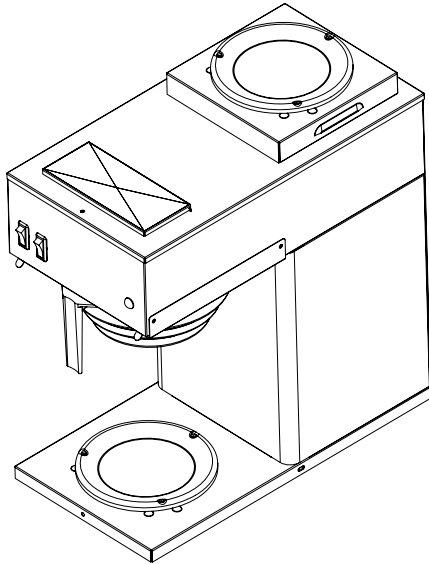




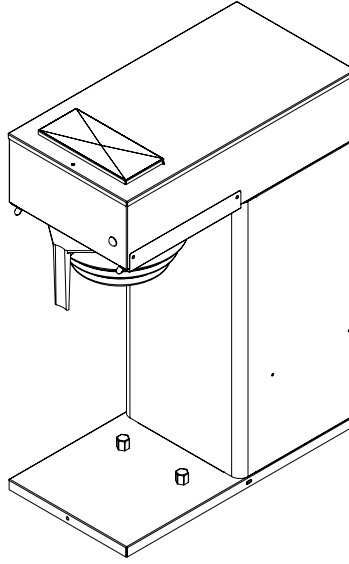
GRINDMASTER™

C O R P O R A T I O N

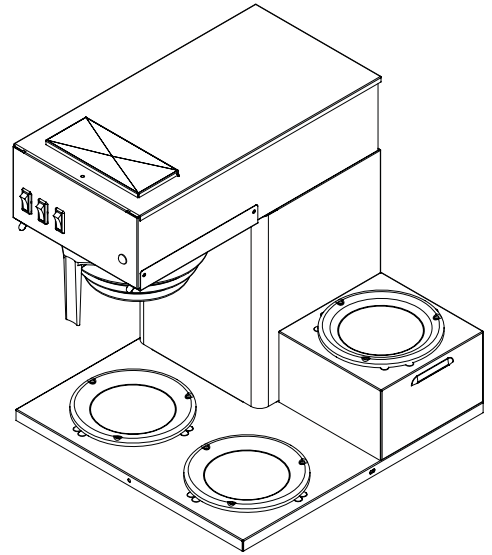
INSTALLATION, OPERATION, AND SERVICE MANUAL



Model BL-2P



Model BA-P



Model BL-3PW

INSTALLATION INSTRUCTIONS

⚠ WARNING - Read and follow installation instructions before plugging or wiring in machine to electrical circuit. Warranty will be void if unit is connected to any voltage other than that listed on the name plate.

FILL BREWER TANK WITH WATER BEFORE CONNECTION TO POWER SUPPLY

- 1) Place the decanter under brew basket, raise top evaporation cover and pour three decanters of water through the top pour-in opening. Water should come through the brew basket as the third decanter of water drains out of the pour-in basin.
- 2) Brewer is shipped with thermostat turned on, (full clockwise position). Plug brewer into a dedicated, grounded 120V/15A circuit.
- 3) Allow 10-15 minutes for water in tank to heat to brewing temperature. (Hot water may drip from brew basket on initial thermal expansion of water in the tank). This will not occur thereafter.
- 4) After water has reached brewing temperature (thermostat will click off, heating noise will stop and green ready light will be on) pour 1 decanter (60 oz.) of water through pour-in opening. More than 1 decanter of water will flow into decanter below brew basket due to water expansion in tank. Machine is now ready to use.
- 5) Pour 1 decanter of water through pour-in opening to check for proper temperature setting with an accurate thermometer. Take the temperature of this water at a point below the brew basket opening at the start of the brew cycle and when the decanter is half full. Recommended temperature of the water is approximately 195°F.
- 6) In higher altitude locations (5,000 feet above sea level) the thermostat may have to be adjusted lower to prevent boiling.

COFFEE PREPARATION PROCEDURES

- 1) Place filter into brew basket.
- 2) Put the proper amount of coffee into the filter.
- 3) Slide the brew basket into holder.
- 4) Place empty decanter on warmer located directly under the brew basket and turn corresponding warmer switch ON.

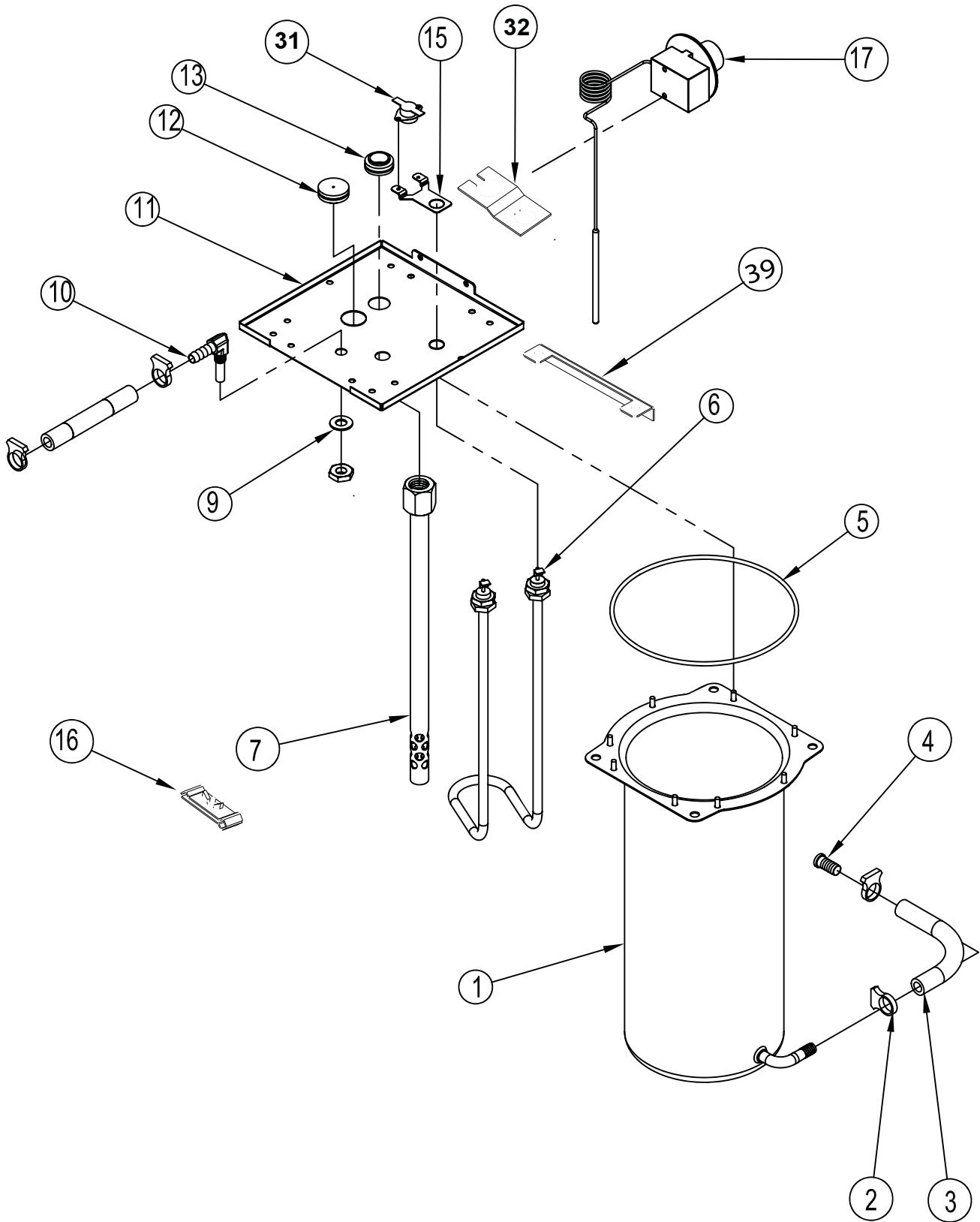
NOTE: For airpots, open airpot lid, remove pump stem from airpot and place airpot opening directly under center hole in brew basket.

- 5) Pour decanter of fresh water through pour-in opening at top of brewer.
- 6) Hot water will be delivered through the sprayhead. This distributes the hot water evenly over the coffee bed within the brew basket. The coffee will drain from brew basket into the container below.
- 7) TURN OFF WARMER WHEN NOT IN USE. (Red light indicates warmer is ON.) Not for airpot brewers.
- 8) Before brewing next pot, remove brew basket from brew rails and dump filter into waste basket.

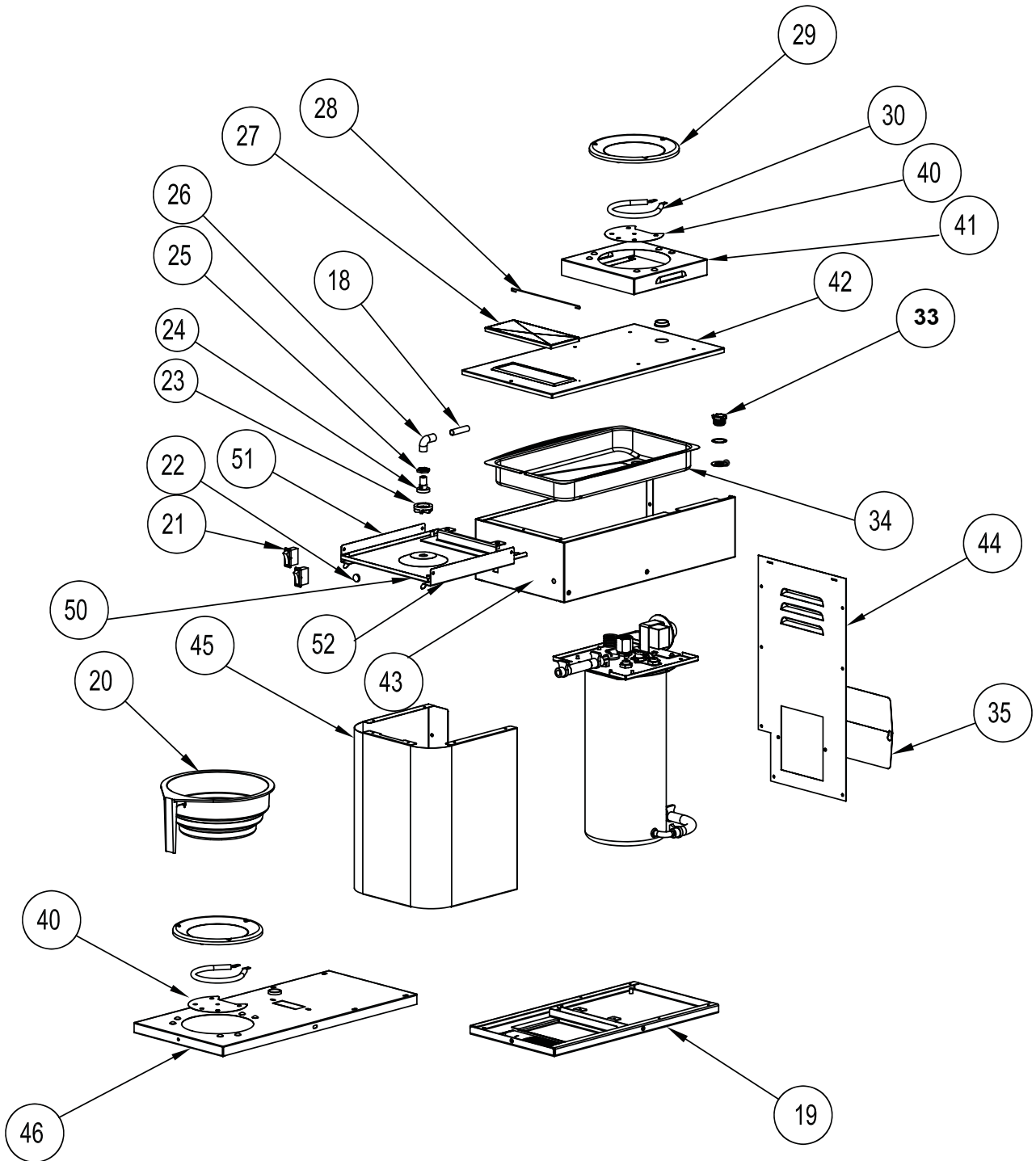
SPARE PARTS LIST

Item No.	Part No.	Description	Item No.	Part No.	Description
1	73035	Water Tank	32	100524	Bracket, Hi-Limit Thermostat
2	07327	Clamp, Black 5/8"	33	73008	Nut Slotted Hex (size M20x1.50)
3	05826	Tubing, 3/8" x 5/8" Silicone	34	73010	Pan, Receiving
4	61232	Plug, 3/8" Barbed	35	73019	Access Panel
5	73057	Gasket, Tank O-Ring	36	73024	Base Cover Panel, BA-P
6	70820	Element, Heating 1400W 120V	37	73027	Airpot Stopper
	70818	Element, Heating 2500W 240V	38	73028	Leg, Support
7	73037	Inlet Tube Assembly	39	73095	Bracket, Tank
11	73032A	Cover, Tank w/ Bracket Thermostat	40	73000	Bracket Warmer
12	71147	Grommet, Thermostat	41	73031	Panel, Warmer Top BL-2P
13	61243	Grommet, Inlet Tube	42	73004	Top Cover SS, BL-2P
15	62238	Bracket, Hi-Limit, 120V	43	73015	Panel, Top Body, BL-2P
16	73096	Thermostat Clip Lock	44	73017	Panel, Back BL-2P
17	73036	Thermostat Regulating	45	73023	Panel, Center SS, BL-2P
20	05911-02K	Brew Basket	46	73029	Panel, Base Cover BL-2P
21	73059	Switch Warmer Lighted 120V	50	73011	Panel, Spray Head Assy
	73058	Switch Warmer Lighted 230V	51	73012	Rail Brew, L.H.
22	62436	Ready Light, Green (120V)	52	73013	Rail Brew, R.H.
	61125	Ready Light, Green (240V)	53	73049	Plastic Jug
23	06491	Deflector, Spray HD	55	73003	Top Cover SS, BA-P
24	06490	Nozzle, SPR HD	56	73014	Panel, Top Body, BA-P
25	07220	Nut, Lock Palnut SPR HD	57	73016	Panel, Back BA-P
26	70341	Elbow, Silicone 90 deg	58	73022	Panel, Center SS, BA-P
27	71607	Panel, Pour-Over Lid	54	73021	Bracket Tank Base, BA-P
28	71529	Wire Hinge, Pour-Over Lid	56	73005	Decal, Main Front BA-P
29	73002	Plate, Warmer		73006	Decal, Main Front, BL-2P
30	13029	Heater, Warmer 120V/100W		73097	Decal, Main Front BL-3PW
31	100523	T-Stat, 1/2" Manual Reset	59	73080	Panel, Base Cover, BL-3PW
	62237	T-Stat, Hi-Limit, 120V	60	73099	Panel, Top Body, BL-3PW

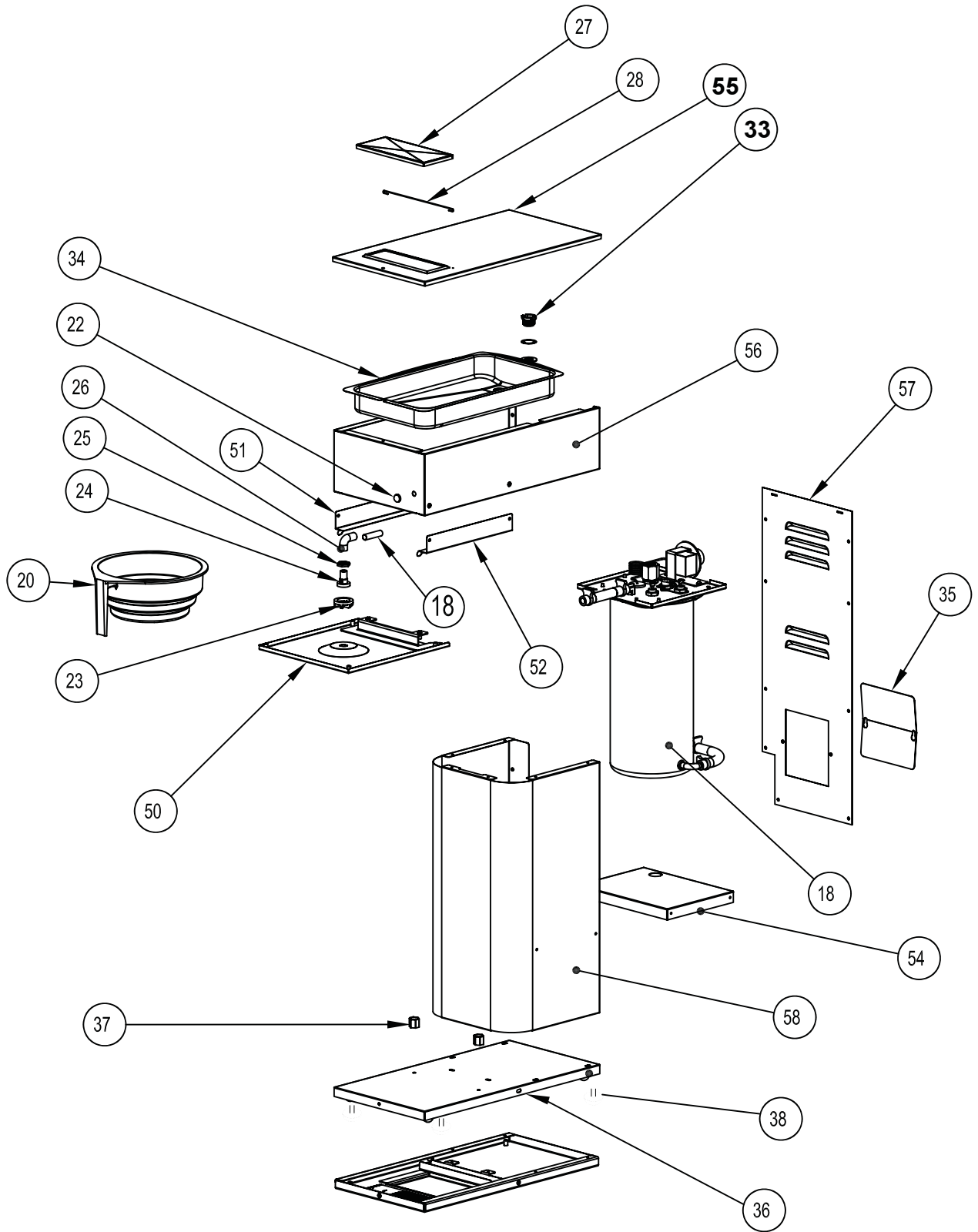
WATER TANK ASSEMBLY



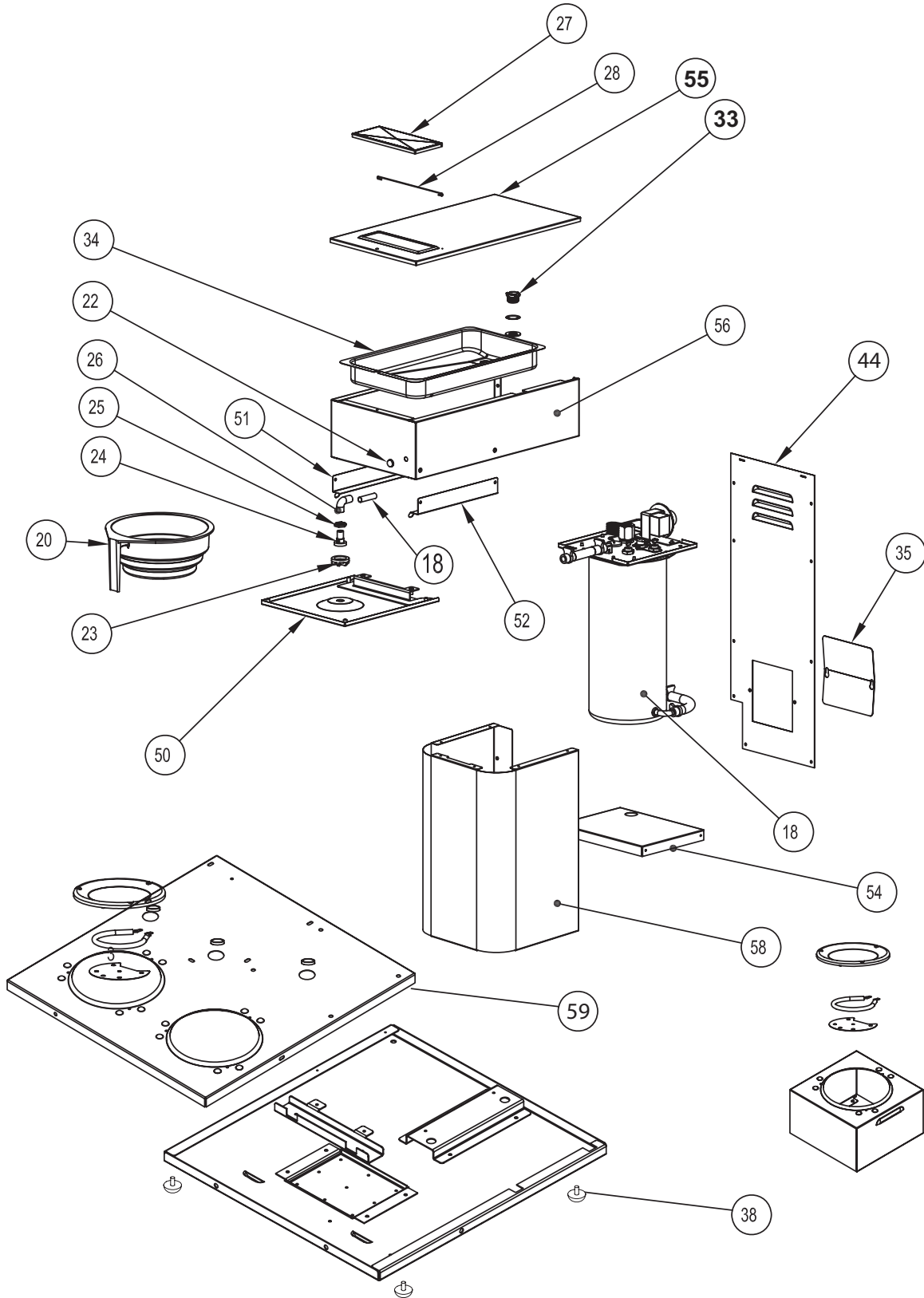
BL-2P PART LIST



BA-P PART LIST



BL-3PW PART LIST



TROUBLESHOOTING GUIDE

Problem	Possible Source	Check	Solution
No Hot Water	<ol style="list-style-type: none"> 1. Tank heater 2. Hi-limit thermostat or main thermostat 	<ol style="list-style-type: none"> 1. Check the voltage at the tank heater terminals. Voltage should be 120VAC. Check serial tag for proper voltage. 2. Check the voltage between the white wire on the tank heater terminal and the incoming terminal (black wire) on the hi-limit thermostat, then the outgoing (black wire) terminal on the hi-limit thermostat. 	<ol style="list-style-type: none"> 1. (A) If correct voltage is present at the tank heater terminals and water is not being heated, replace tank heater. (B) If voltage is not present at tank heater terminals, refer to step 2. (C) If incorrect voltage is present at tank heater terminals, check voltage at outlet. 2. (A) If voltage is present on incoming terminal on the hi-limit thermostat but not on the outgoing terminal, replace hi-limit thermostat. (B) Check voltage between black and white wire on receptacle. If voltage is not present check outlet or circuit breaker. (C) If voltage is not present on incoming terminal of hi-limit thermostat, replace main thermostat.
Steaming or Spitting Around Funnel	<ol style="list-style-type: none"> 1. Main thermostat 2. High altitude 	<ol style="list-style-type: none"> 1. Thermostat contact stuck or out of calibration 2. For altitude above 5,000 feet 	<ol style="list-style-type: none"> 1. (A) Adjust thermostat to lower temperature setting. (B) Thermostat should be calibrated or replaced.
Dripping	<ol style="list-style-type: none"> 1. Not siphoning properly 	<ol style="list-style-type: none"> 1. Water should flow from sprayhead freely 	<ol style="list-style-type: none"> 1. (A) Clean sprayhead holes (B) Check tightness of sprayhead tube. (C) Check brass elbow in tank for debris
Dry Coffee Remaining on Brew Basket	<ol style="list-style-type: none"> 1. Filters 2. Not siphoning properly 3. Improper loading of brew basket 	<ol style="list-style-type: none"> 1. Are correct filters being used 2. Refer to "dripping" step 1 3. Filter and coffee in brew basket 	<ol style="list-style-type: none"> 1. Use correct filter 2. Refer to "dripping" step 1 3. Filter should be centered in brew basket and coffee bed should be level.
Warmer Station	<ol style="list-style-type: none"> 1. Warmer - defective 2. Warmer On/Off switch 3. Bad harness 	<ol style="list-style-type: none"> 1. Voltage at warmer terminals should be 120 VAC. 2. If voltage is not present on warmer terminals, check continuity of switch 3. Check connections between harness and switch, and between switch and warmer. 	<ol style="list-style-type: none"> 1. If voltage is present on terminals, but warmer is not heating, replace warmer. 2. If switch does not make and break continuity when turned on and off, replace switch. 3. All connections should be tight.
Overflowing	<ol style="list-style-type: none"> 1. Receiving container not completely empty at start of brew cycle. 2. Not siphoning properly 	<ol style="list-style-type: none"> 1. Operating instructions 2. Refer to "dripping" step 1. 	<ol style="list-style-type: none"> 1. Always start brew cycle with empty container. 2. Refer to "dripping" step 1.

If you still need help, call an authorized dealer in your area or Grindmaster Corporation's Technical Service Department. You can reach Technical Service at (502) 425-4776 or (800) 695-4500 (USA and Canada only) Monday - Friday, 8:00 AM - 6:00 PM EST.

Please have the model and serial number ready so that accurate information can be given.

Prior authorization must be obtained from Grindmaster Corporation's Technical Service Department for all warranty claims.

COMPONENT REPLACEMENT INSTRUCTIONS

 **WARNING** - Disconnect power before servicing. Risk of electric shock.

These steps apply to replacement of TANK, TANK HEATER, and HI-LIMIT or MAIN THERMOSTAT

1. Remove brewer lid. Disconnect electrical connectors from upper warmer plate if applicable.
2. Remove pour in basin assembly (receiving pan).
3. Disconnect electrical terminals and hoses as needed.
4. Remove front two screws mounting the tank.
5. Lift tank and lid completely out of tank.
6. Remove two rear screws mounting tank to tank lid.
7. Reverse steps 1-6 to reassemble new tank assembly.

THERMOSTAT, HI-LIMIT

1. Disconnect wires to hi-limit thermostat.
2. Remove two screws and remove thermostat.
3. Check continuity of the new hi limit thermostat before installing.
4. Screw down new t-stat and reconnect wires.
5. Make sure the hi-limit thermostat is securely mounted and that all electrical connections are tight and isolated.

MAIN THERMOSTAT

1. Disconnect wires and remove tank and tank lid assembly.
2. Remove two rear screws mounting tank to tank lid.
3. Remove screws which secure thermostat to tank lid.
4. Loosen thumb nut securing capillary bulb.
5. Remove grommet from top of tank lid by pressing up with thumb and pulling capillary bulb out through hole.
6. Reverse steps 1-5 to reassemble new tank assembly.

TANK HEATING ELEMENT

1. Disconnect wires and remove tank and tank lid assembly.
2. Remove two rear screws mounting tank to tank lid.
3. Loosen thumb nut securing capillary bulb and remove bracket.
4. Remove two brass nuts and remove element.
5. Install new element and washers with nuts secured tightly.
6. Inspect tank lid gasket and replace if necessary.
7. Reverse steps 1-3 to reassemble.

WARMER ELEMENT

1. Remove retaining screws from warmer plate.
2. Lift plate and disconnect leads.
3. Remove nuts and washers holding retaining plate and warmer element to plate.
4. Reverse steps 1-3 to reassemble.

Grindmaster Corporation™

Product Warranty for USA

Effective January 1, 2003

New Machines that have been manufactured by or for Grindmaster Corporation and all parts thereof are conditionally* warranted to the original user by Grindmaster Corporation to be free from defects in material and workmanship (existing at the time of manufacture and appearing during the stated warranty period) under normal use and service as follows:

- All Equipment including AMW® unless specified otherwise below: 2 years parts and 1 year labor
- Crathco barrel style freezers: 1 year parts and 90 days labor
- Compressors on refrigerated dispensers: 5 years parts and 1 year labor
- Compressors and evaporator assemblies on Crathco barrel style freezers: 5 years parts and 90 days labor
- Compressors on granita machines distributed by Grindmaster Corporation: 2 years parts, 1 year labor
- Micro-Controller based boards (except granita and Crathco barrel style freezers): 4 years parts and 1 year labor
- Grinding burrs on coffee grinding equipment manufactured by Grindmaster Corporation (does not include espresso grinders or Mahlkoenig grinders): 4 years parts (or 30,000 pounds of coffee - whichever comes first) and 1 year labor.
- Grindmaster Accessories (except glass decanters): 90 days parts only
- B-Series and Space Saver Urns: 2 years parts and 2 years labor.
- Espresso Machines and Distributed Products (Espresso Grinders, Mahlkoenig Grinders): 1 year parts and 1 year labor.
- Restoration Station refurbished equipment: 6 months parts, 90 days labor on work performed

During these warranty periods, Grindmaster Corporation will at its option (and after inspection), repair or replace a defective unit with no charge for parts or bench labor during the applicable parts or labor warranty period, respectively. Grindmaster Corporation's obligation under these warranty periods shall be limited to repairing or replacing any part of said dispenser (excluding plastic parts, rubber parts, light bulbs or normal wear items), which proves defective within the warranty period. These warranty periods run from the date of installation (proof of installation date required), or 6 months following the date of shipment from the Grindmaster Corporation factory, whichever comes first. Bench labor does not include the service agent's travel time, or cost of shipping to and from the service station or factory.

*This warranty is subject to the following conditions, terms and exclusions (for a detailed list see Warranty Addendum):

- Warranty does not apply to machines or any part thereof which have been subject to any accident, abuse, misuse, neglect, alteration, use on incorrect voltage, improper ventilation, damage caused in transit, improper installation or operation, improper maintenance or repair, normal wear items, plastic or rubber parts, poor water conditions, machine adjustments, temporary non-functioning conditions, fire, flood or acts of God;
- Warranty is in lieu of all other warranties expressed or implied. In no event shall Grindmaster Corporation be liable for consequential or incidental damages.
- The model and serial number of the unit (shown on the serial plate) shall be supplied to the service station or factory along with the defective parts of the unit.
- Upon request by Grindmaster Corporation, some warranty parts, (including but not limited to: motors, compressors, micro controlled based boards, gear motors, and burrs) shall be shipped prepaid to the Grindmaster Factory Service Center designated in the RGA confirmation. Upon receipt, Grindmaster Corporation will inspect parts to verify warranty claim is valid. Replacement parts will be billed out when shipped, and then credited on return of a part that is proven to be a valid warranty claim upon inspection by Grindmaster Corporation. Warranty labor will not be paid until warranty claim parts are received and validated by Grindmaster Corporation.
- The buyer shall give prompt notice to Grindmaster Corporation, and must obtain prior authorization from Grindmaster Corporation, for any claim to be made under said warranty via telephone at (800-695-4500) or writing to P.O. Box 35020, Louisville, KY 40232-5020.
- Upon request by Grindmaster Corporation, the defective equipment shall be shipped prepaid to the Grindmaster Factory Service Center designated in the RGA confirmation, or, if requested by Grindmaster Corporation, to an authorized Grindmaster service location.
- **No field, outside or service station work is covered by this warranty without prior authorization by the Grindmaster Service Department.**

The dealers, distributors, employees and agents of Grindmaster Corporation are not authorized to modify this warranty or to add warranties that are binding to Grindmaster Corporation. Neither written nor oral statements by such individuals establish warranties and thus should not be relied upon. This will establish your warranty rights. The purchaser's redress against Grindmaster Corporation for the breach of any obligation arising from the sale of this equipment, whether derived from warranty or elsewhere, shall be limited to repair, replacement or refund at Grindmaster Corporation's discretion.

Grindmaster Corporation™

4003 Collins Lane

Louisville, KY 40245 USA

(502) 425-4776

(800) 695-4500 (USA & Canada only)

FAX: (502) 425-4664

www.grindmaster.com

