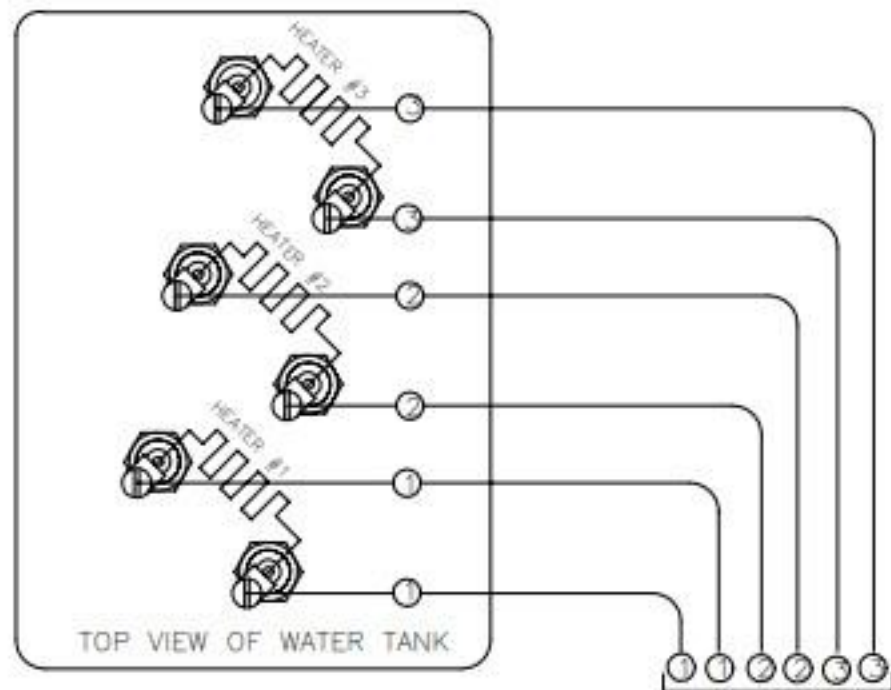
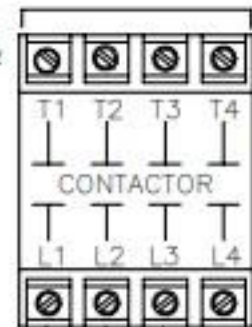


FDD2500-3 3-HEATER WIRING HOOK-UP

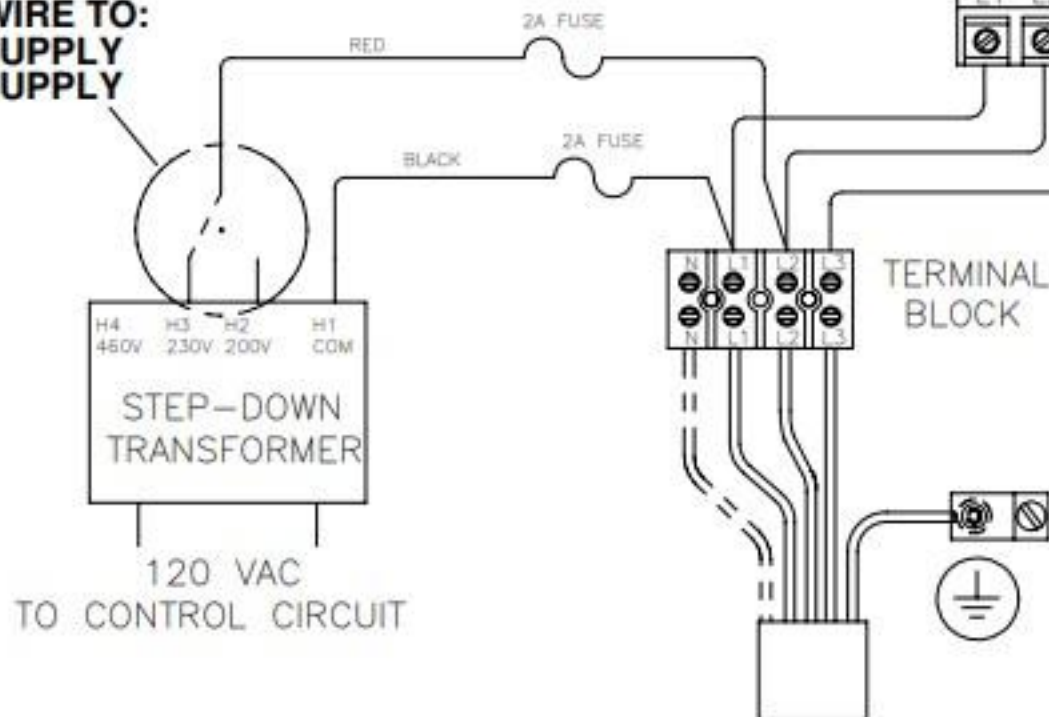
NOTE: MACHINE IS EQUIPPED WITH (3) 3.7kW 240 VAC ELEMENTS WHICH CAN BE CONFIGURED TO ACHIEVE VARIOUS WATTAGE OUTPUTS PER THE CHART BELOW DEPENDING ON POWER SOURCE AVAILABLE.



#10 AWG BLACK HEATER WIRES ARE CONNECTED TO CONTACTOR CONNECTIONS "T1,T2,T3,T4" PER THE CHART BELOW TO ACHIEVE THE SERIAL PLATE VOLTAGE AND WATTAGE CONFIGURATION



**CONNECT RED WIRE TO:
"H2" FOR 208V SUPPLY
"H3" FOR 240V SUPPLY**



(1) 6.6 kW 240 VAC ELEMENT

6.6 kW (28 AMPS) @ 240 VAC (2 WIRE + GND)
5.0 kW (24 AMPS) @ 208 VAC (2 WIRE + GND)

6.6 kW (28 AMPS) @ 120/240 VAC (3 WIRE + GND)
5.0 kW (24 AMPS) @ 120/208 VAC (3 WIRE + GND)

