



GRINDMASTER®

Operator Manual

Grind'n Brew Coffee System®

GNB-10H



Model: GNB-20H

GNB-11H



Model: GNB-21H

GNB-20H



Model: GNB-10H

GNB-21H



Model: GNB-11H



Table of Contents

Safety Information.....	2	Cleaning and Maintenance ..	11
Specifications.....	3	Troubleshooting Guide.....	13
Unpacking	3	Parts Diagram and List.....	16
Installation.....	4	Wiring Harnesses.....	24
Operation	5	Wiring Diagram.....	25
User Settings.....	6		

Thank you for purchasing this quality brewing system. For your safety and the safety of others, read all warnings and the operator manual before installing or using the product. Properly instruct all operators. Keep training records. For future reference, record serial number here:

Grindmaster-Cecilware

4003 Collins Lane, Louisville, KY 40245 USA
Phone: 502.425.4776 Toll Free: 800.695.4500
Fax: 502.425.4664
Web: gmcw.com Email: info@gmcw.com

Grindmaster-Cecilware provides the industry's BEST warranty. Visit gmcw.com for warranty terms and conditions.



Grindmaster Cecilware

Safety Information

Important Safety Information



This is the safety alert symbol. It is used to alert you to potential personal injury hazards. Obey all safety messages that follow this symbol to avoid possible injury or death.

For your safety and the safety of others, read all warnings and the operator manual before installing or using the product.

DANGER: This term warns the user of imminent hazard that will result in serious injury or death.

WARNING: This term refers to a potential hazard or unsafe practice, which could result in serious injury or death.

CAUTION: This term refers to a potential hazard or unsafe practice, which could result in minor or moderate injury.

NOTICE: This term refers to information that needs special attention or must be fully understood.

WARNING

To reduce risk of electrical shock, do not remove side panels. No user-serviceable parts inside. Repair should be done by authorized service personnel only.

The appliance is not intended for outdoor use.

Do not clean with pressurized water or use in an area where pressurized water may be used.

Cleaning and maintenance shall be made only by properly trained persons with supervision.

Do not remove decanter or airpot while product is brewing.

This appliance is not intended for use by persons with reduced physical, sensory, or mental capabilities, or lack of experience and knowledge, unless they have been given supervision or instruction concerning use of the appliance by a person responsible for their safety.

Children should be supervised to ensure that they do not play with the appliance.

Do not alter or deform the power cord or plug in any way! Altering or deforming the plug may cause electrical shock, damage unit, and will void warranty.

To reduce risk of explosion or fire, do not use near combustibles.

CAUTION

Lifting hazard. Single person lift could cause injury. It is recommended that moving or lifting the unit be done by two people to avoid injury.

For safe and proper operation, the appliance must be placed in a stable, vertical position.

To reduce risk of serious burns, or scalding, do not place hand or other body parts under dispenser or container while product is brewing.

Personal injury hazard. Keep fingers, hands, and foreign objects out of hopper.

Always unplug unit from power supply before servicing.

Hot liquid in brew basket could cause burns. Remove with care.

Warmers and surfaces are hot and can cause burns.

NOTICE

Use only on a circuit that is properly protected and capable of the rated load.

Electrically Ground the chassis.

Follow national and local electrical codes.

Do not use extension cord.

Specifications

	SINGLE BEAN MODELS		DUAL BEAN MODELS	
	10H	11H	20H	21H
Dimensions	31" x 9.25" x 24.25"	26.25" x 9.25" x 24.25"	37.5" x 9.5" x 24.25"	32.75" x 9.5" x 24.25"
(H x W x D)	(79 cm x 23 cm x 62 cm)	(67 cm x 23 cm x 62 cm)	(95 cm x 23 cm x 62 cm)	(83 cm x 23 cm x 62 cm)
Electrical	120V / 1710W / 15A / 1 PH	120V / 1810W / 15A / 1 PH	120V / 1710W / 15A / 1 PH	120V / 1810W / 15A / 1 PH
Circuit NEMA	5-15R	5-15R	5-15R	5-15R
No. of Hoppers	1	1	2	2
Hopper Capacity Per Hopper	5.5 lbs 2.5 kg	5.5 lbs 2.5 kg	6.5 lbs 3 kg	6.5 lbs 3 kg
Brew Capacity	0.5 gal 1.9 L	0.5 gal 1.9 L	0.5 gal 1.9 L	0.5 gal 1.9 L
No. of Warmers	0	1	0	1
Weight	65 lbs 29 kg	65 lbs 29 kg	80 lbs 26 kg	80 lbs 36 kg

Features				
Grind n Brew	X	X	X	X
Grind Only	X	X	X	X
Brew Only	X	X	X	X
Half Brew	X	X	X	X
Stainless Casing	X	X	X	X

Unpacking

Unpacking Instructions

Carefully unpack the machine and inspect immediately for shipping damage. The packaging may contain unattached parts. Your machine was shipped in a carton designed to give it maximum protection in normal handling. It was thoroughly inspected before leaving the factory. In case of damage, contact the shipper, not Grindmaster-Cecilware.

Installation

Mechanical Installation

▲ CAUTION: Lifting hazard. Single person lift could cause injury. It is recommended that moving or lifting the unit be done by two people to avoid injury.

NOTICE: This brewer should be installed by a knowledgeable and experienced commercial equipment installer.

Brewer Contents

Your brewer package should include the following:

- 1 Grind'n Brew (either single or dual bean)
- 1 Operation and Instruction Manual (this manual)
- 1 Hose to 1/4" flare fitting (part # 61237)

Tools Required for Installation

- #2 Phillips screwdriver
- 9/16" wrench
- 5/8" wrench (or adjustable wrench)
- 6" level

Note: Other tools may be needed depending on the type of water supply tubing and location.

1. Inspect unit to see if any damage occurred in shipment.
2. Position brewer on counter. Place on sturdy permanent counter top. If you have an airpot brewer, install the 4" (10 cm) plastic legs (included) at the bottom of the brewer. Lean the brewer towards its side to expose screw holes underneath for legs. Adjust the leg height to suit the size of airpots you will use.

NOTICE: Adjust the feet to level the brewer. With bubble level, check to see that the brewer is level on countertop.

Water Hook-up (Refer to Figure A)

NOTICE: This equipment must be installed in compliance with applicable Federal, State and/or Local plumbing codes having jurisdiction. This product requires an approved back flow prevention water device, such as a double check valve, to be installed between the machine and the water supply. Incoming pressure should be greater than 20 psi and not more than 100 psi.

1. The incoming water supply should have a shut-off valve connected in-line. The end should have a female 1/4" flare fitting. Water supply should be a 1/4" I.D. dedicated line branched off a 1" or larger supply line.
2. Prior to installing the brewer, flush out the water line by running approximately 1 gal. (3.8 L) of water into a pail. This will ensure no sediment from a new installation can get in the brewer.

3. Make sure your source water is turned off. Connect the water line's 1/4" female flare fitting (1) to the 1/4" male fitting on the hose connector (2).
4. Make sure Grind'n Brew is unplugged. Connect the water line to the brewer with the hose connector (2).
5. Turn the water valve on, sending water to the brewer. If there are any leaks, tighten connections to stop leakage.

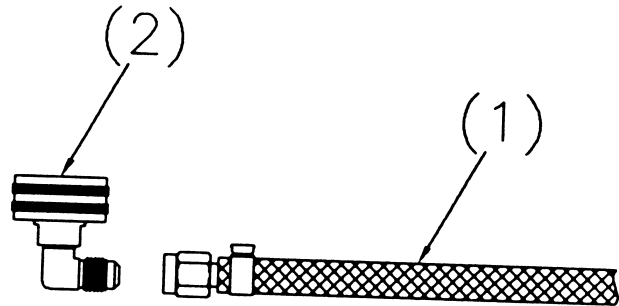


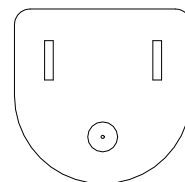
Figure A

Electrical Hook-up and Start-up Procedure (Refer to Figure B)

NOTICE: This equipment must be installed in compliance with applicable Federal, State and/or Local electrical codes having jurisdiction. Do not use extension cords. Make sure that the outlet the brewer plugs into is grounded.

Important: Do not plug the unit in yet. Make sure that the Main Power Switch in the back of the unit is in the Off position before plugging in the brewer.

1. Plug the brewer into an electrical outlet.
2. Make sure the brew basket is inserted in the brew rails.
3. Reach to the back of the brewer and press the white Main Power Switch to the On position. The front control lights will go on, and water will enter the brewer. The tank will fill in 2-3 minutes from the moment the Main Power Switch is turned on.
4. Once the tank is full, it will take 10-15 minutes to heat the water to the brewing temperature. Once the Ready light is lit, you are ready to brew.



NEMA 5-15P
Figure B

Operation

Operating the Touchpad (Refer to Figure C)

1. To select the appropriate bean hopper, press the hopper (left) button until the desired indicator arrow is illuminated.

NOTE: This step only applies to dual bean hoppers.

2. To select a portion size, press the center of the Portion Size (middle) button until the half pot or full pot symbol (depending on your need) is illuminated.
3. The Mode (right) button allows you to select either the "Brew Only", "Grind Only", or "Grind and Brew" feature.
 - a) To grind only, press the center of the Mode (right) button until the grinder symbol is illuminated.
 - b) To brew only, press the center of the Mode (right) button until the coffee cup symbol is illuminated.
 - c) To grind and brew, press the Mode (right) button until both symbols are illuminated together.

Important: Brewers are factory set for throw weight and water portion. Please check that installation is correct before making adjustment. No adjustments should be necessary for normal installation.

Brewing

Important: Brewers are factory set for the correct grind and brew times for average situations. You should not need to make adjustments in the field.

1. Make sure that a new paper filter is in the brew basket and the brew basket is in place in the brewer.
2. Place beans in the hopper.
3. Choose to "Grind and Brew". Press the far right touchpad so "Grind and Brew" lights are lit.
4. Choose the Portion Size. Press the middle touchpad until desired volume is lit.

5. Choose Decaf or Regular coffee (only applicable to dual bean Grind'n Brews). Press left touchpad. Arrow will either point left or right for Decaf or Regular.
6. Place a decanter or airtop under the brew basket, depending on the model.
7. Press Start and the brewing cycle will begin.
8. You will see the coffee bean level go down slightly. You will hear the coffee grind. Coffee is automatically ground, portioned and placed in brew basket. Then ground coffee is automatically brewed. The Ready light will now blink, indicating that grinding and brewing are in progress. This will take 3-4 minutes for a 1/2 gal. (1.9 L) pot. Portions are factory set. A stop function is added to the start switch. When this switch is depressed, it allows the unit to stop during the selected grind, brew, or grind and brew functions.

After brewing a pot, the tank must reheat. Reheat time is 5 1/2 - 8 minutes for 120V brewers. Remember that the brewer function is disabled until the Ready light is on, indicating that the water is hot enough to brew. A flashing green light indicates that the brewer is reheating or that there is a cycle in progress. Do not remove the brew basket while the light is flashing. **The brew basket must be removed before a new brew can be initiated.** This feature ensures that the operator discards the old coffee grounds and installs a new coffee filter.

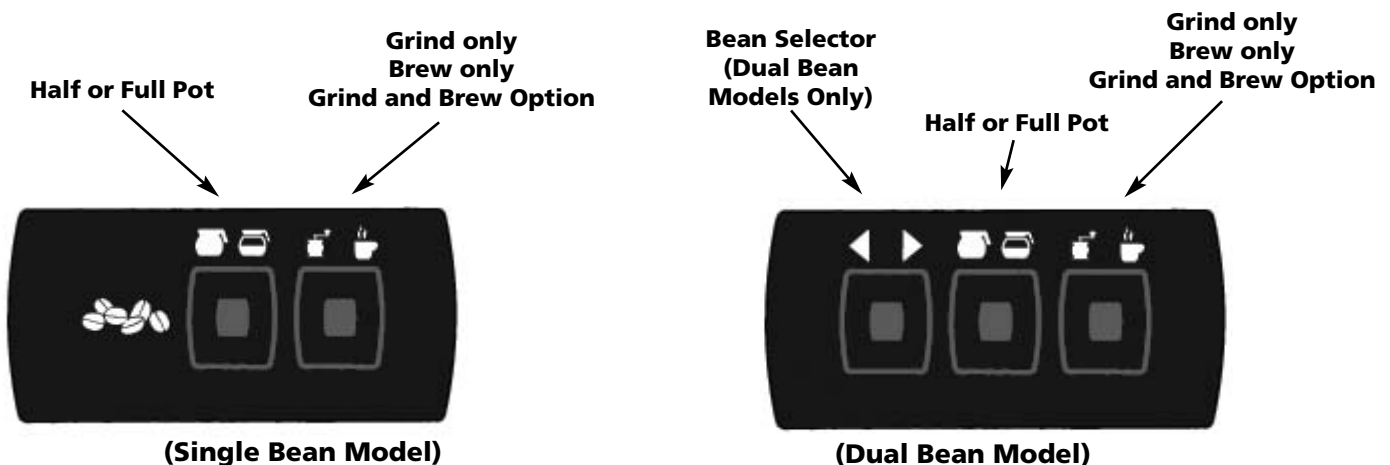


Figure C

Operation (continued)

Bean Counter

The built-in bean counter measures relative usage of its Grind'n Brew® machine by totaling the amount of seconds the augers have fed beans into the grinder. This number directly correlates to the amount of beans used by the machine.

Depending on model, the bean counter is either always shown or hidden to the user.

The **Bean Counter Menu** is accessed by holding the *UP* and *DOWN* keys for 5 seconds. If the counter is normally hidden, it will be shown here. The user can reset the counter through this menu. Pressing the *SET* button will display "REs" and the user can select "YES" or "no" with the *UP* and *DOWN* keys. Pressing the *SET* key finalizes the selection. This menu times out after 10 seconds and is disabled by the **User Lockout Jumper**.

User Settings

The Grind'n Brew® has several factory-set options that can be modified by the user. These are divided into two categories: Universal Settings or Brew Settings. Universal Settings pertain to the whole unit, and Brew Settings pertain to one of the four available brew cycles – (Regular Full, Regular Half, Decaf Full, and Decaf Half). All settings are retained during a power loss. The original factory settings can be restored by using the **System Restore Function**.

Universal Settings	Brew Settings x 4
Temperature Scale	Auger Time
Water Temperature	Pulse Brew Pulses
Low Temp No Brew Enable	Pulse Brew Pour Time
	Pulse Brew Delay Time
	Brew Time

Pre-Infusion and Pulse Brew Cycle

Pulse Brewing is a feature that increases the control and performance of the Grind'n Brew® machine. By pulsing water during the brew cycle, you allow greater contact time and better extraction of the coffee. Ultimately you will achieve a bolder and more consistent cup of coffee by using this feature.

If pulse brewing is selected, the unit will brew the number of pulses identified by the **Pulse Brew Pulses** setting. Each pulse is identical. It will begin by dumping water for the **Pulse Brew Pour Time** and then wait for the **Pulse Brew Delay Time**. This will repeat until all pulses are finished.

Once the pulses are complete, the unit will pour water for the remaining **Brew Time**. **Brew Time** is the total

amount of time water is poured over the coffee grinds. **Pulse Brew Pour Times** are included in this total. **Pulse Brew Delay Times** are not included. The cycle will always stop pouring once the **Brew Time** is met, regardless of whether this happens in the middle of pulse brewing.

Drip Time is half of the **Brew Time**. However, the **Drip Time** will never be greater than 1 minute, 30 seconds.

Pre-Infusion Controls - The first on cycle and the first off cycle. Independent of pulses.

User Menu

The **User Menu** is accessed by pressing the *SET* key on the display board. Navigation is accomplished by pressing the *UP*, *DOWN* and *SET* keys. Feedback to the user is shown by the 3-digit numerical display.

The **User Menu** exits after a 1 minute timeout or all modes are stepped through. This menu is disabled by the **User Lockout Jumper**.

Brew Settings - Brew Cycle Selection

There are four independent settings for brew cycles: Regular Full Brew, Regular Half Brew, Decaf Full Brew, and Decaf Half Brew. The **User Menu** adjusts settings for the brew cycle selected by the keypad. For instance, if you want to change settings for Decaf Half brew, then set the keypad to the Decaf Hopper and Half Brew Size before entering the **User Menu**. The keypad settings cannot be changed while the **User Menu** is displayed.

User Menu Navigation

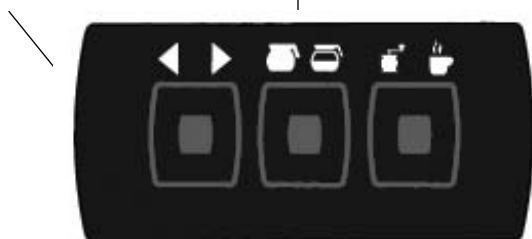
Advancing through the menu is done by pressing the *SET* Key. Each parameter is adjusted by pressing the *UP* and *DOWN* keys. Pressing and holding the *UP* and *DOWN* keys will quickly scroll through settings. The table on the next page shows how to step through this menu.

User Settings (continued)

User Menu Chart

Step	Setting	Display	Adjustments
1	Temperature Scale between °F or °C	Displays the current selection. Factory default is “°F”	“°F” or “°C”
2	Water Temperature setpoint in °F or °C	Displays the current selection. Factory default is “195” in °F or “91” in °C.	“170” to “205” °F “77” to “96” °C
3	Show Auger Time the amount of coffee beans fed into the grinder	“At”	None
4	Set Auger Time the amount of coffee beans fed into the grinder	Displays the current selection depending on Brew Cycle	“0.1” to “45.0” seconds
5	Show Brew Time Total amount of pour time for the brew cycle	“br”	None
6	Set Brew Time Total amount of pour time for the brew cycle	Displays the current selection depending on Brew Cycle	“0.01” to “6.00” in minutes.seconds
7	Show Pre-Infusion on	“Pre-Infusion on”	None
8	Set Pre-Infusion on time	Displays the current selection of on time	“Off” to “2.00” minutes
9	Show Pre-Infusion off	“Pre-Infusion off”	
10	Set Pre-Infusion off time	Displays the current selection of off time	“5 seconds” to “1 minute”
11	Show Pulse Brew	“P-b”	None
12	Pulse Brew Pulse Number sets the number of pulses in the brew cycle	Displays the current selection depending on Brew Cycle	“OFF” to “10”
13	Pulse Brew Pour Time sets the amount of pour time in each pulse	Displays the current selection depending on Brew Cycle	“0.05” to “1.00” in minutes.seconds
14	Pulse Brew Delay Time sets the amount of delay time between each pulse	Displays the current selection depending on Brew Cycle	“0.05” to “1.00” in minutes.seconds
15	Show Low Temp No Brew	“Ltn”	None
16	Set Low Temp No Brew enable or disable	Displays the current selection. Factory default is “YES”	“OFF” or “ON”

Bean Selector (Dual Bean Models Only) Half or Full Pot Grind only
Brew only
Grind and Brew Option



(Dual Bean Model)

The settings selected on the touchpad directly correspond to what is being adjusted on the display.

User Settings (continued)

Brew Volume Setting Menu

This feature sets the brew time based on water volume of a desired container. Before using this feature, remove the brew basket, remove the spray head and place the desired container in place underneath the brewer.

The **Brew Volume Setting Menu** is started by selecting a brew cycle and holding in the *START* switch for 5 seconds. The display will show "Pro" at this time. Again press the *START* switch, and water will begin dispensing into the container. The display shows a **Brew Time** count at this time. When satisfied with the water level, again press the *START* switch. At this point the **Brew Time** flashes on the display for 20 seconds. Press the *START* switch again within the 20 seconds to accept the new **Brew Time**. No changes will be made if the **Brew Time** is not confirmed in this last step.

There are four independent brew times in the unit. The set **Brew Time** is the cycle shown on the keypad. The keypad cannot be modified while setting the brew volume. This feature is disabled by the **User Lockout Jumper**.

System Restore Feature

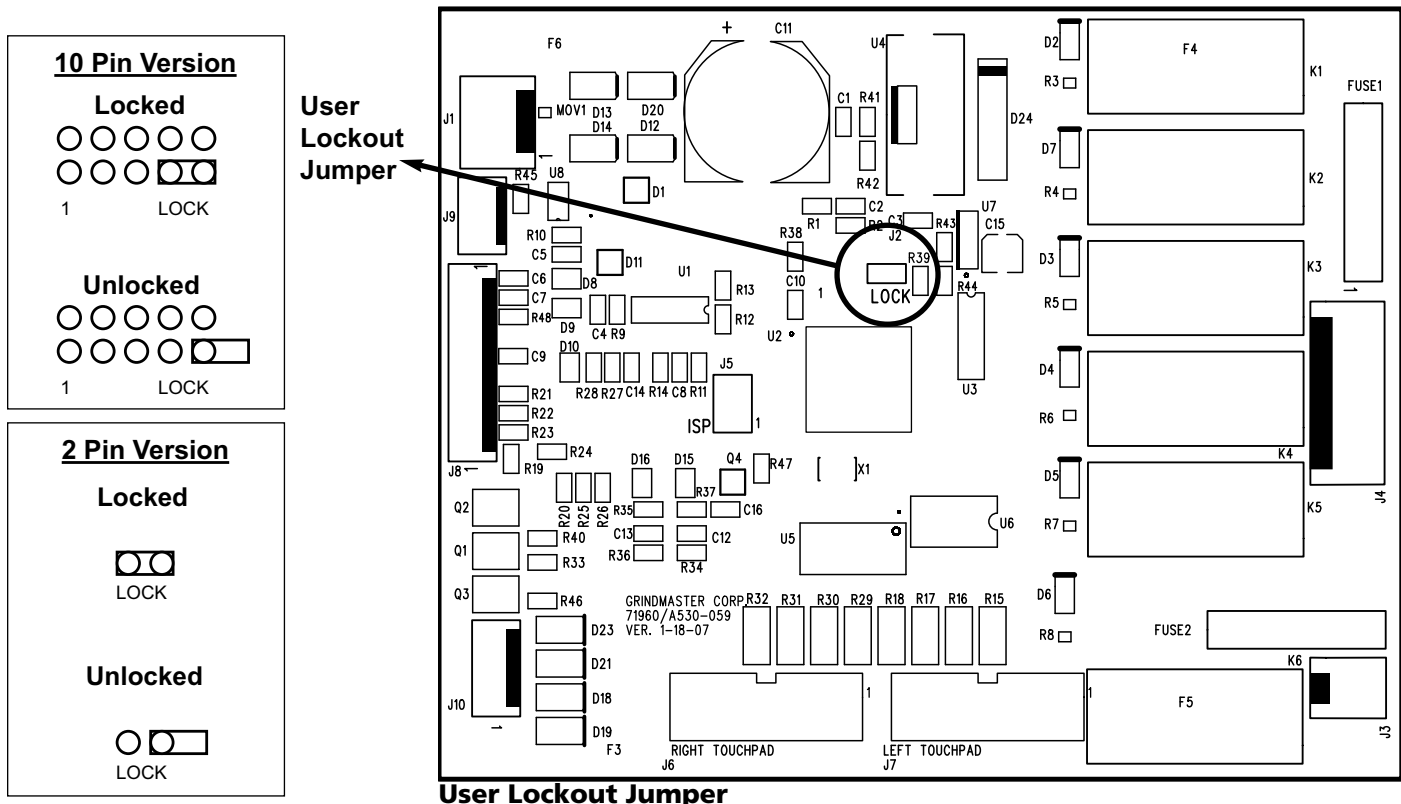
This function will restore a Grind'n Brew® unit to its original factory settings. To activate system restore, power on the unit while holding in the *DOWN* button.

Continue holding the *DOWN* button and the display will scroll "rESTorE" to indicate that a system restore is about to happen. If the *DOWN* button is released at this point, the restore is cancelled. If the button hold is continued, the display will scroll "donE" to show completion of a system restore.

Upon a successful restore, the original factory settings will override all changes. The bean counter is not affected.

User Lockout

User Lockout is achieved via the position of the LOCK jumper on the board header. Locate the header on the board (shown below) and place the jumper in the desired position. In the Locked position all menus in this document are locked out, and the unit will only allow brewing or grinding functions. There are two versions of the header, 10 pin and 2 pin. Both configurations are shown below.



User Settings (continued)

Factory/Field Test Menu

This menu is intended to check product functionality both at the end of the factory line and in the field. This mode is entered by pressing and holding the *DOWN* key on the display board and Full/Half key on the keypad for 10 seconds. Once the menu is entered, the unit will start with an LED test that lights all LEDs and segments on the display. Navigation is done just like the User Menu. Refer to the table below for operation. Field Test Mode exits after stepping through all modes only – there is not a timeout.

Step	Function	Operation	Description
1	LED Test	All LEDs ON	Verify that all LEDs turn on.
2	Firmware Version	Display firmware version	Shows the software version of the control.
3	Date Code	Display date code/serial ID	Not used with Grind'n Brew®
4	Non Resetable Bean Counter	Scroll non-resetable bean counter	Shows the total number of seconds the grinder has been grinding (non-resetable)
5	Configuration Inputs	Each digit of the display corresponds to a configuration input. The input is either "0" - disabled or "1" - enabled.	Highest Digit (left most): "1" - Double Hopper; "0" - Single Hopper Middle Digit (center): "1" - Always show bean count; "0" - Don't show bean count Lowest Digit (right most): "1" - Grind'n Brew® Model; "0" - Grind Only Model
6	Display Water Temperature	Show averaged A/D (Analog/Digital) reading of temperature	Show the current temperature in °F of the thermistor
7	Display Water Level 1	Show averaged A/D reading of water level 1	If > 500 water level full, If < 500 water level not full
8	Display Water Level 2	Show averaged A/D reading of water level 2	Not used with Grind'n Brew®
9	Show Input	Display scrolls "InPut"	Input Test Mode
10	Input Test	Press each key and the display will show a number related to that key	Hopper Button: 12 Size Button: 10 Grind/Brew Button: 8 Down Button: 0 Up Button: 2 Start Switch: 16 Basket Out Switch: 17 Select Button: advances Factory Test to Step 11
11	Show Output	Display scrolls "outPut"	Output Test Mode
12	Output Test	Turns on each relay separately. Displays "O##" where: ## = 2 digit output number IMPORTANT: Each output will be turned ON when its number is on the display REGARDLESS of temperature or fill level. Be CAREFUL not to overfill the tank and keep electric items out of the way of the brew channel.	Scroll through relay outputs with the UP and DOWN keys. Outputs are as follows: O01: Fill Valve O02: Brew Valve O03: N/A O04: Left Auger Motor O05: Right Auger Motor O06: <i>not used</i> O07: Heater O08: Grinder Motor O09: Basket Out Light O10: Ready Light

User Settings (continued)

Timer Settings

A standard 64 oz. bottle Grind'n Brew

	Setting Single Bean	Approx. yield	Setting Dual Bean	Approx. yield
Single/Left Full Pot	4.2 sec.	2 oz.	5.7 sec.	2 oz.
Right Full Pot	-	-	5.7 sec.	2 oz.
Single/Left Half Pot	2.4 sec.	1.25 oz.	3.0 sec.	1.25 oz.
Right Full Pot	-	-	3.0 sec.	1.25 oz.
Full Pot	112-125 sec.	62 fl oz.	112-125 sec.	62 fl oz.
Half Pot	56-63 sec.	31 fl oz.	56-63 sec.	31 fl oz.

All Airpot Grind'n Brews

	Setting Single Bean	Approx. yield	Setting Dual Bean	Approx. yield
Single/Left Full Pot	4.5 sec.	2.3 oz.	6.2 sec.	2.3 oz.
Right Full Pot	-	-	6.2 sec.	2.3 oz.
Single/Left Half Pot	2.7 sec.	1.4 oz.	3.7 sec.	1.4 oz.
Right Full Pot	-	-	3.7 sec.	1.4 oz.
Full Pot	140-153 sec.	72 fl oz.	140-153 sec.	72 fl oz.
Half Pot	70-77 sec.	36 fl oz.	70-77 sec.	36 fl oz.

- Increase of 1 sec. to timer setting equates to an increase in fluid volume by 1/2 oz (15ml).
- Decrease of 1 sec. to timer setting equates to a decrease in fluid volume by 1/2 oz (15ml).

Component Counter Display

To enter counter displays press and hold the middle and right buttons of the user interface.

To move to next setting press and release left button on user interface.

To reset the counter, press and release the down button on the programming interface.

Step	Setting	Display
1	Fill Valve Time	"FIL"
2	Display Time	Time displayed in minutes
3	Brew Valve Time	"Br"
4	Display Time	Time displayed in minutes
5	Shutter Solenoid Time	"SHt"
6	Display Time	Time displayed in minutes
7	Shutter Solenoid Cycles	"SHC"
8	Display Time	Time displayed in minutes
9	Left Auger Time	"A-L"
10	Display Time	Time displayed in minutes
11	Right Auger Time	"A-R"
12	Display Time	Time displayed in minutes
13	Heater Time	"Htr"
14	Display Time	Time displayed in minutes
15	Grinder Time	"Grn"
16	Display Time	Time displayed in minutes

Setting the Grind (Refer to Figure D)

Tools Required: #2 Phillips screwdriver, 7/8" box wrench, large flat blade screwdriver

1. Remove front decal panel by removing screw on underside of panel and 2 screws on both sides of panel.
2. Loosen adjusting screw lock nut by turning counter clockwise.
3. Turn slotted adjusting screw clockwise to make the grind coarser or counter clockwise to make the grind finer. Generally, a 1/8 to 1/4 turn will provide the desired adjustment.
4. After adjustment has been made, re-tighten the adjusting screw lock nut.
5. Visually inspect the grind adjustment with a small portion of coffee and readjust if necessary.
6. Reinstall the front decal panel.

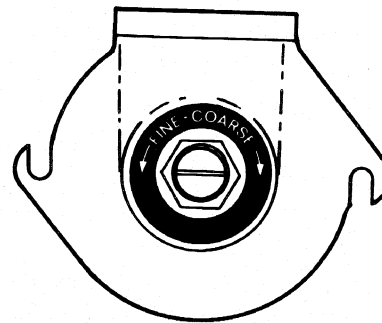


Figure D

Water System Errors

There are four system errors that can be detected by the microprocessor. These errors are:

Er1 Water Fill Error – the water full detection has failed, and the fill valve has been on for at least 5 minutes.

Er2 or **Er3** Thermistor Error – the Thermistor is detected either open, shorted OR the water is boiling.

Er4 Heater Error – the heater has been on for 3 minutes, but no rise in water temperature was detected.

If any of these errors are detected, the unit will shut off all water fill and heat related functions. Brewing is disabled, but grinding is still allowed. The display will show the error when the unit is idle. To clear any error, the user can hold in the *UP* key for 5 seconds, reset power to the unit, or enter field test mode.

Cleaning and Maintenance

Daily Cleaning

Cabinet: The outside of the machine can be cleaned with a damp cloth, a household dusting spray, or a stainless steel cleaner. Do not use any abrasive such as Scotchbrite or Brillo pads. These may mar the finish.

Wipe the underside of the cabinet hood with a clean cloth. Be especially careful when using soap or detergent around the spray head. Any soap left on the deflector may give an unpleasant taste to the first brews.

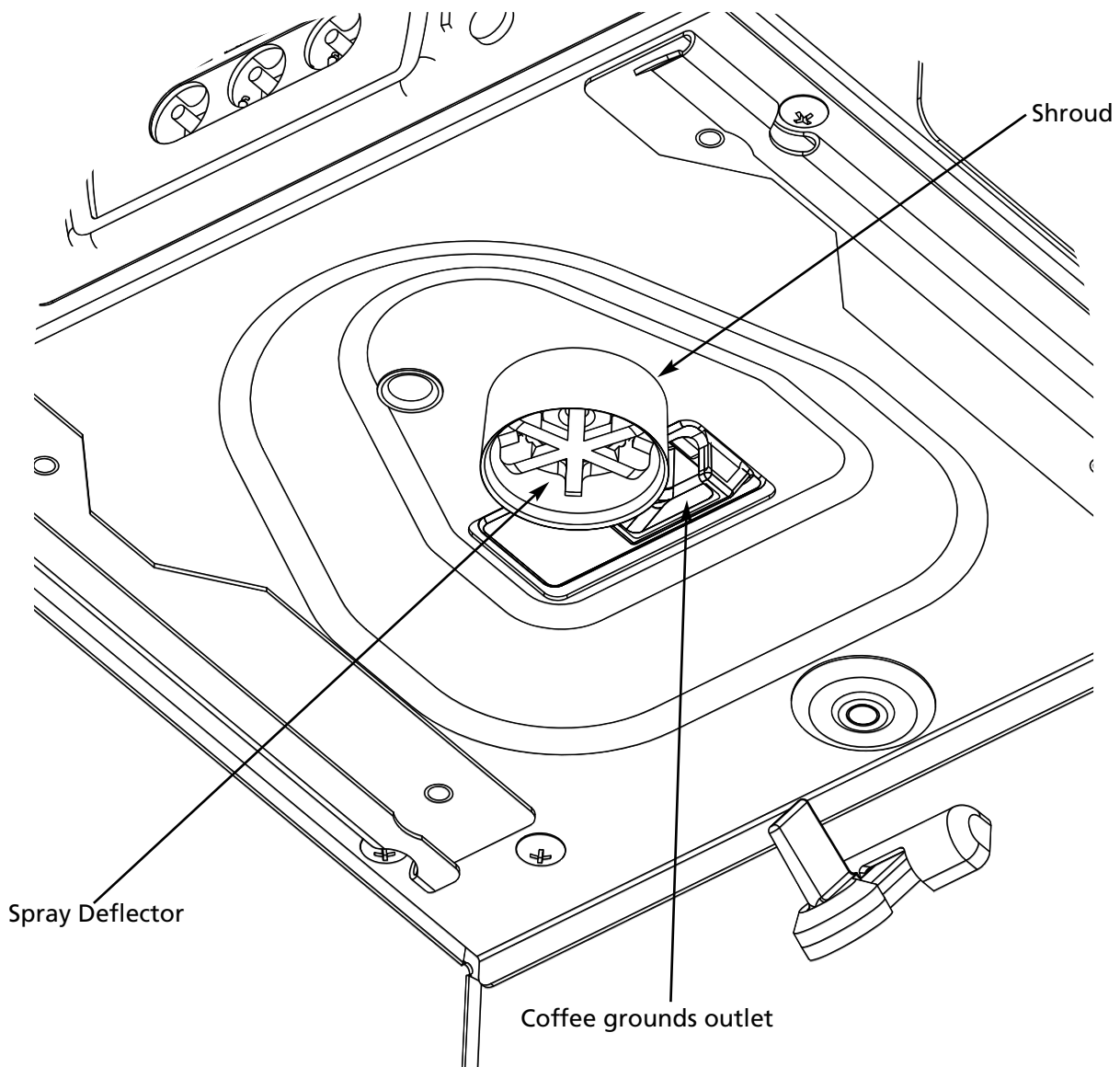
Warmers: The warmer plate is easy to clean and will maintain its appearance longer if cleaned regularly. Coffee stains can be wiped off with a damp cloth. Use detergent or sanitizer for heavy deposits, but refrain from using abrasives.

Weekly Cleaning

Coffee Grounds Outlet: Using a clean, dry cloth, wipe area around spray deflector (see below) and coffee grounds outlet.

Using a clean, dry stubby brush, clean up inside of the coffee grounds outlet.

Brew Basket, Airpots, and Decanters: Use commercial grade urn cleaner (as directed by manufacturer) and rinse thoroughly.



Cleaning and Maintenance (continued)

Shear Plate Replacement (Refer to Figure E)

Tools Required: #2 Phillips screwdriver, large flat blade screwdriver

1. Unplug the machine.
2. Remove the front panel. Shut off the bean flow to the grinder. Single bean units require you to pull the bean shut-off valve forward. Dual bean units require you to push the bean shut-off valve back into the slots in the hopper.
3. Remove the hopper cradle. Remove the two screws in the front, lift the front of the cradle, and slide cradle back about an inch to disengage the hopper clips. Then lift the hopper cradle assembly off of the machine.
4. Remove the spray head. First remove the spray deflector by spinning it clockwise. Second, pull the spray nozzle away from the mounting sheet.
5. Remove the grind cap by loosening the 2 screws and rotating the grind cap away from the screws.
6. Pull out the revolving burr and feedworm assembly. The sweeps on the revolving burr and feedworm assembly must line up with the cut outs on the grind head.
7. Remove the shear cap and broken shear plate.
8. Slide the rotating burr onto the motor shaft, aligning up the sweeps with the cutouts on the grind head. Rotate the burr so that the burr is held back into the burr pocket by the sweeps on the grind head lip. Slide the drive coupler into place. Rotate the slot on the drive coupler with the feedworm. Insert a new shear plate.
9. Reassemble the remaining components in reverse order of disassembly.

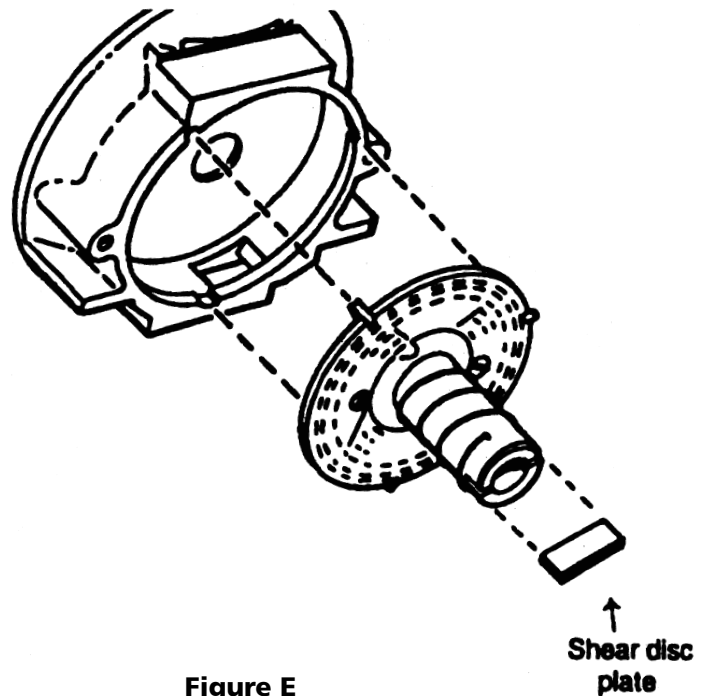
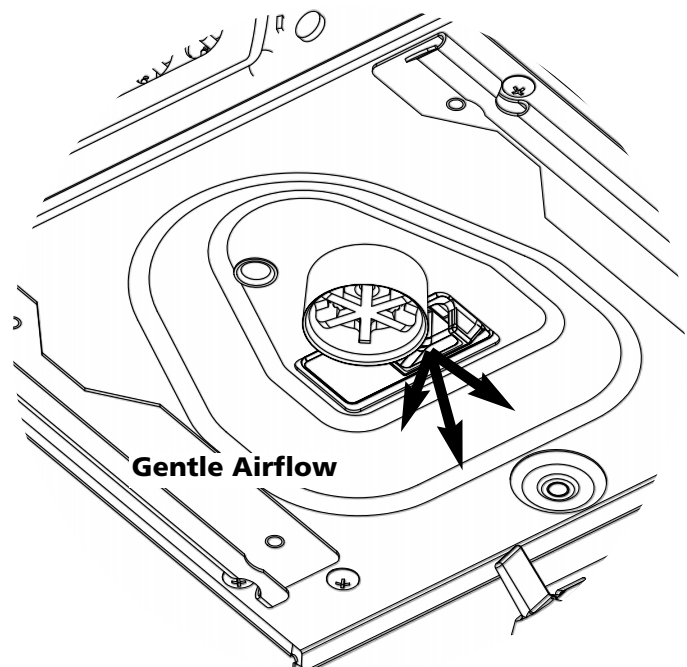


Figure E

Air Shutter Operation

The air shutter feature on the Grind'n Brew® prevents moisture from entering the grinding chamber and delivery chute. A gentle airflow exiting the grinding port as shown indicates proper function of the air shutter. Lightly moistening your hand before checking the airflow will help in the detection of the gentle airflow.



Troubleshooting Guide

▲ WARNING: To reduce the risk of electrical shock, unplug the dispenser power cord before repairing or replacing any internal components of the unit. Before any attempt to replace a component, be sure to check all electrical connections for proper contact. Only a qualified service technician should perform electrical and mechanical adjustments or repairs.

Before you call for help, please read the following:

PROBLEM	POSSIBLE CAUSE	SOLUTION
Weak coffee	<ul style="list-style-type: none"> • Not enough coffee used. • Grind is too coarse. • Water not hot enough. • Too much water used (half brews). • Coffee bed has dry areas. • Spray deflector broken or missing. 	<ul style="list-style-type: none"> • Set to portion more coffee. • Readjust grind to a finer grind. • Check spray temp, should be greater than 185°F (85°C). • Adjust brew time at the controller. • Replace.
Strong coffee	<ul style="list-style-type: none"> • Too much coffee used. 	<ul style="list-style-type: none"> • Readjust coffee portion.
Bitter coffee	<ul style="list-style-type: none"> • Grind is too fine. 	<ul style="list-style-type: none"> • Coarsen grind setting.
Grounds in coffee	<ul style="list-style-type: none"> • Paper filter collapsed during brewing. 	<ul style="list-style-type: none"> • Use proper filter.
Brew basket overflowed	<ul style="list-style-type: none"> • Too much coffee. • Coffee ground too finely. • Double batching. 	<ul style="list-style-type: none"> • Use no more than 3 1/2 oz. (28 gm) of coffee. • Coarsen grind. • You must dump old coffee and use fresh new filter for each brew.
Unpleasant taste	<ul style="list-style-type: none"> • Water tank or brew basket needs cleaning. 	<ul style="list-style-type: none"> • Clean, sanitize (de-lime). • Refer to Regular Maintenance section.
Brewer will not brew	<ul style="list-style-type: none"> • Basket has not been changed. 	<ul style="list-style-type: none"> • Remove basket, replace filter, reinstall.
Grinder will not start when start button is pushed	<ul style="list-style-type: none"> • Main power switch turned off. • No power to outlet. • Basket out. • Circuit breaker has tripped. • Basket has not been changed. 	<ul style="list-style-type: none"> • Turn main power switch, on located on back of unit (left side from front) on. • Check outlet with lamp or radio to verify outlet has power. • Ensure basket is in position. • Reset circuit breaker (located on back of unit) by pushing the reset button in until you hear a click. • Remove basket, replace filter, reinstall.
Grinder runs or hums but no coffee is dispensed	<ul style="list-style-type: none"> • Shear disc is broken. • Obstruction in opening of auger assembly (on dual bean units). • Obstruction in opening to grinding chamber. • Blown fuse on controller board (Dual bean only). 	<ul style="list-style-type: none"> • Replace shear disc. See Shear Disc Replacement section. • Remove hopper and clear obstruction. • Remove hopper and clean obstruction. • Check for blown fuse and replace with 5 Amp fuse.

Troubleshooting Guide (continued)

▲ WARNING: To reduce the risk of electrical shock, unplug the dispenser power cord before repairing or replacing any internal components of the unit. Before any attempt to replace a component, be sure to check all electrical connections for proper contact. Only a qualified service technician should perform electrical and mechanical adjustments or repairs.

PROBLEM	POSSIBLE CAUSE	SOLUTION
Grinder chute clogs	<ul style="list-style-type: none"> • Air shutter fan is not operational. • Air shutter fan is installed backwards; Air flow must be directed out of the grinder chute to prevent moisture from entering grinder chute. 	<ul style="list-style-type: none"> • Confirm that fan is operational by observation after removal of the right side panel access plate. • Ensure fan is installed with arrow pointing toward the grind head to allow air to be directed into the brew funnel.
Quantity of coffee dispensed each throw is not the same	<ul style="list-style-type: none"> • Defective timer in controller. • Obstruction. 	<ul style="list-style-type: none"> • Check the length of time grinder runs with watch. • Remove upper assembly and clean obstruction.
Circuit breaker continuously trips	<ul style="list-style-type: none"> • Insufficient current due to use of extension cord. • Insufficient current due to overloaded line. 	<ul style="list-style-type: none"> • Plug unit directly into outlet. Do not use extension cord. • Designate single line for unit. Do not use multi outlet box.
Basket Out light flashing (Display board displays "ER1")	<ul style="list-style-type: none"> • Water fill valve on too long. • Water supply turned off. 	<ul style="list-style-type: none"> • Clean or replace water fill valve. • Turn water supply on.
Basket Out light flashing (Display board displays "ER2 or ER 3")	<ul style="list-style-type: none"> • Problem with Thermistor. 	<ul style="list-style-type: none"> • Replace if defective.
Basket Out light flashing (Display board displays "ER4")	<ul style="list-style-type: none"> • Heater Relay failed. • Contactor Failed. • Heater Failed open. 	<ul style="list-style-type: none"> • Hi Temp failed. • Control Board output failed. • Replace defective component.
Water not hot enough	<ul style="list-style-type: none"> • Thermistor not set high enough. • Defective thermistor. 	<ul style="list-style-type: none"> • Reprogram thermistor / temp settings. • Replace Thermistor.
Water boiling (or steaming)	<ul style="list-style-type: none"> • Thermistor set too high. • Defective thermistor. 	<ul style="list-style-type: none"> • Reprogram thermistor / temp settings. • Replace Thermistor.
Start switch not working (Basket Out light illuminated)	<ul style="list-style-type: none"> • Brew basket out of place. 	<ul style="list-style-type: none"> • Replace basket.
No lights on (Including Warmer light)	<ul style="list-style-type: none"> • No power to brewer. • Power switch turned Off. 	<ul style="list-style-type: none"> • Turn power on. • Turn switch on.
No touch pad lights (other lights o.k.)	<ul style="list-style-type: none"> • Touch pad disconnected. 	<ul style="list-style-type: none"> • Reconnect touch pad.
Too much or not enough water in decanter	<ul style="list-style-type: none"> • Water time adjustment. 	<ul style="list-style-type: none"> • Readjust.
Spray head dripping	<ul style="list-style-type: none"> • Lime build up in dump valve. 	<ul style="list-style-type: none"> • Delime unit.
Hot water spigot dripping	<ul style="list-style-type: none"> • Faulty seal. 	<ul style="list-style-type: none"> • Replace seal.

Troubleshooting Guide (continued)

▲ WARNING: To reduce the risk of electrical shock, unplug the dispenser power cord before repairing or replacing any internal components of the unit. Before any attempt to replace a component, be sure to check all electrical connections for proper contact. Only a qualified service technician should perform electrical and mechanical adjustments or repairs.

PROBLEM	POSSIBLE CAUSE	SOLUTION
Hot water spigot not dispensing	<ul style="list-style-type: none"> • Drain tube limed-up. • Defective valve seat. 	<ul style="list-style-type: none"> • Delime tank and drain tube. • Replace seat.
Warmer Failure	<ul style="list-style-type: none"> • Loss of power. • Defective warmer switch or warmer heater. 	<ul style="list-style-type: none"> • Check power source. • Perform continuity test. Replace defective component.
Auger motor, water solenoid not working	<ul style="list-style-type: none"> • Bus fuse on controller board is blown. 	<ul style="list-style-type: none"> • Replace 5 Amp bus fuse.
Basket Out or Brew Cycle indicators will not light up	<ul style="list-style-type: none"> • Polarity reversed. • LED burned out. 	<ul style="list-style-type: none"> • Connect red wire to red terminal of LED. • Replace LED.

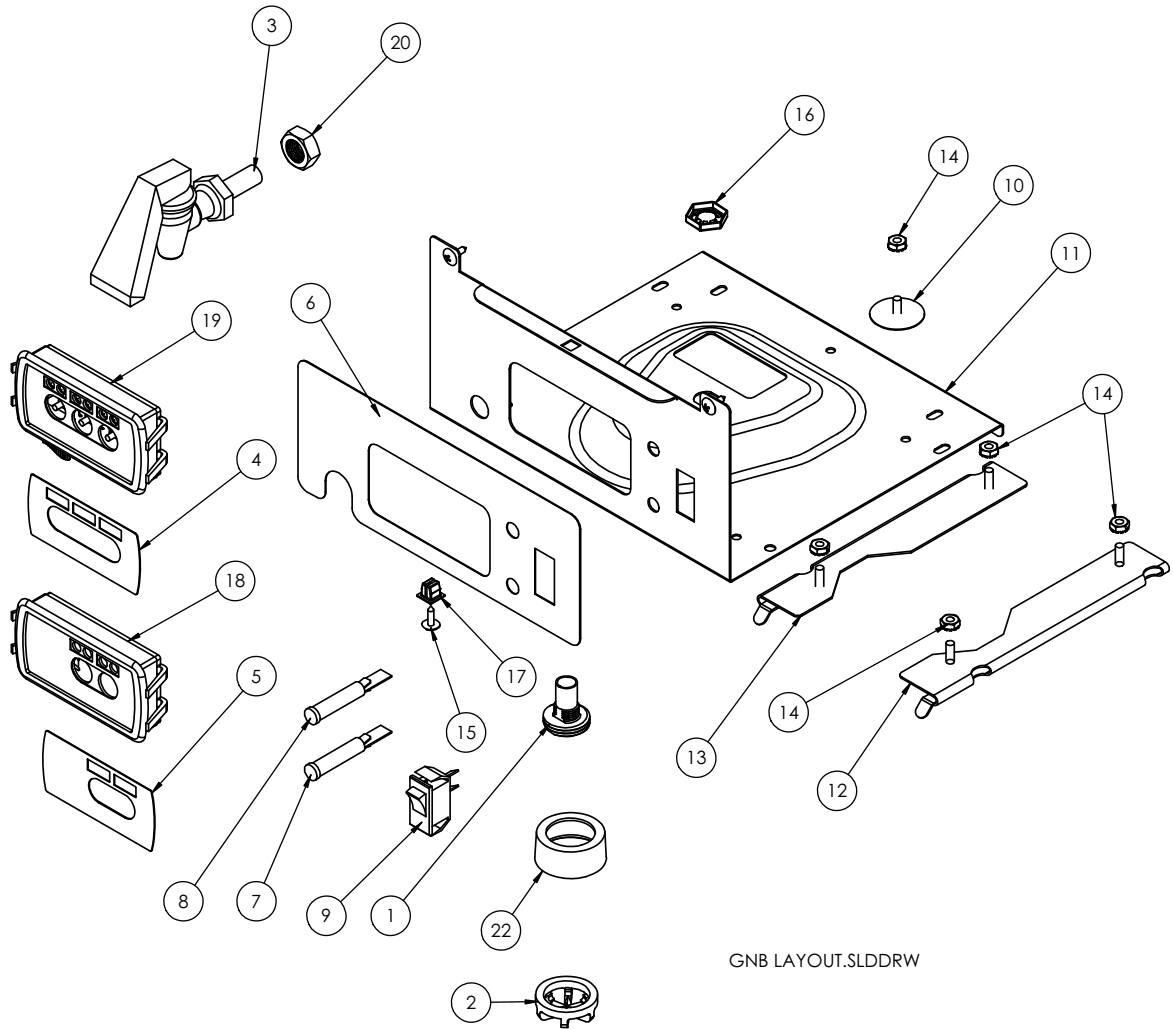
If you still need help, call Grindmaster-Cecilware Technical Service Department, (502) 425-4776 or (800) 695-4500 (USA & Canada only) (Monday through Friday 8 AM - 6 PM EST). Please have the model and serial number ready so that accurate information can be given.

Prior authorization must be obtained from Grindmaster-Cecilware for all warranty claims.

Grindmaster-Cecilware provides the industry's BEST warranty. Visit our website at gmcw.com for warranty terms and conditions.

Parts Diagram and List (continued)

Top Panel Assembly

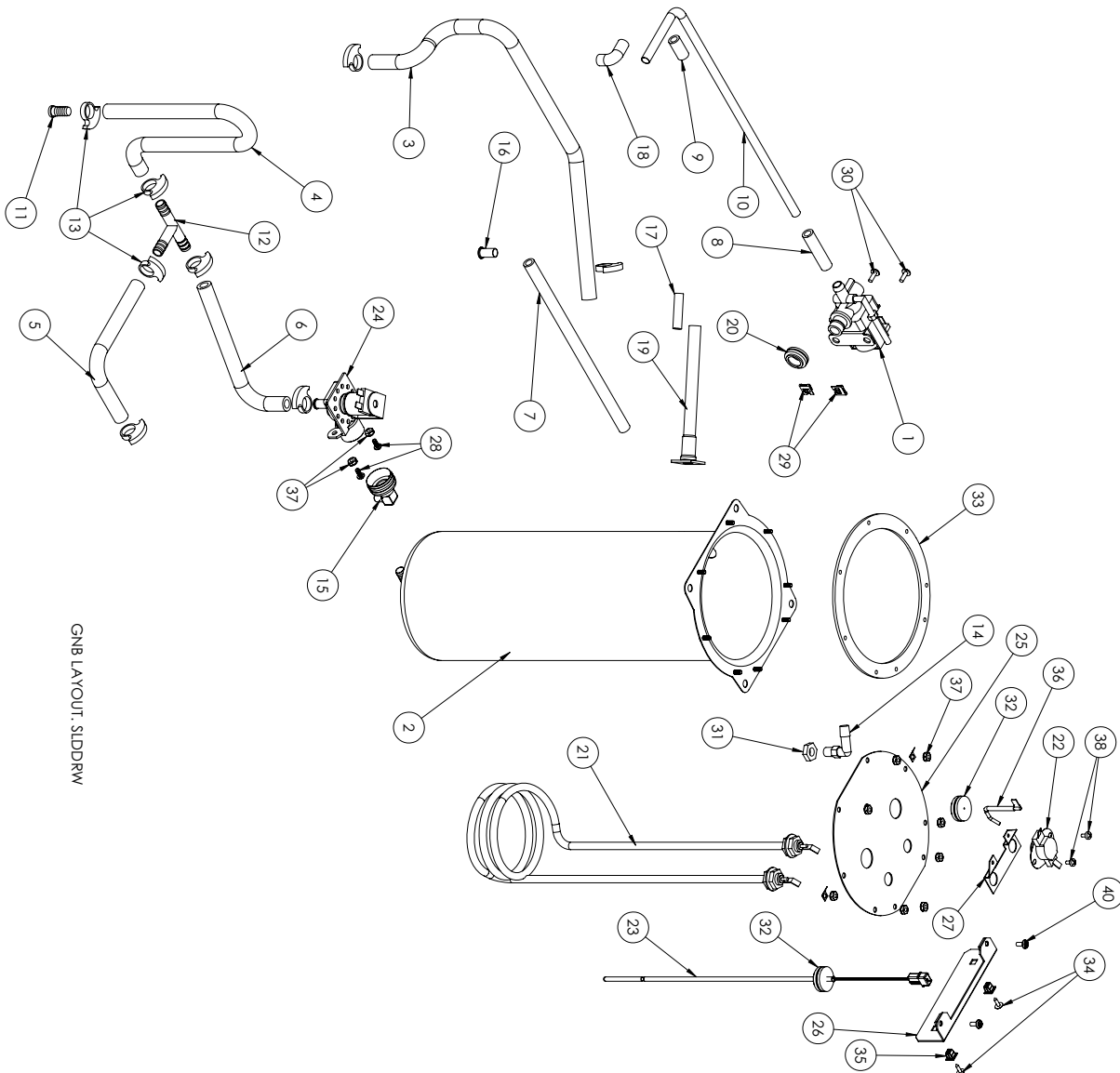


ITEM NO.	PART NUMBER	DESCRIPTION	QTY.
1	71977	NOZZLE, 0.177	1
2	06491	DEFLECTOR, SPRAY	1
3	71546	FAUCET, HOT WATER SPOUT	1
4	71454	DECAL, TPAD DUAL BEAN UNIV	1
5	71455	DECAL, TPAD SNGL BEAN UNIV	1
6	71367	DECAL, CONTROL PANEL, TOUCHPAD	1
7	71449	INDICATOR LIGHT, RED	1
8	71448	INDICATOR LIGHT, GREEN	1
9	70445	SWITCH, ROCKER, N/O, WHITE	1
10	72036	DETENT ASSEMBLY	1
11	71490	TRAY, GNB TOP	1
12	71485	Rail, Brew RH Assy	1
13	71486	RAIL, BREW LH ASSY	1
14	71129	NUT, 8-32 KEPS SS	5
15	70523	SCRW, #8x1/2 PN TR AB 410SS	3
16	07220	NUT, 1/2-20 HX PL	1
17	71373	ANCHOR, SCRW #8 NYLON	1
18	71451	TOUCHPAD ASSY, GNB SGL SPARE PARTS	1
19	71452	TOUCHPAD ASSY, GNB DUAL SPARE PARTS	1
20	07206-05	NUT 1/2'-20 HX JAM	1
21	72048-test	BLOWER HOUSING ASSEMBLY	1
22	210-00288	SHROUD, SPRAYHEAD	1

Parts Diagram and List (continued)

Hot Water Tank Assembly

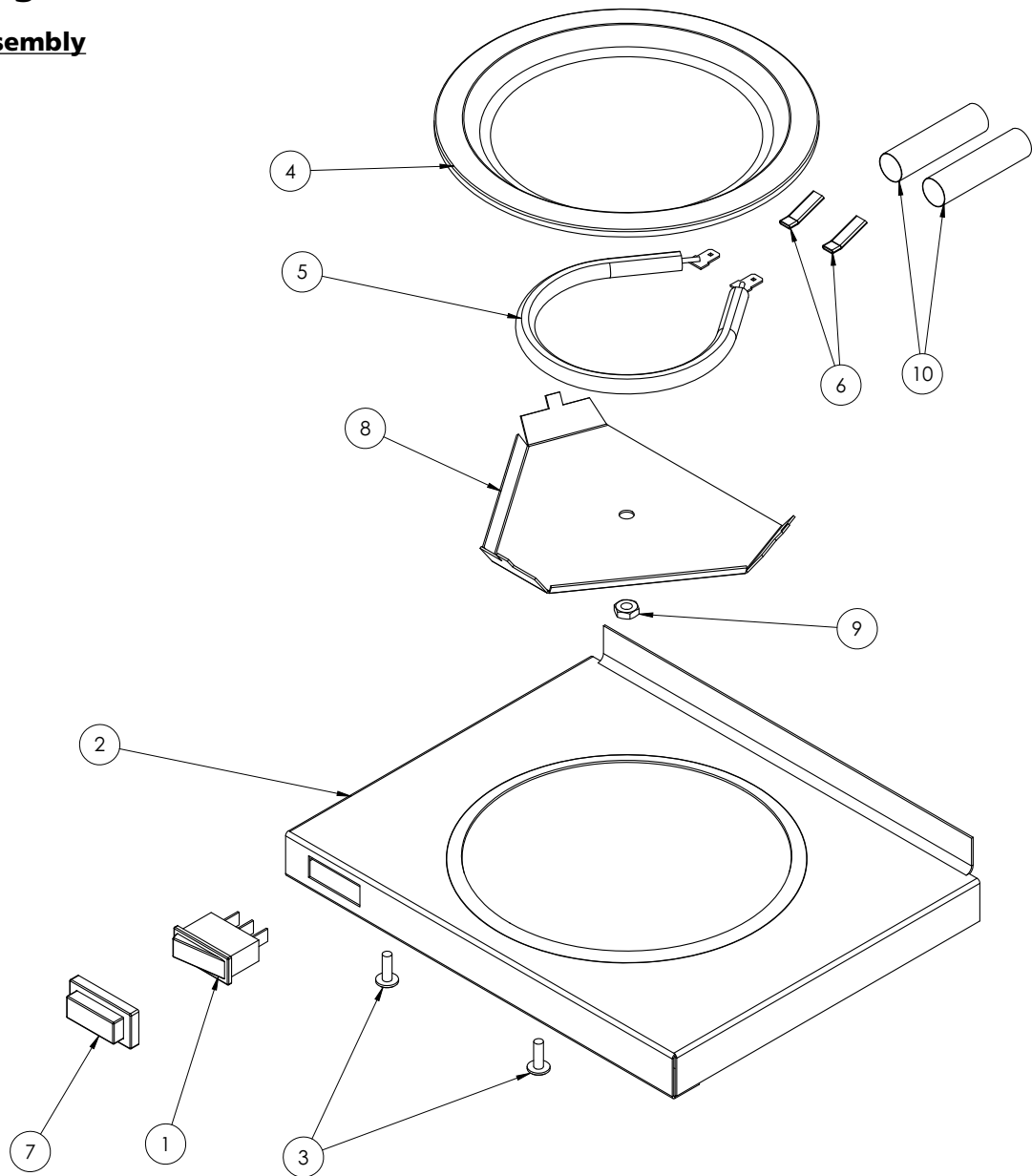
ITEM NO.	PART NUMBER	DESCRIPTION	QTY.
1	61102	VALVE, DUMP 120V	1
2	83461-01	TANK, WATER 16" FABRICATED GNB	1
3	05826-19	TUBING, 3/8ID X 1/8WL SILICONE	1
4	05826-16	TUBING, 3/8ID X 1/8WL SILICONE	1
5	05826-90	TUBING, 3/8ID X 1/8WL SILICONE	1
6	05826-810	TUBING, 3/8ID X 1/8WL SILICONE	1
7	71155-1010	TUBING, 5/16ID X 3/2WL SILICONE	1
8	71155-210	TUBING, 5/16ID X 3/2WL SILICONE	1
9	71155-110	TUBING, 5/16ID X 3/2WL SILICONE	1
10	71258	TUBE, SPRAY	1
11	61232	PLUG, 3/8 BARBED SS	1
12	61152	TEE, 7/16 X 7/16 X 7/16 BARBED	1
13	07327	CLAMP, HOSE 21/32 ID	8
14	61317	ELBOW, 1/8 NPT X 3/8 BARB	1
15	61237	FITTING, ASSY, 1/4" FI. X 3/4" HS. BRSS	1
16	71148	SUPPORT VENT TUBE	1
17	71093	TUBE, SPLICE	1
18	70541	FIG. 90 DEG ELBOW SILICONE	1
19	12152	TUBE, OUTLET	1
20	61243	GROMMET, DUMP VALVE	1
21	61626	ELEMENT, HEATING, 1650W, 120V	1
22	62305	T-STAT, HI TEMP LIMIT	1
23	61128	PROBE, THERMISTOR 12"	1
24	61104	VALVE, 120V INLET 1.2 GPM	1
25	61773	COVER, WATER TANK	1
26	71480	TANK BRACKET ASSY	1
27	62238	BRACKET, T-STAT	1
28	07064-07	SCR, #8-32 X 3/8 PH PN, SS	2
29	71166	NUT, MINNRN G08031SS-832-27	2
30	71084	SCR, #8-32 X 1/2 PH TH 1/F	2
31	61143	NUT, 1/8 JAM N-T BR	2
32	71147	GROMMET, SILICONE, WHT	2
33	70821	GASKET, WATER TANK	1
34	70523	SCRW, #8x1/2 PN TR AB 410SS	2
35	71373	ANCHOR, SCRW #8 NYLON	2
36	61108	ASSEMBLY, PROBE	1
37	71129	NUT, 8-32 FEPS SS	10
38	61353	SCRW, 8-32 X 1/4" PH PN 18-8 SS	2
39	70635	TERMINAL, 1/4.032 X .45DEG, TAB	2
40	82097	SCR, #8-32X3/8" PH TH 18-8 SS	2



GNB LAYOUT, SLDDRW

Parts Diagram and List (continued)

Warmer Assembly



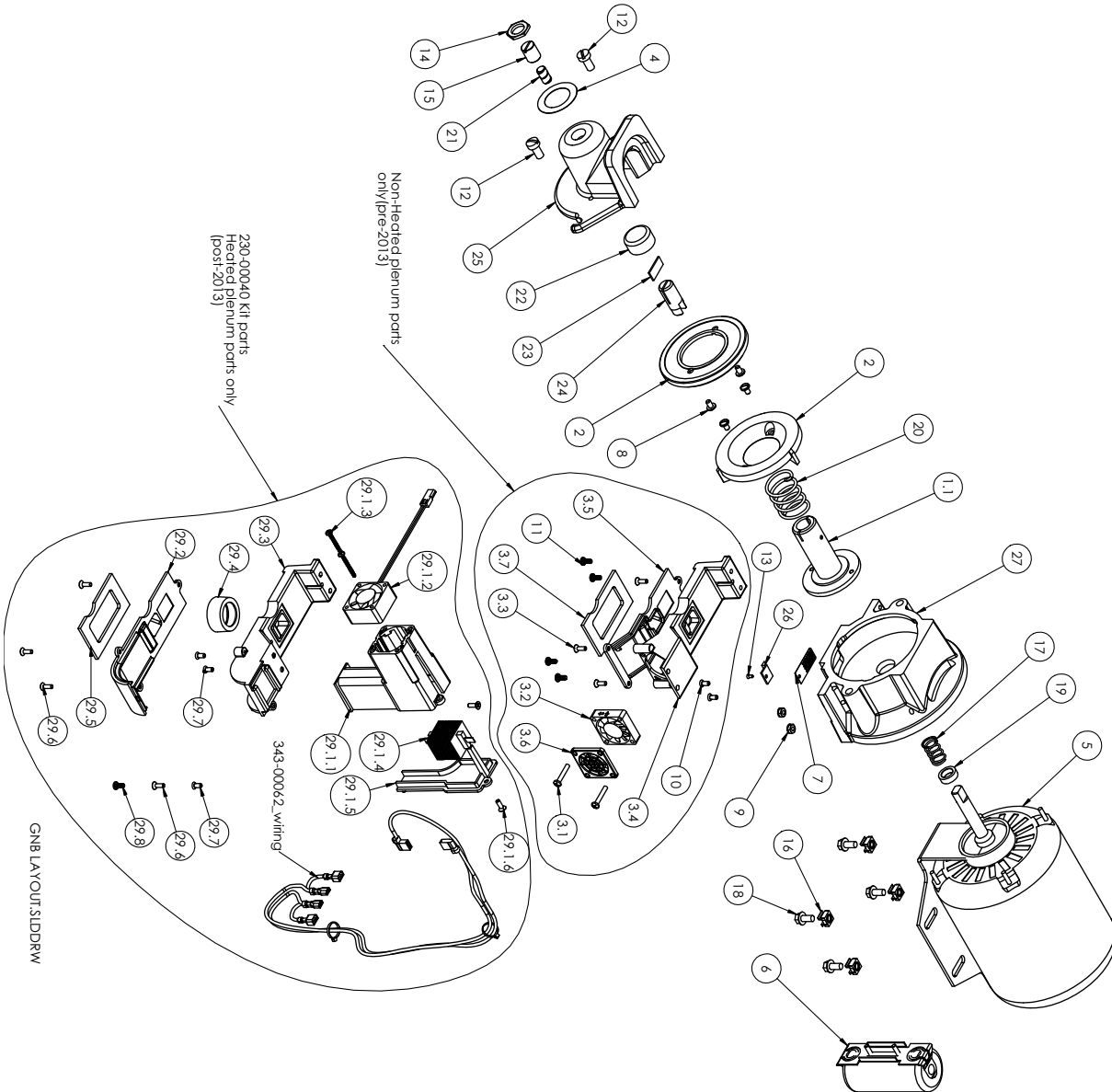
GNB LAYOUT.SLDDRW

ITEM NO.	PART NUMBER	Description	QTY.
1	06957	SWITCH, ROCKER	1
2	200-00067	MOUNT, WARMER PLATE	1
3	71084	SCR, #8-32 X 1/2 PH TH T/F	2
4	71577	PLATE, WARMER, 1-STUD	1
5	13029	HEATER, WARMER 120V	1
6	70631	TUBING, HEAT SHRINK	2
7	71315	CVR, SWITCH	1
8	71592	BRACKET, WARMER B-3	1
9	70322	NUT, 10-32 KEPS SS	1
10	362-00027	TUBING, 1/2" ID HEAT SHRINK	2

Parts Diagram and List (continued)

Grinder Assembly (Non Shutter)

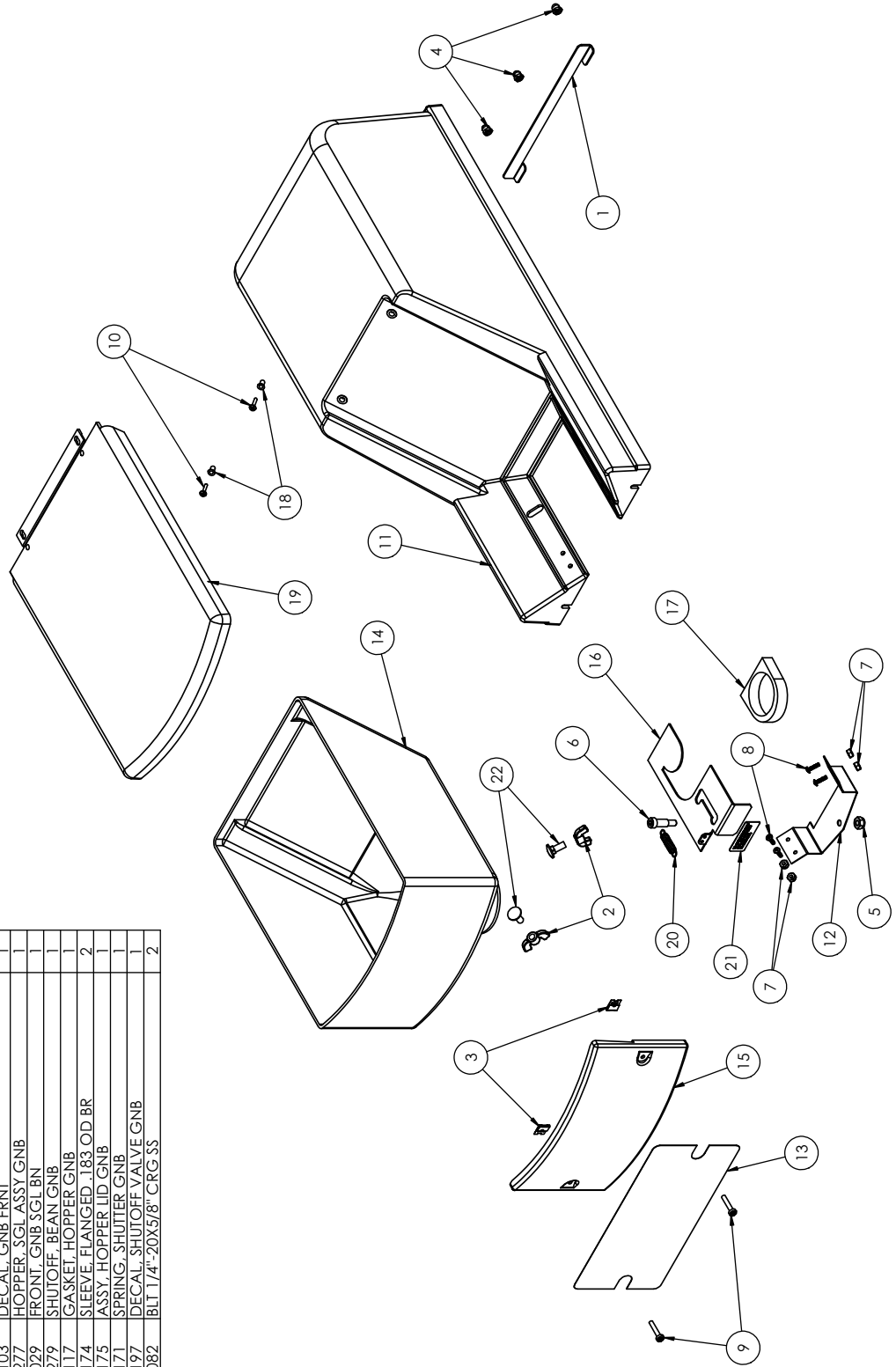
ITEM NO.	PART NUMBER	DESCRIPTION	QTY.
1	71002K	KIT FEEDWORM	1
1.1	71002	FEEDWORM	1
1.2	86319	BUSHING, FEEDWORM	2
2	85281W	BURRS, 410/411 M/GHD	1
3	72048	BLOWER HOUSING ASSEMBLY	1
3.1	6911.5	SCRW. #8X1 PH/PN HD T/B 410SS	2
3.2	260-00016	Fan, 40mm X 10mm -	1
3.3	72045	SCRW. #8 X 1/2" TYPE B SS FHP	3
3.4	210-00284	Housing, upper blower housing	1
3.5	210-00285	cover, GNB blower housing	1
3.6	71484	GUARD, 40mm FAN FINGER	1
4	71169	DECAL, GRIND ADJUST- GNB	1
5	86144	MOTOR, 1/2 HP SS SHAFT	1
6	71295	CAPACITOR, 115/60	1
7	86812	SPRING, CHAFF	1
8	86812	SCREW, 10-32x5/16 SL BD ZINC	4
9	71129	NUT, 8-32 KEPS SS	2
10	71177	SCR. #8-32 X 3/8 PH PH UC	2
11	07026-07	SCR. #8-32 X 3/8 PH PN SS	4
12	71100	SCRW. 5/16-18 X 3/4 SL FL SS	2
13	71179	SCR. #4.40 X 1/4 PH PH MS SS	1
14	86340	NUT, 3/8-18 BRASS ADJ SCREW	1
15	86341	NUT, INNERMAN 1/4-20	4
16	86864	SPRING, TENSION	4
17	80025	BOLT, 1/4-20 X 3/8, HX HD	4
18	86812	SCREW, TENSION	4
19	86304	SPRING, FEEDWORM	1
20	71295	BEARING, FEEDWORM	1
21	86345	SHAFT, 3/4" DIA SS	1
22	86345	PLATE, SHAFT	1
23	71081	DRIVE SHEAR	1
24	71001	CAP. GRIND	1
25	71123	INSERT, GRINDER HEAD	1
26	71000	HEAD, GRIND	1
27	86808	SCR #8-32X1/2" PH OVZNC	2
28	86808	KIT, GNB HEATED PLENUM, 120V	2
29	230-00040	HOUSING ASSEMBLY, FAN/HEATER, 120V	1
29.1	230-00042	HOUSING, FAN/HEATER	1
29.1.1	210-00287	FAN, 40mm X 20mm 11.3CFM	1
29.1.2	260-00016	SCREW, #6 X 1.25" H-H/O, PH/PN HD	2
29.1.3	350-00044	HEATER, 100W/120V PTC AIR	1
29.1.4	320-00053	COVER, HEATER HOUSING	1
29.1.5	210-00289	SCRW. #8 X 1/2" TYPE B SS FHP	1
29.1.6	72045	SCRW. #8 X 1/2" TYPE B SS FHP	1
29.1.7	343-00062	HARNES, HEATED PLENUM	1
29.2	210-00285	COVER, HEATED PLENUM	1
29.3	210-00284	HOUSING, UPPER HEATED PLENUM	1
29.4	7100288	SHROUD, SH/TA HEATED PLENUM	1
29.5	72045	SCRW. #8 X 1/2" TYPE B SS FHP	1
29.7	71172	SCR. #8-32 X 3/8 PH PH UC	5
29.8	07026-07	SCR. #8-32 X 3/8 PH PN SS	1



Parts Diagram and List (continued)

Single Bean Upper Assembly

ITEM NO.	PART NUMBER	DESCRIPTION	QTY.
1	71469	HOPPER CLIP ASSEMBLY	1
2	71199	NUT, 1/4-20 WING ESNA	2
3	71166	NUT, TINNRMN C08031 SS-832-27	2
4	61339	NUT, B-32 ACORN FLNGTD 18-8 SS	3
5	60007	NUT, 1/4-20 NYLON **SC**	1
6	71122	BLT, 1/4"-20 5/16"X5/8" SKT CP SHLD 18-8 SS	1
7	86913	NUT #6-32 X 1/2 PH PN BLK	4
8	61304	SCR #6-32 X 1/2 PH PN BLK	4
9	61288	SCR #8-32 X 7/8 PH PN BLK SS	2
10	60288	SCREW, 6-32 X 5/8 PH RD HD	2
11	71090	ASSY, HPR CRADLE GNB SGL BN	1
12	71193	BRKT, BEAN SHUTOFF GNB	1
13	71103	DECAL, GNB FRNT	1
14	71277	HOPPER, SGL ASSY GNB	1
15	71029	FRONT, GNB SGL BN	1
16	71279	SHUTOFF, BEAN GNB	1
17	71117	GASKET, HOPPER GNB	1
18	71174	SLEEVE, FLANGED .183 OD BR	2
19	71175	ASSY, HOPPER LID GNB	1
20	71171	SPRING, SHUTTER GNB	1
21	71197	DECAL, SHUTOFF VALVE GNB	1
22	71082	BLT, 1/4"-20X3/8" CRG SS	2

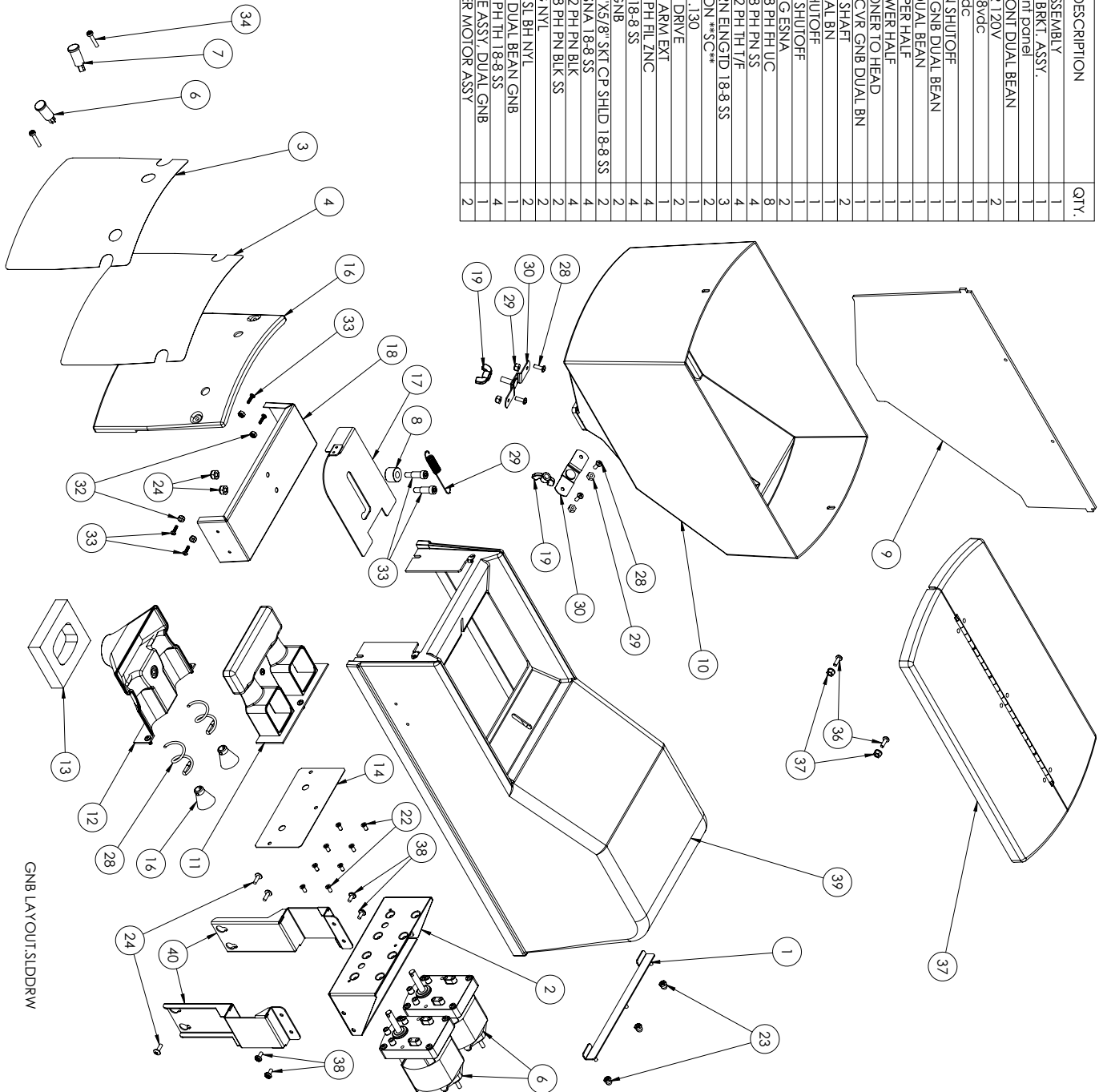


GNB LAYOUT.SLDDRW

Parts Diagram and List (continued)

Dual Bean Upper Assembly

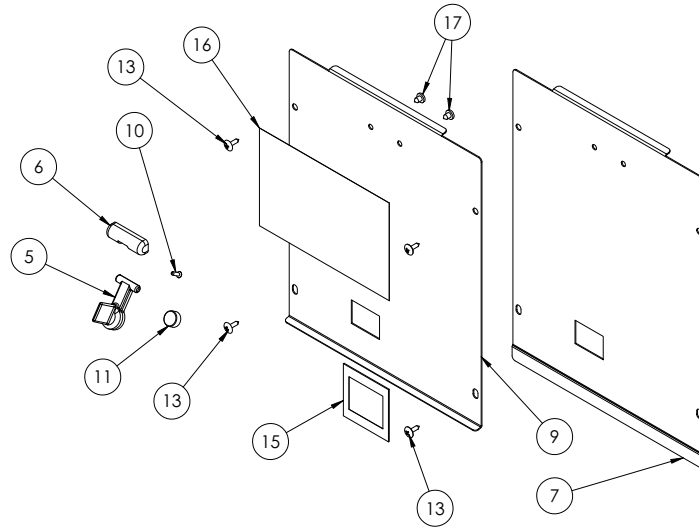
ITEM NO.	PART NUMBER	DESCRIPTION	QTY.
1	71469	HOPPER CLIP ASSEMBLY	1
2	72055	AUGER MOTOR BRKT. ASSY.	1
3	72049	Decal, GNB front panel	1
4	71249	DECAL, GNB FRONT DUAL BEAN	1
6	86482	MOTOR, AUGER 120V	2
7	71489	Lamp, Green, 28vdc	1
8	71488	Lamp, RED, 28vdc	1
9	72051	SPACER, NYLON SHUTOFF	1
10	71206	PARTITION, HPR GNB DUAL BEAN	1
11	71210	HOPPER, GNB DUAL BEAN	1
12	71220	PORTRONER, UPPER HALF	1
13	71219	PORTRONER, LOWER HALF	1
14	71419	GASKET, PORTRONER TO HEAD	1
16	71248	PLATE, PORTRN CVR GNB DUAL BN	1
16	86480	FEEDER, AUGER SHAFT	2
17	71211	FRONT, GNB DUAL BN	1
17	71204	VALVE, BEAN SHUTOFF	1
18	72018	BRACKET, BEAN SHUTOFF	1
19	71199	NUT, 1/4-20 WING, ESNA	2
22	71177	SCR, #8-32 X 3/8 PH FH UC	8
21	07026-07	SCR, #8-32 X 3/8 PH PN SS	4
24	71084	NUT, 8-32 ACORN EINGTD 18-8 SS	4
23	61339	NUT, 8-32 X 1/2 PH TH T/F	3
24	60007	NUT, 1/4-20 NYLON **SC**	2
25	71253	RNT, #8-32 GRP, .130	1
28	86481	SPRING, AUGER DRIVE	2
28	86508	SPRING, BASKET ARM EXT	1
28	07044-02	SCR #8-32X1/2" PH FIL ZNC	4
29	71261	NUT, 8-32 ESNA 18-8 SS	4
30	12074	BRKT, HOPPER GNB	2
33	71122	BLT 1/4"20 5/16 X5/8" SKT CP SHLD 18-8 SS	2
33	86913	NUT #6-32 HX ESNA 18-8 SS	4
34	61304	SCR #6-32 X 1/2 PH PN BLK	4
34	61288	SCR #8-32 X 7/8 PH PN BLK SS	2
37	86086	NUT #8-32 FLNG NYL	2
36	86087	SCR #8-32X1/2" SL BH NYL	2
37	71229	KIT, HOPPER LID DUAL BEAN GNB	1
38	82097	SCR #8-32X3/8" PH TH 18-8 SS	1
39	71222	HOPPER CRADLE ASSY, DUAL GNB	4
40	72087	BRACKET, AUGER MOTOR ASSY	2



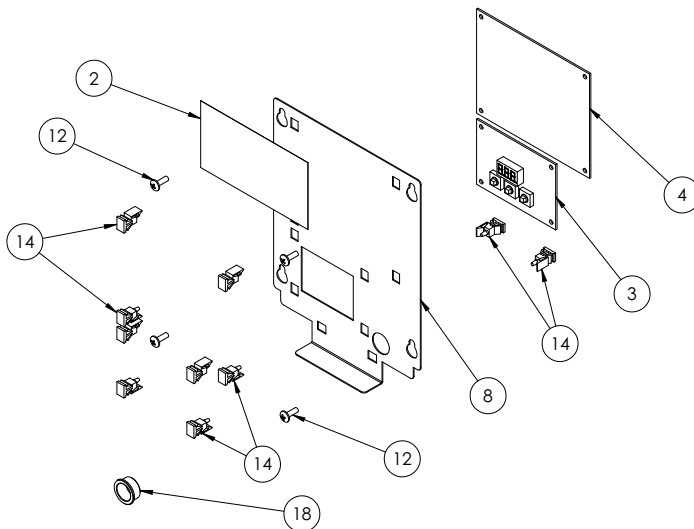
Parts Diagram and List (continued)

Splash Panel & Control Panel Assembly

Splash Panel Assembly (Basket Out Switch)



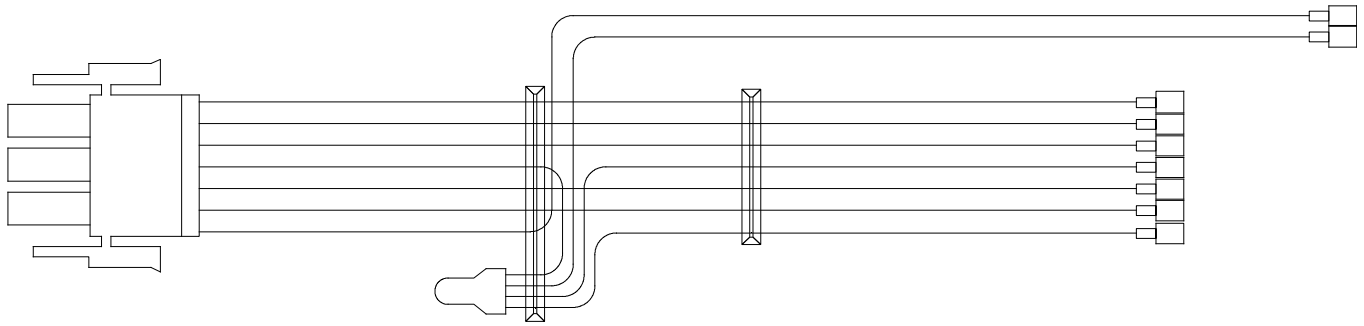
Control Panel Assembly



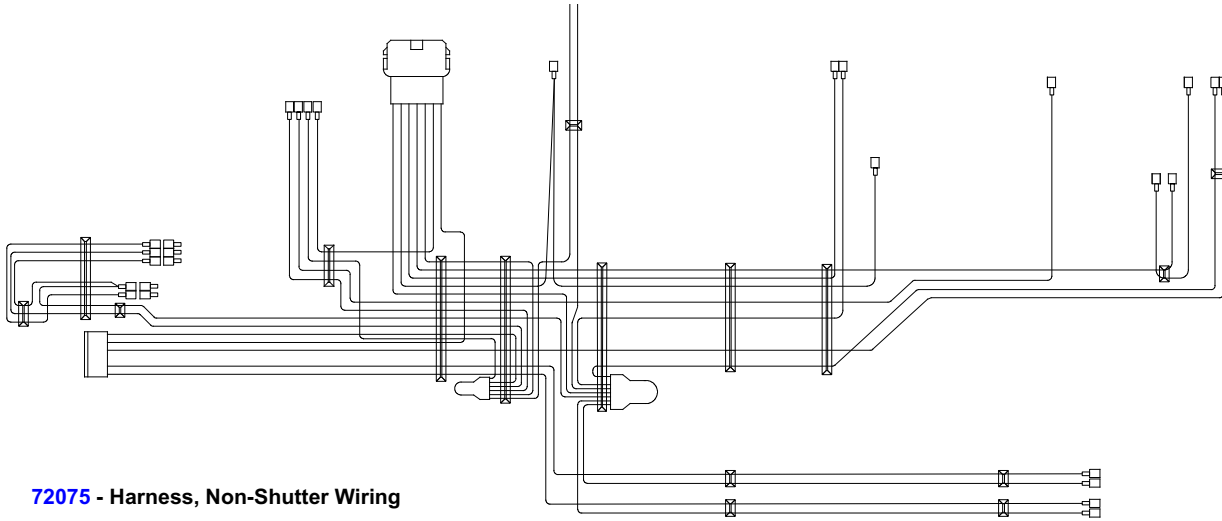
ITEM NO.	PART NUMBER	DESCRIPTION	QTY.
2	71106	DECAL, CONTROLLER OVERLAY	1
3	71957	INTERFACE, GNB PROGRAM	1
4	72046	Control, GNB RFID CAPABLE	1
5	72039	Fulcrum, Basket out switch	1
6	72040	PIVOT, FULCRUM	1
7	72073	PANEL, GNB WARMER SPLASH	1
8	71497	Bracket, GNB controller	1
9	71494	Panel, GNB Airpot Splash	1
10	72042	Screw, Type A #4x3/8" FH PH SS	1
11	71499	Magnet, 1/2OD x 1/4W	1
12	71084	SCR. #8-32 X 1/2 PH TH T/F	4
13	70523	SCRW, #8x1/2 PN TR AB 410SS	4
14	61266	STANDOFF, RVR5 EDGEMOUNT	10
15	71965	DISPLAY FILTER	1
16	70248	LABEL, WARNING	1
17	P940A	Screw, #8 x 1/4" SS	2
18	88031	SNAP BUSHING, HEYCO #2096	1

GNB LAYOUT.SLDDRW

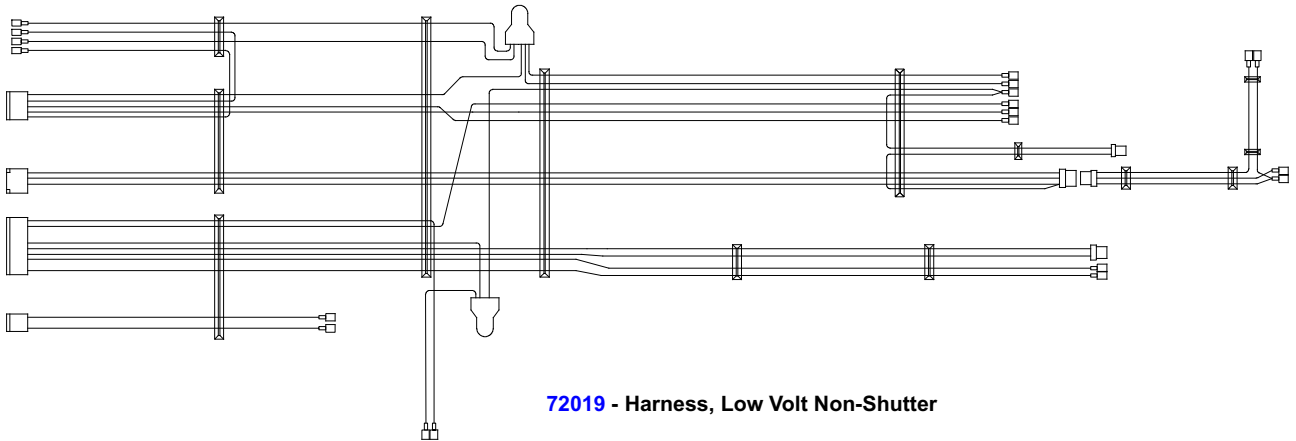
Wiring Harnesses



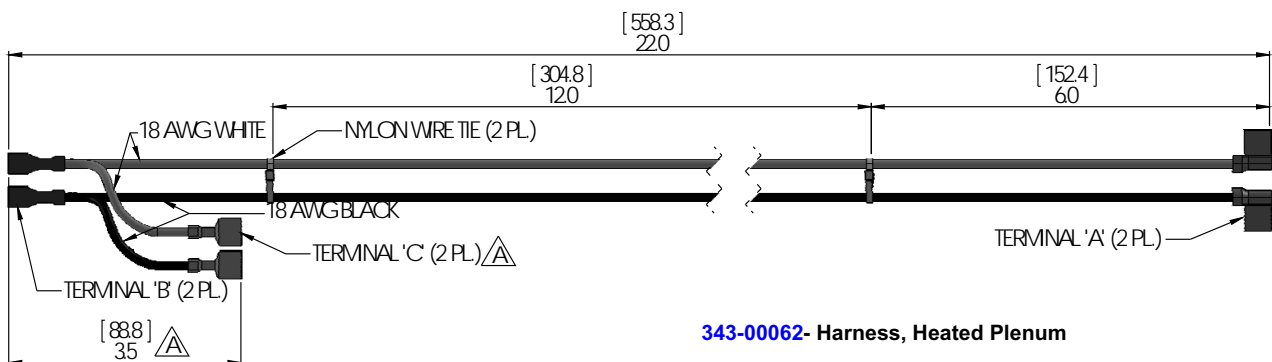
71310 - Harness, Wiring Power Supply



72075 - Harness, Non-Shutter Wiring

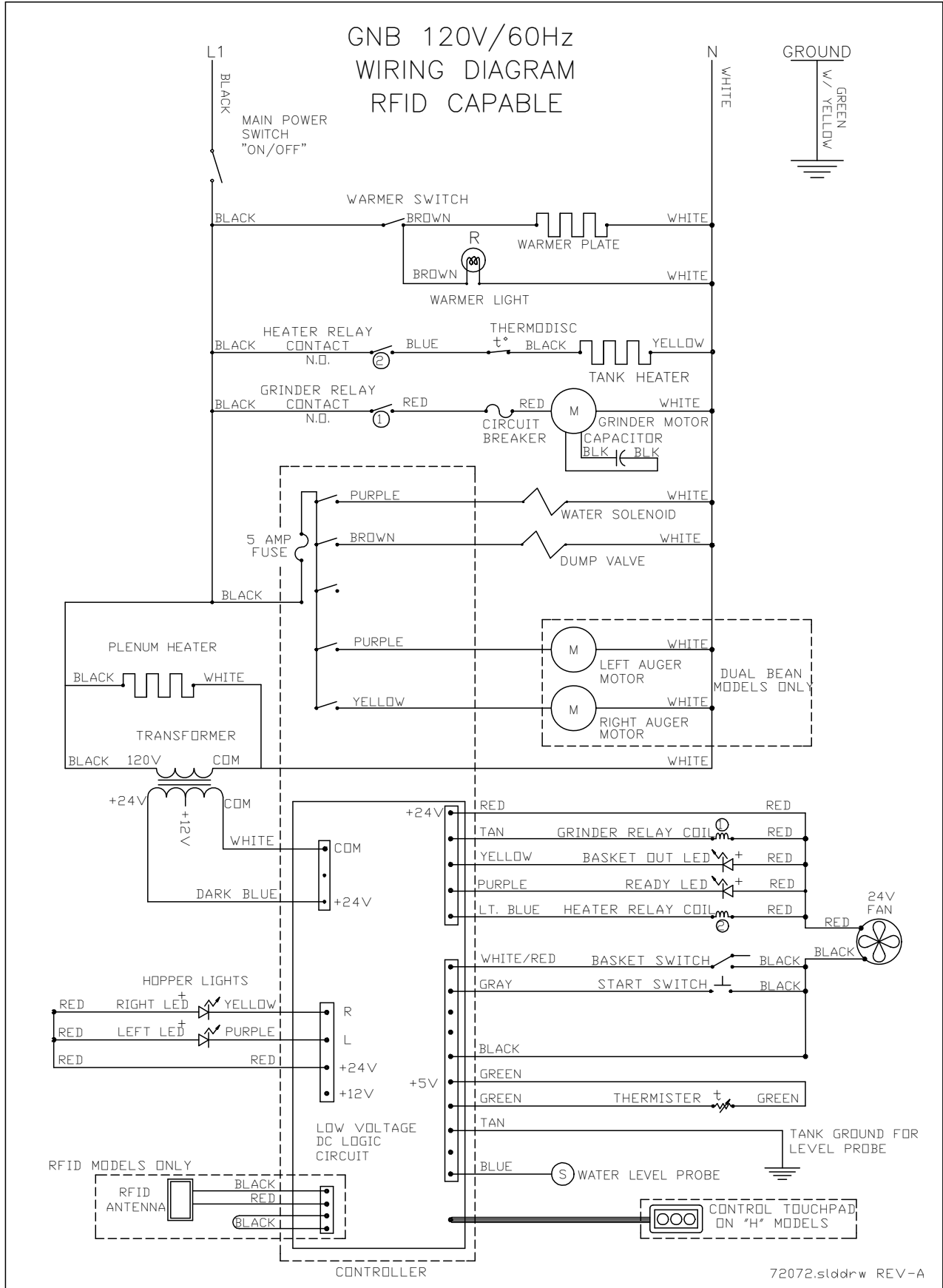


72019 - Harness, Low Volt Non-Shutter



343-00062- Harness, Heated Plenum

Wiring Diagram



Grindmaster-Cecilware

4003 Collins Lane, Louisville, KY 40245 USA
Phone: 502.425.4776 Toll Free: 800.695.4500
Fax: 502.425.4664
Web: gmcw.com Email: info@gmcw.com

©2016 Grindmaster-Cecilware
Printed in USA



**Grindmaster
Cecilware**

0516 Form # BW-354-03
Part # **390-00062**