

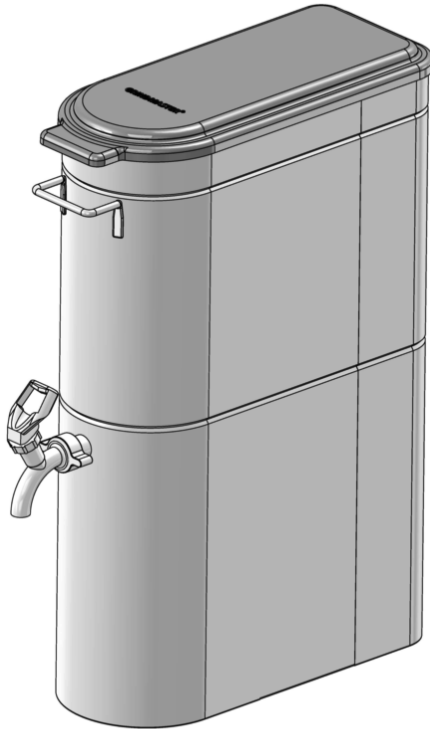


# GRINDMASTER®

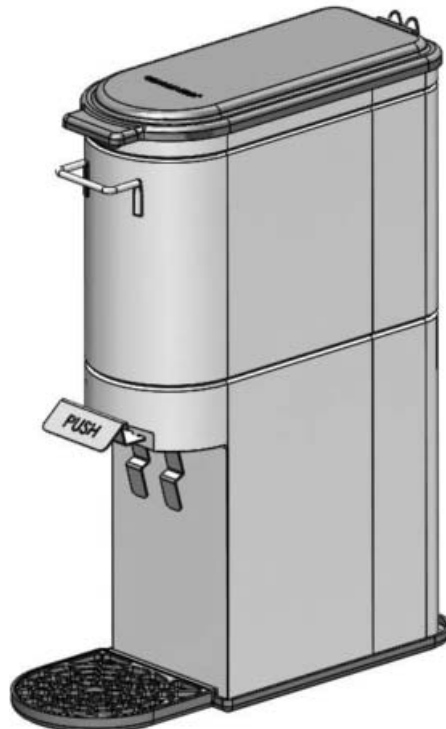
# Operator Manual

## Stainless Steel Iced Tea Urns

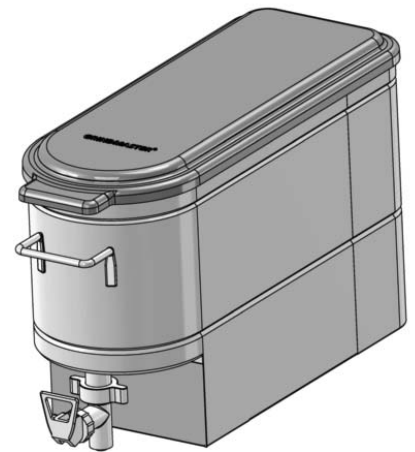
Models GTD2 and GTD3



**Model GTD3-FOT**



**Model GTD3-C-LL  
with optional drip  
tray**



**Model GTD2-DNT-ST**

Activate your warranty now at  
<http://gmcw.com/warranty-registration>



### Table of Contents

Safety Information.....	2	Operation .....	3
Specifications.....	2	Cleaning & Maintenance .....	3
Installation.....	3	Parts Diagrams and List .....	4

Thank you for purchasing this quality tea dispenser. For your safety and the safety of others, read all warnings and the operator's manual before installing or using the product. Properly instruct all operators. Keep training records.

#### Grindmaster-Cecilware

4003 Collins Lane, Louisville, KY 40245 USA  
Phone: 502.425.4776 Toll Free: 800.695.4500  
Fax: 502.425.4664  
Web: [gmcw.com](http://gmcw.com) Email: [info@gmcw.com](mailto:info@gmcw.com)

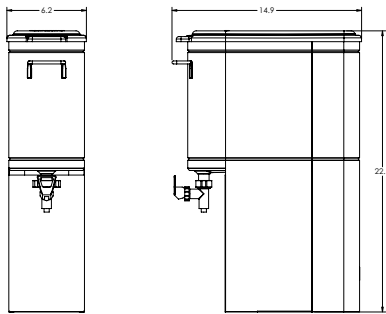
Grindmaster-Cecilware provides the industry's BEST warranty. Visit [gmcw.com](http://gmcw.com) for warranty terms and conditions.



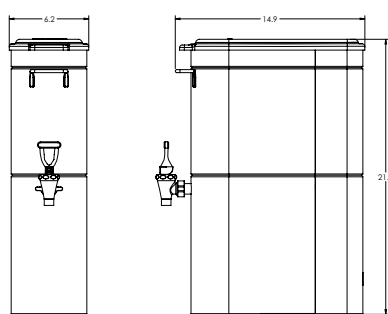
### Grindmaster Cecilware

# Specifications

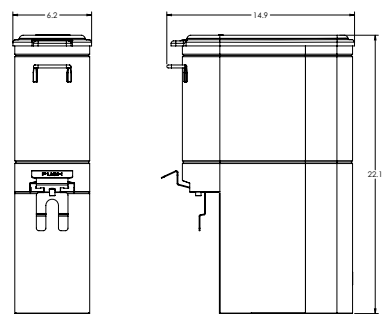
Model	Description	Part No.	Width In	Depth In	Height In	Tank US Gal.
GTD3-DNT	Tomlinson® down-facing	6700-20001	6.2	14.9	22.1	3
GTD3-FOT	Tomlinson® front	6700-30000	6.2	14.9	21.6	3
GTD3-TP	Tomlinson® front w/ pinch tube	6700-30001	6.2	14.9	21.6	3
GTD3-RP	Rapak® front w/ pinch tube	6700-30002	6.2	14.9	21.6	3
GTD3-C	Crathco® design	6700-40000	6.2	14.9	22.1	3
GTD3-C-LL	Crathco design w/ Lock	6700-40011	6.2	15.5	22.1	3
GTD3-DNT-ST	Stackable Tomlinson® down-facing	6700-50000	6.2	17.0	12.7	3
GTD3-DNT-SBS	Side-by-side Tomlinson® down-facing	6700-50001	4.2	22.2	14.1	3
GTD2-DNT-ST	Stackable Tomlinson® down-facing	6700-50002	6.2	17.0	10.0	2



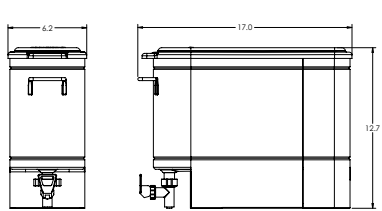
Model GTD3-DNT



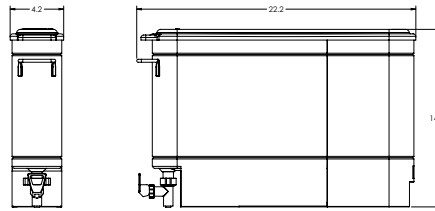
Model GTD3-FOT  
GTD3-TP  
GTD3-RP



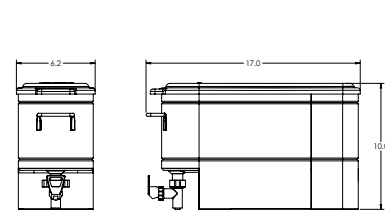
Model GTD3-C



Model GTD3-DNT-ST



Model GTD3-DNT-SBS



Model GTD2-DNT-ST

Grindmaster-Cecilware provides the industry's BEST warranty. Visit our website at [gmcw.com](http://gmcw.com) for warranty terms and conditions.

## Safety Information

### Important Safety Information



This is the safety alert symbol. It is used to alert you to potential personal injury hazards. Obey all safety messages that follow this symbol to avoid possible injury or death.

For your safety and the safety of others, read all warnings and the operator's manual before installing or using the product.

**DANGER:** This term warns the user of imminent hazard that will result in serious injury or death.

**WARNING:** This term refers to a potential hazard or unsafe practice, which could result in serious injury or death.

**CAUTION:** This term refers to a potential hazard or unsafe practice, which could result in minor or moderate injury.

**NOTICE:** This term refers to information that needs special attention or must be fully understood.

## Safety Information (continued)

### CAUTION

Burn hazard. Water used for brewing tea is very hot. Use caution when brewing, pouring, or transporting hot tea. Never attempt to move the urn without first draining or allowing contents to cool.

Clean and sanitize your iced tea urn daily.

Do not keep brewed tea or other brewed beverages overnight.

## Installation

### Set-up

1. Carefully open and unpack the iced tea urn.
2. Inspect for damaged parts.
3. Clean and sanitize the urn before operation. See **Cleaning Instructions**.
4. Place on a flat, level surface.

### Assembly

Crathco valves (Model **GTD3-C**):

1. Install the handle into the slot opening in the front of the urn and drop in valve from the top with gasket preinstalled.


Other valve types:

1. Slide wing nut onto the valve seat and install the C-ring.
2. For pinch tube style valves:
  - a. Install pinch tube and pull until it is fully seated inside of the urn.
  - b. Pull the valve handle to the fully open and locked position; then slide it over the pinch tube until it is seated on the valve seat.
3. With the valve seated onto the valve seat, and at the correct vertical displacement, tighten the wing nut until the valve is firmly seated.
4. For pinch tube style valves, move the valve handle to the closed position.

If you need help after reading this section, call Grindmaster-Cecilware Technical Service Department, (502) 425-4776 or (800) 695-4500 (USA & Canada only) (Monday through Friday 8 AM - 6 PM EST). Please have the model number ready so that accurate information can be given.


Prior authorization must be obtained from Grindmaster-Cecilware for all warranty claims.

## Operation

** CAUTION:** Burn hazard. Water used for brewing tea is very hot. Use caution when brewing, pouring, or transporting hot tea. Never attempt to move the urn without first draining or allowing contents to cool.

1. Verify the urn is clean and properly sanitized.
2. Be sure the faucet is placed in the "OFF" position.
3. Carefully fill the urn. Do not overfill. Maximum fill is to the indented line near the top (approx. 1 inch below the top).
4. Place lid onto top of urn.

## Cleaning & Maintenance

** CAUTION:** Burn hazard. Water used for brewing tea is very hot. Use caution when brewing, pouring, or transporting hot tea. Never attempt to move the urn without first draining or allowing contents to cool.

**NOTICE:** Never use chlorine based cleaners such as bleach to clean stainless steel. Do not use scouring cleaners on the urn's surfaces.

### Disassembly

1. Empty the entire contents of the iced tea urn.
2. For Crathco valve types (Model **GTD3-C**), pull out valve and then remove handle.
3. For valve types with pinch tubes, open the dispense valve by moving the dispense lever to the fully open and locked position.
4. For valve types except Crathco:
  - a. Detach faucet retaining nut from faucet by turning the nut counterclockwise.
  - b. Remove faucet from tube by pulling away from valve seat.
  - c. Disassemble faucet by turning the handle locking nut counterclockwise.
5. For valve types with pinch tubes, reach inside the urn and remove dispense tube by grasping the dispense tube handle and pulling outwards.

# Cleaning & Maintenance (continued)

## Cleaning Instructions

**Frequency:** Clean and sanitize your iced tea urn daily.

1. Place urn body, lid, dispense tube, faucet halves and tray parts, if applicable, into a warm soapy wash.
2. Clean all components by brushing or scrubbing.
3. Rinse carefully to remove soap.
4. Place the parts into the sanitizing solution.
5. Follow the sanitization procedure of your chosen sanitizing solution. Be sure to soak the parts for at least ten minutes.
6. Remove parts from sanitizing solution and air dry.

## Latch models cleaning

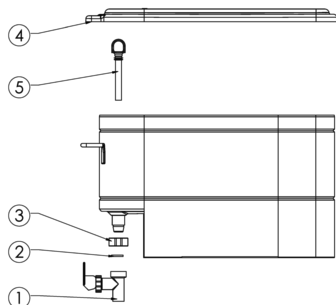
1. Remove the latch, if provided, by removing nut (86916) from the urn.
2. Use detergent, water, and brush to clean the latch (356-00057).
3. Allow to air dry and reinstall.

## Maintenance

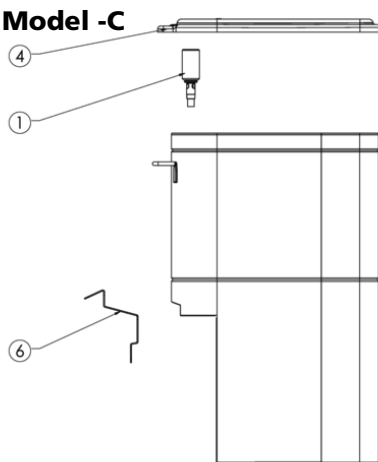
1. Inspect urn parts before each use.
2. Do not use a damaged urn
3. Replace damaged or worn parts.
4. Use only factory authorized repair parts.

## Parts Diagrams and List

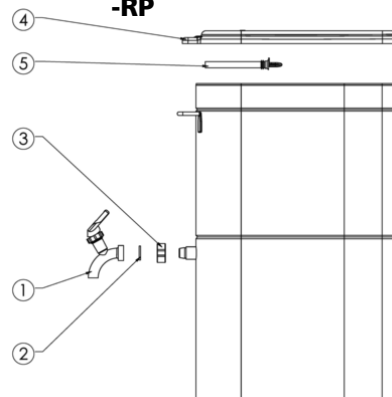
### Model -DNT



### Model -C



### Model -FOT -TP -RP



Item No.	Part No.	Description
1	<a href="#">280-00052</a>	Tomlinson 600T3G - For 6700-20001, 6700-50000, 6700-50001, 6700-50002
	<a href="#">280-00053</a>	Tomlinson SPBA - for 6700-30000
	<a href="#">280-00054</a>	Tomlinson 600T3P - for 6700-30001
	280-00055	Rapak Valve - for 6700-30002
	<a href="#">99464</a>	Dispense Valve, w/ <a href="#">99380</a> Seal - for 6700-40000
2	<a href="#">357-00001</a>	Valve Retaining C-Ring
3	<a href="#">351-00021</a>	Tomlinson Wingnut
4	<a href="#">220-00178</a>	Lid, Stackable - for 6700-50000, 6700-50002
	<a href="#">220-00182</a>	Lid, Side-by-Side - for 6700-50001
	210-00340	Lid, Dine Urn - for 6700-20001, 6700-30000, 6700-30001, 6700-30002, 6700-40000
	<a href="#">210-00654</a>	Lid, Dine Urn Locking - for 6700-20001, 6700-30000, 6700-30001, 6700-30002, 6700-40000
5	290-00068	Tea Urn Pinch Tube - for 6700-20001, 6700-50000, 6700-50001, 6700-50002
	290-00062	Tea Urn Pinch Tube - for 6700-30001, 6700-30002
6	<a href="#">200-00522</a>	Push Handle
not shown	210-00709	Optional Bottom Tray for 6700-40000, 6700-40011
not shown	250-00178	Optional Drip Tray for 6700-40000, 6700-40011

### Grindmaster-Cecilware

4003 Collins Lane, Louisville, KY 40245 USA  
 Phone: 502.425.4776 Toll Free: 800.695.4500  
 Fax: 502.425.4664  
 Web: gmcw.com Email: info@gmcw.com

Grindmaster-Cecilware provides the industry's BEST warranty. Visit gmcw.com for warranty terms and conditions.



**Grindmaster  
Cecilware**