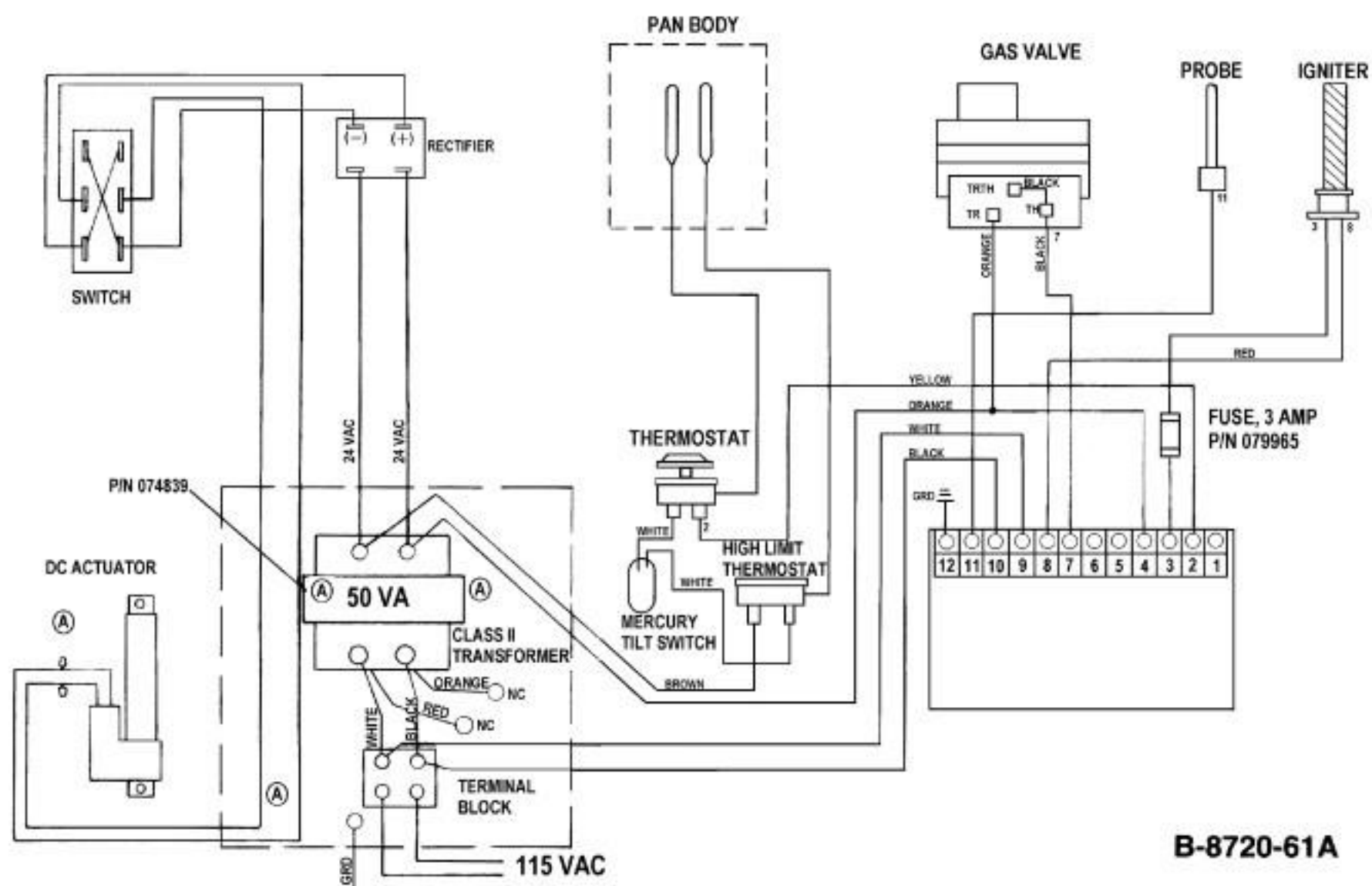


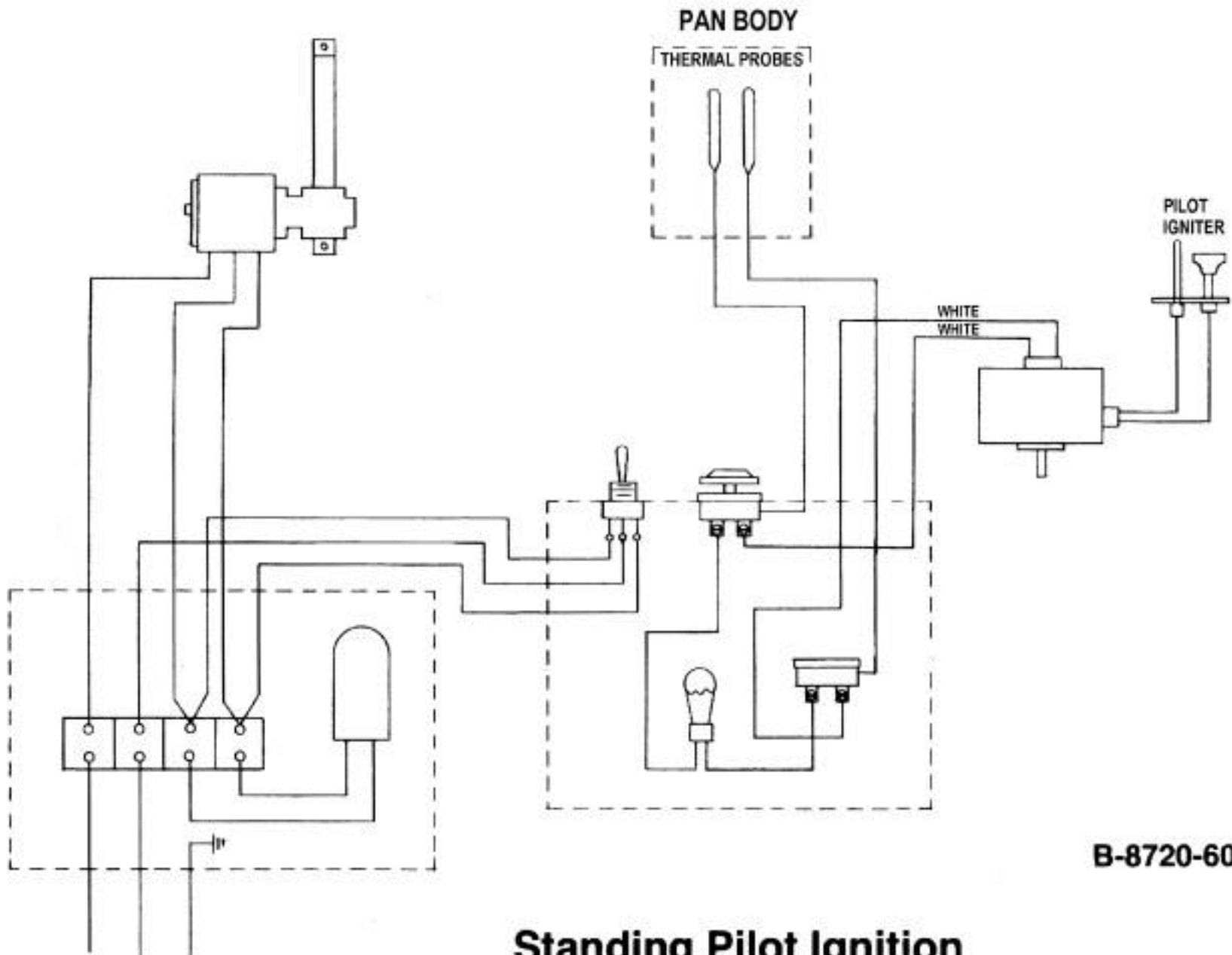
**B-8720-60A**

## Standing Pilot Ignition Size 4 Pan



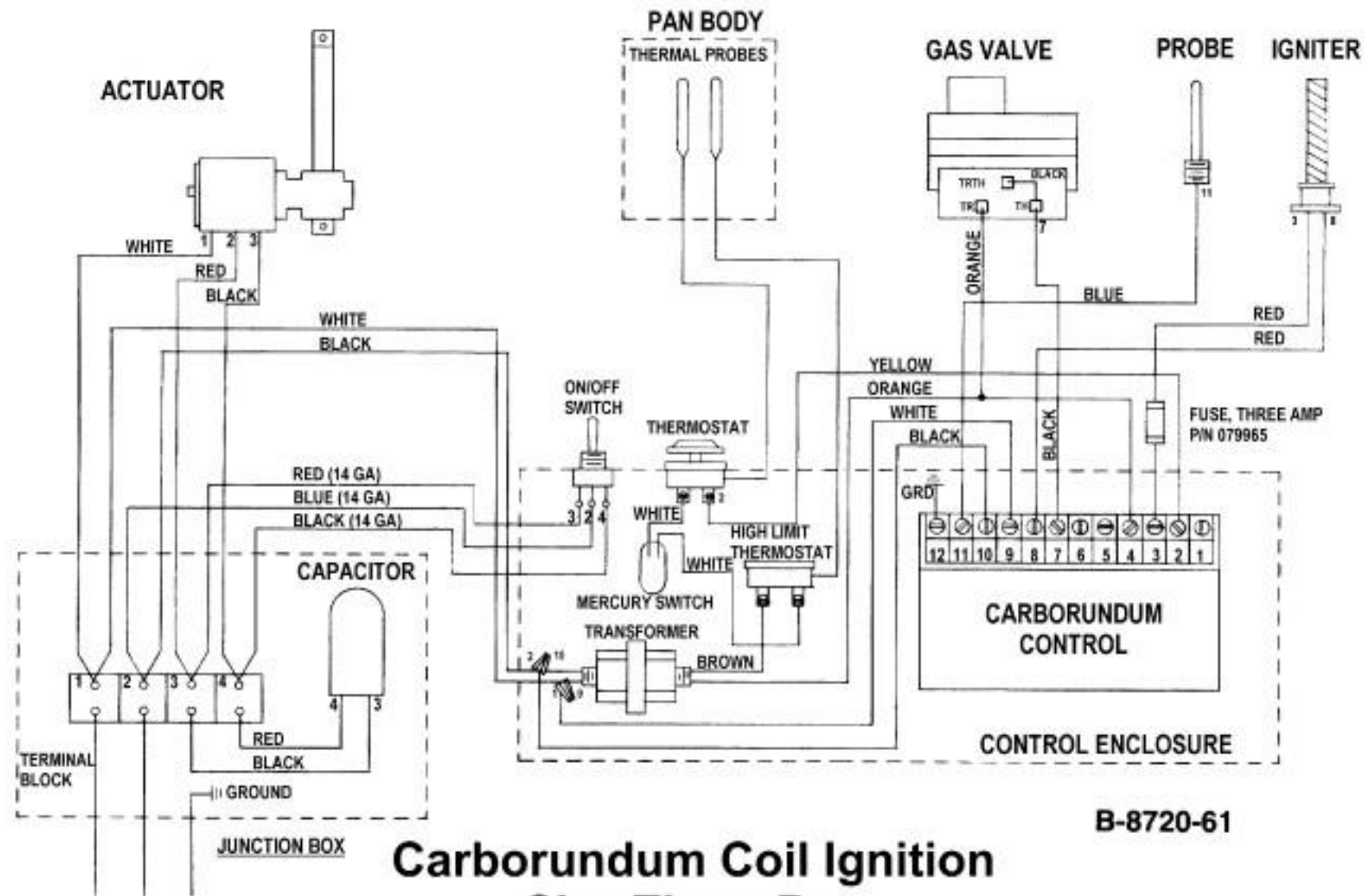
B-8720-61A

## Carborundum Coil Ignition Size 4 Pan



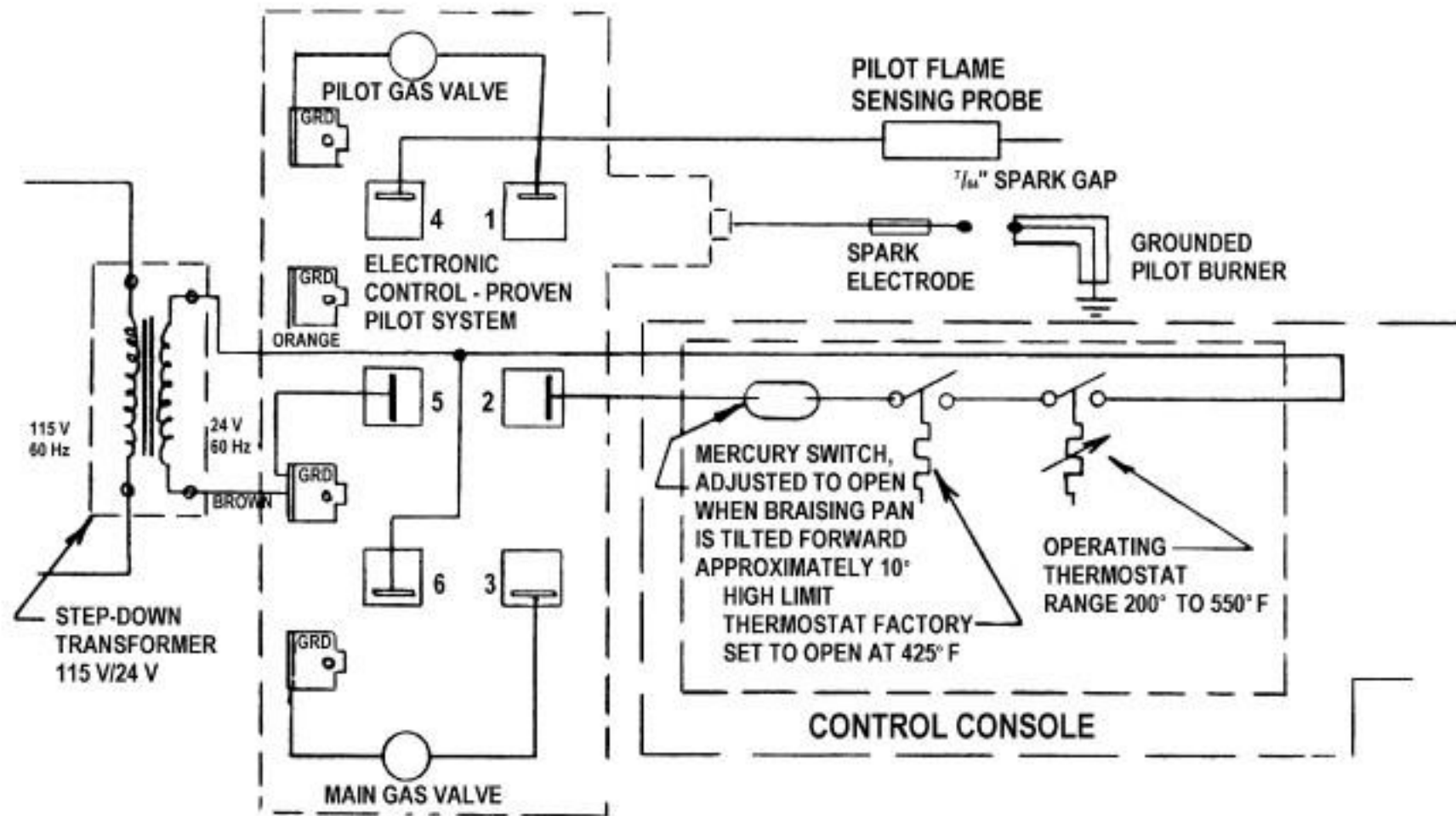
**B-8720-60**

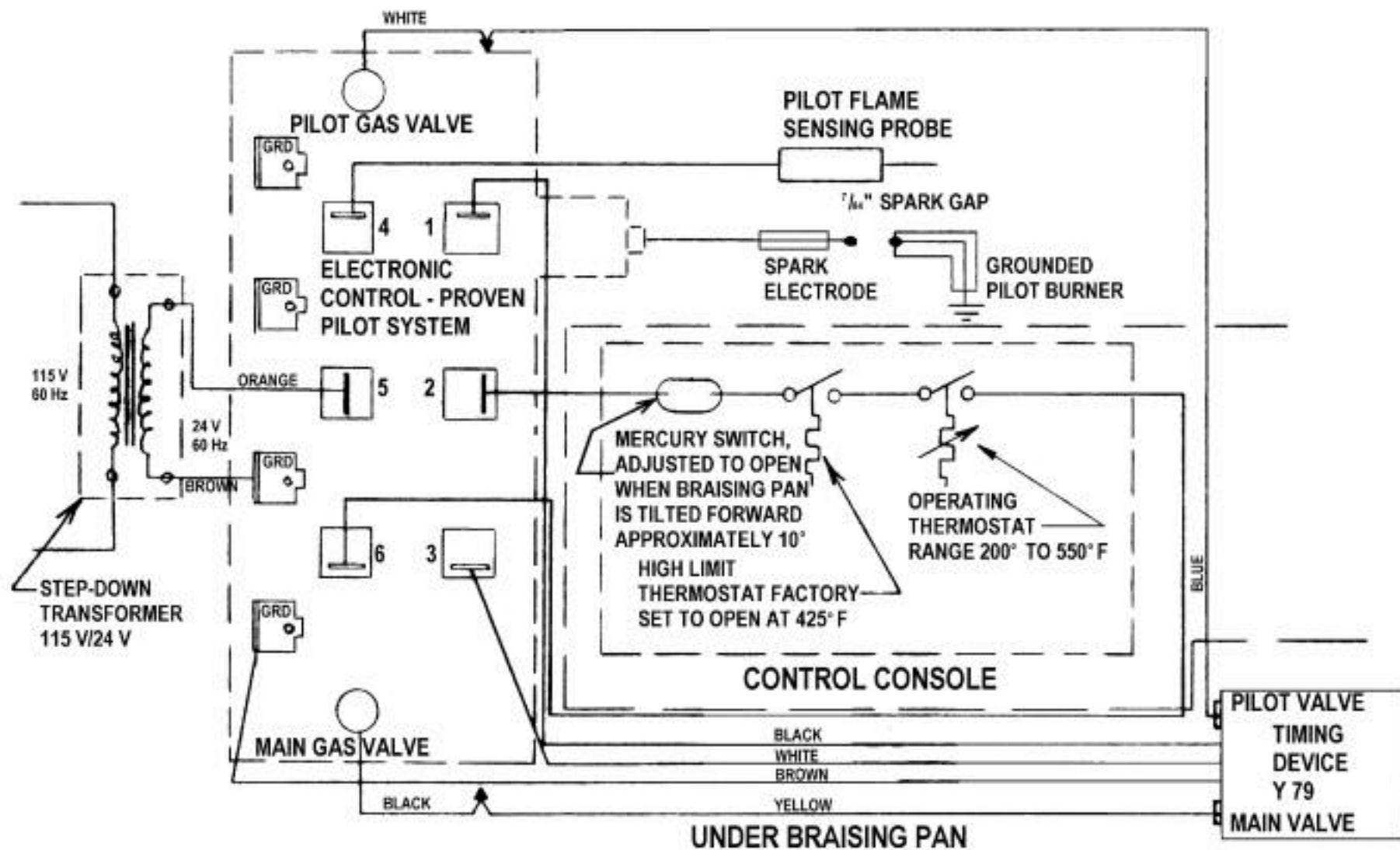
**Standing Pilot Ignition  
Size 3 Pan**

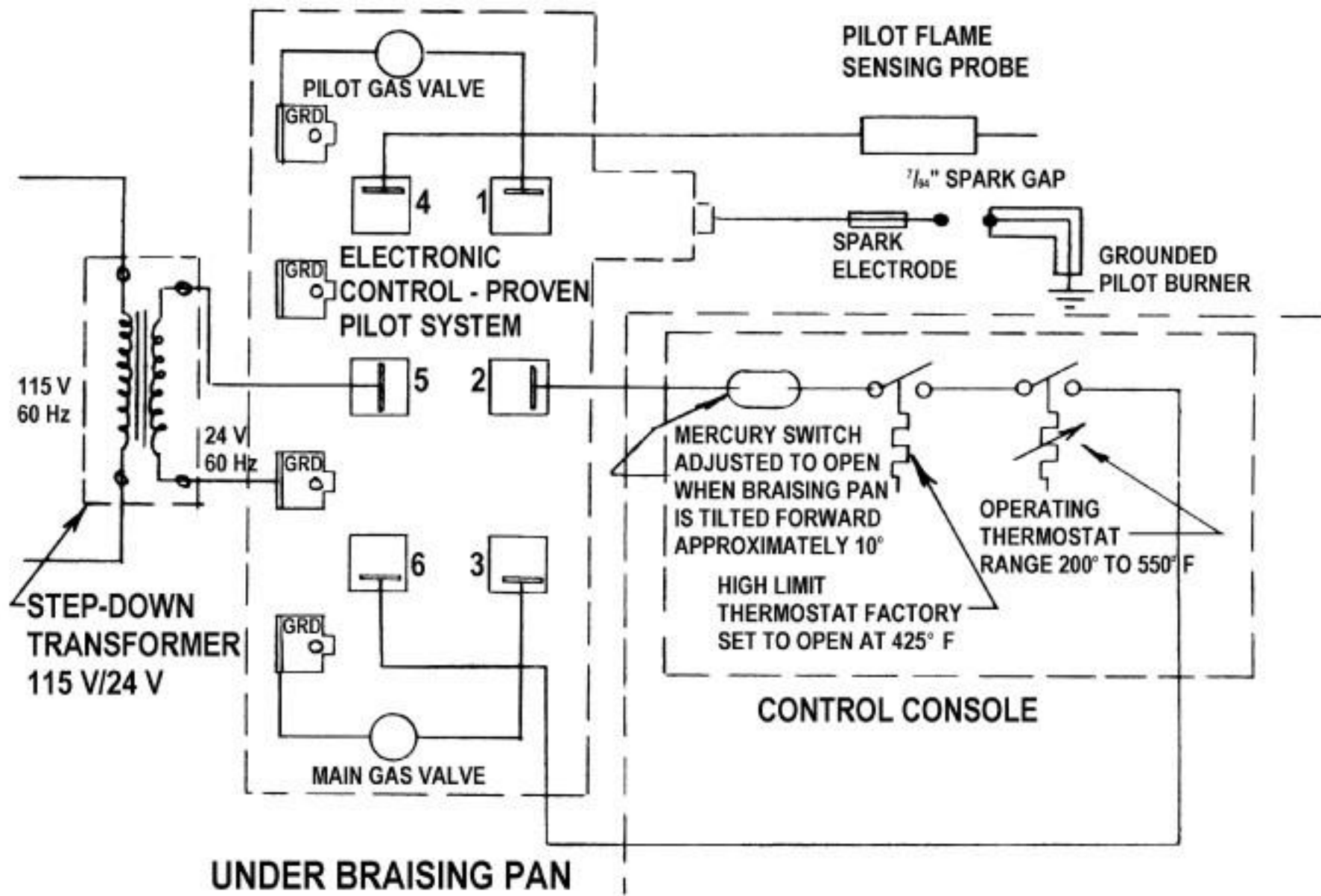


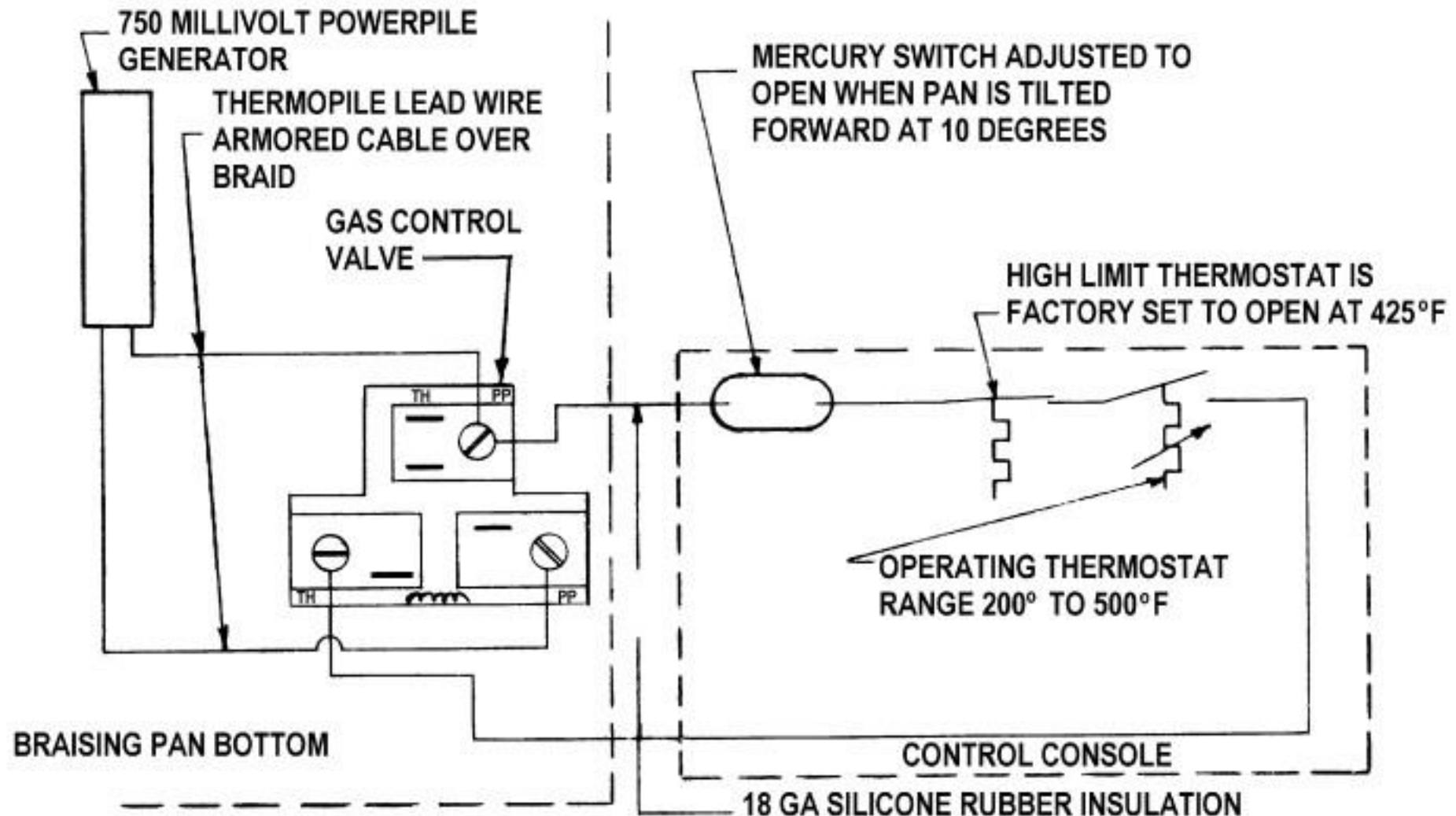
B-8720-61

## Carborundum Coil Ignition Size Three Pan









**NOTES:**

1. SEAL ALL SPLICES AND TERMINALS WITH GLYPTOL.
2. CLEAN AND SCRAPE ALL WIRE CONNECTIONS.