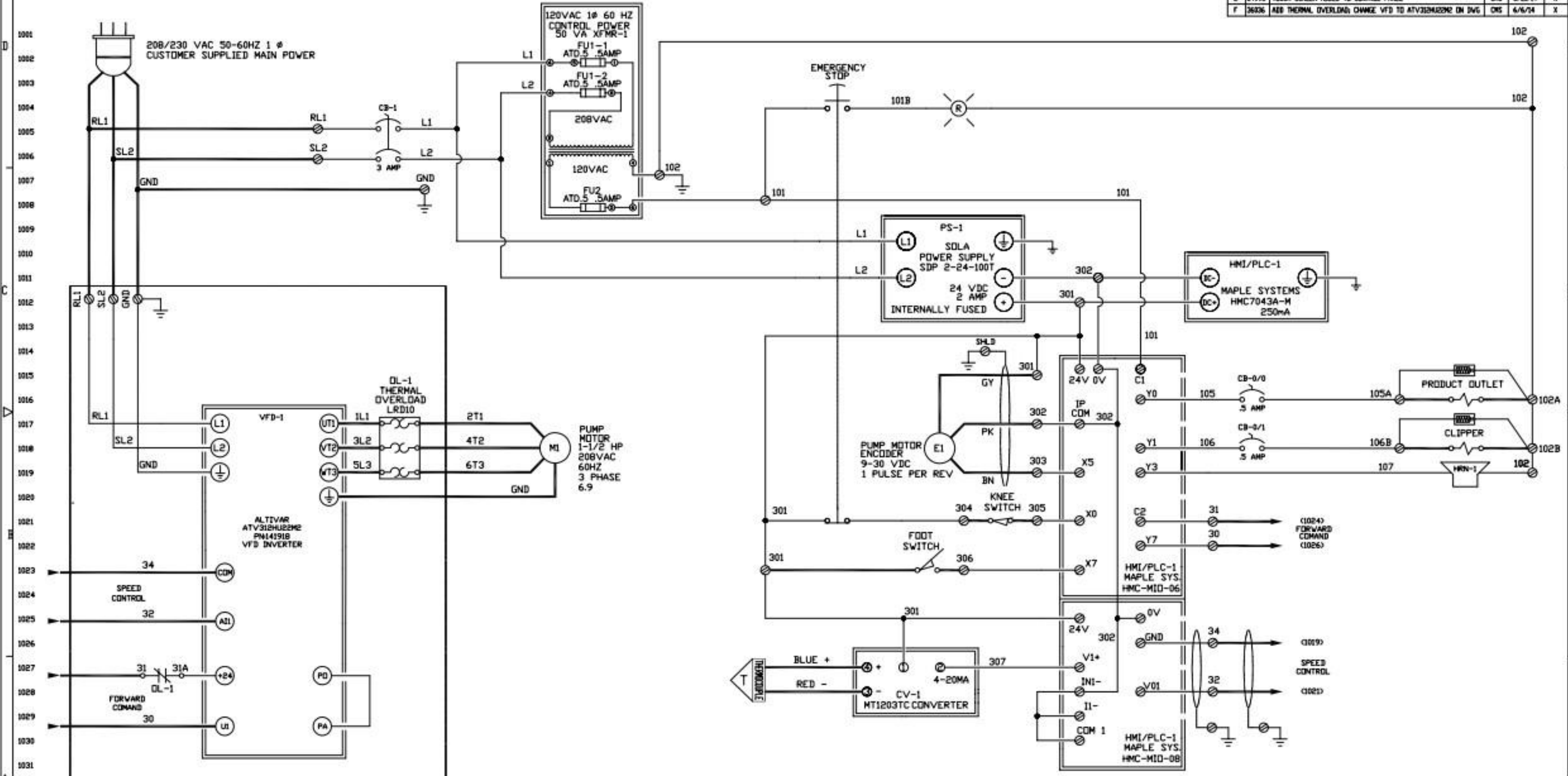


REVISIONS				
REV	EDN	DESCRIPTION	BY	DATE
A	6990	RELEASED FOR PRODUCTION	KBT	1/2/02
B	8474	+12V WAS +25V; DELETED P/N 129335	KBT	3/13/04
C	8743	NEW INVERTER, WAS 120VAC ALTIVAR ATV3080M2	JET	10/2/02
D	9316	CORRECT WIRING ON ISOLATION TRANSFORMER SWAP REDBLACK	JET	3/3/03
E	14995	TOUCH SCREEN ADDED TO CONTROL PANEL	OKS	5/25/04
F	16036	ADD THERMAL OVERLOAD CHANGE VFD TO ATV312HU22M2 ON DWG	OKS	6/6/04



- NOTES:**
- ANY DEVIATION FROM SPECIFICATION REQUIRES ENGINEERING APPROVAL
 - GROUND WIRE AT PLUG MUST CONNECT TO A GOOD EARTH GROUND (LESS THAN 5 OHMS)
 - REINFORCE PANEL INSIDE ENCLOSURE BOTTOM WITH 3/16" PLATE, THEN PUNCH MOUNTING HOLES AS SHOWN
 - EXTERNAL WIRING
 - GROUND PN 141918
 - CONTROL PANEL WIRING
 - TO CONNECT THE ENCODER AND THE POTENTIOMETER, USE SHIELDED CABLE GROEN P/N 005337. FOR ALL OTHER SHIELDED CABLE, USE GROEN P/N 129343.

UNLESS OTHERWISE SPECIFIED DIMENSIONS SHOWN ARE IN INCHES WITH TOLERANCES AS FOLLOWS: FRACTIONS DECIMALS INCHES 1/8 ± .01 1/16 ± .01 3/32 ± .01 1/4 ± .01 5/16 ± .01 3/8 ± .01 1/2 ± .01 3/4 ± .01 1 ± .01 1 1/2 ± .01 2 ± .01 3 ± .01 4 ± .01 6 ± .01 8 ± .01 10 ± .01 12 ± .01 15 ± .01 20 ± .01 25 ± .01 30 ± .01 36 ± .01 48 ± .01 60 ± .01 72 ± .01 96 ± .01		THE INFORMATION CONTAINED ON THIS DRAWING IS THE PROPERTY OF MAPLE SYSTEMS INC. UNLESS OTHERWISE SPECIFIED, ALL RIGHTS ARE RESERVED.		Z:\TEMPLATES\UnifiedBrandsLogo.jpg	
MATERIAL	APPROVED	DATE	TITLE		
NA	OKS	3/21/04	CONTROL PANEL SCHEMATIC CKPF/3N PUMP/FILL, 208V/1/60Hz W/ TEMPERATURE		
FINISH	CHECKED		SIZE	DWG NO.	ASSURANCE & PRISON WINDOW.
NA			D	140101	REV F
SCALE NTS		DO NOT SCALE DRAWING		SHEET 1 of 1	