

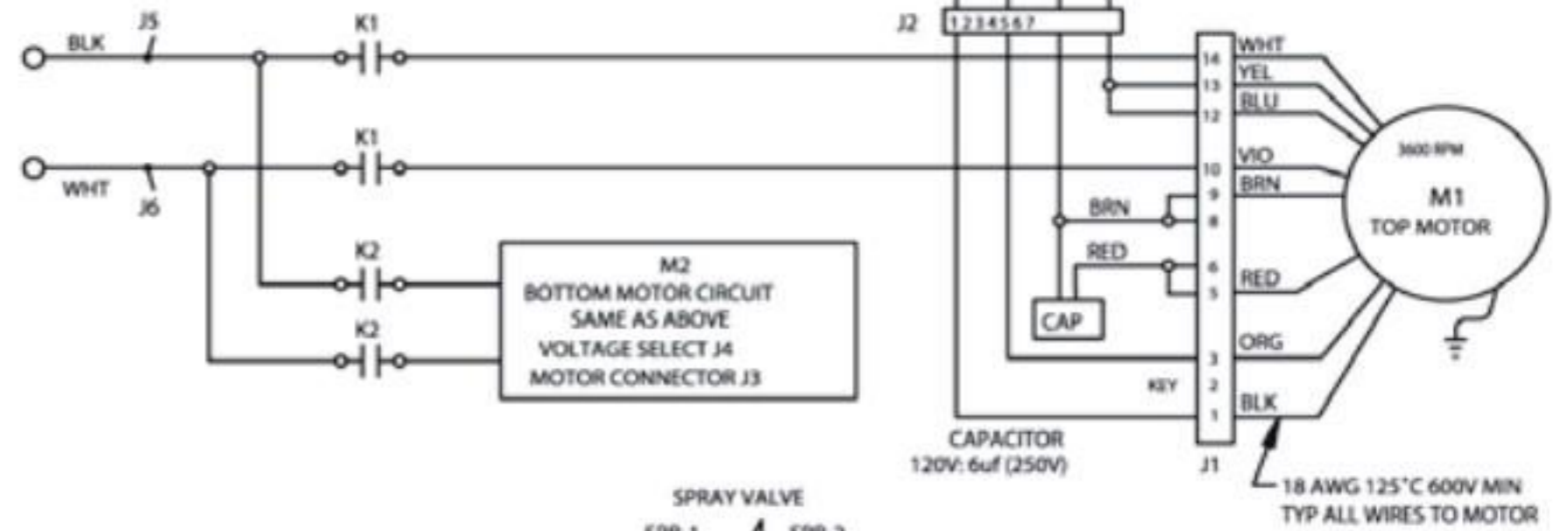
P/N 130706 REV C

120VAC FROM POWER BOX

18 AWG 105°C 600V

VOLTAGE SELECT J2

120V: JUMPER 1-5 & 3-7

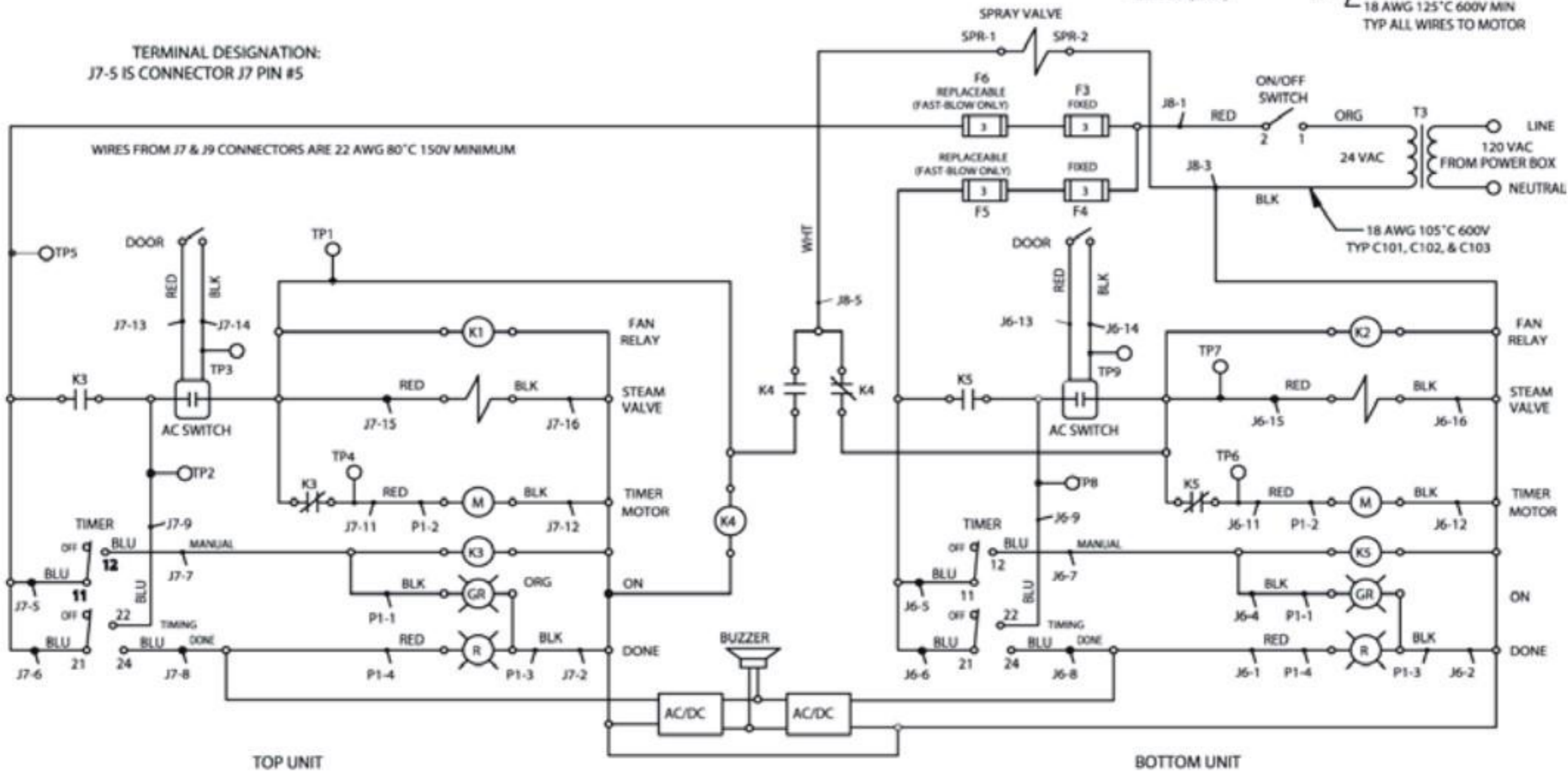


CAPACITOR
120V: 6uf (250V)

18 AWG 125°C 600V MIN
TYP ALL WIRES TO MOTOR

TERMINAL DESIGNATION:
J7-5 IS CONNECTOR J7 PIN #5

WIRES FROM J7 & J9 CONNECTORS ARE 22 AWG 80°C 150V MINIMUM



LINE
120 VAC
FROM POWER BOX
NEUTRAL

18 AWG 105°C 600V
TYP C101, C102, & C103

TOP UNIT

BOTTOM UNIT

