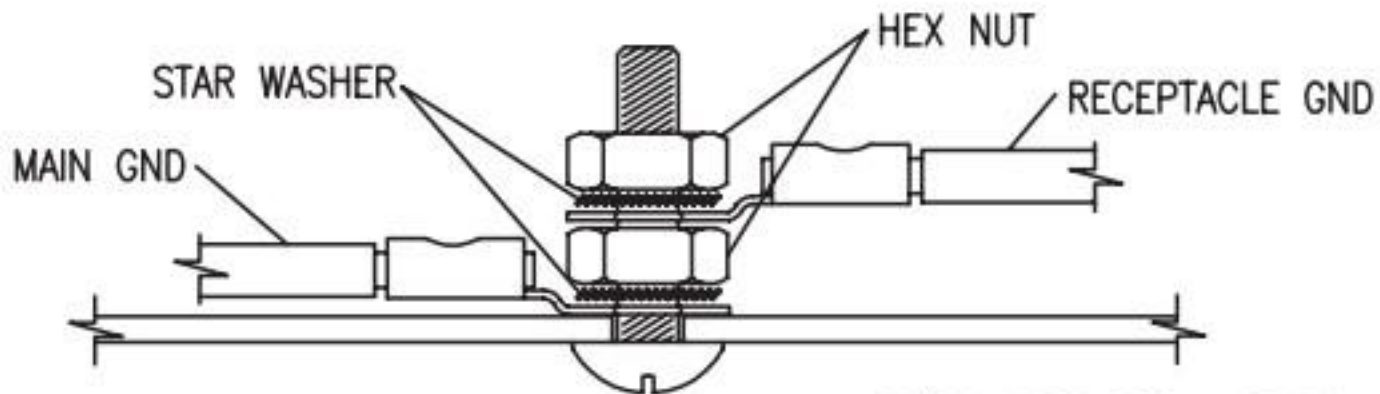
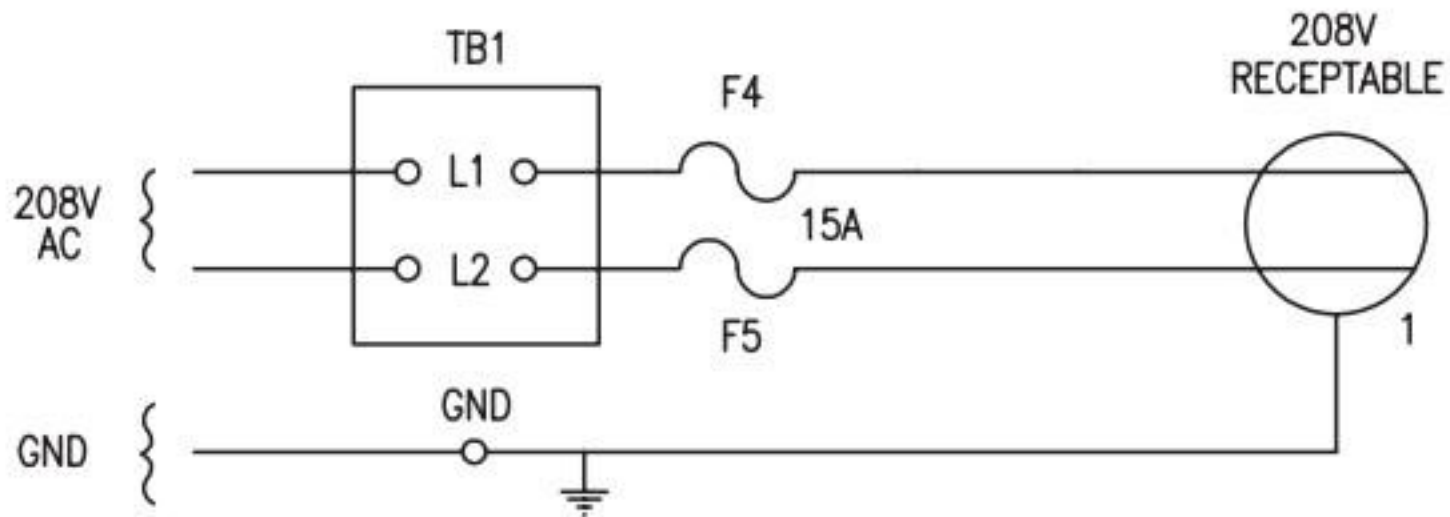
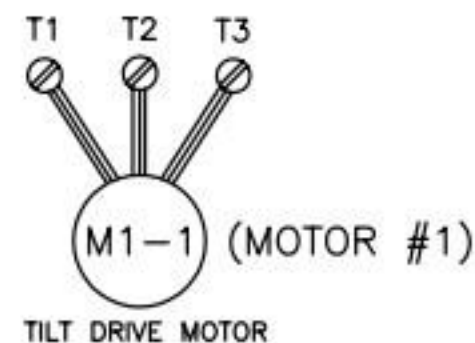
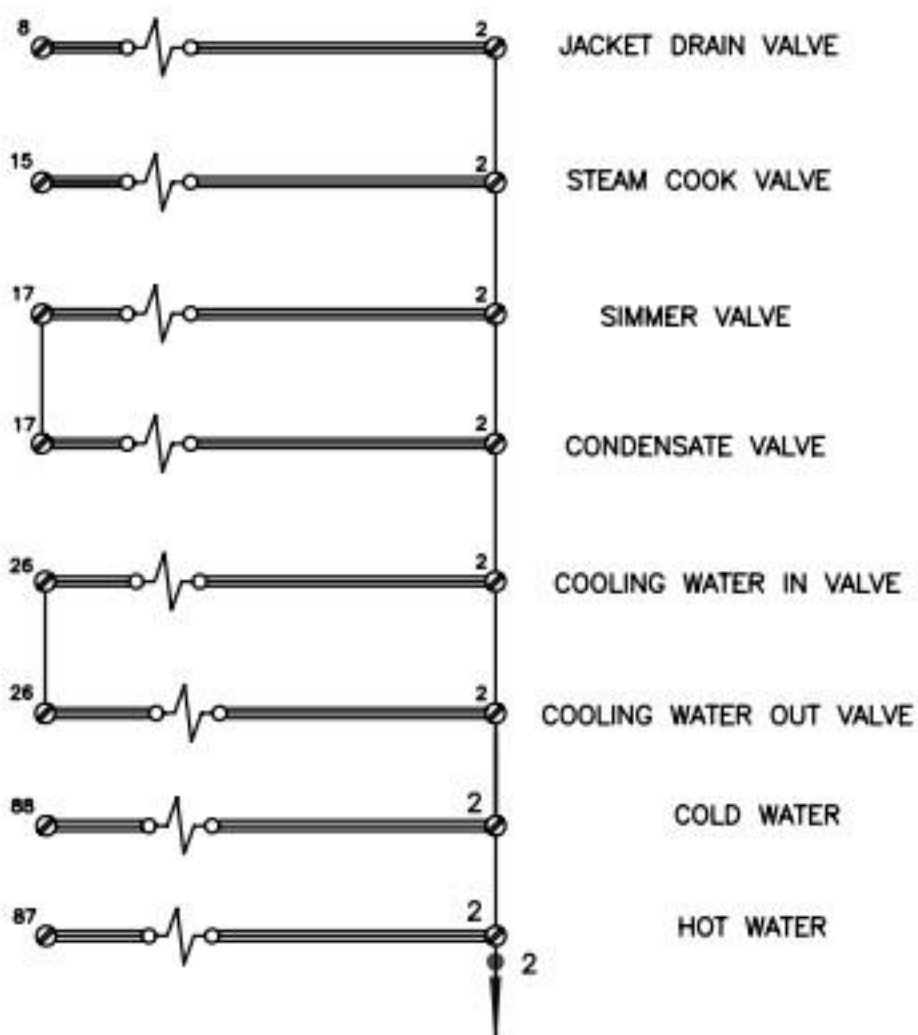
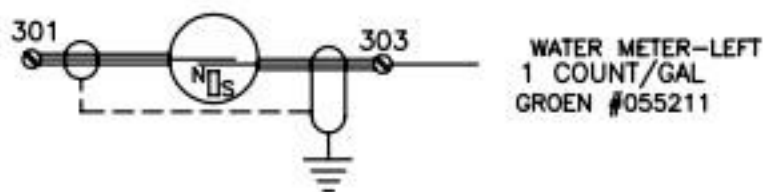
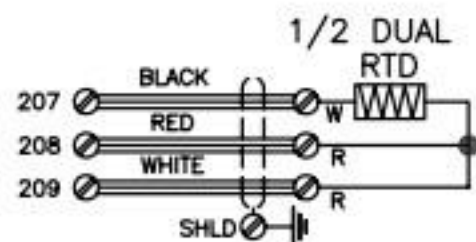
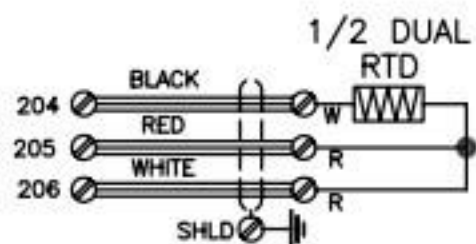
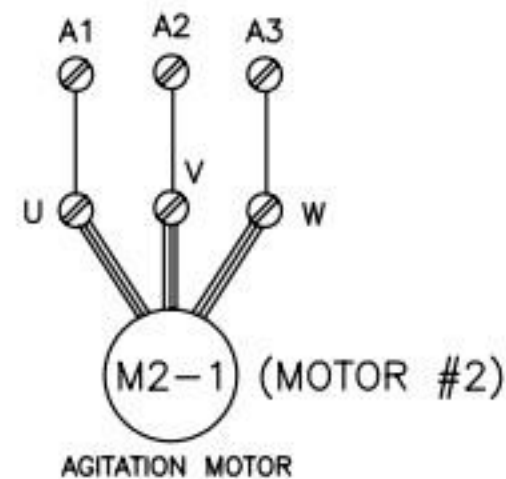
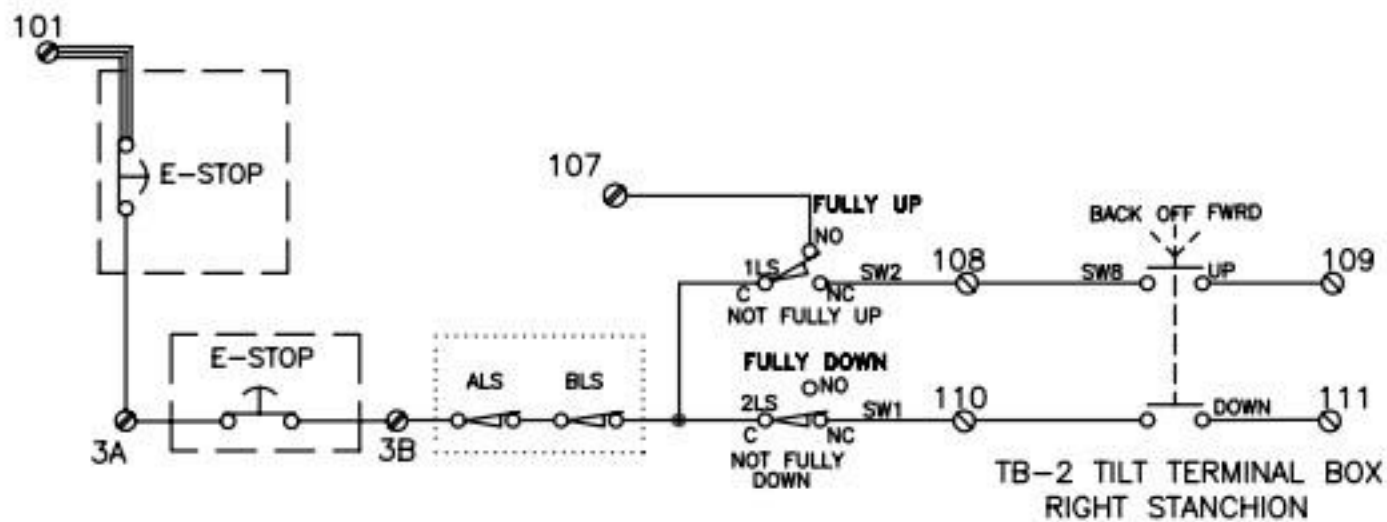


# AUXILIARY PLUG KIT FOR DH/INA/2-100



P/N 132460 REV. C



#### NOTES:

1. REPRESENTS REMOTE WIRING BETWEEN KETTLE CONTROL PANEL AND KETTLE COMPONENTS OR ICE WATER CONTROL PANEL.
2. ( ) TERMINAL NUMBERS FOR RIGHT HAND KETTLE.
3. REMOTE. LOCATED IN E-STOP/AGITATOR TILT STATION.
4. ALL EXTERNAL VALVES DRAW .5 AMP OR LESS
5. OPTIONAL SAFETY GUARD COMPONENTS