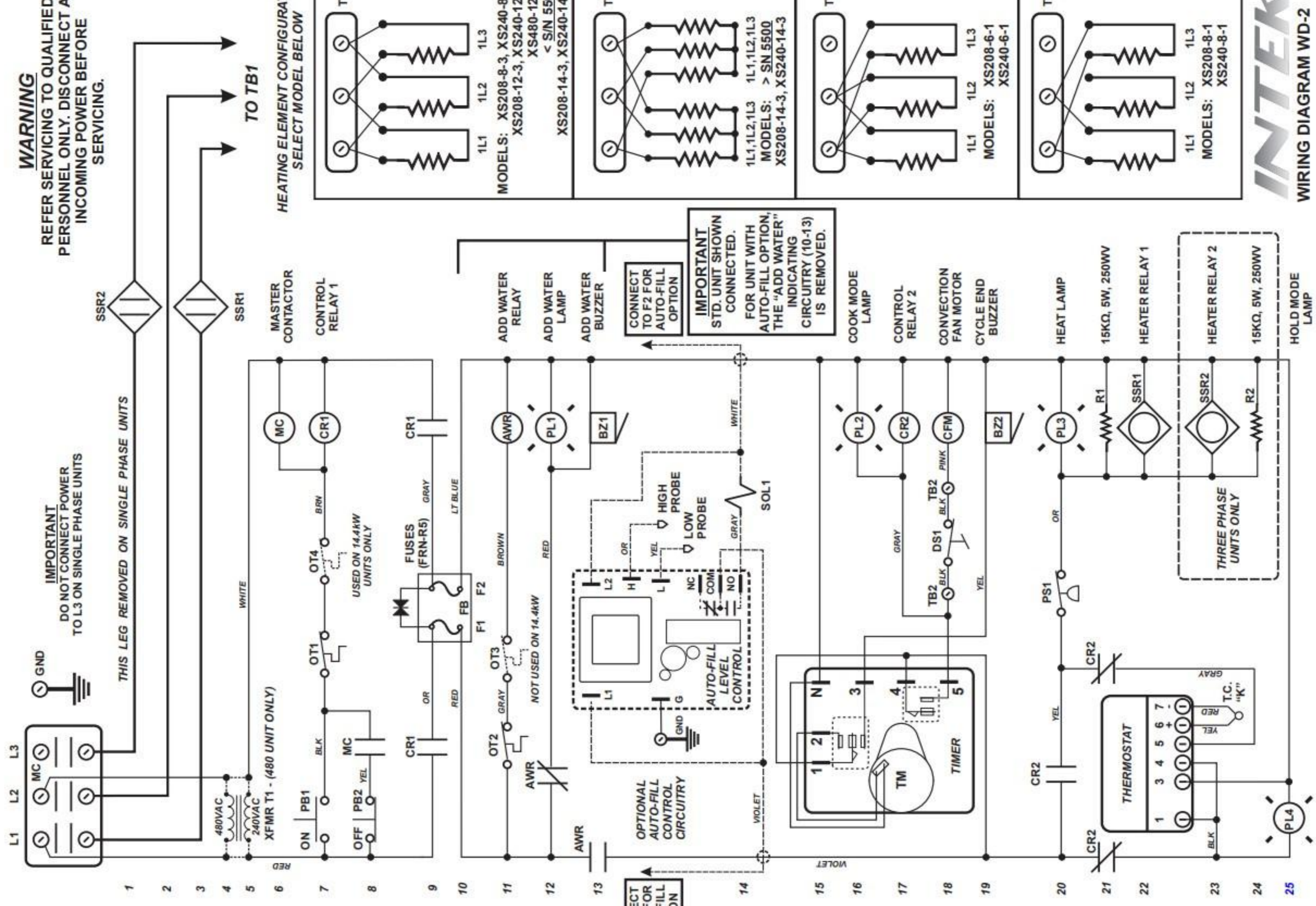


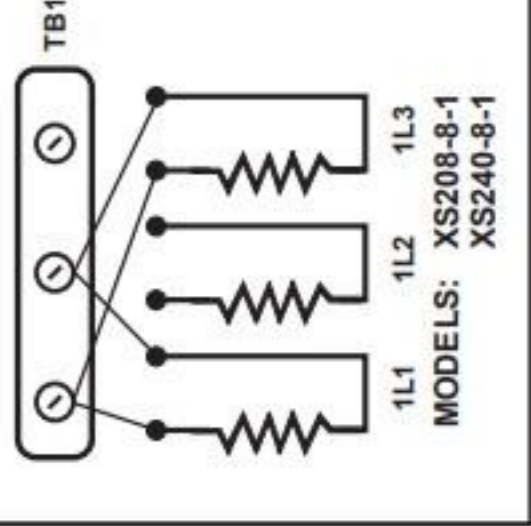
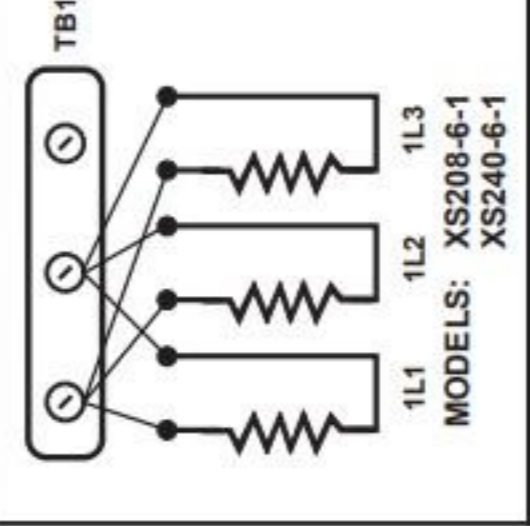
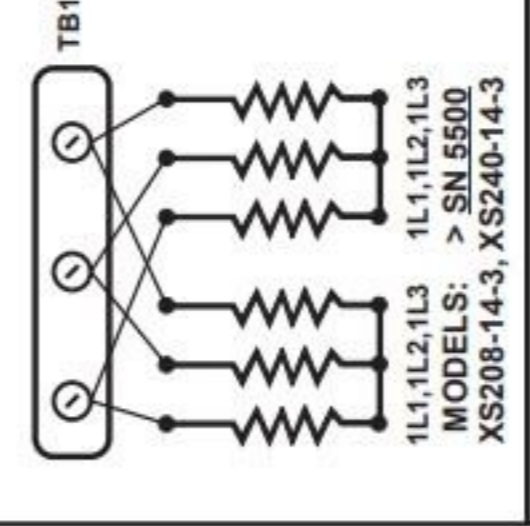
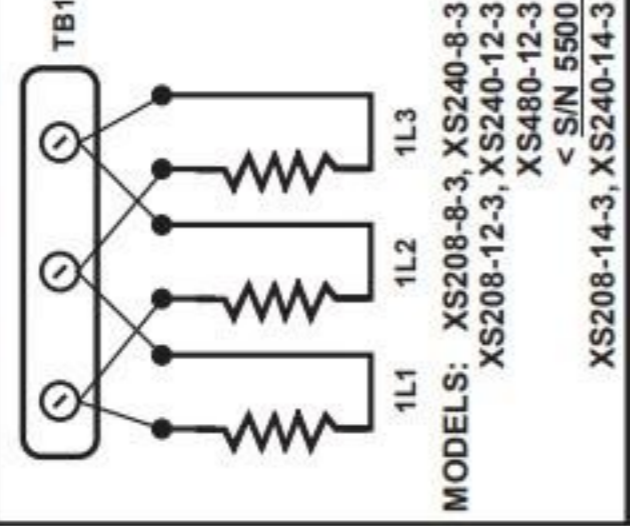
**WARNING**  
REFER SERVICING TO QUALIFIED  
PERSONNEL ONLY. DISCONNECT AC  
INCOMING POWER BEFORE  
SERVICING.

**IMPORTANT**  
DO NOT CONNECT POWER  
TO L3 ON SINGLE PHASE UNITS

THIS LEG REMOVED ON SINGLE PHASE UNITS



HEATING ELEMENT CONFIGURATION  
SELECT MODEL BELOW



CONNECT TO F1 FOR  
AUTO-FILL  
OPTION

CONNECT TO F2 FOR  
AUTO-FILL  
OPTION

**IMPORTANT**  
STD. UNIT SHOWN  
CONNECTED.  
FOR UNIT WITH  
AUTO-FILL OPTION,  
THE "ADD WATER"  
INDICATING  
CIRCUITRY (10-13)  
IS REMOVED.

THREE PHASE  
UNITS ONLY