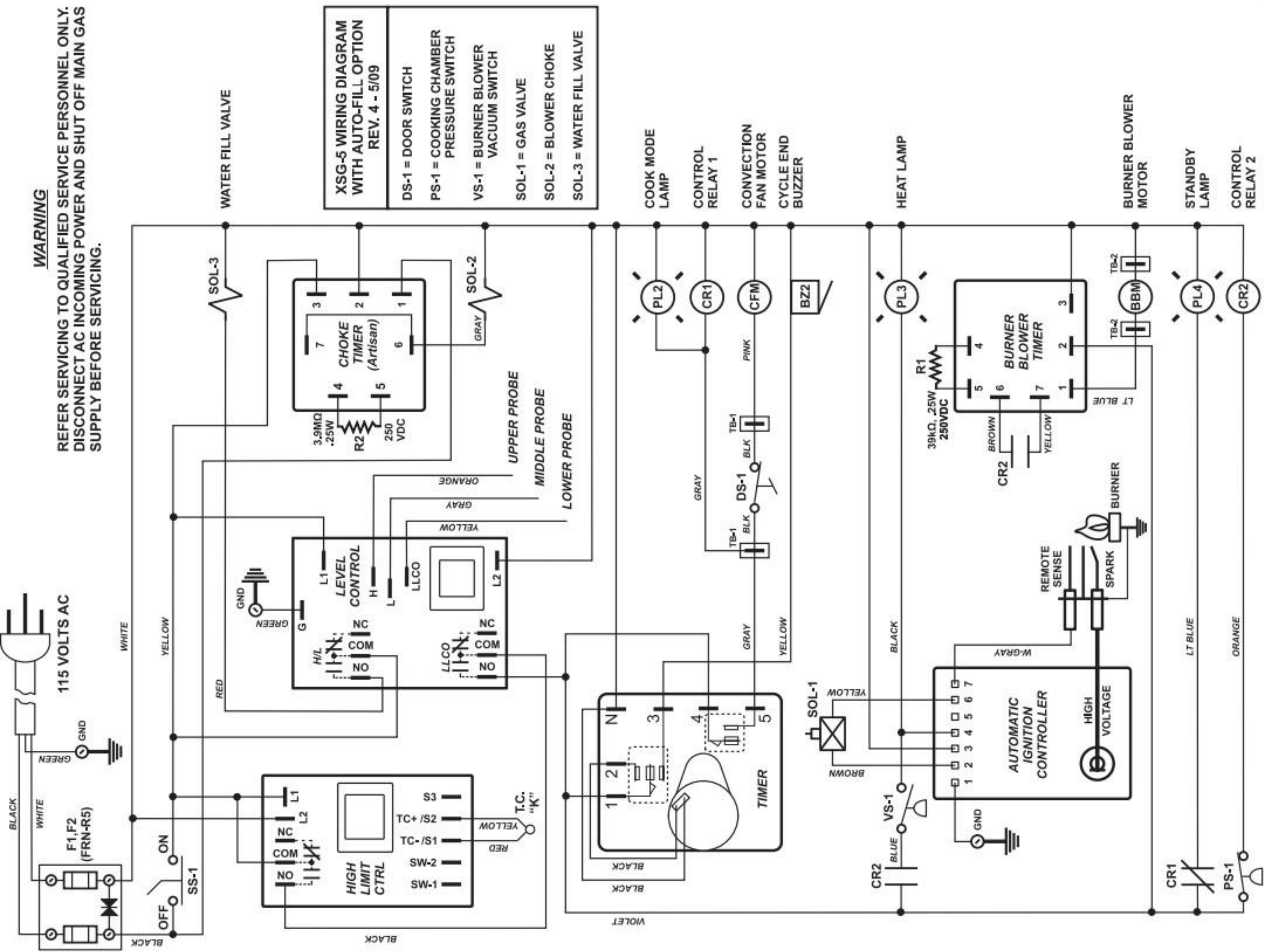




**WARNING**

REFER SERVICING TO QUALIFIED SERVICE PERSONNEL ONLY.  
DISCONNECT AC INCOMING POWER AND SHUT OFF MAIN GAS  
SUPPLY BEFORE SERVICING.



**XSG-5 WIRING DIAGRAM WITH AUTO-FILL OPTION REV. 4 - 5/09**

DS-1 = DOOR SWITCH  
PS-1 = COOKING CHAMBER PRESSURE SWITCH  
VS-1 = BURNER BLOWER VACUUM SWITCH  
SOL-1 = GAS VALVE  
SOL-2 = BLOWER CHOKE  
SOL-3 = WATER FILL VALVE

COOK MODE LAMP  
CONTROL RELAY 1  
CONVECTION FAN MOTOR  
CYCLE END BUZZER  
HEAT LAMP  
BURNER BLOWER MOTOR  
STANDBY LAMP  
CONTROL RELAY 2