

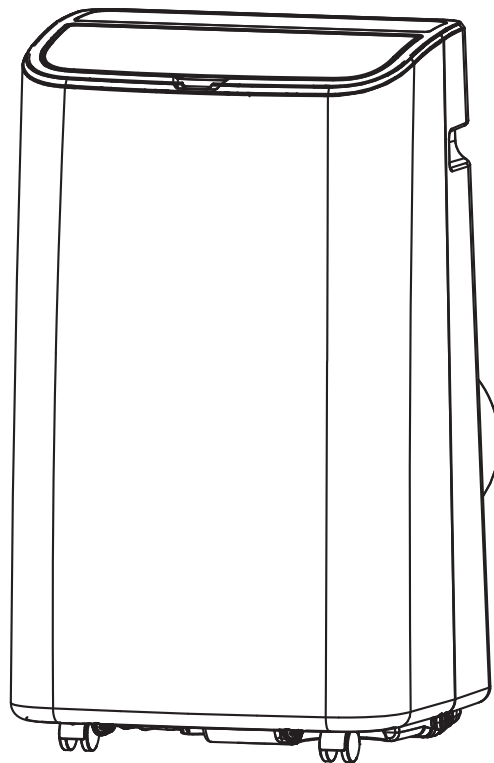
# Haier

Owner's Manual and  
Installation Instruction

Manual del propietario y  
instrucciones de instalación

Portable Air Conditioner  
Accondicionadores De Aire Para Sala

QPCA09  
QPCA10  
QPCA12



Design may vary by model number.

El diseño puede variar según  
el número de modelo



# TABLE OF CONTENTS

IMPORTANT SAFETY INFORMATION .....	4
CONTROLS .....	5
CARE AND CLEANING .....	8
INSTALLATION INSTRUCTIONS .....	10
TROUBLESHOOTING .....	14
WIFI SETUP .....	15
LIMITED WARRANTY .....	16

## RECORD KEEPING

Thank you for purchasing this Haier product. This user manual will help you get the best performance from your new air conditioner.

Para referencia futura, registre el modelo y el número de serie ubicados en el deshumidificador y la fecha de compra.

Staple your proof of purchase to this manual to aid in obtaining warranty service if needed.

---

Model number

---

Serial number

---

Date of purchase

## HAIER WEBSITE

Have a question or need assistance with your appliance? Try the Haier Website 24 hours a day, any day of the year! You can also shop for more great Haier products and take advantage of all our on-line support services designed for your convenience. In the US: [Haierappliances.com](http://Haierappliances.com)

## SAFETY INFORMATION

### IMPORTANT SAFETY INFORMATION READ ALL INSTRUCTIONS BEFORE USING THE APPLIANCE

#### IMPORTANT SAFETY INSTRUCTIONS

**▲ WARNING**

To reduce the risk of fire, electrical shock, injury to persons, or damage when using the air conditioner, follow basic precautions, including the following:

- Read all of the instructions before using this appliance.
- Plug into a grounded 3 prong outlet.
- Do not remove ground prong.
- Do not use an adapter.
- Do not use an extension cord.
- Do not operate the air conditioner if it has a damaged cord or plug, if it is not working properly, or if it has been damaged or dropped.
- The air conditioner should be serviced only by qualified service personnel. Call an authorized service company for examination, repair, or adjustment.
- Disconnect power before servicing.

- Disconnect power before cleaning.

**NOTE:** Turning off power by pressing the Power button does NOT disconnect the appliance from the power supply.

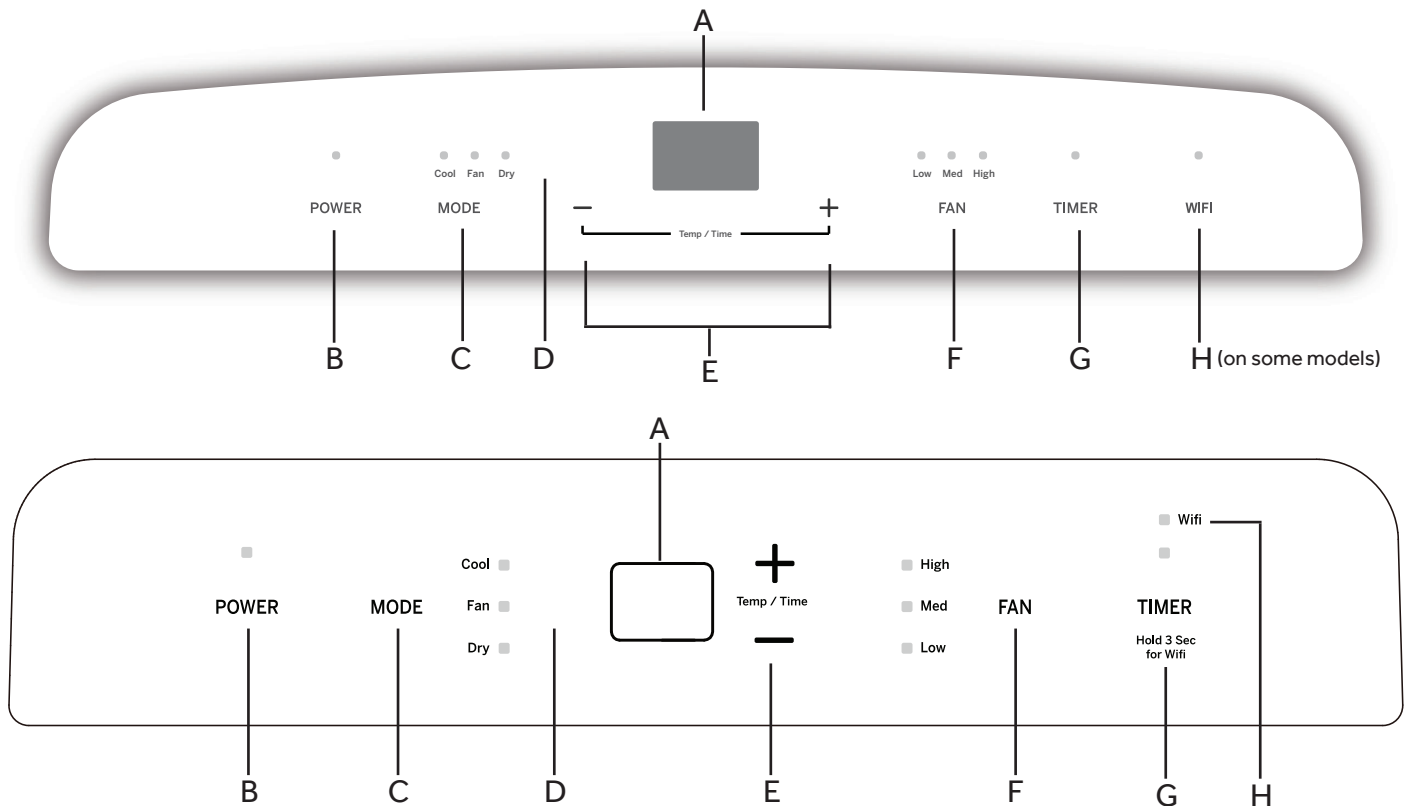
- Do not install or use the air conditioner in any area where the atmosphere contains combustible gases or where the atmosphere is contaminated. Avoid any chemicals coming in contact with your air conditioner.
- Do not store anything directly on top of the air conditioner.
- Use two or more people to move and install air conditioner.
- Never operate the air conditioner without the filters in place.
- Do not use the air conditioner near a bathtub, shower or wash basin or other wet area.

**READ AND SAVE THESE INSTRUCTIONS**

# CONTROLS

Features and appearance will vary.

Lights next to the touch pads on the air conditioner control panel indicate the selected settings.



## Controls

### A. CONTROL PANEL DISPLAY

Displays the Set Temperature in degrees Fahrenheit or degrees Celsius, or the hours remaining in a Time Delay. The corresponding indicator light will illuminate.

### B. Power Button

Turns ON/OFF power to the air conditioner.

**NOTE:** Turning off power by pressing the Power button does NOT disconnect the appliance from the power supply.

- Press the Power button. The Power indicator will illuminate.

### C. Mode Button

Press the Mode button to toggle among the operating options.

The corresponding indicator will illuminate:

Cool – Cools the room to the set temperature

Dry – Reduces the humidity in the room

Fan – Circulates the air in the room without cooling.

### D. Remote Control Signal Receiving Window

Aim the Remote Control at this window so the Control will receive the signal.

### E. Up and Down Arrow Buttons

Adjusts the Temperature or Hours in Time Delay.

#### To Set the Temperature:

The temperature can be set between 61°F and 89°F (17°C and 30°C) when the air conditioner is in Cool mode.

1. Press the Mode button until the Cool mode is selected.
2. Press the Up Arrow or Down Arrow buttons to select the Temperature.

**NOTE:** The temperature cannot be set when the air conditioner is in either Fan or Dry mode.

### F. Fan Speed Button

The fan speed can be adjusted from Low speed, Medium speed, to High speed when the air conditioner is either in Cool or Fan mode.

**NOTE:** The fan speed cannot be adjusted when the unit is in Dry mode.

- Press the Fan Speed button to toggle among the three speeds. The corresponding fan speed indicator will illuminate.

### G. Timer Button

Program a time from (1-hour to 24-hours) for the air conditioner to turn Off or On. When a Time Delay is programmed, the Timer indicator light will illuminate.

#### While the air conditioner is operating:

1. Press the Timer button.
2. Press the Up/Down arrow buttons to select the number of hours you want the air conditioner to continue to operate before turning Off.

**NOTE:** Wait approximately 5 seconds for the Turn-Off time to be saved.

#### While the air conditioner is off:

1. Press the Timer button.
2. Press the Up/Down arrow buttons to select the number of hours you want the air conditioner to remain off before turning On.

**NOTE:** Wait approximately 5 seconds for the Turn-On time to be saved.

#### To cancel the timer:

- Press the Timer button once, the hours remaining will flash, press the timer button again and the timer will be canceled.

### H. WiFi Connect Pad (on some Models)

1. Connect your air conditioner to WiFi router.
2. Press and hold the timer button for 3 seconds to connect the app or disconnect the app.

Refer to the "WiFi Set up" section for more information.

# CONTROLS

The display will always default to show the room temperature. When the air conditioner is turned on, it will automatically start in the last mode and fan settings selected.

## Cool Mode

Use the COOL mode for cooling.

To set the COOL mode:

1. Press the **MODE** pad until the **COOL** indicator light is lit.
2. Press the **FAN** pad to set HIGH, MEDIUM, or LOW fan speed.
3. Press **+ or -** to set the desired temperature between 61°F and 89°F in 1°F increments.

After settings have been made, the display will change back to show the room temperature.

The temperature control is used to maintain the room temperature. The compressor will cycle on and off to keep the room at the set level of comfort. Set the temperature control at a lower number and the indoor air will become cooler. Set the temperature control at a higher number

and the indoor air will become warmer. **NOTE:** If the air conditioner is off and is then turned on while set to COOL, it will take approximately 3 minutes for the compressor to start and cooling to begin.

### Cooling Descriptions

**For Normal Cooling**—Select the COOL mode and HIGH, MEDIUM, or LOW fan speed with a middle set temperature.

**For Maximum Cooling**—Select the COOL mode and HIGH fan speed with a lower set temperature.

**For Quieter & Nighttime Cooling**—Select the COOL mode and LOW fan speed with a middle set temperature.

**NOTE:** If you switch from COOL or DRY mode setting to OFF, wait 3 minutes before restarting.

## DRY Mode—Dehumidification

Use the DRY mode to provide dehumidification only. The fan will run at a fixed speed at this setting, so a fan speed cannot be set. Keep windows and doors closed for the best dehumidifying effects.

### To set the DRY mode:

- Press the **MODE** pad until the DRY indicator light is lit.

In the DRY mode, a set temperature will not be displayed. After DRY mode has been set, the display will change back to show the room temperature.

**NOTE:** If you switch from a DRY setting to OFF or to a fan setting, wait at least 3 minutes before switching back to a DRY setting.

## FAN Mode

Use the FAN mode to provide air circulation and filtering without cooling.

### To set the FAN mode:

- Press the FAN pad until the desired indicator light for high, medium, or low fan speed is lit.

Since fan only settings do not provide cooling, a set temperature will not be displayed. After FAN speed has been set, the display will change back to show the room temperature.

The exhaust hose and window kit do not need to be installed when operating in fan mode.”

## HEAT Mode

Use the Heat mode at Low, Med, High or Auto Fan Speed for heating. Use the Temperature Increase (+) /Decrease (-) pads to set the desired temperature between 61°F and 86°F in 1°F increments.

An electronic thermostat is used to maintain the room temperature. The heater will cycle on and off to keep the room at the set level of comfort.

## Power Outage Recovery Feature

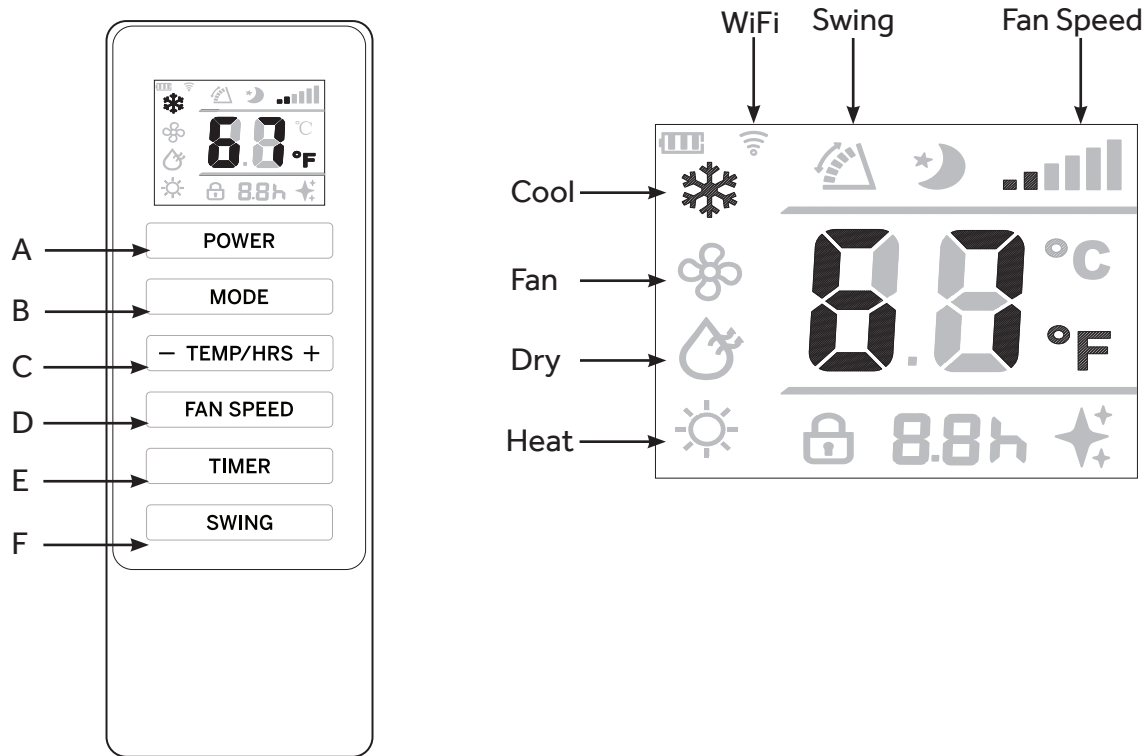
In the case of a power outage or interruption, the unit will automatically re-start in the settings last used after the power is restored.

**NOTE:** If the TIMER was set before the power outage, it will need to be reset after power is restored.

# CONTROLS

Features and appearance may vary.

Icons on the remote control indicate the selected settings



## REMOTE CONTROL

1. Insert the two batteries (provided).
2. Aim the remote control at the signal receiver on the control panel to operate the air conditioner.

### A. Power

Turns ON/OFF power to the air conditioner.

**NOTE:** Turning off power by pressing the Power button does NOT disconnect the appliance from the power supply.

- Press the Power button. The Power indicator will illuminate.

### B. Mode

Press the Mode button to toggle among the operating options. The corresponding indicator will illuminate:

Heat (on some models) - Heats the room to the set temperature

Cool - Cools the room to the set temperature

DRY - Reduces the humidity in the room

Fan - Circulates the air in the room without cooling

### C. Temperature

Adjusts the Temperature or Hours in Time Delay.

#### To Set the Temperature:

The temperature can be set between 61°F and 89°F (17°C and 30°C) when the air conditioner is in Cool mode.

1. Press the Mode button until the Cool mode is selected.
2. Press the Up Arrow or Down Arrow buttons to select the Temperature.

**NOTE:** The temperature cannot be set when the air conditioner is in either Fan or DRY mode.

**NOTE:** The Up Arrow and Down Arrow buttons, when pressed at the same time, allow you to select between displaying the temperature in °C or °F. The corresponding indicator will illuminate.

### D. Fan Speed

The fan speed can be adjusted from Low, Medium, to High speed when the air conditioner is in operation.

**NOTE:** The fan speed cannot be adjusted when the unit is in DRY mode.

- Press the Fan Speed button to toggle among the three speeds. The corresponding fan speed indicator will illuminate.

### E. Timer

Program a time from (1-hour to 24-hours) for the air conditioner to turn Off or On. When a Time Delay is programmed, the Timer indicator light will illuminate.

### F. Swing Button

The louvers on your portable air conditioner will open automatically (do not pry them open or push them shut).

Use the Swing Button on your remote to adjust the louvers in the position you would like them to be in, or to operate in Swing mode the louvers will continue to move up and down.

# CARE AND CLEANING

## CLEANING

### ⚠ WARNING



#### Electrical Shock Hazard

Disconnect power before cleaning.

Failure to do so can result in death or electrical shock.

1. Unplug or disconnect power.
2. Use only a soft cloth dampened with water to clean the cabinet.

#### NOTE:

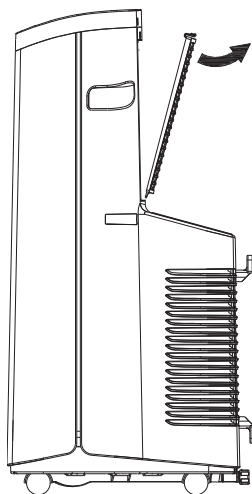
- Do not use a liquid or spray cleaner to clean the air conditioner.
  - **DO NOT** use chemicals, abrasives, ammonia, chlorine bleach, concentrated detergents, solvents or scouring pads. Some of these chemicals/items may damage and/or discolor your air conditioner.
3. Dry thoroughly with a soft cloth.
  4. Plug in or reconnect power.

## Air Filter

The air filters should be cleaned at least every two weeks for your unit to operate at optimum efficiency.

### ⚠ CAUTION

**DO NOT** operate the air conditioner without a filter because dirt and lint will clog it and reduce performance.



#### To remove:

1. Unplug or disconnect power.
2. Pull to remove upper filter panel.
3. Wash or vacuum the dust from the air filters.

**NOTE:** If washed, gently shake the filter to remove the excess water and dust particles trapped in the filter.

4. Reinstall the filters.
5. Plug in or reconnect power.

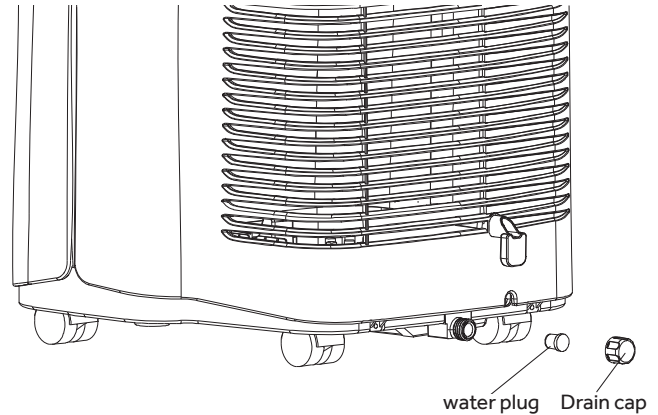
# CARE AND CLEANING

## Internal Water Tank

The Water Full indicator ("FL" on the control panel display) illuminates when the internal water tank has filled with condensed water.

To Empty the Internal Water Tank:

1. Unplug or disconnect power.
2. Place a shallow 1 quart or larger pan (not included) below the lower drain located on the back (near the bottom) of the air conditioner.
3. Remove the cap and the rubber plug and drain the water tank.
4. Re-insert the drain plug and screw the cap snugly into place.
5. Plug in or reconnect power.



## Storage

If the unit is not being used for a long period of time:

To Empty the Internal Water Tank:

1. Unplug or disconnect power.

2. Drain the water from the water tank. (See "Internal Water Tank section" above.)
3. Use the original packaging to repack the unit to avoid a buildup of dust or dirt.
4. Store the air conditioner in a cool, dry location.

## How to Insert the Batteries in the Remote Control

1. Remove the battery cover by sliding it according to the arrow direction.
2. Insert new batteries, making sure that the (+) and (-) of battery are installed correctly.
3. Reattach the cover by sliding it back into position.

### NOTES:

- Use 2 "AAA" (1.5 volt) alkaline batteries. Do not use rechargeable batteries.
- Remove the batteries from the remote control if the system is not going to be used for a long time.
- Do not mix old and new batteries. Do not mix alkaline, standard (carbon-zinc) or rechargeable (ni-cad, ni-mh, etc) batteries.

# INSTALLATION INSTRUCTIONS

Questions? visit our Website at: [haierappliances.com](http://haierappliances.com).

## BEFORE YOU BEGIN

Read these instructions completely and carefully.

- **IMPORTANT** — Save these instructions for local inspector's use.
- **IMPORTANT** — Observe all governing codes and ordinances.
- **Note to Installer** – Be sure to leave these instructions with the Consumer.
- **Note to Consumer** – Keep these instructions for future reference.
- **Skill level** – Installation of this appliance requires basic mechanical skills.
- **Completion time** – Approximately 1 hour
- We recommend that two people install this product.
- Proper installation is the responsibility of the installer.
- Product failure due to improper installation is not covered under the Warranty.
- You **MUST** use all supplied parts and use proper installation procedures as described in these instructions when installing this air conditioner.

## ELECTRICAL REQUIREMENTS



Some models require a 115/120-volt AC, 60-Hz grounded outlet protected with a 15-amp time-delay fuse or circuit breaker.

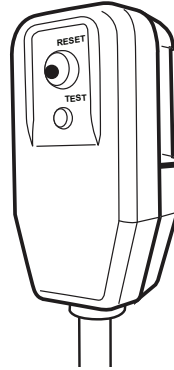
The 3-prong grounding plug minimizes the possibility of electric shock hazard. If the wall outlet you plan to use is only a 2-prong outlet, it is your responsibility to have it replaced with a properly grounded 3-prong wall outlet.

## ⚠ CAUTION

Do not, under any circumstances, cut or remove the third (ground) prong from the power cord.

Do not change the plug on the power cord of this air conditioner.

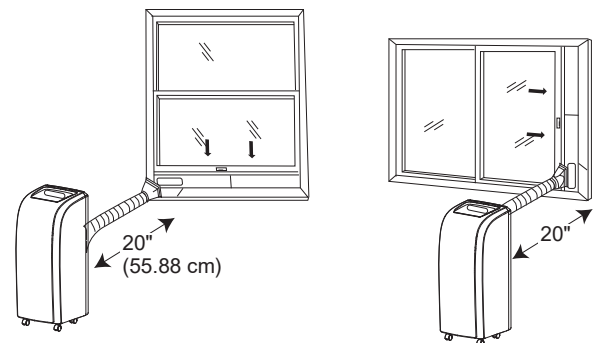
Aluminium house wiring may present special problems—consult a qualified electrician.



Power cord includes a current interrupter device. A test and reset button is provided on the plug case. The device should be tested on a periodic basis by first pressing the TEST button and then the RESET button while plugged into the outlet. If the TEST button does not trip or if the RESET button will not stay engaged, discontinue use of the air conditioner and contact a qualified service technician.

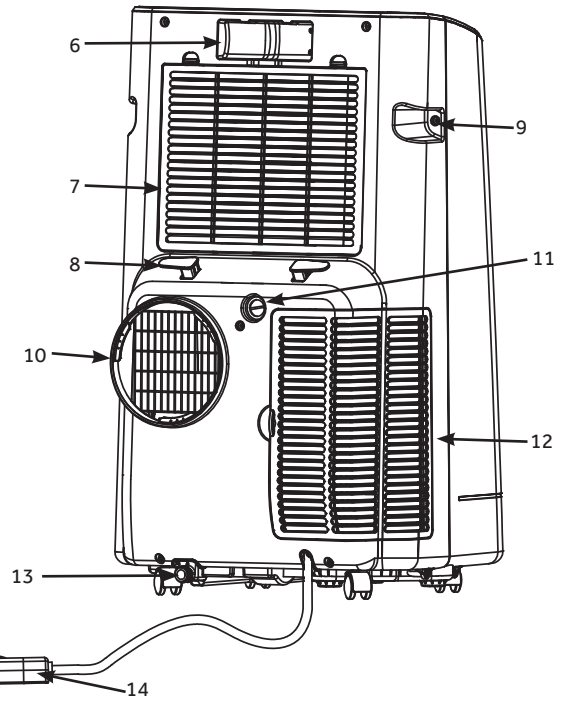
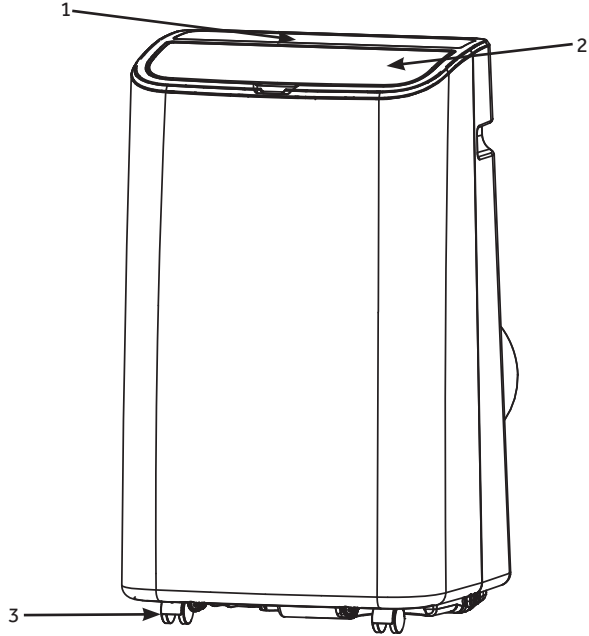
## LOCATION REQUIREMENTS

- Place the air conditioner on a flat, level surface in a location that is at least 30" (76.2 cm) from any wall.
- NOTE:** A minimum clearance of 30" (76.2 cm) from the air conditioner to the wall must be maintained to ensure proper airflow.
- Maintain a minimum 30" (76.2 cm) clearance around the air conditioner to not block airflow.
  - Keep the air conditioner free of any obstructions such as drapes, curtains, blinds, etc.
  - The exhaust hose should be free of any obstructions.
  - Do not place the air conditioner on an unstable or raised surface because it could fall and cause damage or injury.
  - Do not place the air conditioner in direct sunlight or near a heat source such as baseboard heaters, stoves, etc.
  - The window panel can be installed in a window with a minimum 20" (55.88 cm) to a maximum 46" (121.92) opening.

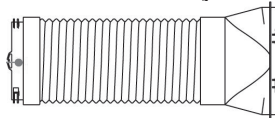


# INSTALLATION INSTRUCTIONS

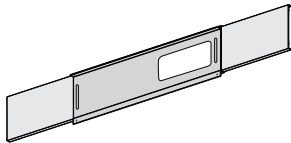
## PARTS INCLUDED (Appearance may vary)



- 1. Control Panel
- 2. Swing Air Louvers
- 3. Casters
- 4. Exhaust hose assembly



- 5. Window sealing plate assembly



- 6. Remote Control
- 7. Filter Panel
- 8. Power Cord Hook (2)
- 9. Handle (2)
- 10. Air Vent - exhaust
- 11. Continuous Drainage hole
- 12. Air inlet grille
- 13. Drainage hole
- 14. Power Cord and plug

# INSTALLATION INSTRUCTIONS

## 1. UNPACK AIR CONDITIONER

### ⚠ WARNING

#### Excessive Weight Hazard

Use two or more people to move and install air conditioner.

Failure to do so can result in back or other injury.

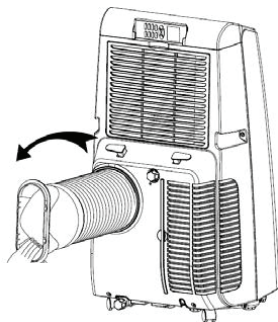
- Remove packaging materials. Save the carton and the foam packaging for storing the air conditioner when not in use.

**NOTE:** There are NO packing materials inside the air conditioner to remove—Do Not open the cabinet.

- Properly dispose of/recycle all packing material.
- Handle the air conditioner gently.
- Keep the air conditioner upright and level. Do not set the air conditioner on its side, front, back or upside down.

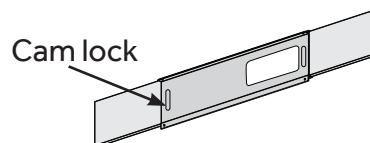
## 2. INSTALL EXHAUST HOSE ASSEMBLY TO BACK OF UNIT

Install the exhaust hose assembly by screwing the hose counterclockwise into the exhaust port on the back of the Air Conditioner.

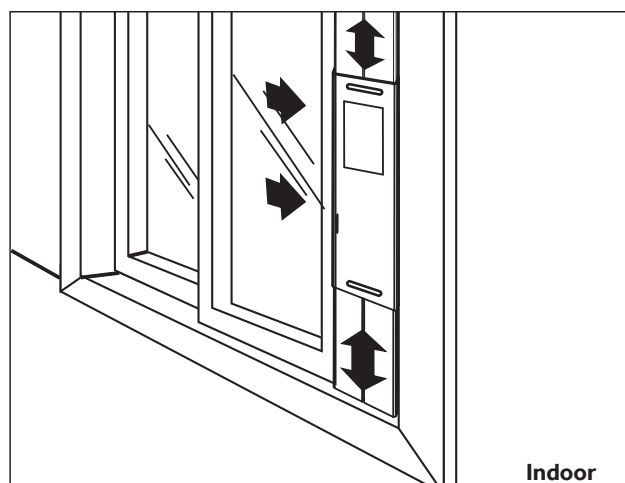
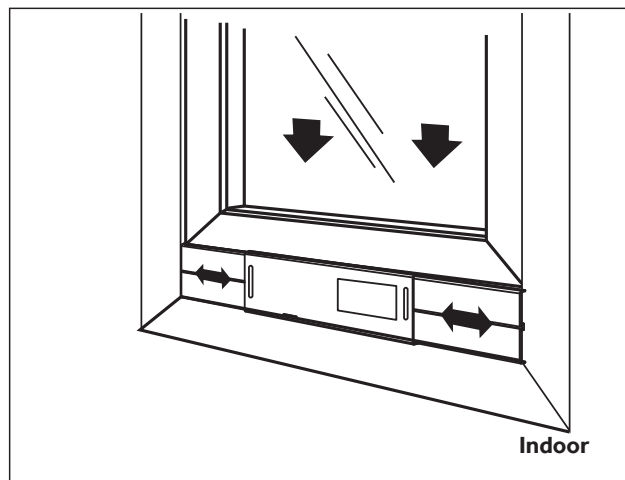


## 3. INSTALL WINDOW PANELS

- A. Measure the window opening. For a 20" opening, use just the middle panel of the Window Kit with the opening for the Exhaust Hose Adapter. For openings from 20" to 33", insert one side panel to the middle panel, for openings from 33" to 46", insert both side panels.



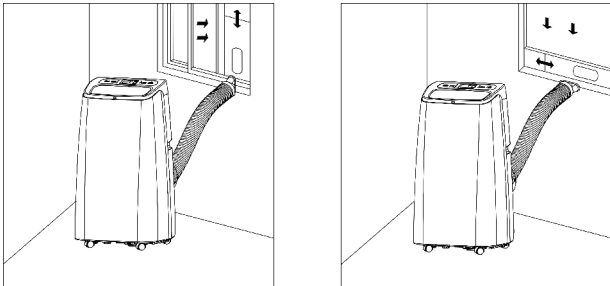
- B. Place the Window Kit into the window opening (the Cam Locks should be towards you) and slide the side panels (if being used) outward to fill the opening. Lock the panels in place with the Cam Locks. Apply the foam seals to the top, bottom and ends to provide the best seal. Slide the window shut against the Window Kit.



# INSTALLATION INSTRUCTIONS

## 4. CONNECT EXHAUST HOSE TO THE WINDOW PANEL

Place the Air Conditioner close to the window ensuring there is at least 20" of clearance from the wall and any other obstructions. Extend the hose so that it reaches the Window Kit. Insert the Exhaust Hose Adapter into the opening in the Window Kit and slide it into the locking position. Ensure that the hose runs straight to the window with no excess extension. Important: The Air Conditioner must be vented to the outside. Do not use a longer hose or extend the hose included with the Air Conditioner or the unit will not cool properly and will overheat.



## 5. COMPLETE INSTALLATION

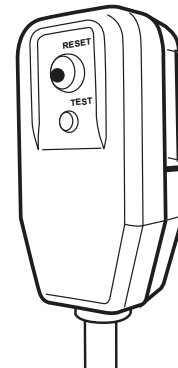
### ⚠ WARNING



#### Electrical Shock Hazard

Plug into a grounded 3 prong outlet.  
Do not remove the ground prong from the power cord plug.  
Do not use an adapter.  
Do not use an extension cord.  
Failure to do so can result in death, fire or electrical shock.

- A. Plug the power cord into a grounded 3 prong outlet.
- B. Press the Reset button on the plug to ensure the safety plug is providing power to the Air Conditioner.
- C. Allow 20" of clearance around the Air Conditioner for proper air circulation
- D. When removing the Air Conditioner, be sure to remove the Window Kit.



## TROUBLESHOOTING TIPS

Problem	Possible Causes	Solution
Unit does not start or operate	Power supply cord is not plugged into an outlet.	Plug the power cord into a grounded 3 prong outlet.
	Power supply cord has tripped.	Press and release the RESET button on the power supply cord.
	The Power button has not been pressed.	Press the Power button on the Control Panel or Remote Control to turn ON the air conditioner.
	There is no power to the electrical outlet.	Plug a working lamp into the outlet to check for power.
	A household fuse has blown or a circuit breaker has tripped.	Replace the fuse or reset the circuit breaker.
	The control was programmed for a Time Delay.	Cancel the Time Delay. See "Control Panel."
	The batteries in the remote control are dead.	Replace the batteries.
	The internal water tank is full. NOTE: The air conditioner automatically turns off, and the Water Full indicator illuminates to alert you of this condition.	Empty the water tank. See "Air Conditioner Care."
Remote control is not working	Batteries are dead.	Replace the batteries.
	Batteries are installed incorrectly.	Make sure the batteries are inserted in the correct position.
Air conditioner is working but the room is not cooling.	The room temperature is hot. NOTE: On extremely hot and humid days, the air conditioner will take longer to cool the room.	Allow time for the room to cool when you first turn on the unit. Make sure the air conditioner has an adequate BTU rating for the size of the room being cooled.
	The control is set incorrectly to Fan or DRY mode.	Set the Mode to Cool and the Fan Speed to High.
	Airflow is restricted.	Remove any obstacles to the airflow and redirect airflow for uniform cooling.
	Temperature set too high.	Lower the set temperature.
	Air filters are dirty or restricted.	Clean the air filter. See "Air Conditioner Care."
	Air conditioner installed incorrectly	Check the exhaust hose and window panel for proper installation.
	Doors and windows are open.	Close the doors and windows to the room being cooled to prevent cooled air from escaping.

### Error Codes

Error Codes	Meaning
E1	Abnormal sense of coil pipe sensor
E2	Abnormal sense of room temperature sensor
E4	Anti-frozen protection
FL	Full water

## WiFi SETUP (on some models)

### Haier Appliances WiFi Connect (for customers in the United States)

**Haier Appliances WiFi Connect Enabled\***. If your Air Conditioner (AC) has a Connected Appliance Information label located on the outside as shown below, your AC is **Haier Appliances WiFi Connect Enabled**. A WiFi communication card is built into the product allowing it to communicate with your smart phone for remote monitoring, control and notifications. Please visit [haierappliances.com/connect](http://haierappliances.com/connect) to learn more about connected appliance features, and to learn what connected appliance apps will work with your smart phone.



### How it Works

Download the Haier Home App



Use the app to connect your room air conditioner to WiFi



Once connected, use the app to turn down your air conditioner as you leave work.



### Getting Started

To connect your room air conditioner, you'll need the Haier Appliances App. The app will walk you through the connection process. Download the app from iTunes or Google Play.



All connected appliance data is held in strict accordance with the Haier Appliances Connected Data Privacy Policy. Visit [geappliances.com/privacy/privacy\\_policy\\_connected](http://geappliances.com/privacy/privacy_policy_connected) to view this policy.

### Questions about WiFi Connect

Get answers you need about setting up WiFi appliances and connecting to your home network in our support articles. Visit [products.geappliances.com/appliance/gea-support-search-content](http://products.geappliances.com/appliance/gea-support-search-content) to view WiFi connect room air conditioner support articles.

## REGULATORY INFORMATION

### FCC/IC Compliance Statement:

This device complies with Part 15 of the FCC Rules. Operation is subject to the following two conditions:

1. This device may not cause harmful interference.
2. This device must accept any interference received, including interference that may cause undesired operation.

This equipment has been tested and found to comply with the limits for a Class B digital device, pursuant to Part 15 of the FCC Rules.

These limits are designed to provide reasonable protection against harmful interference in a residential installation. This equipment generates uses and can radiate radio frequency energy and, if not installed and used in accordance with the instructions, may cause harmful interference to radio communications. However, there is no guarantee that interference will not occur in a particular installation. If this equipment does cause harmful interference to radio or television reception, which can be determined by turning the equipment off and on, the user is encouraged to try to correct the interference by one or more of the following measures:

- Reorient or relocate the receiving antenna.

- Increase the separation between the equipment and receiver.
- Connect the equipment into an outlet on a circuit different from that to which the receiver is connected.
- Consult the dealer or an experienced radio/television technician for help.

**Labelling:** Changes or modifications to this unit not expressly approved by the manufacturer could void the user's authority to operate the equipment.

**\*Select Models Only**

This product has WiFi capability and requires Internet connectivity and a wireless router to enable interconnection with an Energy Management System, and/or with other external devices, systems or applications.

Use of the Works with Apple HomeKit™ logo means that an electronic accessory has been designed to connect specifically to iPod touch®, iPhone®, or iPad®, respectively, and has been certified by the developer to meet Apple® performance standards. Apple is not responsible for the operation of this device or its compliance with safety and regulatory standards.

# LIMITED WARRANTY

For The Period Of:	Haier Appliances Will Replace:
One Year From the date of the original purchase	<b>Replacement, repair, or refund</b> of the original retail price for any product which fails due to a defect in materials or workmanship. If the unit is exchanged, the replacement unit is warranted for the remainder of your product's original one-year warranty period. Haier Appliances will, at its sole discretion, replace the product with a product of the same or comparable functionality and quality or refund the original retail price.

## In Order to Make a Warranty Claim During the First 90 Days from the Date of Original Purchase:

- Properly pack your unit. We recommend using the original carton and packing materials.
- Return the product to the retail location where it was purchased.
- Include in the package a copy of the sales receipt or other evidence of date of original purchase. Also print your name and address and a description of the defect.

## In Order to Make a Warranty Claim During the Remainder of the One-Year Warranty:

- Locate your original sales receipt and make a note of your model and serial number.
- Visit [haierappliances.com](http://haierappliances.com) to initiate the product replacement process.
- You will be asked to provide your name, address, date of purchase, model and serial number.
- Haier Appliances will arrange for a carton to be sent to your home to recover the product.
- Please return all requested materials (postage pre-paid) in the carton provided. Please include a description of the defect.
- You should receive your replacement product or refund within 7 to 10 business days after your package is received.

## What Will Not Cover:

- Customer instruction. This owner's manual provides information regarding operating instructions and user controls.
- Improper installation. If you have an installation problem, or if the air conditioner is of improper capacity, contact your dealer or installer. You are responsible for providing adequate electrical connecting facilities.
- Failure of the product resulting from modifications to the product or due to unreasonable use including failure to provide reasonable and necessary maintenance.
- Replacement of house fuses or resetting of circuit breakers.
- Failure due to corrosion on models not corrosion-protected.
- Damage to the product caused by improper power supply voltage, accident, fire, floods or acts of God.
- Incidental or consequential damage caused by possible defects with this air conditioner.
- Damage caused after delivery.

**EXCLUSION OF IMPLIED WARRANTIES** - Your sole and exclusive remedy is product repair as provided in this Limited Warranty. Any implied warranties, including the implied warranties of merchantability or fitness for a particular purpose, are limited to one year or the shortest period allowed by law.

**For US Customers:** This limited warranty is extended to the original purchaser and any succeeding owner for products purchased for home use within the USA. If the product is located in an area where service by a Haier Appliances Authorized Servicer is not available, you may be responsible for a trip charge or you may be required to bring the product to an Authorized Haier Appliances Service location for service. In Alaska, the limited warranty excludes the cost of shipping or service calls to your home.

Some states do not allow the exclusion or limitation of incidental or consequential damages. This limited warranty gives you specific legal rights, and you may also have other rights which vary from state to state. To know what your legal rights are, consult your local or state consumer affairs office or your state's Attorney General.

**Warrantor US:**  
**GE Appliances, a Haier company**  
 Louisville, KY 40225

Staple your receipt here. Proof of the original purchase date is needed to obtain service under the warranty.

# ÍNDICE

INFORMACIÓN IMPORTANTE DE SEGURIDAD .....	19
PANEL DE CONTROL .....	20
CUIDADO Y LIMPIEZA .....	22
INSTRUCCIONES DE INSTALACIÓN .....	25
SOLUCIÓN DE PROBLEMAS .....	29
CONFIGURACIÓN WIFI .....	30
GARANTÍA LIMITADA .....	31

## INFORMACIÓN A TENER EN CUENTA

Le agradecemos la compra de este producto de marca Haier. Este manual del usuario lo ayudará a obtener el mejor rendimiento de su nuevo acondicionadores de aire.

Para referencia futura, registre el modelo y número de serie ubicados en el frente, detrás del cajón de almacenamiento de la cocina, y la fecha de compra.

Engrape la prueba de compra a este manual para asistirle cuando necesite obtener servicio bajo la garantía.

---

Número de modelo

---

Número de serie

---

Fecha de compra

## SITIO WEB DE HAIER

¿Desea realizar una consulta o necesita ayuda con su electrodoméstico? ¡Intente a través del Sitio Web de Haier las 24 horas del día, cualquier día del año! Usted también puede comprar más electrodomésticos maravillosos de Haier y aprovechar todos nuestros servicios de soporte a través de Internet, diseñados para su conveniencia. En EE.UU.: [Haierappliances.com](http://Haierappliances.com)



## INSTRUCCIONES IMPORTANTES DE SEGURIDAD

### ⚠ ADVERTENCIA

Para reducir el riesgo de incendio, choque eléctrico, lesiones a personas o daños al utilizar el acondicionador de aire, siga precauciones básicas, incluyendo las siguientes:

- Lea todas las instrucciones antes de usar este electrodoméstico.
- Conecte a un contacto de pared de conexión a tierra de 3 terminales.
- No quite el terminal de conexión a tierra.
- No use un adaptador.
- No use un cable eléctrico de extensión.
- No ponga a funcionar el acondicionador de aire si tiene un cable o enchufe dañado, si no funciona correctamente o si se ha dañado o caído.
- El acondicionador de aire solo debe ser reparado por personal de servicio competente. Llame a la compañía de servicio técnico autorizada para su inspección, reparación o ajuste.
- Desconecte el suministro de energía antes de darle servicio técnico.
- Desconecte el suministro de energía antes de limpiarlo.

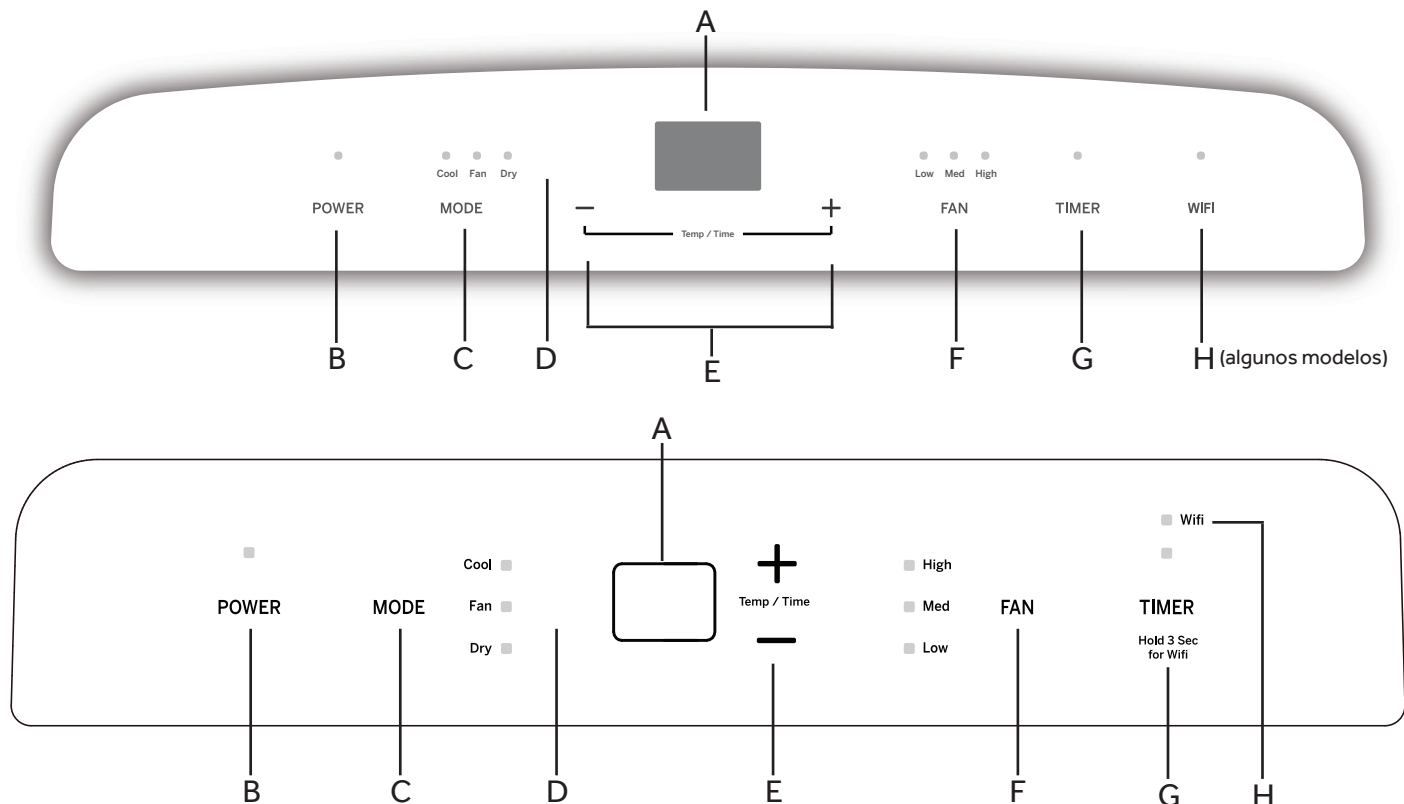
**NOTA:** Si apaga la unidad presionando el botón Power (Encendido), esto NO desconecta el electrodoméstico del suministro de energía.

- No instale ni utilice el acondicionador de aire en áreas donde la atmósfera contenga gases combustibles o donde la atmósfera esté contaminada. Evite que cualquier producto químico entre en contacto con el acondicionador de aire.
- No almacene nada directamente encima del acondicionador de aire.
- Con la ayuda de dos o más personas, mueva e instale el acondicionador de aire.
- Nunca haga funcionar el acondicionador de aire si los filtros de aire no están colocados en su lugar.
- No utilice el acondicionador de aire cerca de una tina, ducha o lavabo ni otra zona húmeda.

## LEA Y GUARDE ESTAS INSTRUCCIONES

# CONTROLES

Las luces al lado de las teclas de toque en el panel de control del acondicionador de aire indicarán los ajustes seleccionados. Las funciones y el aspecto pueden variar.



## Controles

### A. PANTALLA DEL PANEL DE CONTROL

Muestra la temperatura fijada en grados Fahrenheit o grados centígrados, o las horas restantes de un tiempo diferido. La luz indicadora correspondiente se encenderá.

### B. BOTÓN POWER (ENCENDIDO)

ENCIENDE/APAGA el acondicionador de aire.

**NOTA:** Si apaga la unidad presionando el botón Power (Encendido), esto NO desconecta el electrodoméstico del suministro de energía.

- Presione el botón Power (Encendido). La luz indicadora de Power (Encendido) se iluminará.

### C. BOTÓN MODE (MODO)

Presione el botón Mode (Modo) para alternar entre las opciones de operación. El indicador correspondiente se iluminará:

Heat (Calor) (en algunos modelos) - Calienta la habitación a la temperatura establecida

Cool (Enfriamiento): enfría la habitación a la temperatura jada

ECO (Ahorro de Energía) - Hace que el ventilador realice ciclos para refrigerar de forma económica.

Dehum (Deshumidificar): reduce la humedad en la habitación

Fan (Ventilador): hace circular el aire de la habitación sin enfriar

### D. VENTANA DE SEÑAL DEL CONTROL REMOTO

Dirija el control remoto hacia esta ventana para que el control reciba la señal.

### E. BOTONES CON FLECHAS HACIA ARRIBA Y HACIA ABAJO

#### Y HACIA ABAJO

Ajustan la temperatura o las horas del tiempo diferido.

Para bajar la temperatura:

La temperatura puede fijarse entre 62 °F y 86 °F (17 °C y 30 °C) cuando el acondicionador de aire está en modo Cool (Enfriamiento).

1. Presione el botón Mode (Modo) hasta que se seleccione el modo Cool (Enfriamiento).

2. Presione los botones con las flechas hacia arriba o hacia abajo para seleccionar la temperatura.

**NOTA:** La temperatura no se puede fijar si el acondicionador de aire está en el modo Fan (Ventilador) o Dehum (Deshumidificar).

**NOTA:** Los botones con las flechas hacia arriba y hacia abajo, cuando se los presiona al mismo tiempo, le permiten seleccionar entre mostrar la temperatura en °C o °F. El indicador correspondiente se iluminará.

### F. BOTÓN FAN SPEED (VELOCIDAD DEL VENTILADOR)

La velocidad del ventilador se puede regular desde velocidad Low (Baja) a High (Alta) cuando el acondicionador de aire está en funcionamiento.

**NOTA:** La velocidad del ventilador no se puede regular cuando la unidad está en modo Dehum (Deshumidificar).

- Presione el botón Fan Speed (Velocidad del ventilador) para alternar entre las dos velocidades. El indicador de velocidad del ventilador correspondiente se iluminará.

### G. BOTÓN TIMER (TEMPORIZADOR)

Programa un tiempo desde (1 hora a 24 horas) para que el acondicionador de aire se apague o se encienda. Cuando se programa un tiempo diferido, la luz indicadora de Timer (Temporizador) se iluminará.

**Mientras el acondicionador de aire está funcionando:**

1. Presione el botón Timer (Temporizador).
2. Presione los botones con flecha hacia arriba/abajo para seleccionar el número de horas que desea que el acondicionador de aire continúe funcionando antes de apagarse.

**NOTA:** Espere unos 5 segundos para que se guarde la hora en que se apagará.

Mientras el acondicionador de aire está apagado:

1. Presione el botón Timer (Temporizador).
2. Presione los botones con flecha hacia arriba/abajo para seleccionar el número de horas que desea que el acondicionador de aire permanezca apagado antes de encenderse.

**NOTA:** Espere unos 5 segundos para que se guarde la hora en que se encenderá.

Para cancelar el temporizador:

- Presione el botón Timer (Temporizador) una vez, las horas restantes destellarán, presione el botón Timer (Temporizador) de nuevo y el temporizador se cancelará.

### H. Tecla de WiFi Connect (en algunos modelos)

1. Conecte su acondicionador de aire al enrutador WiFi.
2. Mantenga presionado el botón del temporizador por 3 segundos para conectar o desconectar la aplicación.

**Para más información, consulte la sección de "Configuración del WiFi".**

# CONTROLES

La pantalla siempre mostrará la temperatura del ambiente por omisión.

Cuando el acondicionador de aire sea encendido, se iniciará de forma automática en las configuraciones de modo y ventilación que fueron usadas por última vez.

## Modo de Refrigeración

Use el modo COOL (Refrigeración) para enfriar.

Para configurar el modo COOL (Refrigeración):

1. Presione la tecla MODE (Modo) hasta que la luz indicadora de COOL (Refrigeración) esté encendida.
2. Presione la tecla FAN (Ventilador) para configurar la velocidad del ventilador en HIGH (Alto) o LOW (Bajo).
3. Presione + o – para configurar la temperatura deseada entre 61°F y 89°F por incrementos de 1°F.

Una vez aplicadas las configuraciones, la pantalla volverá a mostrar la temperatura ambiente.

El control de temperatura se usa para mantener la temperatura del ambiente. El compresor realizará el ciclo de encendido y apagado para mantener la sala en el nivel de confort configurado. Configure el control de temperatura en un número más bajo, y el aire interior comenzará a ser más frío. Configure el control de temperatura en un número más alto, y el aire interior comenzará a ser más caliente.

## Modo DRY (Seco) - Deshumidificación

Use el modo DRY (Seco) sólo para aplicar la deshumidificación. El ventilador funcionará en una velocidad fija en esta configuración, de modo que no será posible configurar la velocidad de la ventilación. Mantenga las ventanas y puertas cerradas para lograr los mejores efectos de deshumidificación.

**Para configurar el modo DRY (Seco):**

• Presione la tecla MODE (Modo) hasta que la luz indicadora de DRY (Seco) esté encendida

En el modo DRY (Seco), no se mostrará una temperatura configurada. Una vez configurado el modo DRY (Seco), la pantalla volverá a mostrar la temperatura ambiente.

**NOTA:** Si pasa de una configuración de DRY (Seco) a OFF (Apagado) o a una configuración del ventilador, espere por los menos 3 minutos antes de

## Modo de Ventilación

Use el modo FAN (Ventilación) para brindar circulación de aire y filtrar sin refrigerar.

**Para configurar el modo FAN (Ventilación):**

• Presione la tecla FAN (Ventilación) hasta que la luz indicadora deseada de velocidad en HIGH (Alto), MEDIUM (Medio), o LOW (Bajo) esté encendida.

Debido a que las configuraciones de sólo ventilador no brindan refrigeración,

## Función de Recuperación por Corte de Suministro

En caso de corte de suministro o interrupción, la unidad se reiniciará de forma automática en las configuraciones usadas por última vez una vez restablecido el servicio.

**NOTA:** Si el acondicionador de aire está apagado y luego es encendido en la configuración COOL (Refrigeración), pasarán aproximadamente 3 minutos hasta que el compresor se inicie y comience la refrigeración.

**Descripciones de Refrigeración**

**Para un Enfriamiento Normal**—Seleccione el modo COOL (Refrigeración) y la velocidad del ventilador en HIGH (Alto) o MEDIUM (Medio) con una temperatura en la configuración intermedia.

**Para un Enfriamiento Máximo**—Seleccione el modo COOL (Refrigeración) y la velocidad del ventilador en HIGH (Alto) con una temperatura en una configuración baja.

**Para un Enfriamiento Más Suave y Nocturno**—Seleccione el modo COOL (Refrigeración) y la velocidad del ventilador en LOW (Bajo) con una temperatura en la configuración intermedia.

**NOTA:** Si pasa de la configuración del modo COOL (Refrigeración) o DRY (Seco) a OFF (Apagado), espere 3 minutos antes de realizar el reinicio.

volver a pasar a una configuración de DRY (Seco).

Si usará la unidad en el modo DRY (Seco) como deshumidificador durante un período de tiempo prolongado:

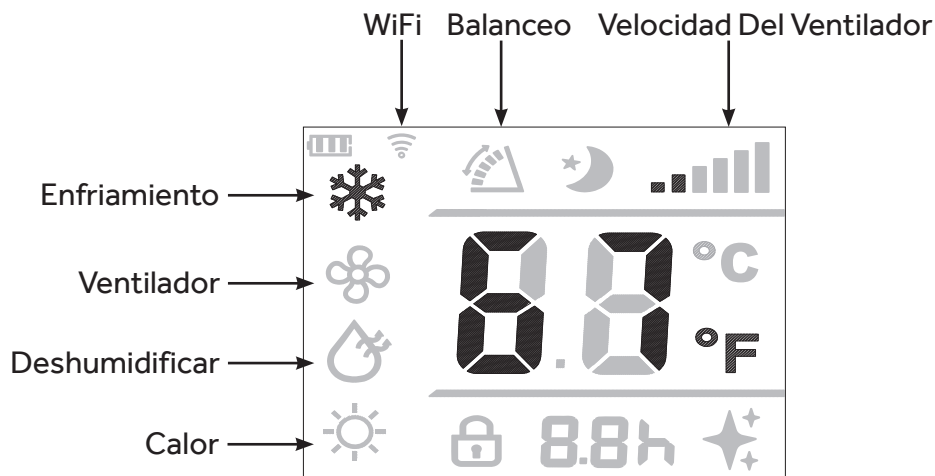
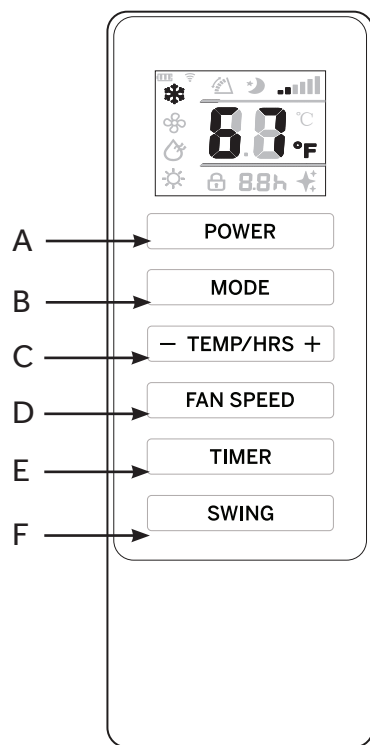
1. Desenchufe el cable de corriente.
2. Conecte una manguera de drenaje (no incluida) al puerto de drenaje central (consulte la página 9, drenaje superior n° 8) y una manguera principal al drenaje del piso.
3. Vuelva a conectar el cable de corriente y presione la tecla MODE (Modo) hasta que la luz indicadora de DRY (Seco) esté encendida.

no será exhibida una temperatura configurada. Una vez configurada la velocidad de FAN (Ventilación), la pantalla volverá a mostrar la temperatura ambiente.

**NOTA:** Si TIMER (Temporizador) fue configurado antes del corte de corriente, será necesario reiniciar el mismo una vez restablecido el servicio.

# CONTROLES

Las luces al lado de las teclas de toque en el panel de control del acondicionador de aire indicarán los ajustes seleccionados. Las funciones y el aspecto pueden variar.



## CONTROL REMOTO

1. Inserte las dos baterías (incluidas).
2. Apunte el control remoto al receptor de señal en el panel de control para operar el aire acondicionado.

### A. Botón Power (Encendido)

ENCIENDE/APAGA el acondicionador de aire.

**NOTA:** Si apaga la unidad presionando el botón Power (Encendido), esto NO desconecta el electrodoméstico del suministro de energía.

- Presione el botón Power (Encendido). La luz indicadora de Power (Encendido) se iluminará.

### B. Botón Mode (Modo)

Presione el botón Mode (Modo) para alternar entre las opciones de operación. El indicador correspondiente se iluminará:

- Heat (Calor) (en algunos modelos) - Calienta la habitación a la temperatura establecida
- Cool (Enfriamiento): enfría la habitación a la temperatura jada
- DRY (Deshumidificar): reduce la humedad en la habitación
- Fan (Ventilador): hace circular el aire de la habitación sin enfriar.

### C. Botones Con Flechas Hacia Arriba Y Hacia Abajo

Ajustan la temperatura o las horas del tiempo diferido.

#### Para jar la temperatura:

La temperatura puede fijarse entre 62 °F y 86 °F (17 °C y 30 °C) cuando el acondicionador de aire está en modo Cool (Enfriamiento).

1. Presione el botón Mode (Modo) hasta que se seleccione el modo Cool (Enfriamiento).

2. Presione los botones con las flechas hacia arriba o hacia abajo para seleccionar la temperatura.

**NOTA:** La temperatura no se puede fijar si el acondicionador de aire está en el modo Fan (Ventilador) o DRY (Deshumidificar).

**NOTA:** Los botones con las flechas hacia arriba y hacia abajo, cuando se los presiona al mismo tiempo, le permiten seleccionar entre mostrar la temperatura en °C o °F. El indicador correspondiente se iluminará.

### D. Botón Fan Speed (Velocidad Del Ventilador)

La velocidad del ventilador se puede regular desde velocidad Low (Baja) a High (Alta) cuando el acondicionador de aire está en funcionamiento.

**NOTA:** La velocidad del ventilador no se puede regular cuando la unidad está en modo DRY (Deshumidificar).

- Presione el botón Fan Speed (Velocidad del ventilador) para alternar entre las dos velocidades. El indicador de velocidad del ventilador correspondiente se iluminará.

### E. Timer

Programa un tiempo desde (1 hora a 24 horas) para que el acondicionador de aire se apague o se encienda. Cuando se programa un tiempo diferido, la luz indicadora de Timer (Temporizador) se iluminará.

### F. Botón de Balanceo

Las celosías de su acondicionador portátil se abrirán de forma automática (no las abra con fuerza ni haga presión para cerrarlas). Use el Botón de Balanceo de su control remoto para ajustar las celosías en la posición que desee que se encuentren; o para un funcionamiento en el modo Swing (Balanceo), las celosías continuarán el movimiento hacia arriba y abajo.

# CUIDADO Y LIMPIEZA

## LIMPIEZA

### ⚠ ADVERTENCIA



#### Riesgo de descarga eléctrica

Desconecte la fuente de alimentación antes de limpiar.

El incumplimiento de estas instrucciones puede provocar la muerte o una descarga eléctrica.

1. Desenchufe o desconecte el suministro de energía.
2. Útil solamente un paño dulce humedecido con agua para limpiar el gabinete.

#### NOTA:

- No use un limpiador líquido o con rociador para limpiar el acondicionador de aire.
  - No usar productos químicos, abrasivos, amoníaco, blanqueador con cloro, detergentes concentrados, solventes o estropajos de metal. Algunos de estos artículos / productos químicos pueden dañar y / o decolorar su acondicionador de aire.
3. Ve bien con un paño dulce.
  4. Enchufe o vuelva a conectar el suministro de energía.

## FILTROS DE AIRE

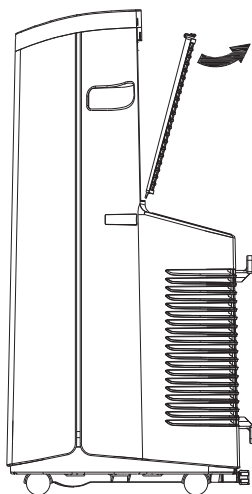
Los filtros de aire deben limpiarse al menos una vez a la semana para garantizar que la unidad funcione con una eficiencia óptima.

### ⚠ PRECAUCIÓN

No opere el acondicionador de aire si los filtros de aire no están en su lugar.

Para eliminar:

1. Desenchufe o desconecte el suministro de energía.
2. Jale de las lengüetas para deslizar los filtros de la parte posterior del acondicionador de zona.



**NOTA:** Los filtros secundarios están disponibles una vez que se muestran los filtros principales.

3. Lava o chupa el polvo de los filtros de aire.

**NOTA:** Si se lava, agite el filtro para eliminar el exceso de partículas de polvo atrapadas en el filtro.

4. Vuelva a instalar los filtros.
5. Enchufe o vuelva a conectar el suministro de energía.

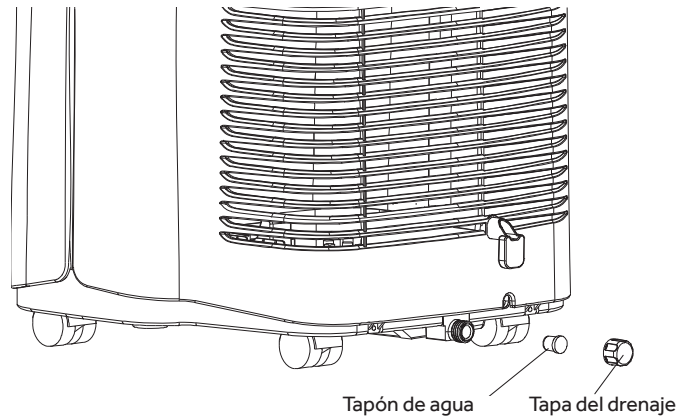
# CUIDADO Y LIMPIEZA

## TANQUE DE AGUA INTERIOR

El indicador de agua llena se ilumina cuando el tanque de agua interno está lleno de agua de condensación.

Vaciar el depósito de agua interno:

1. Desconecte o desconecte la fuente de alimentación eléctrica.
2. Coloque un recipiente hueco con una capacidad mínima de 1 cuarto (no incluido) debajo de la piscina de drenaje inferior en la parte posterior del acondicionador de aire (cerca de la parte inferior).
3. Retire la tapa y el tapón de goma y drene el tanque de agua.
4. Vuelva a instalar el tapón de drenaje y apriete firmemente la tapa.
5. Conecte el dispositivo o vuelva a conectar la fuente de alimentación.



## RANGEMENT

Durante largos periodos de infantilización del dispositivo:

1. Desconecte o desconecte la fuente de alimentación eléctrica.
2. Drene el agua del tanque de agua. Consulte Mantenimiento de la acondicionador de aire.

3. Coloque la unidad en su embalaje original para evitar la acumulación de polvo o suciedad.
4. Guarde el aire acondicionado en un lugar fresco y seco.

## CÓMO INSERTAR LAS PILAS EN EL CONTROL REMOTO

1. Retire la cubierta de la pila deslizándola de acuerdo con la dirección de la flecha.
2. Inserte pilas nuevas cerciorándose de que los polos positivos (+) y negativos (-) están orientados correctamente.
3. Coloque la cubierta otra vez deslizándola en su lugar.

### NOTAS:

- Use 2 pilas alcalinas "AAA" de 1,5 voltios. No use pilas recargables.
- Retire las pilas del control remoto si no va a usar el sistema por un periodo prolongado.
- No mezcle baterías nuevas y viejas. No mezcle baterías alcalinas, estándar (carbono-cinc) o recargables (ni-cad, ni-mh, etc).

# INSTRUCCIONES DE INSTALACIÓN

¿Preguntas? Visite nuestro Sitio Web en: [haierappliances.com](http://haierappliances.com)

## ANTES DE INICIAR

Lea estas instrucciones completa y cuidadosamente.

- **IMPORTANTE** — Guarde estas instrucciones para uso del inspector local.
- **IMPORTANTE** — Observe todos los códigos y órdenes de ley.
- **Nota al instalador** – Asegúrese de dejar estas instrucciones con el consumidor.
- **Nota al consumidor** – Conserve estas instrucciones para referencia futura.
- **Nivel de destreza** – La instalación de este aparato requiere de destrezas mecánicas básicas.
- **Tiempo de ejecución** – Aprox. 1 hora
- Recomendamos dos personas para la instalación de este producto.
- La instalación apropiada es la responsabilidad del instalador.
- La falla del producto debido a una instalación inadecuada no está cubierta por la garantía.
- Cuando instale este acondicionador de aire, DEBE usar todas las piezas suministradas y usar procedimientos adecuados de instalación.

## REQUISITOS ELÉCTRICOS



Algunos modelos requieren tomacorrientes de 115/120 voltios de corriente alterna y 60 Hz conectados a tierra, protegidos con un fusible de dilatación de tiempo de 15 amperios o un cortacircuitos.

El enchufe de tres púas con conexión a tierra minimiza la posibilidad de descargas eléctricas. Si el tomacorriente de la pared que usted planea usar solamente tiene 2 tomas, es su responsabilidad hacer que un técnico lo reemplace por uno de tres tomas con conexión a tierra.

## ⚠ PRECAUCIÓN

Bajo ninguna circunstancia corte o remueva la tercera púa (conexión a tierra) del cable eléctrico.

No cambie el enchufe en el cable eléctrico de este acondicionador de aire.

Los cables caseros de aluminio podrían presentar problemas especiales. Consulte a un técnico electricista calificado. Urnit,

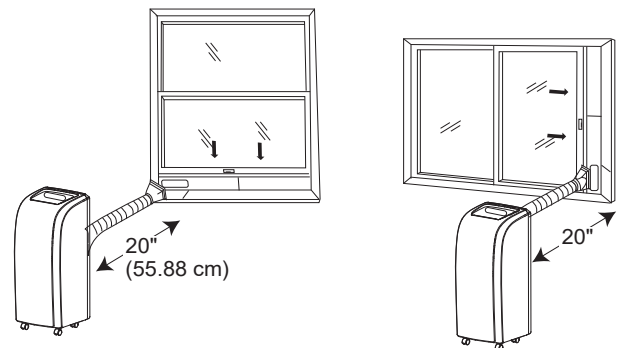
El cable de alimentación incluye un dispositivo para interrupción de corriente. Se incluye un botón de prueba y de reinicio en el dispositivo. El dispositivo debe ponerse a prueba periódicamente: primero se presiona el botón de TEST (prueba) y luego RESET (reinicio) mientras se encuentra enchufado al tomacorriente. Si el botón TEST no se dispara o si el botón RESET no queda enganchado, deje de utilizar el acondicionador de aire y comuníquese con un técnico calificado.

## REQUISITOS DE UBICACIÓN

- Coloque el acondicionador de aire sobre una superficie plana y nivelada en una ubicación que esté al menos a 20" (51 cm) de la pared.

**NOTA:** La distancia recomendada de la ventana para un rendimiento óptimo es de 30" (76 cm).

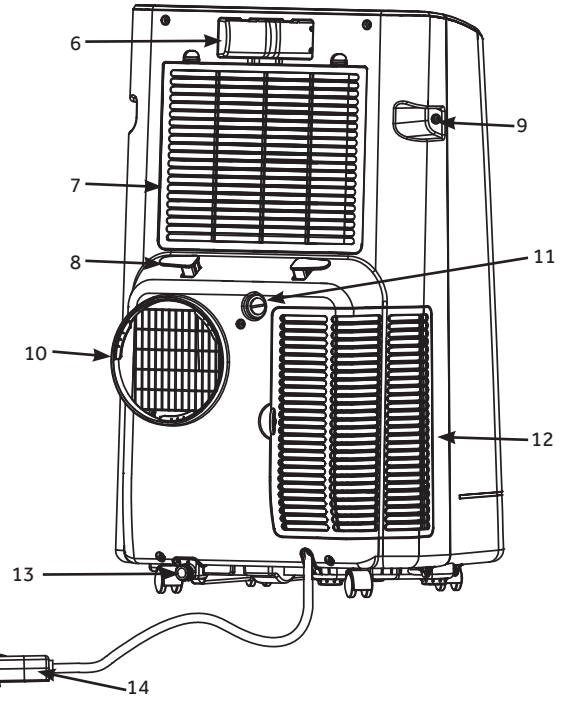
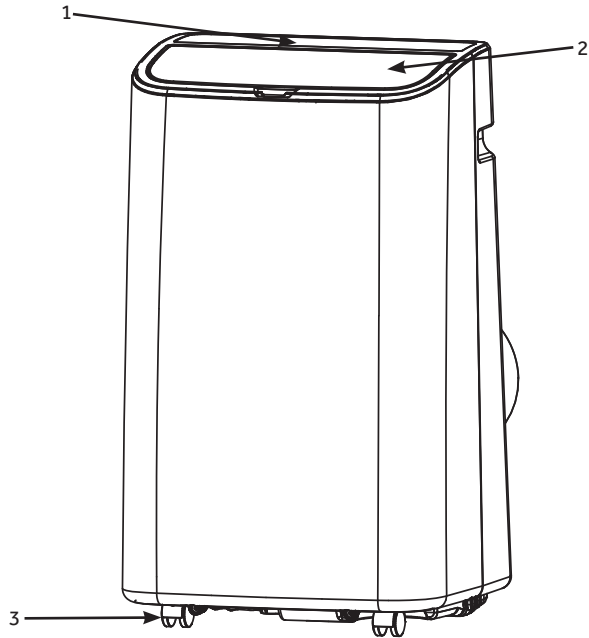
- Mantenga un espacio libre mínimo de 20" (51 cm) alrededor del acondicionador de aire para no bloquear el flujo de aire.
- Mantenga el acondicionador de aire libre de obstrucciones como cortinas con pliegues, cortinas, persianas, etc.
- La manguera de escape debe estar libre de cualquier obstrucción.
- No coloque el acondicionador de aire en una superficie inestable o elevada, ya que podría caerse y provocar daños o lesiones.
- No exponga el acondicionador de aire a la luz directa del sol o cerca una fuente de calor como zócalos radiantes, estufas, etc.
- El panel de la ventana puede instalarse en una ventana con una abertura mínima de 22" (55.88 cm) hasta un máximo de 48" (121.92 cm).



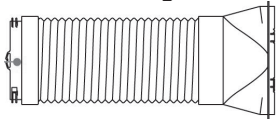
# INSTRUCCIONES DE INSTALACIÓN

## PARTES INCLUIDAS

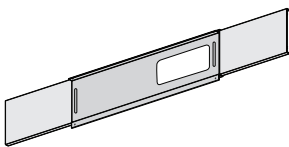
(Apariencia puede variar)



1. Panel de Control
2. Celosías del Balanceo de Aire
3. Ventilación de aire a través de las paletas de balanceo
4. Ensamble de la manguera de salida



5. Ensamble de la Placa de Apoyo en Ventanas



6. Control Remoto
7. Panel del Filtro
8. Gancho del Cable de Corriente (2)
9. Manija (2)
10. Ventilación de Aire - salida
11. Agujero de Desagüe Continuo
12. Rejilla de Entrada de Aire
13. Agujero de drenaje
14. Cable y enchufe de corriente

# INSTRUCCIONES DE INSTALACIÓN

## 1. DESEMBALE EL ACONDICIONADOR DE AIRE

### ⚠ ADVERTENCIA

#### Riesgo de Peso Excesivo

Cuente con la ayuda de dos o más personas para trasladar e instalar el acondicionador de aire. Si esto no se cumple se podrán producir lesiones en la espalda u otras heridas.

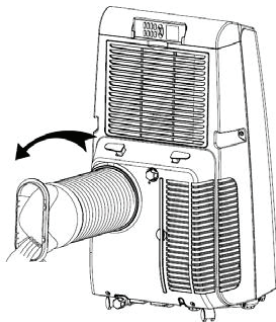
- Retire los materiales del embalaje. Conserve el cartón y el embalaje de gomaespuma para guardar el acondicionador de aire cuando no se encuentre en uso.

**NOTA:** NO hay materiales de embalaje dentro del acondicionador de aire que sean necesarios retirar - No abra el gabinete.

- Descarte de forma adecuada/ recicle todos los materiales de embalaje.
- Manipule el acondicionador de aire de forma suave.
- Mantenga el acondicionador de aire erguido y nivelado. No ubique el acondicionador de aire sobre su lateral, frente, parte trasera o dado vuelta.

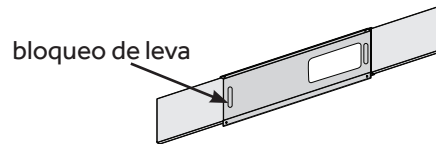
## 2. INSTALE EL ENSAMBLE DE LA MANGUERA DE SALIDA EN LA PARTE TRASERA DE LA UNIDAD

Instale el ensamble de la manguera de salida desenroscando la manguera en dirección antihoraria en el puerto de salida sobre la parte trasera del acondicionador de aire.

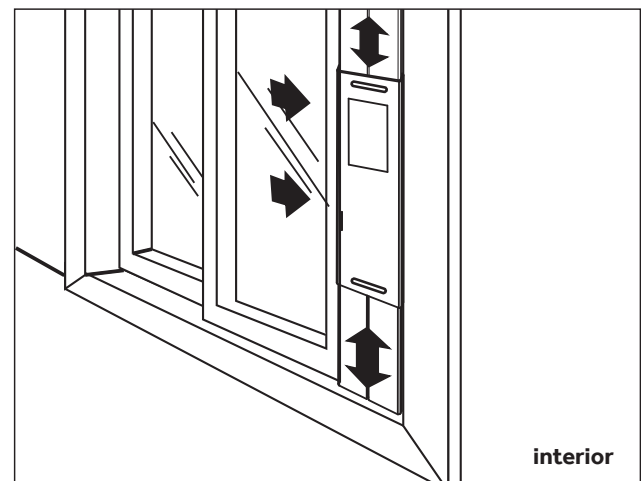
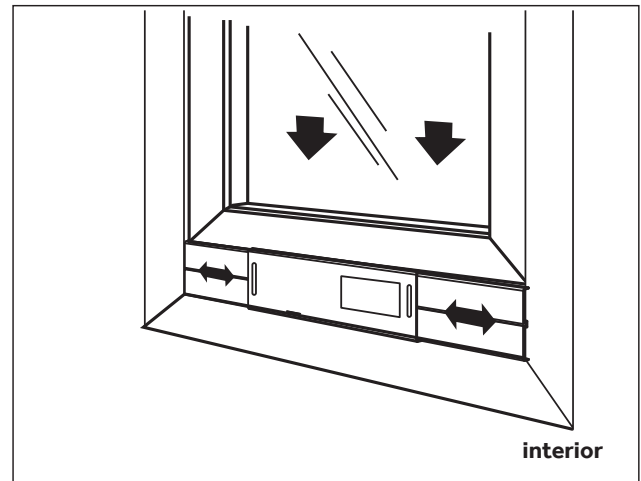


## 3. INSTALE LOS PANELES DE LA VENTANA

- A. Mida la abertura de la ventana. En una abertura de 20" use sólo el panel intermedio del Kit de Ventana con la abertura para el Adaptador de la Manguera de Salida. Para aberturas de 20" a 33", inserte un panel lateral en el panel intermedio; para aberturas de 33" a 46", inserte ambos paneles laterales.
- B. Coloque el Kit de Ventana en la abertura de la ventana



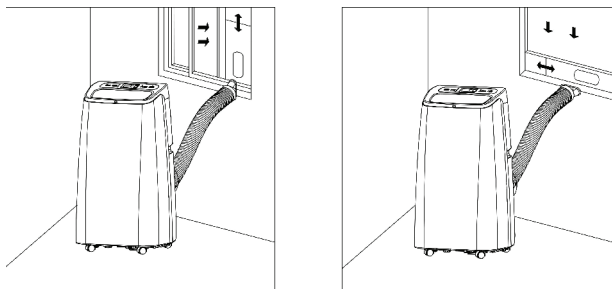
(las Tuercas de Fijación deberán mirar hacia usted) y deslice los paneles laterales (si son usados) hacia afuera para llenar la abertura. Bloquee los paneles en su posición con las Tuercas de Fijación. Aplique los sellados de gomaespuma sobre las partes superior, trasera y extremos, a fin de brindar el mejor sellado. Deslice el cierre de la ventana contra el Kit de Ventana.



# INSTRUCCIONES DE INSTALACIÓN

## 4. CONECTE LA MANGUERA DE SALIDA AL PANEL DE LA VENTANA

Coloque el acondicionador de aire cerca de la ventana, asegurándose de contar por lo menos con 20" de espacio desde la pared hasta cualquier otra obstrucción. Extienda la manguera de modo que llegue hasta el Kit de Ventana. Inserte el Adaptador de la Manguera de Salida en la abertura del Kit de Ventana y deslice el mismo hasta la posición de bloqueo. Asegúrese de que la manguera sea conducida directamente hasta la ventana sin extensiones excesivas. Importante: La ventilación del acondicionador de aire deberá estar dirigida hacia la parte exterior. No utilice una manguera más larga ni extienda la manguera incluida con el acondicionador de aire, ya que la unidad no enfriará de forma adecuada y se sobrecalentará.



## 5. COMPLETE LA INSTALACIÓN

### ⚠ ADVERTENCIA



#### Riesgo de Descarga Eléctrica

Enchufe en un tomacorriente con conexión a tierra de 3 cables.

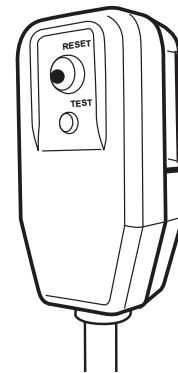
No retire la clavija de conexión a tierra del enchufe del cable de corriente.

No use un adaptador.

No use un prolongador.

Si no se cumple con esto, se podrá producir la muerte, incendio o descarga eléctrica.

- Enchufe el cable de corriente en un tomacorriente con conexión a tierra de 3 patas.
- Presione el botón Reset (Reiniciar) del cable de corriente para asegurarse de que el enchufe de seguridad está enviando corriente al acondicionador de aire.
- Deje 20" de espacio alrededor del acondicionador de aire para una correcta circulación de aire.
- Al retirar el acondicionador de aire, asegúrese de retirar el Kit de Ventana.



# SOLUCIÓN DE PROBLEMAS

Problema	Causas posibles	Qué hacer
La unidad no se pone en marcha ni funciona	El cable de suministro de energía no está enchufado en un toma corriente.	Conecte el cable eléctrico a un toma corriente de 3 terminales con conexión a tierra.
	El cable de suministro de energía se ha disparado.	Presione y libere RESET (Restablecer) en el cable de suministro de energía.
	El botón Power (Encendido) no se ha presionado.	Presione el botón Power (Encendido) en el panel de control o el control remoto para ENCENDER el acondicionador de aire.
	El toma corriente eléctrico no recibe suministro eléctrico.	Enchufe una lámpara de trabajo en el toma corriente para verificar si hay energía.
	Se ha fundido un fusible de la casa o se ha disparado un cortacircuitos.	Reemplace el fusible o reposicione el cortacircuitos.
	El control fue programado para un tiempo diferido.	Cancele el tiempo diferido. Vea "Panel de control".
	Las pilas del control remoto están agotadas.	Reemplace las pilas.
	El tanque de agua interno está lleno. NOTA: El acondicionador de aire se apaga automáticamente y el indicador Water Full (Máximo nivel de agua) se ilumina para avisarle de este estado.	Vacíe el tanque de agua. Vea "Cuidado del acondicionador de aire".
El control remoto no funciona	Las pilas están agotadas.	Reemplace las pilas.
	Las pilas están insertadas de forma incorrecta.	Asegúrese de que las pilas se inserten en la posición correcta.
El acondicionador de aire está funcionando, pero la habitación no se enfría.	La temperatura de la habitación está caliente. NOTA: En días muy calurosos y húmedos, el acondicionador de aire necesitará más tiempo para enfriar la habitación.	Dé tiempo para que la habitación se enfríe cuando enciende la unidad por primera vez. Asegúrese de que el acondicionador de aire tenga una categoría de BTU (Unidad Térmica Británica) adecuada para el tamaño de la habitación que desea enfriar.
	El control se ha fijado incorrectamente en modo Fan (Ventilador) o Dry (Seco).	Fije el modo Cool (Enfriamiento) y la velocidad del ventilador en High (Alta).
	El flujo de aire ha disminuido.	Quite los obstáculos que bloquean el flujo de aire y redirija el flujo de aire para lograr un enfriamiento uniforme.
	La temperatura está fijada demasiado alta.	Baje la temperatura fijada.
	Los filtros de aire están sucios u obstruidos.	Limpie el filtro de aire. Vea "Cuidado del acondicionador de aire".
	El acondicionador de aire se ha instalado incorrectamente.	Verifique que la manguera de escape y el panel de la ventana estén correctamente instalados.
	Las puertas y las ventanas están abiertas.	Cierre las puertas y las ventanas de la habitación que desea enfriar para evitar que el aire enfriado se escape.

## Códigos de Error

Códigos de Error	Significado
E1	Sensación atípica por parte del sensor de la tubería de la bobina
E2	Sensación atípica del sensor de temperatura de la sala
E4	Protección anticongelamiento
FL	Llenado completo de agua

# CONFIGURACIÓN WIFI

## Haier Appliances WiFi Connect (Conexión WiFi de Haier Appliances) (Para clientes en Estados Unidos)

**Haier Appliances WiFi Connected Habilitado\*** Si su acondicionador de aire posee una etiqueta de Información del Electrodoméstico Conectado ubicada en la parte externa como se muestra a continuación, su acondicionador de aire cuenta con Haier WiFi Connect Habilitado. Una tarjeta de comunicación de WiFi está incorporada en el producto, permitiendo la comunicación del mismo con su teléfono inteligente para el monitoreo remoto, control y notificaciones. Para aprender más sobre las funciones del electrodoméstico conectado, y para saber qué aplicaciones de electrodomésticos conectados funcionarán con su teléfono inteligente, visite [www.Haierappliances.com/connect](http://www.Haierappliances.com/connect).



## Cómo Funciona

Descargue la Aplicación de Haier Appliances



Use la aplicación para conectar su acondicionador de aire para sala al WiFi



Una vez conectada, use la aplicación para apagar su acondicionador de aire al salir del trabajo.



## Puesta en marcha

A fin de conectar su acondicionador de aire para sala, necesitará la Aplicación de Haier Appliances. La aplicación lo guiará a través del proceso de conexión. Descargue la aplicación de iTunes o Google Play.



**Los datos de todos los electrodomésticos conectados son guardados en estricto cumplimiento con la Política de Privacidad de Datos de Conexión de Haier Appliances. Para acceder a esta política, visite [geappliances.com/privacy/privacy\\_policy\\_connected](http://geappliances.com/privacy/privacy_policy_connected).**

## Preguntas acerca de WiFi Connect

Acceda a respuestas necesarias sobre la configuración de electrodomésticos con WiFi y la conexión a su red hogareña a través de nuestros artículos de soporte.

Para acceder a los artículos de soporte la conexión wifi del acondicionador de aire para sala, visite [products.geappliances.com/appliance/gea-support-search-content](http://products.geappliances.com/appliance/gea-support-search-content).

## INFORMACIÓN REGULATORIA

### Declaración de Cumplimiento con FCC/IC:

1. Este dispositivo no podrá causar interferencias perjudiciales.
2. Este dispositivo debe aceptar cualquier interferencia recibida, incluidas las interferencias que puedan provocar un funcionamiento no deseado.

Este equipo fue probado y cumple con los límites establecidos para un dispositivo digital de clase B, según la parte 15 de la Normativa de la FCC. Estos límites fueron diseñados para brindar una protección razonable contra interferencias nocivas en una instalación residencial. Este equipo genera, usa y puede emitir energía de radiofrecuencia y, si no se instala y utiliza de acuerdo con las instrucciones, puede ocasionar interferencias perjudiciales sobre las comunicaciones radiales. Sin embargo, no se garantiza que no se presenten interferencias en una instalación en particular. Si este equipo provoca interferencias perjudiciales para la recepción de radio o televisión, lo que puede comprobar encendiendo y apagando el equipo, se aconseja al usuario que intente corregir la interferencia a través de una o más de las siguientes medidas:

- Reoriente o reubique la antena receptora.
- Aumente la separación entre el equipo y el receptor.

- Conecte el equipo a un tomacorriente de un circuito diferente al tomacorriente al cual se encuentra conectado el receptor.
- Para solicitar ayuda, consulte al comerciante minorista o a un técnico experimentado de radio/ televisión.

**Etiqueta:** Las modificaciones sobre esta unidad no aprobadas expresamente por parte del fabricante podrían anular la autoridad del usuario para utilizar el equipo.

**\*Modelos Selectos Únicamente**

Este producto tiene capacidad Wi-Fi y requiere conectividad a Internet y un enrutador inalámbrico para permitir la interconexión con un Sistema de administración de energía y / o con otros dispositivos, sistemas o aplicaciones externos.

El uso de Works con el logotipo de Apple HomeKit™ significa que un accesorio electrónico se ha diseñado para conectarse específicamente con iPod touch®, iPhone® o iPad®, respectivamente, y el desarrollador ha certificado que cumple con los estándares de rendimiento de Apple®. Apple no es responsable del funcionamiento de este dispositivo ni de su cumplimiento de las normas de seguridad y reglamentarias.

# GARANTÍA LIMITADA

Grape aquí su recibo.

Se requiere facilitar prueba de la fecha de compra original para hacer un reclamo de garantía.

Por el Periodo de:	Reemplazaremos:
Un Año Desde la fecha de la compra original	<b>Reemplazo, reparación o reembolso</b> del costo minorista original de cualquier producto que falle debido a un defecto en los materiales o la fabricación. Si la unidad es cambiada, la unidad de reemplazo posee garantía por el resto del período de la garantía original de un año sobre su producto. Haier Appliances reemplazará, a su exclusivo criterio, el producto por otro de la misma o de una funcionalidad y calidad comparable o hará un reembolso por el precio minorista original.

## A Fin de Realizar un Reclamo de la Garantía Durante el Período de Devolución Permitido por el Vendedor Minorista:

- **Embale la unidad correctamente. Le recomendamos usar la caja de cartón y los materiales de embalaje originales.**
- **Entregue el producto en la ubicación del vendedor minorista donde fue adquirido.**
- **Incluya en el paquete una copia del receptor de la venta u otro comprobante de la fecha de compra original. También escriba su nombre y domicilio y una descripción del defecto.**

## A Fin de Realizar un Reclamo sobre la Garantía Durante el Resto de la Garantía de un Año:

- **Ubique su recibo de venta original y haga una nota de su modelo y número de serie.**
- **Visite Sitio Web en: [haierappliances.com](http://haierappliances.com) para iniciar el proceso de reemplazo del producto.**
- **Se solicitará su nombre, domicilio, fecha de compra, y números de modelo y serie.**
- **Haier Appliances hará arreglos para que se envíe una caja de cartón a su hogar para recuperar el producto.**
- **Por favor entregue todos los materiales solicitados (envío postal prepago) en la caja de cartón provista. Por favor incluya una descripción del defecto.**
- **Debería recibir el producto de reemplazo o un reembolso entre los 7 y 10 días hábiles una vez que hayamos recibido su paquete.**

## Qué No Será Cubierto:

- **Instrucción al cliente. Este manual del propietario brinda información relacionada con instrucciones de funcionamiento y controles del usuario.**
- **Instalación inadecuada. Si tiene un problema de instalación o el acondicionador de aire no posee la capacidad adecuada, contacte a su vendedor minorista o instalador. Usted es responsable de brindar instalaciones de conexión eléctrica adecuadas.**
- **Falla del producto como resultado de modificaciones sobre el mismo o debido a un uso irrazonable, incluyendo la falta de mantenimiento razonable o necesario.**
- **Reemplazo de fusibles del hogar o reinicio de disyuntores.**
- **Fallas como consecuencia de corrosión en modelos sin protección contra ésta.**
- **Daños ocasionados sobre el producto por nivel de suministro de voltaje inadecuado, accidente, incendio, inundaciones o catástrofes naturales.**
- **Daños consecuentes o incidentales causados por posibles defectos del acondicionador de aire.**
- **Daño causado después de la entrega.**

**EXCLUSIÓN DE GARANTÍAS IMPLÍCITAS**—Su única y exclusiva alternativa es la reparación del producto, como se indica en la Garantía Limitada. Las garantías implícitas, incluyendo garantías implícitas de comerciabilidad o conveniencia sobre un propósito particular, se limitan a un año o al período más corto permitido por la ley.

Para Clientes de EE.UU.: Esta garantía limitada se extiende al comprador original y a cualquier dueño subsiguiente de productos comprados para uso hogareño dentro de EE.UU. Si el producto está en un área donde no se encuentra disponible un Proveedor Autorizado del Servicio Técnico de Haier Appliances, usted será responsable por el costo de un viaje o se podrá requerir que traiga el producto a una ubicación del Servicio Técnico de Haier Appliances Autorizado para recibir el servicio. En Alaska, la garantía limitada excluye el costo de envío o llamadas del servicio técnico a su hogar.

Algunos estados no permiten la exclusión o limitación de daños fortuitos o consecuentes. Esta garantía limitada le da derechos legales específicos y es posible que tenga otros derechos legales que varían entre un estado y otro. Para conocer cuáles son sus derechos legales, consulte a la oficina de asuntos del consumidor local o estatal o al Fiscal de su estado.

Garante en EE.UU:  
**GE Appliances, a Haier company**  
Louisville, KY 40225

## **IMPORTANT**

### **Do Not Return This Product To The Store**

If you have a problem with this product, please call 1-877-337-3639 for the name and telephone number of the nearest authorized service center.

**DATED PROOF OF PURCHASE REQUIRED FOR WARRANTY SERVICE**

## **IMPORTANTE**

### **No regrese este producto a la tienda**

Si tiene un problema con este producto, por favor comuníquese al 1-877-337-3639 para solicitar el nombre y número telefónico del centro de servicio al cliente autorizado más cercano.

**NECESITA UNA PRUEBA DE COMPRA FECHADA, NÚMERO DE MODELO Y DE SERIE PARA EL SERVICIO DE LA GARANTÍA**