

# Haier

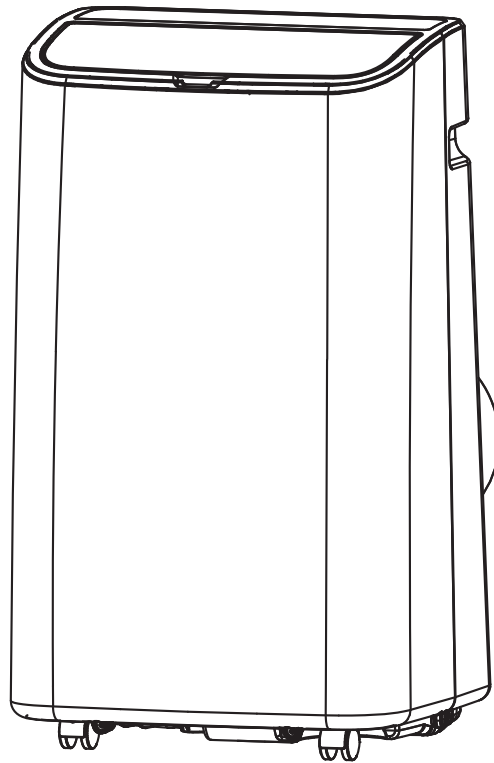
Owner's Manual and  
Installation Instruction

Manual del propietario y  
instrucciones de instalación

Manual d'utilisation et  
instructions d'installation

Portable Air Conditioner  
Accondicionadores De Aire Para Sala  
Climatiseur portable

OPCA09  
OPCA10  
OPCA12



Design may vary by model  
number

El diseño puede variar según  
el número de modelo

La conception peut varier  
selon le numéro de modèle



# TABLE OF CONTENTS

IMPORTANT SAFETY INFORMATION .....	4
CONTROLS .....	5
CARE AND CLEANING .....	8
INSTALLATION INSTRUCTIONS .....	10
TROUBLESHOOTING .....	14
WIFI SETUP .....	15
LIMITED WARRANTY .....	16

## RECORD KEEPING

Thank you for purchasing this Haier product. This user manual will help you get the best performance from your new air conditioner.

Para referencia futura, registre el modelo y el número de serie ubicados en el deshumidificador y la fecha de compra.

Staple your proof of purchase to this manual to aid in obtaining warranty service if needed.

---

Model number

---

Serial number

---

Date of purchase

## HAIER WEBSITE

Have a question or need assistance with your appliance? Try the Haier Website 24 hours a day, any day of the year! You can also shop for more great Haier products and take advantage of all our on-line support services designed for your convenience. In the US: [Haierappliances.com](http://Haierappliances.com)

## SAFETY INFORMATION

### IMPORTANT SAFETY INFORMATION READ ALL INSTRUCTIONS BEFORE USING THE APPLIANCE

#### IMPORTANT SAFETY INSTRUCTIONS

**▲ WARNING** To reduce the risk of fire, electrical shock, injury to persons, or damage when using the air conditioner, follow basic precautions, including the following:

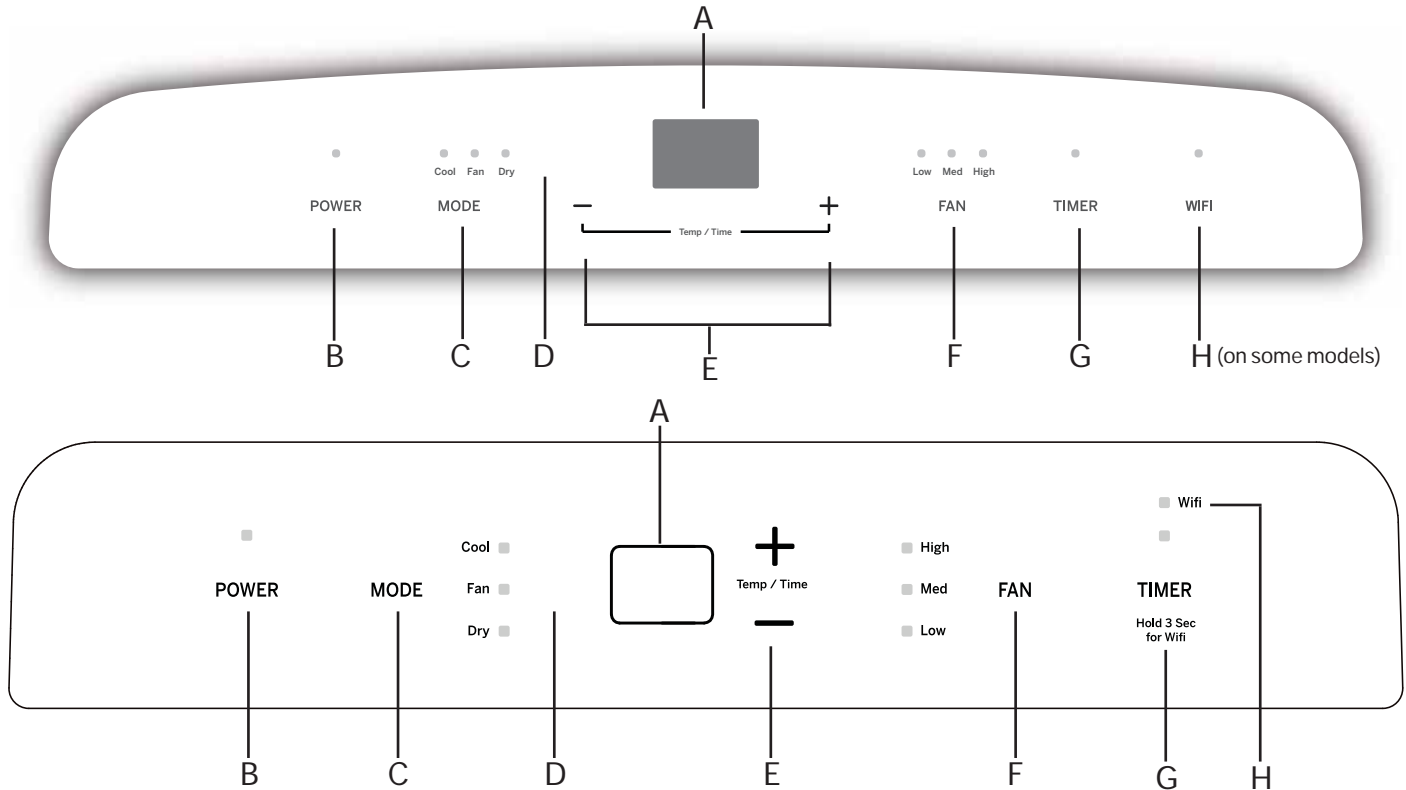
- Read all of the instructions before using this appliance.
  - Plug into a grounded 3 prong outlet.
  - Do not remove ground prong.
  - Do not use an adapter.
  - Do not use an extension cord.
  - Do not operate the air conditioner if it has a damaged cord or plug, if it is not working properly, or if it has been damaged or dropped.
  - The air conditioner should be serviced only by qualified service personnel. Call an authorized service company for examination, repair, or adjustment.
  - Disconnect power before servicing.
- Disconnect power before cleaning.  
**NOTE:** Turning off power by pressing the Power button does NOT disconnect the appliance from the power supply.
  - Do not install or use the air conditioner in any area where the atmosphere contains combustible gases or where the atmosphere is contaminated. Avoid any chemicals coming in contact with your air conditioner.
  - Do not store anything directly on top of the air conditioner.
  - Use two or more people to move and install air conditioner.
  - Never operate the air conditioner without the filters in place.
  - Do not use the air conditioner near a bathtub, shower or wash basin or other wet area.

**READ AND SAVE THESE INSTRUCTIONS**

# CONTROLS

Features and appearance will vary.

Lights next to the touch pads on the air conditioner control panel indicate the selected settings.



## Controls

### A. CONTROL PANEL DISPLAY

Displays the Set Temperature in degrees Fahrenheit or degrees Celsius, or the hours remaining in a Time Delay. The corresponding indicator light will illuminate.

### B. Power Button

Turns ON/OFF power to the air conditioner.

**NOTE:** Turning off power by pressing the **POWER** button does NOT disconnect the appliance from the power supply.

- Press the **POWER** button. The Power indicator will illuminate.

### C. Mode Button

Press the **MODE** button to toggle among the operating options. The corresponding indicator will illuminate:

**Cool** – Cools the room to the set temperature

**Dry** – Reduces the humidity in the room

**Fan** – Circulates the air in the room without cooling.

### D. Remote Control Signal Receiving Window

Aim the Remote Control at this window so the Control will receive the signal.

### E. + and – Buttons

Adjusts the Temperature or Hours in Time Delay.

#### To Set the Temperature:

The temperature can be set between 61°F and 89°F (17°C and 30° C) when the air conditioner is in Cool mode.

1. Press the **MODE** button until the Cool mode is selected.
2. Press the + or – buttons to select the Temperature.

**NOTE:** The temperature cannot be set when the air conditioner is in either Fan or Dry mode.

### F. Fan Speed Button

The fan speed can be adjusted from Low speed, Medium speed, to High speed when the air conditioner is either in Cool or Fan mode.

**NOTE:** The fan speed cannot be adjusted when the unit is in Dry mode.

- Press the **Fan Speed** button to toggle among the three speeds. The corresponding fan speed indicator will illuminate.

### G. Timer Button

Program a time from (1-hour to 24-hours) for the air conditioner to turn Off or On. When a Time Delay is programmed, the Timer indicator light will illuminate.

#### While the air conditioner is operating:

1. Press the **TIMER** button.
2. Press the + or – buttons to select the number of hours you want the air conditioner to continue to operate before turning Off. **NOTE:** Wait approximately 5 seconds for the Turn-Off time to be saved.

#### While the air conditioner is off:

1. Press the **TIMER** button.
2. Press the + or – buttons to select the number of hours you want the air conditioner to remain off before turning On. **NOTE:** Wait approximately 5 seconds for the Turn-On time to be saved.

#### To cancel the timer:

- Press the **Timer** button once, the hours remaining will flash, press the timer button again and the timer will be canceled.

### H. WiFi Connect Pad (on some Models)

1. Connect your air conditioner to WiFi router.
2. Press and hold the **TIMER** button for 3 seconds to connect the app or disconnect the app. Refer to the "WiFi Set up" section for more information.

# CONTROLS

The display will always default to show the room temperature. When the air conditioner is turned on, it will automatically start in the last mode and fan settings selected.

## Cool Mode

Use the COOL mode for cooling.

To set the COOL mode:

1. Press the **MODE** pad until the **COOL** indicator light is lit.
2. Press the **FAN** pad to set **HIGH**, **MEDIUM**, or **LOW** fan speed.
3. Press **+ or -** to set the desired temperature between 61°F and 89°F in 1°F increments.

After settings have been made, the display will change back to show the room temperature.

The temperature control is used to maintain the room temperature. The compressor will cycle on and off to keep the room at the set level of comfort. Set the temperature control at a lower number and the indoor air will become cooler. Set the temperature control at a higher number

and the indoor air will become warmer. **NOTE:** If the air conditioner is off and is then turned on while set to COOL, it will take approximately 3 minutes for the compressor to start and cooling to begin.

### Cooling Descriptions

**For Normal Cooling**—Select the COOL mode and HIGH, MEDIUM, or LOW fan speed with a middle set temperature.

**For Maximum Cooling**—Select the COOL mode and HIGH fan speed with a lower set temperature.

**For Quieter & Nighttime Cooling**—Select the COOL mode and LOW fan speed with a middle set temperature.

**NOTE:** If you switch from COOL or DRY mode setting to OFF, wait 3 minutes before restarting.

## DRY Mode—Dehumidification

Use the DRY mode to provide dehumidification only. The fan will run at a fixed speed at this setting, so a fan speed cannot be set. Keep windows and doors closed for the best dehumidifying effects.

**To set the DRY mode:**

- Press the **MODE** pad until the DRY indicator light is lit.

In the DRY mode, a set temperature will not be displayed. After DRY mode has been set, the display will change back to show the room temperature.

**NOTE:** If you switch from a DRY setting to OFF or to a fan setting, wait at least 3 minutes before switching back to a DRY setting.

## FAN Mode

Use the FAN mode to provide air circulation and filtering without cooling.

**To set the FAN mode:**

- Press the FAN pad until the desired indicator light for high, medium, or low fan speed is lit.

Since fan only settings do not provide cooling, a set temperature will not be displayed. After FAN speed has been set, the display will change back to show the room temperature.

The exhaust hose and window kit do not need to be installed when operating in fan mode."

## HEAT Mode

Use the Heat mode at Low, Med, High or Auto Fan Speed for heating. Use the Temperature Increase (+) /Decrease (-) pads to set the desired temperature between 61°F and 86°F in 1°F increments.

An electronic thermostat is used to maintain the room temperature. The heater will cycle on and off to keep the room at the set level of comfort.

## Power Outage Recovery Feature

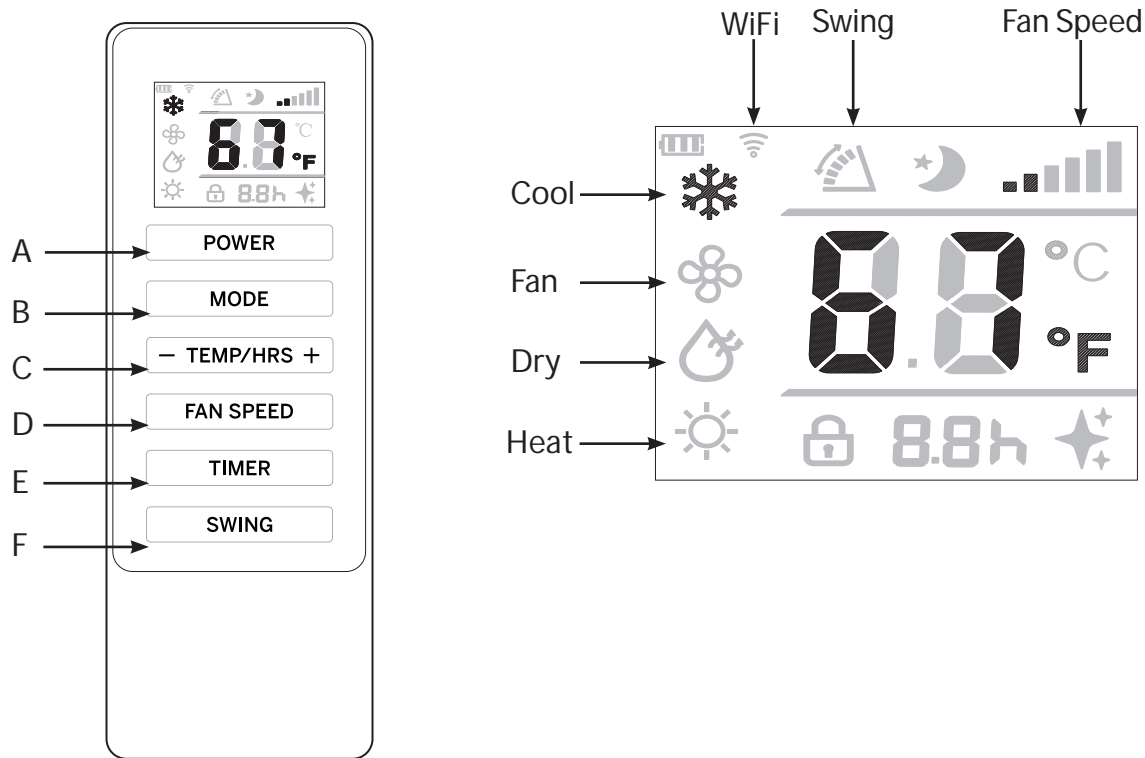
In the case of a power outage or interruption, the unit will automatically re-start in the settings last used after the power is restored.

**NOTE:** If the TIMER was set before the power outage, it will need to be reset after power is restored.

# CONTROLS

Features and appearance may vary.

Icons on the remote control indicate the selected settings



## REMOTE CONTROL

1. Insert the two batteries (provided).
2. Aim the remote control at the signal receiver on the control panel to operate the air conditioner.

### A. Power

Turns ON/OFF power to the air conditioner.

**NOTE:** Turning off power by pressing the Power button does NOT disconnect the appliance from the power supply.

- Press the Power button. The Power indicator will illuminate.

### B. Mode

Press the Mode button to toggle among the operating options. The corresponding indicator will illuminate:

Heat (on some models) - Heats the room to the set temperature

Cool - Cools the room to the set temperature

DRY - Reduces the humidity in the room

Fan - Circulates the air in the room without cooling

### C. Temperature

Adjusts the Temperature or Hours in Time Delay.

**To Set the Temperature:**

The temperature can be set between 61°F and 89°F (17°C and 30°C) when the air conditioner is in Cool mode.

1. Press the Mode button until the Cool mode is selected.
2. Press the Up Arrow or Down Arrow buttons to select the Temperature.

**NOTE:** The temperature cannot be set when the air conditioner is in either Fan or DRY mode.

**NOTE:** The Up Arrow and Down Arrow buttons, when pressed at the same time, allow you to select between displaying the temperature in °C or °F. The corresponding indicator will illuminate.

### D. Fan Speed

The fan speed can be adjusted from Low, Medium, to High speed when the air conditioner is in operation.

**NOTE:** The fan speed cannot be adjusted when the unit is in DRY mode.

- Press the Fan Speed button to toggle among the three speeds. The corresponding fan speed indicator will illuminate.

### E. Timer

Program a time from (1-hour to 24-hours) for the air conditioner to turn Off or On. When a Time Delay is programmed, the Timer indicator light will illuminate.

### F. Swing Button

The louvers on your portable air conditioner will open automatically (do not pry them open or push them shut).

Use the Swing Button on your remote to adjust the louvers in the position you would like them to be in, or to operate in Swing mode the louvers will continue to move up and down.

# CARE AND CLEANING

## CLEANING

### ⚠ WARNING



#### Electrical Shock Hazard

Disconnect power before cleaning.

Failure to do so can result in death or electrical shock.

1. Unplug or disconnect power.
2. Use only a soft cloth dampened with water to clean the cabinet.

#### NOTE:

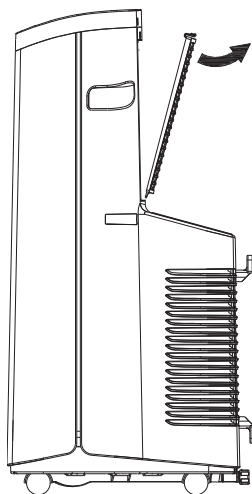
- Do not use a liquid or spray cleaner to clean the air conditioner.
  - **DO NOT** use chemicals, abrasives, ammonia, chlorine bleach, concentrated detergents, solvents or scouring pads. Some of these chemicals/items may damage and/or discolor your air conditioner.
3. Dry thoroughly with a soft cloth.
  4. Plug in or reconnect power.

## Air Filter

The air filters should be cleaned at least every two weeks for your unit to operate at optimum efficiency.

### ⚠ CAUTION

**DO NOT** operate the air conditioner without a filter because dirt and lint will clog it and reduce performance.



#### To remove:

1. Unplug or disconnect power.
2. Pull to remove upper filter panel.
3. Wash or vacuum the dust from the air filters.

**NOTE:** If washed, gently shake the filter to remove the excess water and dust particles trapped in the filter.

4. Reinstall the filters.
5. Plug in or reconnect power.

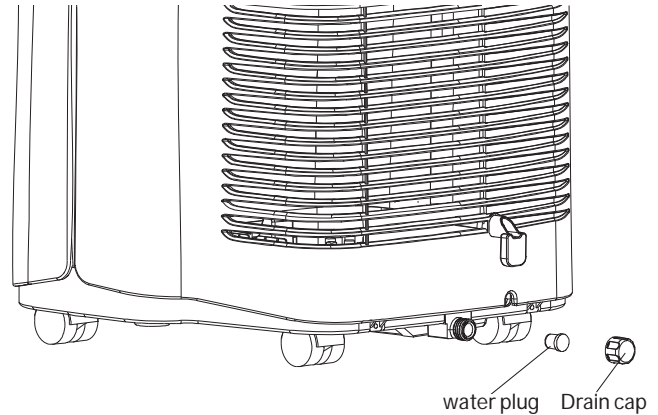
# CARE AND CLEANING

## Internal Water Tank

The Water Full indicator ("FL" on the control panel display) illuminates when the internal water tank has filled with condensed water.

To Empty the Internal Water Tank:

1. Unplug or disconnect power.
2. Place a shallow 1 quart or larger pan (not included) below the lower drain located on the back (near the bottom) of the air conditioner.
3. Remove the cap and the rubber plug and drain the water tank.
4. Re-insert the drain plug and screw the cap snugly into place.
5. Plug in or reconnect power.



## Storage

If the unit is not being used for a long period of time:

To Empty the Internal Water Tank:

1. Unplug or disconnect power.

2. Drain the water from the water tank. (See "Internal Water Tank section" above.)
3. Use the original packaging to repack the unit to avoid a buildup of dust or dirt.
4. Store the air conditioner in a cool, dry location.

## How to Insert the Batteries in the Remote Control

1. Remove the battery cover by sliding it according to the arrow direction.
2. Insert new batteries, making sure that the (+) and (-) of battery are installed correctly.
3. Reattach the cover by sliding it back into position.

### NOTES:

- Use 2 "AAA" (1.5 volt) alkaline batteries. Do not use rechargeable batteries.
- Remove the batteries from the remote control if the system is not going to be used for a long time.
- Do not mix old and new batteries. Do not mix alkaline, standard (carbon-zinc) or rechargeable (ni-cad, ni-mh, etc) batteries.

# INSTALLATION INSTRUCTIONS

Questions? visit our Website at: [haierappliances.com](http://haierappliances.com).

## BEFORE YOU BEGIN

Read these instructions completely and carefully.

- **IMPORTANT** — Save these instructions for local inspector's use.
- **IMPORTANT** — Observe all governing codes and ordinances.
- **Note to Installer** – Be sure to leave these instructions with the Consumer.
- **Note to Consumer** – Keep these instructions for future reference.
- **Skill level** – Installation of this appliance requires basic mechanical skills.
- **Completion time** – Approximately 1 hour
- We recommend that two people install this product.
- Proper installation is the responsibility of the installer.
- Product failure due to improper installation is not covered under the Warranty.
- You **MUST** use all supplied parts and use proper installation procedures as described in these instructions when installing this air conditioner.

## ELECTRICAL REQUIREMENTS



Some models require a 115/120-volt AC, 60-Hz grounded outlet protected with a 15-amp time-delay fuse or circuit breaker.

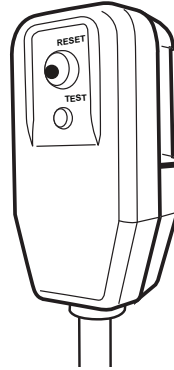
The 3-prong grounding plug minimizes the possibility of electric shock hazard. If the wall outlet you plan to use is only a 2-prong outlet, it is your responsibility to have it replaced with a properly grounded 3-prong wall outlet.

## ⚠ CAUTION

Do not, under any circumstances, cut or remove the third (ground) prong from the power cord.

Do not change the plug on the power cord of this air conditioner.

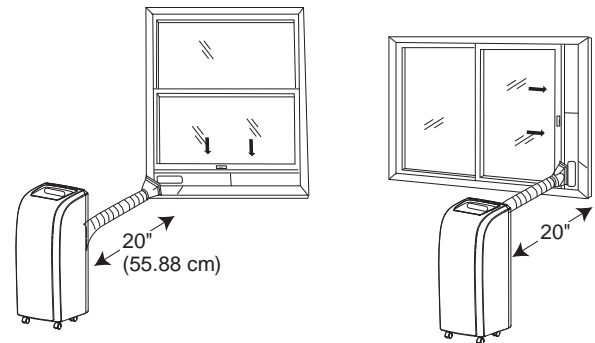
Aluminium house wiring may present special problems—consult a qualified electrician.



Power cord includes a current interrupter device. A test and reset button is provided on the plug case. The device should be tested on a periodic basis by first pressing the **TEST** button and then the **RESET** button while plugged into the outlet. If the **TEST** button does not trip or if the **RESET** button will not stay engaged, discontinue use of the air conditioner and contact a qualified service technician.

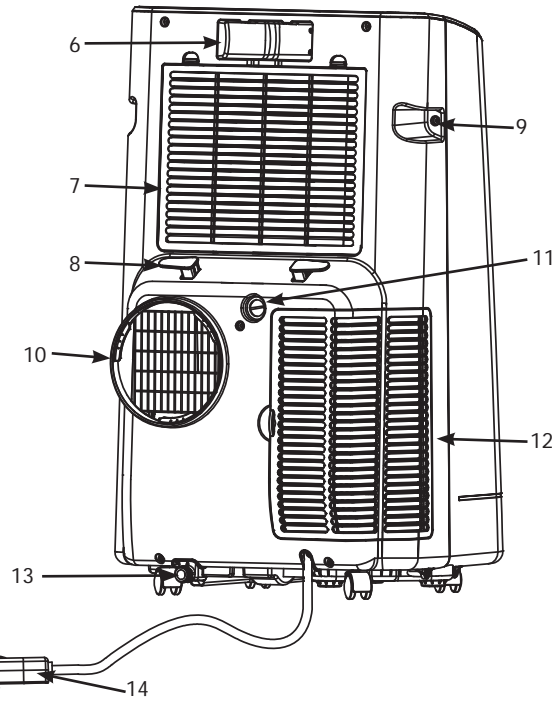
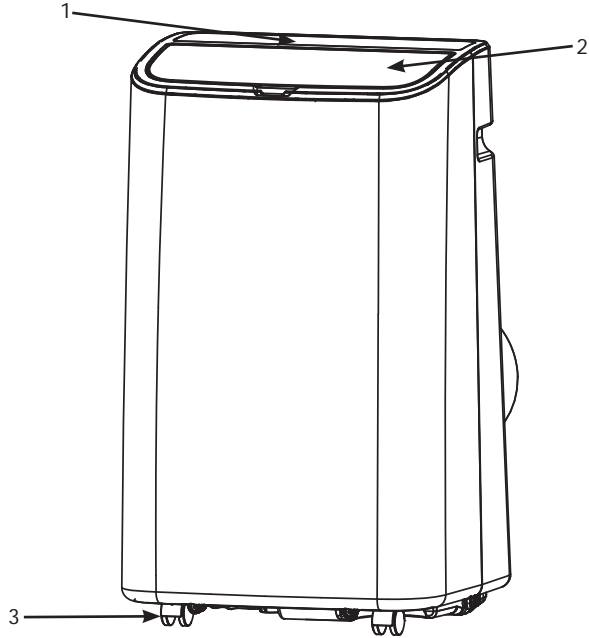
## LOCATION REQUIREMENTS

- Place the air conditioner on a flat, level surface in a location that is at least 30" (76.2 cm) from any wall.
- NOTE:** A minimum clearance of 30" (76.2 cm) from the air conditioner to the wall must be maintained to ensure proper airflow.
- Maintain a minimum 30" (76.2 cm) clearance around the air conditioner to not block airflow.
  - Keep the air conditioner free of any obstructions such as drapes, curtains, blinds, etc.
  - The exhaust hose should be free of any obstructions.
  - Do not place the air conditioner on an unstable or raised surface because it could fall and cause damage or injury.
  - Do not place the air conditioner in direct sunlight or near a heat source such as baseboard heaters, stoves, etc.
  - The window panel can be installed in a window with a minimum 20" (55.88 cm) to a maximum 46" (121.92) opening.

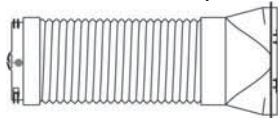


# INSTALLATION INSTRUCTIONS

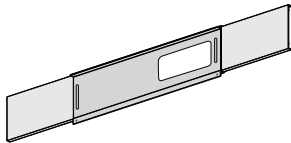
## PARTS INCLUDED (Appearance may vary)



- 1. Control Panel
- 2. Swing Air Louvers
- 3. Casters
- 4. Exhaust hose assembly



- 5. Window sealing plate assembly



- 6. Remote Control
- 7. Filter Panel
- 8. Power Cord Hook (2)
- 9. Handle (2)
- 10. Air Vent - exhaust
- 11. Continuous Drainage hole
- 12. Air inlet grille
- 13. Drainage hole
- 14. Power Cord and plug

# INSTALLATION INSTRUCTIONS

## 1. UNPACK AIR CONDITIONER

### ⚠ WARNING

#### Excessive Weight Hazard

Use two or more people to move and install air conditioner.

Failure to do so can result in back or other injury.

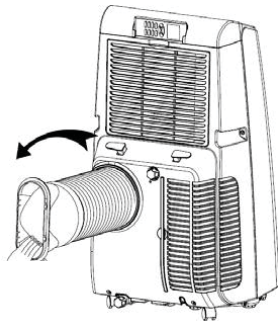
- Remove packaging materials. Save the carton and the foam packaging for storing the air conditioner when not in use.

**NOTE:** There are NO packing materials inside the air conditioner to remove—Do Not open the cabinet.

- Properly dispose of/recycle all packing material.
- Handle the air conditioner gently.
- Keep the air conditioner upright and level. Do not set the air conditioner on its side, front, back or upside down.

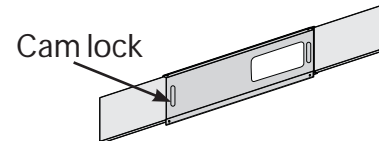
## 2. INSTALL EXHAUST HOSE ASSEMBLY TO BACK OF UNIT

Install the exhaust hose assembly by screwing the hose counterclockwise into the exhaust port on the back of the Air Conditioner.

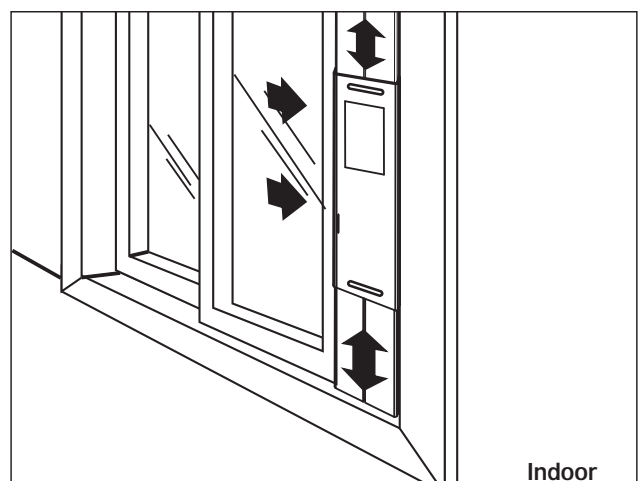
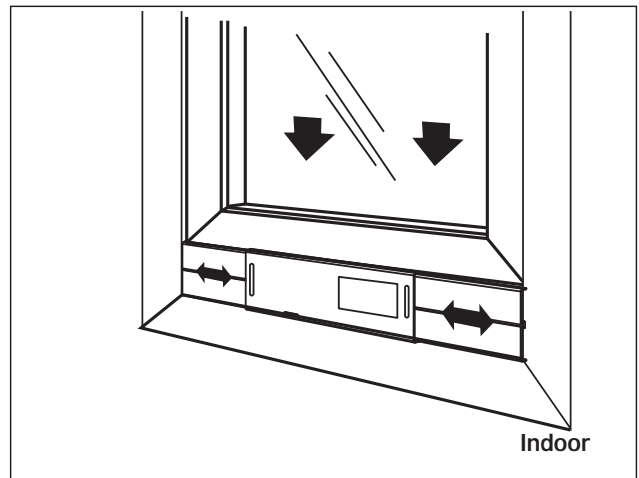


## 3. INSTALL WINDOW PANELS

- A. Measure the window opening. For a 20" opening, use just the middle panel of the Window Kit with the opening for the Exhaust Hose Adapter. For openings from 20" to 33", insert one side panel to the middle panel, for openings from 33" to 46", insert both side panels.



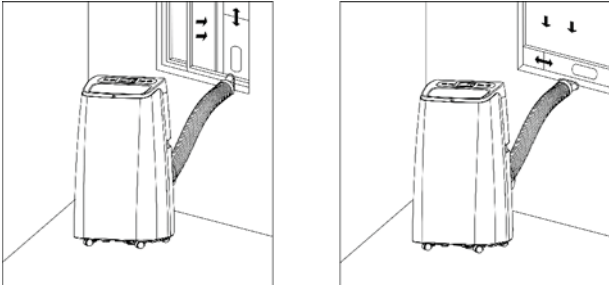
- B. Place the Window Kit into the window opening (the Cam Locks should be towards you) and slide the side panels (if being used) outward to fill the opening. Lock the panels in place with the Cam Locks. Apply the foam seals to the top, bottom and ends to provide the best seal. Slide the window shut against the Window Kit.



# INSTALLATION INSTRUCTIONS

## 4. CONNECT EXHAUST HOSE TO THE WINDOW PANEL

Place the Air Conditioner close to the window ensuring there is at least 20" of clearance from the wall and any other obstructions. Extend the hose so that it reaches the Window Kit. Insert the Exhaust Hose Adapter into the opening in the Window Kit and slide it into the locking position. Ensure that the hose runs straight to the window with no excess extension. Important: The Air Conditioner must be vented to the outside. Do not use a longer hose or extend the hose included with the Air Conditioner or the unit will not cool properly and will overheat.



## 5. COMPLETE INSTALLATION

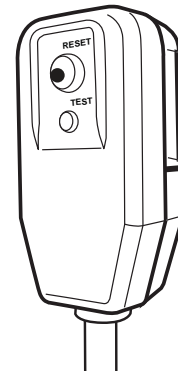
### ⚠ WARNING



#### Electrical Shock Hazard

Plug into a grounded 3 prong outlet.  
Do not remove the ground prong from the power cord plug.  
Do not use an adapter.  
Do not use an extension cord.  
Failure to do so can result in death, fire or electrical shock.

- A. Plug the power cord into a grounded 3 prong outlet.
- B. Press the Reset button on the plug to ensure the safety plug is providing power to the Air Conditioner.
- C. Allow 20" of clearance around the Air Conditioner for proper air circulation
- D. When removing the Air Conditioner, be sure to remove the Window Kit.



# TROUBLESHOOTING TIPS

Problem	Possible Causes	Solution
Unit does not start or operate	Power supply cord is not plugged into an outlet.	Plug the power cord into a grounded 3 prong outlet.
	Power supply cord has tripped.	Press and release the RESET button on the power supply cord.
	The Power button has not been pressed.	Press the Power button on the Control Panel or Remote Control to turn ON the air conditioner.
	There is no power to the electrical outlet.	Plug a working lamp into the outlet to check for power.
	A household fuse has blown or a circuit breaker has tripped.	Replace the fuse or reset the circuit breaker.
	The control was programmed for a Time Delay.	Cancel the Time Delay. See "Control Panel."
	The batteries in the remote control are dead.	Replace the batteries.
	The internal water tank is full. NOTE: The air conditioner automatically turns off, and the Water Full indicator illuminates to alert you of this condition.	Empty the water tank. See "Air Conditioner Care."
Remote control is not working	Batteries are dead.	Replace the batteries.
	Batteries are installed incorrectly.	Make sure the batteries are inserted in the correct position.
Air conditioner is working but the room is not cooling.	The room temperature is hot. NOTE: On extremely hot and humid days, the air conditioner will take longer to cool the room.	Allow time for the room to cool when you first turn on the unit. Make sure the air conditioner has an adequate BTU rating for the size of the room being cooled.
	The control is set incorrectly to Fan or DRY mode.	Set the Mode to Cool and the Fan Speed to High.
	Airflow is restricted.	Remove any obstacles to the airflow and redirect airflow for uniform cooling.
	Temperature set too high.	Lower the set temperature.
	Air filters are dirty or restricted.	Clean the air filter. See "Air Conditioner Care."
	Air conditioner installed incorrectly	Check the exhaust hose and window panel for proper installation.
	Doors and windows are open.	Close the doors and windows to the room being cooled to prevent cooled air from escaping.

## Error Codes

Error Codes	Meaning
E1	Abnormal sense of coil pipe sensor
E2	Abnormal sense of room temperature sensor
E4	Anti-frozen protection
FL	Full water

## WiFi SETUP (on some models)

### Haier Appliances WiFi Connect (for customers in the United States)

**Haier Appliances WiFi Connect Enabled\***. If your Air Conditioner (AC) has a Connected Appliance Information label located on the outside as shown below, your AC is **Haier Appliances WiFi Connect Enabled**. A WiFi communication card is built into the product allowing it to communicate with your smart phone for remote monitoring, control and notifications. Please visit [haierappliances.com/connect](http://haierappliances.com/connect) to learn more about connected appliance features, and to learn what connected appliance apps will work with your smart phone.



### How it Works

Download the Haier Home App



Use the app to connect your room air conditioner to WiFi



Once connected, use the app to turn down your air conditioner as you leave work.



### Getting Started

To connect your room air conditioner, you'll need the Haier Appliances App. The app will walk you through the connection process. Download the app from iTunes or Google Play.



All connected appliance data is held in strict accordance with the Haier Appliances Connected Data Privacy Policy. Visit [geappliances.com/privacy/privacy\\_policy\\_connected](http://geappliances.com/privacy/privacy_policy_connected) to view this policy.

### Questions about WiFi Connect

Get answers you need about setting up WiFi appliances and connecting to your home network in our support articles. Visit [products.geappliances.com/appliance/gea-support-search-content](http://products.geappliances.com/appliance/gea-support-search-content) to view WiFi connect room air conditioner support articles.

## REGULATORY INFORMATION

### FCC/IC Compliance Statement:

This device complies with Part 15 of the FCC Rules. Operation is subject to the following two conditions:

1. This device may not cause harmful interference.
  2. This device must accept any interference received, including interference that may cause undesired operation.
- This equipment has been tested and found to comply with the limits for a Class B digital device, pursuant to Part 15 of the FCC Rules. These limits are designed to provide reasonable protection against harmful interference in a residential installation. This equipment generates uses and can radiate radio frequency energy and, if not installed and used in accordance with the instructions, may cause harmful interference to radio communications. However, there is no guarantee that interference will not occur in a particular installation. If this equipment does cause harmful interference to radio or television reception, which can be determined by turning the equipment off and on, the user is encouraged to try to correct the interference by one or more of the following measures:
- Reorient or relocate the receiving antenna.

- Increase the separation between the equipment and receiver.
- Connect the equipment into an outlet on a circuit different from that to which the receiver is connected.
- Consult the dealer or an experienced radio/television technician for help.

**Labelling:** Changes or modifications to this unit not expressly approved by the manufacturer could void the user's authority to operate the equipment.

**\*Select Models Only**

This product has WiFi capability and requires Internet connectivity and a wireless router to enable interconnection with an Energy Management System, and/or with other external devices, systems or applications.

Use of the Works with Apple HomeKit™ logo means that an electronic accessory has been designed to connect specifically to iPod touch®, iPhone®, or iPad®, respectively, and has been certified by the developer to meet Apple® performance standards. Apple is not responsible for the operation of this device or its compliance with safety and regulatory standards.

# LIMITED WARRANTY

For The Period Of:	Haier Appliances Will Replace:
One Year From the date of the original purchase	<b>Replacement, repair, or refund</b> of the original retail price for any product which fails due to a defect in materials or workmanship. If the unit is exchanged, the replacement unit is warranted for the remainder of your product's original one-year warranty period. Haier Appliances will, at its sole discretion, replace the product with a product of the same or comparable functionality and quality or refund the original retail price.

## In Order to Make a Warranty Claim During the First 90 Days from the Date of Original Purchase:

- Properly pack your unit. We recommend using the original carton and packing materials.
- Return the product to the retail location where it was purchased.
- Include in the package a copy of the sales receipt or other evidence of date of original purchase. Also print your name and address and a description of the defect.

## In Order to Make a Warranty Claim During the Remainder of the One-Year Warranty:

- Locate your original sales receipt and make a note of your model and serial number.
- Visit [haierappliances.com](http://haierappliances.com) to initiate the product replacement process.
- You will be asked to provide your name, address, date of purchase, model and serial number.
- Haier Appliances will arrange for a carton to be sent to your home to recover the product.
- Please return all requested materials (postage pre-paid) in the carton provided. Please include a description of the defect.
- You should receive your replacement product or refund within 7 to 10 business days after your package is received.

## What Will Not Cover:

- Customer instruction. This owner's manual provides information regarding operating instructions and user controls.
- Improper installation. If you have an installation problem, or if the air conditioner is of improper capacity, contact your dealer or installer. You are responsible for providing adequate electrical connecting facilities.
- Failure of the product resulting from modifications to the product or due to unreasonable use including failure to provide reasonable and necessary maintenance.
- Replacement of house fuses or resetting of circuit breakers.
- Failure due to corrosion on models not corrosion-protected.
- Damage to the product caused by improper power supply voltage, accident, fire, floods or acts of God.
- Incidental or consequential damage caused by possible defects with this air conditioner.
- Damage caused after delivery.

**EXCLUSION OF IMPLIED WARRANTIES** - Your sole and exclusive remedy is product repair as provided in this Limited Warranty. Any implied warranties, including the implied warranties of merchantability or fitness for a particular purpose, are limited to one year or the shortest period allowed by law.

**For US Customers:** This limited warranty is extended to the original purchaser and any succeeding owner for products purchased for home use within the USA. If the product is located in an area where service by a Haier Appliances Authorized Servicer is not available, you may be responsible for a trip charge or you may be required to bring the product to an Authorized Haier Appliances Service location for service. In Alaska, the limited warranty excludes the cost of shipping or service calls to your home.

Some states do not allow the exclusion or limitation of incidental or consequential damages. This limited warranty gives you specific legal rights, and you may also have other rights which vary from state to state. To know what your legal rights are, consult your local or state consumer affairs office or your state's Attorney General.

**Warrantor US:**  
**GE Appliances, a Haier company**  
 Louisville, KY 40225

Staple your receipt here. Proof of the original purchase date is needed to obtain service under the warranty.

# TABLE DES MATIÈRES

CONSIGNES DE SÉCURITÉ .....	4
CONTRÔLES .....	5
ENTRETIEN ET NETTOYAGE .....	8
INSTRUCTIONS D'INSTALLATION .....	10
DES CONSEILS DE DÉPANNAGE .....	14
CONFIGURATION DU WI-FI .....	15
GARANTIE .....	16

## CONSERVER DANS VOS DOSSIERS

Merci d'acheter ce produit Haier. Ce manuel d'utilisation vous aidera à obtenir le meilleur rendement de votre nouveau climatiseur.

Para referencia futura, registre el modelo y el número de serie ubicados en el deshumidificador y la fecha de compra.

Agrafez votre preuve d'achat à ce manuel pour faciliter le service de la garantie en cas de besoin.

\_\_\_\_\_

Numéro de modèle

\_\_\_\_\_

Numéro de série

\_\_\_\_\_

Date d'achat

## SITE WEB HAIER

Vous avez une question ou vous avez besoin d'aide pour votre appareil électroménager? Visitez le site Web de Haier 24 heures par jour, tous les jours de l'année! Vous pouvez aussi y trouver d'autres produits Haier formidables et tirer avantage de tous nos services d'assistance en ligne. Aux États-Unis : **Haierappliances.com**

# CONSIGNES DE SÉCURITÉ IMPORTANTES

## CONSIGNES DE SÉCURITÉ IMPORTANTES

LISEZ TOUTES LES INSTRUCTIONS AVANT D'UTILISER L'APPAREIL

### INSTRUCTIONS DE SÉCURITÉ IMPORTANTES

#### **▲ WARNING**

Afin de réduire le risque d'incendie, de choc électrique, de blessures corporelles ou de dommage lors de l'utilisation du climatiseur, observez des précautions élémentaires dont les suivantes :

- Lisez toutes les instructions avant d'utiliser cet appareil.
- Branchez l'appareil dans une prise à 3 trous avec mise à la terre.
- Ne retirez pas la broche de mise à la terre.
- N'utilisez pas un adaptateur.
- N'utilisez pas un cordon de rallonge.
- N'utilisez pas le climatiseur si son cordon ou sa fiche sont endommagés, s'il ne fonctionne pas correctement ou s'il a été échappé ou endommagé autrement.
- Le climatiseur doit être réparé et entretenu par un personnel qualifié seulement. Contactez une entreprise en réparation autorisée pour l'inspection, la réparation ou l'ajustement de l'appareil.

- Coupez l'alimentation électrique avant une réparation ou un entretien.

- Coupez l'alimentation électrique avant le nettoyage.

**REMARQUE :** Mettre l'appareil hors tension en appuyant sur le bouton Power (marche-arrêt) NE coupe PAS l'alimentation électrique à l'appareil.

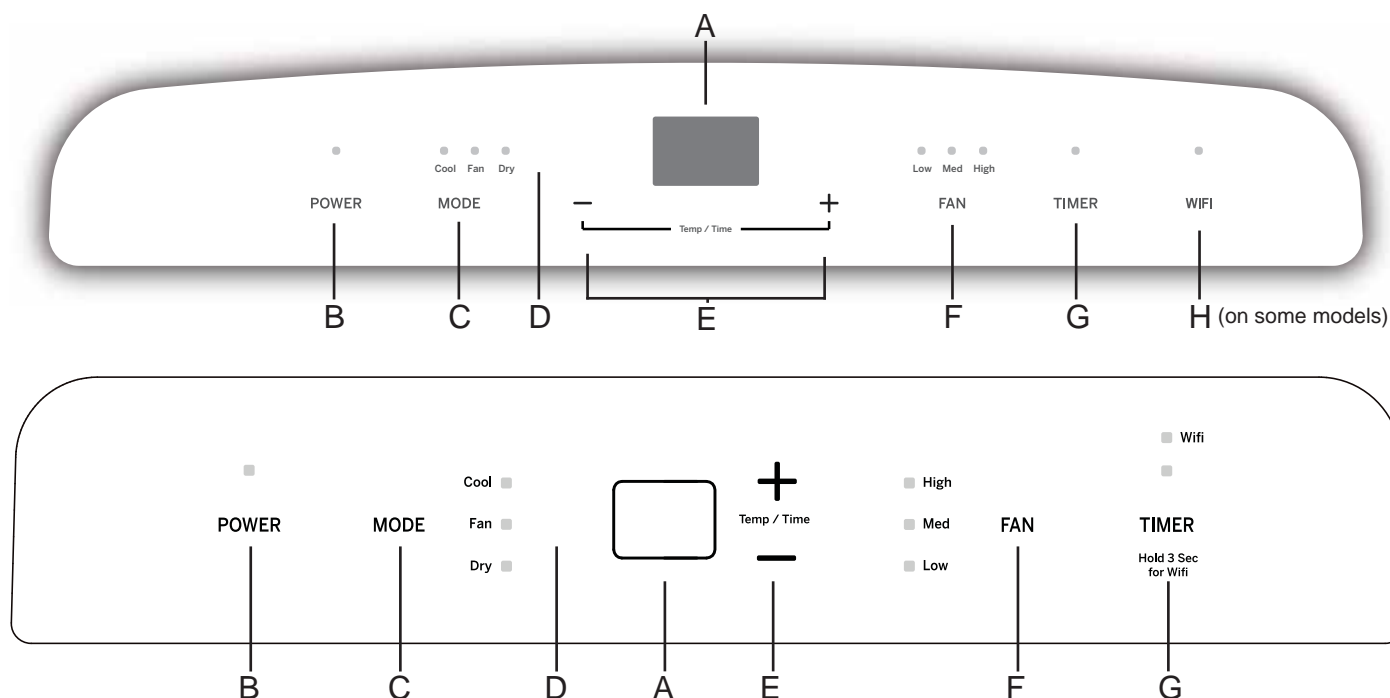
- N'installez pas et n'utilisez pas le climatiseur dans une zone où l'atmosphère contient des gaz combustibles ou est contaminée. Évitez de mettre un produit chimique en contact avec votre climatiseur.
- Ne rangez aucune objet directement sur le dessus du climatiseur.
- Utilisez deux personnes ou plus pour déplacer ou installer le climatiseur.
- Ne faites pas fonctionner le climatiseur sans que le filtre ne soit en place.
- N'utilisez pas le climatiseur près d'une baignoire, d'une douche, d'un lavabo ou d'un autre endroit mouillé.

LISEZ ET CONSERVEZ CES INSTRUCTIONS

# CONTRÔLES

Les fonctions et l'aspect peuvent varier.

Les témoins lumineux à côté des touches à effleurement sur le tableau de commandes du climatiseur indiquent



## Commandes

### A. ÉCRAN DU PANNEAU DE COMMANDE

Affiche le réglage de la température en degrés Fahrenheit ou les heures restantes du délai programmé avec la minuterie. Le témoin lumineux correspondant va s'allumer.

### B. Bouton marche/arrêt (Power)

Met le climatiseur sous ou hors tension.

**REMARQUE :** Mettre l'appareil hors tension en appuyant sur le bouton Power (marche-arrêt) NE coupe PAS l'alimentation électrique à l'appareil.

- Pressez le bouton Power. Le témoin lumineux Power va s'allumer.

### C. Bouton des modes

Pressez le bouton Mode pour défiler parmi les options de fonctionnement. Le témoin lumineux correspondant va s'allumer :  
Cool – Refroidit la pièce à la température du réglage.  
Dry – Réduit l'humidité dans la pièce.  
Fan – Fait circuler l'air dans la pièce sans refroidissement.

### D. Fenêtre de réception du signal de la télécommande

Orientez la télécommande vers cette fenêtre afin que le panneau de commande reçoive le signal.

### E. Boutons plus (+) et moins (-)

Règlent la température, ou les heures du délai programmé avec la minuterie.

#### Pour régler la température :

Vous pouvez régler la température entre 64°F et 86°F (18°C et 30°C) lorsque le climatiseur est mode de refroidissement.

1. Pressez le bouton Mode jusqu'à sélectionner le mode Cool.
  2. Pressez les boutons (+) ou (-) pour sélectionner la température.
- REMARQUE :** Vous ne pouvez pas régler la température lorsque le climatiseur se trouve dans le mode Fan ou Dry.

### F. Bouton de vitesse du ventilateur

Vous pouvez régler le ventilateur à basse (Low), moyenne (Medium) ou haute (High) vitesse lorsque le climatiseur se trouve dans le mode Cool ou Fan.

**REMARQUE :** Vous ne pouvez pas régler la vitesse du ventilateur lorsque le climatiseur se trouve dans le mode Dry.

- Pressez le bouton Fan pour faire défiler les trois vitesses. Le témoin lumineux de la vitesse correspondante va s'allumer.

### G. Bouton de la minuterie (Timer)

Permet de programmer un délai (de 1 à 24 heures) pour démarrer ou arrêter le climatiseur. Lorsqu'un délai est programmé, le témoin lumineux de la minuterie va s'allumer.

Alors que le climatiseur fonctionne :

1. Pressez le bouton Timer.
2. Pressez les boutons (+) ou (-) pour sélectionner le nombre d'heures durant lequel le climatiseur doit continuer à fonctionner avant de s'éteindre.

**REMARQUE :** Attendez environ 5 secondes pour sauvegarder le délai.

Alors que le climatiseur est en arrêt :

1. Appuyez sur le bouton Timer.
2. Pressez les boutons (+) ou (-) pour sélectionner le nombre d'heures durant lequel le climatiseur doit rester en arrêt avant de se mettre en marche.

**REMARQUE :** Attendez environ 5 secondes pour sauvegarder le délai.

Pour annuler la minuterie :

- Pressez le bouton Timer une fois, les heures qui restent vont clignoter, pressez le bouton Timer de nouveau et la minuterie sera annulée.

### H. Touche de connexion Wi-Fi (certains modèles)

1. Pressez le bouton Timer durant 3 secondes pour connecter ou déconnecter l'application.
2. Connectez votre climatiseur au routeur Wi-Fi. Reportez-vous à la section « Configuration du Wi-Fi » pour des précisions.

# CONTRÔLES

Par défaut, l'écran affiche toujours la température ambiante.

Lorsque le climatiseur est mis sous tension, il démarre automatiquement avec les derniers réglages du mode et du ventilateur.

## Mode de refroidissement (Cool)

Utilisez le mode COOL pour refroidir la pièce.

Pour régler le mode COOL :

1. Pressez la touche MODE jusqu'à ce que le témoin lumineux COOL s'allume.
2. Pressez la touche FAN pour régler la vitesse du ventilateur à HIGH, MEDIUM ou LOW.
3. Appuyez sur (+) ou (-) pour régler la température désirée entre 61°F et 89°F par sauts de 1°F.

Une fois les réglages terminés, l'écran retournera à l'affichage de la température ambiante.

La commande de température est utilisée pour maintenir la température ambiante. Le compresseur va s'allumer et s'éteindre en alternance pour maintenir la pièce au niveau de confort que vous avez réglé. Réglez la commande de température à une valeur plus basse et l'air intérieur deviendra plus froid. Réglez la commande de température à une valeur plus haute et l'air intérieur deviendra plus

chaud.

**REMARQUE** : Si le climatiseur est éteint et qu'il est allumé alors qu'il est réglé à COOL, il faudra environ 3 minutes pour démarrer le compresseur et le refroidissement.

### Réglage du refroidissement

Pour un refroidissement normal — Sélectionnez le mode COOL et la vitesse de ventilateur HIGH, MEDIUM ou LOW avec un réglage de température moyen.

Pour un refroidissement maximal — Sélectionnez le mode COOL et la vitesse de ventilateur HIGH avec un réglage de température bas.

Pour un refroidissement plus silencieux et de nuit — Sélectionnez le mode COOL et la vitesse de ventilateur LOW avec un réglage de température moyen.

**REMARQUE** : Si vous passez du mode COOL ou DRY à la mise en arrêt (OFF), attendez 3 minutes avant de redémarrer.

## Mode DRY — Déshumidification

Utilisez le mode DRY pour la déshumidification seulement. Avec ce mode, le ventilateur tourne à une vitesse fixe qu'il est impossible de modifier. Gardez les fenêtres et les portes fermées pour une déshumidification plus efficace.

Pour régler le mode DRY :

- Pressez la touche MODE jusqu'à ce que le témoin lumineux DRY s'allume.

Dans le mode DRY, le réglage de température n'est pas affiché. Une fois le mode DRY réglé, l'écran retournera à l'affichage de la température ambiante.

**REMARQUE** : Si vous passez de DRY à OFF ou à FAN, attendez au moins 3 minutes avant de revenir à DRY.

Si vous utilisez le climatiseur dans le mode DRY comme déshumidificateur durant une longue période de temps :

1. Débranchez le cordon d'alimentation électrique.
2. Connectez un flexible sur l'orifice d'évacuation supérieur (voyez la page 10, évacuation supérieure no 11) et acheminez le flexible vers un drain de plancher.
3. Rebranchez le cordon d'alimentation et pressez MODE jusqu'à ce que le témoin lumineux DRY s'allume.

## Mode FAN (ventilateur)

Utilisez le mode FAN pour faire circuler et filtrer l'air sans refroidissement.

Pour régler le mode FAN :

- Pressez la touche FAN jusqu'à ce que le témoin lumineux de la vitesse de votre choix (HIGH, MEDIUM ou LOW) s'allume. Étant donné qu'un réglage de ventilateur seul ne génère

pas de refroidissement, le réglage de température ne sera pas affiché. Une fois la vitesse de ventilateur réglée, l'écran retournera à l'affichage de la température ambiante. Il n'est pas nécessaire d'installer le tuyau d'évacuation et la trousse de fenêtre lorsqu'on fonctionne en mode FAN.

## Mode de chauffage

Utilisez le mode de chauffage à vitesse de ventilation basse, moyenne, élevée ou automatique pour le chauffage. Utilisez les touches d'augmentation (+) / diminution (-) de la température pour régler la température désirée entre 61 ° F

et 86 ° F par incréments de 1 ° F.

Un thermostat électronique est utilisé pour maintenir la température ambiante. Le radiateur s'allumera et s'éteindra pour maintenir la pièce au niveau de confort défini.

## Fonction de récupération suivant une panne de courant

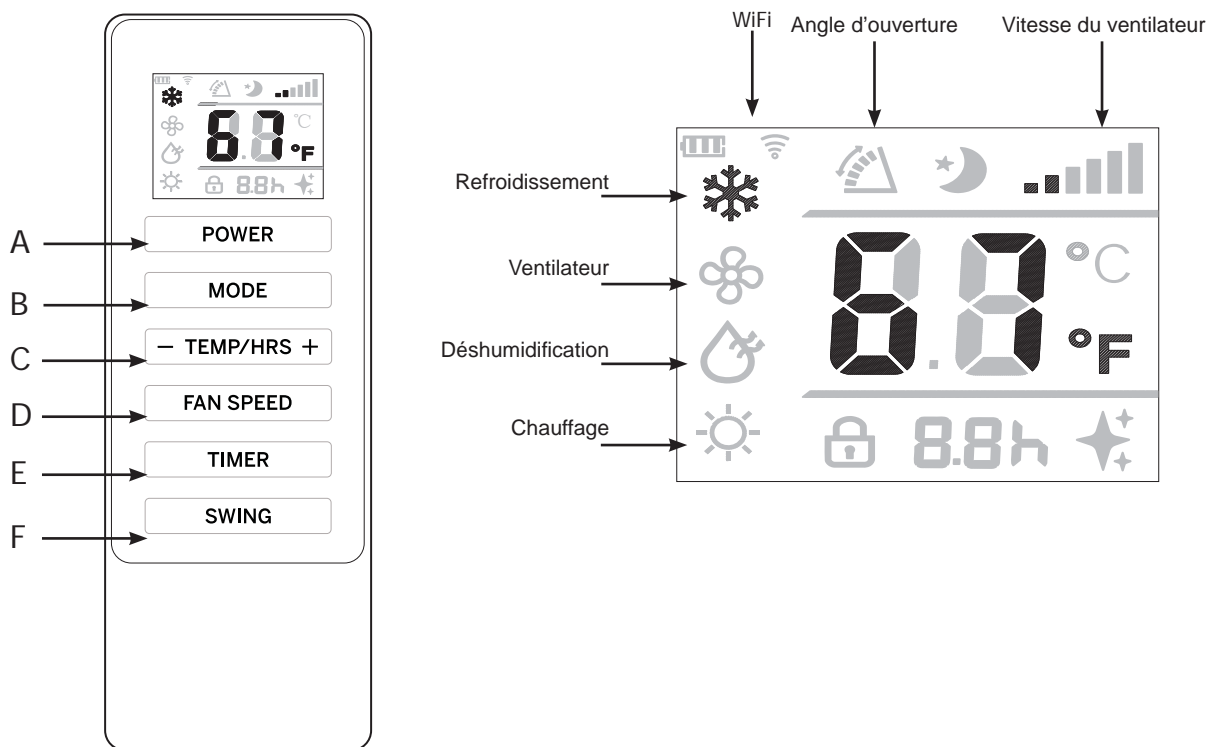
En cas de panne de courant ou d'interruption, le climatiseur va redémarrer automatiquement dans les réglages utilisés en dernier avant le rétablissement du courant.

**REMARQUE** : Si la minuterie a été réglée avant la panne de courant, elle devra être réglée de nouveau une fois le courant rétabli.

# CONTRÔLES

Les fonctions et l'apparence peuvent varier.

Les icônes sur le panneau de commande indiquent les réglages sélectionnés.



## TÉLÉCOMMANDE

1. Insérez les deux piles (fournies).
2. Orientez la télécommande vers le récepteur de signal sur le panneau de commande pour commander le climatiseur.

### A. Power (mise en marche/arrêt)

Met le climatiseur sous (ON) ou hors (OFF) tension.

**REMARQUE :** Mettre l'appareil hors tension (OFF) en appuyant sur le bouton Power NE coupe PAS l'alimentation électrique au climatiseur.

- Pressez le bouton Power. Le témoin lumineux Power va s'allumer.

### B. Mode

Pressez le bouton Mode pour défiler parmi les options de fonctionnement. Le témoin lumineux correspondant va s'allumer :

- Chauffage (Heat) (certains modèles) - Chauffe la pièce à la température du réglage
- Refroidissement (Cool) – Refroidit la pièce à la température du réglage.
- Déshumidification (Dry) – Réduit l'humidité dans la pièce.
- Ventilateur (Fan) – Fait circuler l'air dans la pièce sans refroidissement

### C. Temp/Hrs (température/minuterie)

Règle la température, ou les heures du délai programmé avec la minuterie.

**Pour régler la température :**

Vous pouvez régler la température entre 64°F et 86°F (18°C et 30°C) lorsque le climatiseur est mode de refroidissement.

1. Pressez le bouton Mode jusqu'à sélectionner le mode Cool.

2. Pressez les boutons (+) ou (-) pour sélectionner la température.

**REMARQUE :** Vous ne pouvez pas régler la température lorsque le climatiseur se trouve dans le mode Fan ou Dry.

### D. Fan Speed (vitesse du ventilateur)

Vous pouvez régler le ventilateur à basse (Low), moyenne (Medium) ou haute (High) vitesse lorsque le climatiseur fonctionne.

**REMARQUE :** Vous ne pouvez pas régler la vitesse du ventilateur lorsque le climatiseur est dans le mode DRY.

- Pressez le bouton Fan Speed pour faire défiler les trois vitesses du ventilateur. Le témoin lumineux de la vitesse correspondante va s'allumer.

### E. Timer (minuterie)

Permet de programmer un délai (de 1 à 24 heures) pour démarrer ou arrêter le climatiseur. Lorsqu'un délai est programmé, le témoin lumineux de la minuterie va s'allumer.

### F. Swing Button

Les événements de votre climatiseur portable s'ouvrent automatiquement (ne tentez pas de forcer leur ouverture ou leur fermeture).

Utilisez le bouton Swing sur votre télécommande pour régler l'angle d'ouverture des événements, ou pour faire pivoter les événements de haut en bas en continu.

# ENTRETIEN ET NETTOYAGE

## NETTOYAGE

### ⚠ AVERTISSEMENT



#### Risque de choc électrique

Débranchez le cordon d'alimentation avant le nettoyage.

L'omission de prendre ces précautions peut occasionner un choc électrique ou la mort.

1. Débranchez ou coupez l'alimentation électrique.
2. Utilisez un linge doux imbibé d'eau pour nettoyer la carrosserie.

#### REMARQUE :

- N'utilisez pas un nettoyant liquide ou en aérosol pour nettoyer le climatiseur.
  - N'utilisez pas de produits chimiques ou abrasifs, d'ammoniac, de javellisant au chlore, de détergents concentrés, de solvants ni de tampons à récurer. Certains de ces produits peuvent endommager ou décolorer votre climatiseur.
3. Séchez le climatiseur à fond avec un linge doux.
  4. Rebranchez le climatiseur ou rétablissez l'alimentation électrique.

## FILTRE À AIR

Les filtres à air doivent être nettoyés au moins toutes les deux semaines pour que l'appareil fonctionne à son efficacité maximale.

### ⚠ CAUTION

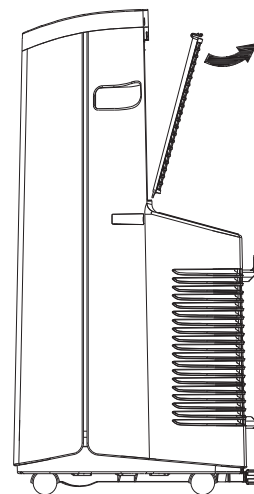
NE faites PAS fonctionner le climatiseur sans le filtre sous peine de le boucher avec de la poussière et de la charpie et de réduire son efficacité.

#### Pour retirer :

1. Débranchez ou coupez l'alimentation électrique.
2. Tirez pour retirer le panneau du filtre supérieur.
3. Pour nettoyer les filtres à air, lavez-les ou passez l'aspirateur.

**REMARQUE :** Si vous lavez les filtres, secouez-les délicatement pour retirer le surplus d'eau et les particules de poussière emprisonnées.

4. Réinstallez les filtres.
5. Rebranchez le climatiseur ou rétablissez l'alimentation électrique



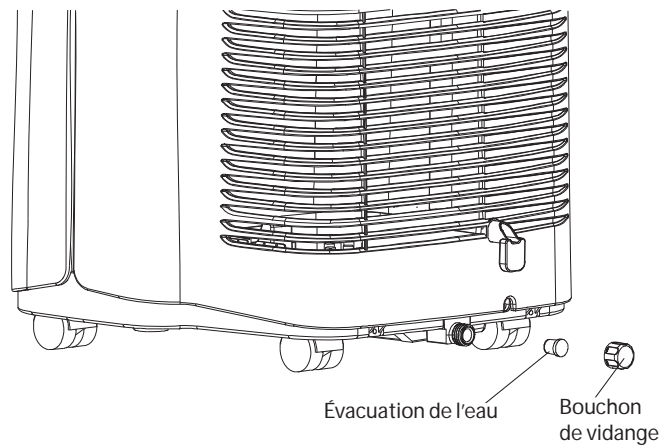
# ENTRETIEN ET NETTOYAGE

## Réservoir d'eau interne

L'indicateur de plein d'eau (« FL » sur l'écran du panneau de commande) s'allume lorsque le réservoir d'eau interne s'est rempli d'eau de condensation.

Pour vider le réservoir d'eau interne :

1. Débranchez ou coupez l'alimentation électrique.
2. Placez un bac peu profond d'une capacité d'un litre ou plus (non inclus) en dessous de l'orifice d'évacuation inférieure située sur l'arrière (près du bas) du climatiseur.
3. Retirez le capuchon et le bouchon en caoutchouc et videz le réservoir d'eau.
4. Réinsérez le bouchon d'évacuation et vissez bien le capuchon.
5. Rebranchez le climatiseur ou rétablissez l'alimentation électrique.



## Entreposage

Si le climatiseur n'est pas utilisé durant une longue période :

Pour vider le réservoir d'eau interne :

1. Débranchez ou coupez l'alimentation électrique.
2. Évacuez l'eau du réservoir. (Voyez la section Réservoir d'eau interne ci-dessus.)
3. Utilisez l'emballage d'origine pour remballer l'appareil afin de prévenir l'accumulation de poussière et de saletés.
4. Rangez le climatiseur dans un endroit frais et sec.

## Comment Insérer les Piles dans la Télécommande

1. Retirez le couvercle du logement des piles en le faisant glisser dans le sens indiqué par la flèche.
2. Insérez les nouvelles piles en vous assurant que les pôles (+) et (-) de la pile sont orientés dans la bonne direction.
3. Remettez le couvercle en le faisant glisser.

### REMARQUES :

- n Utilisez 2 piles alcalines AAA d'1,5 Volt. N'utilisez pas de piles rechargeables.
- n Retirez les piles de la télécommande si vous prévoyez de ne pas utiliser votre climatiseur pendant un certain temps.
- n Ne mélangez pas des piles neuves avec des piles usées. Ne mélangez pas ensemble les piles alcalines, standard (carbone-zinc) ou rechargeables (ni-cad, ni-mh, etc).

# INSTRUCTIONS D'INSTALLATION

Questions? visit our Website at: [haierappliances.com](http://haierappliances.com).

## AVANT DE COMMENCER

Lisez ces instructions entièrement et attentivement.

- **IMPORTANT** — Conservez ces instructions pour l'inspecteur électrique local.
- **IMPORTANT** — Respectez tous les codes et règlements en vigueur.
- **Remarque pour l'installateur** – Assurez-vous de remettre ces instructions au client.
- **Remarque pour le client** – Conservez ces instructions pour toute référence future.
- **Niveau de compétence** – L'installation de cet appareil demande des connaissances de base en mécanique.
- **Délai d'exécution** – Environ 1 heure
- Nous recommandons que l'installation de ce produit soit effectuée par deux personnes.
- L'installateur est responsable de l'installation correcte de l'appareil.
- La panne de l'appareil due à une mauvaise installation n'est pas couverte par la garantie.
- Vous DEVEZ utiliser toutes les pièces fournies et suivre la procédure d'installation du climatiseur décrite dans cette notice.

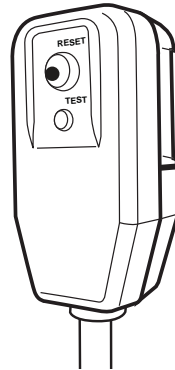
## Exigences électriques



Certains modèles exigent une prise électrique mise à la terre de 115/120 volts c.a., 60 Hz protégée par un fusible temporisé de 15 ampères ou un disjoncteur. La fiche à 3 broches avec mise à la terre réduit le risque de choc électrique. Si vous disposez seulement d'une prise murale à 2 trous, vous avez la responsabilité de la faire remplacer par une prise à 3 trous correctement mise à la terre.

## CAUTION

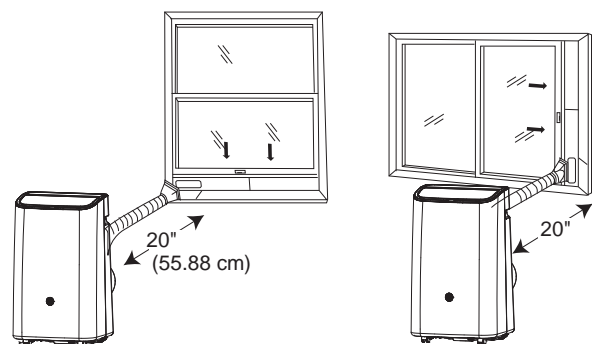
- Ne coupez pas ou n'enlevez pas, sous aucun prétexte, la troisième broche de mise à la terre du cordon d'alimentation.
- Ne changez pas la fiche du cordon d'alimentation du climatiseur.
- Un câblage en aluminium du domicile peut occasionner des problèmes particuliers—consultez un électricien qualifié.



Le cordon d'alimentation est doté d'un dispositif d'interruption du courant. Un bouton de test et un bouton de réenclenchement est fourni sur le boîtier de la fiche. Ce dispositif doit être testé régulièrement en pressant d'abord le bouton TEST suivi du bouton RESET tandis que la fiche est branchée dans la prise de courant. Si le bouton TEST ne se déclenche pas ou si le bouton RESET ne reste pas enclenché, cessez l'utilisation du climatiseur et appelez un technicien en réparation qualifié.

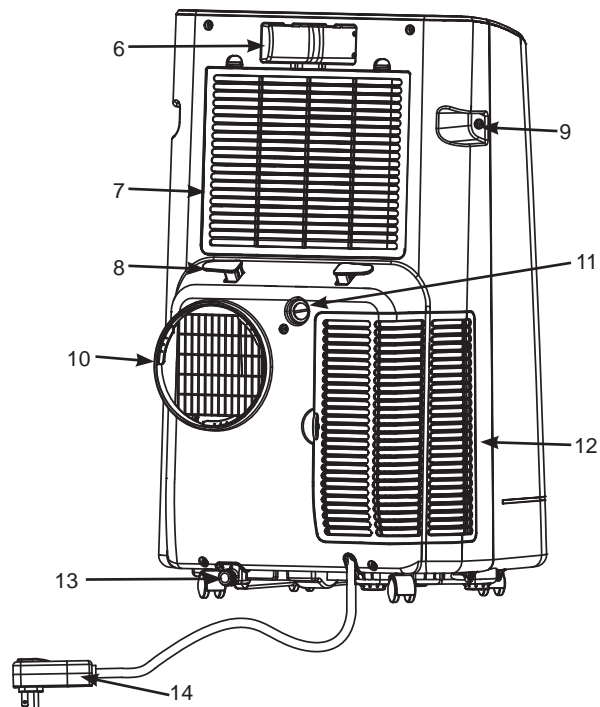
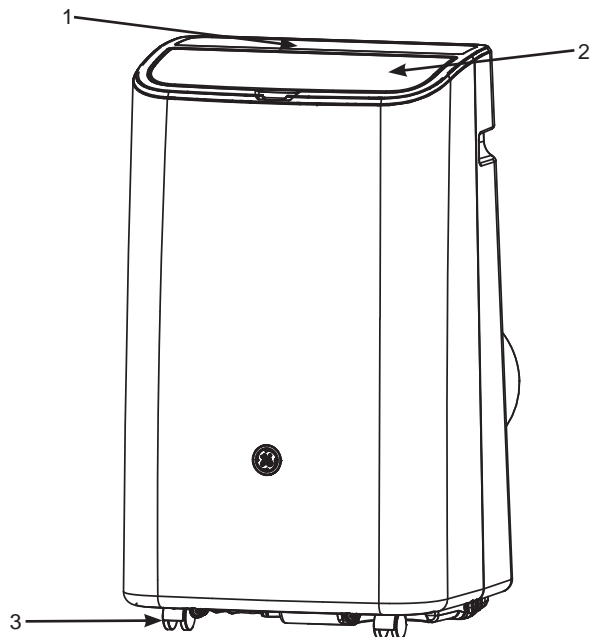
## Exigences relatives à l'emplacement

- Placez le climatiseur à un emplacement dont la surface est plate et de niveau et situé à 30 po (76,2 cm) minimum de tous les murs.
- REMARQUE :** Un dégagement minimum de 30 po (76,2 cm) entre le climatiseur et les murs doit être maintenu pour assurer une circulation d'air adéquate.
- Maintenez un dégagement minimum de 30 po (76,2 cm) autour du climatiseur pour ne pas bloquer la circulation d'air.
  - Gardez le climatiseur libre d'obstructions telles que tentures, rideaux, stores, etc.
  - Le tuyau d'évacuation doit être libre de toute obstruction.
  - Ne placez pas le climatiseur sur une surface instable ou surélevée car il pourrait se renverser et causer des dommages ou des blessures.
  - Ne placez pas le climatiseur sous les rayons directs du soleil ou près d'une source de chaleur telle que plinthe électrique, poêle, etc.
  - Le panneau de fenêtre peut être installé dans une fenêtre d'une ouverture minimale de 20 po (55,88 cm) et maximale de 46 po (121,92).

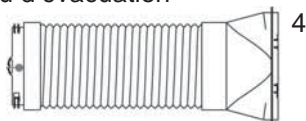


# INSTRUCTIONS D'INSTALLATION

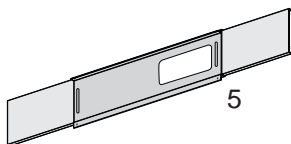
## PIÈCES INCLUES (L'aspect peut varier)



- 1. Panneau de commande
- 2. Évent à lames pivotantes
- 3. Roulettes
- 4. Tuyau d'évacuation



- 5. Plaque d'étanchéité pour fenêtre



- 6. Télécommande
- 7. Panneau de filtre
- 8. Crochet du cordon d'alimentation (2)
- 9. Poignée (2)
- 10. Évent d'air - Évacuation
- 11. Trou d'évacuation continue
- 12. Grille d'entrée d'air
- 13. Orifice d'évacuation
- 14. Cordon d'alimentation et fiche

# INSTRUCTIONS D'INSTALLATION

## 1. Déballez le climatiseur

### ⚠ AVERTISSEMENT

#### Risque lié au poids excessif

Utilisez deux personnes ou plus pour déplacer et installer le climatiseur.  
L'omission de procéder ainsi peut occasionner des blessures au dos ou ailleurs.

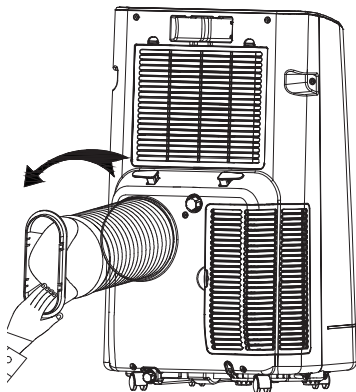
- Retirez le matériel d'emballage. Conservez la boîte et la mousse d'emballage pour entreposer le climatiseur lorsqu'il n'est pas utilisé.

**REMARQUE :** Il n'y a PAS de matériel d'emballage qu'il faut retirer à l'intérieur du climatiseur — N'ouvrez PAS la carrosserie.

- Jetez/Recyclez proprement tout le matériel d'emballage.
- Manipulez le climatiseur avec soin.
- Gardez le climatiseur debout et de niveau. Ne déposez pas le climatiseur sur ses côtés, le devant, l'arrière ou à l'envers.

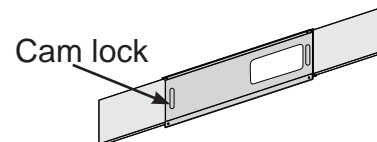
## 2. Installer le tuyau d'évacuation sur l'arrière du climatiseur

Installez le tuyau d'évacuation en le vissant dans l'orifice d'évacuation dans le sens contraire des aiguilles sur l'arrière du climatiseur.

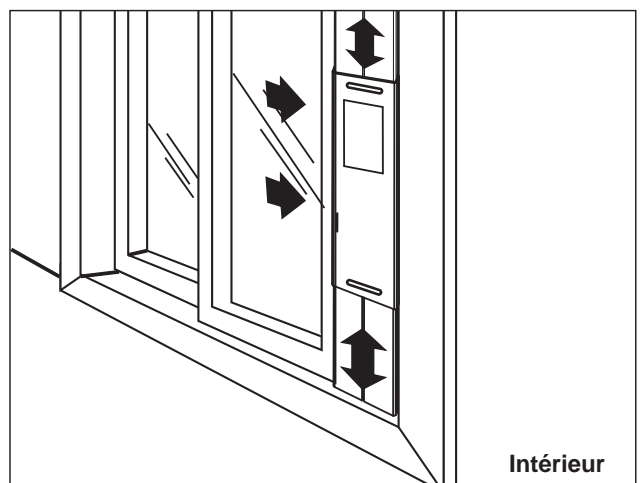
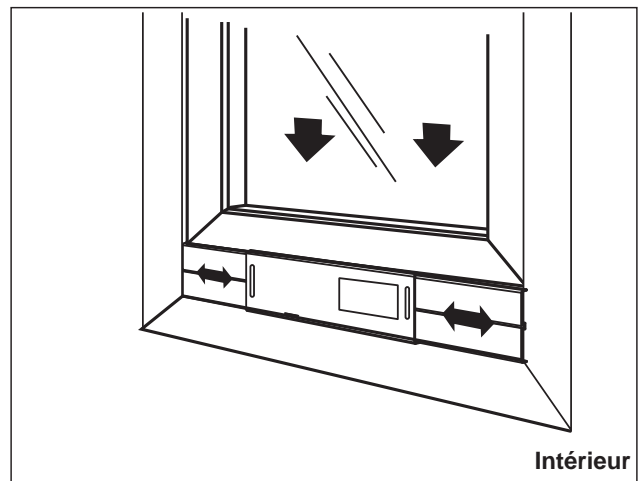


## 3. Installer les panneaux de fenêtre

- A. Mesurez l'ouverture de la fenêtre. Pour une ouverture de 20 po (55,88 cm), utilisez seulement le panneau central de la trousse de fenêtre avec l'ouverture pour l'adaptateur du tuyau d'évacuation. Pour les ouvertures de 20 à 33 po (55,88 à 83,8 cm), insérez un panneau latéral sur le panneau central, pour les ouvertures de 33 à 46 po (83,8 à 121,92 cm), insérez les deux panneaux latéraux.



- B. Placez la trousse de fenêtre dans l'ouverture de fenêtre (les verrous à came orientés vers vous) et glissez les panneaux latéraux (s'ils sont utilisés) vers l'extérieur pour remplir l'ouverture. Verrouillez les panneaux en place avec les verrous à came. Fermez la fenêtre contre la trousse de fenêtre.

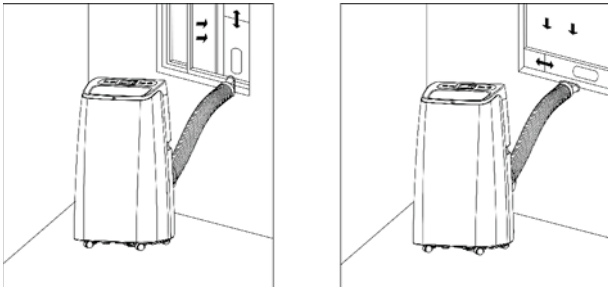


# INSTRUCTIONS D'INSTALLATION

## 4. Connecter le tuyaux d'évacuation sur le panneau de fenêtre

Placez le climatiseur près de la fenêtre en vous assurant d'un dégagement de 20 po (55,88 cm) minimum depuis le mur ou toute autre obstruction. Étendez le tuyau pour qu'il atteigne la trousse de fenêtre. Insérez l'adaptateur de tuyau d'évacuation dans l'orifice de la trousse de fenêtre et glissez-le en position de verrouillage. Le tuyau doit s'étendre en ligne droite jusqu'à la fenêtre sans extension excessive.

**Important :** Le climatiseur doit être ventilé à l'extérieur. N'utilisez pas un tuyau plus long, ou n'étendez pas excessivement le tuyau inclus avec le climatiseur, au risque de refroidissement inadéquat et de surchauffe.



## 5. Compléter l'installation

### ⚠ AVERTISSEMENT



#### Risque de décharge électrique

Brancher l'appareil dans une prise à 3 broches mise à la terre.

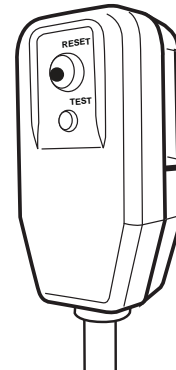
Ne retirez pas la broche de liaison à la terre du cordon d'alimentation.

N'utilisez pas un adaptateur.

N'utilisez pas un cordon de rallonge.

L'omission de prendre ces précautions peut causer un incendie, un choc électrique ou la mort.

1. Branchez le cordon d'alimentation dans une prise à 3 trous mise à la terre.
2. Pressez le bouton Reset (réinitialisation) de la fiche de sécurité pour vous assurer qu'elle fait passer le courant au climatiseur.
3. Allouez un dégagement de 20 po (55,88 cm) autour du climatiseur pour une circulation d'air adéquate.
4. Lorsque vous retirez le climatiseur, assurez-vous de retirer aussi la trousse de fenêtre.



# CONSEILS DE DÉPANNAGE

Problème	Causes probables	Solution
L'appareil ne démarre pas ou ne fonctionne pas	Le cordon d'alimentation n'est pas branché dans la prise	Branchez le cordon d'alimentation dans une prise à 3 trous mise à la terre.
	Le cordon d'alimentation s'est déclenché.	Pressez puis relâchez le bouton RESET du cordon d'alimentation.
	Le bouton Power (marche/arrêt) n'a pas été pressé.	Pressez le bouton Power sur le panneau de commande ou la télécommande pour mettre le climatiseur sous tension (ON).
	Il n'y a pas de courant à la prise électrique.	Branchez une lampe qui fonctionne dans la prise pour vérifier la présence de courant.
	Un fusible domestique est grillé ou un disjoncteur est déclenché.	Remplacez le fusible ou réenclenchez le disjoncteur.
	Un délai a été programmé avec la minuterie sur le panneau de commande.	Annulez le délai. Voyez la section Panneau de commande.
	Les piles de la télécommande sont épuisées.	Remplacez les piles.
La télécommande ne fonctionne pas	Le réservoir d'eau interne est plein. <b>REMARQUE</b> : Le climatiseur s'éteint automatiquement et l'indicateur de plein d'eau s'allume pour vous alerter de cette condition.	Videz le réservoir d'eau. Voyez la section Entretien du climatiseur.
	Les piles sont épuisées.	Remplacez les piles.
Le climatiseur fonctionne mais la pièce ne se refroidit pas.	Les piles ne sont pas installées correctement.	Assurez-vous que toutes les piles sont insérées dans la bonne position.
	La température de la pièce est très chaude. <b>REMARQUE</b> : Lors de jours très chauds et humides, le climatiseur peut mettre plus de temps à refroidir la pièce.	Allouez du temps pour le refroidissement lorsque vous allumez le climatiseur la première fois. Assurez-vous que la capacité (en BTU) du climatiseur est suffisante pour refroidir le volume de la pièce.
	Le panneau de commande n'est pas réglé correctement dans le mode Fan (ventilateur) ou Dry (déshumidification).	Réglez le mode à Cool (refroidissement) et la vitesse du ventilateur (Fan Speed) à High (haute).
	La circulation d'air est obstruée.	Retirez tous les obstacles et redirigez la circulation d'air pour obtenir un refroidissement uniforme.
	Le réglage de température est trop élevé.	Baissez le réglage de la température.
	Les filtres à air sont sales ou obstrués	Nettoyez le filtre à air. Voyez la section Entretien du climatiseur.
	Le climatiseur n'est pas installé correctement	Vérifiez que le tuyau d'évacuation et le panneau de fenêtre sont bien installés.
Des portes et/ou des fenêtres sont ouvertes.	Fermez les portes et les fenêtres de la pièce à refroidir pour empêcher l'air frais de s'échapper.	

## Codes d'erreur

Code	Signification
E1	Le capteur de température du tuyau est anormal
E2	Le capteur de température de la pièce est anormal
E4	Protection contre le gel
FL	Plein d'eau

# CONFIGURATION DU WI-FI (sur certains modèles)

## Fonction Wi-Fi Connect de GE Appliances (clients aux États-Unis)

GE Appliances U+ Connect Enabled\* Si votre climatiseur est doté d'une étiquette de renseignements sur la connexion d'électroménagers apposée sur l'extérieur comme illustré ci-dessous, alors votre climatiseur est compatible avec la connectivité U+ de GE Appliances. Une carte de communication Wi-Fi est intégrée dans votre produit, lui permettant de communiquer avec votre téléphone intelligent pour surveillance, contrôle et notification à distance. Veuillez visiter [GEAppliances.com/connect](http://GEAppliances.com/connect) pour en apprendre davantage sur les fonctions de connexion pour électroménagers et les applications compatibles avec votre téléphone intelligent. Pour de l'assistance, composez le 1-800-220-6899.



## Comment ça fonctionne

Téléchargez l'application GE Appliances



Utilisez l'application pour connecter votre climatiseur au Wi-Fi



Une fois connecté, utilisez l'application pour diminuer le réglage de température de votre climatiseur en quittant le travail.



## Pour commencer

Pour connecter votre climatiseur, vous aurez besoin de l'application de GE Appliances. L'application vous guidera le long de la procédure de connexion. Téléchargez l'application depuis iTunes ou Google Play



Toutes les données relatives à l'électroménager connecté sont traitées en stricte conformité avec la Politique de confidentialité des données connectées de GE Appliances. Visitez la page [geappliances.com/privacy/privacy\\_policy\\_connected](http://geappliances.com/privacy/privacy_policy_connected) pour lire cette politique.

### Questions concernant U+ Connect

Obtenez les réponses dont vous avez besoin en lisant nos articles consacrés à la configuration des électroménagers Wi-Fi et la connexion à votre réseau domestique.

Visitez [products.geappliances.com/appliance/gea-support-search-content](http://products.geappliances.com/appliance/gea-support-search-content) pour lire les articles associés à la connexion Wi-Fi de votre climatiseur.

## RENSEIGNEMENTS RÉGLEMENTAIRES

### Déclaration de conformité de la FCC/IC :

Cet appareil est conforme aux prescriptions de la partie 15 des règles de la FCC. Le fonctionnement de cet équipement est assujéti aux deux conditions suivantes :

1. Cet appareil ne doit pas causer de brouillage préjudiciable.
2. Cet appareil doit accepter tout brouillage qu'il reçoit, y compris celui pouvant entraîner un fonctionnement indésirable.

Cet équipement a été testé et déclaré conforme aux limites imposées pour un appareil numérique de Classe B, conformément à la partie 15 de la réglementation FCC. Ces limites sont conçues pour assurer une protection raisonnable contre le brouillage nuisible dans une installation résidentielle. Cet équipement génère, utilise et émet des fréquences radio qui, en cas d'une installation erronée ou d'une utilisation non-conforme aux instructions de ce manuel d'utilisation peuvent causer un brouillage nuisible aux communications radio. Il n'y a cependant aucune garantie qu'un brouillage nuisible ne surviendra pas dans une installation donnée. Si cet équipement cause un brouillage nuisible sur votre poste radio ou de télévision, ce que vous pouvez déterminer en éteignant et en rallumant votre équipement, il est conseillé à l'utilisateur d'essayer de pallier ce brouillage nuisible en prenant l'une ou l'autre des mesures suivantes :

- Réorienter ou repositionner l'antenne de réception.
- Augmenter la distance entre l'équipement et le récepteur.
- Brancher l'équipement dans une prise d'un circuit qui diffère de celui auquel le récepteur est branché.
- Consulter le revendeur ou un technicien en radio-télévision expérimenté pour obtenir de l'aide.

Étiquetage : Les modifications non explicitement approuvées par le fabricant peuvent annuler le droit de l'utilisateur de se servir de cet équipement.

### \*Modèles sélectionnés seulement

Ce produit est doté d'une compatibilité Wi-Fi et nécessite une connexion Internet et un routeur sans fil pour permettre l'interconnexion avec un système de gestion d'énergie et/ou d'autres périphériques, systèmes or applications extérieurs. L'utilisation du logo Works with Apple HomeKit™ signifie qu'un accessoire électronique a été conçu pour se connecter spécifiquement à iPod touch®, iPhone® ou iPad®, respectivement, et que son développeur a certifié qu'il satisfait les normes de performance Apple®. Apple n'est pas responsable de l'utilisation de cet accessoire ou de sa conformité avec les normes de sécurité et réglementaires.

# GARANTIE LIMITÉE

Pendant la période de garantie de :	Les appareils Haier remplaceront :
Un an À partir de la date de l'achat initial	Remplacement, réparation ou remboursement du prix de détail d'origine pour tout produit qui échoue en raison d'un défaut de matériaux ou de fabrication. Si l'unité est échangée, l'unité de remplacement est garantie pour le reste de la période de garantie initiale d'un an de votre produit. Haier Appliances, à sa seule discrétion, remplacera le produit par un produit de fonctionnalité et de qualité identiques ou comparables ou remboursera le prix de détail d'origine.

## Afin de faire une réclamation au titre de la garantie au cours des 90 premiers jours à compter de la date d'achat d'origine :

- Emballez correctement votre appareil. Nous vous recommandons d'utiliser le carton et les matériaux d'emballage d'origine.
- Renvoyez le produit au magasin où il a été acheté.
- Inclure dans l'emballage une copie du reçu de vente ou toute autre preuve de la date de l'achat original. Imprimez également votre nom et votre adresse ainsi qu'une description du défaut

## Afin de faire une réclamation au titre de la garantie pendant le reste de la garantie d'un an :

- Localisez votre reçu de vente original et notez votre modèle et votre numéro de série.
- Visitez haierappliances.com pour lancer le processus de remplacement du produit.
- Il vous sera demandé de fournir votre nom, adresse, date d'achat, modèle et numéro de série.
- Haier Appliances organisera l'envoi d'un carton à votre domicile pour récupérer le produit.
- Veuillez retourner tout le matériel demandé (port prépayé) dans le carton fourni. Veuillez inclure une description du défaut.
- Vous devriez recevoir votre produit de remplacement ou un remboursement dans les 7 à 10 jours ouvrables suivant la réception de votre colis

## Ce qui ne couvrira pas :

- Toute visite à votre domicile pour vous expliquer le fonctionnement de l'appareil.
- Une installation, une livraison ou un entretien inadéquats. Pour tout problème d'installation, ou si le climatiseur n'assure pas une climatisation adéquate, communiquez avec votre détaillant ou votre installateur. Vous avez la responsabilité de fournir les installations appropriées pour les raccordements électriques.
- Une défectuosité attribuable à une modification du produit, une utilisation déraisonnable ou un entretien inadéquat ou négligent.
- Dans les établissements commerciaux, la main-d'œuvre nécessaire pour amener l'appareil à un endroit où il pourra être accessible aux fins de réparation par un technicien.
- Le remplacement des fusibles ou le réenclenchement des disjoncteurs.
- Une défectuosité attribuable à la corrosion sur les modèles qui ne sont pas protégés contre la corrosion.
- Les dommages au produit attribuables à une alimentation électrique inadéquate, un accident, un incendie, une inondation ou un cas de force majeure.
- Tout dommage direct ou indirect à la propriété causé par une éventuelle défectuosité de ce climatiseur.
- Les dommages survenus après la livraison.

**EXCLUSION DE GARANTIES IMPLICITES - Votre seul et unique recours consiste dans la réparation du produit selon les dispositions de cette Garantie limitée. Toutes les garanties implicites, incluant les garanties de qualité marchande et de convenance, sont limitées à deux ans ou à la période la plus courte autorisée par la loi.**

Cette garantie limitée est offerte à l'acheteur initial et à tout propriétaire subséquent d'un produit acheté en vue d'une utilisation aux États-Unis et au Canada. Si le produit est installé dans une région non desservie par un réparateur autorisé GE Appliances, vous pourriez être tenu d'assumer des frais de déplacement ou d'apporter le produit à un centre de réparation autorisé GE Appliances. En Alaska, la garantie limitée ne couvre pas les frais d'expédition et les appels de service à votre domicile.

Dans certains États ou provinces, il est interdit d'exclure ou de limiter les dommages directs ou indirects. La présente garantie limitée vous confère des droits juridiques spécifiques. Vous pouvez bénéficier d'autres droits qui varient d'une province ou d'un État à l'autre. Pour connaître les droits dont vous bénéficiez dans votre région, communiquez avec des relations avec les consommateurs de votre région ou encore le Procureur général de votre État.

**Garant : GE Appliances, a Haier company**  
Louisville, KY 40225

# ÍNDICE

INFORMACIÓN IMPORTANTE DE SEGURIDAD .....	19
PANEL DE CONTROL .....	20
CUIDADO Y LIMPIEZA .....	22
INSTRUCCIONES DE INSTALACIÓN .....	25
SOLUCIÓN DE PROBLEMAS .....	29
CONFIGURACIÓN WIFI .....	30
GARANTÍA LIMITADA .....	31

## INFORMACIÓN A TENER EN CUENTA

Le agradecemos la compra de este producto de marca Haier. Este manual del usuario lo ayudará a obtener el mejor rendimiento de su nuevo acondicionadores de aire.

Para referencia futura, registre el modelo y número de serie ubicados en el frente, detrás del cajón de almacenamiento de la cocina, y la fecha de compra.

Engrape la prueba de compra a este manual para asistirle cuando necesite obtener servicio bajo la garantía.

---

Número de modelo

---

Número de serie

---

Fecha de compra

## SITIO WEB DE HAIER

¿Desea realizar una consulta o necesita ayuda con su electrodoméstico? ¡Intente a través del Sitio Web de Haier las 24 horas del día, cualquier día del año! Usted también puede comprar más electrodomésticos maravillosos de Haier y aprovechar todos nuestros servicios de soporte a través de Internet, diseñados para su conveniencia. En EE.UU.: [Haierappliances.com](http://Haierappliances.com)

# INFORMACIÓN IMPORTANTE DE SEGURIDAD

## INSTRUCCIONES IMPORTANTES DE SEGURIDAD

### ⚠️ ADVERTENCIA

Para reducir el riesgo de incendio, choque eléctrico, lesiones a personas o daños al utilizar el acondicionador de aire, siga precauciones básicas, incluyendo las siguientes:

- Lea todas las instrucciones antes de usar este electrodoméstico.
- Conecte a un contacto de pared de conexión a tierra de 3 terminales.
- No quite el terminal de conexión a tierra.
- No use un adaptador.
- No use un cable eléctrico de extensión.
- No ponga a funcionar el acondicionador de aire si tiene un cable o enchufe dañado, si no funciona correctamente o si se ha dañado o caído.
- El acondicionador de aire solo debe ser reparado por personal de servicio competente. Llame a la compañía de servicio técnico autorizada para su inspección, reparación o ajuste.
- Desconecte el suministro de energía antes de darle servicio técnico.
- Desconecte el suministro de energía antes de limpiarlo.

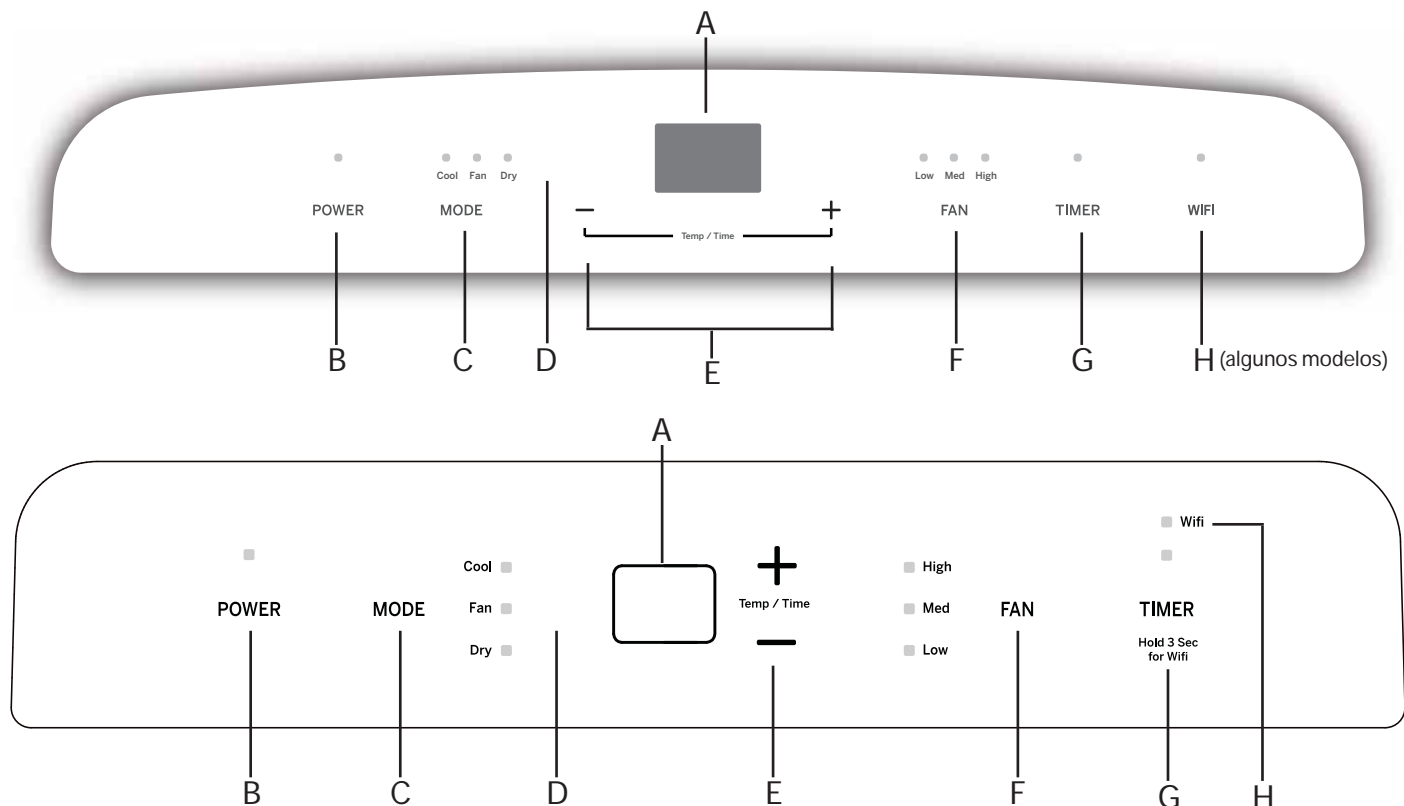
**NOTA:** Si apaga la unidad presionando el botón Power (Encendido), esto NO desconecta el electrodoméstico del suministro de energía.

- No instale ni utilice el acondicionador de aire en áreas donde la atmósfera contenga gases combustibles o donde la atmósfera esté contaminada. Evite que cualquier producto químico entre en contacto con el acondicionador de aire.
- No almacene nada directamente encima del acondicionador de aire.
- Con la ayuda de dos o más personas, mueva e instale el acondicionador de aire.
- Nunca haga funcionar el acondicionador de aire si los filtros de aire no están colocados en su lugar.
- No utilice el acondicionado de aire cerca de una tina, ducha o lavabo ni otra zona húmeda.

**LEA Y GUARDE ESTAS INSTRUCCIONES**

# CONTROLES

Las luces al lado de las teclas de toque en el panel de control del acondicionador de aire indicarán los ajustes seleccionados. Las funciones y el aspecto pueden variar.



## Controles

### A. PANTALLA DEL PANEL DE CONTROL

Muestra la temperatura fijada en grados Fahrenheit o grados centígrados, o las horas restantes de un tiempo diferido. La luz indicadora correspondiente se encenderá.

### B. BOTÓN POWER (ENCENDIDO)

ENCIENDE/APAGA el acondicionador de aire.

**NOTA:** Si apaga la unidad presionando el botón Power (Encendido), esto NO desconecta el electrodoméstico del suministro de energía.

- Presione el botón Power (Encendido). La luz indicadora de Power (Encendido) se iluminará.

### C. BOTÓN MODE (MODO)

Presione el botón Mode (Modo) para alternar entre las opciones de operación. El indicador correspondiente se iluminará:

Heat (Calor) (en algunos modelos) - Calienta la habitación a la temperatura establecida

Cool (Enfriamiento): enfría la habitación a la temperatura jada

ECO (Ahorro de Energía) - Hace que el ventilador realice ciclos para refrigerar de forma económica.

Dehum (Deshumidificar): reduce la humedad en la habitación

Fan (Ventilador): hace circular el aire de la habitación sin enfriar

### D. VENTANA DE SEÑAL DEL CONTROL REMOTO

Dirija el control remoto hacia esta ventana para que el control reciba la señal.

### E. BOTONES CON FLECHAS HACIA ARRIBA Y HACIA ABAJO

Ajustan la temperatura o las horas del tiempo diferido. Paraajar la temperatura:

La temperatura puede fijarse entre 62 °F y 86 °F (17 °C y 30 °C) cuando el acondicionador de aire está en modo Cool (Enfriamiento).

1. Presione el botón Mode (Modo) hasta que se seleccione el modo Cool (Enfriamiento).
2. Presione los botones con las flechas hacia arriba o hacia abajo para seleccionar la temperatura.

**NOTA:** La temperatura no se puede fijar si el acondicionador de aire está en el modo Fan (Ventilador) o Dehum (Deshumidificar).

**NOTA:** Los botones con las flechas hacia arriba y hacia abajo, cuando se los presiona al mismo tiempo, le permiten seleccionar entre mostrar la temperatura en °C o °F. El indicador correspondiente se iluminará.

### F. BOTÓN FAN SPEED (VELOCIDAD DEL VENTILADOR)

La velocidad del ventilador se puede regular desde velocidad Low (Baja) a High (Alta) cuando el acondicionador de aire está en funcionamiento.

**NOTA:** La velocidad del ventilador no se puede regular cuando la unidad está en modo Dehum (Deshumidificar).

- Presione el botón Fan Speed (Velocidad del ventilador) para alternar entre las dos velocidades. El indicador de velocidad del ventilador correspondiente se iluminará.

### G. BOTÓN TIMER (TEMPORIZADOR)

Programa un tiempo desde (1 hora a 24 horas) para que el acondicionador de aire se apague o se encienda. Cuando se programa un tiempo diferido, la luz indicadora de Timer (Temporizador) se iluminará.

**Mientras el acondicionador de aire está funcionando:**

1. Presione el botón Timer (Temporizador).
2. Presione los botones con flecha hacia arriba/abajo para seleccionar el número de horas que desea que el acondicionador de aire continúe funcionando antes de apagarse.

**NOTA:** Espere unos 5 segundos para que se guarde la hora en que se apagará.

Mientras el acondicionador de aire está apagado:

1. Presione el botón Timer (Temporizador).
2. Presione los botones con flecha hacia arriba/abajo para seleccionar el número de horas que desea que el acondicionador de aire permanezca apagado antes de encenderse.

**NOTA:** Espere unos 5 segundos para que se guarde la hora en que se encenderá.

Para cancelar el temporizador:

- Presione el botón Timer (Temporizador) una vez, las horas restantes destellarán, presione el botón Timer (Temporizador) de nuevo y el temporizador se cancelará.

### H. Tecla de WiFi Connect (en algunos modelos)

1. Conecte su acondicionador de aire al enrutador WiFi.
2. Mantenga presionado el botón del temporizador por 3 segundos para conectar o desconectar la aplicación.

**Para más información, consulte la sección de "Configuración del WiFi".**

# CONTROLES

La pantalla siempre mostrará la temperatura del ambiente por omisión.

Cuando el acondicionador de aire sea encendido, se iniciará de forma automática en las configuraciones de modo y ventilación que fueron usadas por última vez.

## Modo de Refrigeración

Use el modo COOL (Refrigeración) para enfriar.

Para configurar el modo COOL (Refrigeración):

1. Presione la tecla MODE (Modo) hasta que la luz indicadora de COOL (Refrigeración) esté encendida.
2. Presione la tecla FAN (Ventilador) para configurar la velocidad del ventilador en HIGH (Alto) o LOW (Bajo).
3. Presione + o – para configurar la temperatura deseada entre 61°F y 89°F por incrementos de 1°F.

Una vez aplicadas las configuraciones, la pantalla volverá a mostrar la temperatura ambiente.

El control de temperatura se usa para mantener la temperatura del ambiente. El compresor realizará el ciclo de encendido y apagado para mantener la sala en el nivel de confort configurado. Configure el control de temperatura en un número más bajo, y el aire interior comenzará a ser más frío. Configure el control de temperatura en un número más alto, y el aire interior comenzará a ser más caliente.

**NOTA:** Si el acondicionador de aire está apagado y luego es encendido en la configuración COOL (Refrigeración), pasarán aproximadamente 3 minutos hasta que el compresor se inicie y comience la refrigeración.

### Descripciones de Refrigeración

**Para un Enfriamiento Normal**—Seleccione el modo COOL (Refrigeración) y la velocidad del ventilador en HIGH (Alto) o MEDIUM (Medio) con una temperatura en la configuración intermedia.

**Para un Enfriamiento Máximo**—Seleccione el modo COOL (Refrigeración) y la velocidad del ventilador en HIGH (Alto) con una temperatura en una configuración baja.

**Para un Enfriamiento Más Suave y Nocturno**—Seleccione el modo COOL (Refrigeración) y la velocidad del ventilador en LOW (Bajo) con una temperatura en la configuración intermedia.

**NOTA:** Si pasa de la configuración del modo COOL (Refrigeración) o DRY (Seco) a OFF (Apagado), espere 3 minutos antes de realizar el reinicio.

## Modo DRY (Seco) - Deshumidificación

Use el modo DRY (Seco) sólo para aplicar la deshumidificación. El ventilador funcionará en una velocidad fija en esta configuración, de modo que no será posible configurar la velocidad de la ventilación. Mantenga las ventanas y puertas cerradas para lograr los mejores efectos de deshumidificación.

**Para configurar el modo DRY (Seco):**

• Presione la tecla MODE (Modo) hasta que la luz indicadora de DRY (Seco) esté encendida

En el modo DRY (Seco), no se mostrará una temperatura configurada. Una vez configurado el modo DRY (Seco), la pantalla volverá a mostrar la temperatura ambiente.

**NOTA:** Si pasa de una configuración de DRY (Seco) a OFF (Apagado) o a una configuración del ventilador, espere por los menos 3 minutos antes de

volver a pasar a una configuración de DRY (Seco).

Si usará la unidad en el modo DRY (Seco) como deshumidificador durante un período de tiempo prolongado:

1. Desenchufe el cable de corriente.
2. Conecte una manguera de drenaje (no incluida) al puerto de drenaje central (consulte la página 9, drenaje superior n° 8) y una manguera principal al drenaje del piso.
3. Vuelva a conectar el cable de corriente y presione la tecla MODE (Modo) hasta que la luz indicadora de DRY (Seco) esté encendida.

## Modo de Ventilación

Use el modo FAN (Ventilación) para brindar circulación de aire y filtrar sin refrigerar.

**Para configurar el modo FAN (Ventilación):**

• Presione la tecla FAN (Ventilación) hasta que la luz indicadora deseada de velocidad en HIGH (Alto), MEDIUM (Medio), o LOW (Bajo) esté encendida.

Debido a que las configuraciones de sólo ventilador no brindan refrigeración,

no será exhibida una temperatura configurada. Una vez configurada la velocidad de FAN (Ventilación), la pantalla volverá a mostrar la temperatura ambiente.

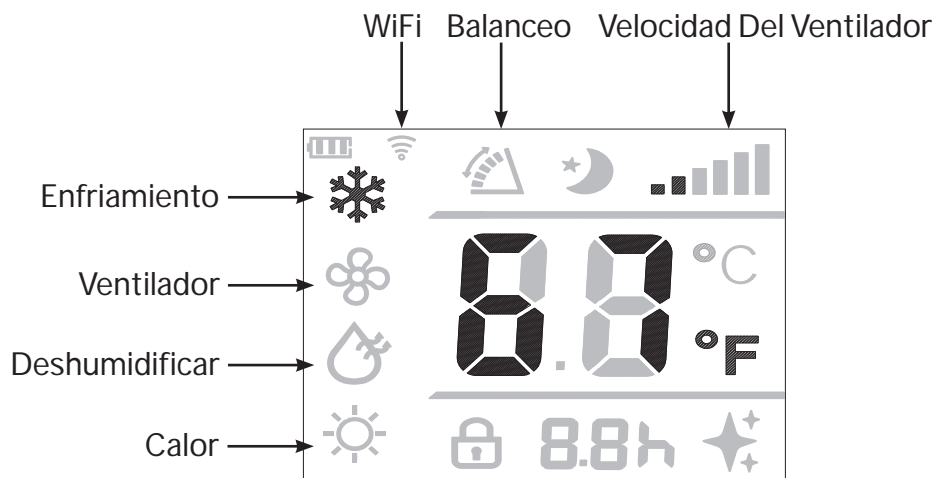
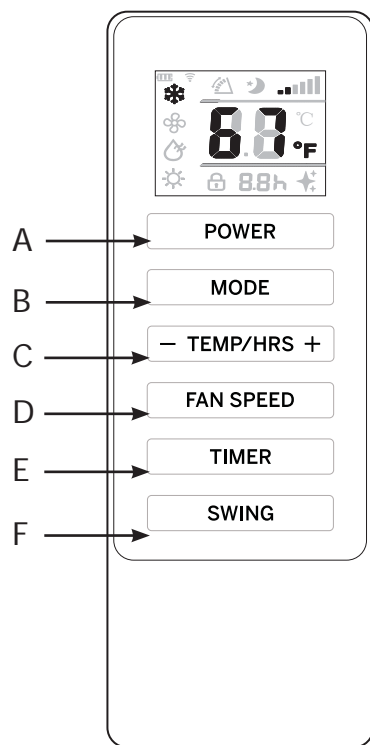
## Función de Recuperación por Corte de Suministro

En caso de corte de suministro o interrupción, la unidad se reiniciará de forma automática en las configuraciones usadas por última vez una vez restablecido el servicio.

**NOTA:** Si TIMER (Temporizador) fue configurado antes del corte de corriente, será necesario reiniciar el mismo una vez restablecido el servicio.

# CONTROLES

Las luces al lado de las teclas de toque en el panel de control del acondicionador de aire indicarán los ajustes seleccionados. Las funciones y el aspecto pueden variar.



## CONTROL REMOTO

1. Inserte las dos baterías (incluidas).
2. Apunte el control remoto al receptor de señal en el panel de control para operar el aire acondicionado.

### A. Botón Power (Encendido)

ENCIENDE/APAGA el acondicionador de aire.

**NOTA:** Si apaga la unidad presionando el botón Power (Encendido), esto NO desconecta el electrodoméstico del suministro de energía.

- Presione el botón Power (Encendido). La luz indicadora de Power (Encendido) se iluminará.

### B. Botón Mode (Modo)

Presione el botón Mode (Modo) para alternar entre las opciones de operación. El indicador correspondiente se iluminará:

- Heat (Calor) (en algunos modelos) - Calienta la habitación a la temperatura establecida
- Cool (Enfriamiento): enfría la habitación a la temperatura jada
- DRY (Deshumidificar): reduce la humedad en la habitación
- Fan (Ventilador): hace circular el aire de la habitación sin enfriar.

### C. Botones Con Flechas Hacia Arriba Y Hacia Abajo

Ajustan la temperatura o las horas del tiempo diferido.

#### Para jar la temperatura:

La temperatura puede fijarse entre 62 °F y 86 °F (17 °C y 30 °C) cuando el acondicionador de aire está en modo Cool (Enfriamiento).

1. Presione el botón Mode (Modo) hasta que se seleccione el modo Cool (Enfriamiento).

2. Presione los botones con las flechas hacia arriba o hacia abajo para seleccionar la temperatura.

**NOTA:** La temperatura no se puede fijar si el acondicionador de aire está en el modo Fan (Ventilador) o DRY (Deshumidificar).

**NOTA:** Los botones con las flechas hacia arriba y hacia abajo, cuando se los presiona al mismo tiempo, le permiten seleccionar entre mostrar la temperatura en °C o °F. El indicador correspondiente se iluminará.

### D. Botón Fan Speed (Velocidad Del Ventilador)

La velocidad del ventilador se puede regular desde velocidad Low (Baja) a High (Alta) cuando el acondicionador de aire está en funcionamiento.

**NOTA:** La velocidad del ventilador no se puede regular cuando la unidad está en modo DRY (Deshumidificar).

- Presione el botón Fan Speed (Velocidad del ventilador) para alternar entre las dos velocidades. El indicador de velocidad del ventilador correspondiente se iluminará.

### E. Timer

Programa un tiempo desde (1 hora a 24 horas) para que el acondicionador de aire se apague o se encienda. Cuando se programa un tiempo diferido, la luz indicadora de Timer (Temporizador) se iluminará.

### F. Botón de Balanceo

Las celosías de su acondicionador portátil se abrirán de forma automática (no las abra con fuerza ni haga presión para cerrarlas). Use el Botón de Balanceo de su control remoto para ajustar las celosías en la posición que desee que se encuentren; o para un funcionamiento en el modo Swing (Balanceo), las celosías continuarán el movimiento hacia arriba y abajo.

# CUIDADO Y LIMPIEZA

## LIMPIEZA

### ⚠ ADVERTENCIA



#### Riesgo de descarga eléctrica

Desconecte la fuente de alimentación antes de limpiar.  
El incumplimiento de estas instrucciones puede provocar la muerte o una descarga eléctrica.

1. Desenchufe o desconecte el suministro de energía.
2. Útil solamente un paño dulce humedecido con agua para limpiar el gabinete.

#### NOTA:

- No use un limpiador líquido o con rociador para limpiar el acondicionador de aire.
  - No usar productos químicos, abrasivos, amoníaco, blanqueador con cloro, detergentes concentrados, solventes o estropajos de metal. Algunos de estos artículos / productos químicos pueden dañar y / o decolorar su acondicionador de aire.
3. Ve bien con un paño dulce.
  4. Enchufe o vuelva a conectar el suministro de energía.

## FILTROS DE AIRE

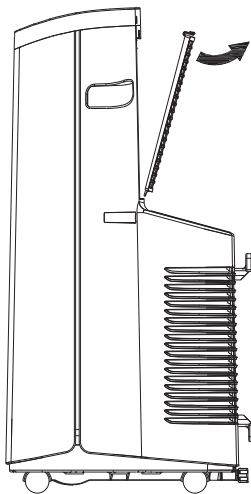
Los filtros de aire deben limpiarse al menos una vez a la semana para garantizar que la unidad funcione con una eficiencia óptima.

### ⚠ PRECAUCIÓN

No opere el acondicionador de aire si los filtros de aire no están en su lugar.

Para eliminar:

1. Desenchufe o desconecte el suministro de energía.
2. Jale de las lengüetas para deslizar los filtros de la parte posterior del acondicionador de zona.



**NOTA:** Los filtros secundarios están disponibles una vez que se muestran los filtros principales.

3. Lava o chupa el polvo de los filtros de aire.

**NOTA:** Si se lava, agite el filtro para eliminar el exceso de partículas de polvo atrapadas en el filtro.

4. Vuelva a instalar los filtros.
5. Enchufe o vuelva a conectar el suministro de energía.

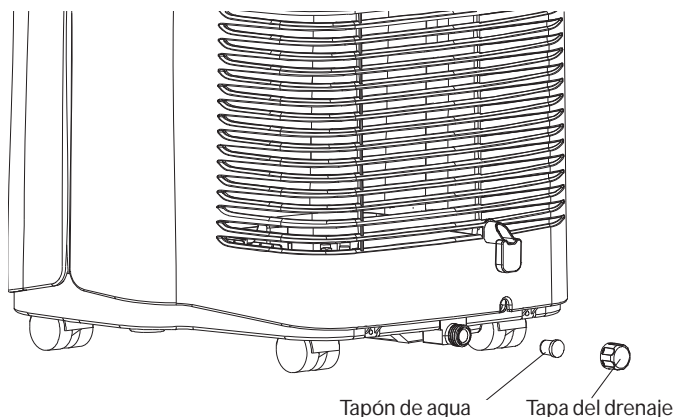
# CUIDADO Y LIMPIEZA

## TANQUE DE AGUA INTERIOR

El indicador de agua llena se ilumina cuando el tanque de agua interno está lleno de agua de condensación.

Vaciar el depósito de agua interno:

1. Desconecte o desconecte la fuente de alimentación eléctrica.
2. Coloque un recipiente hueco con una capacidad mínima de 1 cuarto (no incluido) debajo de la piscina de drenaje inferior en la parte posterior del acondicionador de aire (cerca de la parte inferior).
3. Retire la tapa y el tapón de goma y drene el tanque de agua.
4. Vuelva a instalar el tapón de drenaje y apriete firmemente la tapa.
5. Conecte el dispositivo o vuelva a conectar la fuente de alimentación.



## RANGEMENT

Durante largos periodos de infantilización del dispositivo:

1. Desconecte o desconecte la fuente de alimentación eléctrica.
2. Drene el agua del tanque de agua. Consulte Mantenimiento de la acondicionador de aire.

3. Coloque la unidad en su embalaje original para evitar la acumulación de polvo o suciedad.
4. Guarde el aire acondicionado en un lugar fresco y seco.

## CÓMO INSERTAR LAS PILAS EN EL CONTROL REMOTO

1. Retire la cubierta de la pila deslizándola de acuerdo con la dirección de la flecha.
2. Inserte pilas nuevas cerciorándose de que los polos positivos (+) y negativos (-) están orientados correctamente.
3. Coloque la cubierta otra vez deslizándola en su lugar.

### NOTAS:

- Use 2 pilas alcalinas "AAA" de 1,5 voltios. No use pilas recargables.
- Retire las pilas del control remoto si no va a usar el sistema por un periodo prolongado.
- No mezcle baterías nuevas y viejas. No mezcle baterías alcalinas, estándar (carbono-cinc) o recargables (ni-cad, ni-mh, etc).

# INSTRUCCIONES DE INSTALACIÓN

¿Preguntas? Visite nuestro Sitio Web en: [haierappliances.com](http://haierappliances.com)

## ANTES DE INICIAR

Lea estas instrucciones completa y cuidadosamente.

- **IMPORTANTE** — Guarde estas instrucciones para uso del inspector local.
- **IMPORTANTE** — Observe todos los códigos y órdenes de ley.
- **Nota al instalador** – Asegúrese de dejar estas instrucciones con el consumidor.
- **Nota al consumidor** – Conserve estas instrucciones para referencia futura.
- **Nivel de destreza** – La instalación de este aparato requiere de destrezas mecánicas básicas.
- **Tiempo de ejecución** – Aprox. 1 hora
- Recomendamos dos personas para la instalación de este producto.
- La instalación apropiada es la responsabilidad del instalador.
- La falla del producto debido a una instalación inadecuada no está cubierta por la garantía.
- Cuando instale este acondicionador de aire, DEBE usar todas las piezas suministradas y usar procedimientos adecuados de instalación.

## REQUISITOS ELÉCTRICOS



Algunos modelos requieren tomacorrientes de 115/120 voltios de corriente alterna y 60 Hz conectados a tierra, protegidos con un fusible de dilatación de tiempo de 15 amperios o un cortacircuitos.

El enchufe de tres púas con conexión a tierra minimiza la posibilidad de descargas eléctricas. Si el tomacorriente de la pared que usted planea usar solamente tiene 2 tomas, es su responsabilidad hacer que un técnico lo reemplace por uno de tres tomas con conexión a tierra.

## ⚠ PRECAUCIÓN

Bajo ninguna circunstancia corte o remueva la tercera púa (conexión a tierra) del cable eléctrico.

No cambie el enchufe en el cable eléctrico de este acondicionador de aire.

Los cables caseros de aluminio podrían presentar problemas especiales. Consulte a un técnico electricista calificado. Urnit,

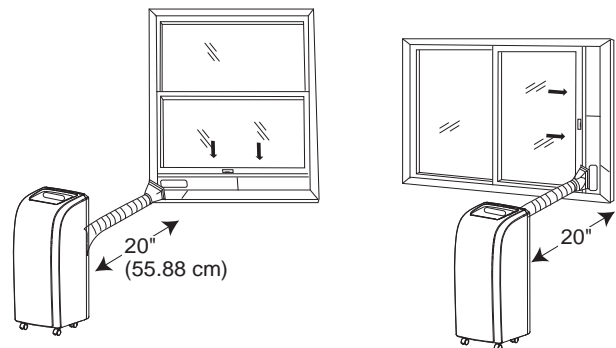
El cable de alimentación incluye un dispositivo para interrupción de corriente. Se incluye un botón de prueba y de reinicio en el dispositivo. El dispositivo debe ponerse a prueba periódicamente: primero se presiona el botón de TEST (prueba) y luego RESET (reinicio) mientras se encuentra enchufado al tomacorriente. Si el botón TEST no se dispara o si el botón RESET no queda enganchado, deje de utilizar el acondicionador de aire y comuníquese con un técnico calificado.

## REQUISITOS DE UBICACIÓN

- Coloque el acondicionador de aire sobre una superficie plana y nivelada en una ubicación que esté al menos a 20" (51 cm) de la pared.

**NOTA:** La distancia recomendada de la ventana para un rendimiento óptimo es de 30" (76 cm).

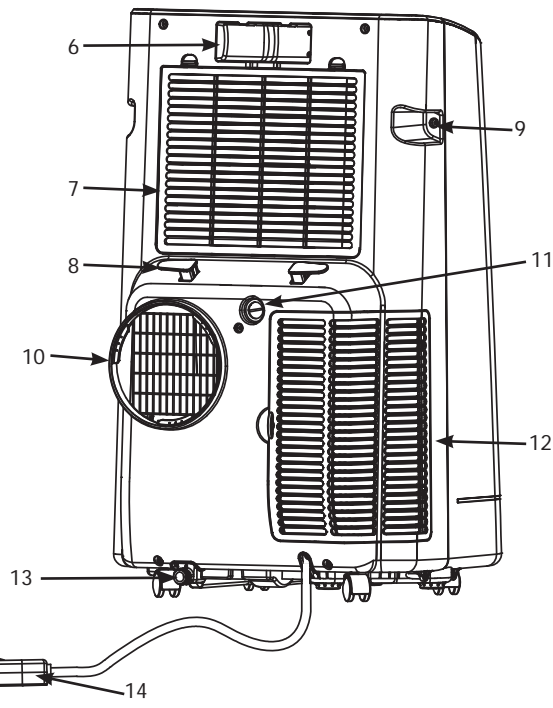
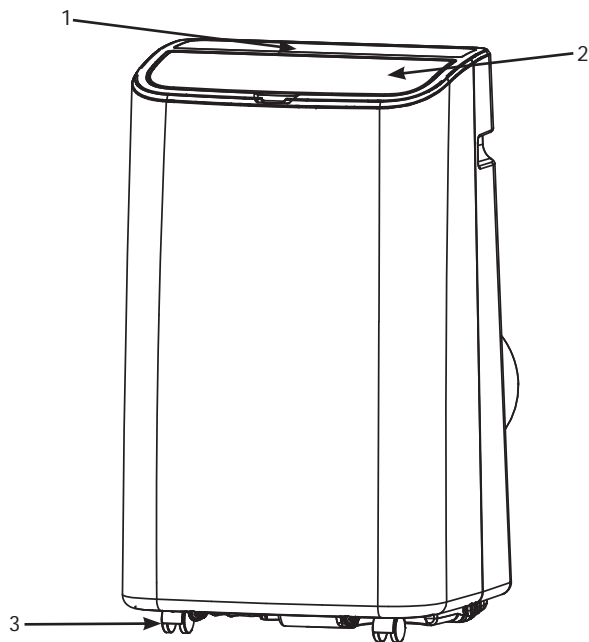
- Mantenga un espacio libre mínimo de 20" (51 cm) alrededor del acondicionador de aire para no bloquear el flujo de aire.
- Mantenga el acondicionador de aire libre de obstrucciones como cortinas con pliegues, cortinas, persianas, etc.
- La manguera de escape debe estar libre de cualquier obstrucción.
- No coloque el acondicionador de aire en una superficie inestable o elevada, ya que podría caerse y provocar daños o lesiones.
- No exponga el acondicionador de aire a la luz directa del sol o cerca una fuente de calor como zócalos radiantes, estufas, etc.
- El panel de la ventana puede instalarse en una ventana con una abertura mínima de 22" (55.88 cm) hasta un máximo de 48" (121.92 cm).



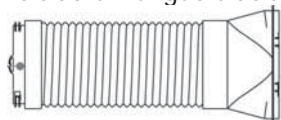
# INSTRUCCIONES DE INSTALACIÓN

## PARTES INCLUIDAS

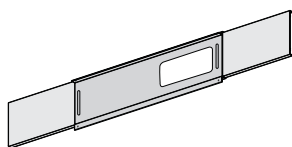
(Apariencia puede variar)



1. Panel de Control
2. Celosías del Balanceo de Aire
3. Ventilación de aire a través de las paletas de balanceo
4. Ensamble de la manguera de salida



5. Ensamble de la Placa de Apoyo en Ventanas



6. Control Remoto
7. Panel del Filtro
8. Gancho del Cable de Corriente (2)
9. Manija (2)
10. Ventilación de Aire - salida
11. Agujero de Desagüe Continuo
12. Rejilla de Entrada de Aire
13. Agujero de drenaje
14. Cable y enchufe de corriente

# INSTRUCCIONES DE INSTALACIÓN

## 1. DESEMBALE EL ACONDICIONADOR DE AIRE

### ⚠ ADVERTENCIA

#### Riesgo de Peso Excesivo

Cuente con la ayuda de dos o más personas para trasladar e instalar el acondicionador de aire. Si esto no se cumple se podrán producir lesiones en la espalda u otras heridas.

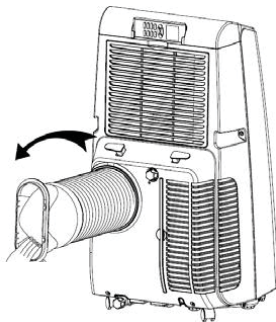
- Retire los materiales del embalaje. Conserve el cartón y el embalaje de gomaespuma para guardar el acondicionador de aire cuando no se encuentre en uso.

**NOTA:** NO hay materiales de embalaje dentro del acondicionador de aire que sean necesarios retirar - No abra el gabinete.

- Descarte de forma adecuada/ recicle todos los materiales de embalaje.
- Manipule el acondicionador de aire de forma suave.
- Mantenga el acondicionador de aire erguido y nivelado. No ubique el acondicionador de aire sobre su lateral, frente, parte trasera o dado vuelta.

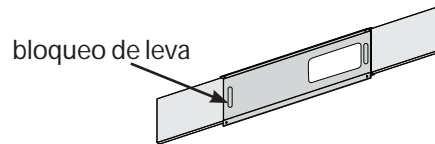
## 2. INSTALE EL ENSAMBLE DE LA MANGUERA DE SALIDA EN LA PARTE TRASERA DE LA UNIDAD

Instale el ensamble de la manguera de salida desenroscando la manguera en dirección antihoraria en el puerto de salida sobre la parte trasera del acondicionador de aire.

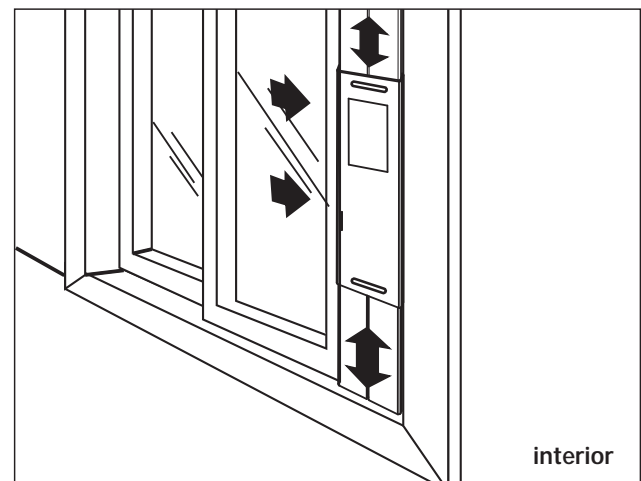
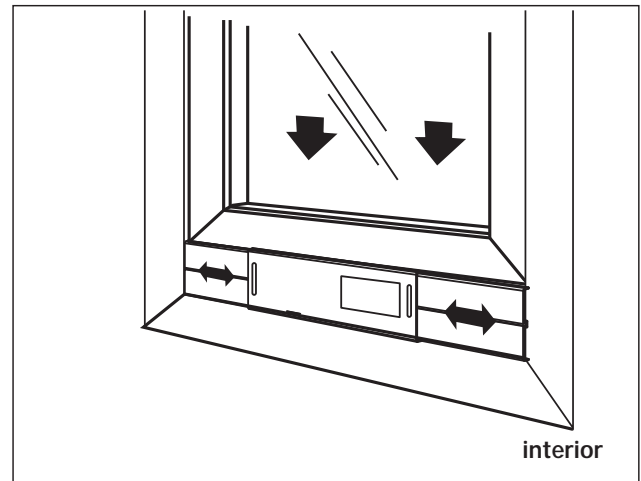


## 3. INSTALE LOS PANELES DE LA VENTANA

- A. Mida la abertura de la ventana. En una abertura de 20" use sólo el panel intermedio del Kit de Ventana con la abertura para el Adaptador de la Manguera de Salida. Para aberturas de 20" a 33", inserte un panel lateral en el panel intermedio; para aberturas de 33" a 46", inserte ambos paneles laterales.
- B. Coloque el Kit de Ventana en la abertura de la ventana



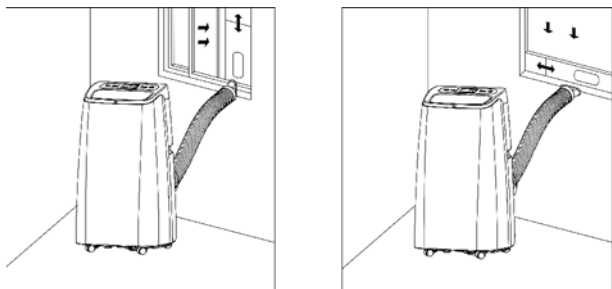
(las Tuercas de Fijación deberán mirar hacia usted) y deslice los paneles laterales (si son usados) hacia afuera para llenar la abertura. Bloquee los paneles en su posición con las Tuercas de Fijación. Aplique los sellados de gomaespuma sobre las partes superior, trasera y extremos, a fin de brindar el mejor sellado. Deslice el cierre de la ventana contra el Kit de Ventana.



# INSTRUCCIONES DE INSTALACIÓN

## 4. CONECTE LA MANGUERA DE SALIDA AL PANEL DE LA VENTANA

Coloque el acondicionador de aire cerca de la ventana, asegurándose de contar por lo menos con 20" de espacio desde la pared hasta cualquier otra obstrucción. Extienda la manguera de modo que llegue hasta el Kit de Ventana. Inserte el Adaptador de la Manguera de Salida en la abertura del Kit de Ventana y deslice el mismo hasta la posición de bloqueo. Asegúrese de que la manguera sea conducida directamente hasta la ventana sin extensiones excesivas. Importante: La ventilación del acondicionador de aire deberá estar dirigida hacia la parte exterior. No utilice una manguera más larga ni extienda la manguera incluida con el acondicionador de aire, ya que la unidad no enfriará de forma adecuada y se sobrecalentará.



## 5. COMPLETE LA INSTALACIÓN

### ⚠ ADVERTENCIA



#### Riesgo de Descarga Eléctrica

Enchufe en un tomacorriente con conexión a tierra de 3 cables.

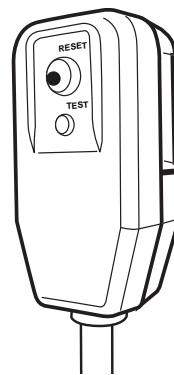
No retire la clavija de conexión a tierra del enchufe del cable de corriente.

No use un adaptador.

No use un prolongador.

Si no se cumple con esto, se podrá producir la muerte, incendio o descarga eléctrica.

- Enchufe el cable de corriente en un tomacorriente con conexión a tierra de 3 patas.
- Presione el botón Reset (Reiniciar) del cable de corriente para asegurarse de que el enchufe de seguridad está enviando corriente al acondicionador de aire.
- Deje 20" de espacio alrededor del acondicionador de aire para una correcta circulación de aire.
- Al retirar el acondicionador de aire, asegúrese de retirar el Kit de Ventana.



# SOLUCIÓN DE PROBLEMAS

Problema	Causas posibles	Qué hacer
La unidad no se pone en marcha ni funciona	El cable de suministro de energía no está enchufado en un toma corriente.	Conecte el cable eléctrico a un toma corriente de 3 terminales con conexión a tierra.
	El cable de suministro de energía se ha disparado.	Presione y libere RESET (Restablecer) en el cable de suministro de energía.
	El botón Power (Encendido) no se ha presionado.	Presione el botón Power (Encendido) en el panel de control o el control remoto para ENCENDER el acondicionador de aire.
	El toma corriente eléctrico no recibe suministro eléctrico.	Enchufe una lámpara de trabajo en el toma corriente para verificar si hay energía.
	Se ha fundido un fusible de la casa o se ha disparado un cortacircuitos.	Reemplace el fusible o reposicione el cortacircuitos.
	El control fue programado para un tiempo diferido.	Cancele el tiempo diferido. Vea "Panel de control".
	Las pilas del control remoto están agotadas.	Reemplace las pilas.
	El tanque de agua interno está lleno. NOTA: El acondicionador de aire se apaga automáticamente y el indicador Water Full (Máximo nivel de agua) se ilumina para avisarle de este estado.	Vacíe el tanque de agua. Vea "Cuidado del acondicionador de aire".
El control remoto no funciona	Las pilas están agotadas.	Reemplace las pilas.
	Las pilas están insertadas de forma incorrecta.	Asegúrese de que las pilas se inserten en la posición correcta.
El acondicionador de aire está funcionando, pero la habitación no se enfría.	La temperatura de la habitación está caliente. NOTA: En días muy calurosos y húmedos, el acondicionador de aire necesitará más tiempo para enfriar la habitación.	Dé tiempo para que la habitación se enfríe cuando enciende la unidad por primera vez. Asegúrese de que el acondicionador de aire tenga una categoría de BTU (Unidad Térmica Británica) adecuada para el tamaño de la habitación que desea enfriar.
	El control se ha fijado incorrectamente en modo Fan (Ventilador) o Dry (Seco).	Fije el modo Cool (Enfriamiento) y la velocidad del ventilador en High (Alta).
	El flujo de aire ha disminuido.	Quite los obstáculos que bloquean el flujo de aire y redirija el flujo de aire para lograr un enfriamiento uniforme.
	La temperatura está fijada demasiado alta.	Baje la temperatura fijada.
	Los filtros de aire están sucios u obstruidos.	Limpie el filtro de aire. Vea "Cuidado del acondicionador de aire".
	El acondicionador de aire se ha instalado incorrectamente.	Verifique que la manguera de escape y el panel de la ventana estén correctamente instalados.
	Las puertas y las ventanas están abiertas.	Cierre las puertas y las ventanas de la habitación que desea enfriar para evitar que el aire enfriado se escape.

## Códigos de Error

Códigos de Error	Significado
E1	Sensación atípica por parte del sensor de la tubería de la bobina
E2	Sensación atípica del sensor de temperatura de la sala
E4	Protección anticongelamiento
FL	Llenado completo de agua

# CONFIGURACIÓN WIFI

## Haier Appliances WiFi Connect (Conexión WiFi de Haier Appliances) (Para clientes en Estados Unidos)

**Haier Appliances WiFi Connected Habilitado\*** Si su acondicionador de aire posee una etiqueta de Información del Electrodoméstico Conectado ubicada en la parte externa como se muestra a continuación, su acondicionador de aire cuenta con Haier WiFi Connect Habilitado. Una tarjeta de comunicación de WiFi está incorporada en el producto, permitiendo la comunicación del mismo con su teléfono inteligente para el monitoreo remoto, control y notificaciones. Para aprender más sobre las funciones del electrodoméstico conectado, y para saber qué aplicaciones de electrodomésticos conectados funcionarán con su teléfono inteligente, visite [www.Haierappliances.com/connect](http://www.Haierappliances.com/connect).



## Cómo Funciona

Descargue la Aplicación de Haier Appliances



Use la aplicación para conectar su acondicionador de aire para sala al WiFi



Una vez conectada, use la aplicación para apagar su acondicionador de aire al salir del trabajo.



## Puesta en marcha

A fin de conectar su acondicionador de aire para sala, necesitará la Aplicación de Haier Appliances. La aplicación lo guiará a través del proceso de conexión. Descargue la aplicación de iTunes o Google Play.



**Los datos de todos los electrodomésticos conectados son guardados en estricto cumplimiento con la Política de Privacidad de Datos de Conexión de Haier Appliances. Para acceder a esta política, visite [geappliances.com/privacy/privacy\\_policy\\_connected](http://geappliances.com/privacy/privacy_policy_connected).**

## Preguntas acerca de WiFi Connect

Acceda a respuestas necesarias sobre la configuración de electrodomésticos con WiFi y la conexión a su red hogareña a través de nuestros artículos de soporte.

Para acceder a los artículos de soporte la conexión wifi del acondicionador de aire para sala, visite [products.geappliances.com/appliance/gea-support-search-content](http://products.geappliances.com/appliance/gea-support-search-content).

## INFORMACIÓN REGULATORIA

### Declaración de Cumplimiento con FCC/IC:

1. Este dispositivo no podrá causar interferencias perjudiciales.
2. Este dispositivo debe aceptar cualquier interferencia recibida, incluidas las interferencias que puedan provocar un funcionamiento no deseado.

Este equipo fue probado y cumple con los límites establecidos para un dispositivo digital de clase B, según la parte 15 de la Normativa de la FCC. Estos límites fueron diseñados para brindar una protección razonable contra interferencias nocivas en una instalación residencial. Este equipo genera, usa y puede emitir energía de radiofrecuencia y, si no se instala y utiliza de acuerdo con las instrucciones, puede ocasionar interferencias perjudiciales sobre las comunicaciones radiales. Sin embargo, no se garantiza que no se presenten interferencias en una instalación en particular. Si este equipo provoca interferencias perjudiciales para la recepción de radio o televisión, lo que puede comprobar encendiendo y apagando el equipo, se aconseja al usuario que intente corregir la interferencia a través de una o más de las siguientes medidas:

- Reoriente o reubique la antena receptora.
- Aumente la separación entre el equipo y el receptor.

- Conecte el equipo a un tomacorriente de un circuito diferente al tomacorriente al cual se encuentra conectado el receptor.
- Para solicitar ayuda, consulte al comerciante minorista o a un técnico experimentado de radio/ televisión.

**Etiqueta:** Las modificaciones sobre esta unidad no aprobadas expresamente por parte del fabricante podrían anular la autoridad del usuario para utilizar el equipo.

\*Modelos Selectos Únicamente

Este producto tiene capacidad Wi-Fi y requiere conectividad a Internet y un enrutador inalámbrico para permitir la interconexión con un Sistema de administración de energía y / o con otros dispositivos, sistemas o aplicaciones externos.

El uso de Works con el logotipo de Apple HomeKit™ significa que un accesorio electrónico se ha diseñado para conectarse específicamente con iPod touch®, iPhone® o iPad®, respectivamente, y el desarrollador ha certificado que cumple con los estándares de rendimiento de Apple®. Apple no es responsable del funcionamiento de este dispositivo ni de su cumplimiento de las normas de seguridad y reglamentarias.

# GARANTÍA LIMITADA

Grape aquí su recibo.

Se requiere facilitar prueba de la fecha de compra original para hacer un reclamo de garantía.

Por el Período de:	Reemplazaremos:
Un Año Desde la fecha de la compra original	<b>Reemplazo, reparación o reembolso</b> del costo minorista original de cualquier producto que falle debido a un defecto en los materiales o la fabricación. Si la unidad es cambiada, la unidad de reemplazo posee garantía por el resto del período de la garantía original de un año sobre su producto. Haier Appliances reemplazará, a su exclusivo criterio, el producto por otro de la misma o de una funcionalidad y calidad comparable o hará un reembolso por el precio minorista original.

## A Fin de Realizar un Reclamo de la Garantía Durante el Período de Devolución Permitido por el Vendedor Minorista:

- **Embale la unidad correctamente. Le recomendamos usar la caja de cartón y los materiales de embalaje originales.**
- **Entregue el producto en la ubicación del vendedor minorista donde fue adquirido.**
- **Incluya en el paquete una copia del receptor de la venta u otro comprobante de la fecha de compra original. También escriba su nombre y domicilio y una descripción del defecto.**

## A Fin de Realizar un Reclamo sobre la Garantía Durante el Resto de la Garantía de un Año:

- **Ubique su recibo de venta original y haga una nota de su modelo y número de serie.**
- **Visite Sitio Web en: [haierappliances.com](http://haierappliances.com) para iniciar el proceso de reemplazo del producto.**
- **Se solicitará su nombre, domicilio, fecha de compra, y números de modelo y serie.**
- **Haier Appliances hará arreglos para que se envíe una caja de cartón a su hogar para recuperar el producto.**
- **Por favor entregue todos los materiales solicitados (envío postal prepago) en la caja de cartón provista. Por favor incluya una descripción del defecto.**
- **Debería recibir el producto de reemplazo o un reembolso entre los 7 y 10 días hábiles una vez que hayamos recibido su paquete.**

## Qué No Será Cubierto:

- **Instrucción al cliente. Este manual del propietario brinda información relacionada con instrucciones de funcionamiento y controles del usuario.**
- **Instalación inadecuada. Si tiene un problema de instalación o el acondicionador de aire no posee la capacidad adecuada, contacte a su vendedor minorista o instalador. Usted es responsable de brindar instalaciones de conexión eléctrica adecuadas.**
- **Falla del producto como resultado de modificaciones sobre el mismo o debido a un uso irrazonable, incluyendo la falta de mantenimiento razonable o necesario.**
- **Reemplazo de fusibles del hogar o reinicio de disyuntores.**
- **Fallas como consecuencia de corrosión en modelos sin protección contra ésta.**
- **Daños ocasionados sobre el producto por nivel de suministro de voltaje inadecuado, accidente, incendio, inundaciones o catástrofes naturales.**
- **Daños consecuentes o incidentales causados por posibles defectos del acondicionador de aire.**
- **Daño causado después de la entrega.**

**EXCLUSIÓN DE GARANTÍAS IMPLÍCITAS**—Su única y exclusiva alternativa es la reparación del producto, como se indica en la Garantía Limitada. Las garantías implícitas, incluyendo garantías implícitas de comerciabilidad o conveniencia sobre un propósito particular, se limitan a un año o al período más corto permitido por la ley.

Para Clientes de EE.UU.: Esta garantía limitada se extiende al comprador original y a cualquier dueño subsiguiente de productos comprados para uso hogareño dentro de EE.UU. Si el producto está en un área donde no se encuentra disponible un Proveedor Autorizado del Servicio Técnico de Haier Appliances, usted será responsable por el costo de un viaje o se podrá requerir que traiga el producto a una ubicación del Servicio Técnico de Haier Appliances Autorizado para recibir el servicio. En Alaska, la garantía limitada excluye el costo de envío o llamadas del servicio técnico a su hogar.

Algunos estados no permiten la exclusión o limitación de daños fortuitos o consecuentes. Esta garantía limitada le da derechos legales específicos y es posible que tenga otros derechos legales que varían entre un estado y otro. Para conocer cuáles son sus derechos legales, consulte a la oficina de asuntos del consumidor local o estatal o al Fiscal de su estado.

Garante en EE.UU:  
**GE Appliances, a Haier company**  
Louisville, KY 40225

# **IMPORTANT**

## **Do Not Return This Product To The Store**

If you have a problem with this product, please call 1-877-337-3639 for the name and telephone number of the nearest authorized service center.

**DATED PROOF OF PURCHASE REQUIRED FOR WARRANTY SERVICE**

# **IMPORTANTE**

## **No regrese este producto a la tienda**

Si tiene un problema con este producto, por favor comuníquese al 1-877-337-3639 para solicitar el nombre y número telefónico del centro de servicio al cliente autorizado más cercano.

**NECESITA UNA PRUEBA DE COMPRA FECHADA, NÚMERO DE MODELO Y DE SERIE PARA EL SERVICIO DE LA GARANTÍA**