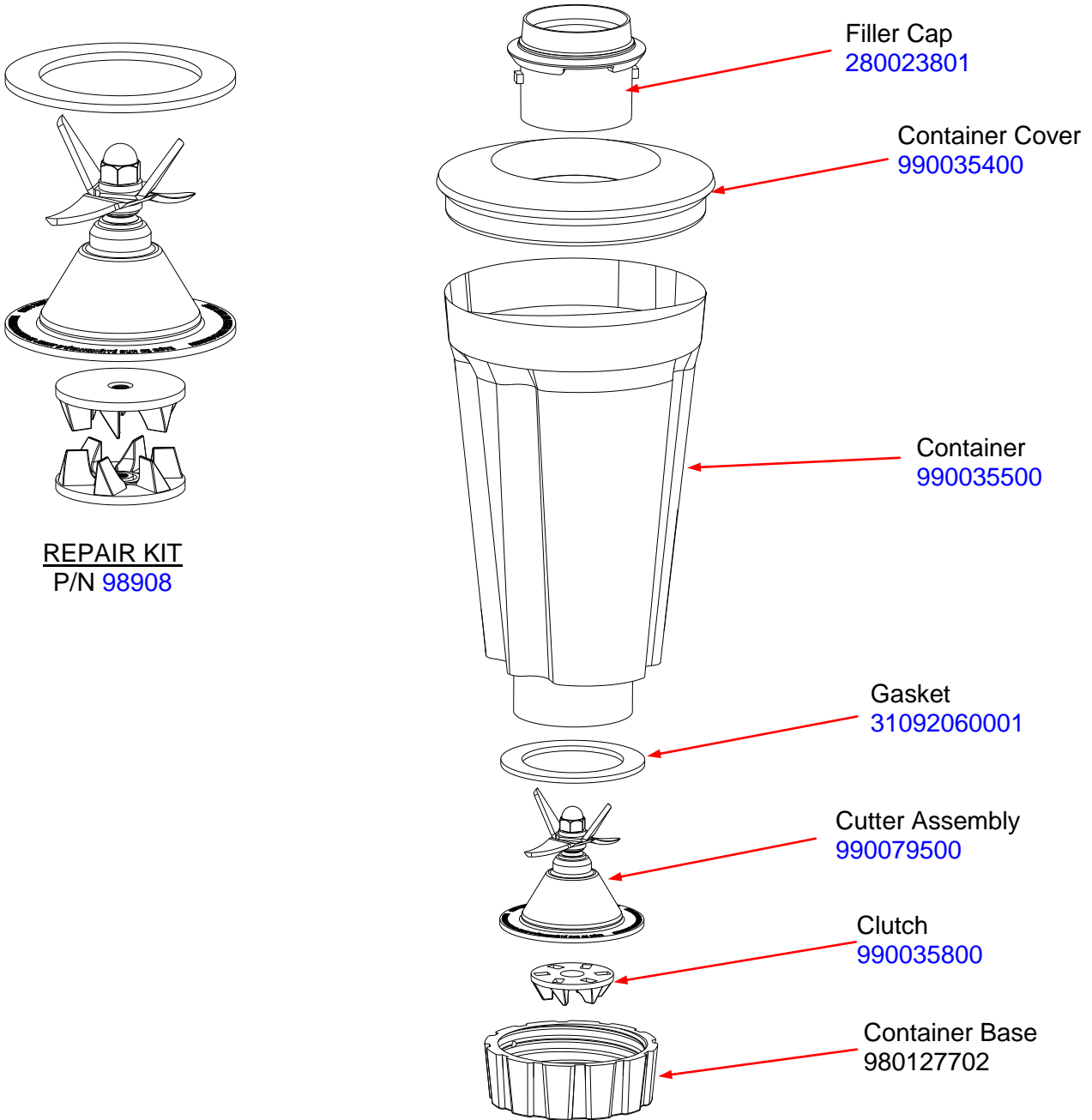


Parts and Accessories Diagram

PROPRIETARY RIGHTS NOTICE This document and all information contained within it is the property of Hamilton Beach Brands, Inc. (HBB). It is confidential and proprietary and has been provided to you for a limited purpose. It must be returned or destroyed upon request. Disclosure, reproduction or use of this document and any information contained within it, in full or in part, for any purpose is forbidden without the prior written consent of HBB. No photographs may be taken of any article fabricated or assembled from this document without the prior written consent of HBB.



REPAIR KIT
P/N 98908

Filler Cap
280023801

Container Cover
990035400

Container
990035500


Gasket
31092060001

Cutter Assembly
990079500

Clutch
990035800

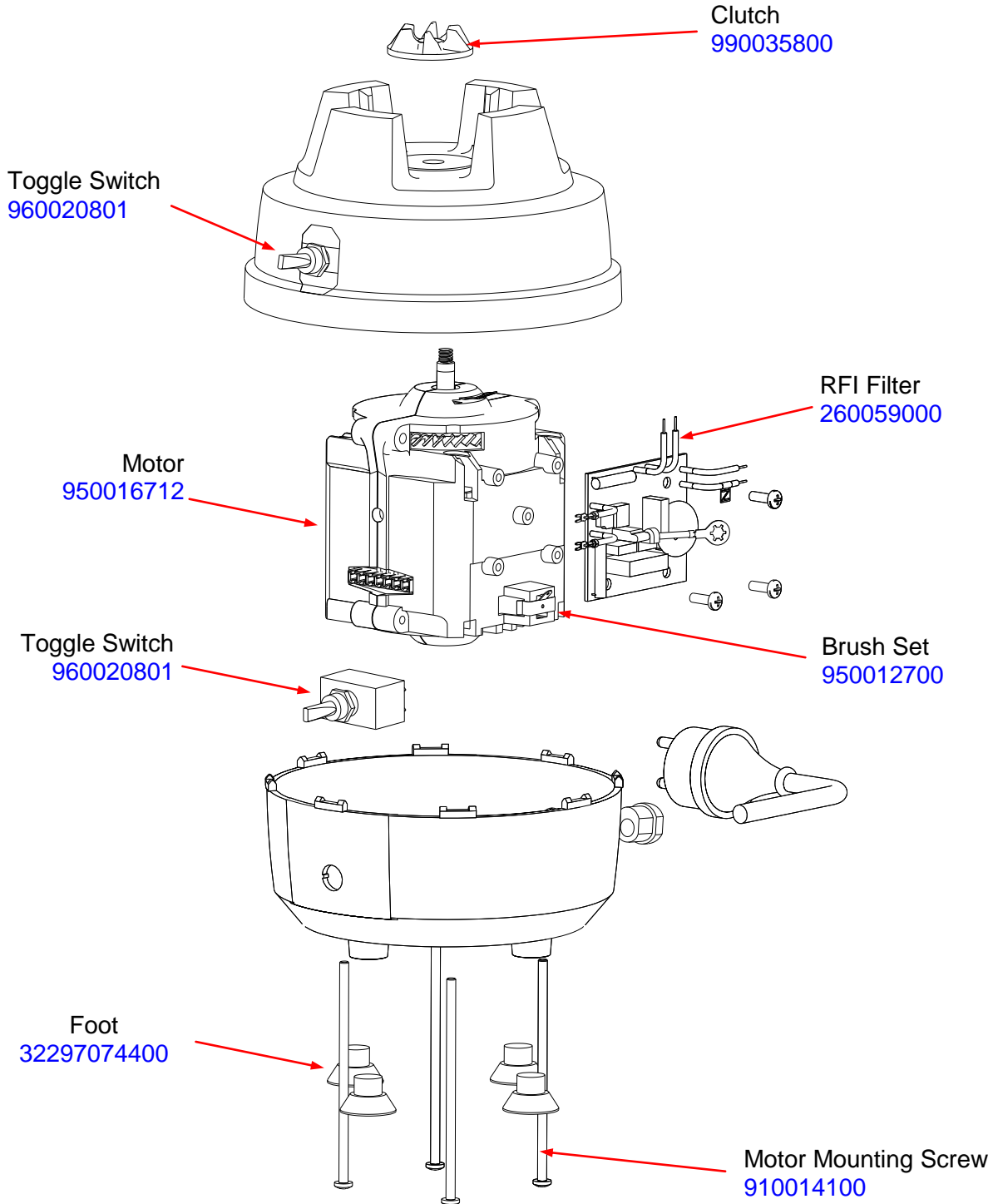
Container Base
980127702


COMPLETE ASSEMBLY 6126-1G908

 4421 Waterfront Drive Glen Allen, VA 23060	Revision Description:	Remove Obsolete Parts					
	Request Number:	DOC9436	Revision Date:	10/19/2018	Approved by:	DOC9436	
	Issue Code(s):		Page:	1 of 2	Document #:	510013200	Rev:

Parts and Accessories Diagram

PROPRIETARY RIGHTS NOTICE This document and all information contained within it is the property of Hamilton Beach Brands, Inc. (HBB). It is confidential and proprietary and has been provided to you for a limited purpose. It must be returned or destroyed upon request. Disclosure, reproduction or use of this document and any information contained within it, in full or in part, for any purpose is forbidden without the prior written consent of HBB. No photographs may be taken of any article fabricated or assembled from this document without the prior written consent of HBB.



 <p>Hamilton Beach 4421 Waterfront Drive Glen Allen, VA 23060</p>	Revision Description: Remove Obsolete Parts		Revision Date: 10/19/2018		Approved by: DOC9436	
	Request Number: DOC9436	Page: 2 of 2		Document #: 510013200	Rev: F	
	Issue Code(s):					