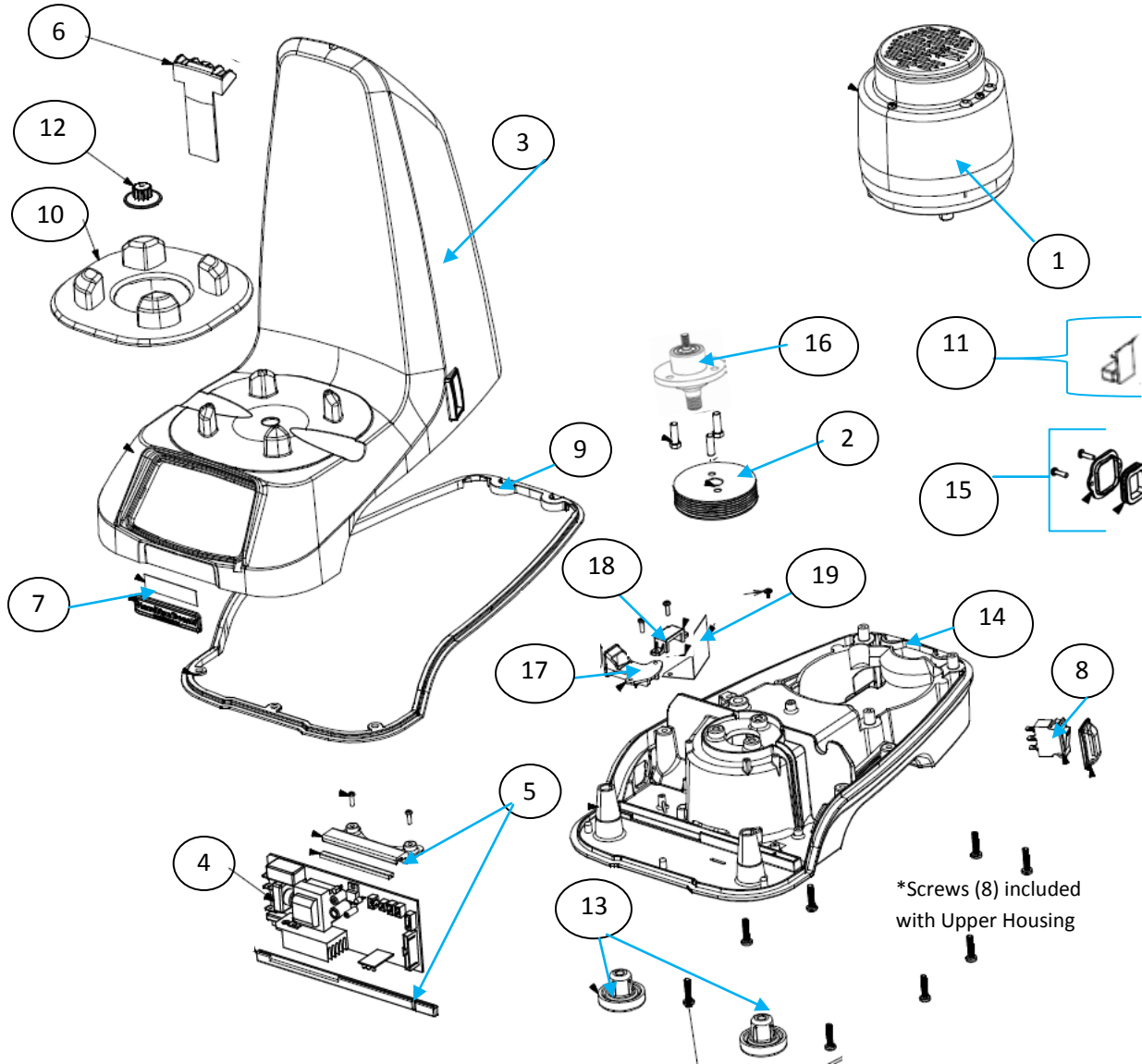


## HBF1100 - Parts & Accessories Diagram

**PROPRIETARY RIGHTS NOTICE** This document and all information contained within it is the property of Hamilton Beach Brands, Inc. (HBB). It is confidential and proprietary and has been provided to you for a limited purpose. It must be returned or destroyed upon request. Disclosure, reproduction or use of this document and any information contained within it, in full or in part, for any purpose is forbidden without the prior written consent of HBB. No photographs may be taken of any article fabricated or assembled from this document without the prior written consent of HBB.

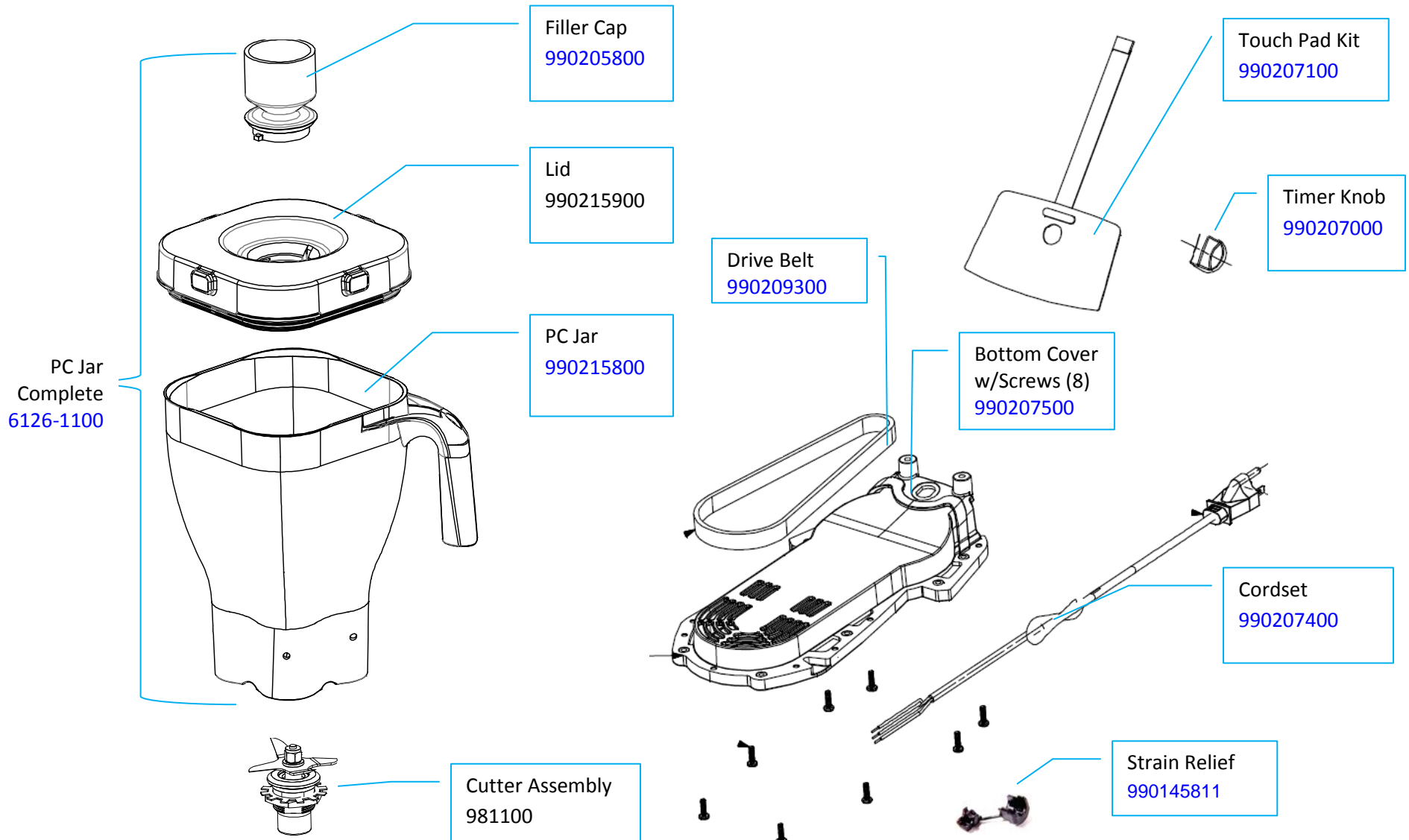



Bub. No.	Part Number	Description
1	<a href="#">990206000</a>	Motor Assembly
2	<a href="#">990206500</a>	Output Pulley
3	<a href="#">990206600</a>	Upper Housing
4	<a href="#">990206200</a>	Main PCBA
5	<a href="#">990206100</a>	PCBA Mount
6	<a href="#">990206300</a>	Hall Sensor Assy.
7	<a href="#">990092700</a>	Commercial Badge
8	<a href="#">990114100</a>	Breaker Switch
9	990206800	Upper Housing Seal
10	<a href="#">990206700</a>	Jar Pad
11	<a href="#">990127200</a>	Memory Card Board
12	<a href="#">990147700</a>	Drive Coupling
13	<a href="#">990207600</a>	Foot (2)
14	<a href="#">990206900</a>	Lower Housing
15	<a href="#">990207200</a>	Memory Card Cover
16	<a href="#">990206400</a>	Output Assembly
17	<a href="#">990209500</a>	Memory Card Support
18	<a href="#">990209600</a>	Bracket
19	<a href="#">990209700</a>	Card Insulation

 4421 Waterfront Drive Glen Allen, VA 23060	Revision Description:	Correct Cutter Assembly				
	Request Number:	DOC9467	Revision Date:	10/16/18	Approved by:	DOC9467
	Issue Code(s):		Page:	1 of 2	Document #:	540088300
					Rev:	<b>E</b>

## HBF1100 - Parts & Accessories Diagram

**PROPRIETARY RIGHTS NOTICE** This document and all information contained within it is the property of Hamilton Beach Brands, Inc. (HBB). It is confidential and proprietary and has been provided to you for a limited purpose. It must be returned or destroyed upon request. Disclosure, reproduction or use of this document and any information contained within it, in full or in part, for any purpose is forbidden without the prior written consent of HBB. No photographs may be taken of any article fabricated or assembled from this document without the prior written consent of HBB.



 4421 Waterfront Drive Glen Allen, VA 23060	Revision Description:	Correct Cutter Assembly				
	Request Number:	DOC9467	Revision Date:	10/16/18	Approved by:	DOC9467
	Issue Code(s):		Page:	2 of 2	Document #:	540088300
					Rev:	<b>E</b>