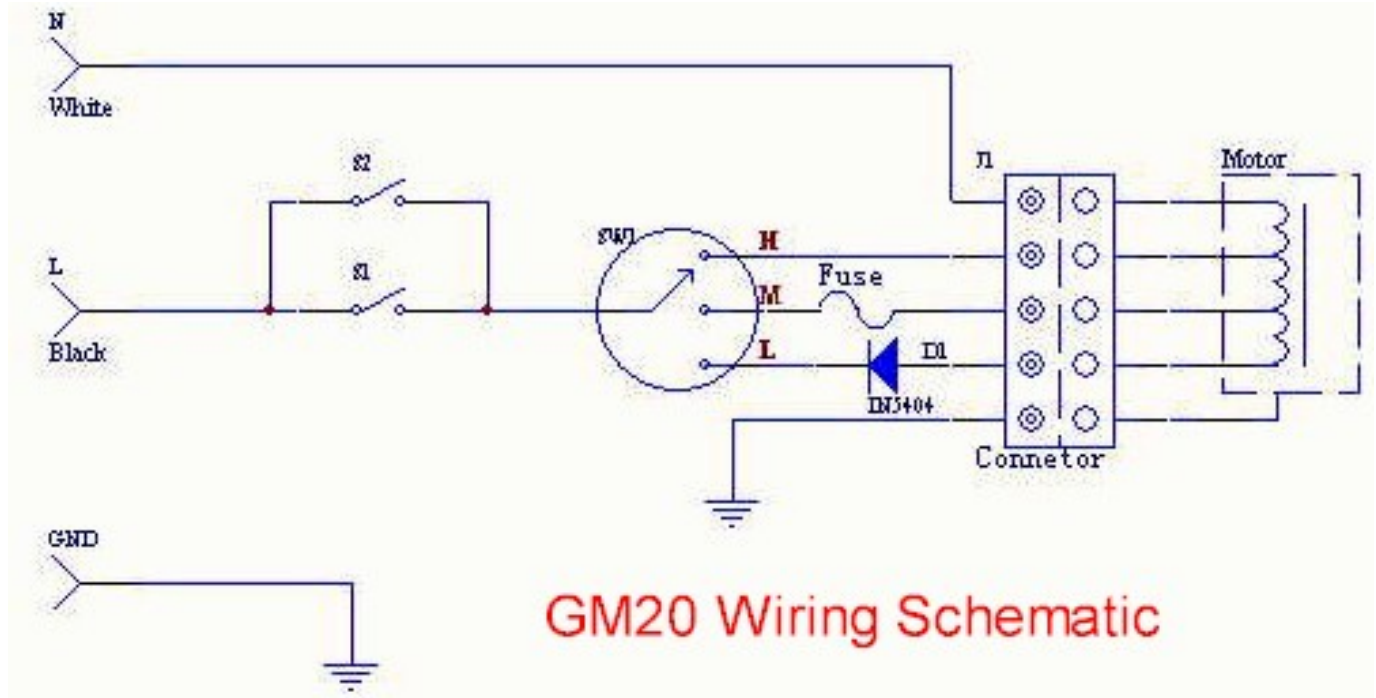


## WIRING DIAGRAM

**PROPRIETARY RIGHTS NOTICE** This document and all information contained within it is the property of Hamilton Beach/Proctor-Silex, Inc. (HB/PS). It is confidential and proprietary and has been provided to you for a limited purpose. It must be returned upon request or destroyed as set forth in the Specification Notice. Disclosure, reproduction or use of this document and any information contained within it, in full or in part, for any purpose is forbidden without the prior written consent of HB/PS. No photographs may be taken of any article fabricated or assembled from this document without the prior written consent of HB/PS.

### HMD200 WIRING DIAGRAM



<b>HAMILTON BEACH / PROCTOR-SILEX, INC.</b> 4421 WATERFRONT DRIVE GLEN ALLEN, VA 23060		HQE-3451: New Release			ISSUE CODE	
DRAWN BY: SN	ENG. IN CHG.	DATE: 7/26/06	APPROVED BY:		CS	SP
INITIAL USE: HMD200	PICT. REF.	SHEET 1 / 1	DRAWING NO. 5300011XX	REV. A		