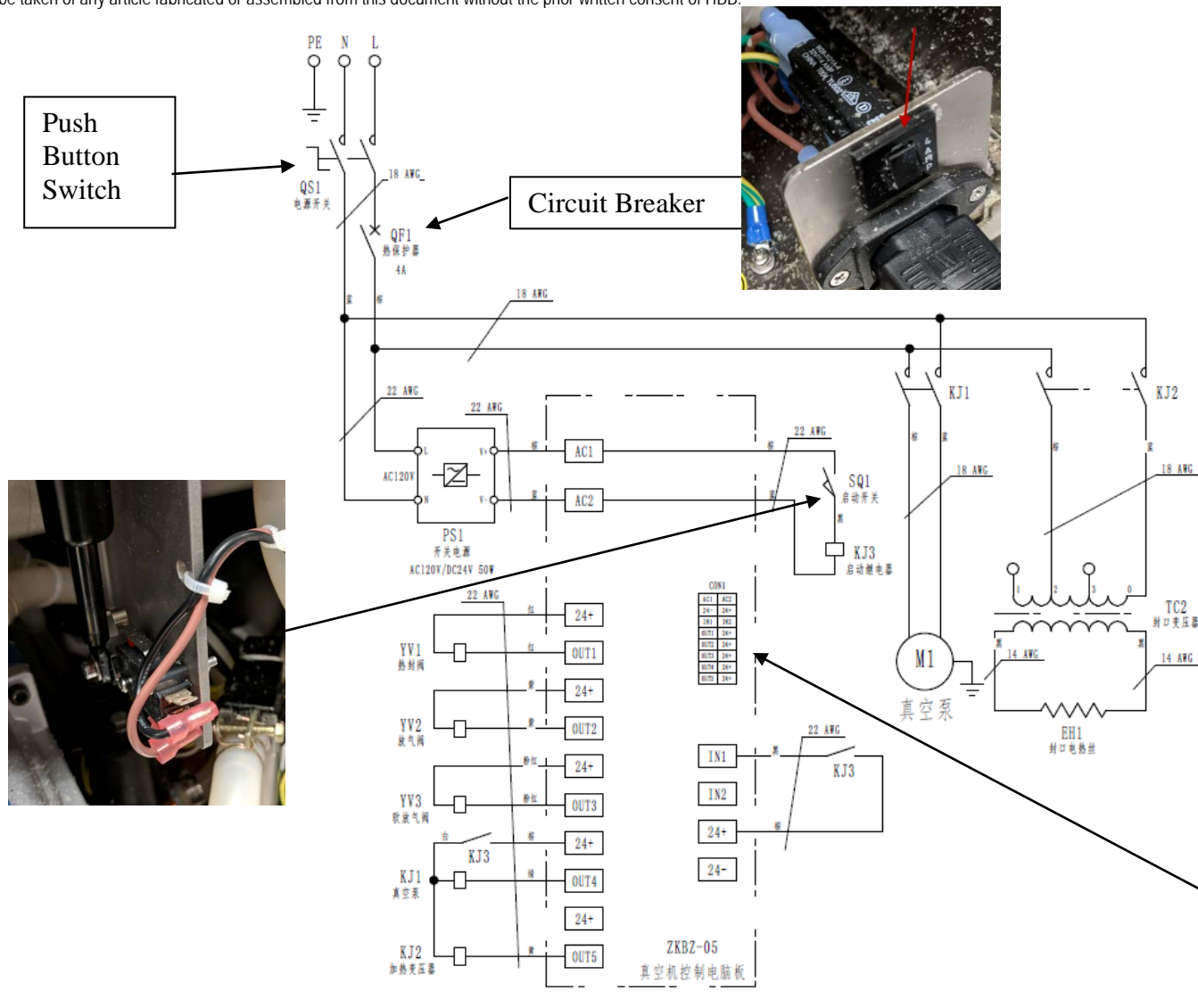


Wiring Diagram & Pneumatic Diagram – XV03 Commercial Vacuum Sealer – 120V – SERIES B CONSTRUCTION

PROPRIETARY RIGHTS NOTICE This document and all information contained within it is the property of Hamilton Beach Brands, Inc. (HBB). It is confidential and proprietary and has been provided to you for a limited purpose. It must be returned or destroyed upon request. Disclosure, reproduction or use of this document and any information contained within it, in full or in part, for any purpose is forbidden without the prior written consent of HBB. No photographs may be taken of any article fabricated or assembled from this document without the prior written consent of HBB.



- QS1 = Push Button Switch (on panel)
- QF1 = Circuit Breaker
- PS1 = Power Supply 120Vac to 24Vdc
- SQ1 = Start Switch (presence switch for lid)
- KJ3 = Start Relay
- KJ1 = Relay to Compressor Motor
- KJ2 = Relay to Heater
- TC2 = Transformer for Heater
- YV1 = Seal Valve
- YV2 = Intake Valve
- YV3 = Soft Bleed Valve (optional)

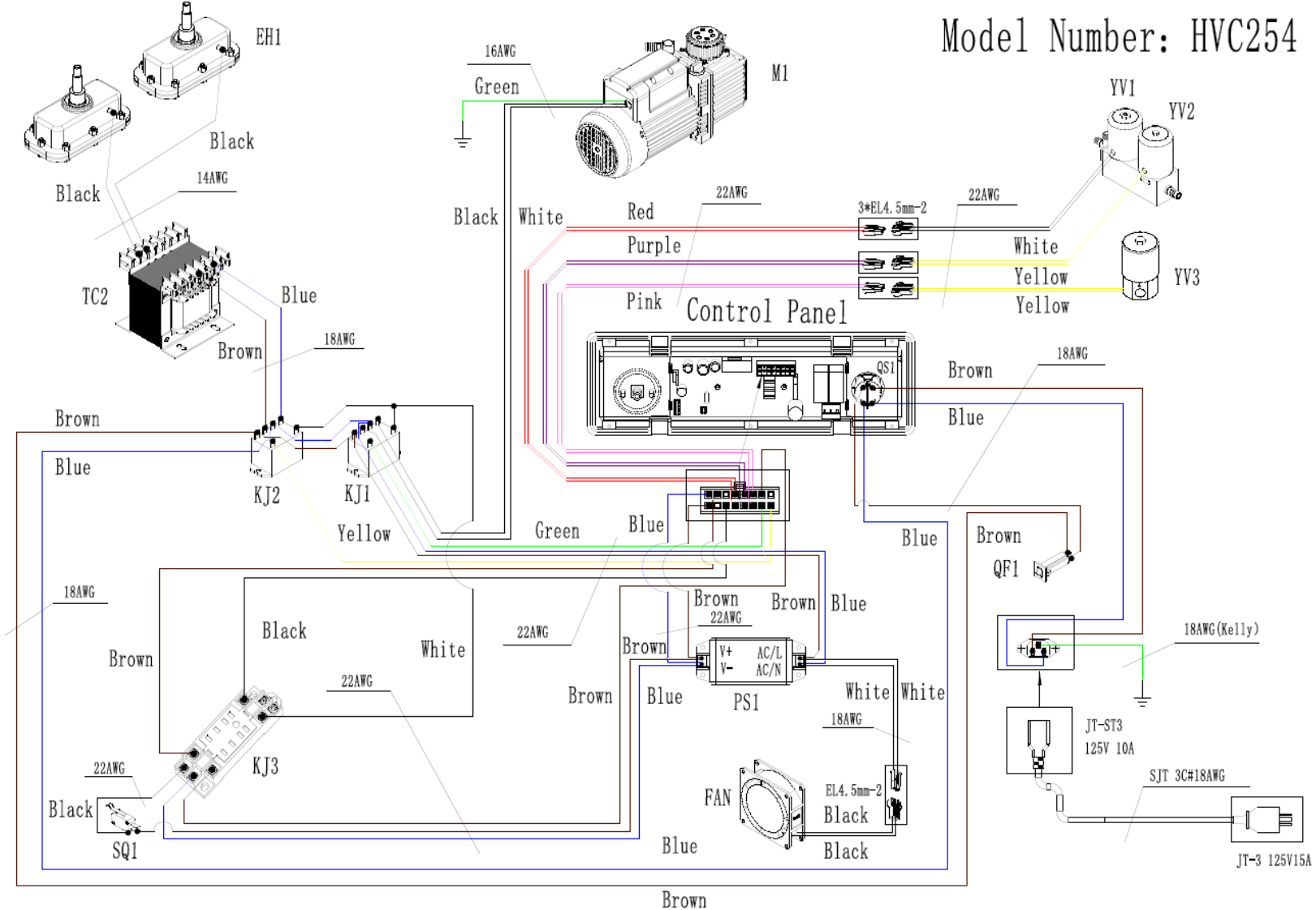
CON1

AC1	AC2
24-	24+
IN1	IN2
OUT1	24+
OUT2	24+
OUT3	24+
OUT4	24+
OUT5	24+

<p>Hamilton Beach 4421 Waterfront Drive Glen Allen, VA 23060</p>	Revision Description:	Production Release				Rev. Date:	
	Request #:	DOC9186	Page:	1 of 8	Document #:	530010100	Rev: A

Wiring Diagram & Pneumatic Diagram – XV03 Commercial Vacuum Sealer – 120V – SERIES B CONSTRUCTION

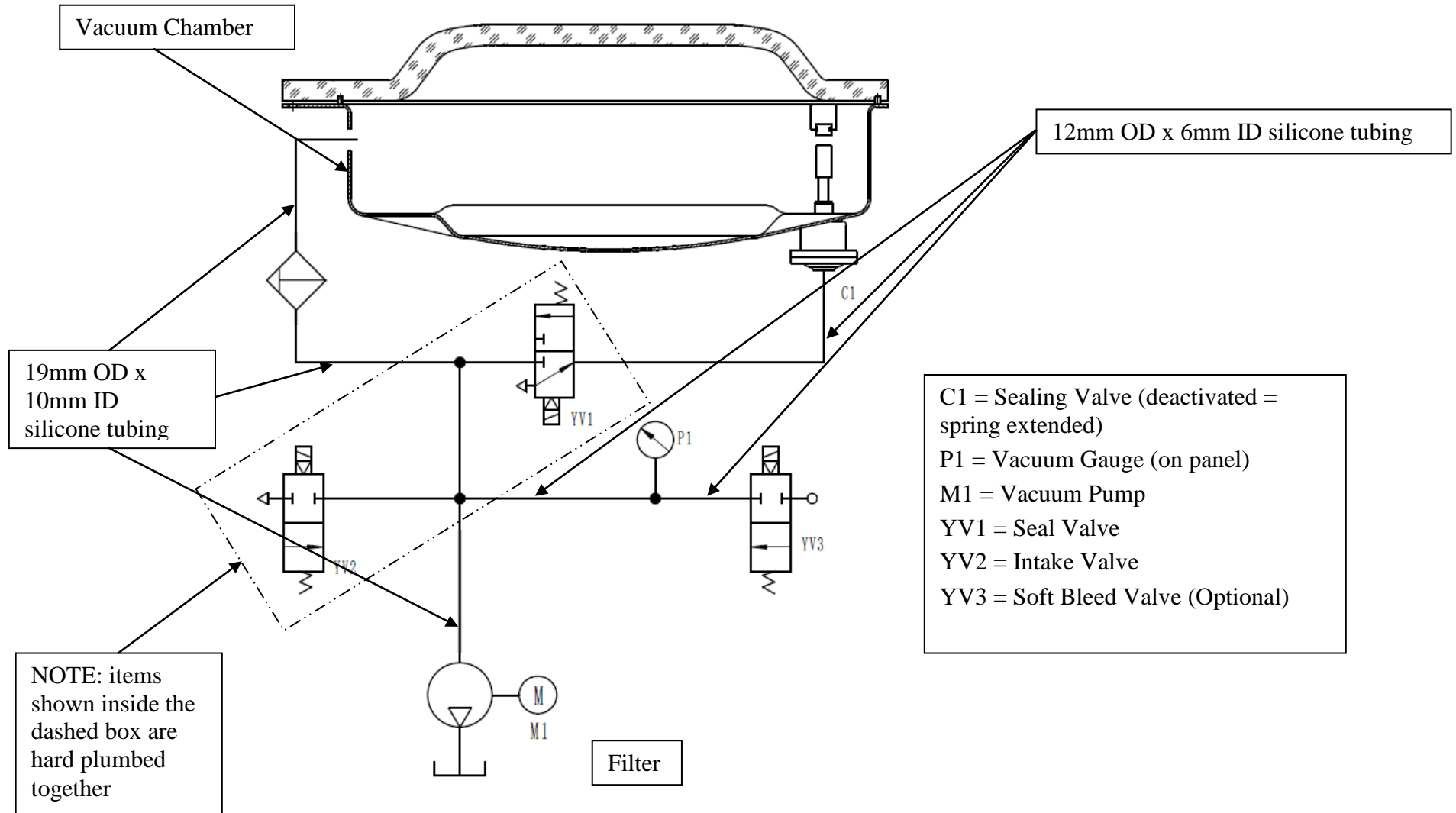
PROPRIETARY RIGHTS NOTICE This document and all information contained within it is the property of Hamilton Beach Brands, Inc. (HBB). It is confidential and proprietary and has been provided to you for a limited purpose. It must be returned or destroyed upon request. Disclosure, reproduction or use of this document and any information contained within it, in full or in part, for any purpose is forbidden without the prior written consent of HBB. No photographs may be taken of any article fabricated or assembled from this document without the prior written consent of HBB.




Hamilton Beach 4421 Waterfront Drive Glen Allen, VA 23060	Revision	Production Release				Rev. Date:
	Description:					9/26/2018
Request #:	DOC9186	Page:	2 of 8	Document #:	530010100	Rev: A

Wiring Diagram & Pneumatic Diagram – XV03 Commercial Vacuum Sealer – 120V – SERIES B CONSTRUCTION

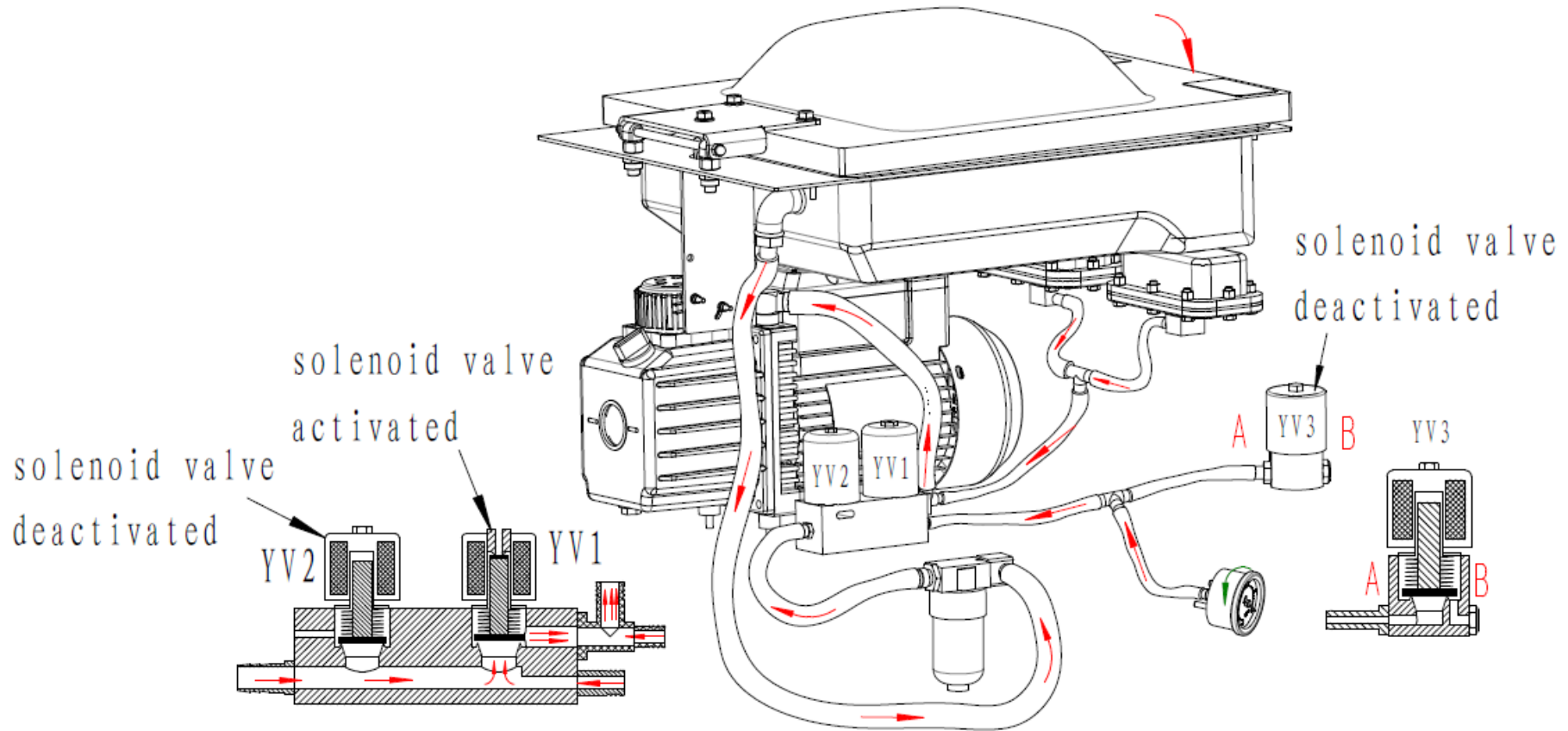
PROPRIETARY RIGHTS NOTICE This document and all information contained within it is the property of Hamilton Beach Brands, Inc. (HBB). It is confidential and proprietary and has been provided to you for a limited purpose. It must be returned or destroyed upon request. Disclosure, reproduction or use of this document and any information contained within it, in full or in part, for any purpose is forbidden without the prior written consent of HBB. No photographs may be taken of any article fabricated or assembled from this document without the prior written consent of HBB.



 4421 Waterfront Drive Glen Allen, VA 23060	Revision Description:	Production Release				Rev. Date:
	Request #:	DOC9186	Page:	3 of 8	Document #:	530010100
						Rev: A

Wiring Diagram & Pneumatic Diagram – XV03 Commercial Vacuum Sealer – 120V – SERIES B CONSTRUCTION

PROPRIETARY RIGHTS NOTICE This document and all information contained within it is the property of Hamilton Beach Brands, Inc. (HBB). It is confidential and proprietary and has been provided to you for a limited purpose. It must be returned or destroyed upon request. Disclosure, reproduction or use of this document and any information contained within it, in full or in part, for any purpose is forbidden without the prior written consent of HBB. No photographs may be taken of any article fabricated or assembled from this document without the prior written consent of HBB.

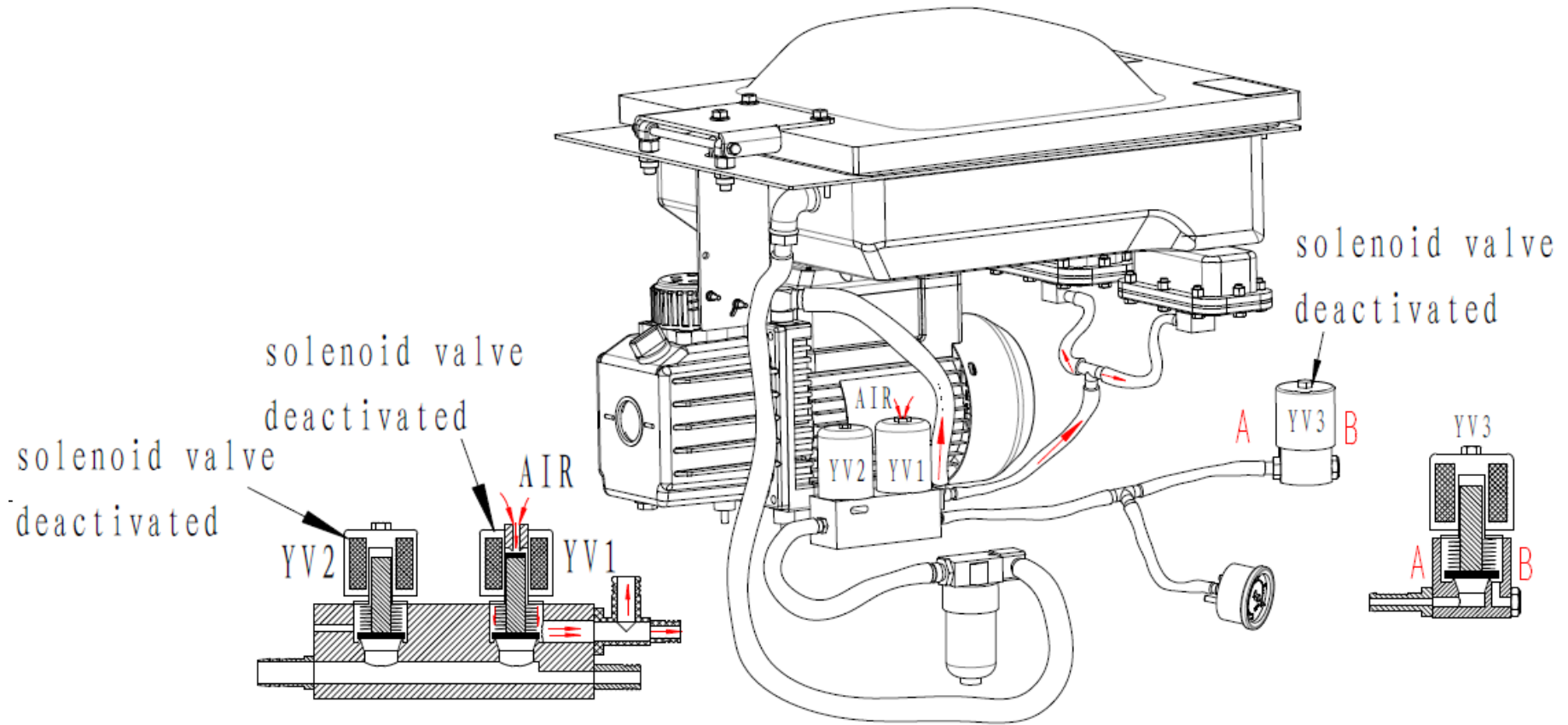


VACUUM CYCLE


4421 Waterfront Drive Glen Allen, VA 23060	Revision	Production Release				Rev. Date:	
	Description:					9/26/2018	
Request #:	DOC9186	Page:	4 of 8	Document #:	530010100	Rev:	A

Wiring Diagram & Pneumatic Diagram – XV03 Commercial Vacuum Sealer – 120V – SERIES B CONSTRUCTION

PROPRIETARY RIGHTS NOTICE This document and all information contained within it is the property of Hamilton Beach Brands, Inc. (HBB). It is confidential and proprietary and has been provided to you for a limited purpose. It must be returned or destroyed upon request. Disclosure, reproduction or use of this document and any information contained within it, in full or in part, for any purpose is forbidden without the prior written consent of HBB. No photographs may be taken of any article fabricated or assembled from this document without the prior written consent of HBB.

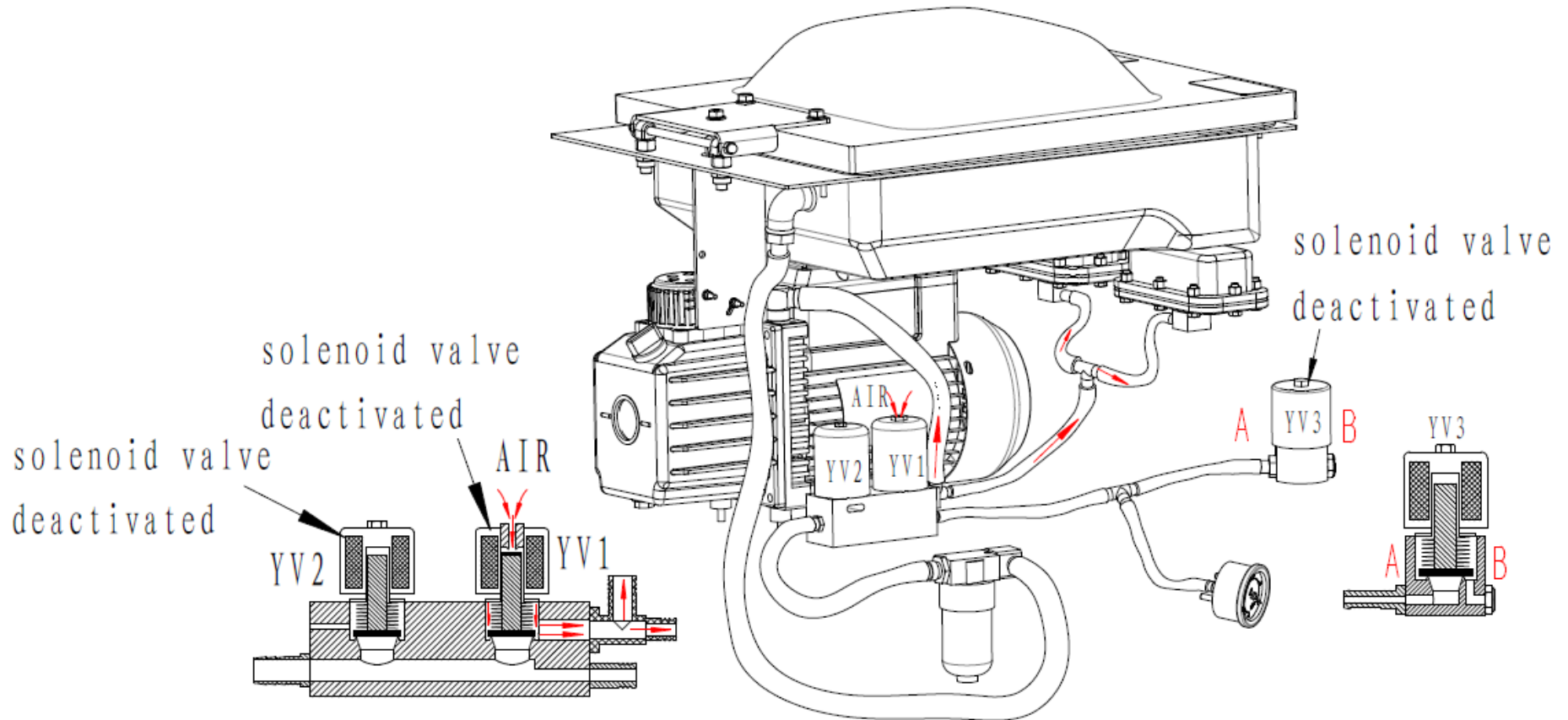


SEALING CYCLE


 Hamilton Beach 4421 Waterfront Drive Glen Allen, VA 23060	Revision	Production Release				Rev. Date:	
	Description:					9/26/2018	
Request #:	DOC9186	Page:	5 of 8	Document #:	530010100	Rev:	A

Wiring Diagram & Pneumatic Diagram – XV03 Commercial Vacuum Sealer – 120V – SERIES B CONSTRUCTION

PROPRIETARY RIGHTS NOTICE This document and all information contained within it is the property of Hamilton Beach Brands, Inc. (HBB). It is confidential and proprietary and has been provided to you for a limited purpose. It must be returned or destroyed upon request. Disclosure, reproduction or use of this document and any information contained within it, in full or in part, for any purpose is forbidden without the prior written consent of HBB. No photographs may be taken of any article fabricated or assembled from this document without the prior written consent of HBB.

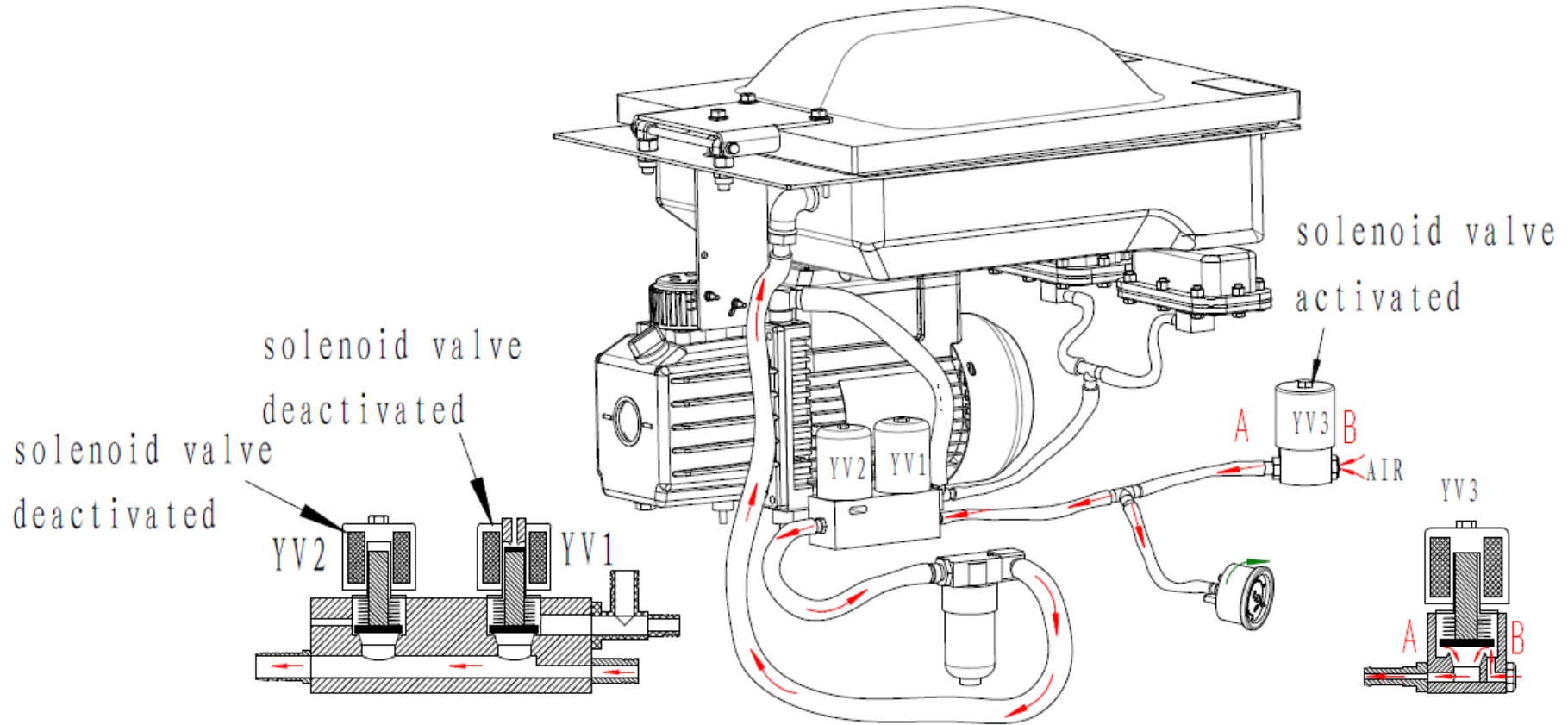


COOLING CYCLE


 4421 Waterfront Drive Glen Allen, VA 23060	Revision Description:	Production Release				Rev. Date:	
	Request #:	DOC9186	Page:	6 of 8	Document #:	530010100	Rev: A

Wiring Diagram & Pneumatic Diagram – XV03 Commercial Vacuum Sealer – 120V – SERIES B CONSTRUCTION

PROPRIETARY RIGHTS NOTICE This document and all information contained within it is the property of Hamilton Beach Brands, Inc. (HBB). It is confidential and proprietary and has been provided to you for a limited purpose. It must be returned or destroyed upon request. Disclosure, reproduction or use of this document and any information contained within it, in full or in part, for any purpose is forbidden without the prior written consent of HBB. No photographs may be taken of any article fabricated or assembled from this document without the prior written consent of HBB.

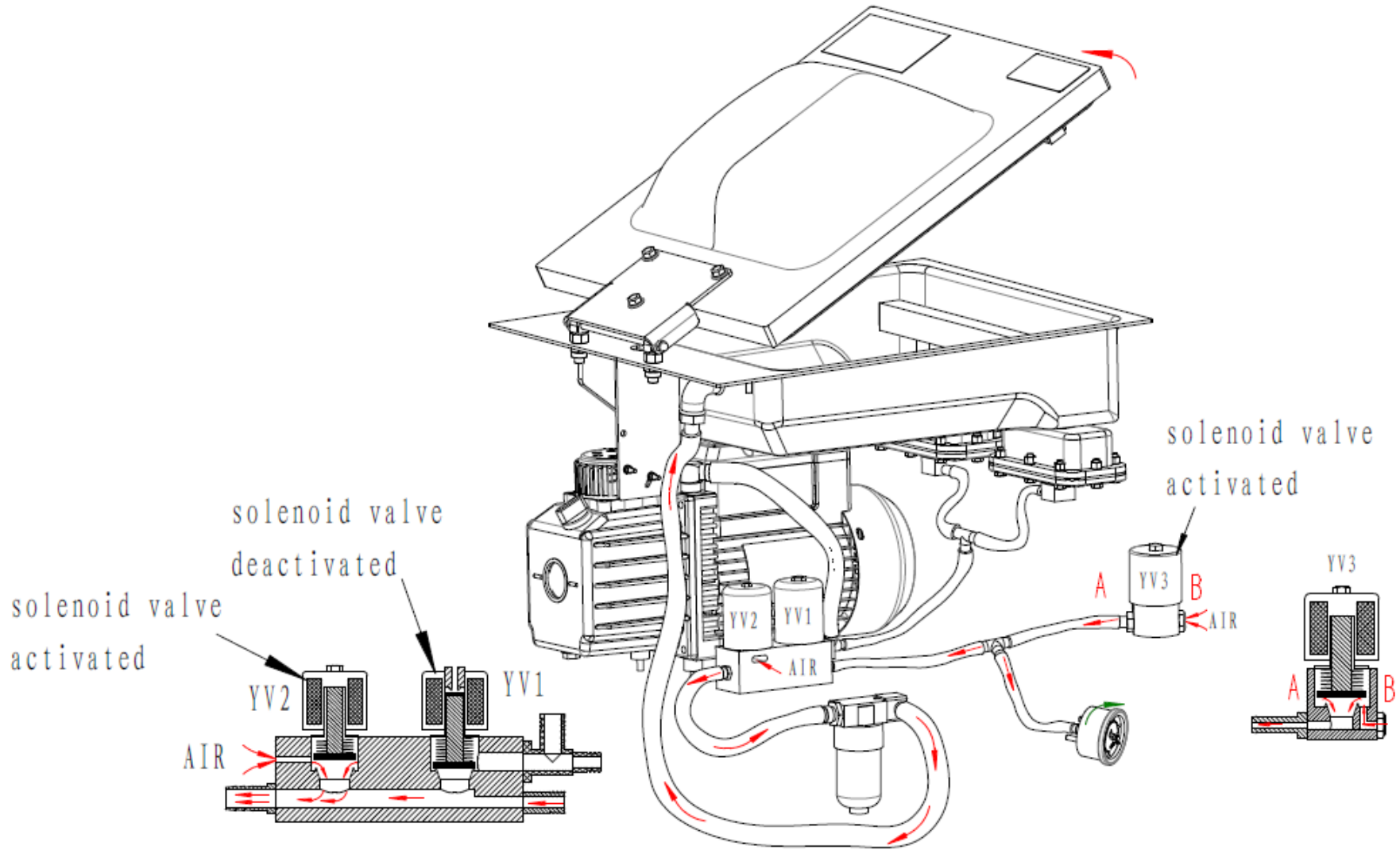


SOFT AIR CYCLE

 4421 Waterfront Drive Glen Allen, VA 23060	Revision Description:	Production Release				Rev. Date:		
	Request #:	DOC9186	Page:	7 of 8	Document #:	530010100	9/26/2018	
							Rev:	A

Wiring Diagram & Pneumatic Diagram – XV03 Commercial Vacuum Sealer – 120V – SERIES B CONSTRUCTION

PROPRIETARY RIGHTS NOTICE This document and all information contained within it is the property of Hamilton Beach Brands, Inc. (HBB). It is confidential and proprietary and has been provided to you for a limited purpose. It must be returned or destroyed upon request. Disclosure, reproduction or use of this document and any information contained within it, in full or in part, for any purpose is forbidden without the prior written consent of HBB. No photographs may be taken of any article fabricated or assembled from this document without the prior written consent of HBB.



SLOW RELEASE CYCLE

4421 Waterfront Drive Glen Allen, VA 23060	Revision	Production Release				Rev. Date:	
	Description:					9/26/2018	
Request #:	DOC9186	Page:	8 of 8	Document #:	530010100	Rev:	A