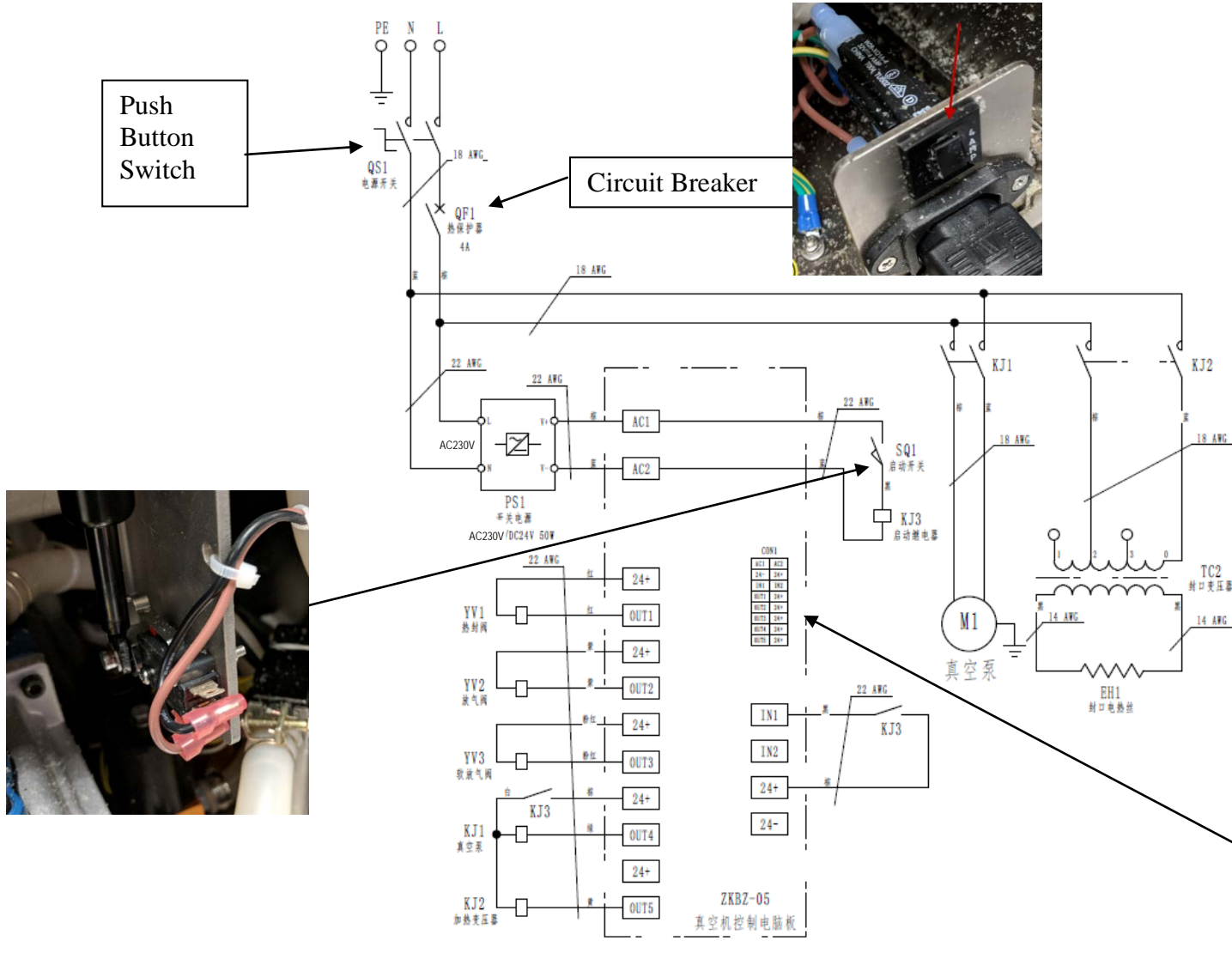


Wiring Diagram & Pneumatic Diagram – XV03 Commercial Vacuum Sealer – 230V – Series A

PROPRIETARY RIGHTS NOTICE This document and all information contained within it is the property of Hamilton Beach Brands, Inc. (HBB). It is confidential and proprietary and has been provided to you for a limited purpose. It must be returned or destroyed upon request. Disclosure, reproduction or use of this document and any information contained within it, in full or in part, for any purpose is forbidden without the prior written consent of HBB. No photographs may be taken of any article fabricated or assembled from this document without the prior written consent of HBB.



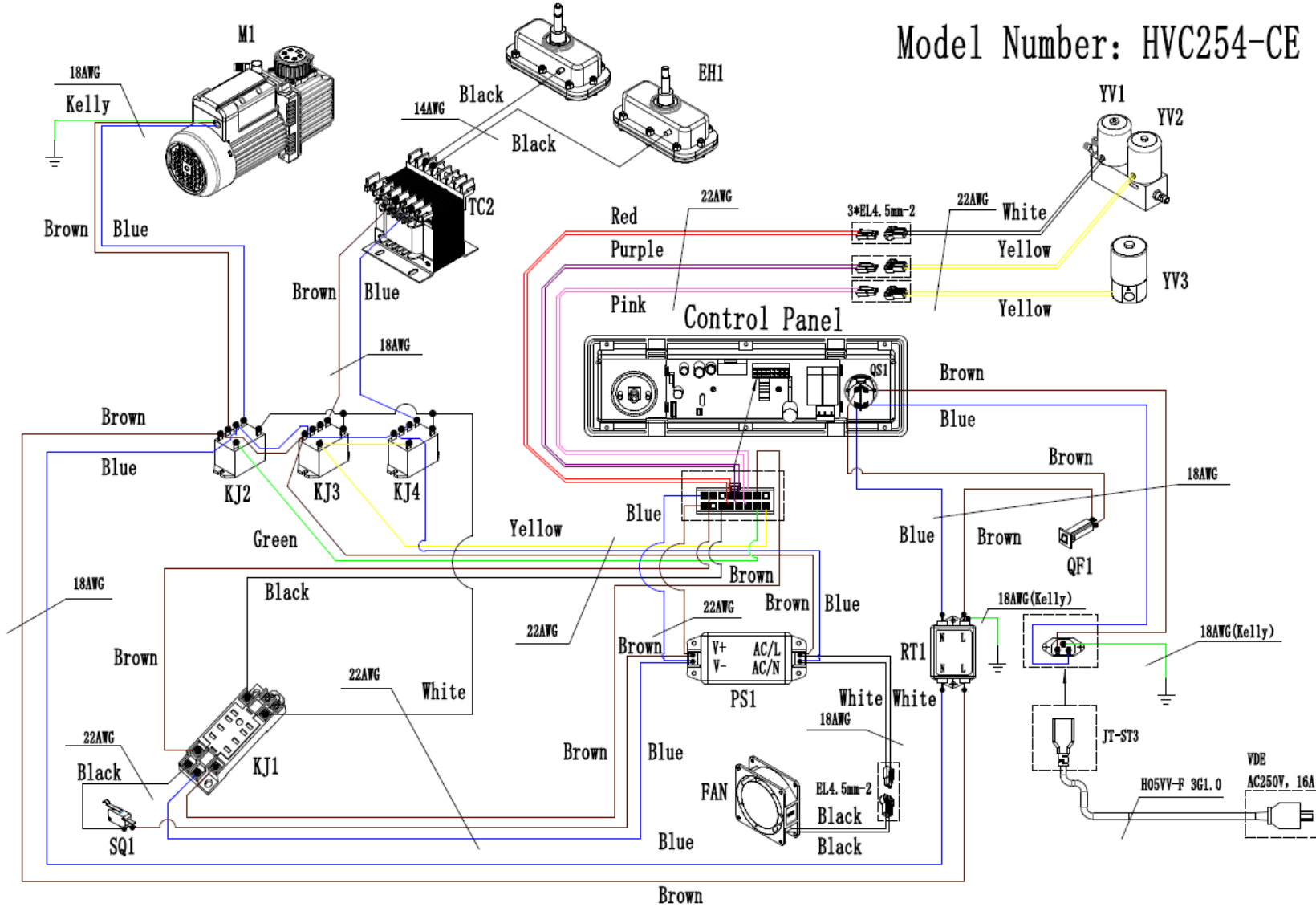
- QS1 = Push Button Switch (on panel)
- QF1 = Circuit Breaker
- PS1 = Power Supply 230Vac to 24Vdc
- SQ1 = Start Switch (presence switch for lid)
- KJ3 = Start Relay
- KJ1 = Relay to Compressor Motor
- KJ2 = Relay to Heater
- TC2 = Transformer for Heater
- YV1 = Seal Valve
- YV2 = Intake Valve
- YV3 = Soft Bleed Valve (optional)

CON1	
AC1	AC2
24-	24+
IN1	IN2
OUT1	24+
OUT2	24+
OUT3	24+
OUT4	24+
OUT5	24+

<p>Hamilton Beach 4421 Waterfront Drive Glen Allen, VA 23060</p>	Revision Description:	Production Release.				Rev. Date:	
	Request #:	DOC9271	Page:	1 of 8	Document #:	530010200	Rev:

Wiring Diagram & Pneumatic Diagram – XV03 Commercial Vacuum Sealer – 230V – Series A

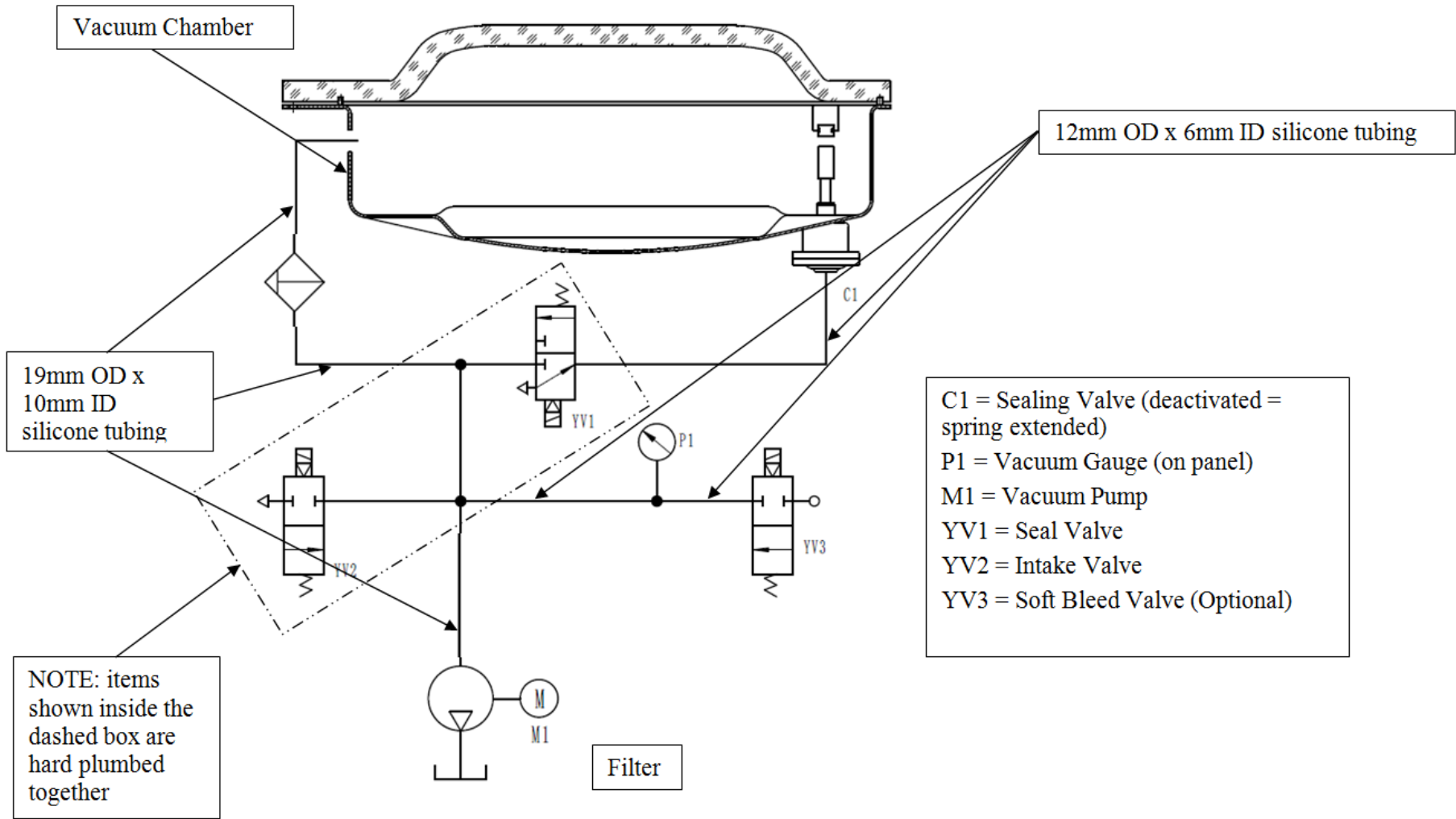
PROPRIETARY RIGHTS NOTICE This document and all information contained within it is the property of Hamilton Beach Brands, Inc. (HBB). It is confidential and proprietary and has been provided to you for a limited purpose. It must be returned or destroyed upon request. Disclosure, reproduction or use of this document and any information contained within it, in full or in part, for any purpose is forbidden without the prior written consent of HBB. No photographs may be taken of any article fabricated or assembled from this document without the prior written consent of HBB.



Hamilton Beach 4421 Waterfront Drive Glen Allen, VA 23060	Revision Description:	Production Release.			Rev. Date:
	Request #:	DOC9271	Page:	2 of 8	Document #: 530010200
					Rev: A

Wiring Diagram & Pneumatic Diagram – XV03 Commercial Vacuum Sealer – 230V – Series A

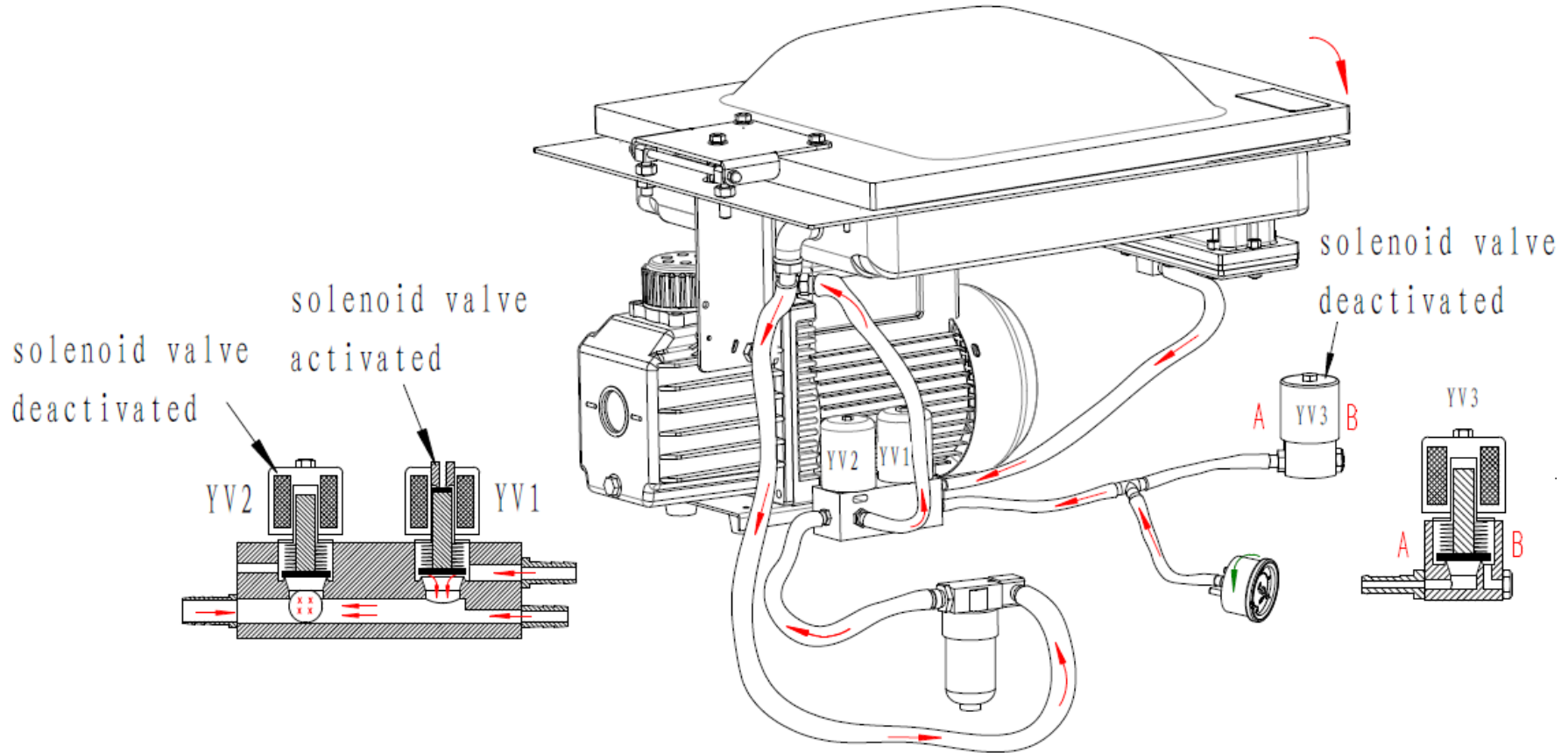
PROPRIETARY RIGHTS NOTICE This document and all information contained within it is the property of Hamilton Beach Brands, Inc. (HBB). It is confidential and proprietary and has been provided to you for a limited purpose. It must be returned or destroyed upon request. Disclosure, reproduction or use of this document and any information contained within it, in full or in part, for any purpose is forbidden without the prior written consent of HBB. No photographs may be taken of any article fabricated or assembled from this document without the prior written consent of HBB.



4421 Waterfront Drive Glen Allen, VA 23060	Revision Description:	Production Release.				Rev. Date:	
	Request #:	DOC9271	Page:	3 of 8	Document #:	530010200	Rev: A

Wiring Diagram & Pneumatic Diagram – XV03 Commercial Vacuum Sealer – 230V – Series A

PROPRIETARY RIGHTS NOTICE This document and all information contained within it is the property of Hamilton Beach Brands, Inc. (HBB). It is confidential and proprietary and has been provided to you for a limited purpose. It must be returned or destroyed upon request. Disclosure, reproduction or use of this document and any information contained within it, in full or in part, for any purpose is forbidden without the prior written consent of HBB. No photographs may be taken of any article fabricated or assembled from this document without the prior written consent of HBB.

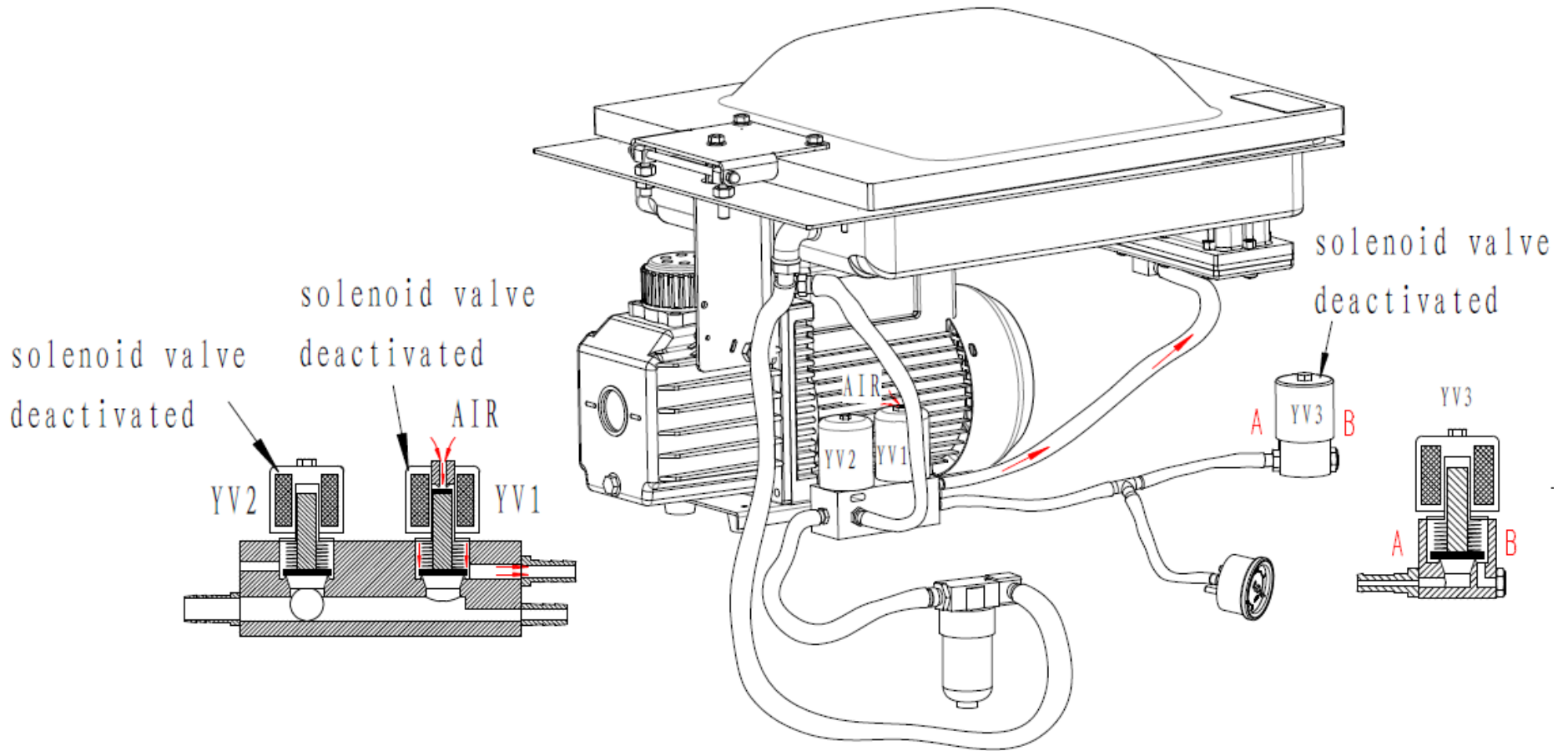


VACUUM CYCLE

4421 Waterfront Drive Glen Allen, VA 23060	Revision Description:	Production Release.				Rev. Date:	
	Request #:	DOC9271	Page:	4 of 8	Document #:	530010200	Rev:

Wiring Diagram & Pneumatic Diagram – XV03 Commercial Vacuum Sealer – 230V – Series A

PROPRIETARY RIGHTS NOTICE This document and all information contained within it is the property of Hamilton Beach Brands, Inc. (HBB). It is confidential and proprietary and has been provided to you for a limited purpose. It must be returned or destroyed upon request. Disclosure, reproduction or use of this document and any information contained within it, in full or in part, for any purpose is forbidden without the prior written consent of HBB. No photographs may be taken of any article fabricated or assembled from this document without the prior written consent of HBB.

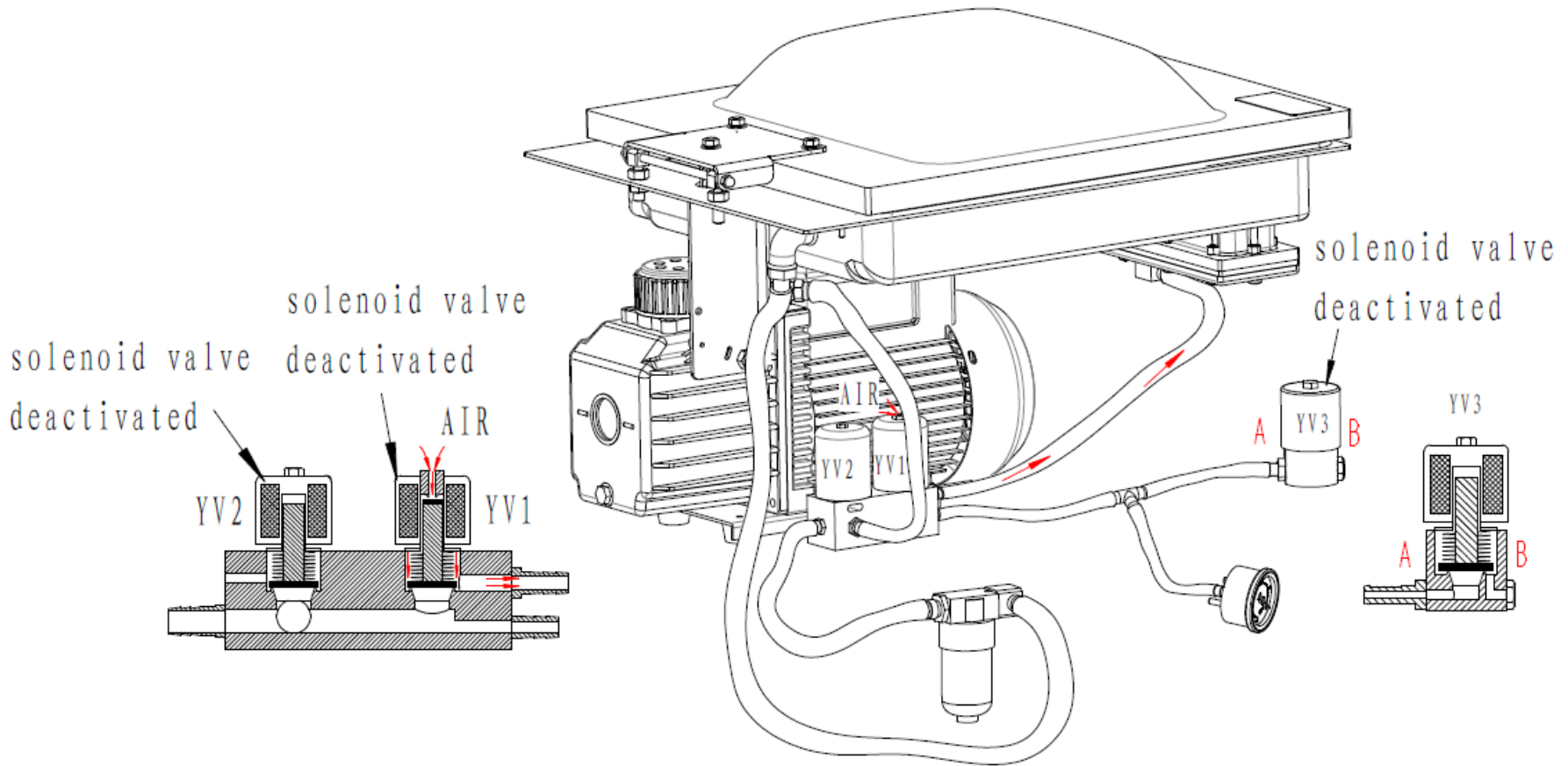


SEALING CYCLE

4421 Waterfront Drive Glen Allen, VA 23060	Revision Description:	Production Release.				Rev. Date:	
	Request #:	DOC9271	Page:	5 of 8	Document #:	530010200	Rev:

Wiring Diagram & Pneumatic Diagram – XV03 Commercial Vacuum Sealer – 230V – Series A

PROPRIETARY RIGHTS NOTICE This document and all information contained within it is the property of Hamilton Beach Brands, Inc. (HBB). It is confidential and proprietary and has been provided to you for a limited purpose. It must be returned or destroyed upon request. Disclosure, reproduction or use of this document and any information contained within it, in full or in part, for any purpose is forbidden without the prior written consent of HBB. No photographs may be taken of any article fabricated or assembled from this document without the prior written consent of HBB.

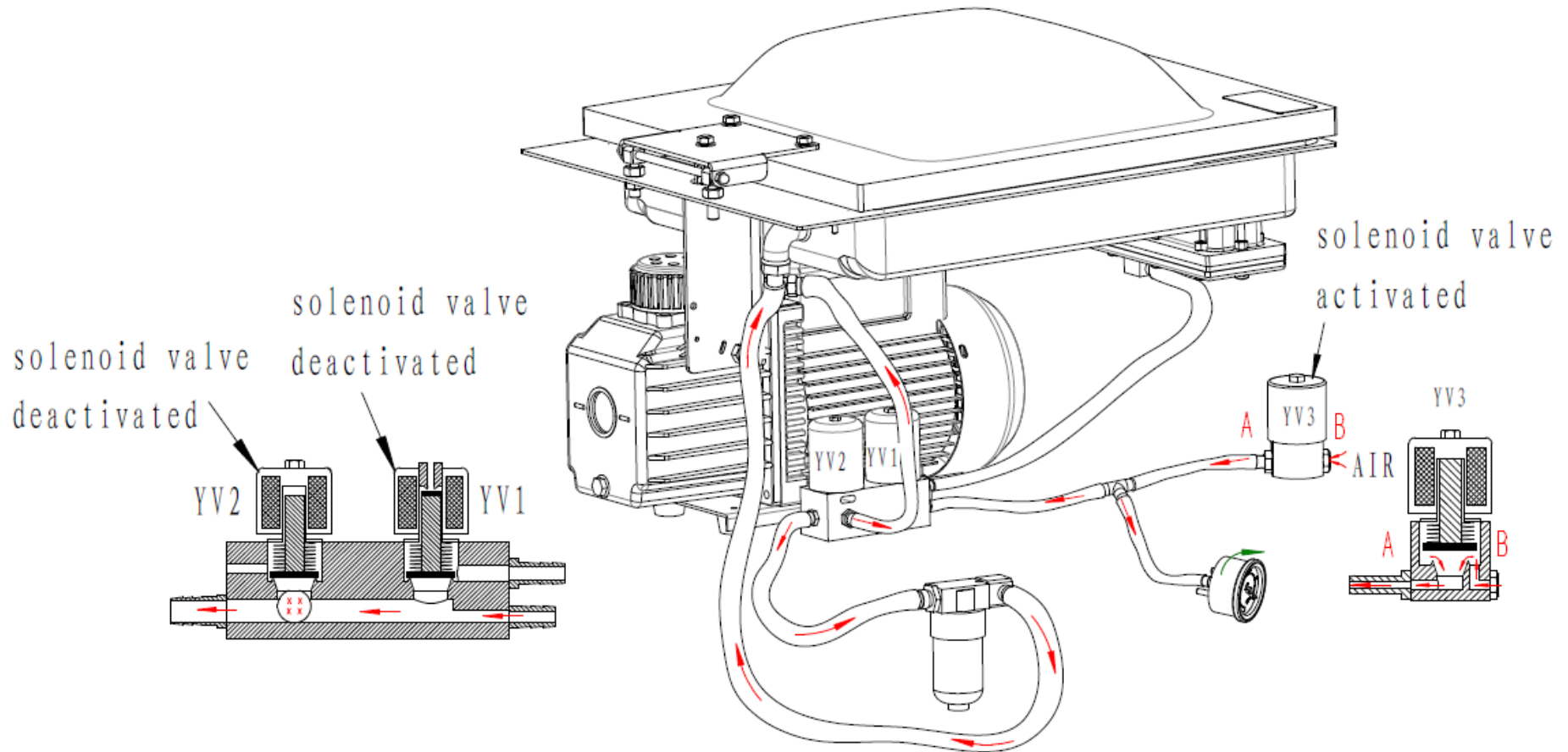


COOLING CYCLE

4421 Waterfront Drive Glen Allen, VA 23060	Revision	Production Release.				Rev. Date:
	Description:					10/5/2018
Request #:	DOC9271	Page:	6 of 8	Document #:	530010200	Rev: A

Wiring Diagram & Pneumatic Diagram – XV03 Commercial Vacuum Sealer – 230V – Series A

PROPRIETARY RIGHTS NOTICE This document and all information contained within it is the property of Hamilton Beach Brands, Inc. (HBB). It is confidential and proprietary and has been provided to you for a limited purpose. It must be returned or destroyed upon request. Disclosure, reproduction or use of this document and any information contained within it, in full or in part, for any purpose is forbidden without the prior written consent of HBB. No photographs may be taken of any article fabricated or assembled from this document without the prior written consent of HBB.

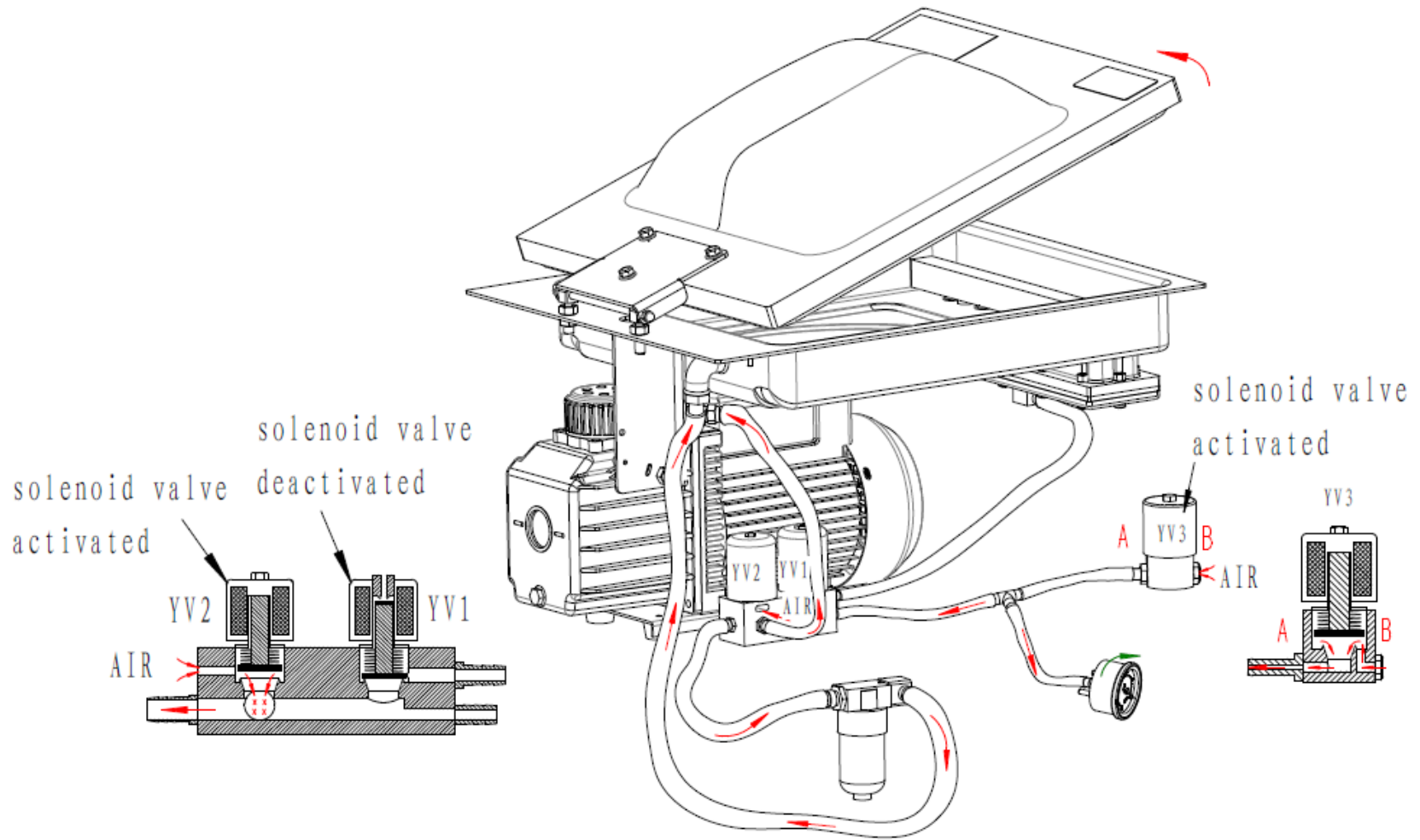


SOFT AIR CYCLE


4421 Waterfront Drive Glen Allen, VA 23060	Revision Description:	Production Release.				Rev. Date:
	Request #:	DOC9271	Page:	7 of 8	Document #:	530010200

Wiring Diagram & Pneumatic Diagram – XV03 Commercial Vacuum Sealer – 230V – Series A

PROPRIETARY RIGHTS NOTICE This document and all information contained within it is the property of Hamilton Beach Brands, Inc. (HBB). It is confidential and proprietary and has been provided to you for a limited purpose. It must be returned or destroyed upon request. Disclosure, reproduction or use of this document and any information contained within it, in full or in part, for any purpose is forbidden without the prior written consent of HBB. No photographs may be taken of any article fabricated or assembled from this document without the prior written consent of HBB.



SLOW RELEASE CYCLE

 4421 Waterfront Drive Glen Allen, VA 23060	Revision Description:	Production Release.				Rev. Date:
	Request #:	DOC9271	Page:	8 of 8	Document #:	530010200
						Rev: A