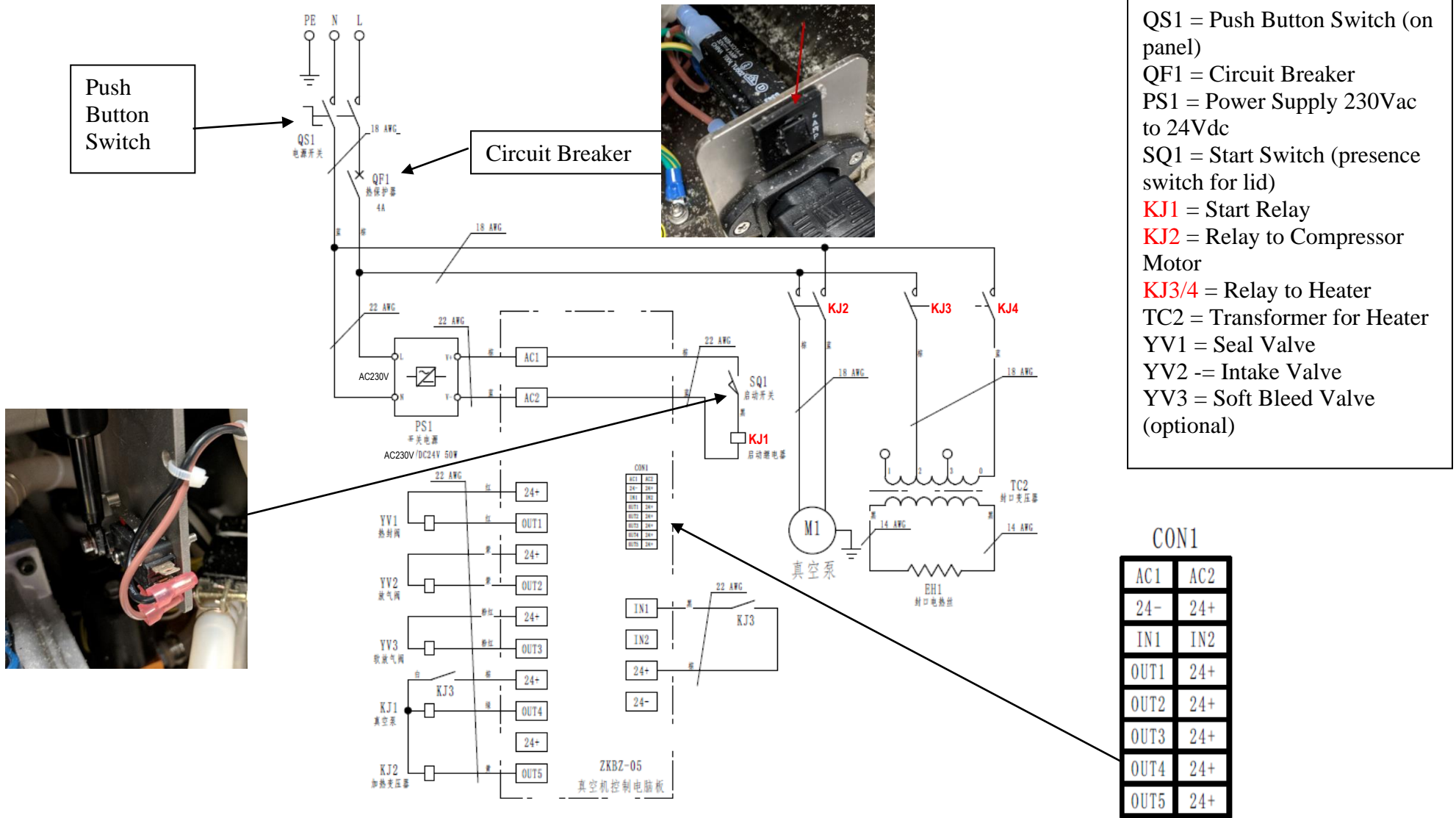


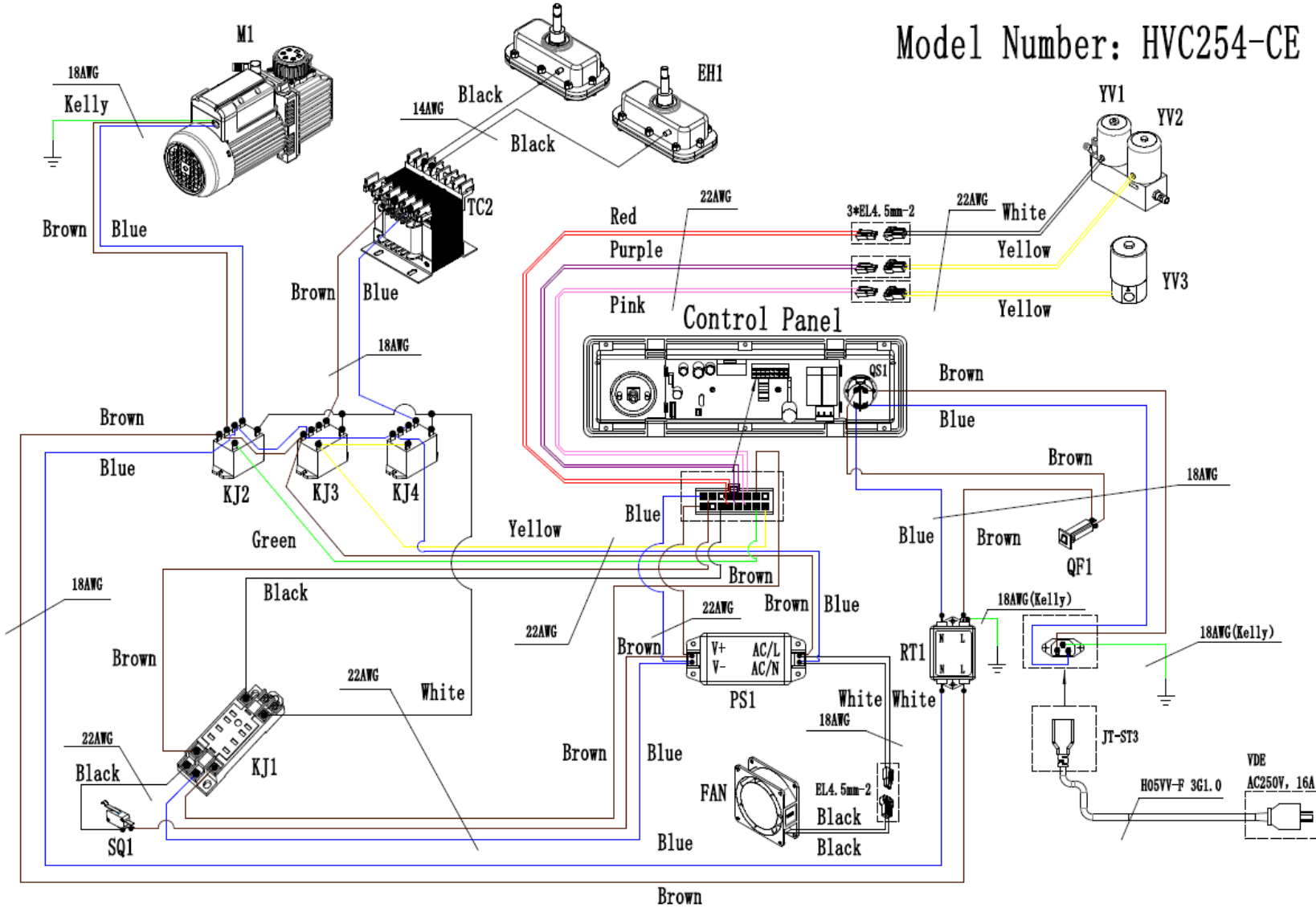
Wiring Diagram & Pneumatic Diagram – XV03 Commercial Vacuum Sealer – 230V – Series B

PROPRIETARY RIGHTS NOTICE This document and all information contained within it is the property of Hamilton Beach Brands, Inc. (HBB). It is confidential and proprietary and has been provided to you for a limited purpose. It must be returned or destroyed upon request. Disclosure, reproduction or use of this document and any information contained within it, in full or in part, for any purpose is forbidden without the prior written consent of HBB. No photographs may be taken of any article fabricated or assembled from this document without the prior written consent of HBB.



Wiring Diagram & Pneumatic Diagram – XV03 Commercial Vacuum Sealer – 230V – Series B

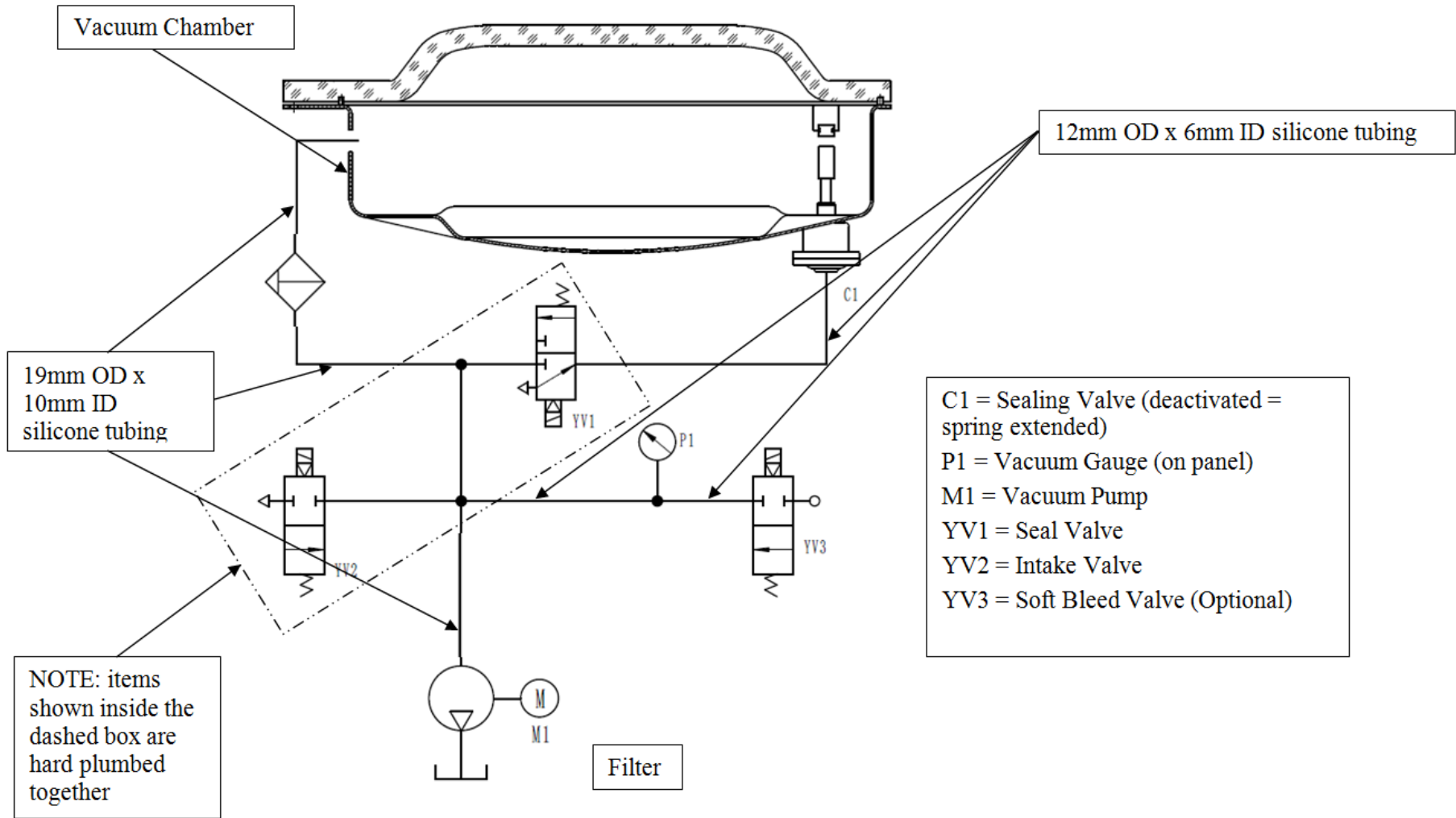
PROPRIETARY RIGHTS NOTICE This document and all information contained within it is the property of Hamilton Beach Brands, Inc. (HBB). It is confidential and proprietary and has been provided to you for a limited purpose. It must be returned or destroyed upon request. Disclosure, reproduction or use of this document and any information contained within it, in full or in part, for any purpose is forbidden without the prior written consent of HBB. No photographs may be taken of any article fabricated or assembled from this document without the prior written consent of HBB.



Hamilton Beach 4421 Waterfront Drive Glen Allen, VA 23060	Revision	Corrected labels on Relays in schematic p1				Rev. Date:
	Description:					17 Feb 2022
Request #:	DOC12460	Page:	2 of 8	Document #:	530010300	Rev: B

Wiring Diagram & Pneumatic Diagram – XV03 Commercial Vacuum Sealer – 230V – Series B

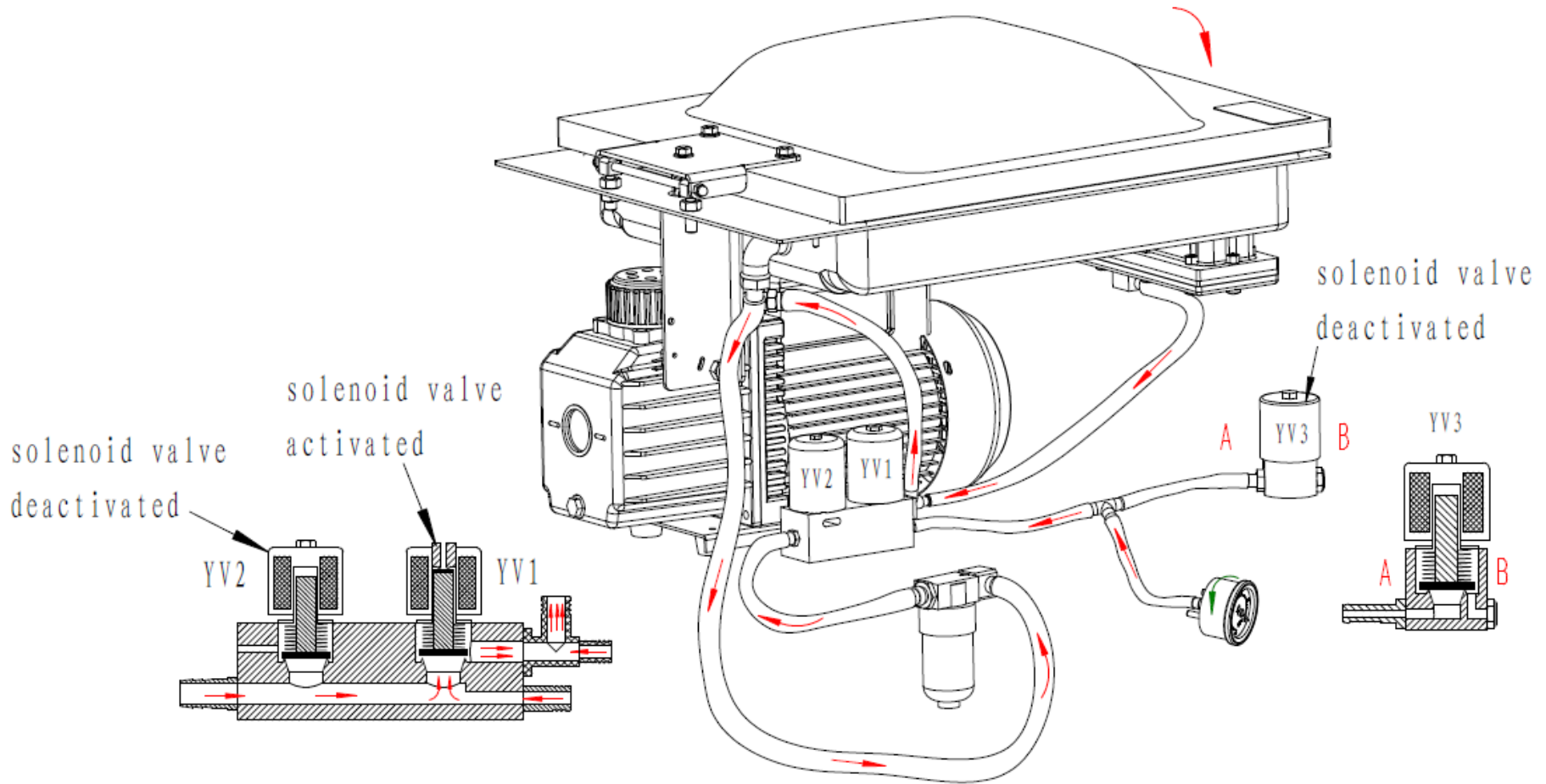
PROPRIETARY RIGHTS NOTICE This document and all information contained within it is the property of Hamilton Beach Brands, Inc. (HBB). It is confidential and proprietary and has been provided to you for a limited purpose. It must be returned or destroyed upon request. Disclosure, reproduction or use of this document and any information contained within it, in full or in part, for any purpose is forbidden without the prior written consent of HBB. No photographs may be taken of any article fabricated or assembled from this document without the prior written consent of HBB.



 4421 Waterfront Drive Glen Allen, VA 23060	Revision Description:	Corrected labels on Relays in schematic p1				Rev. Date:	
	Request #:	DOC12460	Page:	3 of 8	Document #:	530010300	Rev: B

Wiring Diagram & Pneumatic Diagram – XV03 Commercial Vacuum Sealer – 230V – Series B

PROPRIETARY RIGHTS NOTICE This document and all information contained within it is the property of Hamilton Beach Brands, Inc. (HBB). It is confidential and proprietary and has been provided to you for a limited purpose. It must be returned or destroyed upon request. Disclosure, reproduction or use of this document and any information contained within it, in full or in part, for any purpose is forbidden without the prior written consent of HBB. No photographs may be taken of any article fabricated or assembled from this document without the prior written consent of HBB.

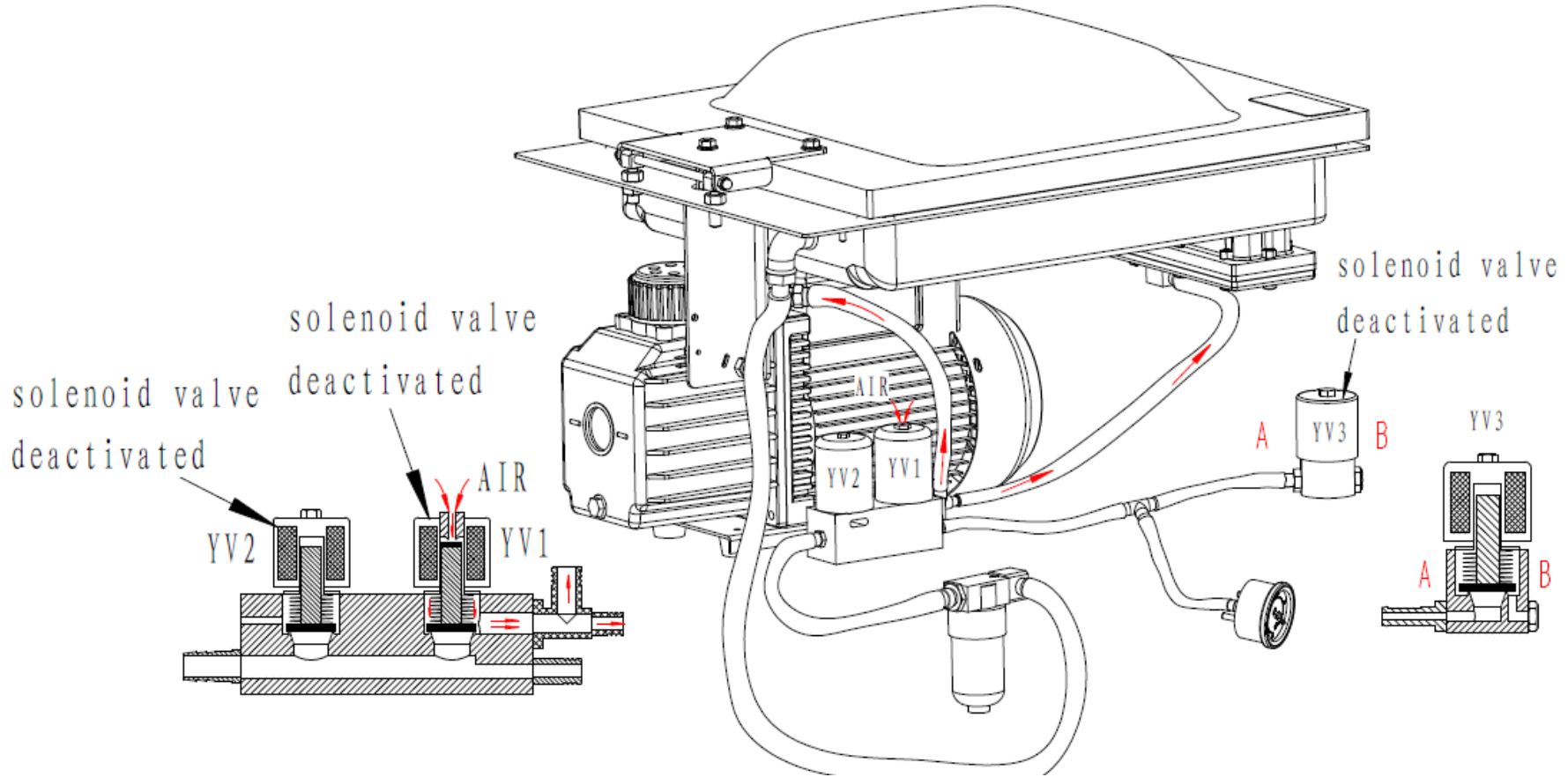


VACUUM CYCLE

4421 Waterfront Drive Glen Allen, VA 23060	Revision	Corrected labels on Relays in schematic p1				Rev. Date:	
	Description:					17 Feb 2022	
Request #:	DOC12460	Page:	4 of 8	Document #:	530010300	Rev:	B

Wiring Diagram & Pneumatic Diagram – XV03 Commercial Vacuum Sealer – 230V – Series B

PROPRIETARY RIGHTS NOTICE This document and all information contained within it is the property of Hamilton Beach Brands, Inc. (HBB). It is confidential and proprietary and has been provided to you for a limited purpose. It must be returned or destroyed upon request. Disclosure, reproduction or use of this document and any information contained within it, in full or in part, for any purpose is forbidden without the prior written consent of HBB. No photographs may be taken of any article fabricated or assembled from this document without the prior written consent of HBB.

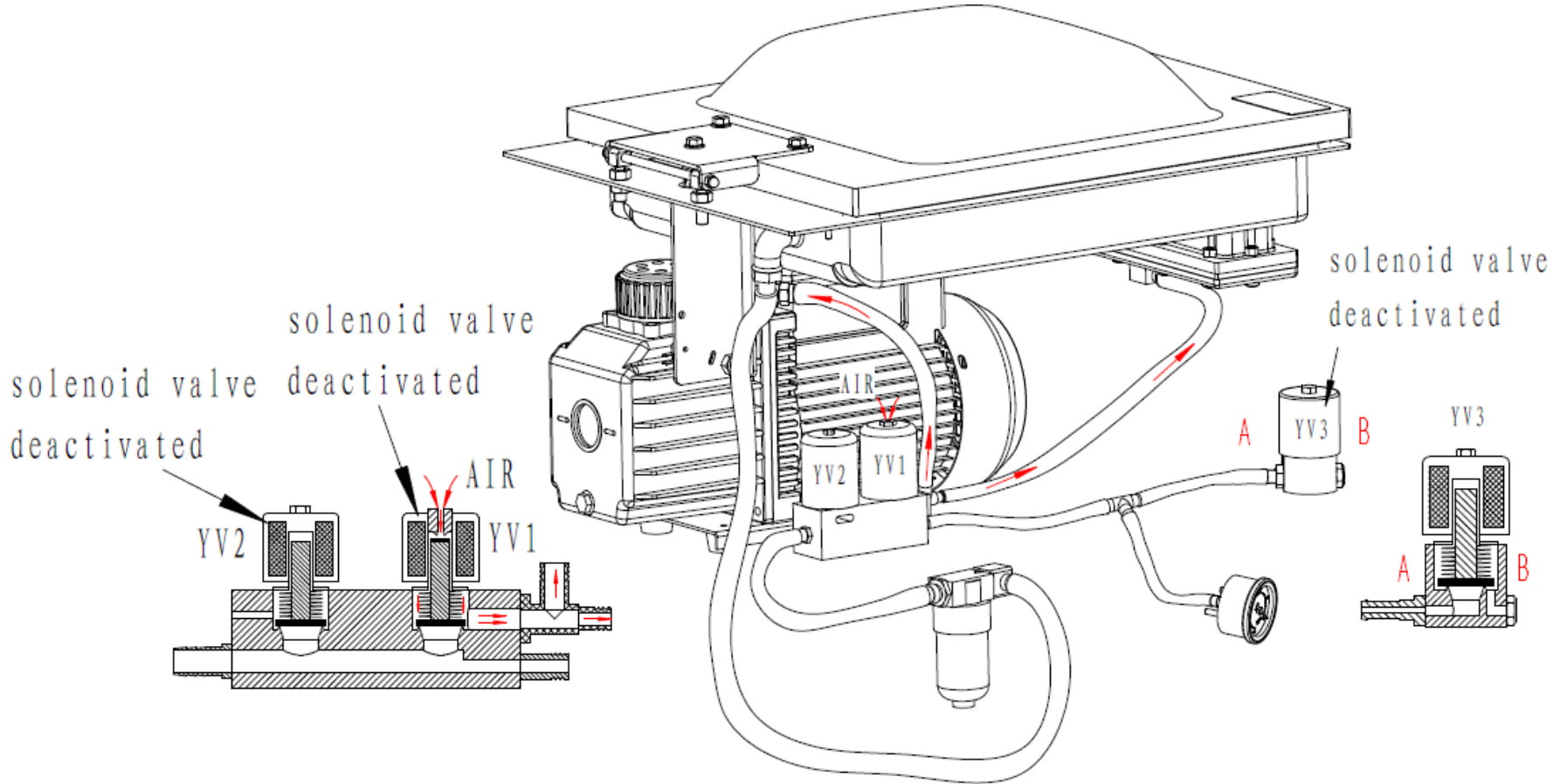


SEALING CYCLE

4421 Waterfront Drive Glen Allen, VA 23060	Revision	Corrected labels on Relays in schematic p1				Rev. Date:	
	Description:					17 Feb 2022	
Request #:	DOC12460	Page:	5 of 8	Document #:	530010300	Rev:	B

Wiring Diagram & Pneumatic Diagram – XV03 Commercial Vacuum Sealer – 230V – Series B

PROPRIETARY RIGHTS NOTICE This document and all information contained within it is the property of Hamilton Beach Brands, Inc. (HBB). It is confidential and proprietary and has been provided to you for a limited purpose. It must be returned or destroyed upon request. Disclosure, reproduction or use of this document and any information contained within it, in full or in part, for any purpose is forbidden without the prior written consent of HBB. No photographs may be taken of any article fabricated or assembled from this document without the prior written consent of HBB.

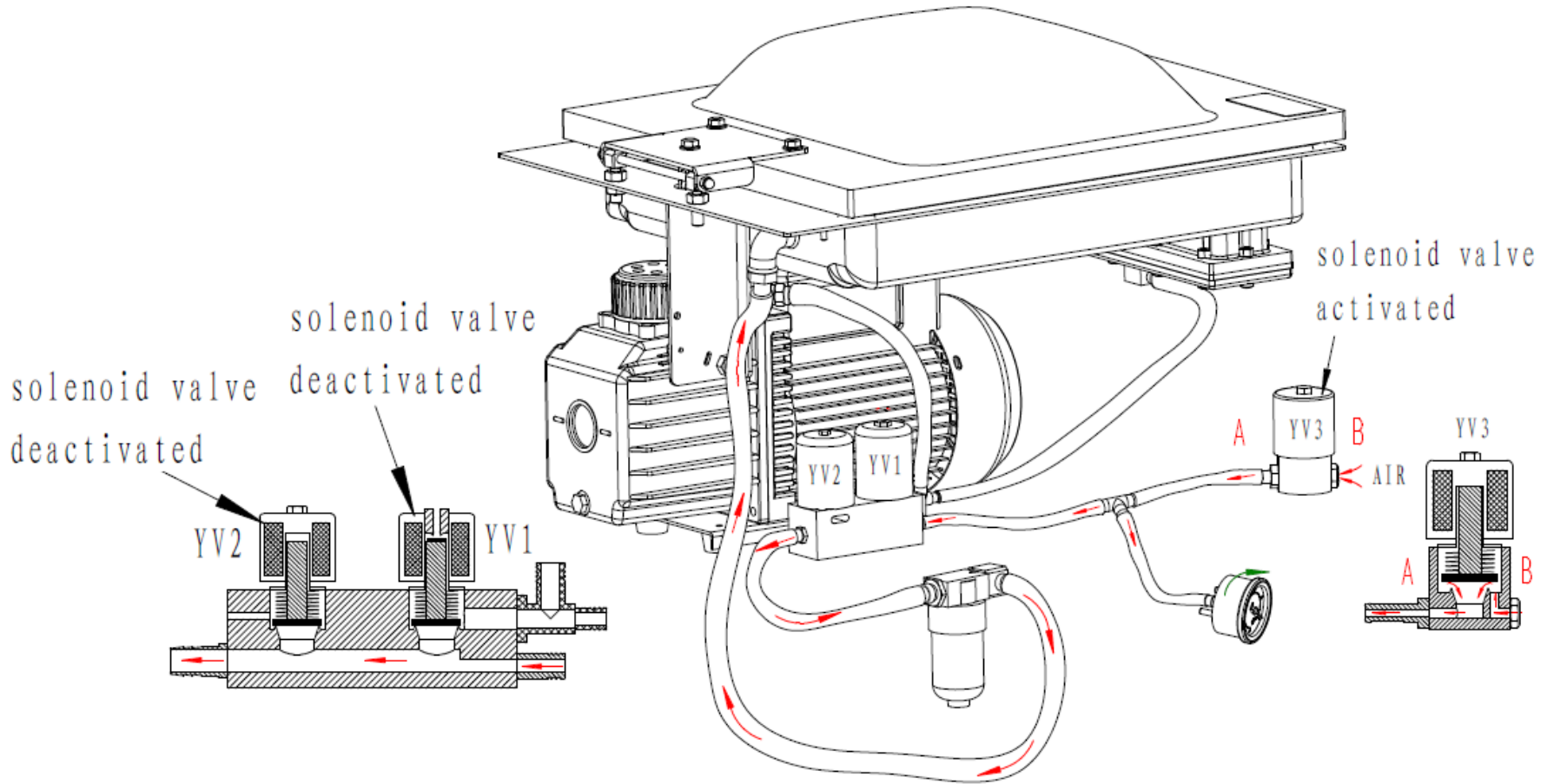


COOLING CYCLE

4421 Waterfront Drive Glen Allen, VA 23060	Revision	Corrected labels on Relays in schematic p1				Rev. Date:	
	Description:					17 Feb 2022	
Request #:	DOC12460	Page:	6 of 8	Document #:	530010300	Rev:	B

Wiring Diagram & Pneumatic Diagram – XV03 Commercial Vacuum Sealer – 230V – Series B

PROPRIETARY RIGHTS NOTICE This document and all information contained within it is the property of Hamilton Beach Brands, Inc. (HBB). It is confidential and proprietary and has been provided to you for a limited purpose. It must be returned or destroyed upon request. Disclosure, reproduction or use of this document and any information contained within it, in full or in part, for any purpose is forbidden without the prior written consent of HBB. No photographs may be taken of any article fabricated or assembled from this document without the prior written consent of HBB.

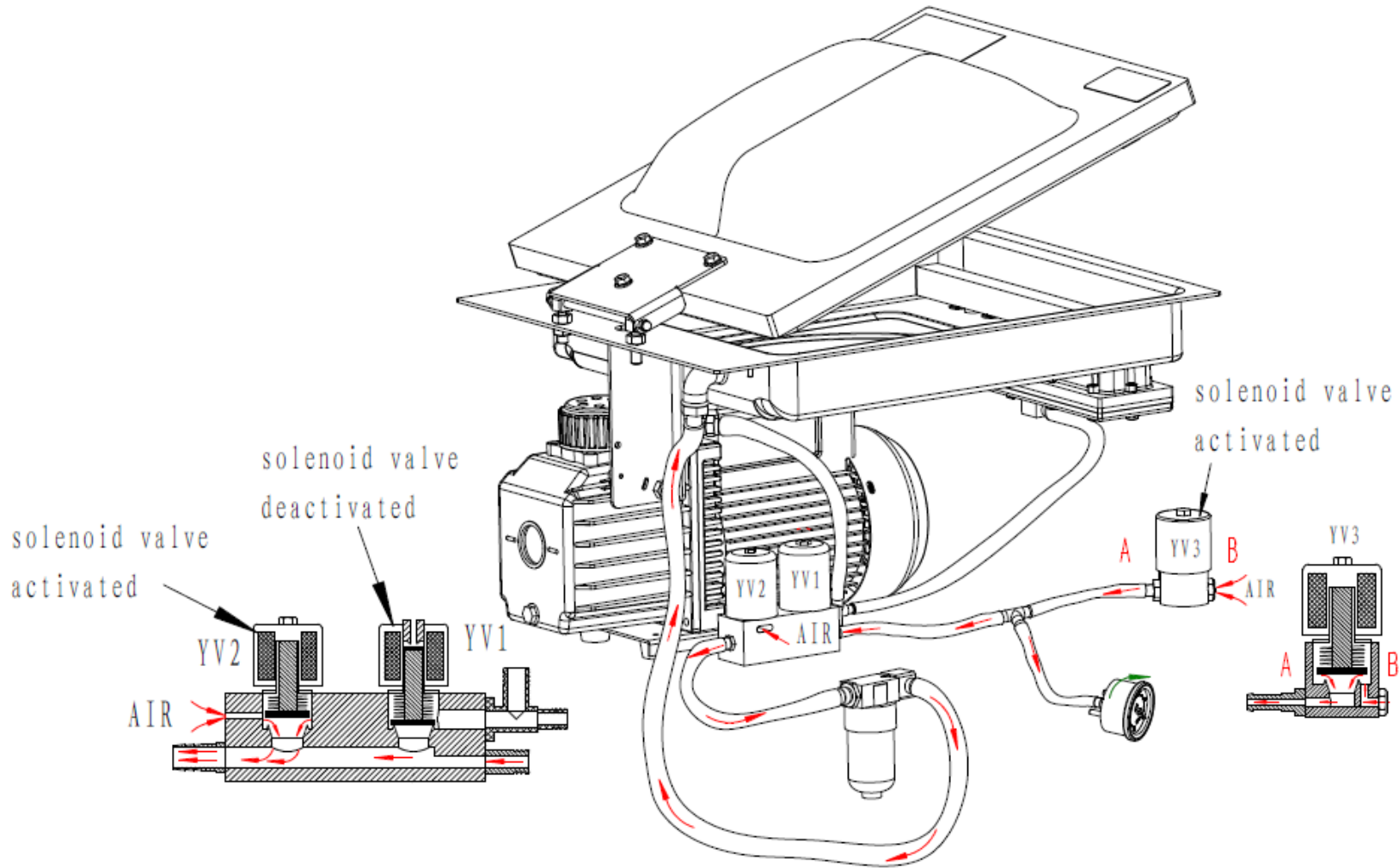


SOFT AIR CYCLE


4421 Waterfront Drive Glen Allen, VA 23060	Revision Description:	Corrected labels on Relays in schematic p1				Rev. Date:	
	Request #:	DOC12460	Page:	7 of 8	Document #:	530010300	Rev:

Wiring Diagram & Pneumatic Diagram – XV03 Commercial Vacuum Sealer – 230V – Series B

PROPRIETARY RIGHTS NOTICE This document and all information contained within it is the property of Hamilton Beach Brands, Inc. (HBB). It is confidential and proprietary and has been provided to you for a limited purpose. It must be returned or destroyed upon request. Disclosure, reproduction or use of this document and any information contained within it, in full or in part, for any purpose is forbidden without the prior written consent of HBB. No photographs may be taken of any article fabricated or assembled from this document without the prior written consent of HBB.



SLOW RELEASE CYCLE

 4421 Waterfront Drive Glen Allen, VA 23060	Revision Description:	Corrected labels on Relays in schematic p1				Rev. Date:	
	Request #:	DOC12460	Page:	8 of 8	Document #:	530010300	17 Feb 2022
						Rev:	B