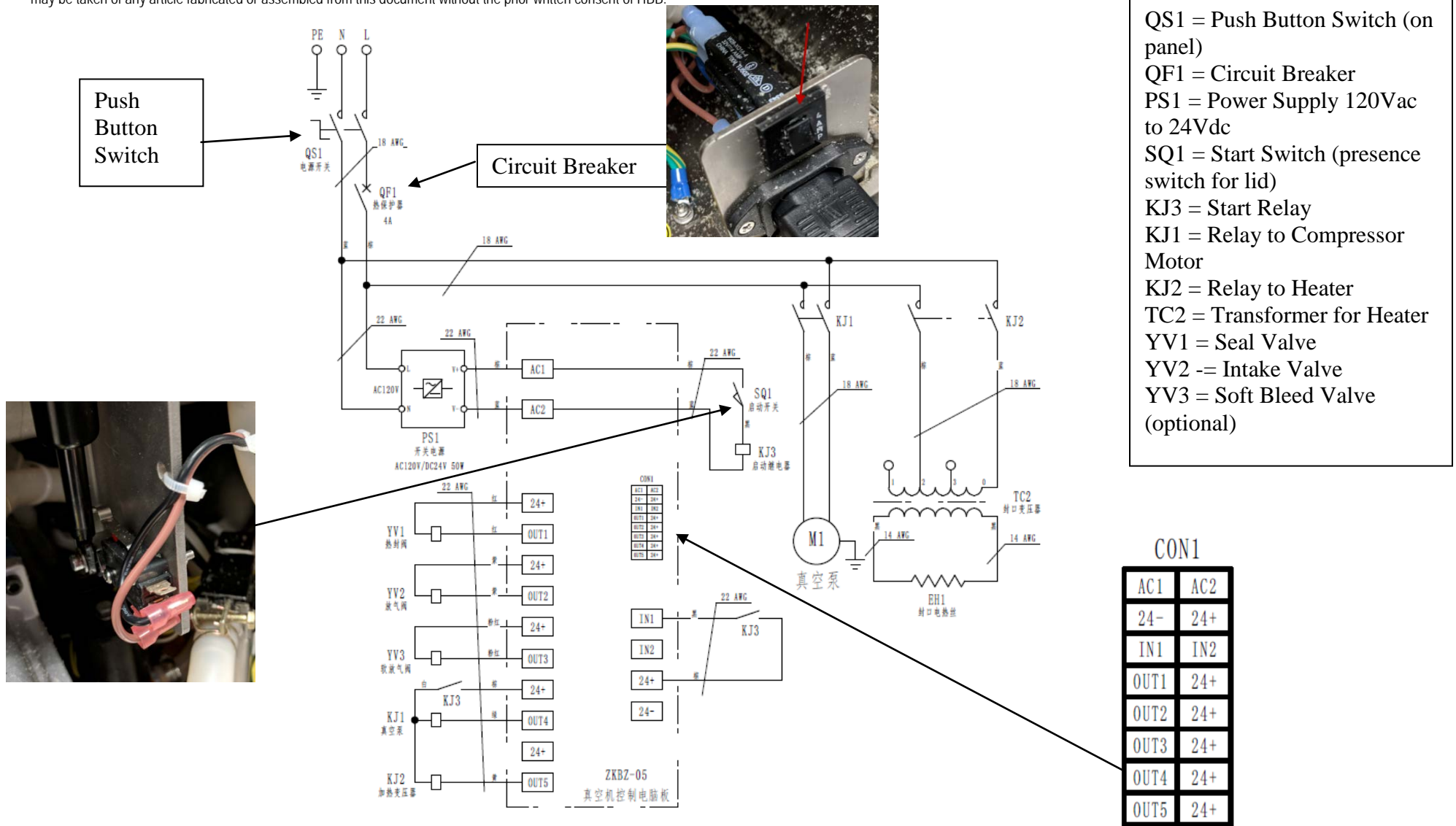


## Wiring Diagram & Pneumatic Diagram – XV04 Commercial Vacuum Sealer – 120V – Series A

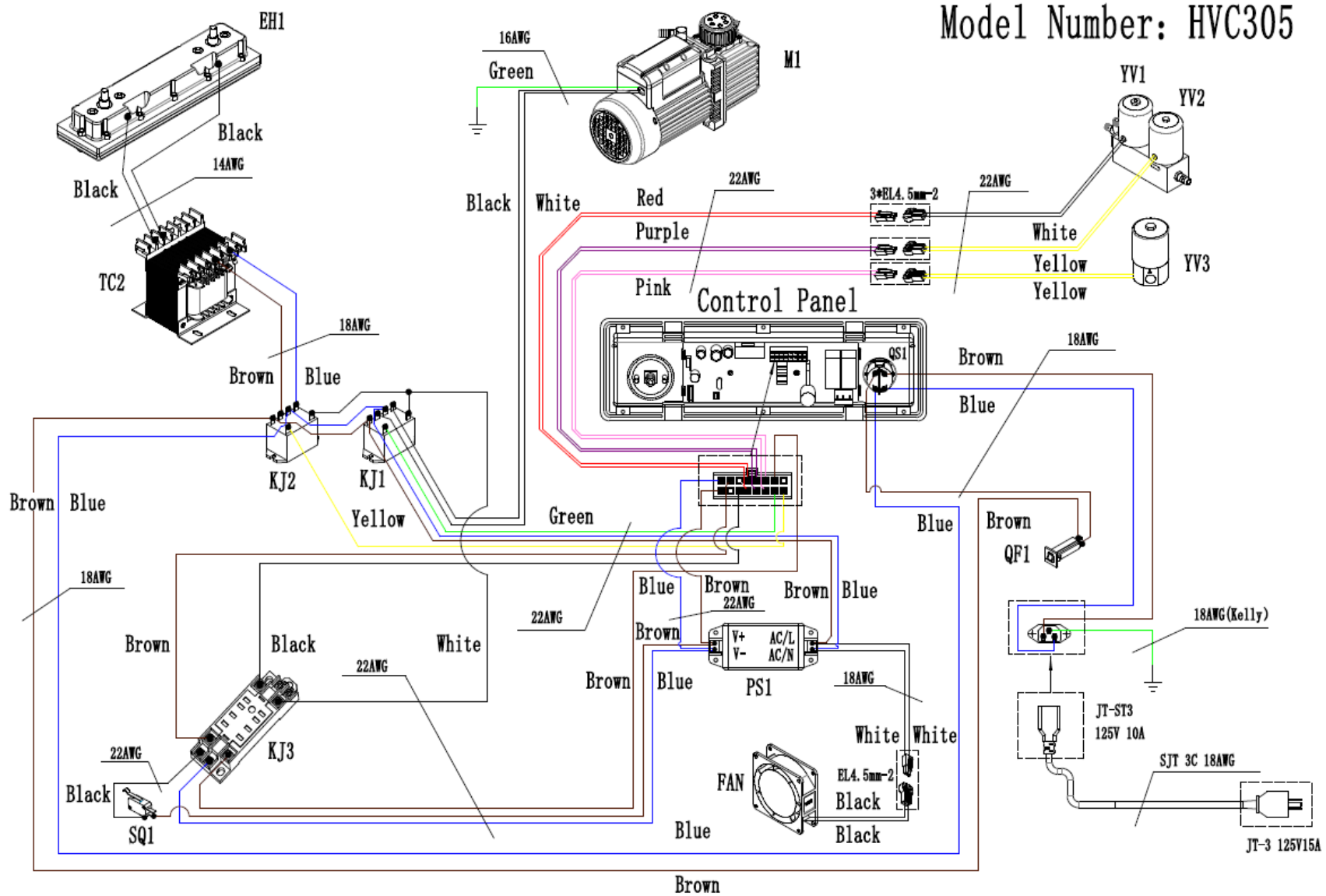
**PROPRIETARY RIGHTS NOTICE** This document and all information contained within it is the property of Hamilton Beach Brands, Inc. (HBB). It is confidential and proprietary and has been provided to you for a limited purpose. It must be returned or destroyed upon request. Disclosure, reproduction or use of this document and any information contained within it, in full or in part, for any purpose is forbidden without the prior written consent of HBB. No photographs may be taken of any article fabricated or assembled from this document without the prior written consent of HBB.



<p>Hamilton Beach 4421 Waterfront Drive Glen Allen, VA 23060</p>	Revision Description:	Production Release.				Rev. Date:		
	Request #:	DOC9283	Page:	1 of 8	Document #:	<b>530010500</b>	24 Sep 2018	
							Rev:	<b>A</b>

## Wiring Diagram & Pneumatic Diagram – XV04 Commercial Vacuum Sealer – 120V – Series A

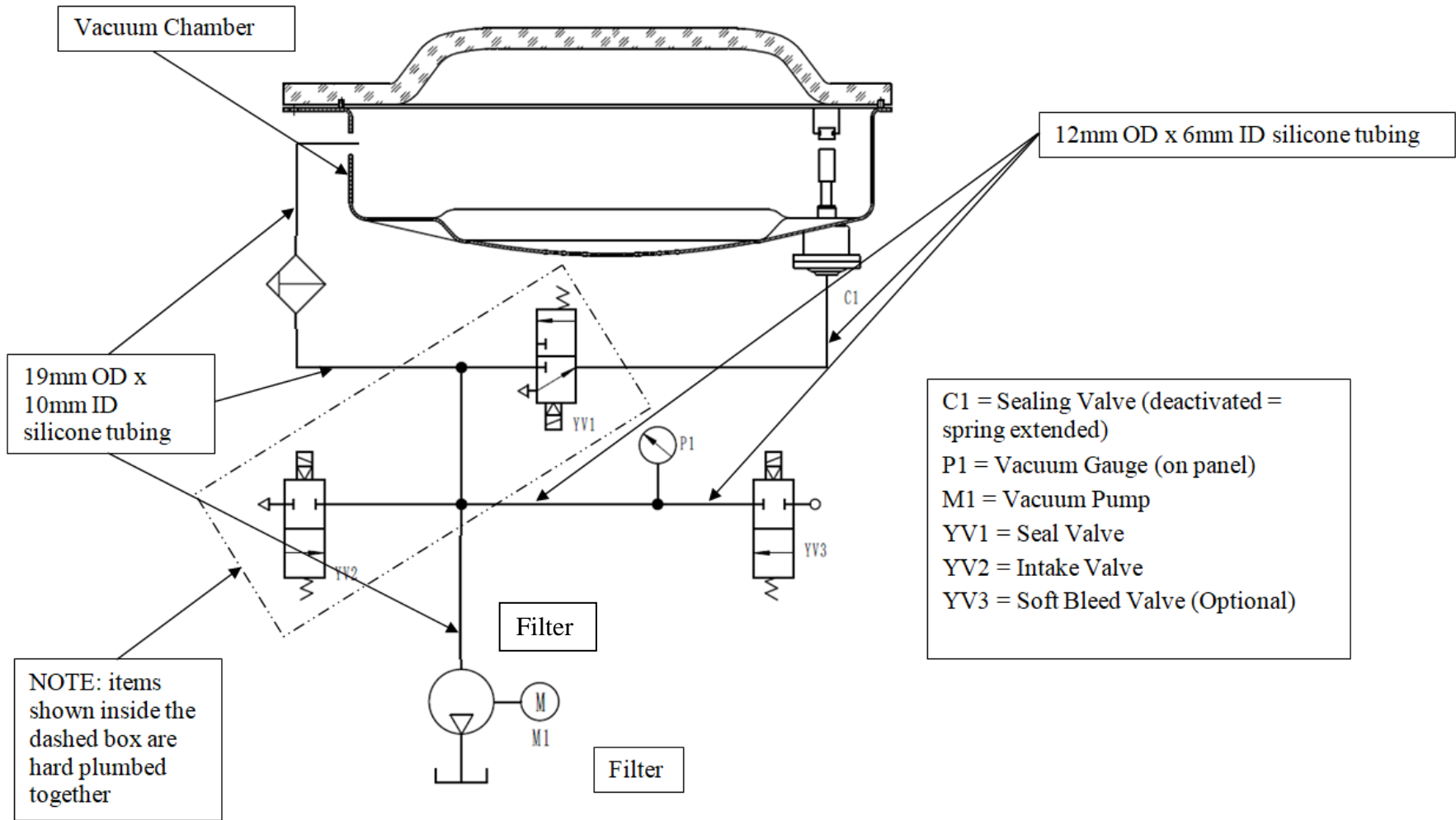
**PROPRIETARY RIGHTS NOTICE** This document and all information contained within it is the property of Hamilton Beach Brands, Inc. (HBB). It is confidential and proprietary and has been provided to you for a limited purpose. It must be returned or destroyed upon request. Disclosure, reproduction or use of this document and any information contained within it, in full or in part, for any purpose is forbidden without the prior written consent of HBB. No photographs may be taken of any article fabricated or assembled from this document without the prior written consent of HBB.




4421 Waterfront Drive Glen Allen, VA 23060	Revision Description:	Production Release.				Rev. Date:
	Request #:	DOC9283	Page:	2 of 8	Document #:	530010500
						Rev: <b>A</b>

## Wiring Diagram & Pneumatic Diagram – XV04 Commercial Vacuum Sealer – 120V – Series A

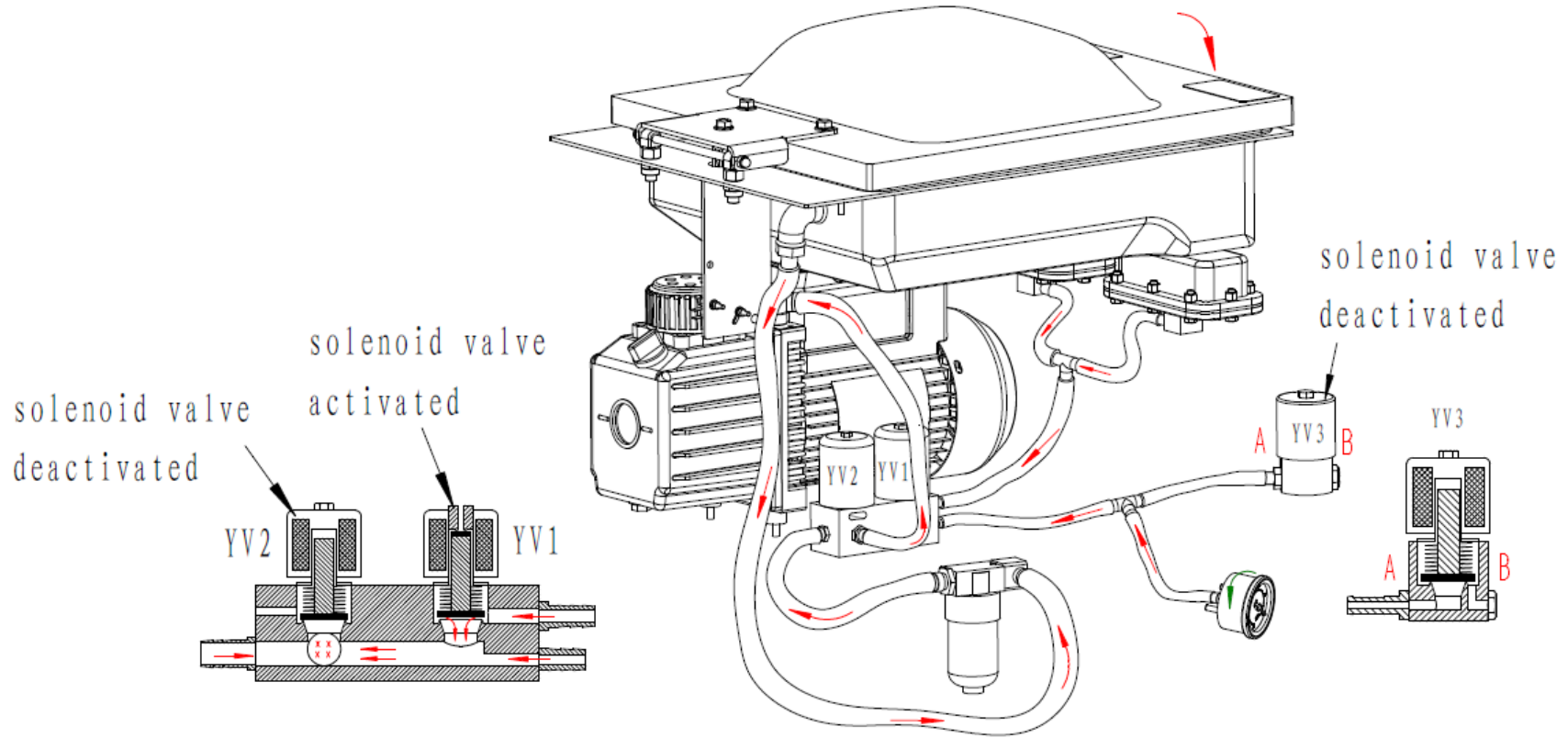
**PROPRIETARY RIGHTS NOTICE** This document and all information contained within it is the property of Hamilton Beach Brands, Inc. (HBB). It is confidential and proprietary and has been provided to you for a limited purpose. It must be returned or destroyed upon request. Disclosure, reproduction or use of this document and any information contained within it, in full or in part, for any purpose is forbidden without the prior written consent of HBB. No photographs may be taken of any article fabricated or assembled from this document without the prior written consent of HBB.



 4421 Waterfront Drive Glen Allen, VA 23060	Revision Description:	Production Release.				Rev. Date:
	Request #:	DOC9283	Page:	3 of 8	Document #:	530010500
						Rev: <b>A</b>

## Wiring Diagram & Pneumatic Diagram – XV04 Commercial Vacuum Sealer – 120V – Series A

**PROPRIETARY RIGHTS NOTICE** This document and all information contained within it is the property of Hamilton Beach Brands, Inc. (HBB). It is confidential and proprietary and has been provided to you for a limited purpose. It must be returned or destroyed upon request. Disclosure, reproduction or use of this document and any information contained within it, in full or in part, for any purpose is forbidden without the prior written consent of HBB. No photographs may be taken of any article fabricated or assembled from this document without the prior written consent of HBB.

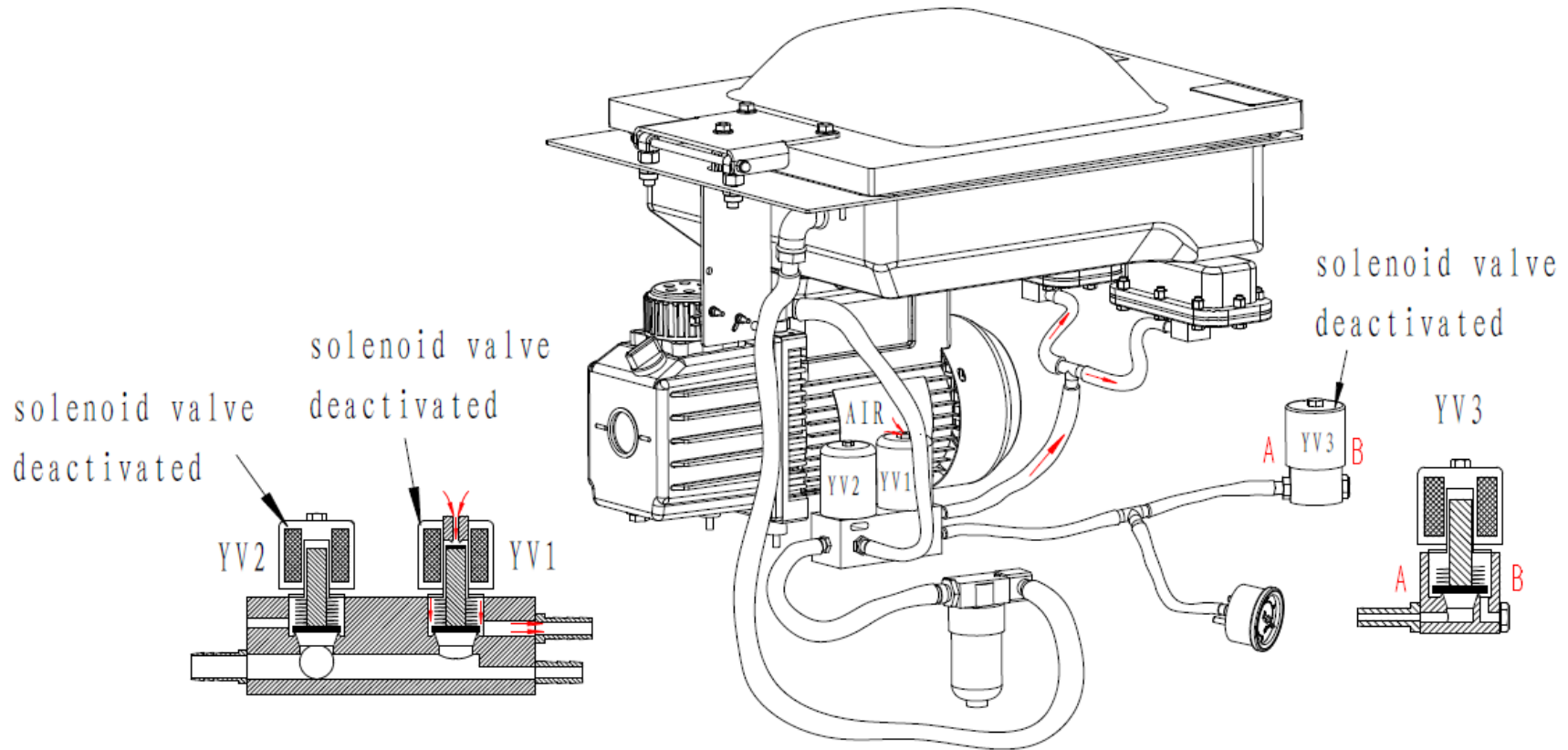


**VACUUM CYCLE**

4421 Waterfront Drive Glen Allen, VA 23060	Revision Description:	Production Release.				Rev. Date:	
	Request #:	DOC9283	Page:	4 of 8	Document #:	530010500	Rev:

## Wiring Diagram & Pneumatic Diagram – XV04 Commercial Vacuum Sealer – 120V – Series A

**PROPRIETARY RIGHTS NOTICE** This document and all information contained within it is the property of Hamilton Beach Brands, Inc. (HBB). It is confidential and proprietary and has been provided to you for a limited purpose. It must be returned or destroyed upon request. Disclosure, reproduction or use of this document and any information contained within it, in full or in part, for any purpose is forbidden without the prior written consent of HBB. No photographs may be taken of any article fabricated or assembled from this document without the prior written consent of HBB.

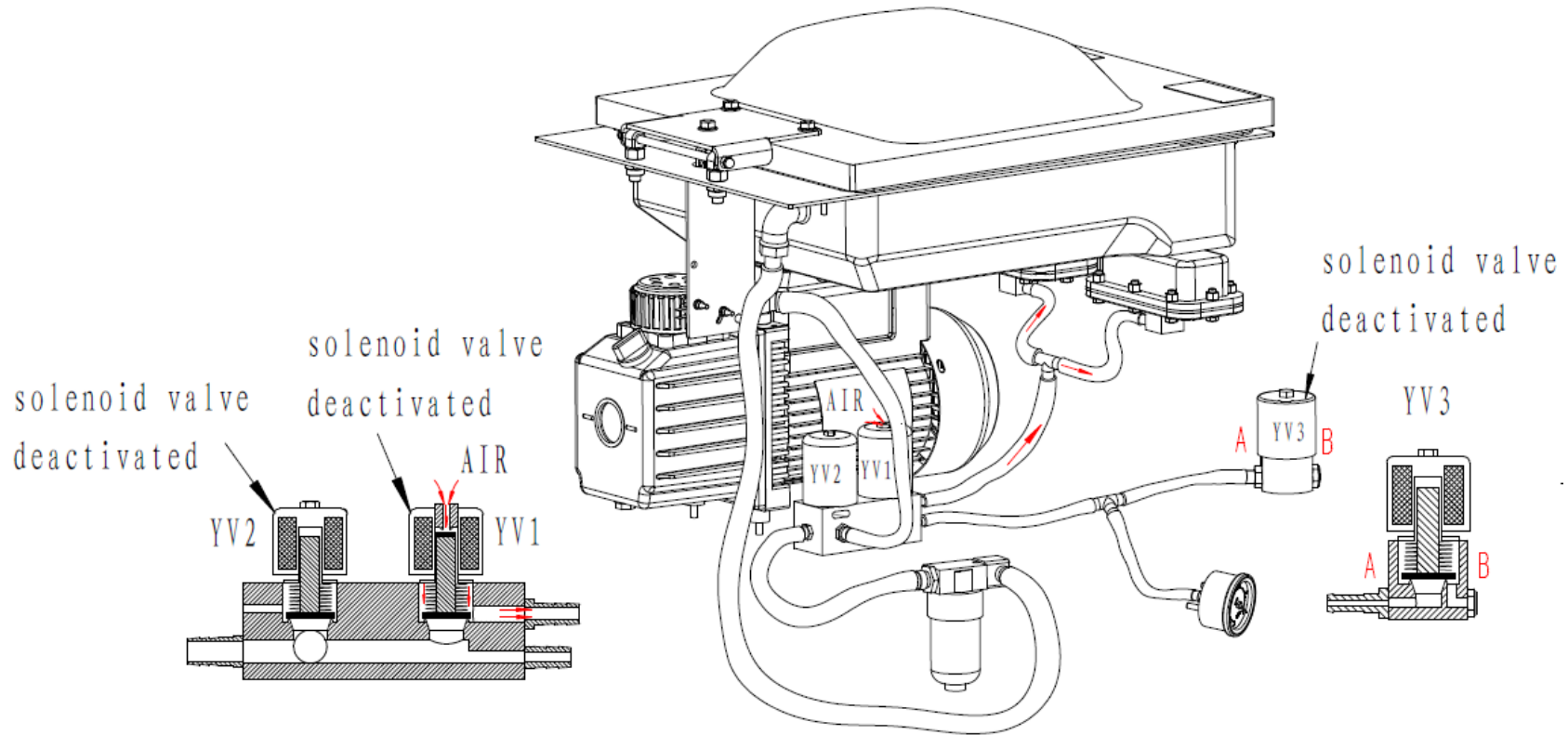



### SEALING CYCLE

4421 Waterfront Drive Glen Allen, VA 23060	Revision Description:	Production Release.				Rev. Date:	
	Request #:	DOC9283	Page:	5 of 8	Document #:	530010500	24 Sep 2018
						Rev:	<b>A</b>

## Wiring Diagram & Pneumatic Diagram – XV04 Commercial Vacuum Sealer – 120V – Series A

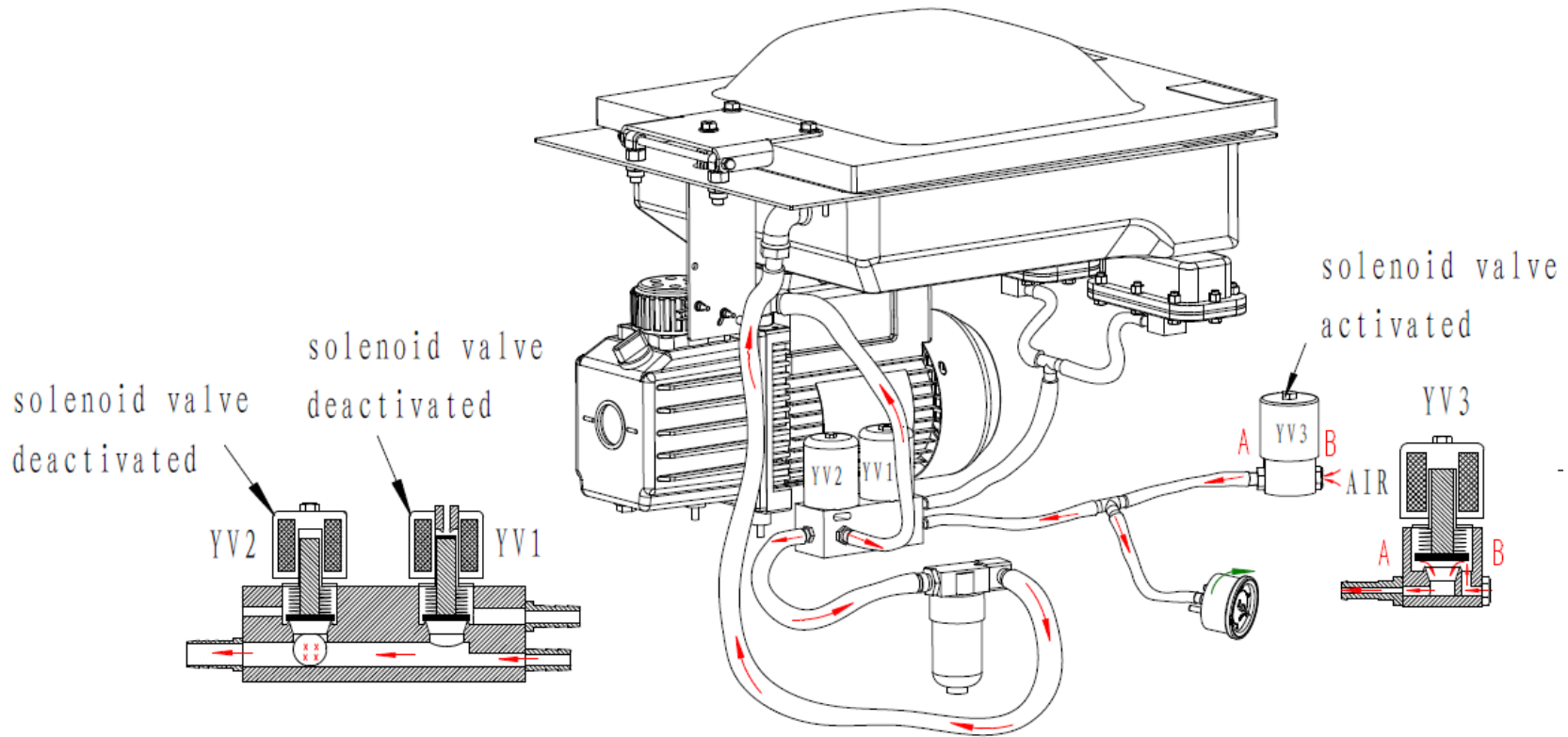
**PROPRIETARY RIGHTS NOTICE** This document and all information contained within it is the property of Hamilton Beach Brands, Inc. (HBB). It is confidential and proprietary and has been provided to you for a limited purpose. It must be returned or destroyed upon request. Disclosure, reproduction or use of this document and any information contained within it, in full or in part, for any purpose is forbidden without the prior written consent of HBB. No photographs may be taken of any article fabricated or assembled from this document without the prior written consent of HBB.



 4421 Waterfront Drive Glen Allen, VA 23060	Revision Description:	Production Release.				Rev. Date:	
	Request #:	DOC9283	Page:	6 of 8	Document #:	530010500	24 Sep 2018
							Rev: <b>A</b>

## Wiring Diagram & Pneumatic Diagram – XV04 Commercial Vacuum Sealer – 120V – Series A

**PROPRIETARY RIGHTS NOTICE** This document and all information contained within it is the property of Hamilton Beach Brands, Inc. (HBB). It is confidential and proprietary and has been provided to you for a limited purpose. It must be returned or destroyed upon request. Disclosure, reproduction or use of this document and any information contained within it, in full or in part, for any purpose is forbidden without the prior written consent of HBB. No photographs may be taken of any article fabricated or assembled from this document without the prior written consent of HBB.

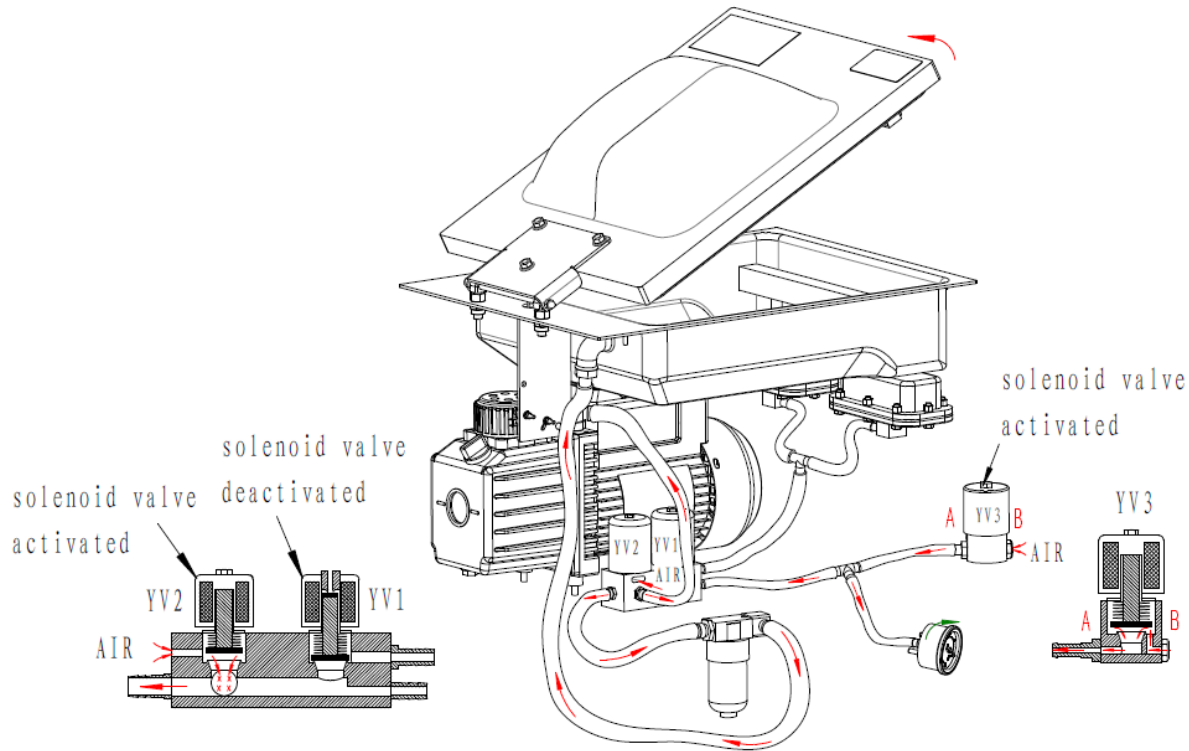


**SOFT AIR CYCLE**

4421 Waterfront Drive Glen Allen, VA 23060	Revision Description:	Production Release.				Rev. Date:	
	Request #:	DOC9283	Page:	7 of 8	Document #:	530010500	Rev:

## Wiring Diagram & Pneumatic Diagram – XV04 Commercial Vacuum Sealer – 120V – Series A

**PROPRIETARY RIGHTS NOTICE** This document and all information contained within it is the property of Hamilton Beach Brands, Inc. (HBB). It is confidential and proprietary and has been provided to you for a limited purpose. It must be returned or destroyed upon request. Disclosure, reproduction or use of this document and any information contained within it, in full or in part, for any purpose is forbidden without the prior written consent of HBB. No photographs may be taken of any article fabricated or assembled from this document without the prior written consent of HBB.



**SLOW RELEASE CYCLE**

4421 Waterfront Drive Glen Allen, VA 23060	Revision Description:	Production Release.					Rev. Date:	
	Request #:	DOC9283	Page:	8 of 8	Document #:	<b>530010500</b>	Rev:	<b>A</b>