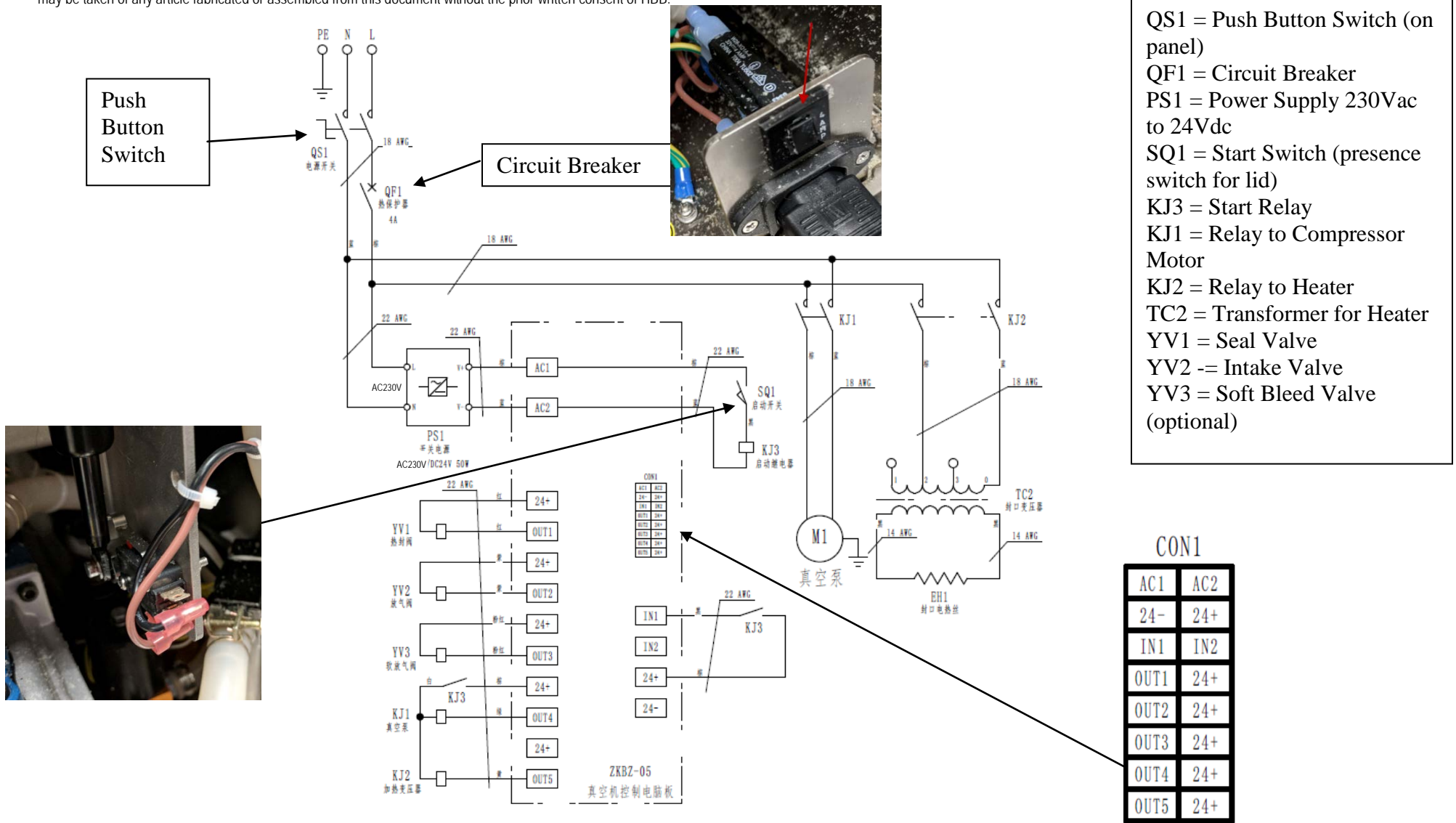


Wiring Diagram & Pneumatic Diagram – XV04 Commercial Vacuum Sealer – 230V – Series A

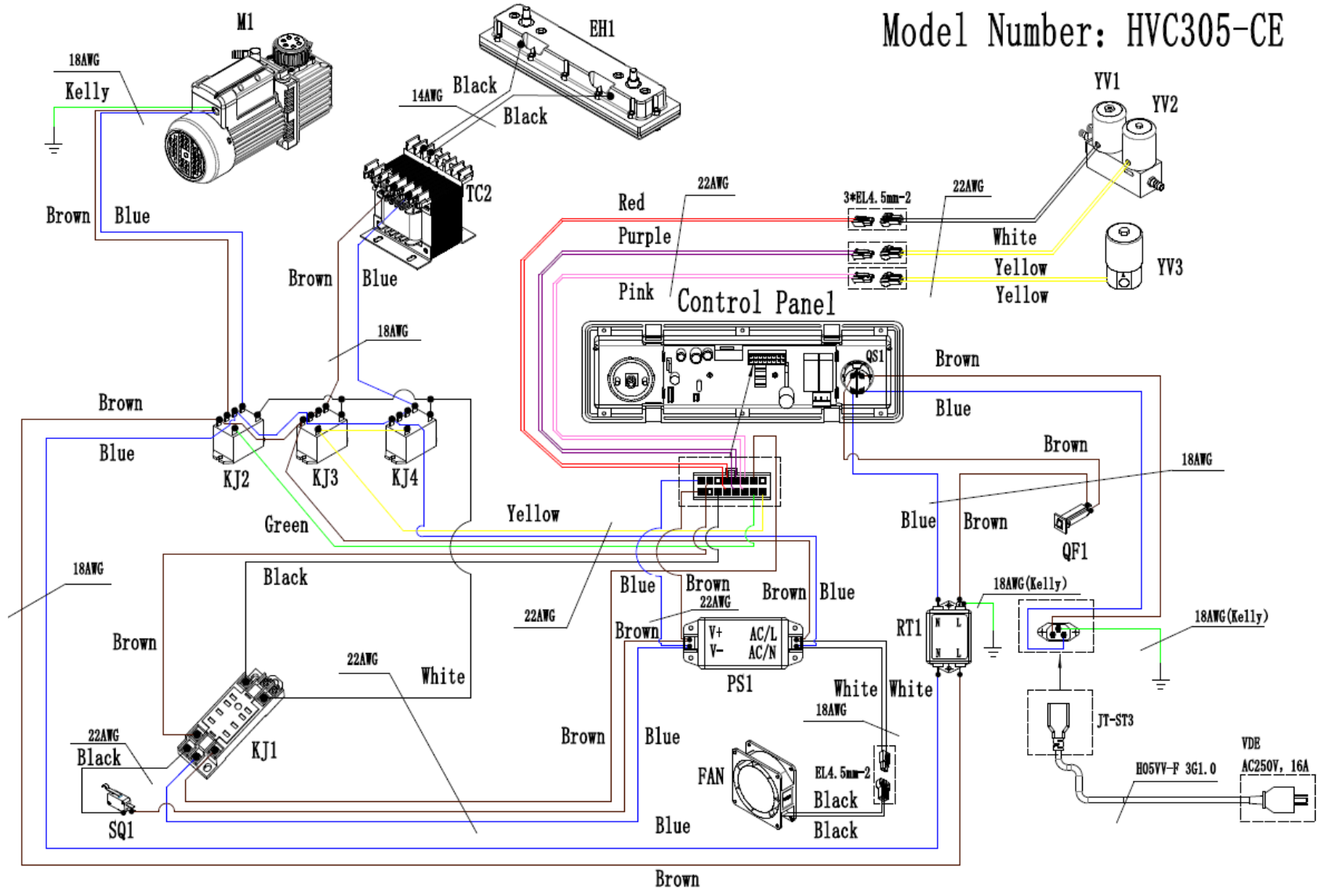
PROPRIETARY RIGHTS NOTICE This document and all information contained within it is the property of Hamilton Beach Brands, Inc. (HBB). It is confidential and proprietary and has been provided to you for a limited purpose. It must be returned or destroyed upon request. Disclosure, reproduction or use of this document and any information contained within it, in full or in part, for any purpose is forbidden without the prior written consent of HBB. No photographs may be taken of any article fabricated or assembled from this document without the prior written consent of HBB.



Wiring Diagram & Pneumatic Diagram – XV04 Commercial Vacuum Sealer – 230V – Series A

PROPRIETARY RIGHTS NOTICE This document and all information contained within it is the property of Hamilton Beach Brands, Inc. (HBB). It is confidential and proprietary and has been provided to you for a limited purpose. It must be returned or destroyed upon request. Disclosure, reproduction or use of this document and any information contained within it, in full or in part, for any purpose is forbidden without the prior written consent of HBB. No photographs may be taken of any article fabricated or assembled from this document without the prior written consent of HBB.

Model Number: HVC305-CE



Hamilton Beach
4421 Waterfront Drive
Glen Allen, VA 23060

Revision Description:
Request #:

Production Release.

DOC9463

Page:

2 of 8

Document #:

530010400

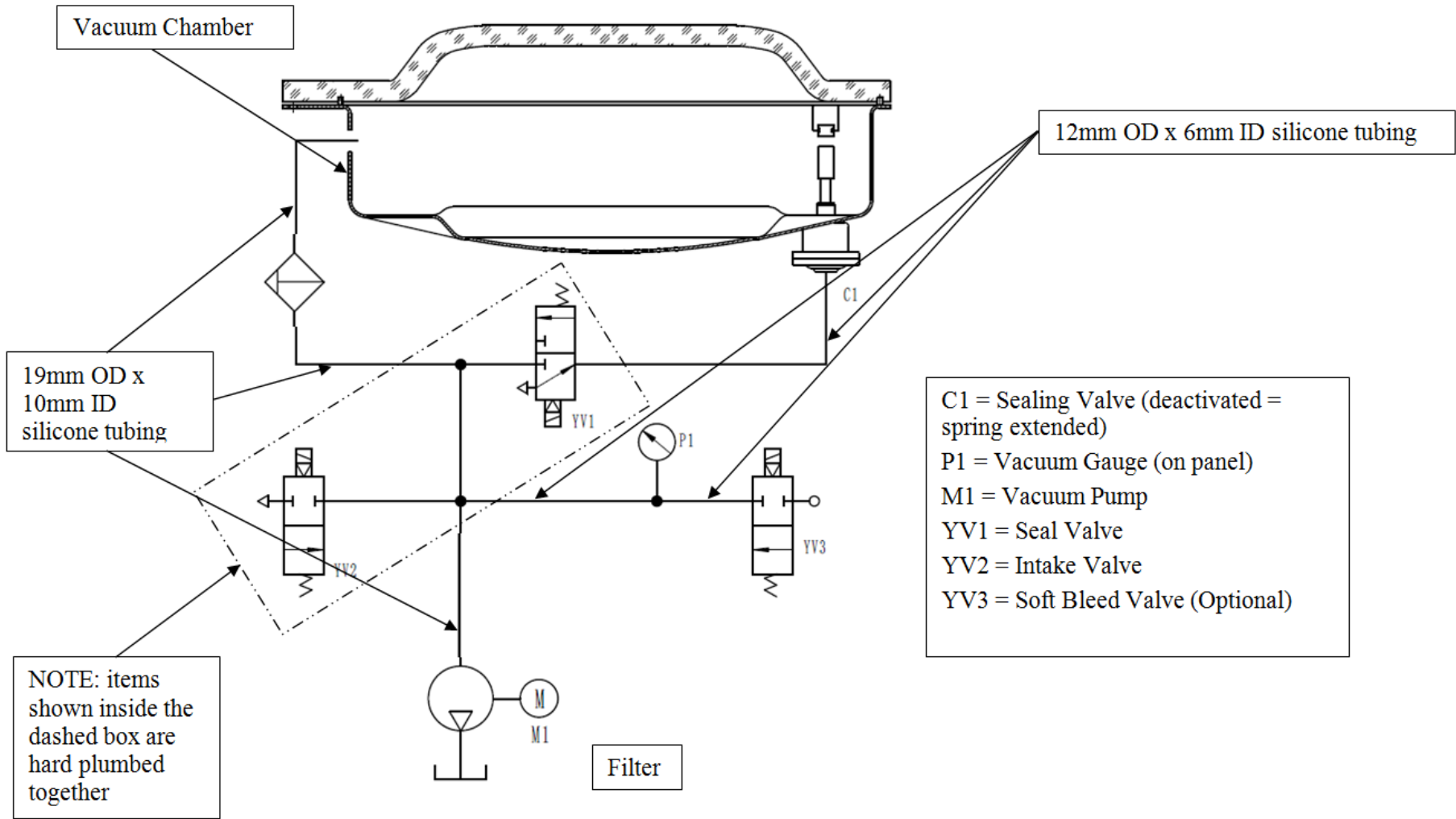
Rev. Date:
27 Sep 2018

Rev:

A

Wiring Diagram & Pneumatic Diagram – XV04 Commercial Vacuum Sealer – 230V – Series A

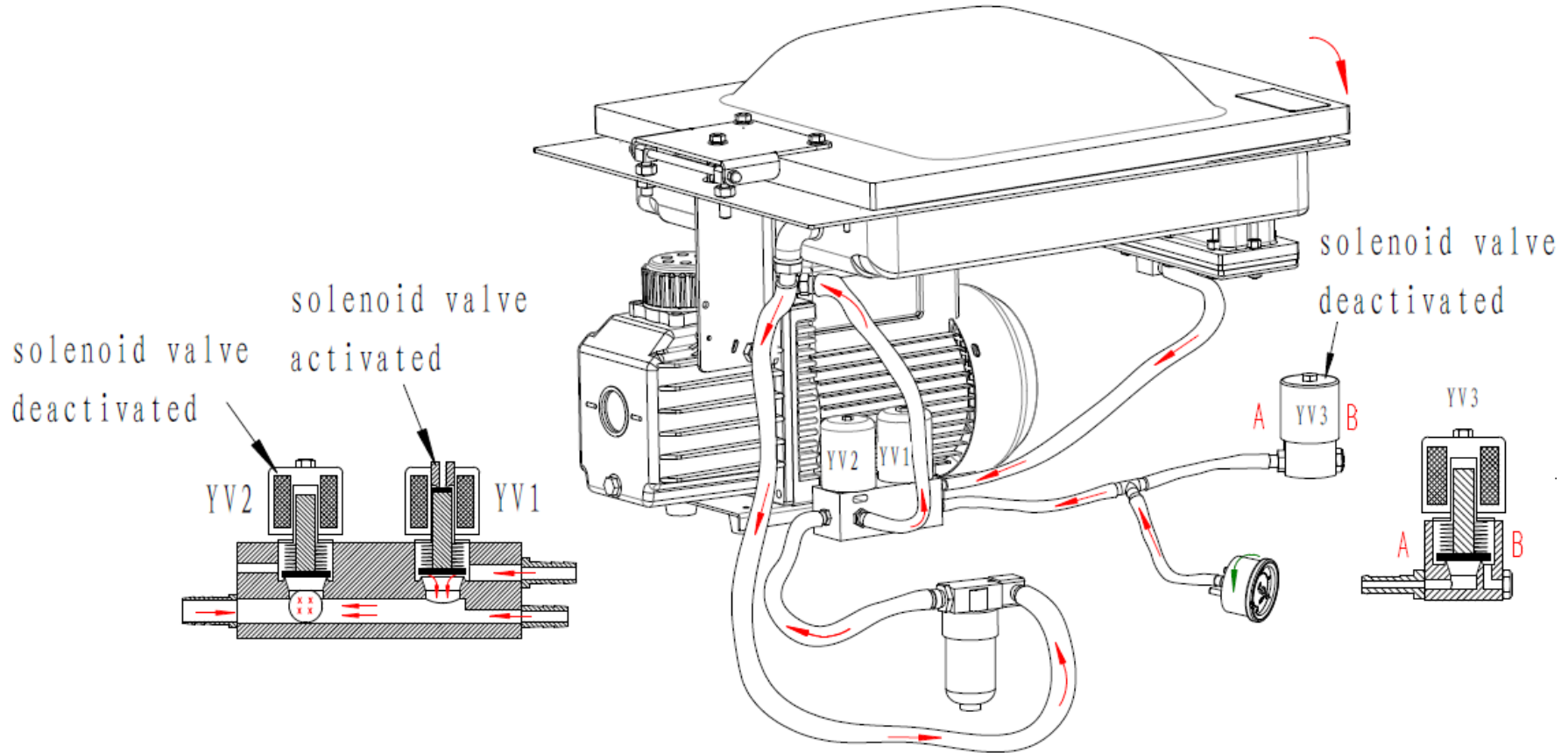
PROPRIETARY RIGHTS NOTICE This document and all information contained within it is the property of Hamilton Beach Brands, Inc. (HBB). It is confidential and proprietary and has been provided to you for a limited purpose. It must be returned or destroyed upon request. Disclosure, reproduction or use of this document and any information contained within it, in full or in part, for any purpose is forbidden without the prior written consent of HBB. No photographs may be taken of any article fabricated or assembled from this document without the prior written consent of HBB.



4421 Waterfront Drive Glen Allen, VA 23060	Revision Description:	Production Release.				Rev. Date:	
	Request #:	DOC9463	Page:	3 of 8	Document #:	530010400	Rev: A

Wiring Diagram & Pneumatic Diagram – XV04 Commercial Vacuum Sealer – 230V – Series A

PROPRIETARY RIGHTS NOTICE This document and all information contained within it is the property of Hamilton Beach Brands, Inc. (HBB). It is confidential and proprietary and has been provided to you for a limited purpose. It must be returned or destroyed upon request. Disclosure, reproduction or use of this document and any information contained within it, in full or in part, for any purpose is forbidden without the prior written consent of HBB. No photographs may be taken of any article fabricated or assembled from this document without the prior written consent of HBB.

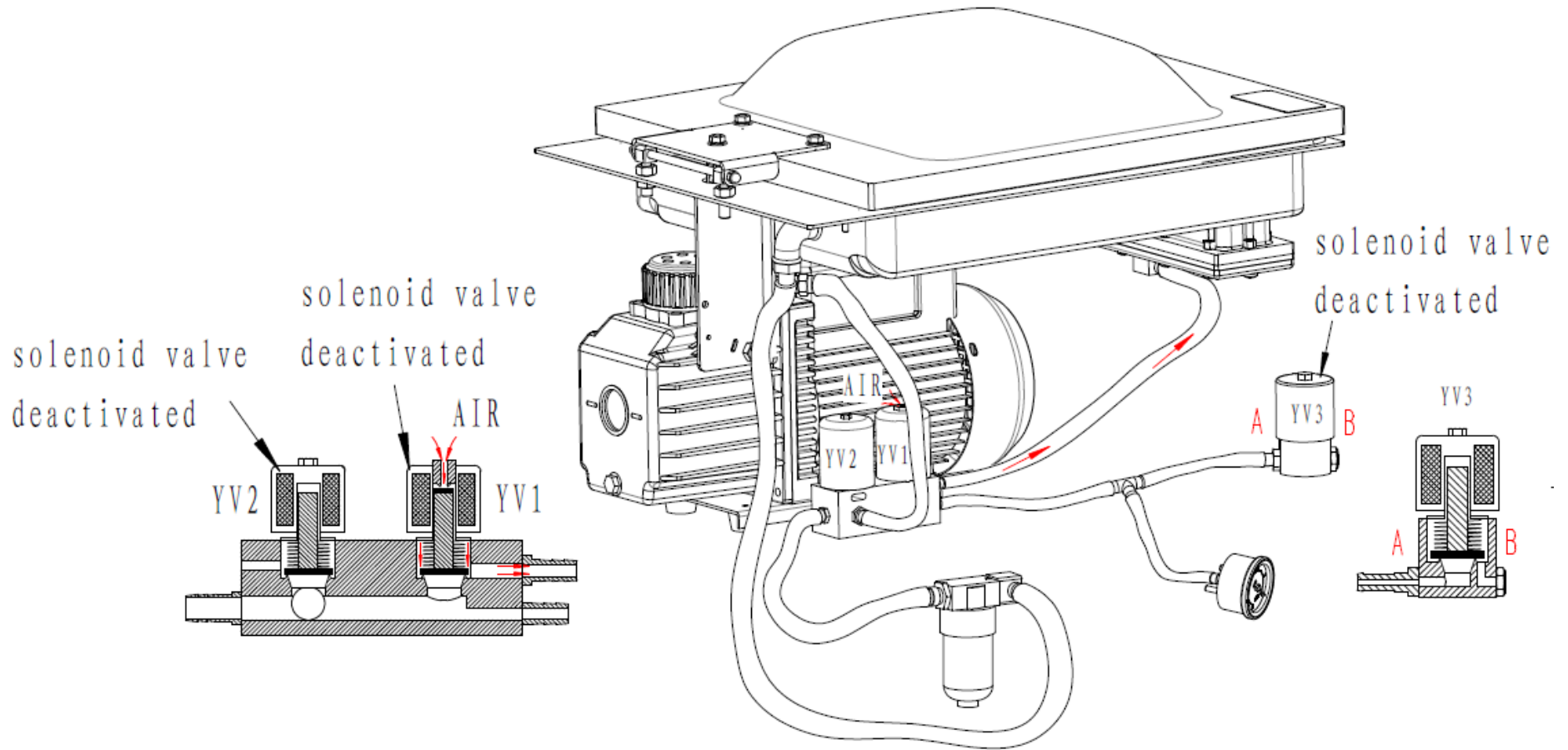


VACUUM CYCLE

4421 Waterfront Drive Glen Allen, VA 23060	Revision Description:	Production Release.				Rev. Date:	
	Request #:	DOC9463	Page:	4 of 8	Document #:	530010400	Rev:

Wiring Diagram & Pneumatic Diagram – XV04 Commercial Vacuum Sealer – 230V – Series A

PROPRIETARY RIGHTS NOTICE This document and all information contained within it is the property of Hamilton Beach Brands, Inc. (HBB). It is confidential and proprietary and has been provided to you for a limited purpose. It must be returned or destroyed upon request. Disclosure, reproduction or use of this document and any information contained within it, in full or in part, for any purpose is forbidden without the prior written consent of HBB. No photographs may be taken of any article fabricated or assembled from this document without the prior written consent of HBB.

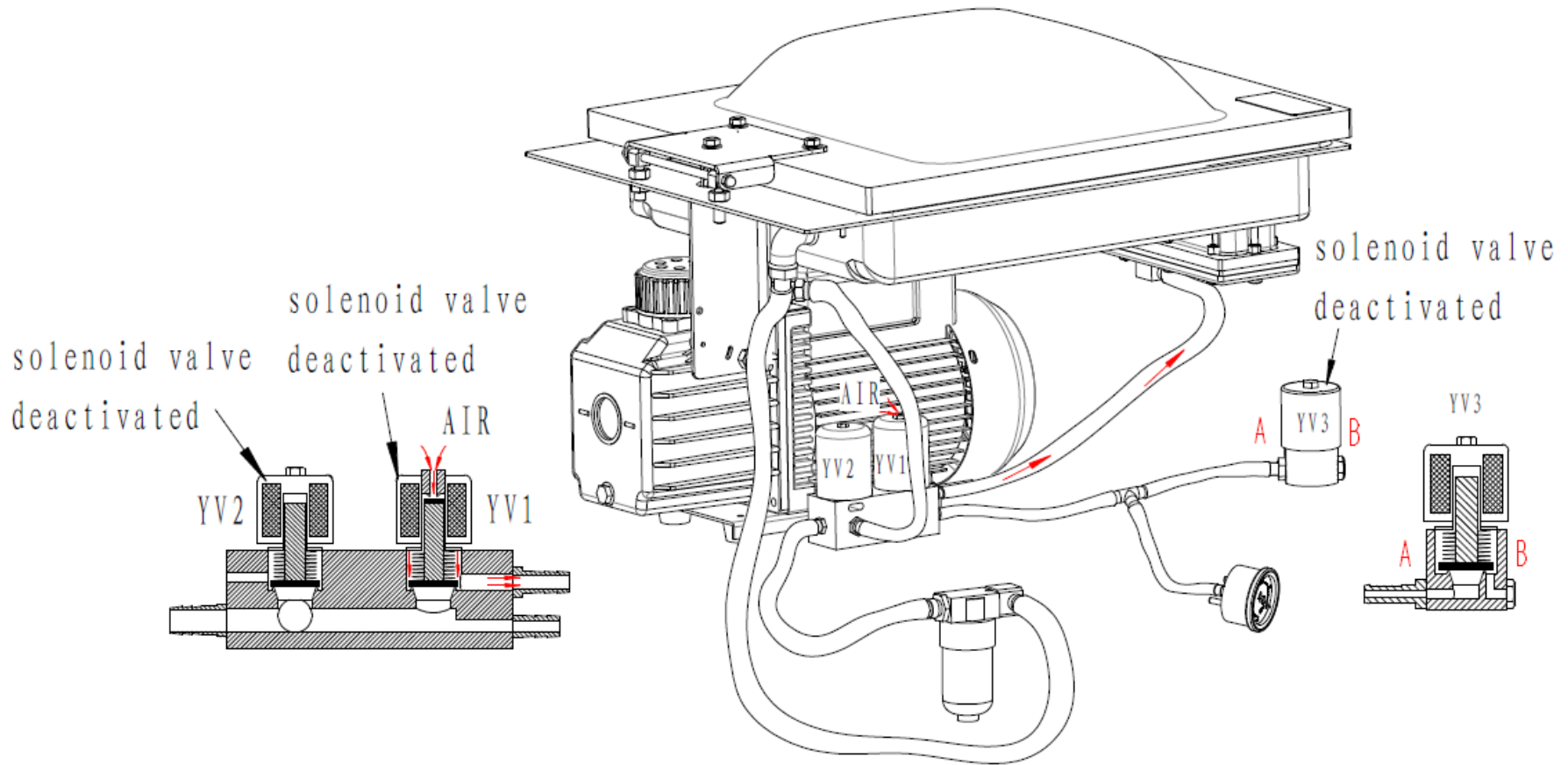


SEALING CYCLE

4421 Waterfront Drive Glen Allen, VA 23060	Revision Description:	Production Release.				Rev. Date:	
	Request #:	DOC9463	Page:	5 of 8	Document #:	530010400	Rev:

Wiring Diagram & Pneumatic Diagram – XV04 Commercial Vacuum Sealer – 230V – Series A

PROPRIETARY RIGHTS NOTICE This document and all information contained within it is the property of Hamilton Beach Brands, Inc. (HBB). It is confidential and proprietary and has been provided to you for a limited purpose. It must be returned or destroyed upon request. Disclosure, reproduction or use of this document and any information contained within it, in full or in part, for any purpose is forbidden without the prior written consent of HBB. No photographs may be taken of any article fabricated or assembled from this document without the prior written consent of HBB.

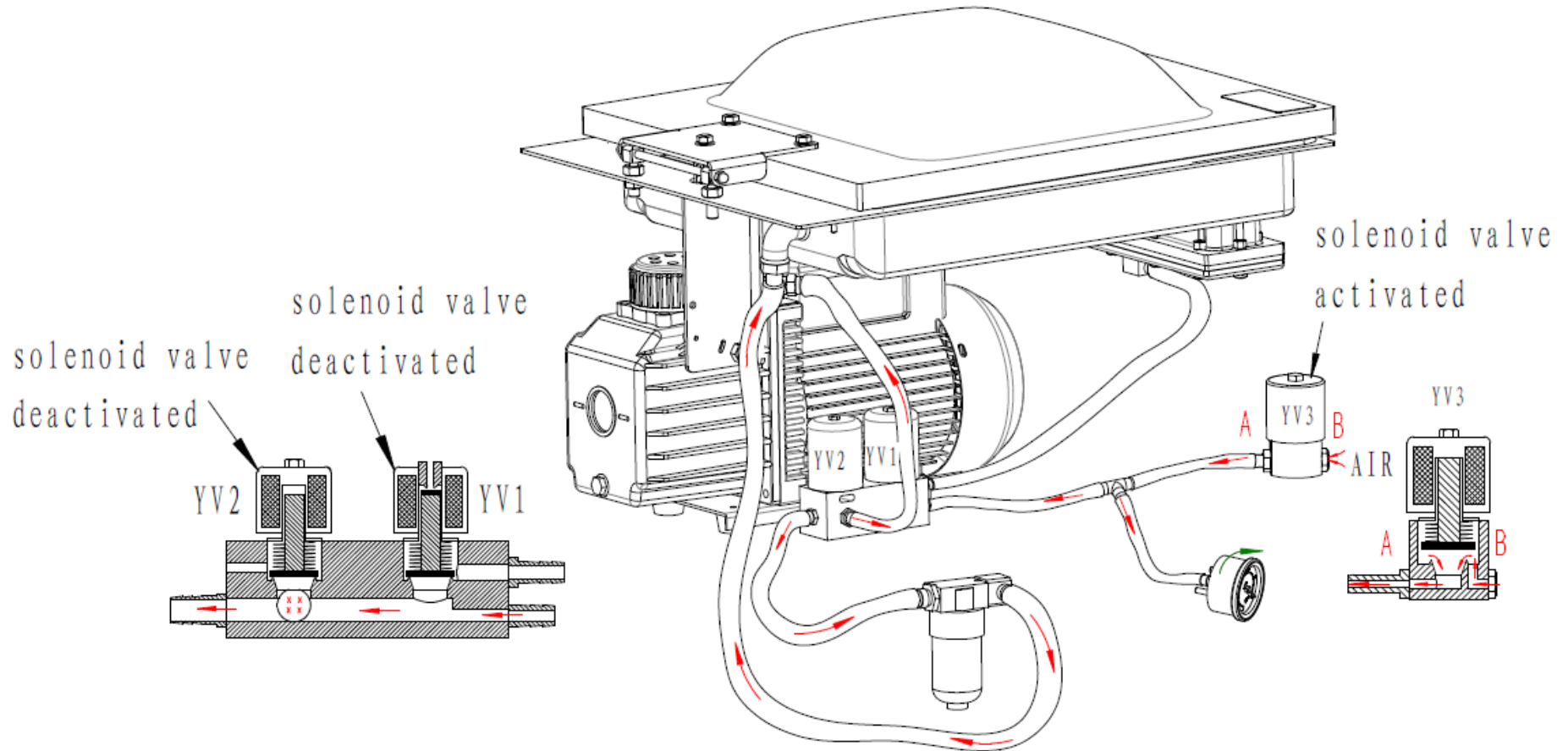


COOLING CYCLE

4421 Waterfront Drive Glen Allen, VA 23060	Revision	Production Release.				Rev. Date:	
	Description:					27 Sep 2018	
Request #:	DOC9463	Page:	6 of 8	Document #:	530010400	Rev:	A

Wiring Diagram & Pneumatic Diagram – XV04 Commercial Vacuum Sealer – 230V – Series A

PROPRIETARY RIGHTS NOTICE This document and all information contained within it is the property of Hamilton Beach Brands, Inc. (HBB). It is confidential and proprietary and has been provided to you for a limited purpose. It must be returned or destroyed upon request. Disclosure, reproduction or use of this document and any information contained within it, in full or in part, for any purpose is forbidden without the prior written consent of HBB. No photographs may be taken of any article fabricated or assembled from this document without the prior written consent of HBB.

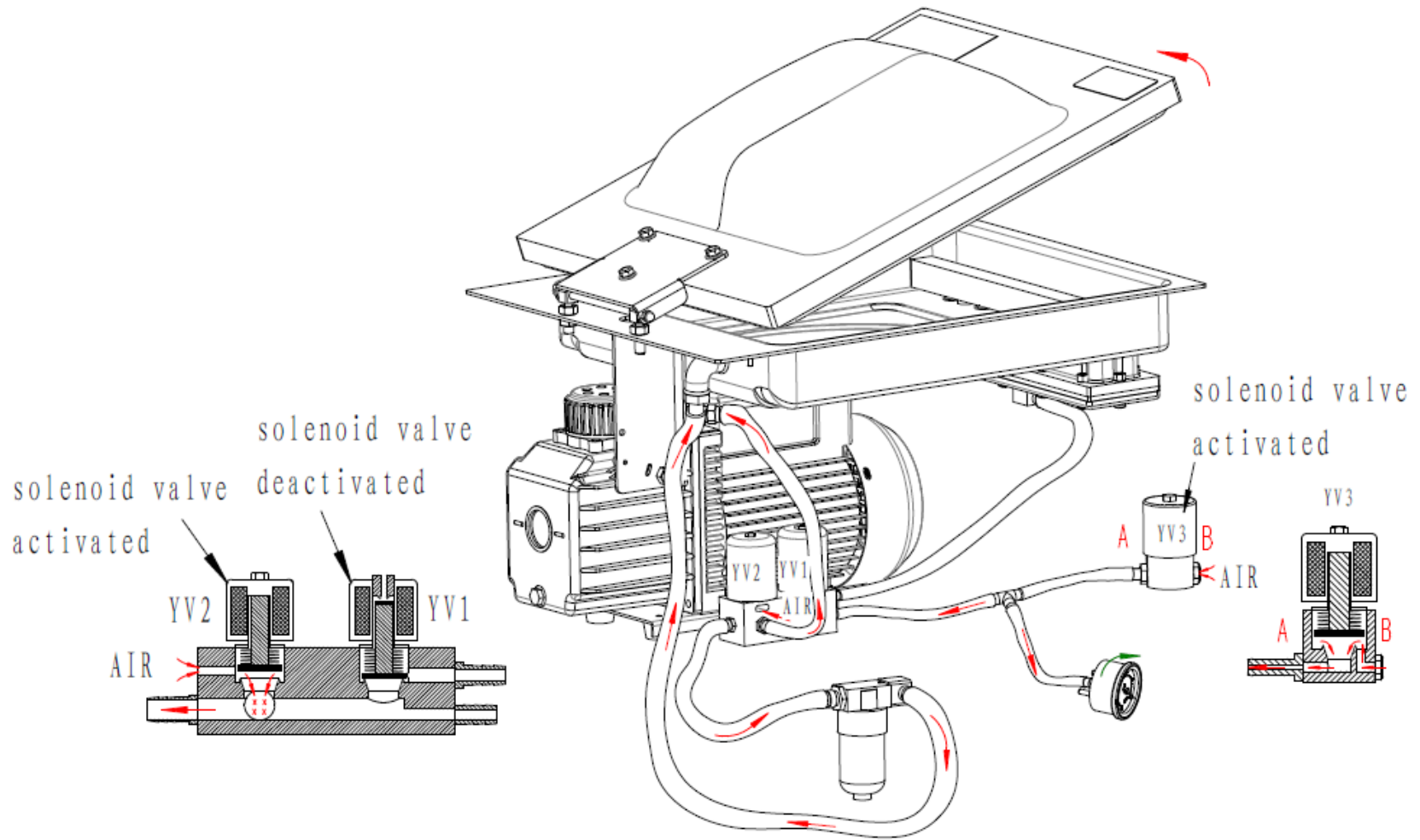


SOFT AIR CYCLE

4421 Waterfront Drive Glen Allen, VA 23060	Revision Description:	Production Release.				Rev. Date:
	Request #:	DOC9463	Page:	7 of 8	Document #:	530010400

Wiring Diagram & Pneumatic Diagram – XV04 Commercial Vacuum Sealer – 230V – Series A

PROPRIETARY RIGHTS NOTICE This document and all information contained within it is the property of Hamilton Beach Brands, Inc. (HBB). It is confidential and proprietary and has been provided to you for a limited purpose. It must be returned or destroyed upon request. Disclosure, reproduction or use of this document and any information contained within it, in full or in part, for any purpose is forbidden without the prior written consent of HBB. No photographs may be taken of any article fabricated or assembled from this document without the prior written consent of HBB.



SLOW RELEASE CYCLE

4421 Waterfront Drive Glen Allen, VA 23060	Revision Description:	Production Release.				Rev. Date:	
	Request #:	DOC9463	Page:	8 of 8	Document #:	530010400	Rev: