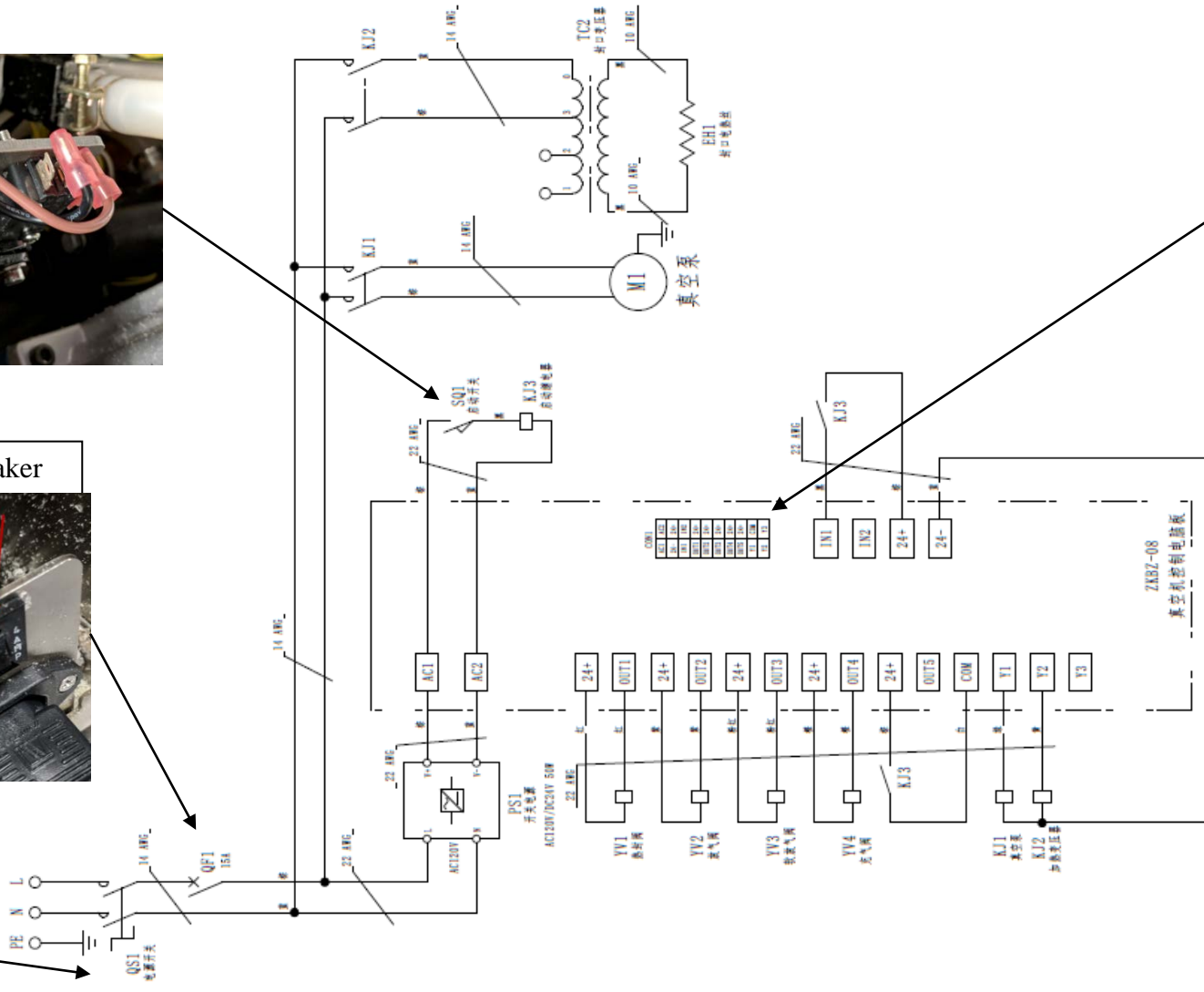
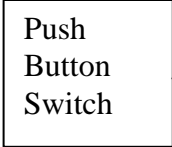
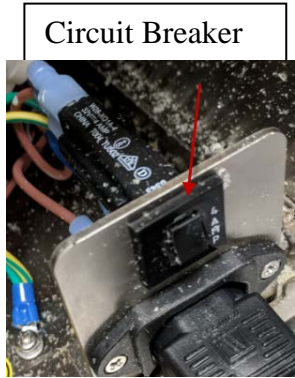


Wiring Diagram & Pneumatic Diagram – XV05 Commercial Vacuum Sealer – 120V

PROPRIETARY RIGHTS NOTICE This document and all information contained within it is the property of Hamilton Beach Brands, Inc. (HBB). It is confidential and proprietary and has been provided to you for a limited purpose. It must be returned or destroyed upon request. Disclosure, reproduction or use of this document and any information contained within it, in full or in part, for any purpose is forbidden without the prior written consent of HBB. No photographs may be taken of any article fabricated or assembled from this document without the prior written consent of HBB.



CON1

AC1	AC2
24-	24+
IN1	IN2
OUT1	24+
OUT2	24+
OUT3	24+
OUT4	24+
OUT5	24+

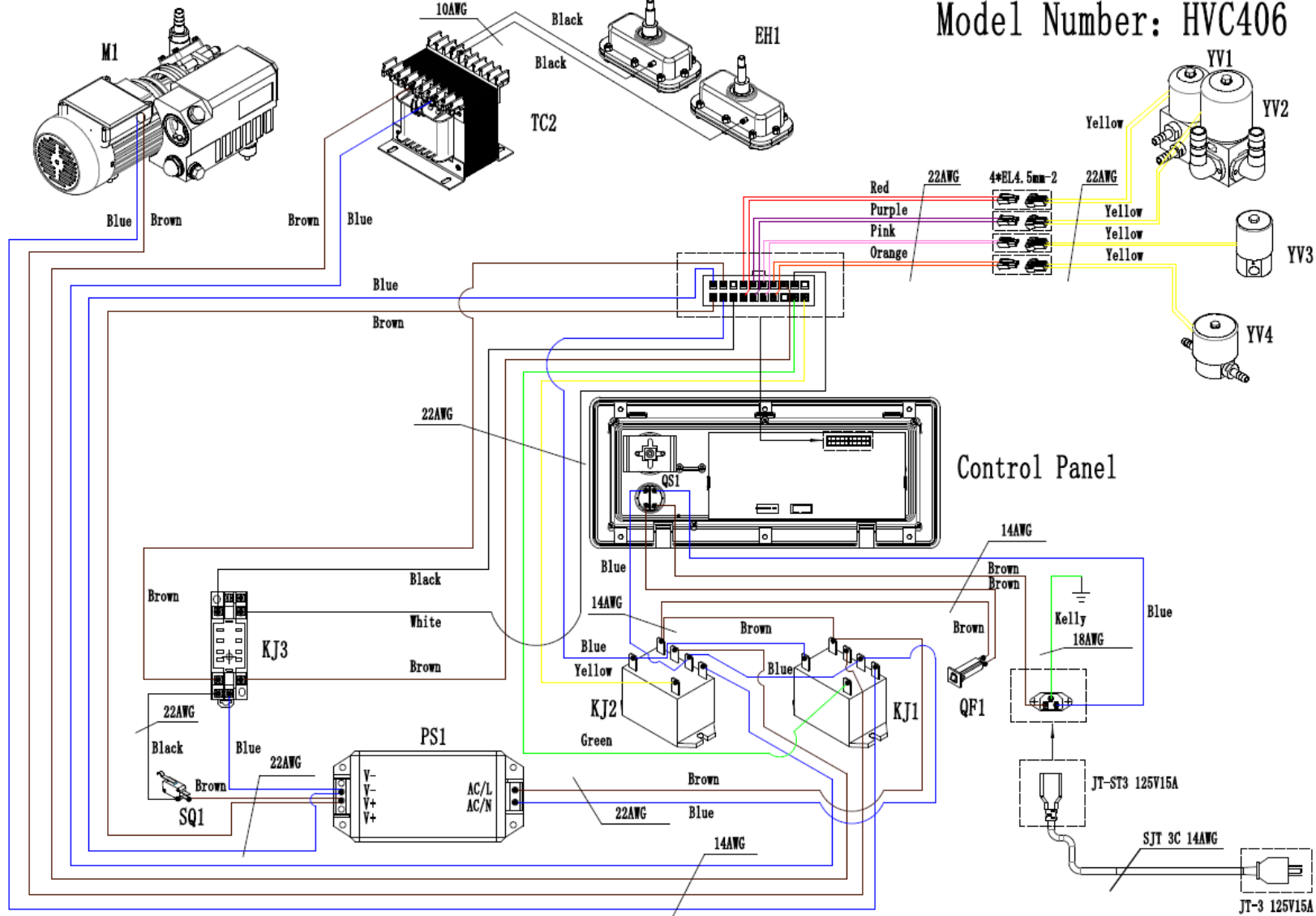
QS1 = Push Button Switch (on panel)
 QF1 = Circuit Breaker
 PS1 = Power Supply 120Vac to 24Vdc
 SQ1 = Start Switch (presence switch for lid)
 KJ3 = Start Relay
 KJ1 = Relay to Compressor Motor
 KJ2 = Relay to Heater
 TC2 = Transformer for Heater
 YV1 = Seal Valve
 YV2 = Intake Valve
 YV3 = Soft Bleed Valve (optional)
 YV4 = Inflation Valve

4421 Waterfront Drive Glen Allen, VA 23060	Revision Description:	Production Release.				Rev. Date:		
	Request #:	DOC9513	Page:	1 of 9	Document #:	530010800	17 Oct 2018	
							Rev:	A

Wiring Diagram & Pneumatic Diagram – XV05 Commercial Vacuum Sealer – 120V

PROPRIETARY RIGHTS NOTICE This document and all information contained within it is the property of Hamilton Beach Brands, Inc. (HBB). It is confidential and proprietary and has been provided to you for a limited purpose. It must be returned or destroyed upon request. Disclosure, reproduction or use of this document and any information contained within it, in full or in part, for any purpose is forbidden without the prior written consent of HBB. No photographs may be taken of any article fabricated or assembled from this document without the prior written consent of HBB.

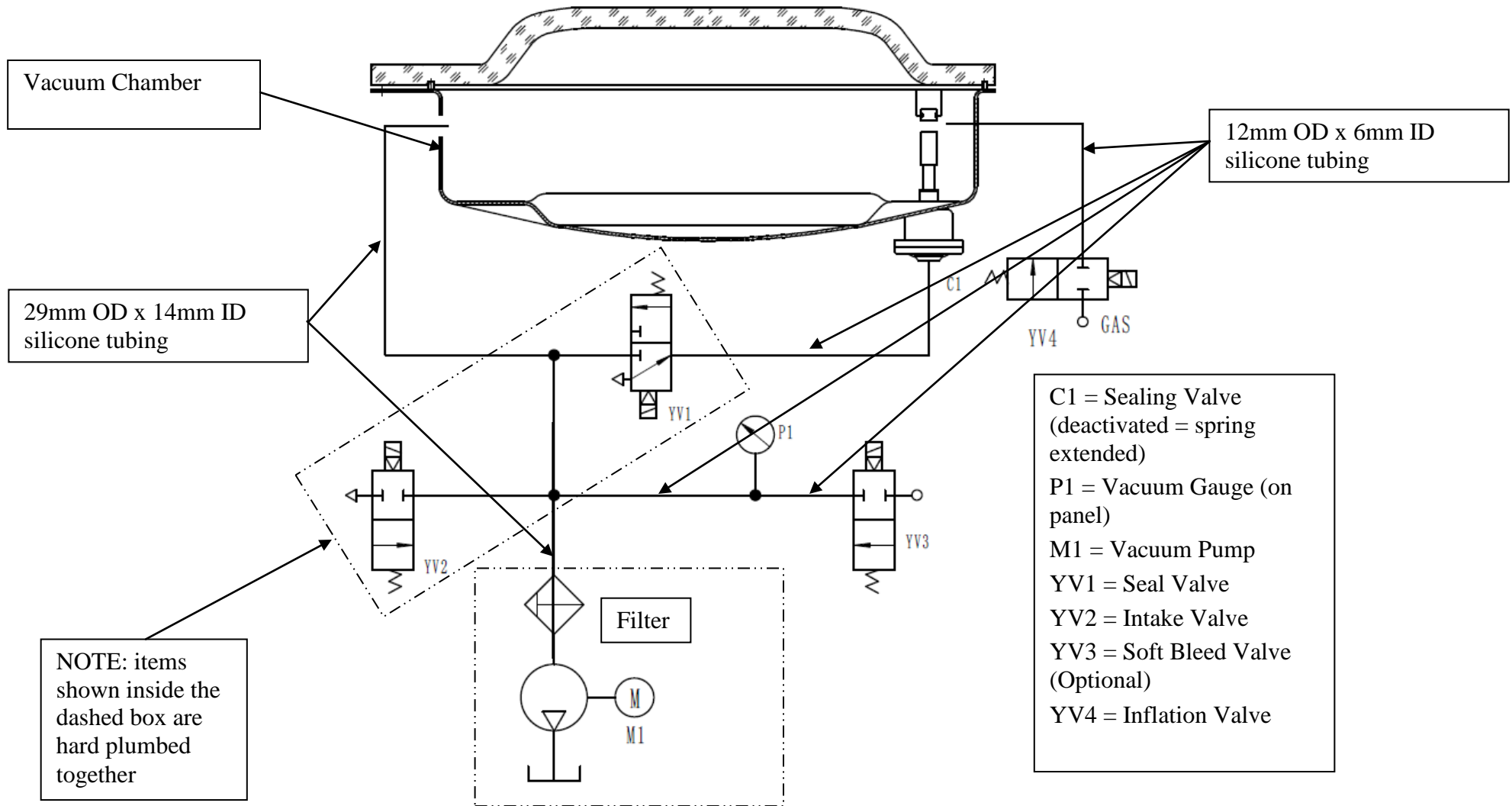
Model Number: HVC406



Hamilton Beach 4421 Waterfront Drive Glen Allen, VA 23060	Revision Description:	Production Release.			Rev. Date:	
	Request #:	DOC9513	Page:	2 of 9	Document #:	530010800
						Rev: A

Wiring Diagram & Pneumatic Diagram – XV05 Commercial Vacuum Sealer – 120V

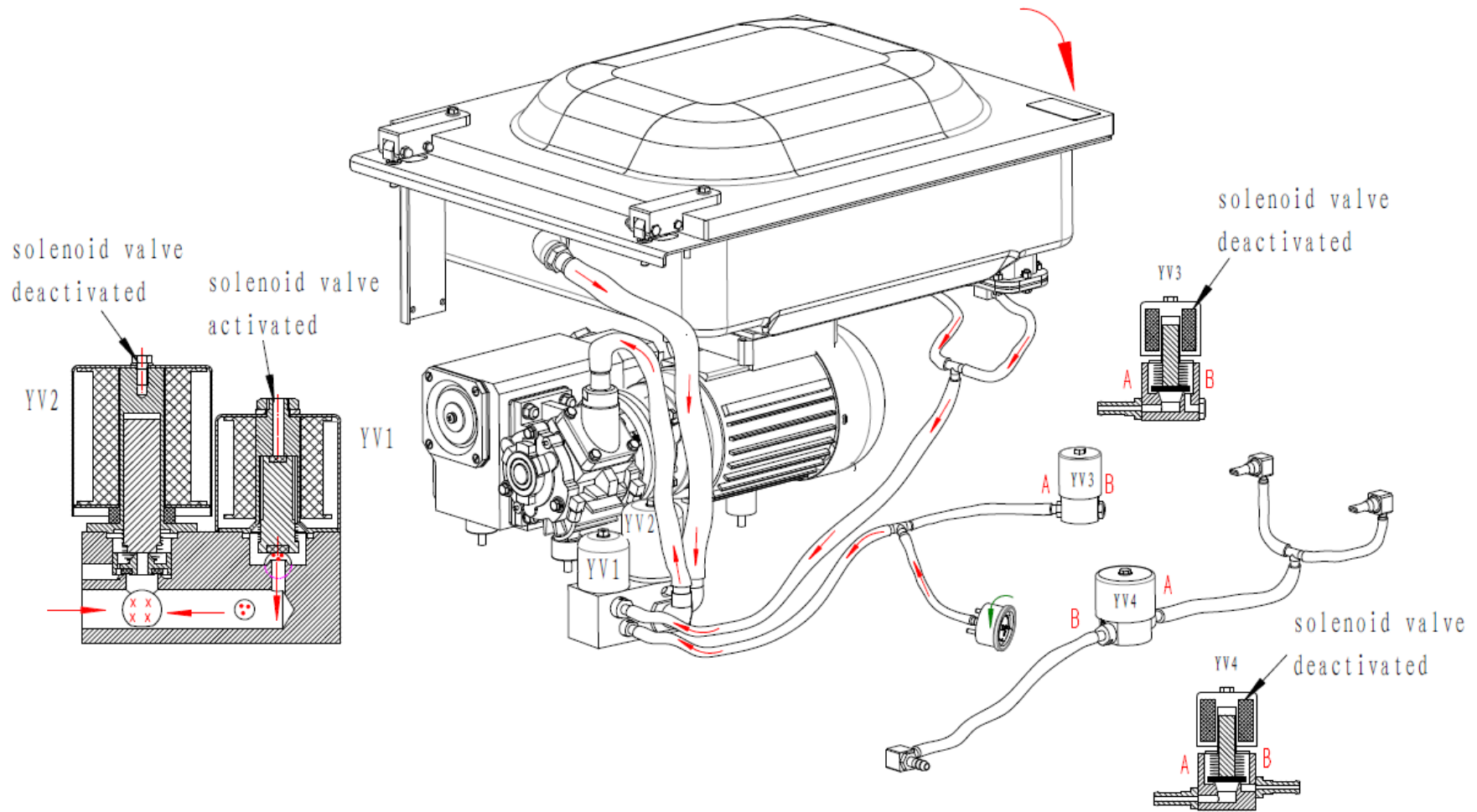
PROPRIETARY RIGHTS NOTICE This document and all information contained within it is the property of Hamilton Beach Brands, Inc. (HBB). It is confidential and proprietary and has been provided to you for a limited purpose. It must be returned or destroyed upon request. Disclosure, reproduction or use of this document and any information contained within it, in full or in part, for any purpose is forbidden without the prior written consent of HBB. No photographs may be taken of any article fabricated or assembled from this document without the prior written consent of HBB.



 4421 Waterfront Drive Glen Allen, VA 23060	Revision Description:	Production Release.				Rev. Date:	
	Request #:	DOC9513	Page:	3 of 9	Document #:	530010800	Rev: A

Wiring Diagram & Pneumatic Diagram – XV05 Commercial Vacuum Sealer – 120V

PROPRIETARY RIGHTS NOTICE This document and all information contained within it is the property of Hamilton Beach Brands, Inc. (HBB). It is confidential and proprietary and has been provided to you for a limited purpose. It must be returned or destroyed upon request. Disclosure, reproduction or use of this document and any information contained within it, in full or in part, for any purpose is forbidden without the prior written consent of HBB. No photographs may be taken of any article fabricated or assembled from this document without the prior written consent of HBB.

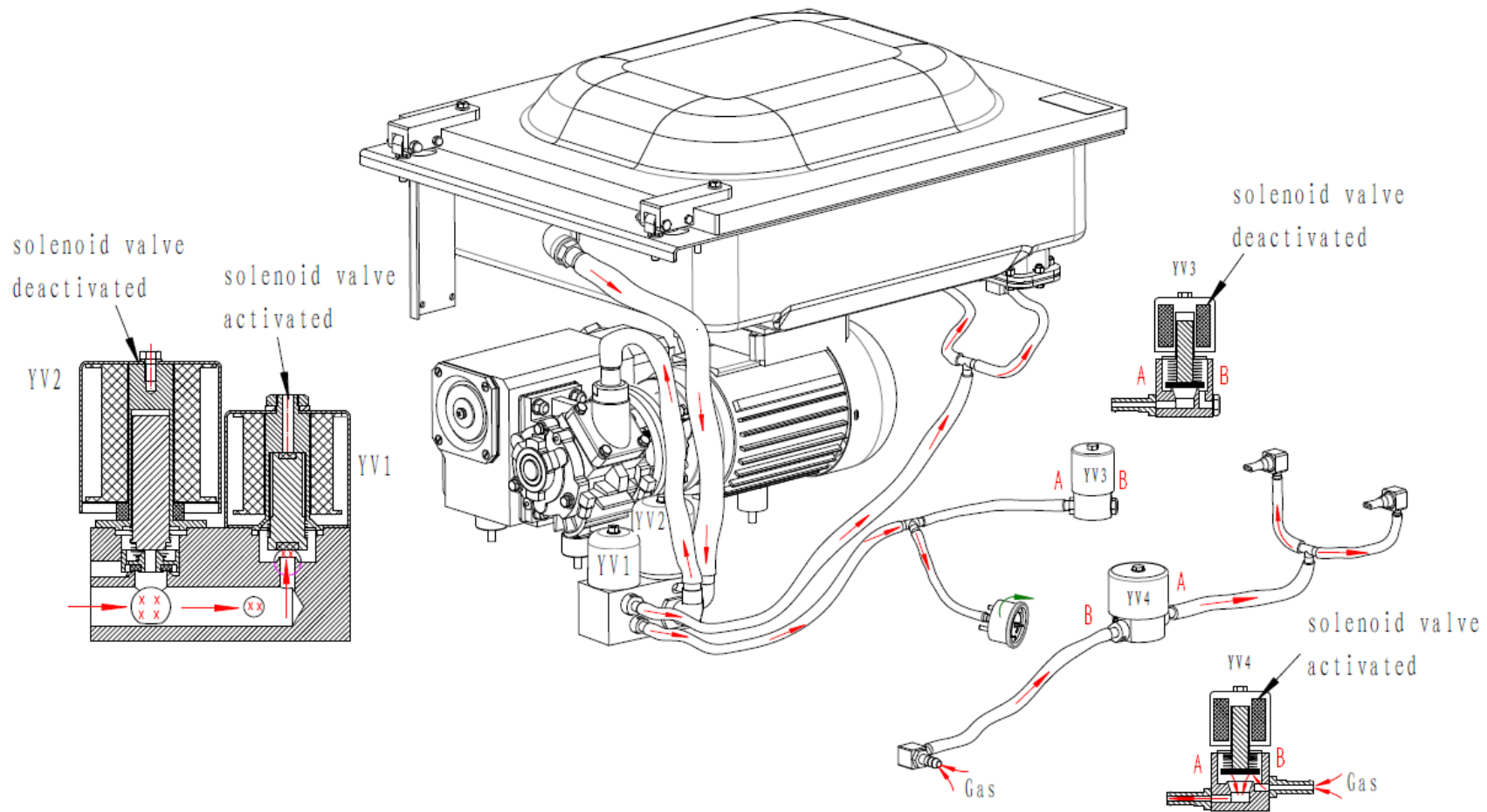


VACUUM CYCLE

4421 Waterfront Drive Glen Allen, VA 23060	Revision Description:	Production Release.				Rev. Date:
	Request #:	DOC9513	Page:	4 of 9	Document #:	530010800

Wiring Diagram & Pneumatic Diagram – XV05 Commercial Vacuum Sealer – 120V

PROPRIETARY RIGHTS NOTICE This document and all information contained within it is the property of Hamilton Beach Brands, Inc. (HBB). It is confidential and proprietary and has been provided to you for a limited purpose. It must be returned or destroyed upon request. Disclosure, reproduction or use of this document and any information contained within it, in full or in part, for any purpose is forbidden without the prior written consent of HBB. No photographs may be taken of any article fabricated or assembled from this document without the prior written consent of HBB.

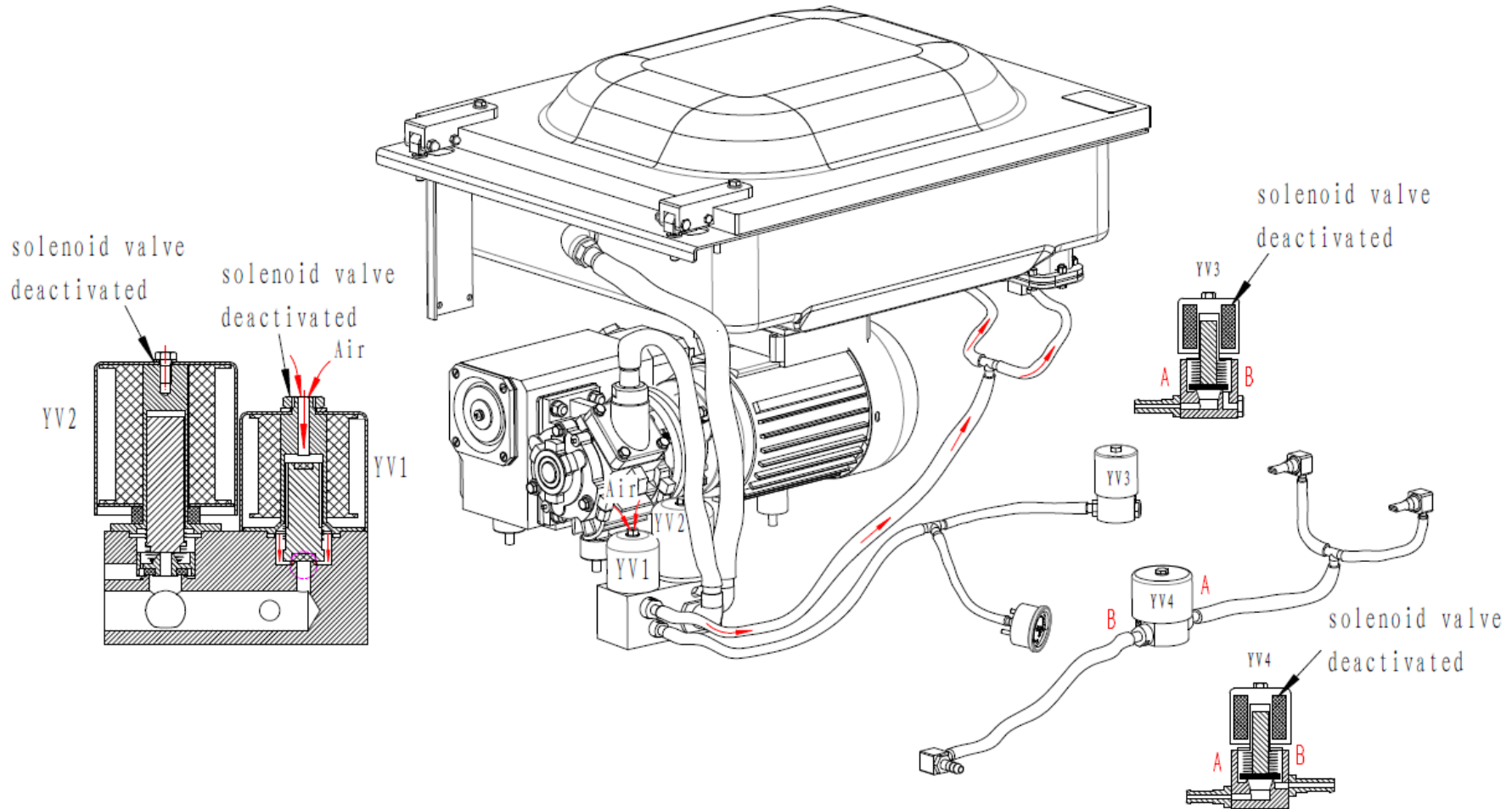


GAS CYCLE

4421 Waterfront Drive Glen Allen, VA 23060	Revision Description:	Production Release.				Rev. Date:
	Request #:	DOC9513	Page:	5 of 9	Document #:	530010800

Wiring Diagram & Pneumatic Diagram – XV05 Commercial Vacuum Sealer – 120V

PROPRIETARY RIGHTS NOTICE This document and all information contained within it is the property of Hamilton Beach Brands, Inc. (HBB). It is confidential and proprietary and has been provided to you for a limited purpose. It must be returned or destroyed upon request. Disclosure, reproduction or use of this document and any information contained within it, in full or in part, for any purpose is forbidden without the prior written consent of HBB. No photographs may be taken of any article fabricated or assembled from this document without the prior written consent of HBB.

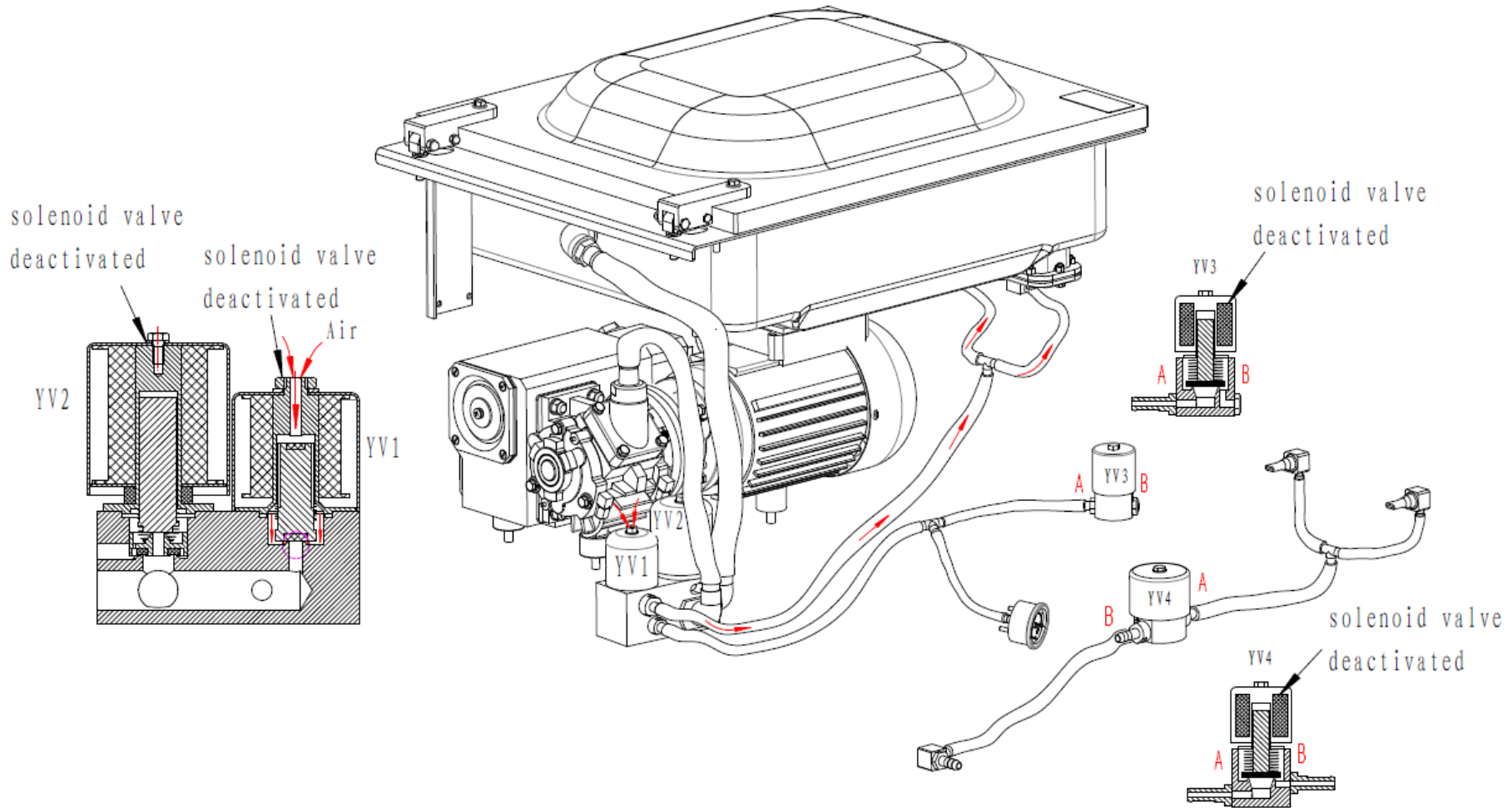


SEALING CYCLE

4421 Waterfront Drive Glen Allen, VA 23060	Revision Description:	Production Release.				Rev. Date:
	Request #:	DOC9513	Page:	6 of 9	Document #:	530010800

Wiring Diagram & Pneumatic Diagram – XV05 Commercial Vacuum Sealer – 120V

PROPRIETARY RIGHTS NOTICE This document and all information contained within it is the property of Hamilton Beach Brands, Inc. (HBB). It is confidential and proprietary and has been provided to you for a limited purpose. It must be returned or destroyed upon request. Disclosure, reproduction or use of this document and any information contained within it, in full or in part, for any purpose is forbidden without the prior written consent of HBB. No photographs may be taken of any article fabricated or assembled from this document without the prior written consent of HBB.

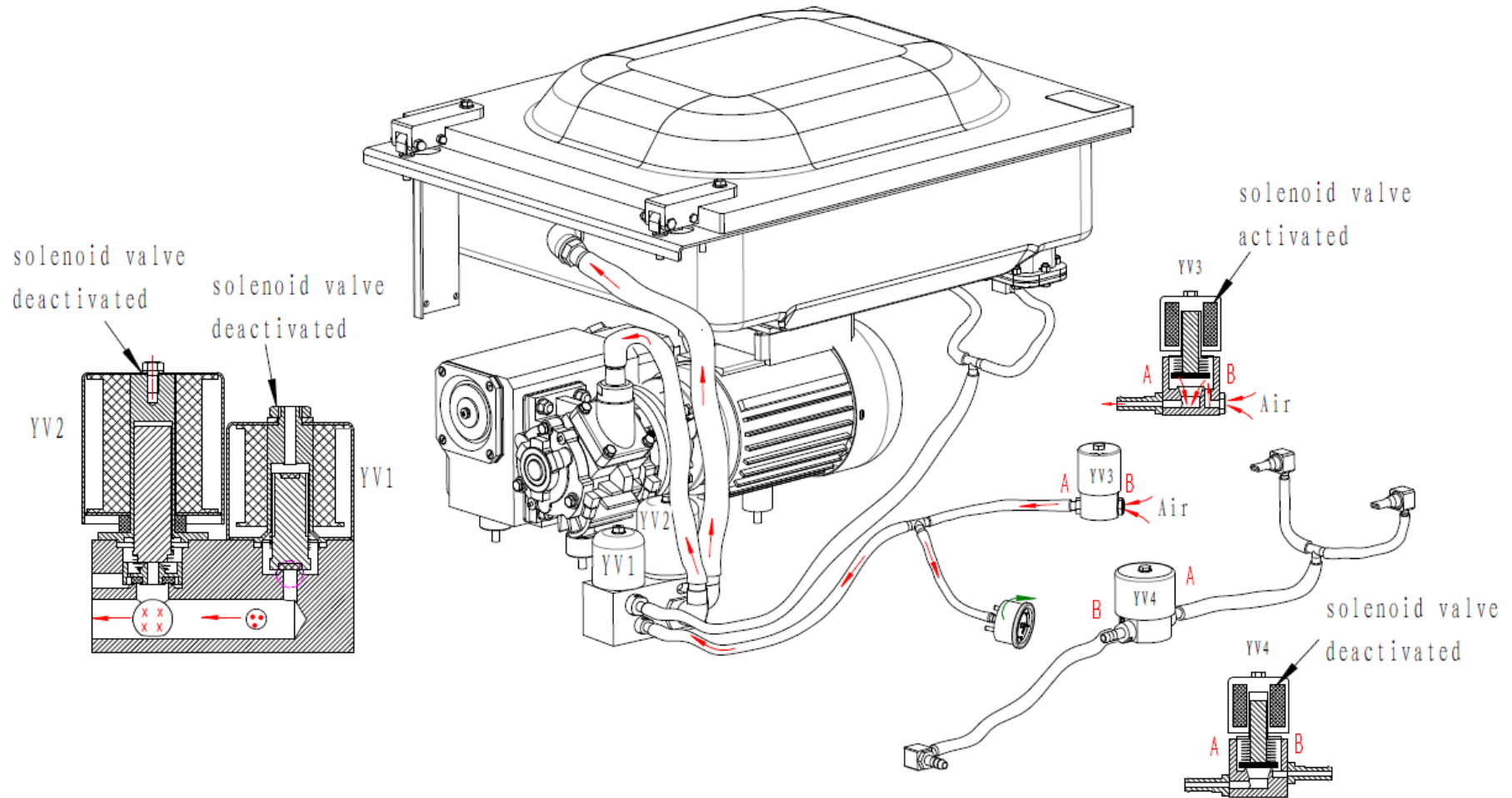


COOLING CYCLE

4421 Waterfront Drive Glen Allen, VA 23060	Revision Description:	Production Release.				Rev. Date:
	Request #:	DOC9513	Page:	7 of 9	Document #:	530010800

Wiring Diagram & Pneumatic Diagram – XV05 Commercial Vacuum Sealer – 120V

PROPRIETARY RIGHTS NOTICE This document and all information contained within it is the property of Hamilton Beach Brands, Inc. (HBB). It is confidential and proprietary and has been provided to you for a limited purpose. It must be returned or destroyed upon request. Disclosure, reproduction or use of this document and any information contained within it, in full or in part, for any purpose is forbidden without the prior written consent of HBB. No photographs may be taken of any article fabricated or assembled from this document without the prior written consent of HBB.

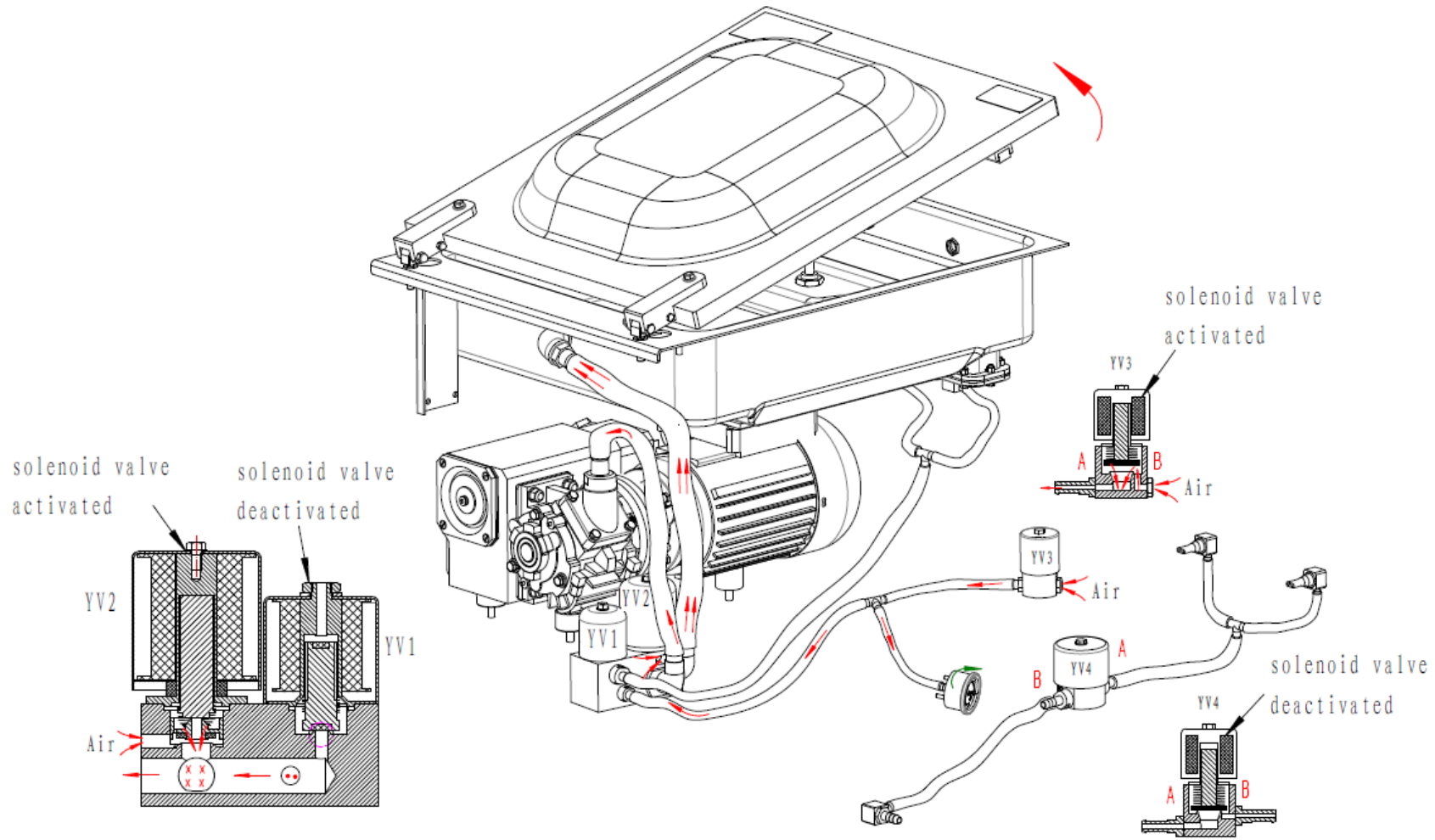


SOFT AIR CYCLE

4421 Waterfront Drive Glen Allen, VA 23060	Revision	Production Release.				Rev. Date:
	Description:					17 Oct 2018
Request #:	DOC9513	Page:	8 of 9	Document #:	530010800	Rev: A

Wiring Diagram & Pneumatic Diagram – XV05 Commercial Vacuum Sealer – 120V

PROPRIETARY RIGHTS NOTICE This document and all information contained within it is the property of Hamilton Beach Brands, Inc. (HBB). It is confidential and proprietary and has been provided to you for a limited purpose. It must be returned or destroyed upon request. Disclosure, reproduction or use of this document and any information contained within it, in full or in part, for any purpose is forbidden without the prior written consent of HBB. No photographs may be taken of any article fabricated or assembled from this document without the prior written consent of HBB.



SLOW RELEASE CYCLE

4421 Waterfront Drive Glen Allen, VA 23060	Revision Description:	Production Release.				Rev. Date:	
	Request #:	DOC9513	Page:	9 of 9	Document #:	530010800	Rev: