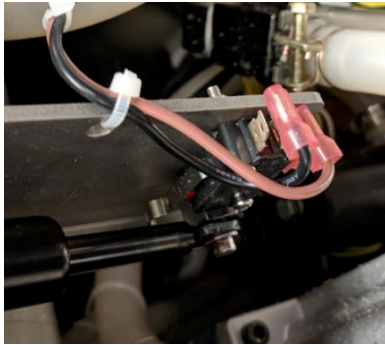


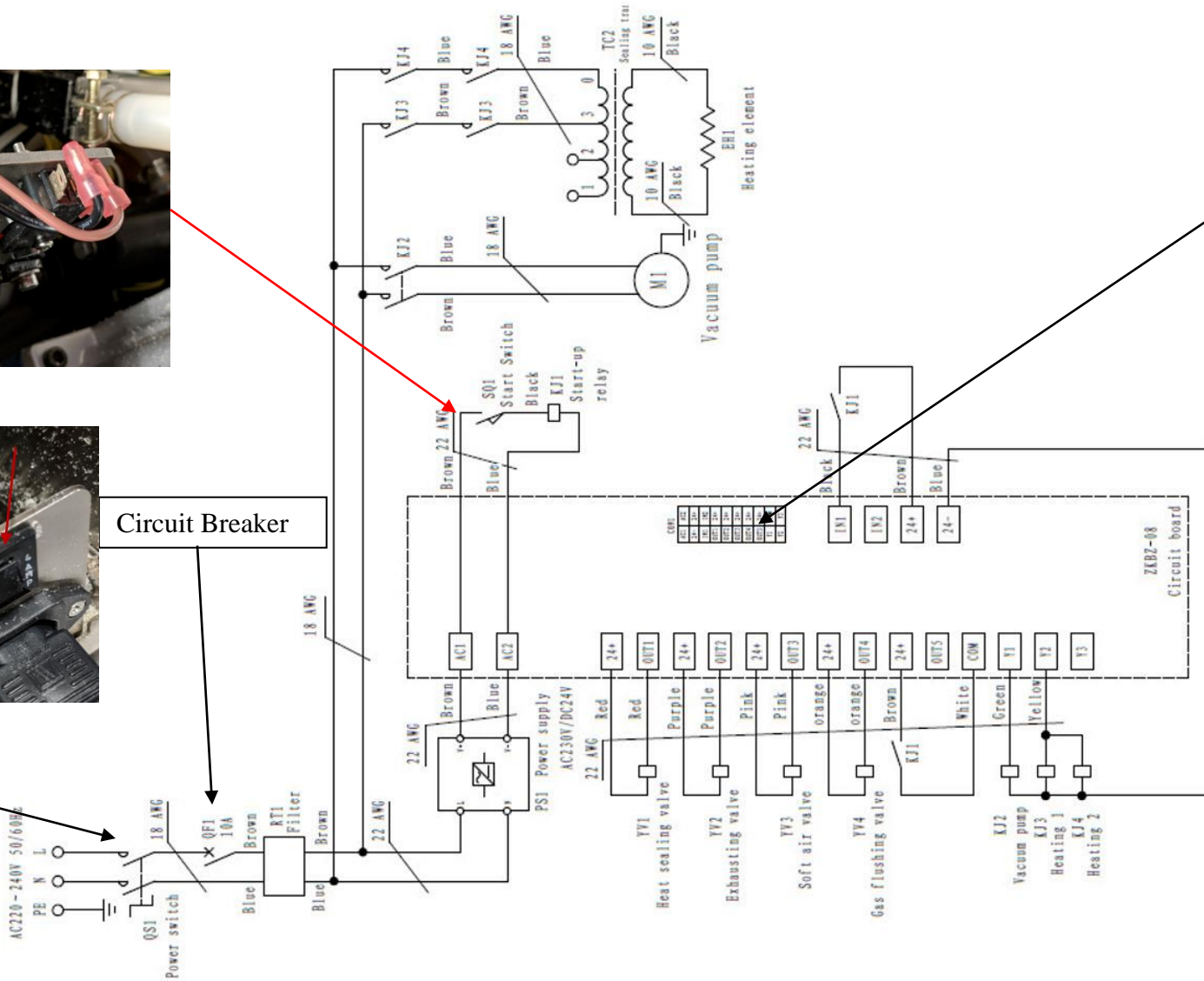
Wiring Diagram & Pneumatic Diagram – XV05 Commercial Vacuum Sealer – 230V

PROPRIETARY RIGHTS NOTICE This document and all information contained within it is the property of Hamilton Beach Brands, Inc. (HBB). It is confidential and proprietary and has been provided to you for a limited purpose. It must be returned or destroyed upon request. Disclosure, reproduction or use of this document and any information contained within it, in full or in part, for any purpose is forbidden without the prior written consent of HBB. No photographs may be taken of any article fabricated or assembled from this document without the prior written consent of HBB.



Circuit Breaker

Push Button Switch



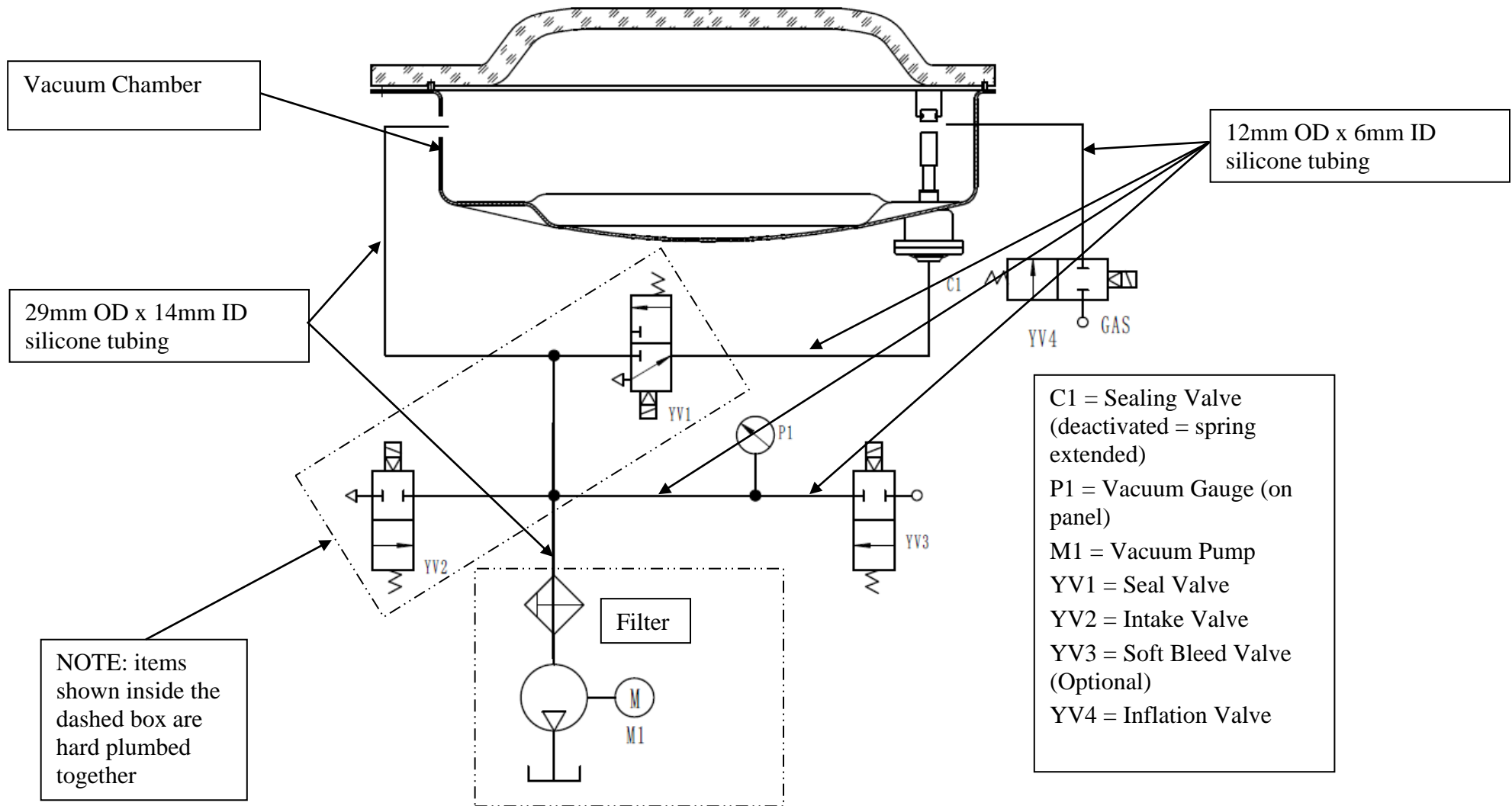
CON1


AC1	AC2
24-	24+
IN1	IN2
OUT1	24+
OUT2	24+
OUT3	24+
OUT4	24+
OUT5	24+

- QS1 = Push Button Switch (on panel)
- QF1 = Circuit Breaker
- PS1 = Power Supply 120Vac to 24Vdc
- SQ1 = Start Switch (presence switch for lid)
- KJ1 = Start Relay
- KJ2 = Relay to Compressor Motor
- KJ3/4 = Relay to Heater
- TC2 = Transformer for Heater
- YV1 = Seal Valve
- YV2 = Intake Valve
- YV3 = Soft Bleed Valve (optional)
- YV4 = Inflation Valve

Wiring Diagram & Pneumatic Diagram – XV05 Commercial Vacuum Sealer – 230V

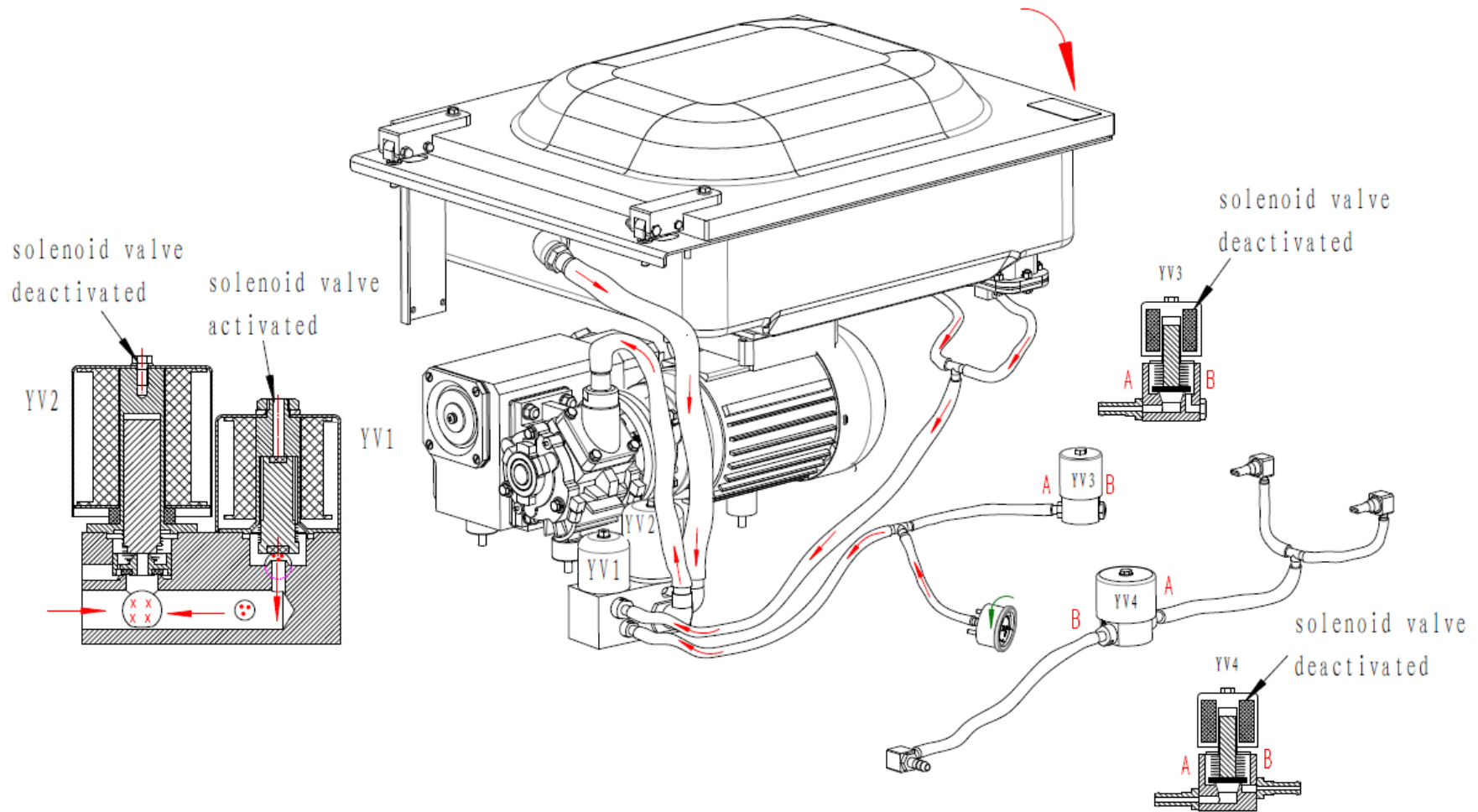
PROPRIETARY RIGHTS NOTICE This document and all information contained within it is the property of Hamilton Beach Brands, Inc. (HBB). It is confidential and proprietary and has been provided to you for a limited purpose. It must be returned or destroyed upon request. Disclosure, reproduction or use of this document and any information contained within it, in full or in part, for any purpose is forbidden without the prior written consent of HBB. No photographs may be taken of any article fabricated or assembled from this document without the prior written consent of HBB.



 4421 Waterfront Drive Glen Allen, VA 23060	Revision Description:	Corrected identification of Relays in table p1 and corrected schematic p2				Rev. Date:
	Request #:	DOC12462	Page:	3 of 9	Document #: 530010900	03/08/2022
					Rev:	B

Wiring Diagram & Pneumatic Diagram – XV05 Commercial Vacuum Sealer – 230V

PROPRIETARY RIGHTS NOTICE This document and all information contained within it is the property of Hamilton Beach Brands, Inc. (HBB). It is confidential and proprietary and has been provided to you for a limited purpose. It must be returned or destroyed upon request. Disclosure, reproduction or use of this document and any information contained within it, in full or in part, for any purpose is forbidden without the prior written consent of HBB. No photographs may be taken of any article fabricated or assembled from this document without the prior written consent of HBB.

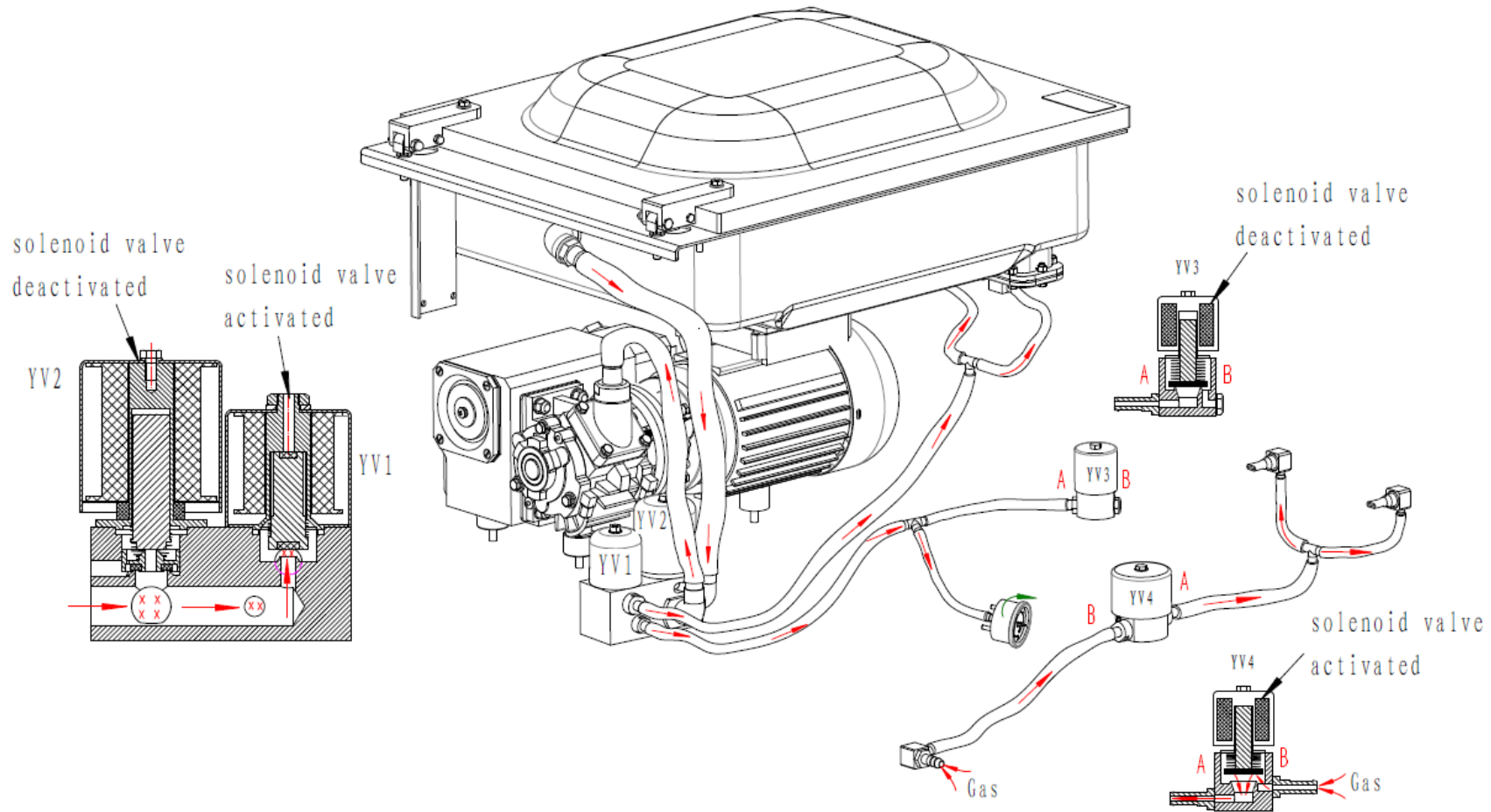


VACUUM CYCLE

4421 Waterfront Drive Glen Allen, VA 23060	Revision	Corrected identification of Relays in table p1 and corrected schematic p2				Rev. Date:	
	Description:					03/08/2022	
Request #:	DOC12462	Page:	4 of 9	Document #:	530010900	Rev:	B

Wiring Diagram & Pneumatic Diagram – XV05 Commercial Vacuum Sealer – 230V

PROPRIETARY RIGHTS NOTICE This document and all information contained within it is the property of Hamilton Beach Brands, Inc. (HBB). It is confidential and proprietary and has been provided to you for a limited purpose. It must be returned or destroyed upon request. Disclosure, reproduction or use of this document and any information contained within it, in full or in part, for any purpose is forbidden without the prior written consent of HBB. No photographs may be taken of any article fabricated or assembled from this document without the prior written consent of HBB.

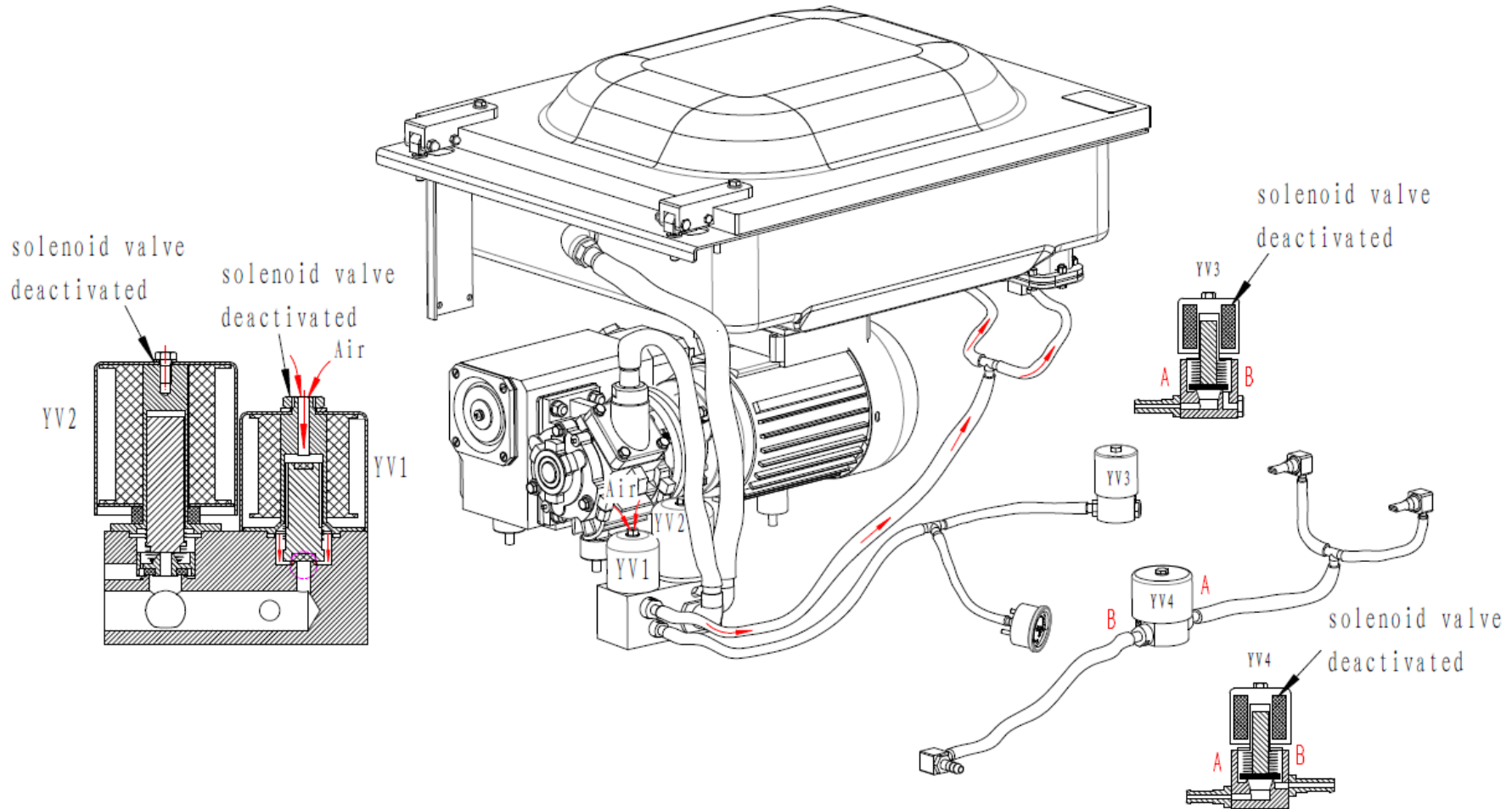


GAS CYCLE

4421 Waterfront Drive Glen Allen, VA 23060	Revision	Corrected identification of Relays in table p1 and corrected schematic p2				Rev. Date:	
	Description:					03/08/2022	
Request #:	DOC12462	Page:	5 of 9	Document #:	530010900	Rev:	B

Wiring Diagram & Pneumatic Diagram – XV05 Commercial Vacuum Sealer – 230V

PROPRIETARY RIGHTS NOTICE This document and all information contained within it is the property of Hamilton Beach Brands, Inc. (HBB). It is confidential and proprietary and has been provided to you for a limited purpose. It must be returned or destroyed upon request. Disclosure, reproduction or use of this document and any information contained within it, in full or in part, for any purpose is forbidden without the prior written consent of HBB. No photographs may be taken of any article fabricated or assembled from this document without the prior written consent of HBB.

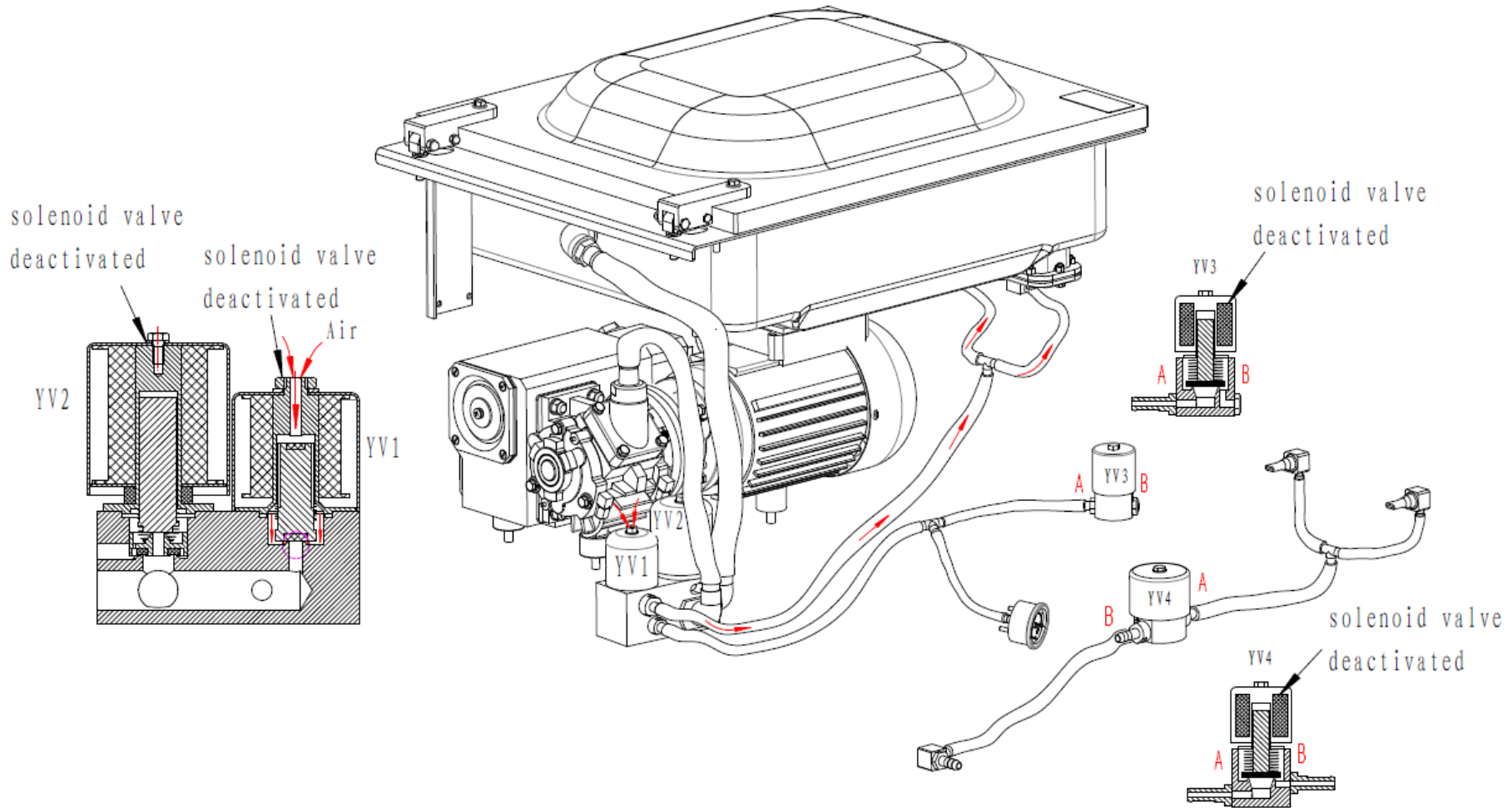


SEALING CYCLE

4421 Waterfront Drive Glen Allen, VA 23060	Revision	Corrected identification of Relays in table p1 and corrected schematic p2				Rev. Date:	
	Description:					03/08/2022	
Request #:	DOC12462	Page:	6 of 9	Document #:	530010900	Rev:	B

Wiring Diagram & Pneumatic Diagram – XV05 Commercial Vacuum Sealer – 230V

PROPRIETARY RIGHTS NOTICE This document and all information contained within it is the property of Hamilton Beach Brands, Inc. (HBB). It is confidential and proprietary and has been provided to you for a limited purpose. It must be returned or destroyed upon request. Disclosure, reproduction or use of this document and any information contained within it, in full or in part, for any purpose is forbidden without the prior written consent of HBB. No photographs may be taken of any article fabricated or assembled from this document without the prior written consent of HBB.

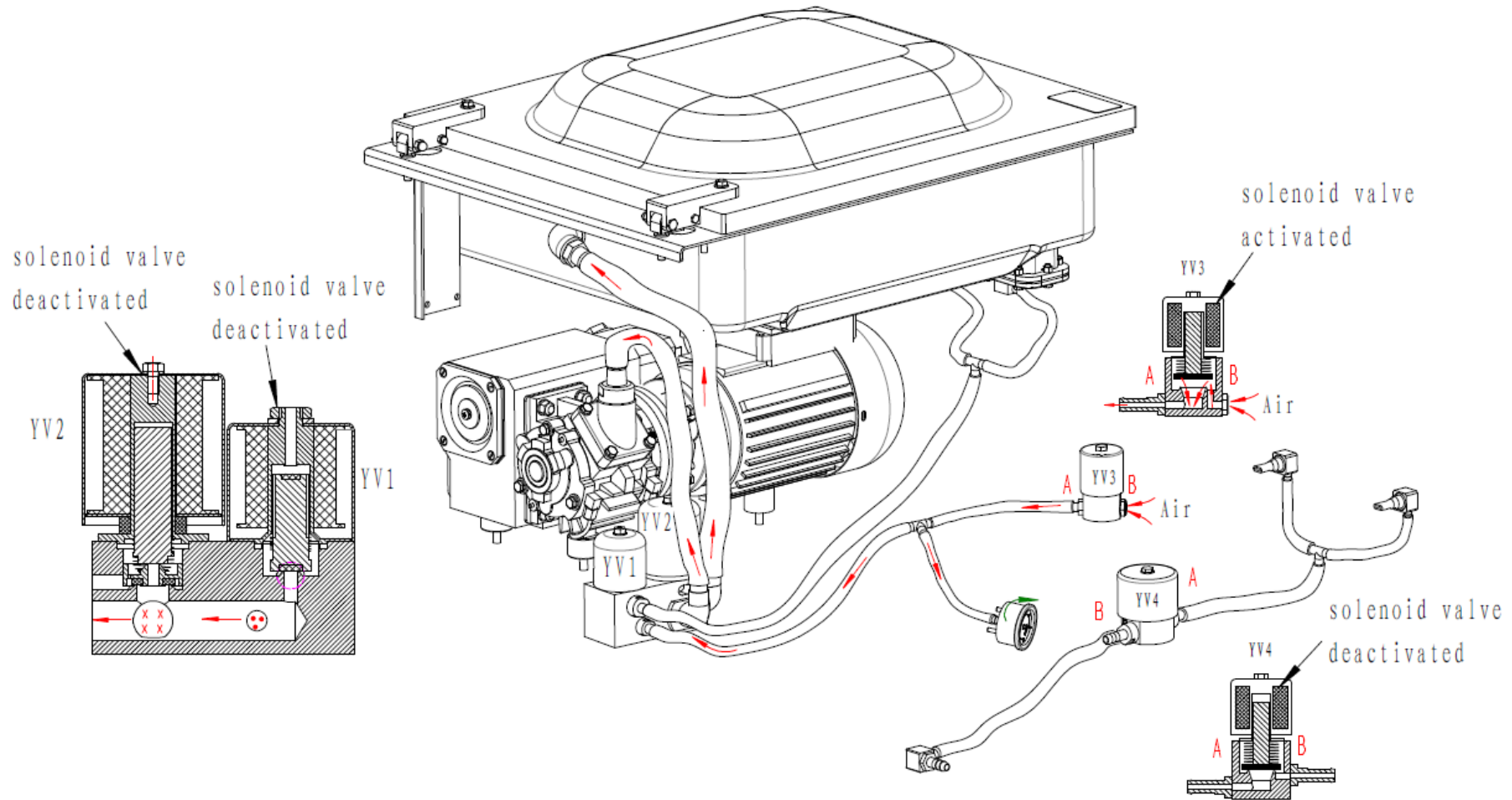


COOLING CYCLE

4421 Waterfront Drive Glen Allen, VA 23060	Revision	Corrected identification of Relays in table p1 and corrected schematic p2				Rev. Date:	
	Description:					03/08/2022	
Request #:	DOC12462	Page:	7 of 9	Document #:	530010900	Rev:	B

Wiring Diagram & Pneumatic Diagram – XV05 Commercial Vacuum Sealer – 230V

PROPRIETARY RIGHTS NOTICE This document and all information contained within it is the property of Hamilton Beach Brands, Inc. (HBB). It is confidential and proprietary and has been provided to you for a limited purpose. It must be returned or destroyed upon request. Disclosure, reproduction or use of this document and any information contained within it, in full or in part, for any purpose is forbidden without the prior written consent of HBB. No photographs may be taken of any article fabricated or assembled from this document without the prior written consent of HBB.

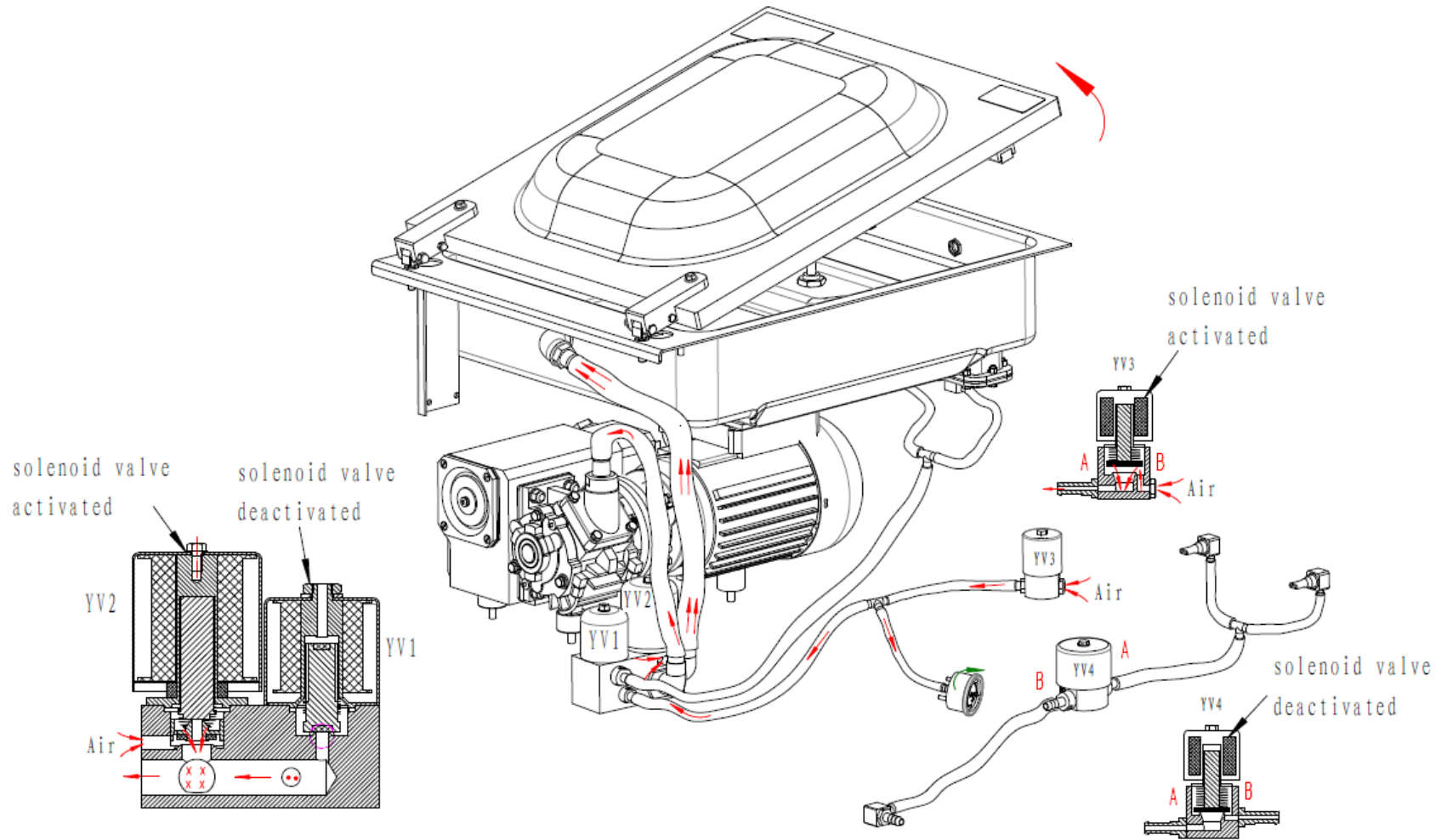


SOFT AIR CYCLE

4421 Waterfront Drive Glen Allen, VA 23060	Revision Description:	Corrected identification of Relays in table p1 and corrected schematic p2				Rev. Date:
	Request #:	DOC12462	Page:	8 of 9	Document #:	530010900

Wiring Diagram & Pneumatic Diagram – XV05 Commercial Vacuum Sealer – 230V

PROPRIETARY RIGHTS NOTICE This document and all information contained within it is the property of Hamilton Beach Brands, Inc. (HBB). It is confidential and proprietary and has been provided to you for a limited purpose. It must be returned or destroyed upon request. Disclosure, reproduction or use of this document and any information contained within it, in full or in part, for any purpose is forbidden without the prior written consent of HBB. No photographs may be taken of any article fabricated or assembled from this document without the prior written consent of HBB.



SLOW RELEASE CYCLE

4421 Waterfront Drive Glen Allen, VA 23060	Revision	Corrected identification of Relays in table p1 and corrected schematic p2				Rev. Date:	
	Description:					03/08/2022	
Request #:	DOC12462	Page:	9 of 9	Document #:	530010900	Rev:	B