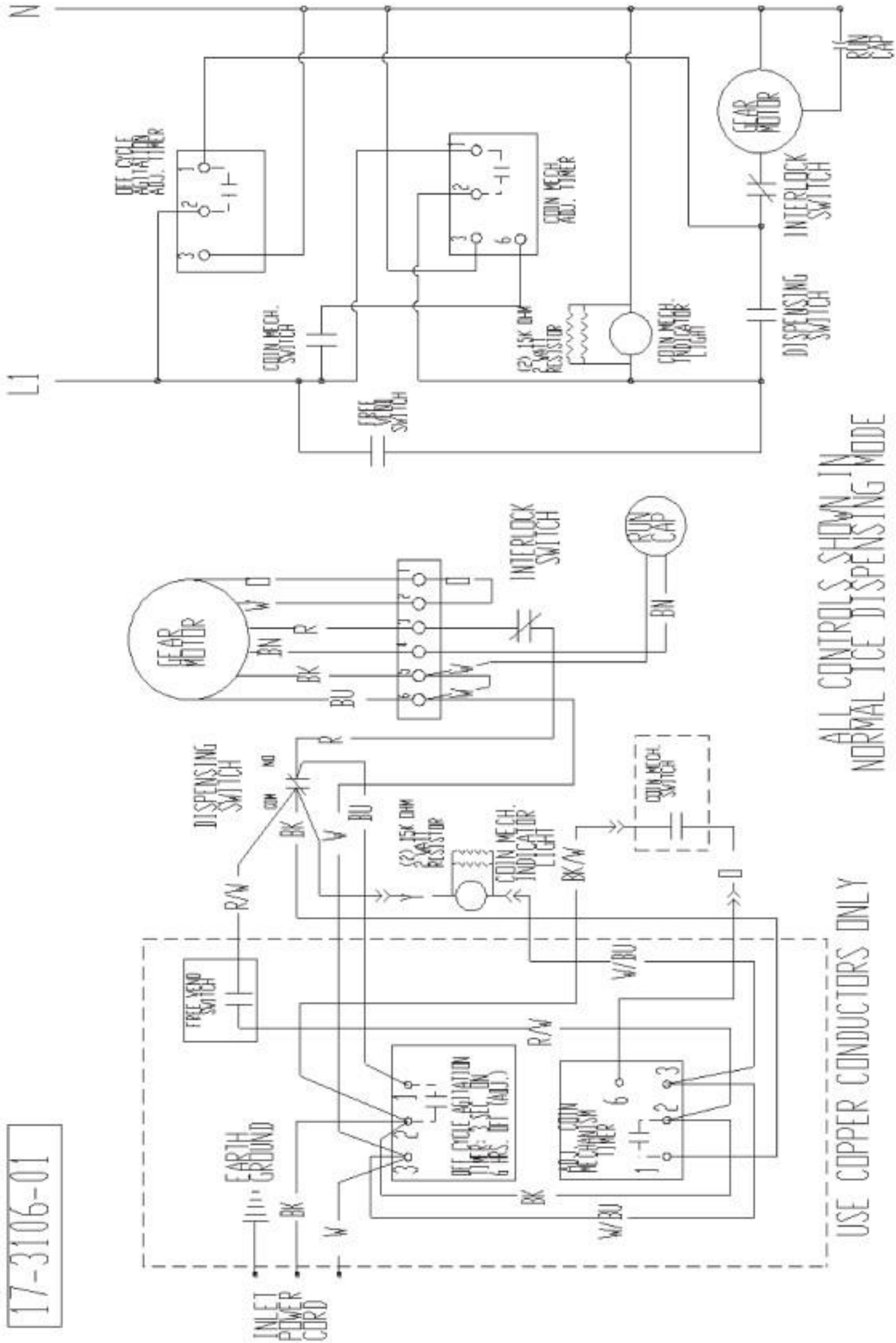


17-3106-01

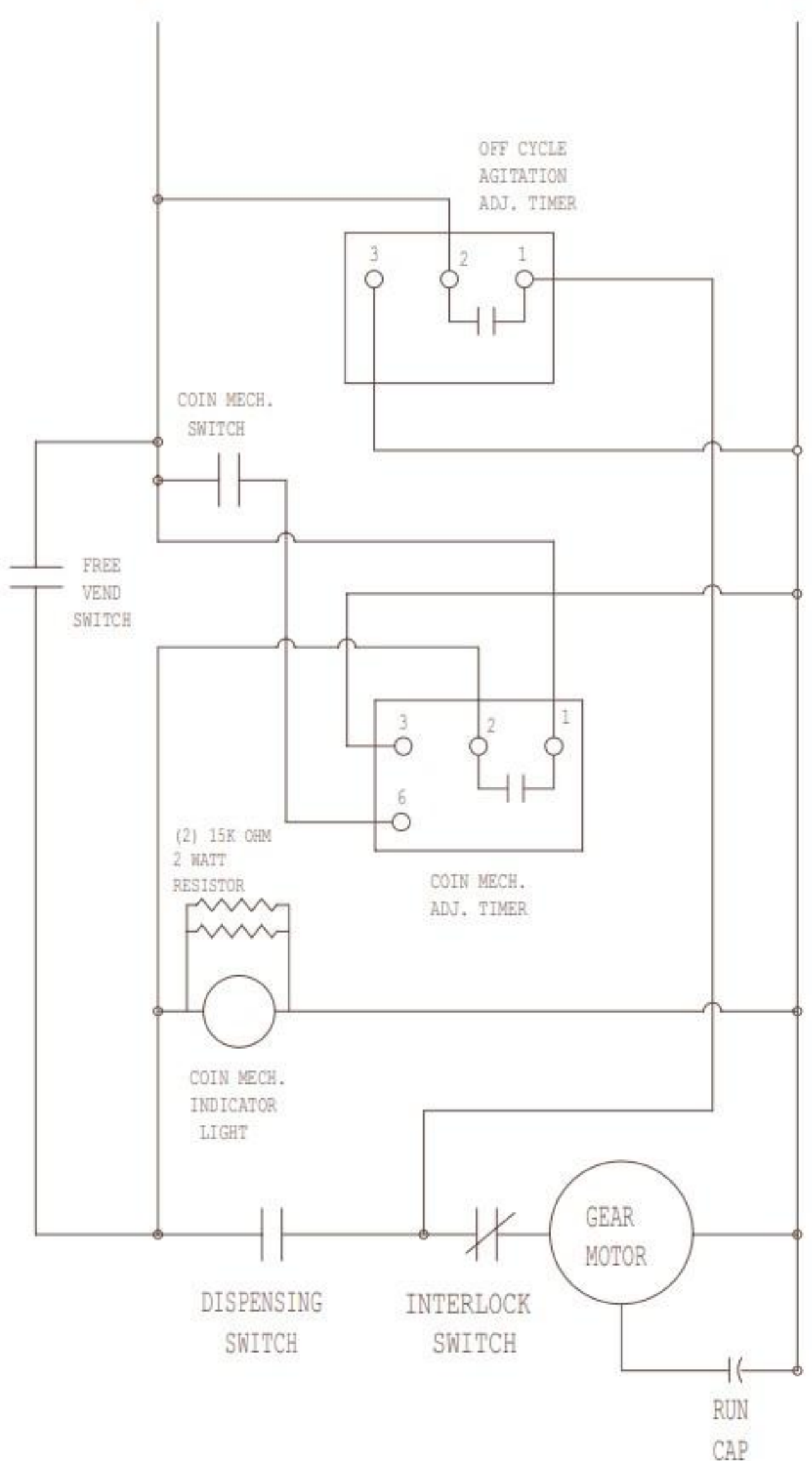


ALL CONTROLS SHOWN IN  
NORMAL ICE DISPENSING MODE

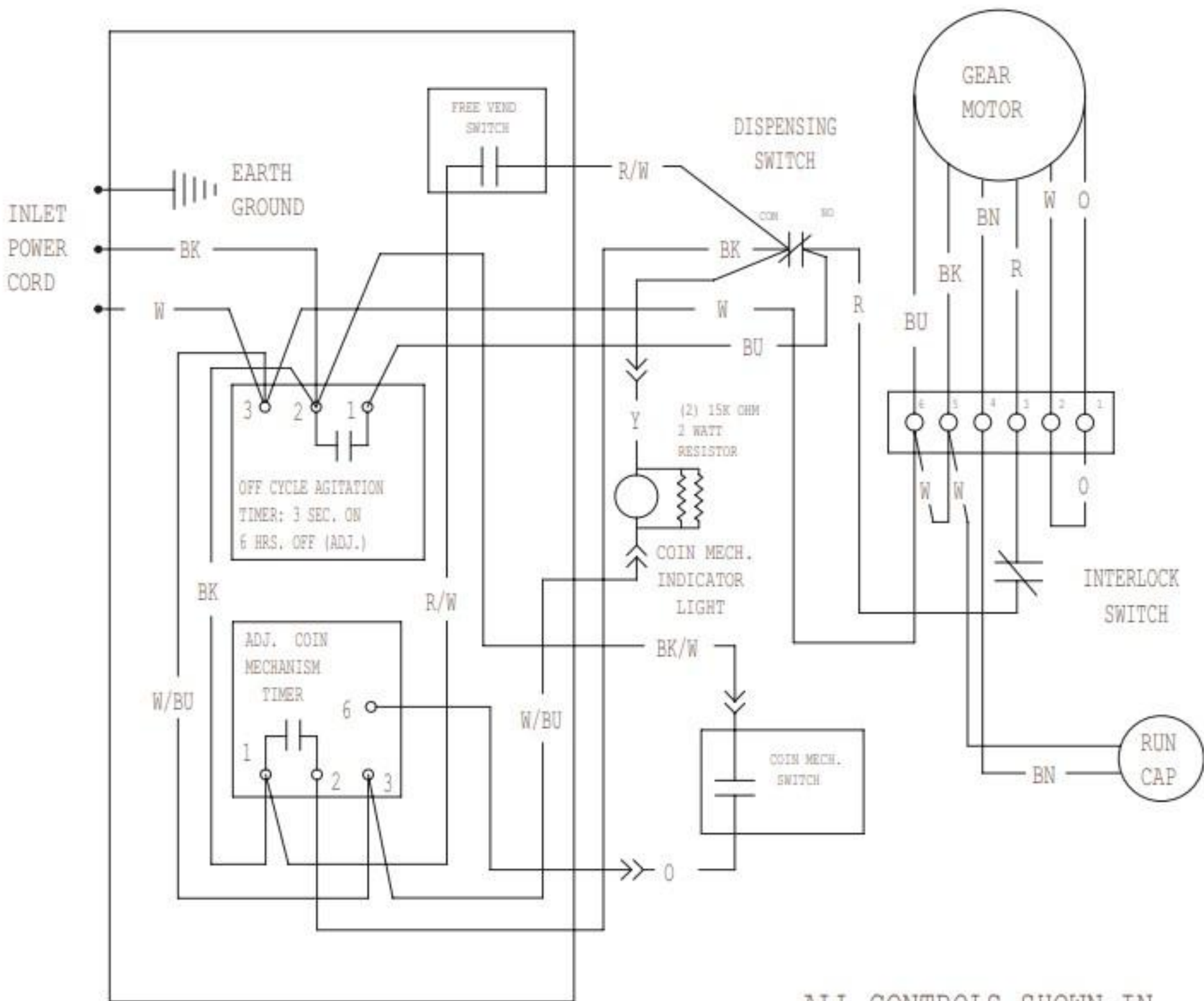
USE COPPER CONDUCTORS ONLY

L1

N



17-2967-01

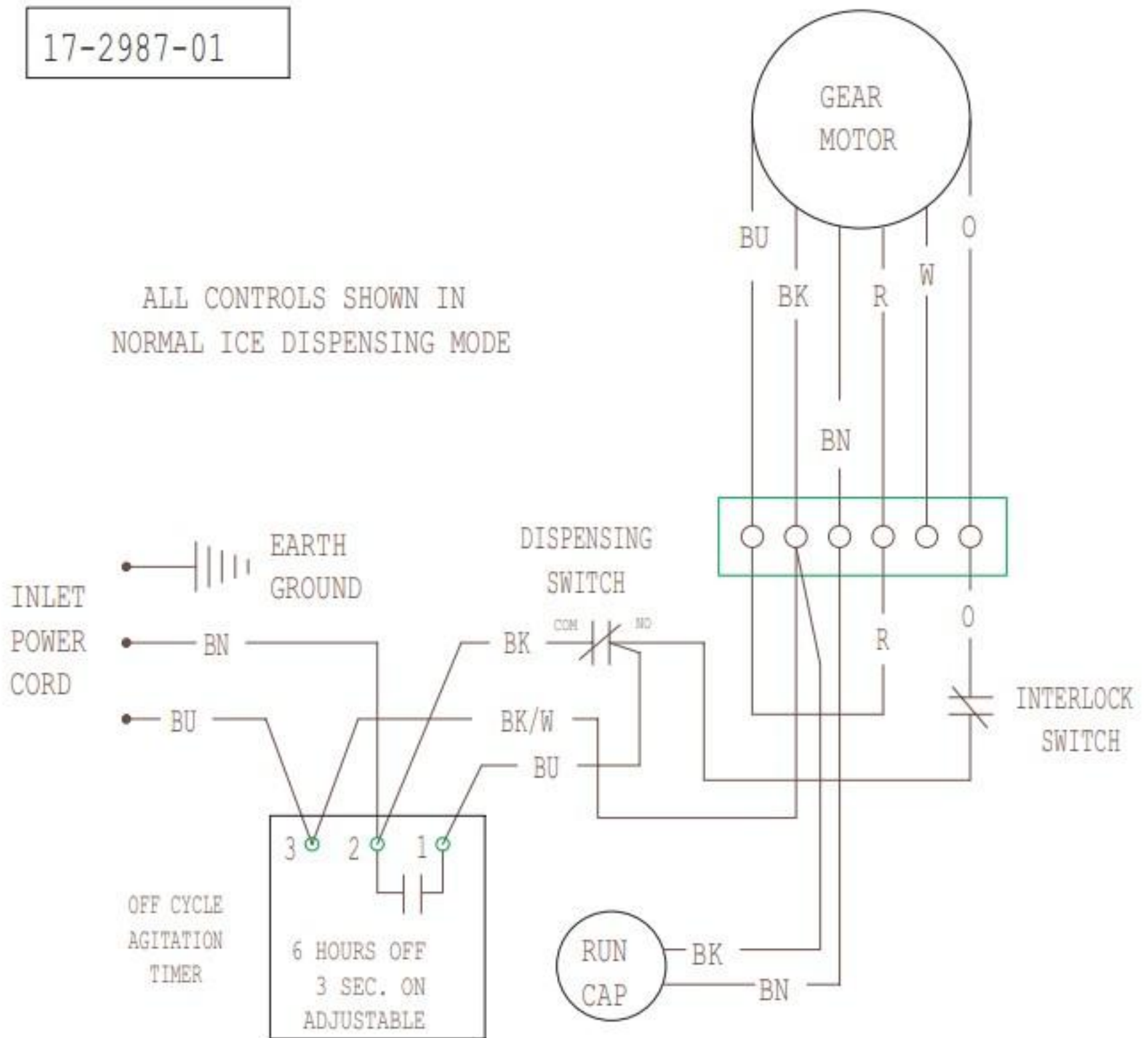


USE COPPER CONDUCTORS ONLY

ALL CONTROLS SHOWN IN  
NORMAL ICE DISPENSING MODE

17-2987-01

ALL CONTROLS SHOWN IN  
NORMAL ICE DISPENSING MODE

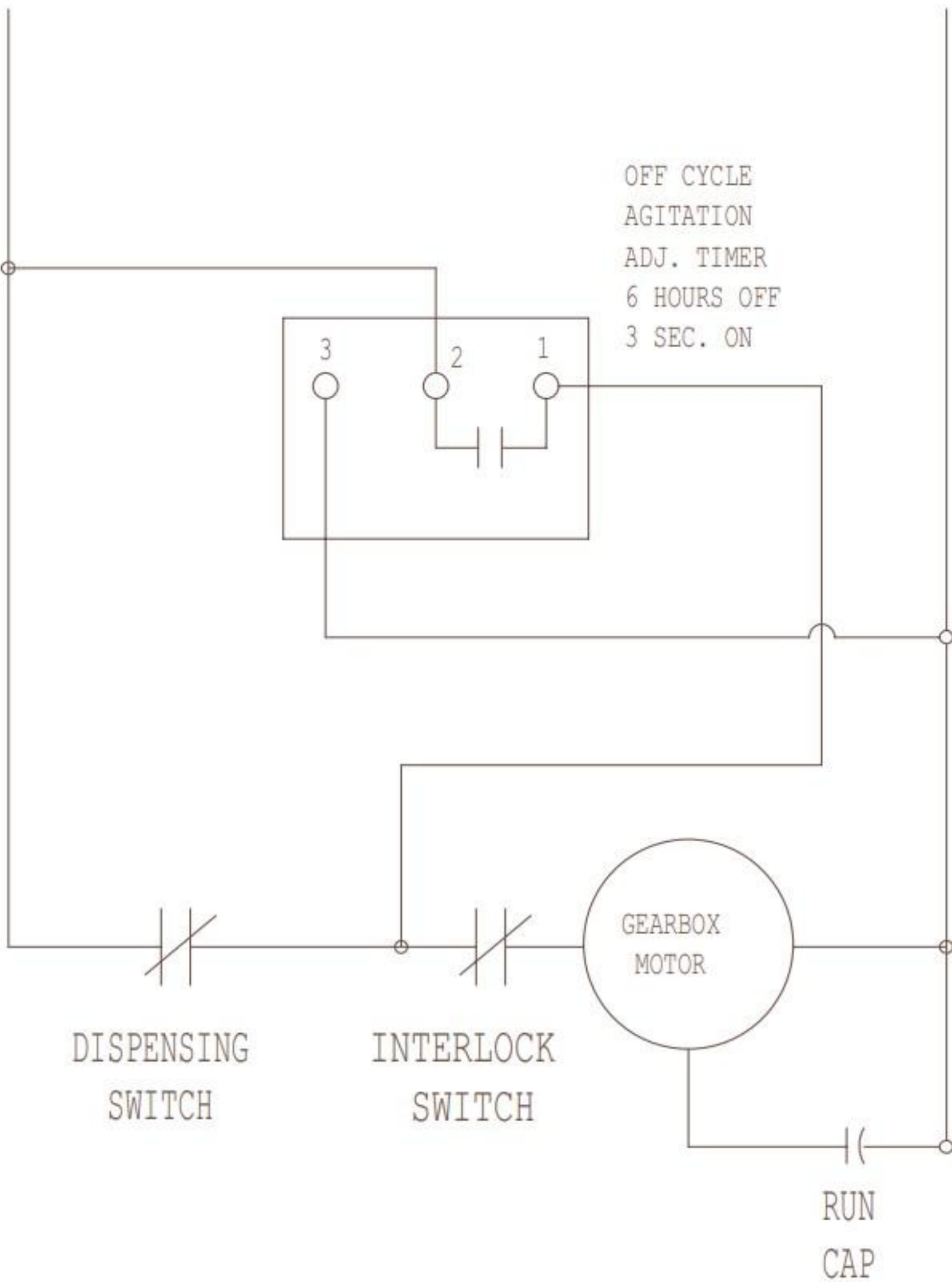


USE COPPER CONDUCTORS ONLY

L1

L2

OFF CYCLE  
AGITATION  
ADJ. TIMER  
6 HOURS OFF  
3 SEC. ON



DISPENSING  
SWITCH

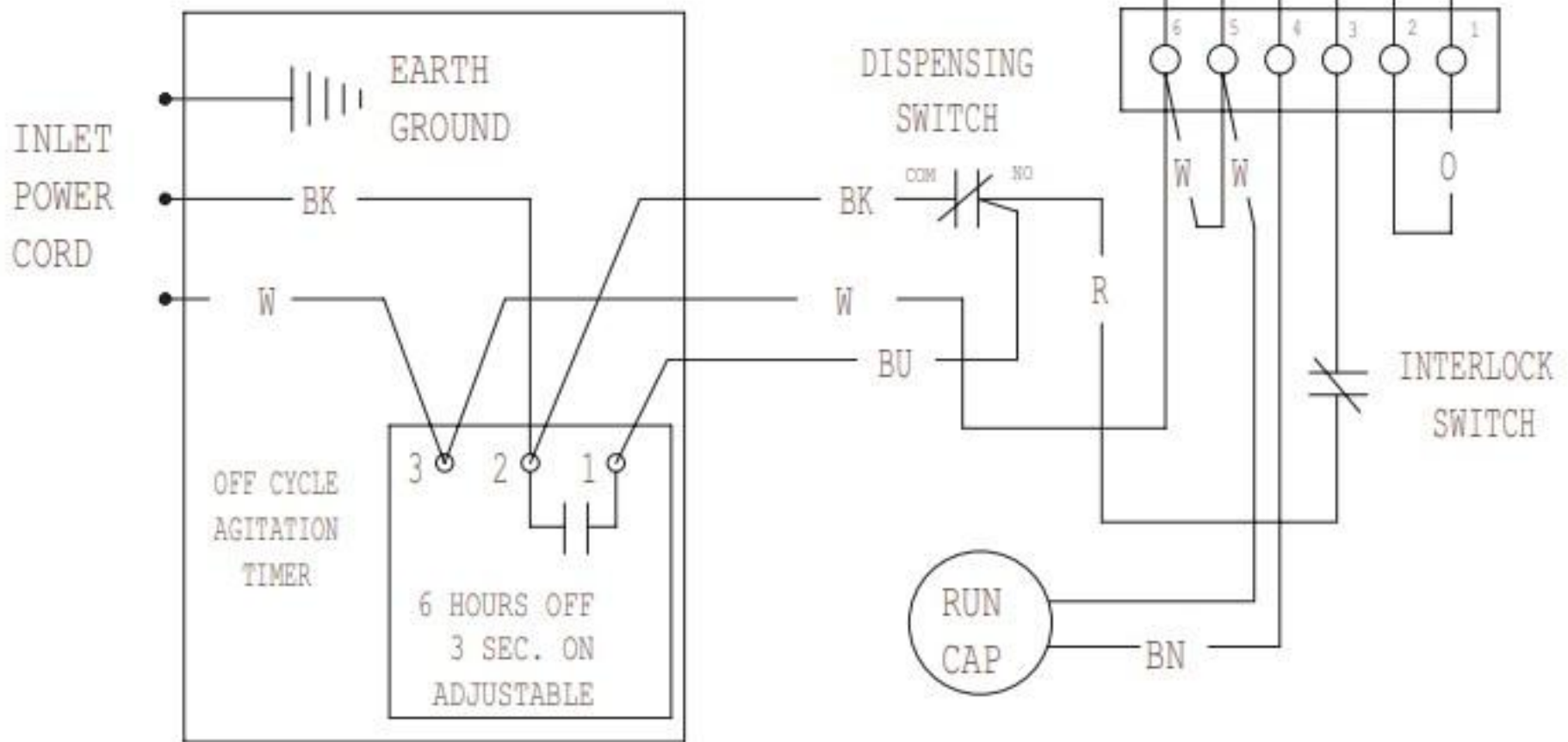
INTERLOCK  
SWITCH

GEARBOX  
MOTOR

RUN  
CAP

17-2956-01

ALL CONTROLS SHOWN IN  
NORMAL ICE DISPENSING MODE



USE COPPER CONDUCTORS ONLY