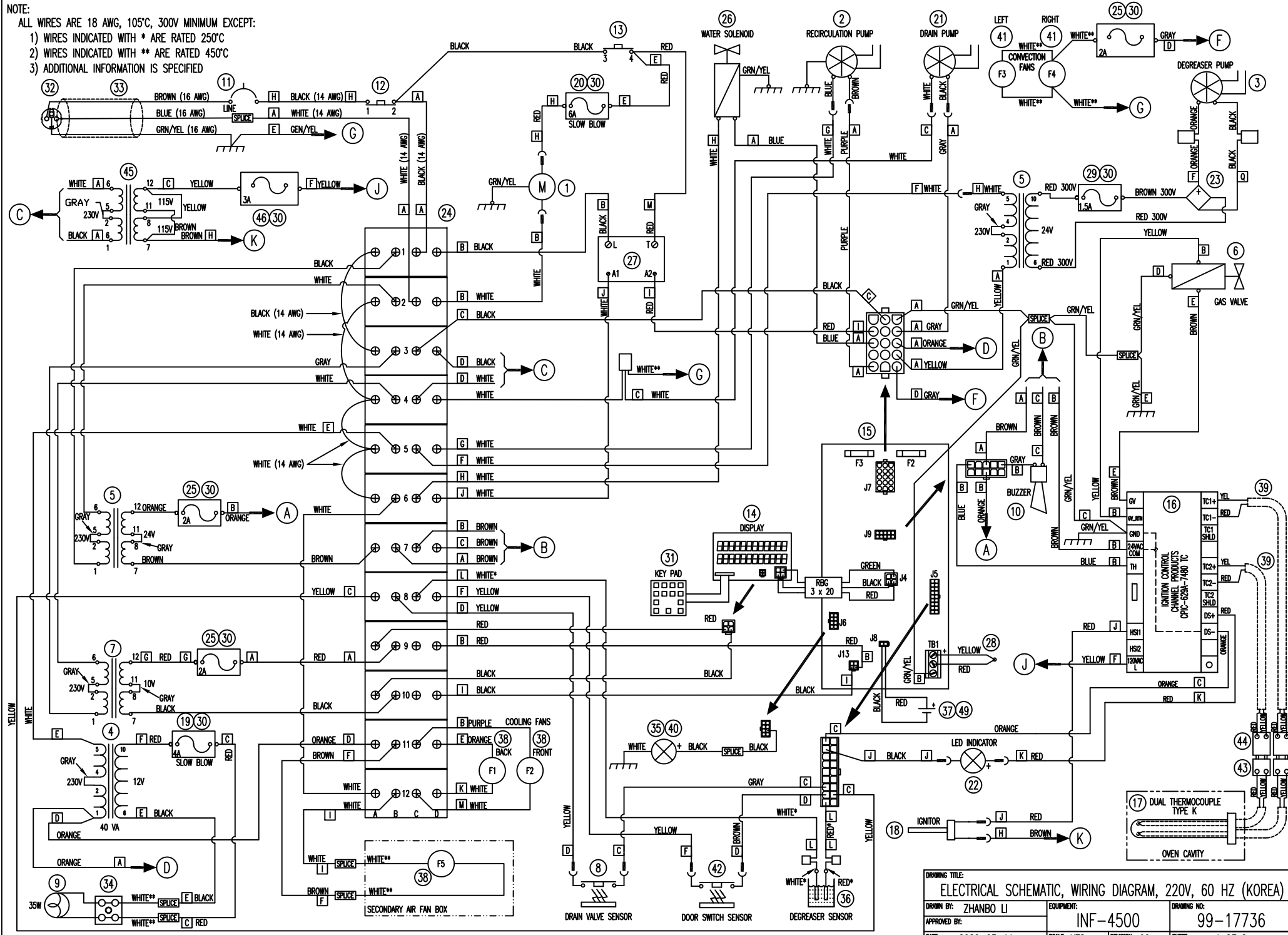


NOTE:
ALL WIRES ARE 18 AWG, 105°C, 300V MINIMUM EXCEPT:

- 1) WIRES INDICATED WITH * ARE RATED 250°C
- 2) WIRES INDICATED WITH ** ARE RATED 450°C
- 3) ADDITIONAL INFORMATION IS SPECIFIED




DRAWING TITLE: ELECTRICAL SCHEMATIC, WIRING DIAGRAM, 220V, 60 HZ (KOREA)		
DRAWN BY: ZHANBO LI	EQUIPMENT: INF-4500	DRAWING NO.:
APPROVED BY:	SCALE: NTS	REVISION: 00
DATE: 2020-03-11	SCALE:	SHEET: 1 OF 2

NOTE:
THE INFORMATION CONTAINED HEREIN IS THE PROPERTY OF HARDT EQUIPMENT MANUFACTURING INC. ANY REPRODUCTION, DISCLOSURE OR USE THEREOF IS PERMITTED ONLY AS PROVIDED BY CONTRACT, OR AS AUTHORIZED IN WRITING BY HARDT EQUIPMENT MANUFACTURING INC.


HARDT EQUIPMENT MANUFACTURING INC.
TEL: (514) 631-7271 FAX: (514) 631-7172

30	7	5474	HOLDER, FUSE, SINGLE (FOR 1/4 X 1 1/4" FUSES)
29	1	5581	FUSE 1.5-AMP FAST-BLOW 1/4 x 1 1/4"
28	1	4220.0.550	PROBE, TEMPERATURE, TYPE-K THERMOCOUPLE
27	1	6517	SOLID STATE RELAY SIEMENS 3RF2020-1AA22
26	1	20267.CE	VALVE SOLENOID 230V 50HZ
25	3	20260	FUSE 2-AMP FAST-BLOW 1/4" x 1-1/4"
24	12	11009.CE	TERMINAL W FEED-THROUGH SCREW CONNECTION
23	1	8265	RECTIFIER, BRIDGE
22	1	6643	INDICATOR LAMP RED LED 12V
21	1	30569	DRAIN PUMP, 1PH, 200-240V, 50/60HZ (SEE 99-16510)
20	1	4099	FUSE 6-AMP SLOW-BLOW 1/4" X 1 1/4"
19	1	4065.CE	USE 4-AMP SLOW-BLOW 1/4" X 1 1/4"
18	1	6999	IGNITOR, HOT SURFACE (Si)
17	1	7803	FLAME SENSOR, DUAL THERMOCOUPLE TYPE K
16	1	7453	MODULE, IGNITION , CHANNEL PRODUCTS, THERMAL SENSING
15	1	99-17883	BOARD ASSEMBLY, CONTROLLER
14	1	4591	BOARD ASSEMBLY, DISPLAY
13	1	4563	SWITCH GREEN MANUAL ADVANCE NO
12	1	4320	SWITCH RED MAIN ON/OFF NC
11	1	4067.CE	CIRCUIT BREAKER 6.5A 240VAC 7.5A TRIP 50/60HZ
10	1	4302	BUZZER 24V
9	1	8998	LIGHT BULB, MR11 XENON, 12V 35W, 30 DEG
8	1	4102	REED SENSOR MK11 S/S M5 THREAD
7	1	6996.CE	TRANSFORMER 230V PRIMARY 10V SECONDARY 50HZ
6	1	4021	VALVE, GAS
5	2	4010.CE	TRANSFORMER 115/230V PRIMARY 24V SECONDARY 50HZ 40VA
4	1	3787	TRANSFORMER 115/230V PRIMARY 12V SECONDARY 50HZ 40VA
3	1	3766	PUMP, DEGREASER
2	1	99-17118	RECIRCULATION PUMP ASSY 200-240V
1	1	3127	MOTOR 1/3HP 115/230VAC 50/60HZ
ITEM	QTY	PART	DESCRIPTION

46	1	4003	USE 3-AMP FAST BLOW 1/4" x 1 1/4"
45	1	7640	TRANSFORMER 230V PRIMARY 115V SECONDARY 50/60HZ 130VA
44	1	7414	BATTERY HOLDER SIZE C
44	2	14010	THERMOCOUPLE CONNECTOR CERAMIC FEMALE
43	2	14000	THERMOCOUPLE CONNECTOR CERAMIC MALE
42	1	14045	REED PROXIMITY SENSOR HIGH TEMP MK21M (TYPE B)
41	2	14167	CONVECTION FAN
40	1	7319	CHROME BASE W/OPEN BACK (FOR INDICATOR LIGHT #7318)
39	2	(REF.6516)	THERMOCOUPLE EXTENSION CABLE,TYPE-K, 2-WIRE, 260C, 24AWG, POLYMER JACKET
38	3	7419	FAN TUBE AXIAL 18W 230V
37	1	7413	BATTERY LITHIUM "C" CELL 3.6V -55°C TO 150°C
36	1	3849	DEGREASER HOSE ASSEMBLY (OPEN LOOP)
35	1	99-17371	INDICATOR LIGHT AMBER LED 2-WIRE (USE WITH BASE #7319)
34	1	4268	TERMINAL CERAMIC 2-POLE
33	1	7441	CABLE PVC BLACK 60227 IEC57 (RWV-90) 3 x 1.5mm ² 300V
32	1	7421	PLUG GR/GC "SCHUKO" CEE 7/7
31	1	99-15310	KEYPAD ASSEMBLY

DRAWING TITLE:			
PARTS LIST, WIRING DIAGRAM, 220V, 60HZ (KOREA)			
DRAWN BY:	ZHANBO LI	EQUIPMENT:	INF-4500
APPROVED BY:		DRAWING NO:	99-17736
DATE:	2020-03-11	SCALE:	NTS
		REVISION:	00
		SHEET:	2 OF 2
NOTE: THE INFORMATION CONTAINED HEREIN IS THE PROPERTY OF HARDT EQUIPMENT MANUFACTURING INC. ANY REPRODUCTION, DISCLOSURE OR USE THEREOF IS FORBIDDEN UNLESS AS PROVIDED BY CONTRACT, OR AS AUTHORIZED IN WRITING BY HARDT EQUIPMENT MANUFACTURING INC.		 HARDT EQUIPMENT MANUFACTURING INC. TEL: (514) 631-7271 FAX: (514) 631-7172	

REVISION 00 - 2020-03-11
1. ORIGINAL RELEASE

DRAWING TITLE:			
PARTS LIST, WIRING DIAGRAM, 220V, 60HZ (KOREA)			
DRAWN BY:	ZHANBO LI	EQUIPMENT:	DRAWING NO:
APPROVED BY:		INF-4500	99-17736
DATE:	2020-03-11	SCALE: NTS	REVISION: 00 SHEET: 3 OF 2
NOTE: THE INFORMATION CONTAINED HEREIN IS THE PROPERTY OF HARDT EQUIPMENT MANUFACTURING INC. ANY REPRODUCTION, DISCLOSURE OR USE THEREOF IS PERMITTED ONLY AS PROVIDED BY CONTRACT, OR AS AUTHORIZED IN WRITING BY HARDT EQUIPMENT MANUFACTURING INC.			HARDT EQUIPMENT MANUFACTURING INC. TEL: (514) 631-7271 FAX: (514) 631-7172

30	6	5474	5474	HOLDER, FUSE, SINGLE (FOR 1/4 X 1 1/4" FUSES)
29	1	5581	5581	FUSE 1.5-AMP FAST-BLOW 1/4 x 1 1/4"
28	1	4220.0.550	4220.0.550	PROBE, TEMPERATURE, TYPE-K THERMOCOUPLE
27	1	6517	6517.UPGRADE	SOLID STATE RELAY SIEMENS 3RF2020-1AA22
26	1	20406	20406	VALVE, SOLENOID
25	3	20260	20260	FUSE 2-AMP FAST-BLOW 1/4 x 1-1/4
24	1	11009	11009	TERMINAL BLOCK 12-POSITION
23	1	8265	8265	RECTIFIER, BRIDGE
22	1	6643	6669	INDICATOR LAMP RED LED 12V
21	1	7322	99-16447	DRAIN PUMP (SEE 99-16447)
20	1	7127	7127	FUSE 12-AMP SLOW-BLOW 1/4 x 1-1/4"
19	1	4065	4065	FUSE 4-AMP SLOW-BLOW 1/4 x 1-1/4"
18	1	6999	99-16663	IGNITOR, HOT SURFACE (Si)
17	1	7803	99-16860	FLAME SENSOR, DUAL THERMOCOUPLE TYPE K
16	1	7453	7453	MODULE, IGNITION, CHANNEL PRODUCTS, THERMAL SENSING
15	1	4592	4114.COS-JP	BOARD ASSEMBLY, CONTROLLER
14	1	4591	4591.NEW	BOARD ASSEMBLY, DISPLAY
13	1	4563	4563	SWITCH GREEN MANUAL ADVANCE NO
12	1	4320	4320	SWITCH RED MAIN ON/OFF NC
11	1	4067	4067	CIRCUIT BREAKER SEALED 12.5A 240VAC 15.6A TRIP
10	1	4302	4302	BUZZER 24V
9	1	8998	8998	LIGHT BULB HALOGEN MR11 12V 20W BLAZE/3500/GC/4500 SVC-035-0001
8	1	4102	14064	REED SENSOR MK11 S/S M5 THREAD
7	1	6996	6996	TRANSFORMER 115V/10VAC
6	1	14205	14205	GAS VALVE 3-5"W.C. VR8205A2124/B
5	2	4010.JAPAN	4010.JAPAN	TRANSFORMER 120V/24VAC 50/60HZ
4	1	3787	3787	TRANSFORMER 115V/12VAC
3	1	14077	99-17792	PUMP 1/4" HOSE 24VDC (NEW DEGREASER)
2	1	99-16475	99-16475	RECIRCULATION PUMP ASS'Y 100-130V
1	1	3127	3127	MOTOR 1/3HP 115/230VAC 50/60HZ
ITEM	QTY	PART NO.	SERVICE NO.	DESCRIPTION

52	1	6818	6818	HARNESS CONTROLLER TO DISPLAY
51	1	9013	9013	LAMP HOLDER HALOGEN BI-PIN G4 W/18" LEADS
50	3	7638	7638	SPLICING CONNECTOR 3 CONDUCTOR TERMINAL BLOCK
49	1	7414	14050	BATTERY HOLDER SIZE C
48	2	14010	14010	THERMOCOUPLE CONNECTOR CERAMIC FEMALE
47	2	14000	14000	THERMOCOUPLE CONNECTOR CERAMIC MALE
46				
45	1	14045	14045	REED PROXIMITY SENSOR HIGH TEMP MK21M (TYPE B)
44	2	7559	14124	CONVECTION FAN
43	1	7319	7317	CHROME BASE W/OPEN BACK (FOR INDICATOR LIGHT #99-17371)
42	1	7457	7457	TERMINAL BLOCK EURO CERAMIC 30A 300V
41	3	(REF.6516)	14214	THERMOCOUPLE EXTENSION CABLE,TYPE-K, 2-WIRE, 260C, 24AWG, POLYMER JACKET
38	3	7410	7410	FAN TUBE AXIAL 18W 115V (COOLING)
37	1	7413	7413	BATTERY LITHIUM "C" CELL 3.6V -55°C TO 150°C
36				
35	1	99-17371	7317	INDICATOR LIGHT AMBER LED 2-WIRE (USE WITH BASE #7319)
34	1	4268	4268	TERMINAL CERAMIC 2-POLE
33	1	4571	4571	CORD, POWER MOLDED 14/3 SJTOW 9-FOOT LENGTH
31	1	99-15310	99-15310	KEYPAD ASSEMBLY
ITEM	QTY	PART NO.	SERVICE NO.	DESCRIPTION

DRAWING TITLE: ELECTRICAL SCHEMATIC, WIRING DIAGRAM 100-120V, 50HZ (JAPAN)			
DRAWN BY: XIN Z.	EQUIPMENT: INF-4500	DRAWING NO: 99-17737	
APPROVED BY:	DATE: 2020-12-09	REVISION: 01	SHEET: 2 OF 2

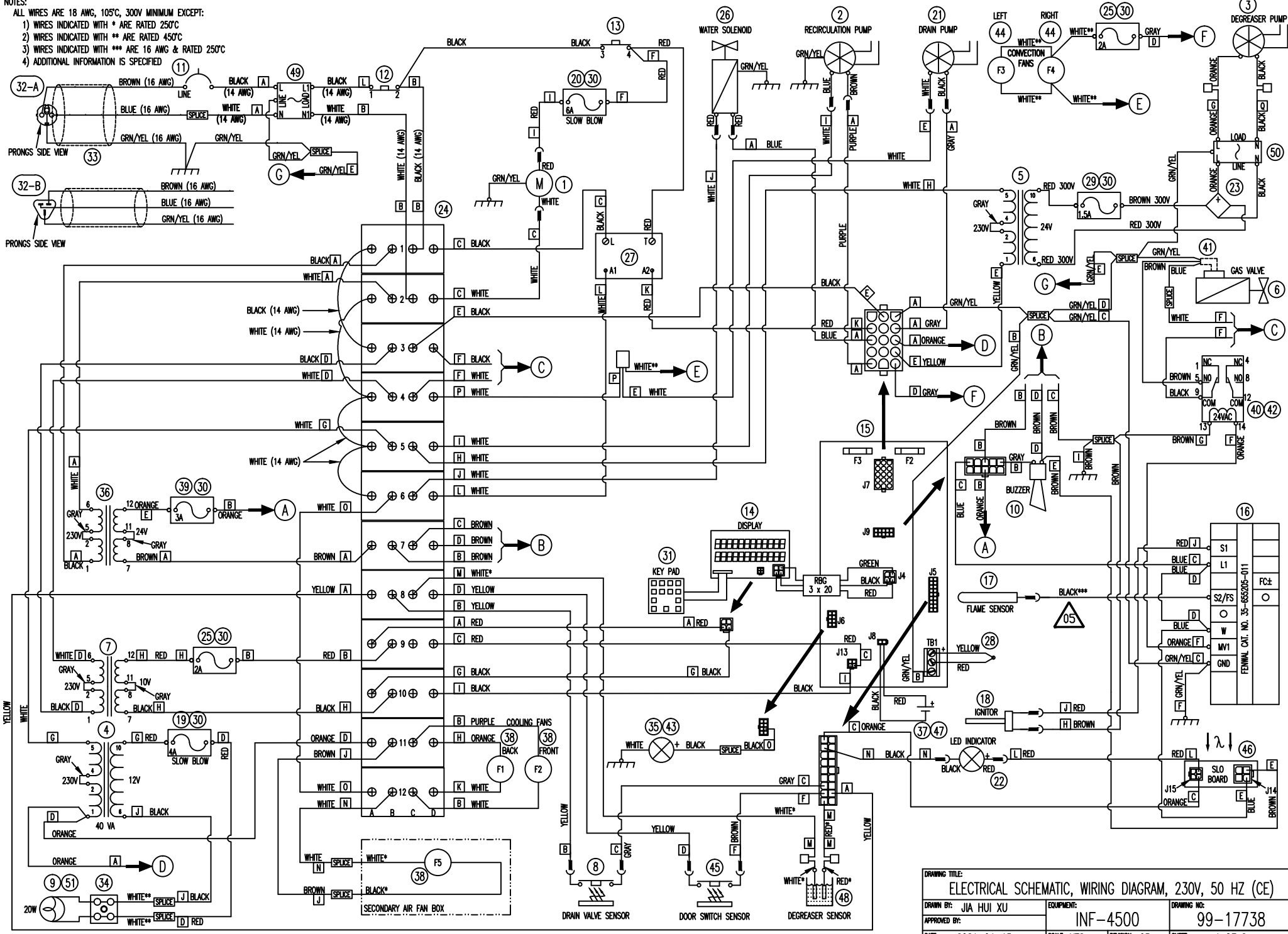
NOTE:
THE INFORMATION CONTAINED HEREIN IS THE PROPERTY OF HARDT EQUIPMENT MANUFACTURING INC. ANY REPRODUCTION, DISCLOSURE OR USE THEREOF IS FORBIDDEN UNLESS AUTHORIZED BY CONTRACT, OR AS AUTHORIZED IN WRITING BY HARDT EQUIPMENT MANUFACTURING INC.



HARDT EQUIPMENT MANUFACTURING INC.

TEL: (514) 631-7271 FAX: (514) 631-7172

- NOTES:
 ALL WIRES ARE 18 AWG, 105°C, 300V MINIMUM EXCEPT:
 1) WIRES INDICATED WITH * ARE RATED 250°C
 2) WIRES INDICATED WITH ** ARE RATED 450°C
 3) WIRES INDICATED WITH *** ARE 16 AWG & RATED 250°C
 4) ADDITIONAL INFORMATION IS SPECIFIED



DRAWING TITLE: ELECTRICAL SCHEMATIC, WIRING DIAGRAM, 230V, 50 HZ (CE)		
DRAWN BY: JIA HUI XU	EQUIPMENT: INF-4500	DRAWING NO.:
DATE: 2021-04-15	SCALE: NTS	REVISION: 05
		SHEET: 1 OF 2
DRAWING NO.:		
99-17738		

NOTE:
 THE INFORMATION CONTAINED HEREIN IS THE PROPERTY OF HARDT EQUIPMENT MANUFACTURING INC. ANY REPRODUCTION, DISCLOSURE OR USE THEREOF IS PERMITTED ONLY AS PROVIDED BY CONTRACT, OR AS AUTHORIZED IN WRITING BY HARDT EQUIPMENT MANUFACTURING INC.

30	6	5474	HOLDER, FUSE, SINGLE (FOR 1/4 X 1 1/4" FUSES)
29	1	5581	FUSE 1.5-AMP FAST-BLOW 1/4 x 1 1/4"
28	1	4220.0.550	PROBE, TEMPERATURE, TYPE-K THERMOCOUPLE
27	1	6517	SOLID STATE RELAY SIEMENS 3RF2020-1AA22
26	1	20267.CE	VALVE SOLENOID 100-240V 50HZ
25	2	20260	FUSE 2-AMP FAST-BLOW 1/4" x 1-1/4"
24	12	11009.CE	TERMINAL BLOCK 1-POLE 4-CONTACT
23	1	8265	RECTIFIER, BRIDGE
22	1	6643	INDICATOR LAMP RED LED 12V
21	1	30569	DRAIN PUMP, 1PH, 200-240V, 50/60HZ (SEE 99-16510)
20	1	4099	FUSE 6-AMP SLOW-BLOW 1/4" X 1 1/4"
19	1	4065.CE	FUSE 4-AMP SLOW-BLOW 1/4" X 1 1/4"
18	1	6999.CE	IGNITER HOT SURFACE 24V
17	1	6719	FLAME SENSOR, DUAL PROBE
16	1	6721.CE	IGNITION MODULE FENWAL 50/60HZ
15	1	4592	BOARD ASSEMBLY, CONTROLLER
14	1	4591	BOARD ASSEMBLY, DISPLAY
13	1	4563	SWITCH GREEN MANUAL ADVANCE NO
12	1	4320	SWITCH RED MAIN ON/OFF NC
11	1	4067.CE	CIRCUIT BREAKER 7.5A 240VAC 9.38A TRIP 50/60HZ
10	1	4302	BUZZER 24V
9	1	8998	LIGHT BULB, MR11 XENON, 12V 20W, 30 DEG
8	1	4102	REED SENSOR MK11 S/S M5 THREAD
7	1	6996.CE	TRANSFORMER 115/230V, 5/10V, 50/60HZ, 25VA
6	1	4034	GAS VALVE 230V 50HZ
5	1	4010.CE	TRANSFORMER 115/230V PRIMARY 24V SECONDARY 50HZ 40VA
4	1	3787	TRANSFORMER 115/230V PRIMARY 12V SECONDARY 50HZ 40VA
3	1	3766	PUMP, DEGREASER
2	1	99-17118	RECIRCULATION PUMP ASS'Y 200-240V
1	1	3127	MOTOR 1/3HP 115/230VAC 50/60HZ
ITEM	QTY	PART	DESCRIPTION

51	1	9013	LAMP HOLDER HALOGEN BI-PIN G4 W/18" LEADS
50	1	14212	DC LINE FILTER 80V 6A
49	1	14213	AC LINE FILTER 250V 50/60HZ 10A
48	1	3849	DEGREASER HOSE ASSEMBLY (OPEN LOOP)
47	1	7414	BATTERY HOLDER SIZE C
46	1	6639	SLO BOARD ASSEMBLY
45	1	14045	REED PROXIMITY SENSOR HIGH TEMP MK21M (TYPE B)
44	2	14167	MOTOR 220-240V 50/60HZ FOR CONVECTION FAN
43	1	7319	CHROME BASE W/OPEN BACK (FOR INDICATOR LIGHT #7318)
42	1	4094	SOCKET FOR RELAY
41	1	4271	PLUG 3-WIRE HONEYWELL
40	1	4093	RELAY 24VAC COIL, DPDT, 10A
39	1	4003	FUSE 3-AMP FAST BLOW 1/4" x 1 1/4"
38	3	7419	FAN TUBE AXIAL 18W 230V
37	1	7413	BATTERY LITHIUM "C" CELL 3.6V -55°C TO 150°C
36	1	4010.CE2	TRANSFORMER 115/230V, 12/24V, 50/60HZ, 80VA
35	1	7318	INDICATOR LIGHT AMBER LED 2-WIRE (USE WITH BASE #7319)
34	1	4268	TERMINAL CERAMIC 2-POLE
33	1	7441	CABLE PVC BLACK 60227 IEC57 (RVW-90) 3 x 1.5mm ² 300V
32-B	1	7417	PLUG 13AMP 250 V, UK
32-A	1	7421	PLUG "SCHUKO" CEE 7/7
31	1	99-15310	KEYPAD ASSEMBLY

DRAWING TITLE:			
ELECTRICAL SCHEMATIC, WIRING DIAGRAM, 230V, 50 HZ (CE)			
DRAWN BY: JIA HUI XU		EQUIPMENT:	DRAWING NO:
APPROVED BY:		INF-4500	99-17738
DATE: 2021-04-15	SCALE: NTS	REVISION: 05	SHEET: 2 OF 2

NOTE:
THE INFORMATION CONTAINED HEREIN IS THE PROPERTY OF HARDT EQUIPMENT MANUFACTURING INC. ANY REPRODUCTION, DISCLOSURE OR USE THEREOF IS PERMITTED ONLY AS PROVIDED BY CONTRACT, OR AS AUTHORIZED IN WRITING BY HARDT EQUIPMENT MANUFACTURING INC.



HARDT EQUIPMENT MANUFACTURING INC.
TEL: (514) 631-7271 FAX: (514) 631-7172

REVISION 00 - 2019-11-20

1. ORIGINAL RELEASE

REVISION 01 2020-1-08

1. REVISED SCHEMATIC

REVISION 02 2020-1-28

1. REPLACED ITEM 4 AND ITEM 44
2. CORRECTED TYPOS IN ITEM 19 AND ITEM 32-A

REVISION 03 2020-01-29

1. REVISED SCHEMATIC (ECO# 3028)
2. ADDED PART #9013 (ECO# 2990)

REVISION 04 2021-04-08

1. REMOVE THE WIRE USED TO CONNECT CONTROLLER TO BX CABLE FOR FLAME SENSOR (ECO# 3109)

REVISION 05 2021-04-15

1. REMOVE THE ID TAG FROM THE BX CABLE FOR FLAME SENSOR (ECO# 3140)

DRAWING TITLE: ELECTRICAL SCHEMATIC, WIRING DIAGRAM, 230V, 50 HZ (CE)			
DRAWN BY: JIA HUI XU	EQUIPMENT: INF-4500	DRAWING NO: 99-17738	
APPROVED BY:			
DATE: 2021-04-15	SCALE: NTS	REVISION: 05	SHEET: 3 OF 2

NOTE:
THE INFORMATION CONTAINED HEREIN IS THE PROPERTY OF HARDT EQUIPMENT
MANUFACTURING INC. ANY REPRODUCTION, DISCLOSURE OR USE THEREOF IS
PERMITTED ONLY AS PROVIDED BY CONTRACT, OR AS AUTHORIZED IN WRITING
BY HARDT EQUIPMENT MANUFACTURING INC.



HARDT EQUIPMENT MANUFACTURING INC.

TEL: (514) 631-7271 FAX: (514) 631-7172

30	6	5474	5474	HOLDER, FUSE, SINGLE (FOR 1/4 X 1 1/4" FUSES)
29	1	5581	5581	FUSE 1.5-AMP FAST-BLOW 1/4 x 1 1/4"
28	1	4220.0.550	4220.0.550	PROBE, TEMPERATURE, TYPE-K THERMOCOUPLE
27	1	6517	6517.UPGRADE	SOLID STATE RELAY SIEMENS 3RF2020-1AA22
26	1	20267.CE	20267.CE	VALVE SOLENOID 100-240V 50HZ
25	2	20260	20260	FUSE 2-AMP FAST-BLOW 1/4" x 1-1/4"
24	12	11009.CE	11009.CE	TERMINAL BLOCK 1-POLE 4-CONTACT
23	1	8265	8265	RECTIFIER, BRIDGE
22	1	6643	6669	INDICATOR LAMP RED LED 12V
21	1	30569	99-16510	DRAIN PUMP, 1PH, 200-240V, 50/60HZ (SEE 00-16510)
20	1	4099	4099	FUSE 6-AMP SLOW-BLOW 1/4" X 1 1/4"
19	1	4065.CE	4065.CE	FUSE 4-AMP SLOW-BLOW 1/4" X 1 1/4"
18	1	6999.CE	99-16850	IGNITER HOT SURFACE 24V
17	1	6719	6719.KIT	FLAME SENSOR, DUAL PROBE
16	1	6721.CE	6721.CE	IGNITION MODULE FENWAL 50/60HZ
15	1	4592	4114.COS-AU	BOARD ASSEMBLY, CONTROLLER
14	1	4591	4591.NEW	BOARD ASSEMBLY, DISPLAY
13	1	4563	4563	SWITCH GREEN MANUAL ADVANCE NO
12	1	4320	4320	SWITCH RED MAIN ON/OFF NC
11	1	4067.CE	4067.CE	CIRCUIT BREAKER 7.5A 240VAC 9.38A TRIP 50/60HZ
10	1	4302	4302	BUZZER 24V
9	1	8998	8998	LIGHT BULB, MR11 XENON, 12V 20W, 30 DEG
8	1	4102	14064	REED SENSOR MK11 S/S M5 THREAD
7	1	6996.CE	6996.CE	TRANSFORMER 115/230V, 5/10V, 50/60HZ, 25VA
6	1	4034	4034	GAS VALVE 230V 50HZ
5	1	4010.CE	4010.CE	TRANSFORMER 115/230V PRIMARY 24V SECONDARY 50HZ 40VA
4	1	3787	3787	TRANSFORMER 115/230V PRIMARY 12V SECONDARY 50HZ 40VA
3	1	3766	99-17792	PUMP, DEGREASER
2	1	99-17118	99-17118	RECIRCULATION PUMP ASS'Y 200-240V
1	1	3127	3127	MOTOR 1/3HP 115/230VAC 50/60HZ
ITEM	QTY	PART	SERVICE NO.	DESCRIPTION

51	1	6818	6818	HARNES CONTROLLER TO DISPLAY
50	1	9013	9013	LAMP HOLDER HALOGEN BI-PIN G4 W/18" LEADS
49	1	3849	14110	DEGREASER HOSE ASSEMBLY (OPEN LOOP)
48	1	7808	7808	TERMINAL BLOCK, 2 POLE, 85A, 600V
47	1	7414	14050	BATTERY HOLDER SIZE C
46	1	6639	6639	SLO BOARD ASSEMBLY
45	1	14045	14063	REED PROXIMITY SENSOR HIGH TEMP MK21M (TYPE B)
44	2	14167	14217	MOTOR 220-240V 50/60HZ FOR CONVECTION FAN INF4500
43	1	7319	7317	CHROME BASE W/OPEN BACK (FOR INDICATOR LIGHT #7318)
42	1	4094	4094	SOCKET FOR RELAY
41	1	4271	4271	PLUG 3-WIRE HONEYWELL
40	1	4093	4093	RELAY 24VAC COIL, DPDT, 10A
39	1	4003	4003	FUSE 3-AMP FAST BLOW 1/4" x 1 1/4"
38	3	7419	7419	FAN TUBE AXIAL 18W 230V
37	1	7413	7413	BATTERY LITHIUM "C" CELL 3.6V -55°C TO 150°C
36	1	4010.CE2	4010.CE2	TRANSFORMER 115/230V, 12/24V, 50/60HZ, 80VA
35	1	7318	7317	INDICATOR LIGHT AMBER LED 2-WIRE (USE WITH BASE #7319)
34	1	4268	4268	TERMINAL CERAMIC 2-POLE
33	1	7418	7418	WIRE 16AWG BLACK SOOW EURO (9FT)
32	1	7422	7422	PLUG AUSTRALIAN 2 POLE 3 WIRE 10A 250V
31	1	99-15310	99-15310	KEYPAD ASSEMBLY
ITEM	QTY	PART	SERVICE NO.	DESCRIPTION

DRAWING TITLE: ELECTRICAL SCHEMATIC, WIRING DIAGRAM, 230V, 50 HZ (AUS)			
DRAWN BY: XIN Z.	EQUIPMENT: INF-4500	DRAWING NO: 99-17738	
APPROVED BY:			
DATE: 2020-12-22	SCALE: NTS	REVISION: 02	SHEET: 2 OF 2

NOTE:
THE INFORMATION CONTAINED HEREIN IS THE PROPERTY OF HARDT EQUIPMENT MANUFACTURING INC. ANY REPRODUCTION, DISCLOSURE OR USE THEREOF IS FORBIDDEN UNLESS AUTHORIZED BY CONTRACT, OR AS AUTHORIZED IN WRITING BY HARDT EQUIPMENT MANUFACTURING INC.



HARDT EQUIPMENT MANUFACTURING INC.

TEL: (514) 631-7271 FAX: (514) 631-7172

30	6	5474	5474	HOLDER, FUSE, SINGLE (FOR 1/4 X 1 1/4" FUSES)
29	1	5581	5581	FUSE 1.5-AMP FAST-BLOW 1/4 x 1 1/4"
28	1	4220.0.550	4220.0.550	PROBE, TEMPERATURE, TYPE-K THERMOCOUPLE
27	1	6517	6517.UPGRADE	SOLID STATE RELAY SIEMENS 3RF2020-1AA22
26	1	20267.CE	20267.CE	VALVE SOLENOID 100-240V 50HZ
25	2	20260	20260	FUSE 2-AMP FAST-BLOW 1/4" x 1-1/4"
24	12	11009.CE	11009.CE	TERMINAL BLOCK 1-POLE 4-CONTACT
23	1	8265	8265	RECTIFIER, BRIDGE
22	1	6643	6669	INDICATOR LAMP RED LED 12V
21	1	30569	99-16510	DRAIN PUMP, 1PH, 200-240V, 50/60HZ (SEE 00-16510)
20	1	4099	4099	FUSE 6-AMP SLOW-BLOW 1/4" X 1 1/4"
19	1	4065.CE	4065.CE	FUSE 4-AMP SLOW-BLOW 1/4" X 1 1/4"
18	1	6999.CE	99-16850	IGNITER HOT SURFACE 24V
17	1	6719	6719.KIT	FLAME SENSOR, DUAL PROBE
16	1	6721.CE	6721.CE	IGNITION MODULE FENWAL 50/60HZ
15	1	4592	4114.COS-AU	BOARD ASSEMBLY, CONTROLLER
14	1	4591	4591.NEW	BOARD ASSEMBLY, DISPLAY
13	1	4563	4563	SWITCH GREEN MANUAL ADVANCE NO
12	1	4320	4320	SWITCH RED MAIN ON/OFF NC
11	1	4067.CE	4067.CE	CIRCUIT BREAKER 7.5A 240VAC 9.38A TRIP 50/60HZ
10	1	4302	4302	BUZZER 24V
9	1	8998	8998	LIGHT BULB, MR11 XENON, 12V 20W, 30 DEG
8	1	4102	14064	REED SENSOR MK11 S/S M5 THREAD
7	1	6996.CE	6996.CE	TRANSFORMER 115/230V, 5/10V, 50/60HZ, 25VA
6	1	4034	4034	GAS VALVE 230V 50HZ
5	1	4010.CE	4010.CE	TRANSFORMER 115/230V PRIMARY 24V SECONDARY 50HZ 40VA
4	1	3787	3787	TRANSFORMER 115/230V PRIMARY 12V SECONDARY 50HZ 40VA
3	1	3766	99-17792	PUMP, DEGREASER
2	1	99-17118	99-17118	RECIRCULATION PUMP ASS'Y 200-240V
1	1	3127	3127	MOTOR 1/3HP 115/230VAC 50/60HZ
ITEM	QTY	PART	SERVICE NO.	DESCRIPTION

51	1	6818	6818	HARNES CONTROLLER TO DISPLAY
50	1	9013	9013	LAMP HOLDER HALOGEN BI-PIN G4 W/18" LEADS
49	1	3849	14110	DEGREASER HOSE ASSEMBLY (OPEN LOOP)
48	1	7808	7808	TERMINAL BLOCK, 2 POLE, 85A, 600V
47	1	7414	14050	BATTERY HOLDER SIZE C
46	1	6639	6639	SLO BOARD ASSEMBLY
45	1	14045	14063	REED PROXIMITY SENSOR HIGH TEMP MK21M (TYPE B)
44	2	14167	14217	MOTOR 220-240V 50/60HZ FOR CONVECTION FAN INF4500
43	1	7319	7317	CHROME BASE W/OPEN BACK (FOR INDICATOR LIGHT #7318)
42	1	4094	4094	SOCKET FOR RELAY
41	1	4271	4271	PLUG 3-WIRE HONEYWELL
40	1	4093	4093	RELAY 24VAC COIL, DPDT, 10A
39	1	4003	4003	FUSE 3-AMP FAST BLOW 1/4" x 1 1/4"
38	3	7419	7419	FAN TUBE AXIAL 18W 230V
37	1	7413	7413	BATTERY LITHIUM "C" CELL 3.6V -55°C TO 150°C
36	1	4010.CE2	4010.CE2	TRANSFORMER 115/230V, 12/24V, 50/60HZ, 80VA
35	1	7318	7317	INDICATOR LIGHT AMBER LED 2-WIRE (USE WITH BASE #7319)
34	1	4268	4268	TERMINAL CERAMIC 2-POLE
33	1	7418	7418	WIRE 16AWG BLACK SOOW EURO (9FT)
32	1	7422	7422	PLUG AUSTRALIAN 2 POLE 3 WIRE 10A 250V
31	1	99-15310	99-15310	KEYPAD ASSEMBLY
ITEM	QTY	PART	SERVICE NO.	DESCRIPTION

DRAWING TITLE: ELECTRICAL SCHEMATIC, WIRING DIAGRAM, 230V, 50 HZ (AUS)			
DRAWN BY: XIN Z.	EQUIPMENT: INF-4500	DRAWING NO: 99-17738	
APPROVED BY:			
DATE: 2020-12-22	SCALE: NTS	REVISION: 02	SHEET: 2 OF 2

NOTE:
THE INFORMATION CONTAINED HEREIN IS THE PROPERTY OF HARDT EQUIPMENT MANUFACTURING INC. ANY REPRODUCTION, DISCLOSURE OR USE THEREOF IS FORBIDDEN UNLESS AUTHORIZED BY CONTRACT, OR AS AUTHORIZED IN WRITING BY HARDT EQUIPMENT MANUFACTURING INC.



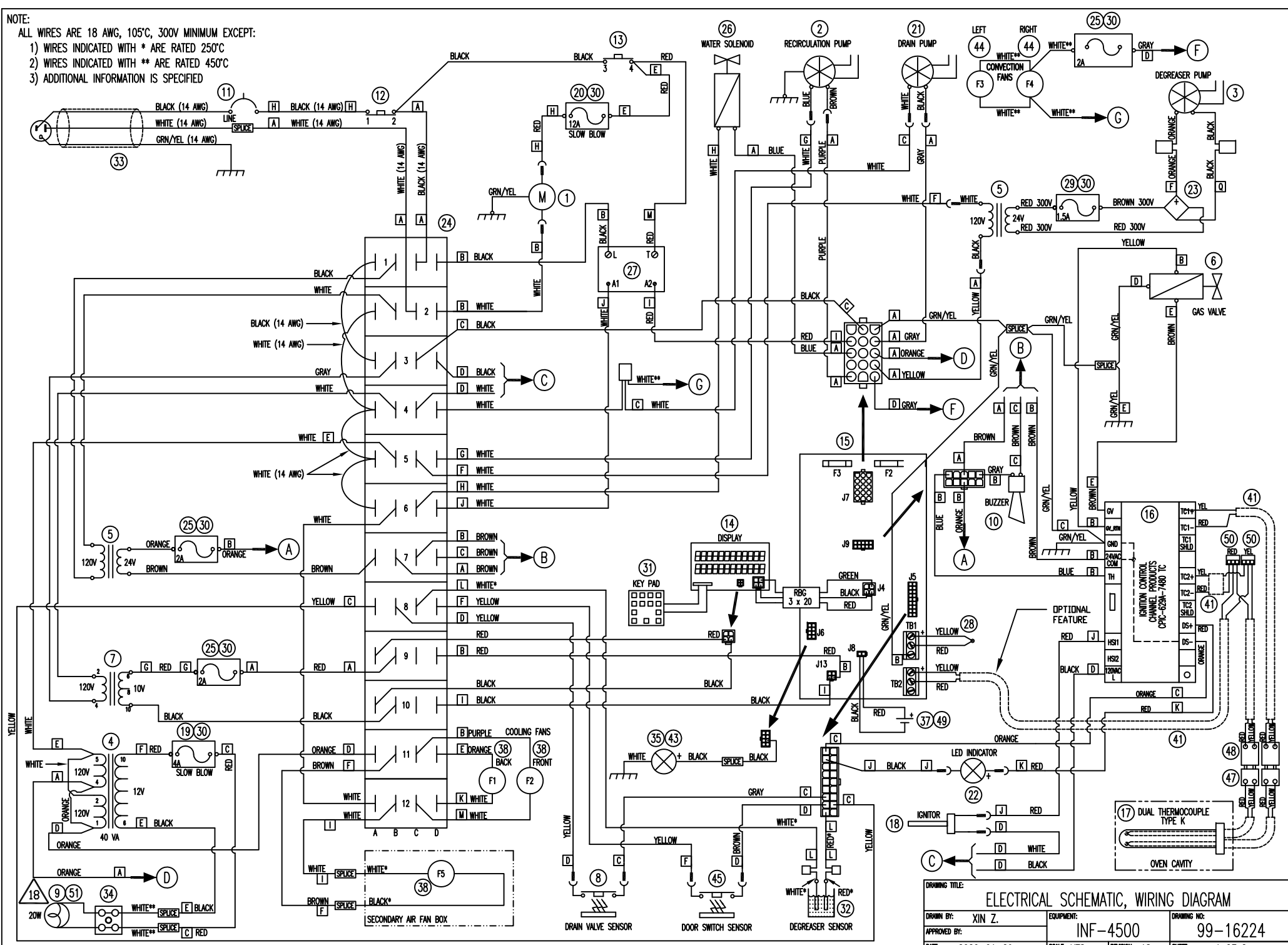
HARDT EQUIPMENT MANUFACTURING INC.

TEL: (514) 631-7271 FAX: (514) 631-7172

NOTE:

ALL WIRES ARE 18 AWG, 105°C, 300V MINIMUM EXCEPT:

- 1) WIRES INDICATED WITH * ARE RATED 250°C
- 2) WIRES INDICATED WITH ** ARE RATED 450°C
- 3) ADDITIONAL INFORMATION IS SPECIFIED



DRAWING TITLE: ELECTRICAL SCHEMATIC, WIRING DIAGRAM		
DRAWN BY: XIN Z.	EQUIPMENT: INF-4500	DRAWING NO.:
APPROVED BY:	SCALE: NTS	REVISION: 18
DATE: 2020-01-29	SCALE: NTS	REVISION: 18
		SHEET: 1 OF 2

NOTE:
THE INFORMATION CONTAINED HEREIN IS THE PROPERTY OF HARDT EQUIPMENT MANUFACTURING INC. ANY REPRODUCTION, DISCLOSURE OR USE THEREOF IS PERMITTED ONLY AS PROVIDED BY CONTRACT, OR AS AUTHORIZED IN WRITING BY HARDT EQUIPMENT MANUFACTURING INC.

HARDT HARDT EQUIPMENT MANUFACTURING INC.
TEL: (514) 631-7271 FAX: (514) 631-7172

30	6	5474	HOLDER, FUSE, SINGLE (FOR 1/4 X 1 1/4" FUSES)
29	1	5581	FUSE 1.5-AMP FAST-BLOW 1/4 x 1 1/4"
28	1	4220.0550	PROBE, TEMPERATURE, TYPE-K THERMOCOUPLE
27	1	6517	SOLID STATE RELAY SIEMENS 3RF2020-1AA22
26	1	20406	VALVE, SOLENOID
25	3	20260	FUSE 2-AMP FAST-BLOW 1/4 x 1-1/4
24	1	11009	TERMINAL BLOCK 12-POSITION
23	1	8265	RECTIFIER, BRIDGE
22	1	6643	INDICATOR LAMP RED LED 12V
21	1	7322	DRAIN PUMP (SEE 99-16447)
20	1	7127	FUSE 12-AMP SLOW-BLOW 1/4 x 1-1/4"
19	1	4065	FUSE 4-AMP SLOW-BLOW 1/4 x 1-1/4"
18	1	6999	IGNITOR, HOT SURFACE (SI)
17	1	7803	FLAME SENSOR, DUAL THERMOCOUPLE TYPE K
16	1	7453	MODULE, IGNITION, CHANNEL PRODUCTS, THERMAL SENSING
15	1	4592	BOARD ASSEMBLY, CONTROLLER
14	1	4591	BOARD ASSEMBLY, DISPLAY
13	1	4563	SWITCH GREEN MANUAL ADVANCE NO
12	1	4320	SWITCH RED MAIN ON/OFF NC
11	1	4067	CIRCUIT BREAKER SEALED 12.5A 240VAC 15.6A TRIP
10	1	4302	BUZZER 24V
9	1	8998	LIGHT BULB, MR11 HALOGEN, 12V 20W, 30 DEG
8	1	4102	REED SENSOR MK11 S/S M5 THREAD
7	1	6996	TRANSFORMER 115V/10VAC
6	1	4021	VALVE, GAS
5	2	4010	TRANSFORMER 120V/24V
4	1	3787	TRANSFORMER 115V/12VAC
3	1	3766	PUMP, DEGREASER
2	1	99-16475	RECIRCULATION PUMP ASS'Y 100-130V
1	1	3120	MOTOR 1/4-HP 120V 60HZ
ITEM	QTY	PART	DESCRIPTION

51	1	9013	LAMP HOLDER HALOGEN BI-PIN G4 W/18" LEADS
50	2	7638	SPLICING CONNECTOR 3 CONDUCTOR TERMINAL BLOCK
49	1	7414	BATTERY HOLDER SIZE C
48	2	14010	THERMOCOUPLE CONNECTOR CERAMIC FEMALE
47	2	14000	THERMOCOUPLE CONNECTOR CERAMIC MALE
46	1	4573	TOGGLE SWITCH ON/OFF SPST 20A
45	1	14045	REED PROXIMITY SENSOR HIGH TEMP MK21M (TYPE B)
44	2	7559	CONVECTION FAN
43	1	7319	CHROME BASE W/OPEN BACK (FOR INDICATOR LIGHT #99-17371)
42	1	7457	TERMINAL BLOCK EURD CERAMIC 30A 300V
41	3	(REF.6516)	THERMOCOUPLE EXTENSION CABLE,TYPE-K, 2-WIRE, 260C, 24AWG, POLYMER JACKET
38	3	7410	FAN TUBE AXIAL 18W 115V (COOLING)
37	1	7413	BATTERY LITHIUM "C" CELL 3.6V -55°C TO 150°C
36	1	4110	SWITCH PUSH BOTTON SPST-NC 5A 14V
35	1	99-17371	INDICATOR LIGHT AMBER LED 2-WIRE (USE WITH BASE #7319)
34	1	4268	TERMINAL CERAMIC 2-POLE
33	1	4571	CORD, POWER MOLDED 14/3 SJTOW 9-FOOT LENGTH
31	1	99-15310	KEYPAD ASSEMBLY
ITEM	QTY	PART	DESCRIPTION

DRAWING TITLE:			
PARTS LIST, WIRING DIAGRAM			
DRAWN BY:	XIN Z.	EQUIPMENT:	
APPROVED BY:		INF-4500	DRAWING NO:
DATE:	2020-01-29	SCALE: NTS	REVISION: 18
			SHEET: 2 OF 2
NOTE:		HARDT	
THE INFORMATION CONTAINED HEREIN IS THE PROPERTY OF HARDT EQUIPMENT MANUFACTURING INC. ANY REPRODUCTION, DISCLOSURE OR USE THEREOF IS PERMITTED ONLY AS PROVIDED BY CONTRACT, OR AS AUTHORIZED IN WRITING BY HARDT EQUIPMENT MANUFACTURING INC.		HARDT EQUIPMENT MANUFACTURING INC.	
		TEL: (514) 631-7271 FAX: (514) 631-7172	

REVISION 00 - 2015-10-05

- 1. ORIGINAL RELEASE

REVISION 01 - ECO #2341 - 2015-10-16

- 1. REPLACED P/N 4052M WITH P/N 6517

REVISION 02 - ECO #2403 - 2016-04-21

- 1. COLOR OF THE WIRES OF FANS SWITCHED
- 2. WIRES CHANGE TO HIGH TEMP. (450°C FIBERGLASS). TWO STARS ** ADDED
- 3. REMOVE 2 PAGES

REVISION 03 - ECO #2545 - 2016-10-04

- 1) REVISED TERMINAL IDENTIFICATION OF IGNITION MODULE

REVISION 04 - (2016-11-25)

- 1) ADD A SECONDARY AIR FAN BOX
- 2) CONNECTIONS 11 AND 12 ON TERMINAL BLOCK REVISED

REVISION 05 - (2016-12-01)

- 1) REVISED CONNECTIONS OF DEGREASER PUMP AND DRAIN PUMP
- 2) REMOVED TAGS ON BOTH SIDES OF SPLICES
- 3) ADD CONNECTORS AND WIRE COLORS TO TRANSFORMER OF DEGREASER PUMP

REVISION 06 - (2016-12-21)

- 1) WIRE COLOR "BLUE" WAS "BLACK"
- 2) ADD A QUICK CONNECTOR

REVISION 07 - (2017-04-26)

- 1) DOOR REED SENSOR #4102 REPLACE WITH #14045
- 2) WIRE COLOR "BLACK" WAS "BLUE", COLOR "WHITE" WAS "BLACK"
- 3) FAN #14011 REPLACED WITH #7410
- 4) ITEM #7457 REPLACED WITH #14000 AND #14010
- 5) ITEM #7414 ADDED
- 6) REMOVE BALLOON [E]
- 7) IGNITION MODULE - TERMINAL LABELS CORRECTED

REVISION 08 - (2017-06-15)

- 1) REMOVE TOGGLE SWITCH
- 2) REMOVE WIRE [BLACK] FROM SECONDARY AIR FAN BOX

REVISION 09 - ECO #2685 - 2017-09-13

- 1) REPLACED P/N 8998 WITH P/N 14072

REVISION 10 - ECO #2710 - 2017-12-19

- 1) REPLACED 2 WHITE WIRES BY BLACK WIRES
- 2) REPLACED IDENTIFICATION LETTER "N" BY "Q"

REVISION 11 - ECO #2778 - 2018-05-04

- 1) REPLACED ITEM 3763 BY 99-16475

REVISION 12 - ECO #2812 - 2018-07-30

- 1) REMOVED SWITCH PUSH BUTTON (P/N 4110)

REVISION 13 - ECO #2889 - 2019-01-22

- 1) SECONDARY AIR FAN WIRES CHANGED

REVISION 14 - ECO #2895, 2901 - 2019-02-28

- 1. REMOVED GROUND SYMBOLS FROM IGNITION MODULE
- 2. ADDED NEW WIRES CONNECTING FROM IGNITION MODULE TO CONTROLLER TO READ FLAME SENSOR TEMPERATURE

REVISION 15 - ECO #2927 - 2019-08-19

- 1. REPLACED ITEM 14072 BY 8998

REVISION 16 - ECO #2976 - 2019-09-03

- 1. CHANGED DESCRIPTION OF #7319, WAS: CHROME BASE W/OPEN BACK (FOR INDICATOR LIGHT #7318)
- 2. CHANGED ITEM 35 FROM #7318 TO #99-17371

REVISION 17 - ECO #2977 - 2019-11-18

- 1. ADDED CONNECTORS TO JUNCTION OF THERMOCOUPLE WIRES FROM THERMOCOUPLE SENSOR

REVISION 18 - ECO #2990- 2020-01-29

- 1) ADDED ITEM 9013

NOTE:
 THE INFORMATION CONTAINED HEREIN IS THE PROPERTY OF HARDT EQUIPMENT MANUFACTURING INC. ANY REPRODUCTION, DISCLOSURE OR USE THEREOF IS PERMITTED ONLY AS PROVIDED BY CONTRACT, OR AS AUTHORIZED IN WRITING BY HARDT EQUIPMENT MANUFACTURING INC.

DRAWING TITLE: REVISION HISTORY, WIRING DIAGRAM			
DRAWN BY: XIN Z.	EQUIPMENT: INF-4500	DRAWING NO: 99-16224	
APPROVED BY:			
DATE: 2020-01-29	SCALE: NTS	REVISION: 18	SHEET: 3 OF 2
		HARDT EQUIPMENT MANUFACTURING INC. TEL: (514) 631-7271 FAX: (514) 631-7172	