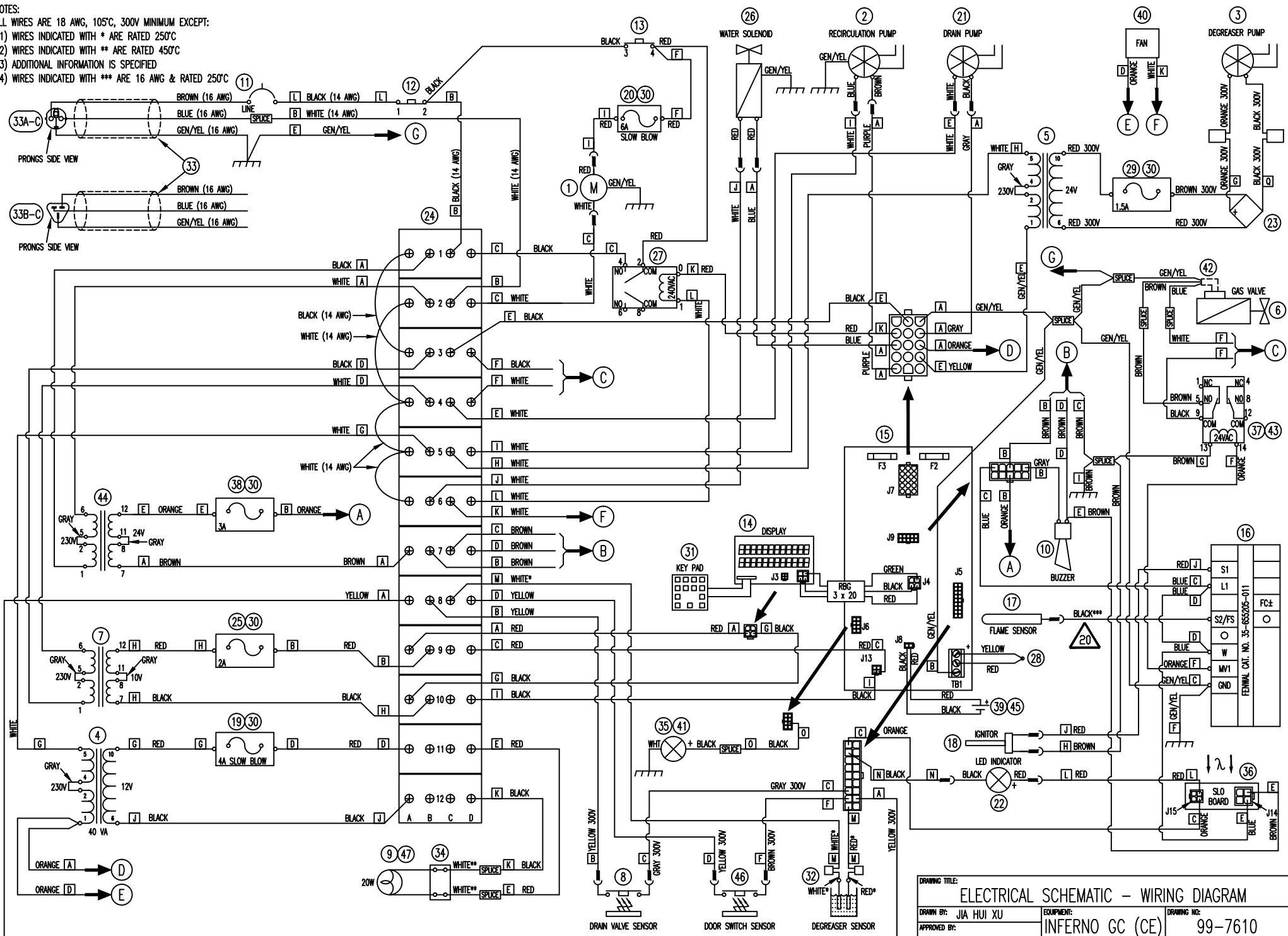


NOTES:

ALL WIRES ARE 18 AWG, 105°C, 300V MINIMUM EXCEPT:

- 1) WIRES INDICATED WITH * ARE RATED 250°C
- 2) WIRES INDICATED WITH ** ARE RATED 450°C
- 3) ADDITIONAL INFORMATION IS SPECIFIED
- 4) WIRES INDICATED WITH *** ARE 16 AWG & RATED 250°C



DRAWING TITLE: ELECTRICAL SCHEMATIC - WIRING DIAGRAM		
DRAWN BY: JIA HUI XU	EQUIPMENT: INFERNO GC (CE)	DRAWING NO: 99-7610
APPROVED BY:	SCALE: NTS	REVISION: 20
DATE: 2021-04-15	SCALE: NTS	SHEET: 1 OF 3


NOTE:
THE INFORMATION CONTAINED HEREIN IS THE PROPERTY OF HARDT EQUIPMENT MANUFACTURING INC. ANY REPRODUCTION, DISCLOSURE OR USE THEREOF IS PERMITTED ONLY AS PROVIDED BY CONTRACT, OR AS AUTHORIZED IN WRITING BY HARDT EQUIPMENT MANUFACTURING INC.

30	5	5474	HOLDER, FUSE, SINGLE (FOR 1/4 X 1 1/4" FUSES)	5474
29	1	5581	FUSE 1.5-AMP FAST-BLOW 1/4 x 1 1/4"	5581
28	1	4220.0.550	PROBE, TEMPERATURE, TYPE-K THERMOCOUPLE	4220.0.550
27	1	4052M.CE	RELAY, 240VAC COIL, DPST, NO, 30A	4052M.CE
26	1	20267.CE	VALVE SOLENOID 100-240V 50HZ	20267.CE
25	1	20260	FUSE 2-AMP FAST-BLOW 1/4 x 1-1/4	20260
24	12	11009.CE	TERMINAL BLOCK 1-POLE 4-CONTACT	11009.CE
23	1	8265	RECTIFIER, BRIDGE	8265
22	1	6643	INDICATOR LAMP RED LED 12V	6669
21	1	30569	DRAIN PUMP, 1PH, 200-240V, 50/60HZ (SEE 99-16510)	99-16510
20	1	4099	FUSE 6-AMP SLOW-BLOW 1/4" X 1 1/4"	4099
19	1	4065.CE	FUSE 4-AMP SLOW-BLOW 1/4 x 1-1/4"	4065.CE
18	1	6999.CE	IGNITER HOT SURFACE 24V	6999.CE
17	1	6719	FLAME SENSOR, DUAL PROBE	6719
16	1	6721.CE	IGNITION MODULE FENWAL 50/60HZ	6721.CE
15	1	4592	BOARD ASSEMBLY, CONTROLLER	CALL HARDT
14	1	4591	BOARD ASSEMBLY, DISPLAY	4591.NEW
13	1	4563	SWITCH GREEN MANUAL ADVANCE NO	4563
12	1	4320	SWITCH RED MAIN ON/OFF NC	4320
11	1	4067.CE	CIRCUIT BREAKER 7.5A 240VAC 9.38A TRIP 50/60HZ	4067.CE
10	1	4302	BUZZER 24V	4302
9	1	8998	LIGHT BULB, HALOGEN, 12V/20W, W/GLASS COVER	8998
8	1	4102	REED SENSOR MK11 S/S M5 THREAD	14064
7	1	6996.CE	TRANSFORMER 115/230V, 5/10V, 50/60HZ, 25VA	6996.CE
6	1	4034	GAS VALVE 230V 50HZ	4034
5	1	4010.CE	TRANSFORMER 115/230V, 24V, 50/60HZ, 40VA	4010.CE
4A	1	3787.CE	TRANSFORMER 115/230V, 12V, 50/60HZ, 40VA	3787.CE
4B	1	4010.CE1	TRANSFORMER 115/230V, 12/24V, 50/60HZ, 40VA	4010.CE1
3	1	3766	PUMP, DEGREASER	99-16964
2	1	99-17118	RECIRCULATION PUMP ASS'Y 200-240V	99-17118
1	1	3127	MOTOR 1/3HP 115/230VAC 50/60HZ	3127
0.	QTY	PART	DESCRIPTION	SERVICE NO

47	1	9013	LAMP HOLDER HALOGEN BI-PIN G4 W/18" LEADS	9013
46	1	4102	REED SENSOR MK11 S/S M5 THREAD	99-16883
45	1	7414	BATTERY HOLDER SIZE C	99-14482
44	1	4010.CE2	TRANSFORMER 115/230V, 12/24V, 50/60HZ, 80VA	4010.CE2
43	1	4094	SOCKET FOR RELAY	4094
42	1	4271	PLUG 3-WIRE HONEYWELL	4271
41	1	7319	CHROME BASE W/OPEN BACK (FOR INDICATOR LIGHT #99-17371)	7317
40	1	7419	FAN TUBE AXIAL 18W 230V	7419
39	1	7413	BATTERY LITHIUM 'C' CELL 3.6V -55°C TO 150°C	7413
38	1	4003	FUSE 3-AMP FAST BLOW 1/4" x 1 1/4"	4003
37	1	4093	RELAY 24VAC COIL, DPDT, 10A	4093
36	1	6639	SLD BOARD ASSEMBLY	6639
35	1	99-17371	INDICATOR LIGHT AMBER LED 2-WIRE (USE WITH BASE #7319)	7317
34	1	4268	TERMINAL CERAMIC 2-POLE	4268
33B-C	1	7417	PLUG 13AMP 250 V, UK	7414
33A-C	1	7421	PLUG GR/GC 'SCHUKO' CEE 7/7	7421
33	1	7441	CABLE PVC BLACK 60227 IEC57 (RVV-90) 3 x 1.5mm ² 300V	7441
32	1	3849	DEGREASER HOSE ASSEMBLY (OPEN LOOP)	3849
31	1	99-15031	KEYPAD INF3500/GC	99-15310

NOTES:
1. BOM INCLUDES ONLY THE COMPONENTS SHOWN ON ELECTRICAL DIAGRAM (PAGE 1).
FOR ALL COMPONENTS NOT LISTED IN BOM, SEE DRW: 99-14604

NOTE:
THE INFORMATION CONTAINED HEREIN IS THE PROPERTY OF HARDT EQUIPMENT MANUFACTURING INC. ANY REPRODUCTION, DISCLOSURE OR USE THEREOF IS PERMITTED ONLY AS PROVIDED BY CONTRACT, OR AS AUTHORIZED IN WRITING BY HARDT EQUIPMENT MANUFACTURING INC.

DRAWING TITLE: ELECTRICAL SCHEMATIC - WIRING DIAGRAM			
DRAWN BY: JIA HUI XU	EQUIPMENT: INFERNO GC (CE)	DRAWING NO: 99-7610	
APPROVED BY:	SCALE: NTS	REVISION: 20	SHEET: 2 OF 3
DATE: 2021-04-15			
		HARDT EQUIPMENT MANUFACTURING INC. TEL: (514) 631-7271 FAX: (514) 631-7172	

HARNESS#3

WIRE	FROM ITEM#	TO ITEM#
BLACK (J)	24	4
BLACK (N)	22	15
BLACK (H)	7	24
BLACK (G)	24	14
BLACK (I)	15	24
BLACK (D)	15	35
BLACK (M)	16	17
BLACK (K)	34	24
BLACK (N)	23	3
BLUE (D)	16	16
BLUE (E)	36	16
BLUE (C)	16	15
BROWN (I)	SPLICE	GROUND
BROWN (C)	SPLICE	24
BROWN (E)	10	36
BROWN (G)	SPLICE	37
BROWN (F)	46	15
BROWN (A)	44	24
BROWN (D)	10	24
BROWN (B)	15	24
BROWN (H)	SPLICE	18
GRAY (C)	8	15
GRAY (B)	10	15
ORANGE (F)	16	37
ORANGE (C)	36	15
ORANGE (E)	44	38
ORANGE (B)	15	38
ORANGE (G)	23	3
RED (L)	36	22
RED (A)	24	14
RED (G)	4	19
RED (C)	15	24
RED (H)	7	25
RED (D)	24	19
RED (B)	24	25
RED (J)	16	18
RED (E)	34	24
RED (M)	32	15
WHITE (M)	32	24
YELLOW (B)	8	24
YELLOW (D)	47	24
YELLOW (A)	15	24

HARNESS#2


WIRE	FROM ITEM#	TO ITEM#
BLACK (C)	24	27
BLACK (D)	24	7
BLACK (A)	24	44
BLACK (F)	24	37
BLACK (E)	24	15
BLACK	24	24
BLACK (B)	24	12
BLACK (L)	11	12
BLUE (A)	26	15
GRAY (A)	21	15
GRN/YLW (B)	SPLICE	15
GRN/YLW (F)	GROUND	16
GRN/YLW (C)	SPLICE	16
GRN/YLW (A)	SPLICE	15
GRN/YLW (D)	6	SPLICE
GRN/YLW (E)	6	GROUND
ORANGE (A)	4	15
ORANGE (D)	40	4
PURPLE (A)	15	2
RED (K)	15	27
RED (F)	13	20
RED (I)	1	20
WHITE (G)	24	4
WHITE (D)	24	7
WHITE (L)	24	27
WHITE (A)	24	44
WHITE (F)	24	42
WHITE (J)	24	26
WHITE (H)	24	5
WHITE (E)	24	21
WHITE (C)	24	1
WHITE (I)	24	2
WHITE (K)	24	40
WHITE	24	24
WHITE	24	24
WHITE	24	24
WHITE (B)	24	33
YELLOW (E)	15	5
BROWN	6	37
BLUE	6	24
GREEN/YELLOW	6	SPLICE

HARNESS#1

WIRE	FROM ITEM#	TO ITEM#
BLACK	12	13
GRAY	4	4
GRAY	7	7
GRAY	44	44
GRAY	7	7
GRAY	44	44
RED	27	13
RED	15	39
BLACK	15	39
RBG 3 x22	15	14

NOTE:

THE INFORMATION CONTAINED HEREIN IS THE PROPERTY OF HARDT EQUIPMENT MANUFACTURING INC. ANY REPRODUCTION, DISCLOSURE OR USE THEREOF IS PERMITTED ONLY AS PROVIDED BY CONTRACT, OR AS AUTHORIZED IN WRITING BY HARDT EQUIPMENT MANUFACTURING INC.

DRAWING TITLE: ELECTRICAL SCHEMATIC - WIRING DIAGRAM			
DRAWN BY: JIA HUI XU	EQUIPMENT: INFERNO GC (CE)	DRAWING NO: 99-7610	
APPROVED BY:	DATE: 2021-04-15	SCALE: NTS	REVISION: 20 SHEET: 3 OF 3
 HARDT EQUIPMENT MANUFACTURING INC.		TEL: (514) 631-7271 FAX: (514) 631-7172	

REVISION 0 - 26 JAN 2012
1) ORIGINAL RELEASE

REVISION 1 - 18 APR 2012
1) ADD ITEM 41 (PAGE 2) WITH CONNECTION "F" AND "E"
2) UPDATE BOM (PAGE 5)

REVISION 2 - 21 JUN 2012
1) RECONNECTING ITEM 33C.2A

REVISION 3 - 01 AUG 2012
1) #7255

REVISION 4 - 18 OCT 2012
1) REPLACE MARRETS BY TERMINALS

REVISION 5 - CCR #1680 - 30 NOV 2012
1) - REMOVE BALLONS 42,43,44,45
2) - 3D VIEWS UPDATED
3) - BOM QTY UPDATED
4) - REMOVE 33A, 33B, REPLACE 7421 BY 7441, 7418 BY 7441
5) - ITEM 19, 20, 25, 29 AND 30 QTY DEVIDED BETWEEN "IN USE" AND "SPARE"
- CCR #1681 - 07 DEC 2012
1) - REPLACE WIRE YLW 300V-C WITH WHT-HT-250-M AND WIRE BLU 300V-B WITH RED-HT-250-M
- CCR #1665 - 21 FEB 2012
1) - ADD NOTE " SERVICE PART # 6669 "

REVISION 6 - CCR #1814 - 08-JUL-2013
1) UPDATE BOM TABLE, ADD ITEM 43
2) 14 AWG WAS 16 AWG, 240VAC WAS 230VAC, 3D VIEWS UPDATED
3) GAS VALVE CONNECTION REVISED

REVISION 7 - CCR #1963 - 01-APR-2014
1) ADD PAGE 2S AND 5S IN SPANISH

REVISION 08 - CCR #2033 AND #2130 - 08 OCT 2014
- MULTIPLE CHANGES

REVISION 09 - CCR #2289 - 2015-08-05
- REPLACED P/N 7377 WITH P/N 7318 AND P/N 7319

REVISION 10 - ECO #2429 - 2016-02-03
- NEW RELAY P/N 6517 IMPLEMENTATION
- REMOVE COMPONENTS LOCATIONS SHEET

REVISION 11 - ECO #2442 - 2016-02-22
1) DRAIN PUMP #7322 REPLACE BY DRAIN PUMP ASSEMBLY #99-16447

REVISION 12 - ECO #2460 - 2016-04-22
1) REVISED CONNECTIONS OF DEGREASER PUMP AND DRAIN PUMP
2) REPLACED 99-16447 WITH P/N 30569
3) REMOVED TAGS ON BOTH SIDES OF SPLICES

REVISION 13 - ECO #2579 - 2016-10-12
1) REPLACED RELAY P/N 6517 WITH P/N 4052M.CE

REVISION 14 - ECO #2596, 2643, 2710, 2756 - 2018-02-08
1) MOVED ITEM 32 TO ITEM 45, ITEM 32 BECAME DEGREASER HOSE ASSEMBLY
ADDED ITEM 43 (P/N 4271), ITEM 44 (P/N 4094), ITEM 46 (P/N 7414)
REPLACED 99-15310 WITH 99-15031
2) ADDED SERVICE NUMBER COLUMN TO BOM
3) ADDED NEW PAGES TO SHOW HARNESS WIRE CONNECTIONS
4) REPLACED 2 WHITE WIRES BY BLACK WIRES
5) REPLACED IDENTIFICATION LETTER "N" BY "Q"
6) CHANGE FLAME SENSOR WIRE TO 16 AWG, 250°C

REVISION 15 - ECO #2778 - 2018-05-03
1) REPLACED ITEM 3763 BY 99-17118
2) REMOVED SPANISH VERSION FROM DOCUMENTATION

REVISION 16 - ECO #2812 - 2018-08-03
1) REMOVED SWITCH PUSH BUTTON (P/N 4110)
2) REVISED SERVICE NO. OF P/N 7414

REVISION 17 - ECO #2976 - 2019-09-03
1. CHANGED DESCRIPTION OF #7319, WAS: CHROME BASE W/OPEN BACK (FOR INDICATOR LIGHT #7318)
2. CHANGED ITEM 35 FROM #7318 TO #99-17371

REVISION 18 - ECO #2990- 2020-01-29
1) ADDED ITEM 9013

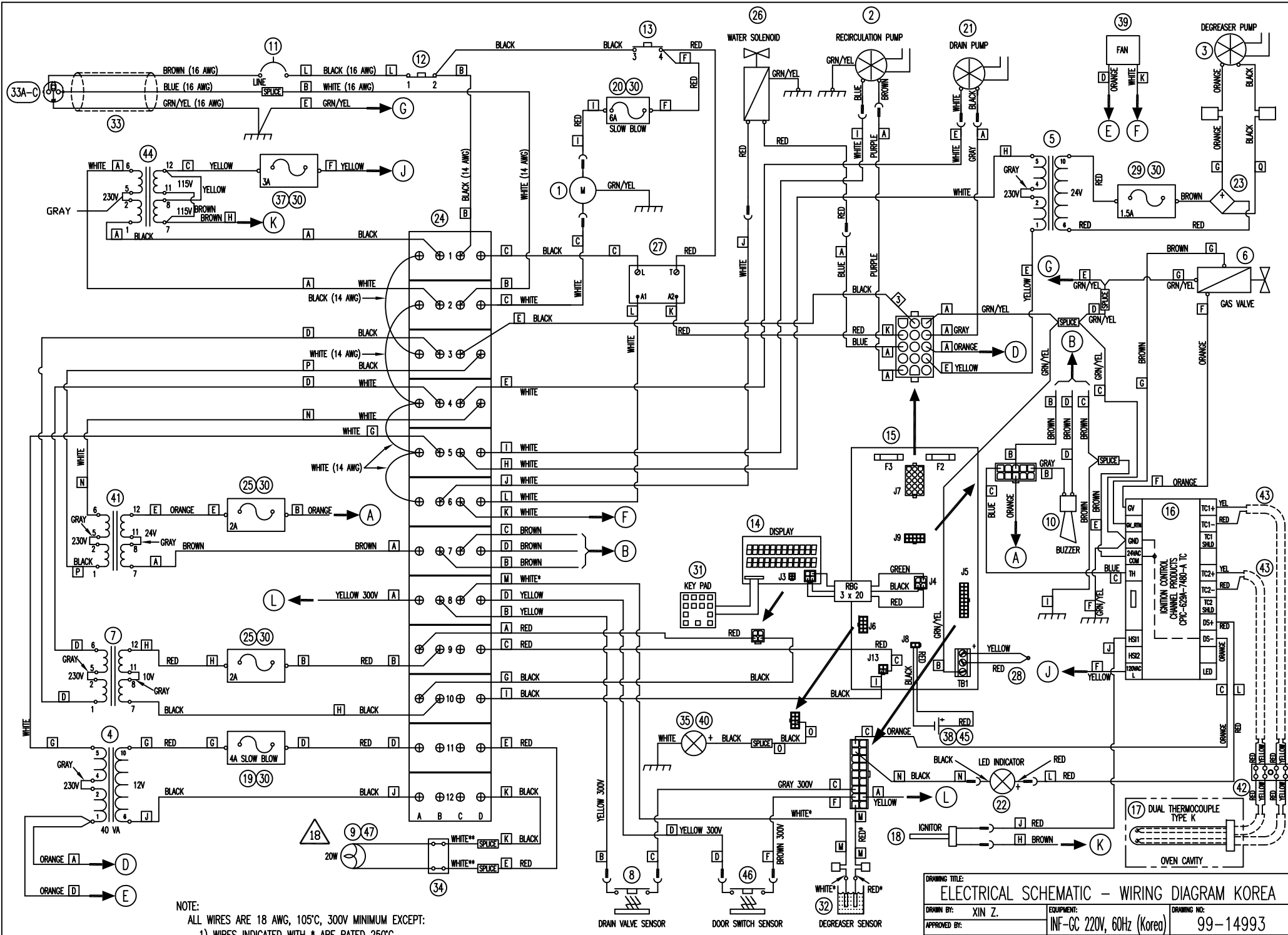
REVISION 19 - ECO #3109- 2021-04-08
1) REMOVE THE WIRE USED TO CONNECT CONTROLLER TO BX CABLE FOR FLAME SENSOR

REVISION 20 - ECO #3140- 2021-04-15
1) REMOVE THE ID TAG FROM THE BX CABLE FOR FLAME SENSOR

NOTE:

THE INFORMATION CONTAINED HEREIN IS THE PROPERTY OF HARDT EQUIPMENT MANUFACTURING INC. ANY REPRODUCTION, DISCLOSURE OR USE THEREOF IS PERMITTED ONLY AS PROVIDED BY CONTRACT, OR AS AUTHORIZED IN WRITING BY HARDT EQUIPMENT MANUFACTURING INC.

DRAWING TITLE: REVISION HISTORY - WIRING DIAGRAM			
DRAWN BY: JIA HUI XU	EQUIPMENT: INFERNO GC (CE)	DRAWING NO: 99-7610	
APPROVED BY:	SCALE: NTS	REVISION: 20	SHEET: 4 OF 4
DATE: 2021-04-15			
 HARDT		HARDT EQUIPMENT MANUFACTURING INC. TEL: (514) 631-7271 FAX: (514) 631-7172	



NOTE:
 ALL WIRES ARE 18 AWG, 105°C, 300V MINIMUM EXCEPT:
 1) WIRES INDICATED WITH * ARE RATED 250°C
 2) WIRES INDICATED WITH ** ARE RATED 450°C
 3) ADDITIONAL INFORMATION IS SPECIFIED

DRAWING TITLE: ELECTRICAL SCHEMATIC - WIRING DIAGRAM KOREA		
DRAWN BY: XIN Z.	EQUIPMENT: INF-GC 220V, 60Hz (Korea)	DRAWING NO: 99-14993
APPROVED BY:	DATE: 2020-01-29	SCALE: NTS
REVISION: 18	SHEET: 1 OF 3	

THE INFORMATION CONTAINED HEREIN IS THE PROPERTY OF HARDT EQUIPMENT MANUFACTURING INC. ANY REPRODUCTION, DISCLOSURE OR USE THEREOF IS PERMITTED ONLY AS PROVIDED BY CONTRACT, OR AS AUTHORIZED IN WRITING BY HARDT EQUIPMENT MANUFACTURING INC.

HARDT HARDT EQUIPMENT MANUFACTURING INC.
 TEL: (514) 631-7271 FAX: (514) 631-7172

31	1	99-15031	KEYPAD INF3500/GC	99-15310
30	6	5474	HOLDER, FUSE, SINGLE (FOR 1/4 X 1 1/4" FUSES)	5474
29	1	5581	FUSE 1.5-AMP FAST-BLOW 1/4 x 1 1/4"	5581
28	1	4220.0.550	PROBE, TEMPERATURE, TYPE-K THERMOCOUPLE	4220.0.550
27	1	6517	SOLID STATE RELAY SIEMENS 3RF2020-1AA22	6517.UPGRADE
26	1	20267.CE	VALVE SOLENOID 230V 50HZ	20267.CE
25	2	20260	FUSE 2-AMP FAST-BLOW 1/4 x 1-1/4	20260
24	12	11009.CE	TERMINAL W FEED-THROUGH SCREW CONNECTION	11009.CE
23	1	8265	RECTIFIER, BRIDGE	8265
22	1	6643	INDICATOR LAMP RED LED 12V	6669
21	1	30569	DRAIN PUMP, 1PH, 200-240V, 50/60HZ (SEE 99-16510)	99-16510
20	1	4099	FUSE 6-AMP SLOW-BLOW 1/4" X 1 1/4"	4099
19	1	4065.CE	FUSE 4-AMP SLOW BLOW 1/4" X 1 1/4"	4065.CE
18	1	6999	IGNITOR, HOT SURFACE (Si)	99-16663
17	1	7803	FLAME SENSOR, DUAL THERMOCOUPLE TYPE K	7803.ASSY
16	1	7453	MODULE, IGNITION , CHANNEL PRODUCTS, THERMAL SENSING	7453
15	1	4592	BOARD ASSEMBLY, CONTROLLER	CALL HARDT
14	1	4591	BOARD ASSEMBLY, DISPLAY	4591.NEW
13	1	4563	SWITCH GREEN MANUAL ADVANCE NO	4563
12	1	4320	SWITCH RED MAIN ON/OFF NC	4320
11	1	4067.CE	CIRCUIT BREAKER 6.5A 240VAC 7.5A TRIP 50/60HZ	4067.CE
10	1	4302	BUZZER 24V	4302
9	1	8998	LIGHT BULB, HALOGEN, 12V/20W, W/GLASS COVER	8998
8	1	4102	REED SENSOR MK11 S/S M5 THREAD	14064
7	1	6996.CE	TRANSFORMER 230V PRIMARY 10V SECONDARY 50HZ	6996.CE
6	1	4021	VALVE, GAS	4021
5	1	4010.CE	TRANSFORMER 230V PRIMARY 24V SECONDARY 50HZ 40VA	4010.CE
4	1	3787.CE	TRANSFORMER 230V PRIMARY 12V SECONDARY 50HZ 40VA	3787.CE
3	1	3766	PUMP, DEGREASER	99-16964
2	1	99-17118	RECIRCULATION PUMP ASS'Y 200-230V	99-17118
1	1	3127	MOTOR 1/3HP 115/230VAC 50/60HZ	3127
ITEM	QTY	PART NUMBER	DESCRIPTION	SERVICE NO

47	1	9013	LAMP HOLDER HALOGEN BI-PIN G4 W/18" LEADS	9013
46	1	4102	REED SENSOR MK11 S/S M5 THREAD	99-16883
45	1	7414	BATTERY HOLDER SIZE C	99-14482
44	1	7640	TRANSFORMER 230V PRIMARY 115V SECONDARY 50/60HZ 130VA	7640
43	2	(REF.6516)	THERMOCOUPLE EXTENSION CABLE,TYPE-K, 2-WIRE, 260C, 24AWG, POLYMER JACKET	9049
42	1	7457	TERMINAL BLOCK EURO CERAMIC 30A 300V	7457
41	1	4010.CE1	TRANSFORMER 230V PRIMARY 24V SECONDARY, 50Hz, 40vA	4010.CE1
40	1	7319	CHROME BASE W/OPEN BACK (FOR INDICATOR LIGHT #99-17371)	7317
39	1	7419	FAN TUBE AXIAL 18W 230V	7419
38	1	7413	BATTERY LITHIUM "C" CELL 3.6V -55°C TO 150°C	7413
37	1	4003	FUSE 3-AMP FAST BLOW 1/4" x 1 1/4"	4003
35	1	99-17371	INDICATOR LIGHT AMBER LED 2-WIRE (USE WITH BASE #7319)	7317
34	1	4268	TERMINAL CERAMIC 2-POLE	4268
33A-C	1	7421	PLUG GR/GC "SCHUKO" CEE 7/7	7421
33	1	7441	CABLE PVC BLACK 60227 IEC57 (RW-90) 3 x 1.5mm ² 300V	7441
32	1	3849	DEGREASER HOSE ASSEMBLY (OPEN LOOP)	3849

DRAWING TITLE: ELECTRICAL SCHEMATIC - WIRING DIAGRAM KOREA			
DRAWN BY: XIN Z.	EQUIPMENT: INF-GC 220V, 60Hz (Korea)	DRAWING NO: 99-14993	
APPROVED BY:	DATE: 2020-01-29	SCALE: NTS	REVISION: 18
SHEET: 2 OF 3		HARDT EQUIPMENT MANUFACTURING INC. TEL: (514) 631-7271 FAX: (514) 631-7172	

NOTE:
THE INFORMATION CONTAINED HEREIN IS THE PROPERTY OF HARDT EQUIPMENT MANUFACTURING INC. ANY REPRODUCTION, DISCLOSURE OR USE THEREOF IS PERMITTED ONLY AS PROVIDED BY CONTRACT, OR AS AUTHORIZED IN WRITING BY HARDT EQUIPMENT MANUFACTURING INC.



HARNESS#3

WIRE	FROM ITEM#	TO ITEM#
BLACK (J)	24	4
BLACK (N)	22	15
BLACK (H)	7	24
BLACK (G)	24	14
BLACK (I)	15	24
BLACK (D)	15	35
BLACK (K)	34	24
BLACK (Q)	23	3
BLUE (C)	16	15
BROWN	44	44
BROWN (I)	SPLICE	GROUND
BROWN (C)	SPLICE	24
BROWN (E)	SPLICE	16
BROWN (F)	46	15
BROWN (A)	41	24
BROWN (D)	10	24
BROWN (B)	15	24
BROWN (G)	16	6
BROWN (H)	18	44
GRAY (C)	8	15
GRAY (B)	10	15
ORANGE (C)	16	15
ORANGE (E)	41	25
ORANGE (B)	15	25
ORANGE (F)	16	6
ORANGE (G)	23	3
RED (L)	16	22
RED (A)	24	14
RED (G)	4	19
RED (C)	15	24
RED (H)	7	25
RED (D)	24	19
RED (B)	24	25
RED (J)	16	18
RED (E)	34	24
RED (M)	32	15
WHITE (M)	32	24
YELLOW	44	44
YELLOW (B)	8	24
YELLOW (D)	46	24
YELLOW (A)	15	24
YELLOW (C)	37	44
YELLOW (F)	37	16

HARNESS#2

WIRE	FROM ITEM#	TO ITEM#
BLACK (P)	24	41
BLACK (D)	24	7
BLACK (C)	24	27
BLACK (A)	24	44
BLACK (E)	24	15
BLACK	24	24
BLACK (B)	24	12
BLACK (L)	11	12
BLUE (A)	26	15
GRAY (A)	21	15
GRN/YLW (B)	SPLICE	15
GRN/YLW (F)	GROUND	16
GRN/YLW (G)	SPLICE	6
GRN/YLW (A)	SPLICE	15
GRN/YLW (C)	16	SPLICE
GRN/YLW (E)	SPLICE	GROUND
GRN/YLW (D)	SPLICE	SPLICE
ORANGE (A)	4	15
ORANGE (D)	39	4
PURPLE (A)	15	2
RED (F)	13	20
RED (K)	15	27
RED (I)	1	20
WHITE (G)	24	4
WHITE (D)	24	7
WHITE (N)	24	41
WHITE (L)	24	27
WHITE (A)	24	44
WHITE (J)	24	26
WHITE (H)	24	5
WHITE (E)	24	21
WHITE (C)	24	1
WHITE (I)	24	2
WHITE (K)	24	39
WHITE	24	24
WHITE	24	24
WHITE	24	24
WHITE (B)	24	33
YELLOW (E)	15	5

HARNESS#1

WIRE	FROM ITEM#	TO ITEM#
BLACK	12	13
GRAY	4	4
GRAY	7	7
GRAY	41	41
GRAY	7	7
GRAY	41	41
GRAY	44	44
RED	27	13
RED	15	38
BLACK	15	38
RBG 3 x22	15	14

NOTE:
THE INFORMATION CONTAINED HEREIN IS THE PROPERTY OF HARDT EQUIPMENT MANUFACTURING INC. ANY REPRODUCTION, DISCLOSURE OR USE THEREOF IS PERMITTED ONLY AS PROVIDED BY CONTRACT, OR AS AUTHORIZED IN WRITING BY HARDT EQUIPMENT MANUFACTURING INC.

DRAWING TITLE: ELECTRICAL SCHEMATIC - WIRING DIAGRAM KOREA			
DRAWN BY: XIN Z.	EQUIPMENT: INF-GC 220V, 60Hz (Korea)	DRAWING NO: 99-14993	
APPROVED BY:	DATE: 2020-01-29	SCALE: NTS	REVISION: 18
		SHEET: 3 OF 3	
 HARDT EQUIPMENT MANUFACTURING INC.		TEL: (514) 631-7271 FAX: (514) 631-7172	

REVISION 0 - 26-APR-2013

1) ORIGINAL RELEASE

REVISION 01 - 13-DEC-2013

- 1) PRESENTATION CHANGED FOR RELAY #27 AND IGNITION MODUL #16
- 2) CONNECTION UPDATED - GAS VALVE #6, ADD WIRE LABELS
- 3) BOM UPDATED

REVISION 02 - 11-MAR-2014

1) ITEM 30 REPLACED BY 7320.ENG-NOTEL

REVISION 03 - CCR #2033 - 18 JUL 2014

- UPDATE SWITCH PUSH BUTTON PART #4106 TO #4110
- ADD SERVICE PART# 99-15669
- ADDED INDICATION OF SPARE FUSES

REVISION 04 - CCR #2130 - 08-OCT-2014

1) MULTIPLE CHANGES

REVISION 05 - CCR #2245 - 2015-05-11

- UPDATE BOM TABLE
- ON SHEET #2 CHANGE DESCRIPTION J15 TO J1 AND J14 TO J2
- CHANGE EQUIPMENT FROM "Inf-GC (KOREA) TO "Inf-GC, 220V, 60Hz (Korea)"

REVISION 06 - CCR #2289 - 2015-08-05

1. REPLACED P/N 7377 WITH P/N 7318 AND P/N 7319

REVISION 07 - ECO# 2381 - 2015-11-27

- 1. ADDED TRANSFORMER
- 2. REMOVED BLANK PAGES
- 3. REMOVED "COMPONENT LOCATIONS" SHEET

REVISION 08 - ECO #2429 - 2016-02-03

- NEW RELAY P/N 6517 IMPLEMENTATION
- REMOVE COMPONENTS LOCATIONS SHEET

REVISION 09 - ECO #2442 - 2016-02-22

1) DRAIN PUMP #7322 REPLACE BY DRAIN PUMP ASSEMBLY #99-16447

REVISION 10 - ECO #2460 - 2016-04-26

- 1) REVISED CONNECTIONS OF DEGREASER PUMP AND DRAIN PUMP
- 2) DRAIN PUMP ASSEMBLY 99-16447 IS CHANGE TO DRAIN PUMP P/N 30569
- 3) REMOVED TAGS ON BOTH SIDES OF SPLICES

REVISION 11 - 2016-05-03

- 1) REPLACE TRANSFORMER #4010.CE2 WITH #7640
- 2) REPLACE ITEM #6721.KR WITH 7453
- 3) REPLACE ITEM #6999.CE WITH 6999
- 4) REPLACE ITEM #6719 WITH 7803
- 5) REMOVER ITEM #6639
- 6) ADD ITEMS #7457, #(REF.6516)

REVISION 12 - ECO #2545, 2572, 2589, 2596, 2643, 2672, 2753 - 2016-12-05

1) MULTIPLE CHANGES

REVISION 13 - ECO #2710 - 2018-03-19

- 1) REPLACED 2 WHITE WIRES BY BLACK WIRES
- 2) REPLACED IDENTIFICATION LETTER "N" BY "Q"

REVISION 14 - ECO #2778 - 2018-05-04

1) REPLACED ITEM 3763 BY 99-17118

REVISION 15 - ECO #2812 - 2018-08-03

- 1) REMOVED SWITCH PUSH BUTTON (P/N 4110)
- 2) REVISED SERVICE NO. OF P/N 7414

REVISION 16 - ECO #2895 - 2019-02-28


1. REMOVED GROUND SYMBOLS FROM IGNITION MODULE

REVISION 17 - ECO #2976 - 2019-09-03

- 1. CHANGED DESCRIPTION OF #7319, WAS: CHROME BASE W/OPEN BACK (FOR INDICATOR LIGHT #7318)
- 2. CHANGED ITEM 35 FROM #7318 TO #99-17371

REVISION 18 - ECO #2990- 2020-01-29

1) ADDED ITEM 9013

DRAWING TITLE: REVISION HISTORY - WIRING DIAGRAM KOREA			
DRAWN BY: XIN Z.	EQUIPMENT: INF-GC 220V, 60Hz (Korea)	DRAWING NO: 99-14993	
APPROVED BY:	DATE: 2020-01-29	SCALE: NTS	REVISION: 18
		SHEET:	4 OF 3
 HARDT EQUIPMENT MANUFACTURING INC. <small>THE INFORMATION CONTAINED HEREIN IS THE PROPERTY OF HARDT EQUIPMENT MANUFACTURING INC. ANY REPRODUCTION, DISCLOSURE OR USE THEREOF IS PERMITTED ONLY AS PROVIDED BY CONTRACT, OR AS AUTHORIZED IN WRITING BY HARDT EQUIPMENT MANUFACTURING INC.</small>		<small>TEL: (514) 631-7271 FAX: (514) 631-7172</small>	

30	5	5474	FUSE HOLDER SINGLE
29	1	5581	FUSE 1.5A FAST BLOW 1/4" X 1 1/4"
28	1	4220.0.550	PROBE TEMPERATURE TYPE K THERMOCOUPLE
27	1	4052M.CE	RELAY, 240VAC COIL, DPST, NO, 30A
26	1	20267.CE	VALVE, SOLENOID 100/240V, 50/60HZ
25	1	20260	FUSE 2-AMP FAST-BLOW 1/4" x 1 1/4"
24	12	11009.CE	TERMINAL BLOCK 1-POLE 4-CONTACT
23	1	8265	BRIDGE RECTIFIER
22	1	6643	INDICATOR LAMP RED LED 12V
21	1	30569	DRAIN PUMP, 1PH, 200-240V, 50/60HZ (SEE 99-16510)
20	1	4099	FUSE GLASS 6-AMP SLOW-BLOW 1/4" X 1 1/4"
19	1	4065.CE	FUSE CERAMIC 4-AMP SLOW BLOW 1/4" X 1 1/4"
18	1	6999.CE	IGNITER 24V
17	1	6719	FLAME SENSOR, DUAL PROBE
16	1	6721.CE	IGNITION MODULE FENWAL 50/60HZ
15	1	4592	BOARD ASSEMBLY, CONTROLLER
14	1	4591	BOARD ASSEMBLY, DISPLAY
13	1	4563	SWITCH GREEN MANUAL ADVANCE, NO
12	1	4320	SWITCH RED MAIN ON/OFF, NC
11	1	4067.CE	CIRCUIT BREAKER SEALED 7.5A/240V 9.38A TRIP, 50/60HZ
10	1	4302	BUZZER 24V
9	1	8998	LAMP, HALOGEN, MR-11, 12V/20W, W/GLASS COVER
8	2	4102	REED SENSOR MK11 S/S M5 THREAD
7	1	6996.CE	TRANSFORMER 115/230V, 5/10V, 50/60HZ, 25VA
6	1	4034	GAS VALVE 230V 50HZ
5	1	4010.CE	TRANSFORMER 115/230V, 24V, 50/60HZ, 40VA
4A	1	3787.CE	TRANSFORMER 115/230V, 12V, 50/60HZ, 40VA
4B	1	4010.CE1	TRANSFORMER 115/230V, 12/24V, 50/60HZ, 40VA
3	1	3766	PUMP DEGREASER
2	1	99-17118	RECIRCULATION PUMP ASS'Y 200-240V
1	1	3127	MOTOR 1/3HP 115/230VAC 50/60HZ
ITEM	QTY	PART NUMBER	DESCRIPTION


48	1	9013	LAMP HOLDER HALOGEN BI-PIN G4 W/18" LEADS
47	1	7414	BATTERY HOLDER SIZE C
46	1	4010.CE2	TRANSFORMER 115/230V, 12/24V, 50/60HZ, 80VA
45	1	7319	CHROME BASE W/OPEN BACK (FOR INDICATOR LIGHT #99-17371)
44	1	4094	SOCKET FOR RELAY
43	1	4271	PLUG 3-WIRE HONEYWELL
42	1	7808	TERMINAL BLOCK, 2 POLE, 85A, 600V
41	1	7419	FAN TUBE AXIAL 18W 230V
40	1	7413	BATTERY LITHIUM "C" CELL 3.6V -55°C TO 150°C
39	1	4110	SWITCH PUSH BOTTON SPST-NC 5A 14V
38	1	4003	FUSE 3-AMP FAST BLOW 1/4" x 1 1/4"
37	1	4093	RELAY 24VAC COIL, DPDT, 5A
36	1	6639	SLO BOARD ASSEMBLY
35	1	99-17371	INDICATOR LIGHT AMBER LED 2-WIRE (USE WITH BASE #7319)
34	1	4268	TERMINAL BLOCK CERAMIC 2-POLE
33.2	1	7422	PLUG AU1-10P AUSTRALIA
33.1	1	7418	WIRE 16AWG BLACK SOOW EURO (9FT)
32	1	3849	DEGREASER HOSE ASSEMBLY (OPEN LOOP)
31	1	99-15310	KEYPAD ASSEMBLY
ITEM	QTY	PART NUMBER	DESCRIPTION

NOTES:

1. BOM INCLUDES ONLY THE COMPONENTS SHOWN ON ELECTRICAL DIAGRAM (PAGE 1).
FOR ALL COMPONENTS NOT LISTED IN BOM, SEE DRW: 99-14750

NOTE:

THE INFORMATION CONTAINED HEREIN IS THE PROPERTY OF HARDT EQUIPMENT MANUFACTURING INC. ANY REPRODUCTION, DISCLOSURE OR USE THEREOF IS PERMITTED ONLY AS PROVIDED BY CONTRACT, OR AS AUTHORIZED IN WRITING BY HARDT EQUIPMENT MANUFACTURING INC.

DRAWING TITLE: ELECTRICAL SCHEMATIC - WIRING DIAGRAM			
DRAWN BY: JIA HUI XU	EQUIPMENT: INF-GC AU	DRAWING NO: 99-7608	
APPROVED BY:	SCALE: NTS	REVISION: 13	SHEET: 2 OF 3
DATE: 2021-04-15			
 HARDT		HARDT EQUIPMENT MANUFACTURING INC.	
		TEL: (514) 631-7271 FAX: (514) 631-7172	

HARNESS#3

WIRE	FROM ITEM#	TO ITEM#
BLACK (J)	24	4
BLACK (N)	22	15
BLACK (H)	7	24
BLACK (G)	24	14
BLACK (I)	15	24
BLACK (D)	15	35
BLACK (M)	16	17
BLACK (K)	34	24
BLACK (Q)	23	3
BLUE (D)	16	16
BLUE (E)	36	16
BLUE (C)	16	15
BROWN (I)	SPLICE	GROUND
BROWN (C)	SPLICE	24
BROWN (E)	10	36
BROWN (G)	SPLICE	37
BROWN (F)	8	15
BROWN (A)	46	24
BROWN (D)	10	24
BROWN (B)	15	24
BROWN (H)	SPLICE	18
GRAY (C)	8	15
GRAY (B)	10	15
ORANGE (F)	16	37
ORANGE (C)	36	15
ORANGE (E)	46	38
ORANGE (B)	15	38
ORANGE (G)	23	3
RED (L)	36	22
RED (A)	24	14
RED (G)	4	19
RED (C)	15	24
RED (H)	7	25
RED (D)	24	19
RED (B)	24	25
RED (J)	16	18
RED (E)	34	24
RED (M)	32	15
WHITE (M)	32	24
YELLOW (B)	8	24
YELLOW (D)	8	24
YELLOW (A)	15	24

HARNESS#2


WIRE	FROM ITEM#	TO ITEM#
BLACK (C)	24	27
BLACK (D)	24	7
BLACK (A)	24	46
BLACK (F)	24	37
BLACK (E)	24	15
BLACK	24	24
BLACK (B)	24	12
BLACK (L)	11	12
BLUE (A)	26	15
GRAY (A)	21	15
GRN/YLW (B)	SPLICE	15
GRN/YLW (F)	GROUND	16
GRN/YLW (C)	SPLICE	16
GRN/YLW (A)	SPLICE	15
GRN/YLW (D)	6	SPLICE
GRN/YLW (E)	6	GROUND
ORANGE (A)	4	15
ORANGE (D)	41	4
PURPLE (A)	15	2
RED (K)	15	27
RED (F)	13	20
RED (I)	1	20
WHITE (G)	24	4
WHITE (D)	24	7
WHITE (L)	24	27
WHITE (A)	24	46
WHITE (F)	24	43
WHITE (J)	24	26
WHITE (H)	24	5
WHITE (E)	24	21
WHITE (C)	24	1
WHITE (I)	24	2
WHITE (K)	24	41
WHITE	24	24
WHITE	24	24
WHITE	24	24
WHITE (B)	24	42
YELLOW (E)	15	5
BROWN	6	37
BLUE	6	24
GREEN/YELLOW	6	SPLICE

HARNESS#1

WIRE	FROM ITEM#	TO ITEM#
BLACK	12	13
GRAY	4	4
GRAY	7	7
GRAY	46	46
GRAY	7	7
GRAY	46	46
RED	27	13
RED	15	40
BLACK	15	40
RBG 3 x22	15	14
BROWN	11	42
GRN/YLW	6	GROUND

NOTE:

THE INFORMATION CONTAINED HEREIN IS THE PROPERTY OF HARDT EQUIPMENT MANUFACTURING INC. ANY REPRODUCTION, DISCLOSURE OR USE THEREOF IS PERMITTED ONLY AS PROVIDED BY CONTRACT, OR AS AUTHORIZED IN WRITING BY HARDT EQUIPMENT MANUFACTURING INC.

DRAWING TITLE: ELECTRICAL SCHEMATIC - WIRING DIAGRAM			
DRAWN BY: JIA HUI XU	EQUIPMENT: INF-GC AU	DRAWING NO: 99-7608	
APPROVED BY:	DATE: 2021-04-15	SCALE: NTS	REVISION: 13
		SHEET: 3 OF 3	
		HARDT EQUIPMENT MANUFACTURING INC.	
		TEL: (514) 631-7271 FAX: (514) 631-7172	

REVISION 0 - 26 JAN 2012

1) ORIGINAL RELEASE

REVISION 01 - CCR #2033 - 18 JUL 2014

- REVISED BOM AND NOTES
- ADDED NEW PAGES

REVISION 02 - CCR #2289 - 2015-08-05

- REPLACED P/N 7377 WITH P/N 7318 AND P/N 7319

REVISION 03 - ECO #2429 - 2016-02-02

- NEW RELAY P/N 6517 IMPLEMENTATION
- REMOVE COMPONENTS LOCATIONS SHEET

REVISION 04 - ECO #2442 - 2016-02-22

1) DRAIN PUMP #7322 REPLACE BY DRAIN PUMP ASSEMBLY #99-16447
2) REMOVE COMPONENTS LOCATIONS SHEET

REVISION 05 - ECO #2460 - 2016-04-22

1) REVISED CONNECTIONS OF DEGREASER PUMP AND DRAIN PUMP
2) REPLACED 99-16447 WITH P/N 30569
3) REMOVED TAGS ON BOTH SIDES OF SPLICES

REVISION 06 - ECO #2579 - 2016-10-12

1) REPLACED RELAY P/N 6517 WITH P/N 4052M.CE

REVISION 07 - ECO #2572, 2643, 2710, 2756 - 2018-02-08

1) MOVED ITEM 32 TO ITEM 46, ITEM 32 BECAME DEGREASER HOSE ASSEMBLY
2) ADDED NEW PAGE TO SHOW HARNESS WIRE CONNECTIONS
3) ADDED ITEM 47 (P/N 7414)
4) REPLACED 2 WHITE WIRES BY BLACK WIRES
5) REPLACED IDENTIFICATION LETTER "N" BY "Q"
6) CHANGE FLAME SENSOR WIRE TO 16 AWG, 250°C

REVISION 08 - ECO #2778 - 2018-05-03

1) REPLACED ITEM 3763 BY 99-17118

REVISION 09 - ECO #2812 - 2018-07-30

1) REMOVED SWITCH PUSH BUTTON (P/N 4110)

REVISION 10 - ECO #2976 - 2019-09-03

1. CHANGED DESCRIPTION OF #7319, WAS: CHROME BASE W/OPEN BACK (FOR INDICATOR LIGHT #7318)
2. CHANGED ITEM 35 FROM #7318 TO #99-17371

REVISION 11 - ECO #2990 - 2020-01-29

1) ADDED ITEM 9013

REVISION 12 - ECO #3109 - 2021-04-08


1) REMOVE THE WIRE USED TO CONNECT CONTROLLER TO BX CABLE FOR FLAME SENSOR

REVISION 13 - ECO #3140 - 2021-04-15

1) REMOVE THE ID TAG FROM THE BX CABLE FOR FLAME SENSOR

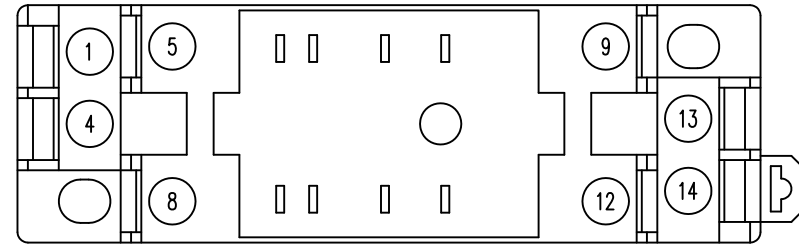
DRAWING TITLE: REVISION HISTORY - WIRING DIAGRAM			
DRAWN BY: JIA HUI XU	EQUIPMENT: INF-GC AU	DRAWING NO: 99-7608	
APPROVED BY:	SCALE: NTS	REVISION: 13	SHEET: 4 OF 4
DATE: 2021-04-15			

NOTE:
THE INFORMATION CONTAINED HEREIN IS THE PROPERTY OF HARDT EQUIPMENT MANUFACTURING INC. ANY REPRODUCTION, DISCLOSURE OR USE THEREOF IS PERMITTED ONLY AS PROVIDED BY CONTRACT, OR AS AUTHORIZED IN WRITING BY HARDT EQUIPMENT MANUFACTURING INC.



HARDT EQUIPMENT MANUFACTURING INC.
TEL: (514) 631-7271 FAX: (514) 631-7172


29	1	5581	FUSE 1.5-AMP FAST-BLOW 1/4 x 1 1/4"	5581
28	1	4220.0.550	PROBE, TEMPERATURE, TYPE-K THERMOCOUPLE	4220.0.550
27	1	6517	SOLID STATE RELAY SIEMENS 3RF2020-1AA22	6517.UPGRADE
26	1	20406	VALVE, SOLENOID	20406
25	2	20260	FUSE 2-AMP FAST-BLOW 1/4 x 1-1/4	20260
24	1	11009	TERMINAL BLOCK 12-POSITION	11009
23	1	8265	RECTIFIER, BRIDGE	8265
22	1	6643	INDICATOR LAMP RED LED 12V	6669
21	1	7322	DRAIN PUMP (SEE 99-16447)	99-16447
20	1	7127	FUSE 12-AMP SLOW-BLOW 1/4 x 1-1/4"	7127
19	1	4065	FUSE 4-AMP SLOW-BLOW 1/4 x 1-1/4"	4065
18	1	6999	IGNITOR, HOT SURFACE (SI)	99-16663
17	1	7803	FLAME SENSOR, DUAL THERMOCOUPLE TYPE K	7803.ASSY
16	1	7453	MODULE, IGNITION , CHANNEL PRODUCTS, THERMAL SENSING	7453
15	1	4592	BOARD ASSEMBLY, CONTROLLER	CALL HARDT
14	1	4591	BOARD ASSEMBLY, DISPLAY	4591.NEW
13	1	4563	SWITCH GREEN MANUAL ADVANCE NO	4563
12	1	4320	SWITCH RED MAIN ON/OFF NC	4320
11	1	4067	CIRCUIT BREAKER SEALED 12.5A 240VAC 15.6A TRIP	4067
10	1	4302	BUZZER 24V	4302
9	1	8998	LIGHT BULB, HALOGEN, 12V/20W, W/GLASS COVER	8998
8	1	4102	REED SENSOR MK11 S/S M5 THREAD	14064
7	1	6996	TRANSFORMER 115V/10VAC	6996
6	1	4021	VALVE, GAS	4021
5	2	4010	TRANSFORMER 120V/24V	4010
4	1	3787	TRANSFORMER 115V/12VAC	3787
3	1	3766	PUMP, DEGREASER	99-16964
2	1	99-16475	RECIRCULATION PUMP ASS'Y 100-130V	99-16475
1	1	3120	MOTOR 1/4-HP 120V 60HZ	3120
ITEM	QTY	PART	DESCRIPTION	SERVICE NO



ITEM 43 (P/N 4094)
TRACK MOUNT / FRONT CONNECT SOCKET FOR RELAY (FOR REFERENCE)
MODEL: PYF08A-E

47	1	9013	LAMP HOLDER HALOGEN BI-PIN G4 W/18" LEADS	9013
46	1	7414	BATTERY HOLDER SIZE C	99-14482
45	1	7319	CHROME BASE W/OPEN BACK (FOR INDICATOR LIGHT #99-17371)	7319
44	1	7457	TERMINAL, CERAMIC 4 POLE	7457
43	2	(REF.6516)	THERMOCOUPLE EXTENSION CABLE,TYPE-K, 2-WIRE, 260C, 24AWG, POLYMER JACKET	9049
42	2	4111	VARIATOR, 35VRMS, 7MM RADIAL	4111
41	2	4094	TRACK MOUNT / FRONT CONNECT SOCKET FOR RELAY	4094
40	2	4093	RELAY POWER DPDT 24 VAC 5A	4093
39	2	6844	CONTACT, SWITCH SHIM FRENCH DOOR INF-3500	6844
38	1	4105	FUSE 6.25AMP SLOW BLOW 1/4x1-1/4	4105
37	1	7410	FAN TUBE AXIAL 18W 115V	7410
36	1	7413	BATTERY LITHIUM "C" CELL 3.6V -55°C TO 150°C	7413
35	1	99-17371	INDICATOR LIGHT AMBER LED 2-WIRE (USE WITH BASE #7319)	7319
34	3	4268	TERMINAL CERAMIC 2-POLE	4268
33	1	4571	CORD, POWER MOLDED 14/3 SJTOW 9-FOOT LENGTH	4571
32	1	3849	DEGREASER HOSE ASSEMBLY (OPEN LOOP)	3849
31-B	1	7320	KEYPAD OVERLAY COSTCO RED	7320
31-A	1	7321	KEYPAD OVERLAY STANDARD BLACK	7321
30	5	5474	HOLDER, FUSE, SINGLE (FOR 1/4 X 1 1/4" FUSES)	5474



DRAWING TITLE:			
PARTS LIST - FRENCH DOORS			
DRAWN BY:	XIN Z.	EQUIPMENT:	INF-GC FD
APPROVED BY:			99-7812
DATE:	2020-01-29	SCALE:	NTS
		REVISION:	14
		SHEET:	2 OF 3
NOTE: THE INFORMATION CONTAINED HEREIN IS THE PROPERTY OF HARDT EQUIPMENT MANUFACTURING INC. ANY REPRODUCTION, DISCLOSURE OR USE THEREOF IS PERMITTED ONLY AS PROVIDED BY CONTRACT, OR AS AUTHORIZED IN WRITING BY HARDT EQUIPMENT MANUFACTURING INC.		 HARDT EQUIPMENT MANUFACTURING INC. TEL: (514) 631-7271 FAX: (514) 631-7172	

HARNESS#3

WIRE	FROM ITEM#	TO ITEM#
BLACK (E)	24	4
BLACK (J)	22	15
BLACK (I)	15	24
BLACK (K)	35	15
BLACK (F)	34	24
BLACK (Q)	23	3
BLUE (B)	16	15
BROWN (D)	40	15
BROWN (B)	16	24
BROWN (A)	15	24
BROWN (C)	10	24
BROWN (E)	16	6
GRAY (C)	8	15
GRAY (B)	10	15
ORANGE	40	40
ORANGE (C)	16	15
ORANGE (E)	40	25
ORANGE (B)	15	25
ORANGE	23	3
PURPLE	40	34
PURPLE	40	34
RED (K)	16	22
RED (A)	24	25
RED (B)	15	24
RED (C)	24	19
RED (G)	7	25
RED (F)	4	19
RED (D)	9	24
RED (L)	15	32
WHITE (L)	32	24
YELLOW (D)	8	24
YELLOW (F)	40	24
YELLOW (C)	15	24
YELLOW (B)	16	6
VARISTOR	40	40
VARISTOR	40	40

HARNESS#2

WIRE	FROM ITEM#	TO ITEM#
BLACK (B)	24	27
BLACK (D)	24	16
BLACK (C)	24	15
BLACK (L)	12	13
BLACK (A)	24	12
BLACK (H)	11	12
BLUE (A)	26	15
GRAY (A)	21	15
GRN/YLW (B)	SPLICE	15
GRN/YLW	GROUND	16
GRN/YLW (D)	SPLICE	6
GRN/YLW (A)	SPLICE	15
GRN/YLW (C)	16	SPLICE
GRN/YLW (E)	SPLICE	GROUND
GRN/YLW	SPLICE	SPLICE
ORANGE	4	4
ORANGE (A)	4	15
ORANGE (D)	4	37
PURPLE (A)	15	2
RED (I)	15	27
RED (M)	27	13
RED (E)	13	20
RED (J)	16	18
RED (H)	1	20
WHITE	4	4
WHITE (J)	24	27
WHITE (E)	24	4
WHITE (F)	24	5
WHITE (H)	24	26
WHITE (C)	24	21
WHITE (B)	24	1
WHITE (D)	24	18
WHITE (G)	24	2
WHITE (K)	24	37
WHITE (A)	24	33
YELLOW (A)	15	5

HARNESS#1

WIRE	FROM ITEM#	TO ITEM#
BLACK	7	24
BLACK	24	14
BLACK	24	24
BLUE	40	40
BROWN	5	24
GRAY	24	7
ORANGE	5	25
RBG 3 x22	15	24
RED	24	14
RED	15	36
BLACK	15	36
WHITE	24	7
WHITE	24	24
WHITE	24	24
WHITE	24	24

NOTE:
THE INFORMATION CONTAINED HEREIN IS THE PROPERTY OF HARDT EQUIPMENT MANUFACTURING INC. ANY REPRODUCTION, DISCLOSURE OR USE THEREOF IS PERMITTED ONLY AS PROVIDED BY CONTRACT, OR AS AUTHORIZED IN WRITING BY HARDT EQUIPMENT MANUFACTURING INC.

DRAWING TITLE: PARTS LIST - FRENCH DOORS			
DRAWN BY: XIN Z.	EQUIPMENT: INF-GC FD	DRAWING NO: 99-7812	
APPROVED BY:	DATE: 2020-01-29	SCALE: NTS	REVISION: 14
		SHEET: 3 OF 3	
		HARDT EQUIPMENT MANUFACTURING INC. TEL: (514) 631-7271 FAX: (514) 631-7172	

REVISION 00 - 05-MAR-2014

1) ORIGINAL RELEASE

REVISION 01 - CCR# 2033 - 18-AUG-2014

-UPDATE SWITCH BUTTON PART #4106 TO #4110

-ADDED NEW PAGES

REVISION 02 - CCR# 2165 - 19-DEC-2014

-CORRECTED WIRE ID TAG

REVISION 03 - CCR# 2287 - 2015-07-10

-CHANGED TO THERMAL SENSING UNIT

-BOM UPDATED

REVISION 04 - CCR #2289 - 2015-08-05

1. REPLACED P/N 7377 WITH P/N 7318 AND P/N 7319

REVISION 05 - ECO #2341 - 2015-10-16

1. REPLACED P/N 4052M WITH P/N 6517

REVISION 06 - ECO #2442 - 2016-02-22

1) DRAIN PUMP #7322 REPLACE BY DRAIN PUMP ASSEMBLY #99-16447

2) REMOVE COMPONENTS LOCATIONS SHEET

REVISION 07 - ECO #2458, 2460 - 2016-04-26

1) REVISED CONNECTIONS OF DEGREASER PUMP AND DRAIN PUMP

2) DRAIN PUMP ASSEMBLY 99-16447 IS CHANGE TO DRAIN PUMP P/N 7322

3) REMOVED TAGS ON BOTH SIDES OF SPLICES

REVISION 08 - ECO #2545, 2546 - 2016-10-04

1) ADDED NEW SHEET TO SHOW DIAGRAM OF RELAY SOCKET

2) REVISED TERMINAL IDENTIFICATION OF IGNITION MODULE

REVISION 09 - ECO 2596, #2643, #2672, #2710, #2753 - 2018-03-19

1) REVISED BOM

2) ADDED NEW PAGE TO SHOW HARNESS WIRE CONNECTIONS

3) REPLACED 2 WHITE WIRES BY BLACK WIRES

4) REPLACED IDENTIFICATION LETTER "N" BY "Q"

REVISION 10 - ECO #2778 - 2018-05-03

1) REPLACED ITEM 3763 BY 99-16475

REVISION 11 - ECO #2812 - 2018-08-03

1) REMOVED SWITCH PUSH BUTTON (P/N 4110)

2) REVISED SERVICE NO. OF P/N 7414

REVISION 12 - ECO #2895 - 2019-02-28

1. REMOVED GROUND SYMBOLS FROM IGNITION MODULE


REVISION 13 - ECO #2976 - 2019-09-03

1. CHANGED DESCRIPTION OF #7319, WAS: CHROME BASE W/OPEN BACK (FOR INDICATOR LIGHT #7318)

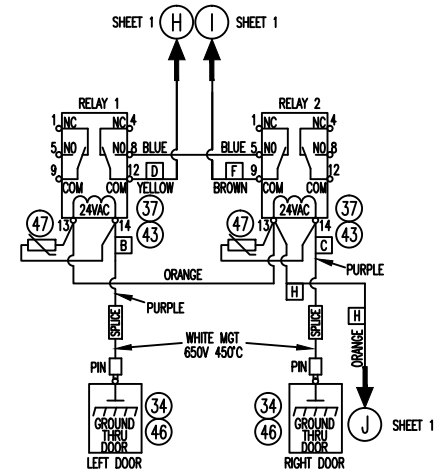
2. CHANGED ITEM 35 FROM #7318 TO #99-17371

REVISION 14 - ECO #2990- 2020-01-29

1) ADDED ITEM 9013

DRAWING TITLE: REVISION HISTORY - WIRING DIAGRAM			
DRAWN BY: XIN Z.	EQUIPMENT: INF-GC FD	DRAWING NO: 99-7812	
APPROVED BY:	DATE: 2020-01-29	SCALE: NTS	REVISION: 14
			SHEET: 4 OF 3
 HARDT EQUIPMENT MANUFACTURING INC. <small>TEL: (514) 631-7271 FAX: (514) 631-7172</small>		<small>THE INFORMATION CONTAINED HEREIN IS THE PROPERTY OF HARDT EQUIPMENT MANUFACTURING INC. ANY REPRODUCTION, DISCLOSURE OR USE THEREOF IS PERMITTED ONLY AS PROVIDED BY CONTRACT, OR AS AUTHORIZED IN WRITING BY HARDT EQUIPMENT MANUFACTURING INC.</small>	

30	5	5474	HOLDER, FUSE, SINGLE (FOR 1/4 X 1 1/4" FUSES)	5474
29	1	5581	FUSE 1.5-AMP FAST-BLOW 1/4 x 1 1/4"	5581
28	1	4220.0.550	PROBE, TEMPERATURE, TYPE-K THERMOCOUPLE	4220.0.550
27	1	4052M.CE	RELAY, 240VAC COIL, DPST, NO, 30A	4052M.CE
26	1	20267.CE	VALVE SOLENOID 100-240V 50HZ	20267.CE
25	1	20260	FUSE 2-AMP FAST-BLOW 1/4 x 1-1/4	20260
24	12	11009.CE	TERMINAL BLOCK 1-POLE 4-CONTACT	11009.CE
23	1	8265	RECTIFIER, BRIDGE	8265
22	1	6643	INDICATOR LAMP RED LED 12V	6669
21	1	30569	DRAIN PUMP, 1PH, 200-240V, 50/60HZ (SEE 99-16510)	99-16510
20	1	4099	FUSE 6-AMP SLOW-BLOW 1/4" X 1 1/4"	4099
19	1	4065.CE	FUSE 4-AMP SLOW-BLOW 1/4 x 1-1/4"	4065.CE
18	1	6999.CE	IGNITER HOT SURFACE 24V	6999.CE
17	1	6719	FLAME SENSOR, DUAL PROBE	6719
16	1	6721.CE	IGNITION MODULE FENWAL 50/60HZ	6721.CE
15	1	4592	BOARD ASSEMBLY, CONTROLLER	CALL HARDT
14	1	4591	BOARD ASSEMBLY, DISPLAY	4591.NEW
13	1	4563	SWITCH GREEN MANUAL ADVANCE NO	4563
12	1	4320	SWITCH RED MAIN ON/OFF NC	4320
11	1	4067.CE	CIRCUIT BREAKER 7.5A 240VAC 9.38A TRIP 50/60HZ	4067.CE
10	1	4302	BUZZER 24V	4302
9	1	8998	LIGHT BULB, HALOGEN, 12V/20W, W/GLASS COVER	8998
8	1	4102	REED SENSOR MK11 S/S M5 THREAD	14064
7	1	6996.CE	TRANSFORMER 115/230V, 5/10V, 50/60HZ, 25VA	6996.CE
6	1	4034	GAS VALVE 230V 50HZ	4034
5	1	4010.CE	TRANSFORMER 115/230V, 24V, 50/60HZ, 40VA	4010.CE
4A	1	3787.CE	TRANSFORMER 115/230V, 12V, 50/60HZ, 40VA	3787.CE
4B	1	4010.CE1	TRANSFORMER 115/230V, 12/24V, 50/60HZ, 40VA	4010.CE1
3	1	3766	PUMP, DEGREASER	99-16964
2	1	99-17118	RECIRCULATION PUMP ASS'Y 200-240V	99-17118
1	1	3127	MOTOR 1/3HP 115/230VAC 50/60HZ	3127
ITEM	QTY	PART	DESCRIPTION	SERVICE NO



48	1	9013	LAMP HOLDER HALOGEN BI-PIN G4 W/18" LEADS	9013
47	2	4111	VARISTOR 35VRMS 7MM RADIAL INF3500 FD	4111
46	2	6844	CONTACT SWITCH SHIM INF3500 FRENCH DOOR	6844
45	1	7414	BATTERY HOLDER SIZE C	99-14482
44	1	4010.CE2	TRANSFORMER 115/230V, 12/24V, 50/60HZ, 80VA	4010.CE2
43	3	4094	SOCKET FOR RELAY	4094
42	1	4271	PLUG 3-WIRE HONEYWELL	4271
41	1	7319	CHROME BASE W/OPEN BACK (FOR INDICATOR LIGHT #99-17371)	7317
40	1	7419	FAN TUBE AXIAL 18W 230V	7419
39	1	7413	BATTERY LITHIUM 'C' CELL 3.6V -55°C TO 150°C	7413
38	1	4003	FUSE 3-AMP FAST BLOW 1/4" x 1 1/4"	4003
37	3	4093	RELAY 24VAC COIL, DPDT, 10A	4093
36	1	6639	SLD BOARD ASSEMBLY	6639
35	1	99-17371	INDICATOR LIGHT AMBER LED 2-WIRE (USE WITH BASE #7319)	7317
34	3	4268	TERMINAL CERAMIC 2-POLE	4268
33B-C	1	7417	PLUG 13AMP 250 V, UK	7414
33A-C	1	7421	PLUG GR/GC 'SCHUKO' CEE 7/7	7421
33	1	7441	CABLE PVC BLACK 60227 IEC57 (RVV-90) 3 x 1.5mm ² 300V	7441
32	1	3849	DEGREASER HOSE ASSEMBLY (OPEN LOOP)	3849
31	1	99-15031	KEYPAD INF3500/GC	99-15310

DRAWING TITLE:

ELECTRICAL SCHEMATIC - WIRING DIAGRAM

DRAWN BY: JIA HUI XU

EQUIPMENT:

DRAWING NO:

APPROVED BY:

INFERNO GC (FD CE)

99-17812

DATE: 2021-04-15

SCALE: NTS

REVISION: 04

SHEET: 2 OF 2

NOTE:

THE INFORMATION CONTAINED HEREIN IS THE PROPERTY OF HARDT EQUIPMENT MANUFACTURING INC. ANY REPRODUCTION, DISCLOSURE OR USE THEREOF IS PERMITTED ONLY AS PROVIDED BY CONTRACT, OR AS AUTHORIZED IN WRITING BY HARDT EQUIPMENT MANUFACTURING INC.



HARDT EQUIPMENT MANUFACTURING INC.

TEL: (514) 631-7271 FAX: (514) 631-7172

REVISION 00 - 2019-02-06

1. ORIGINAL RELEASE

REVISION 01 - ECO #2976 - 2019-09-03

1. CHANGED DESCRIPTION OF #7319, WAS: CHROME BASE W/OPEN BACK (FOR INDICATOR LIGHT #7318)
2. CHANGED ITEM 35 FROM #7318 TO #99-17371

REVISION 02 - ECO #2990- 2020-01-29

- 1) ADDED ITEM 9013

REVISION 03 - ECO #3109- 2021-04-08

- 1) REMOVE THE WIRE USED TO CONNECT CONTROLLER TO BX CABLE FOR FLAME SENSOR

REVISION 04 - ECO #3140- 2021-04-15

- 1) REMOVE THE ID TAG FROM THE BX CABLE FOR FLAME SENSOR

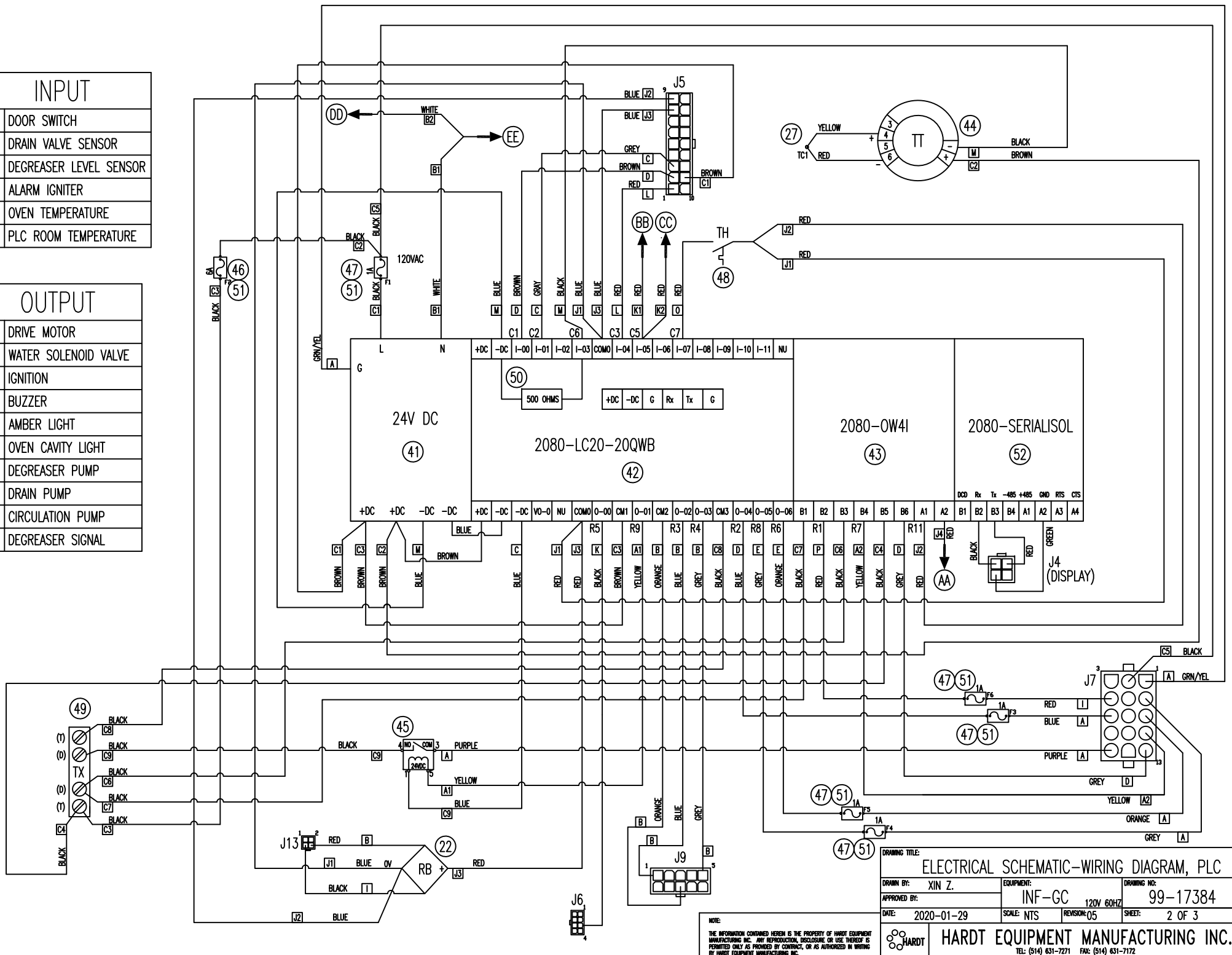
DRAWING TITLE:			
REVISION HISTORY - WIRING DIAGRAM			
DRAWN BY:	JIA HUI XU	EQUIPMENT:	INFERNO GC (FD CE)
APPROVED BY:		DRAWING NO:	99-17812
DATE:	2021-04-15	SCALE:	NTS
		REVISION:	04
		SHEET:	3 OF 2
NOTE:		HARDT	
THE INFORMATION CONTAINED HEREIN IS THE PROPERTY OF HARDT EQUIPMENT MANUFACTURING INC. ANY REPRODUCTION, DISCLOSURE OR USE THEREOF IS PERMITTED ONLY AS PROVIDED BY CONTRACT, OR AS AUTHORIZED IN WRITING BY HARDT EQUIPMENT MANUFACTURING INC.		HARDT EQUIPMENT MANUFACTURING INC. TEL: (514) 631-7271 FAX: (514) 631-7172	

INPUT

C1	DOOR SWITCH
C2	DRAIN VALVE SENSOR
C3	DEGREASER LEVEL SENSOR
C5	ALARM IGNITER
C6	OVEN TEMPERATURE
C7	PLC ROOM TEMPERATURE

OUTPUT

R1	DRIVE MOTOR
R2	WATER SOLENOID VALVE
R3	IGNITION
R4	BUZZER
R5	AMBER LIGHT
R6	OVEN CAVITY LIGHT
R7	DEGREASER PUMP
R8	DRAIN PUMP
R9	CIRCULATION PUMP
R11	DEGREASER SIGNAL



DRAWING TITLE: ELECTRICAL SCHEMATIC-WIRING DIAGRAM, PLC

DRAWN BY: XIN Z.	EQUIPMENT: INF-GC	DRAWING NO.: 99-17384
APPROVED BY:	120V 60HZ	
DATE: 2020-01-29	SCALE: NTS	REVISION: 05
		SHEET: 2 OF 3

NOTE: THE INFORMATION CONTAINED HEREIN IS THE PROPERTY OF HARDT EQUIPMENT MANUFACTURING INC. ANY REPRODUCTION, DISCLOSURE OR USE THEREOF IS PERMITTED ONLY AS PROVIDED BY CONTRACT, OR AS AUTHORIZED IN WRITING BY HARDT EQUIPMENT MANUFACTURING INC.

HARDT EQUIPMENT MANUFACTURING INC.
 TEL: (514) 631-7271 FAX: (514) 631-7172

29	5	5474	HOLDER, FUSE, SINGLE (FOR 1/4 X 1 1/4" FUSES)	5474
28	1	5581	FUSE 1.5-AMP FAST-BLOW 1/4 x 1 1/4"	5581
27	1	4220.0.550	PROBE, TEMPERATURE, TYPE-K THERMOCOUPLE	4220.0.550
26	1	6517	SOLID STATE RELAY SIEMENS 3RF2020-1AA22	6517.UPGRADE
25	1	20406	VALVE, SOLENOID	20406
24	2	20260	FUSE 2-AMP FAST-BLOW 1/4 x 1-1/4	20260
23	1	11009	TERMINAL BLOCK 12-POSITION	11009
22	2	8265	RECTIFIER, BRIDGE	8265
21	1	6643	INDICATOR LAMP RED LED 12V	6669
20	1	7322	DRAIN PUMP (SEE 99-16447)	99-16447
19	1	7127	FUSE 12-AMP SLOW-BLOW 1/4 x 1-1/4"	7127
18	1	4065	FUSE 4-AMP SLOW-BLOW 1/4 x 1-1/4"	4065
17	1	6999	IGNITOR, HOT SURFACE (SI)	99-16663
16	1	7803	FLAME SENSOR, DUAL THERMOCOUPLE TYPE K	7803.ASSY
15	1	7453	MODULE, IGNITION , CHANNEL PRODUCTS, THERMAL SENSING	7453
14	1	4591	BOARD ASSEMBLY, DISPLAY	4591.NEW
13	1	4563	SWITCH GREEN MANUAL ADVANCE NO	4563
12	1	4320	SWITCH RED MAIN ON/OFF NC	4320
11	1	4067	CIRCUIT BREAKER SEALED 12.5A 240VAC 15.6A TRIP	4067
10	1	4302	BUZZER 24V	4302
9	1	8998	LIGHT BULB, HALOGEN, 12V/20W, W/GLASS COVER	8998
8	1	4102	REED SENSOR MK11 S/S M5 THREAD	14064
7	1	6996	TRANSFORMER 115V/10VAC	6996
6	1	4021	VALVE, GAS	4021
5	2	4010	TRANSFORMER 120V/24V	4010
4	1	3787	TRANSFORMER 115V/12VAC	3787
3	1	3766	PUMP, DEGREASER	99-16964
2	1	99-16475	RECIRCULATION PUMP ASS'Y 100-130V	99-16475
1	1	3120	MOTOR 1/4-HP 120V 60HZ	3120
ITEM	QTY	PART	DESCRIPTION	SERVICE NO

54	1	9013	LAMP HOLDER HALOGEN BI-PIN G4 W/18" LEADS	9013
53	1	14118	MICRO SD MEMORY CARD	14118
52	1	14117	PLC COMMUNICATIONS MODULE	14117
51	6	14100	FUSE HOLDER	14100
50	1	14096	RIEDON 500 OHM RESISTOR	14096
49	1	11618	TERMINAL BLOCK	11618
48	1	14097	STEGO COMPACT THERMOSTAT, KT011 SERIE	14097
47	5	30578	1/4 x 1-1/4 FUSES, 1A	30578
46	1	4099	1/4 x 1-1/4 FUSES, 6A	4099
45	1	14099	OMRON RELAY, 24VDC COIL SPDT	14099
44	1	14095	TEMPERATURE TRANSMITTER	14095
43	1	14094	4 CHANNEL, RELAY OUTPUT	14094
42	1	14093	CONTROLLER, MICRO820	14093
41	1	14092	POWER SUPPLY, 24VDC, 1.6A	14092
40	2	14010	THERMOCOUPLE CONNECTOR CERAMIC FEMALE	14010
39	2	14000	THERMOCOUPLE CONNECTOR CERAMIC MALE	14000
38	1	4102	REED SENSOR MK11 S/S M5 THREAD	99-16883
37	2	(REF.6516)	THERMOCOUPLE EXTENSION CABLE,TYPE-K, 2-WIRE, 260C, 24AWG, POLYMER JACKET	9049
36	1	7410	FAN TUBE AXIAL 18W 115V	7410
35	1	7319	CHROME BASE W/OPEN BACK (FOR INDICATOR LIGHT #99-17371)	7317
34	1	99-17371	INDICATOR LIGHT AMBER LED 2-WIRE (USE WITH BASE #7319)	7317
33	1	4268	TERMINAL CERAMIC 2-POLE	4268
32	1	4571	CORD, POWER MOLDED 14/3 SJTOW 9-FOOT LENGTH	4571
31	1	3849	DEGREASER HOSE ASSEMBLY (OPEN LOOP)	3849
30	1	99-15031	KEYPAD INF3500/GC	99-15310

DRAWING TITLE:			
ELECTRICAL SCHEMATIC-WIRING DIAGRAM, PLC			
DRAWN BY:	XIN Z.	EQUIPMENT:	
APPROVED BY:		INF-GC	DRAWING NO:
DATE:	2020-01-29	120V 60HZ	99-17384
SCALE:	NTS	REVISION:	05
			SHEET: 3 OF 3
NOTE:		HARDT	
THE INFORMATION CONTAINED HEREIN IS THE PROPERTY OF HARDT EQUIPMENT MANUFACTURING INC. ANY REPRODUCTION, DISCLOSURE OR USE THEREOF IS FORBIDDEN UNLESS PROVIDED BY CONTRACT, OR AS AUTHORIZED IN WRITING BY HARDT EQUIPMENT MANUFACTURING INC.		HARDT EQUIPMENT MANUFACTURING INC.	
		TEL: (514) 631-7271 FAX: (514) 631-7172	

REVISION 00 - 2018-01-08

1. ORIGINAL RELEASE

REVISION 01 - 2018-03-07

1. ADDED COMMUNICATION PLC MODULE & CHANGED ASSOCIATED CIRCUITRY
2. CHANGED PLC OUTPUT DESIGNATION R3 TO IGNITION (WAS 'BURNER') AND R11 DEGREASER SIGNAL (NEW)
3. ADDED COMM MODULE & MICRO-SD MEMORY CARD TO PARTS LIST

REVISION 02 - ECO #2778 - 2018-05-02

1. REPLACED ITEM 3763 BY 99-16475

REVISION 03 - ECO #2895 - 2019-02-28


1. REMOVED GROUND SYMBOLS FROM IGNITION MODULE

REVISION 04 - ECO #2976 - 2019-09-09

1. CHANGED DESCRIPTION OF #7319, WAS: CHROME BASE W/OPEN BACK (FOR INDICATOR LIGHT #7318)
2. CHANGED ITEM 34 FROM #7318 TO #99-17371

REVISION 05 - ECO #2990- 2020-01-29

- 1) ADDED ITEM 9013

DRAWING TITLE:			
ELECTRICAL SCHEMATIC-WIRING DIAGRAM, PLC			
DRAWN BY:	XIN Z.	EQUIPMENT:	DRAWING NO:
APPROVED BY:		INF-GC 120V 60HZ	99-17384
DATE:	2020-01-29	SCALE: NTS	REVISION: 05 SHEET: 4 OF 3
NOTE: THE INFORMATION CONTAINED HEREIN IS THE PROPERTY OF HARDT EQUIPMENT MANUFACTURING INC. ANY REPRODUCTION, DISCLOSURE OR USE THEREOF IS PERMITTED ONLY AS PROVIDED BY CONTRACT, OR AS AUTHORIZED IN WRITING BY HARDT EQUIPMENT MANUFACTURING INC.			HARDT EQUIPMENT MANUFACTURING INC. TEL: (514) 631-7271 FAX: (514) 631-7172

29	1	5581	FUSE 1.5-AMP FAST-BLOW 1/4 x 1 1/4"	5581
28	1	4220.0.550	PROBE, TEMPERATURE, TYPE-K THERMOCOUPLE	4220.0.550
27	1	6517	SOLID STATE RELAY SIEMENS 3RF2020-1AA22	6517.UPGRADE
26	1	20406	VALVE, SOLENOID	20406
25	2	20260	FUSE 2-AMP FAST-BLOW 1/4 x 1-1/4	20260
24	1	11009	TERMINAL BLOCK 12-POSITION	11009
23	1	8265	RECTIFIER, BRIDGE	8265
22	1	6643	INDICATOR LAMP RED LED 12V	6669
21	1	7322	DRAIN PUMP (SEE 99-16447)	99-16447
20	1	7127	FUSE 12-AMP SLOW-BLOW 1/4 x 1-1/4"	7127
19	1	4065	FUSE 4-AMP SLOW-BLOW 1/4 x 1-1/4"	4065
18	1	6999	IGNITOR, HOT SURFACE (SI)	99-16663
17	1	7803	FLAME SENSOR, DUAL THERMOCOUPLE TYPE K	7803.ASSY
16	1	7453	MODULE, IGNITION , CHANNEL PRODUCTS, THERMAL SENSING	7453
15	1	4592	BOARD ASSEMBLY, CONTROLLER	CALL HARDT
14	1	4591	BOARD ASSEMBLY, DISPLAY	4591.NEW
13	1	4563	SWITCH GREEN MANUAL ADVANCE NO	4563
12	1	4320	SWITCH RED MAIN ON/OFF NC	4320
11	1	4067	CIRCUIT BREAKER SEALED 12.5A 240VAC 15.6A TRIP	4067
10	1	4302	BUZZER 24V	4302
9	1	8998	LIGHT BULB, HALOGEN, 12V/20W, W/GLASS COVER	8998
8	1	4102	REED SENSOR MK11 S/S M5 THREAD	14064
7	1	6996	TRANSFORMER 115V/10VAC	6996
6	1	4021	VALVE, GAS	4021
5	2	4010	TRANSFORMER 120V/24V	4010
4	1	3787	TRANSFORMER 115V/12VAC	3787
3	1	3766	PUMP, DEGREASER	99-16964
2	1	99-16475	RECIRCULATION PUMP ASS'Y 100-130V	99-16475
1	1	3120	MOTOR 1/4-HP 120V 60HZ	3120
ITEM	QTY	PART	DESCRIPTION	SERVICE NO

43	1	9013	LAMP HOLDER HALOGEN BI-PIN G4 W/18" LEADS	9013
42	1	4102	REED SENSOR MK11 S/S M5 THREAD	99-16883
41	1	7414	BATTERY HOLDER SIZE C	99-14482
40	1	7319	CHROME BASE W/OPEN BACK (FOR INDICATOR LIGHT #99-17371)	7317
39	1	7457	TERMINAL BLOCK EURO CERAMIC 30A 300V	7457
38	2	(REF.6516)	THERMOCOUPLE EXTENSION CABLE,TYPE-K, 2-WIRE, 260C, 24AWG, POLYMER JACKET	9049
37	1	7410	FAN TUBE AXIAL 18W 115V	7410
36	1	7413	BATTERY LITHIUM "C" CELL 3.6V -55°C TO 150°C	7413
35	1	99-17371	INDICATOR LIGHT AMBER LED 2-WIRE (USE WITH BASE #7319)	7317
34	1	4268	TERMINAL CERAMIC 2-POLE	4268
33	1	4571	CORD, POWER MOLDED 14/3 SJTOW 9-FOOT LENGTH	4571
32	1	3849	DEGREASER HOSE ASSEMBLY (OPEN LOOP)	3849
31	1	99-15031	KEYPAD INF3500/GC	99-15310
30	5	5474	HOLDER, FUSE, SINGLE (FOR 1/4 X 1 1/4" FUSES)	5474

DRAWING TITLE: ELECTRICAL SCHEMATIC-WIRING DIAGRAM, THERMAL SENSING			
DRAWN BY: XIN Z.	EQUIPMENT: INF-GC	DRAWING NO: 99-7691	
APPROVED BY:			
DATE: 2020-01-29	SCALE: NTS	REVISION: 12	SHEET: 2 OF 3

NOTE:
THE INFORMATION CONTAINED HEREIN IS THE PROPERTY OF HARDT EQUIPMENT MANUFACTURING INC. ANY REPRODUCTION, DISCLOSURE OR USE THEREOF IS PERMITTED ONLY AS PROVIDED BY CONTRACT, OR AS AUTHORIZED IN WRITING BY HARDT EQUIPMENT MANUFACTURING INC.



HARDT EQUIPMENT MANUFACTURING INC.


TEL: (514) 631-7271 FAX: (514) 631-7172

HARNESS#1		
WIRE	FROM ITEM#	TO ITEM#
BLACK	12	13
BLACK	7	24
BLACK	24	14
BLACK	24	24
BROWN	5	24
GRAY	24	7
ORANGE	5	25
RED	27	13
RED	24	7
RED	15	36
BLACK	15	36
WHITE	24	7
WHITE	24	24
WHITE	24	24
WHITE	24	24
RBG 3 x22	15	14

HARNESS#2		
WIRE	FROM ITEM#	TO ITEM#
BLACK (B)	24	27
BLACK (D)	24	16
BLACK (C)	24	15
BLACK (A)	24	12
BLACK (H)	11	12
BLUE (A)	26	15
GRAY (A)	21	15
GRN/YLW (B)	SPLICE	15
GRN/YLW	GROUND	16
GRN/YLW (D)	SPLICE	6
GRN/YLW (A)	SPLICE	15
GRN/YLW (C)	16	SPLICE
GRN/YLW (E)	SPLICE	GROUND
GRN/YLW	SPLICE	SPLICE
ORANGE	4	4
ORANGE (A)	4	15
ORANGE (D)	37	4
PURPLE (A)	15	2
RED (E)	13	20
RED (I)	15	27
RED (J)	16	18
RED (H)	1	20
WHITE	4	4
WHITE (J)	24	27
WHITE (E)	24	4
WHITE (F)	24	5
WHITE (H)	24	26
WHITE (C)	24	21
WHITE (B)	24	1
WHITE (D)	24	18
WHITE (G)	24	2
WHITE (K)	24	37
WHITE (A)	24	SPLICE
YELLOW (A)	15	5

HARNESS#3		
WIRE	FROM ITEM#	TO ITEM#
BLACK (E)	24	4
BLACK (J)	22	15
BLACK (I)	15	24
BLACK (K)	35	15
BLACK (F)	34	24
BLACK (Q)	23	3
BLUE (B)	16	15
BROWN (D)	42	15
BROWN (B)	16	24
BROWN (A)	15	24
BROWN (C)	10	24
BROWN (E)	15	6
GRAY (C)	8	15
GRAY (B)	10	15
ORANGE (C)	16	15
ORANGE (B)	15	25
ORANGE	23	3
RED (K)	16	22
RED (A)	24	25
RED (B)	15	24
RED (C)	24	19
RED (G)	7	25
RED (F)	4	19
RED (D)	34	24
RED (L)	32	15
WHITE (L)	32	24
YELLOW (F)	42	24
YELLOW (D)	8	24
YELLOW (C)	15	24
YELLOW (B)	16	6

NOTE:
THE INFORMATION CONTAINED HEREIN IS THE PROPERTY OF HARDT EQUIPMENT MANUFACTURING INC. ANY REPRODUCTION, DISCLOSURE OR USE THEREOF IS PERMITTED ONLY AS PROVIDED BY CONTRACT, OR AS AUTHORIZED IN WRITING BY HARDT EQUIPMENT MANUFACTURING INC.

DRAWING TITLE: ELECTRICAL SCHEMATIC-WIRING DIAGRAM, THERMAL SENSING			
DRAWN BY: XIN Z.	EQUIPMENT: INF-GC	DRAWING NO: 99-7691	
APPROVED BY:			
DATE: 2020-01-29	SCALE: NTS	REVISION: 12	SHEET: 3 OF 3
 HARDT EQUIPMENT MANUFACTURING INC.		TEL: (514) 631-7271 FAX: (514) 631-7172	

REVISION 00 - 26 MAR 2013
1. ORIGINAL RELEASE (REF. DRAWING. 99-7609-9)

REVISION 01 - CCR #2033 - 18 JUL 2014
- MULTIPLE CHANGES

REVISION 02 - CCR #2289 - 2015-08-05
1. REPLACED P/N 7377 WITH P/N 7318 AND P/N 7319

REVISION 03 - ECO #2341 - 2015-10-16
1. REPLACED P/N 4052M WITH P/N 6517

REVISION 04 - ECO #2442 - 2016-02-22
1) DRAIN PUMP #7322 REPLACE BY DRAIN PUMP ASSEMBLY #99-16447 2) REMOVE COMPONENTS LOCATIONS SHEET

REVISION 05 - ECO #2458, 2460 - 2016-04-26
1) REVISED CONNECTIONS OF DEGREASER PUMP AND DRAIN PUMP
2) DRAIN PUMP ASSEMBLY 99-16447 IS CHANGE TO DRAIN PUMP P/N 7322
3) REMOVED TAGS ON BOTH SIDES OF SPLICES

REVISION 06 - ECO #2545 - 2016-10-04
1) REVISED TERMINAL IDENTIFICATION OF IGNITION MODULE

REVISION 07 - ECO #2596, #2643, #2672, #2753 - 2018-03-19
1) REVISED BOM
2) ADDED NEW PAGE TO SHOW HARNESS WIRE CONNECTIONS
3) REPLACED 2 WHITE WIRES BY BLACK WIRES
4) REPLACED IDENTIFICATION LETTER "N" BY "Q"


REVISION 08 - ECO #2778 - 2018-05-03
1) REPLACED ITEM 3763 BY 99-16475

REVISION 09 - ECO #2812 - 2018-08-03
1) REMOVED SWITCH PUSH BUTTON (P/N 4110)
2) REVISED SERVICE NO. OF P/N 7414

REVISION 10 - ECO #2895 - 2019-02-28
1. REMOVED GROUND SYMBOLS FROM IGNITION MODULE

REVISION 11 - ECO #2976 - 2019-09-03
1. CHANGED DESCRIPTION OF #7319, WAS: CHROME BASE W/OPEN BACK (FOR INDICATOR LIGHT #7318)
2. CHANGED ITEM 35 FROM #7318 TO #99-17371

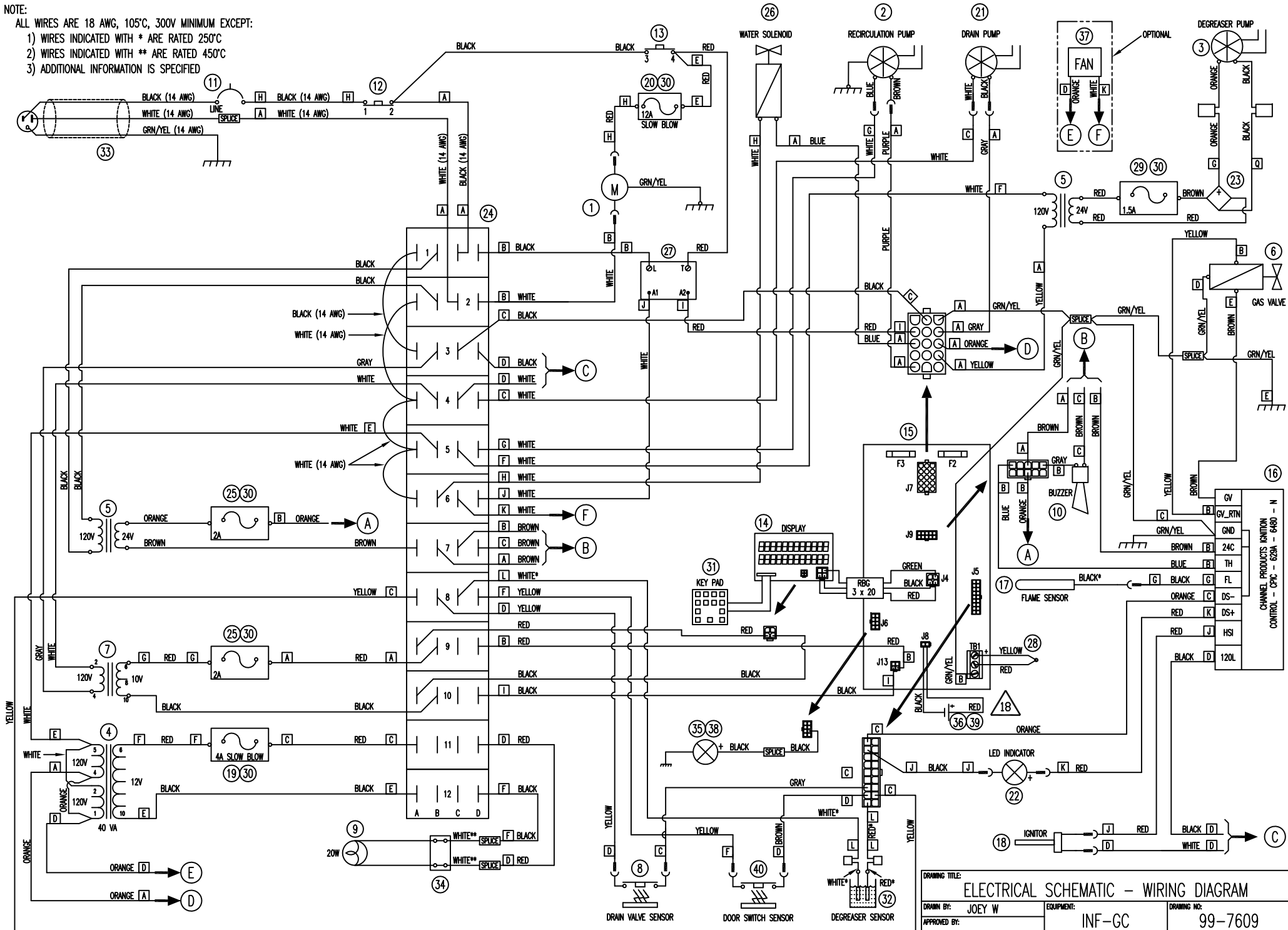
REVISION 12 - ECO #2990- 2020-01-29
1) ADDED ITEM 9013

DRAWING TITLE: REVISION HISTORY-WIRING DIAGRAM, THERMAL SENSING			
DRAWN BY: XIN Z.	EQUIPMENT: INF-GC	DRAWING NO: 99-7691	
APPROVED BY:			
DATE: 2020-01-29	SCALE: NTS	REVISION: 12	SHEET: 4 OF 3
NOTE: THE INFORMATION CONTAINED HEREIN IS THE PROPERTY OF HARDT EQUIPMENT MANUFACTURING INC. ANY REPRODUCTION, DISCLOSURE OR USE THEREOF IS PERMITTED ONLY AS PROVIDED BY CONTRACT, OR AS AUTHORIZED IN WRITING BY HARDT EQUIPMENT MANUFACTURING INC.		 HARDT EQUIPMENT MANUFACTURING INC. TEL: (514) 631-7271 FAX: (514) 631-7172	

NOTE:

ALL WIRES ARE 18 AWG, 105°C, 300V MINIMUM EXCEPT:

- 1) WIRES INDICATED WITH * ARE RATED 250°C
- 2) WIRES INDICATED WITH ** ARE RATED 450°C
- 3) ADDITIONAL INFORMATION IS SPECIFIED



DRAWING TITLE: **ELECTRICAL SCHEMATIC - WIRING DIAGRAM**

DRAWN BY: JOEY W	EQUIPMENT: INF-GC	DRAWING NO: 99-7609
APPROVED BY:	SCALE: NTS	REVISION: 18
DATE: 2019-09-09	SHEET: 1 OF 2	

NOTE: THE INFORMATION CONTAINED HEREIN IS THE PROPERTY OF HARDT EQUIPMENT MANUFACTURING INC. ANY REPRODUCTION, DISCLOSURE OR USE THEREOF IS PERMITTED ONLY AS PROVIDED BY CONTRACT, OR AS AUTHORIZED IN WRITING BY HARDT EQUIPMENT MANUFACTURING INC.

HARDT EQUIPMENT MANUFACTURING INC.
 TEL: (514) 631-7271 FAX: (514) 631-7172

28	1	4220.0.550	PROBE, TEMPERATURE, TYPE-K THERMOCOUPLE	4220.0.550
27	1	6517	SOLID STATE RELAY SIEMENS 3RF2020-1AA22	6517.UPGRADE
26	1	20406	VALVE, SOLENOID	20406
25	2	20260	FUSE 2-AMP FAST-BLOW 1/4 x 1-1/4	20260
24	1	11009	TERMINAL BLOCK 12-POSITION	11009
23	1	8265	RECTIFIER, BRIDGE	8265
22	1	6643	INDICATOR LAMP RED LED 12V	6669
21	1	7322	DRAIN PUMP (SEE 99-16447)	99-16447
20	1	7127	FUSE 12-AMP SLOW-BLOW 1/4 x 1-1/4"	7127
19	1	4065	FUSE 4-AMP SLOW-BLOW 1/4 x 1-1/4"	4065
18	1	6999	IGNITOR, HOT SURFACE (SI)	99-16663
17	1	6719	FLAME SENSOR DUAL PROBE 3500/GC	6719
0	1	6721.RELAY	MODULE, IGNITION , CHANNEL PRODUCTS	6721.RELAY
15	1	4592	BOARD ASSEMBLY, CONTROLLER	CALL HARDT
14	1	4591	BOARD ASSEMBLY, DISPLAY	4591.NEW
13	1	4563	SWITCH GREEN MANUAL ADVANCE NO	4563
12	1	4320	SWITCH RED MAIN ON/OFF NC	4320
11	1	4067	CIRCUIT BREAKER SEALED 12.5A 240VAC 15.6A TRIP	4067
10	1	4302	BUZZER 24V	4302
9	1	8998	LIGHT BULB, HALOGEN, 12V/20W, W/GLASS COVER	8998
8	1	4102	REED SENSOR MK11 S/S M5 THREAD	14064
7	1	6996	TRANSFORMER 115V/10VAC	6996
6	1	4021	VALVE, GAS	4021
5	2	4010	TRANSFORMER 120V/24V	4010
4	1	3787	TRANSFORMER 115V/12VAC	3787
3	1	3766	PUMP, DEGREASER	99-16964
2	1	99-16475	RECIRCULATION PUMP ASS'Y 100-130V	99-16475
1	1	3120	MOTOR 1/4-HP 120V 60HZ	3120
ITEM	QTY	PART	DESCRIPTION	SERVICE NO

40	1	4102	REED SENSOR MK11 S/S M5 THREAD	99-16883
39	1	7414	BATTERY HOLDER SIZE C	99-14482
38	1	7319	CHROME BASE W/OPEN BACK (FOR INDICATOR LIGHT #99-17371)	7317
37	1	7410	FAN TUBE AXIAL 18W 115V	7410
36	1	7413	BATTERY LITHIUM "C" CELL 3.6V -55°C TO 150°C	7413
35	1	99-17371	INDICATOR LIGHT AMBER LED 2-WIRE (USE WITH BASE #7319)	7317
34	1	4268	TERMINAL CERAMIC 2-POLE	4268
33	1	4571	CORD, POWER MOLDED 14/3 SJTOW 9-FOOT LENGTH	4571
32	1	3849	DEGREASER HOSE ASSEMBLY (OPEN LOOP)	3849
31	1	99-15031	KEYPAD INF3500/GC	99-15310
30	5	5474	HOLDER, FUSE, SINGLE (FOR 1/4 X 1 1/4" FUSES)	5474
29	1	5581	FUSE 1.5-AMP FAST-BLOW 1/4 x 1 1/4"	5581



DRAWING TITLE: ELECTRICAL SCHEMATIC - WIRING DIAGRAM			
DRAWN BY: JOEY W	EQUIPMENT: INF-GC	DRAWING NO: 99-7609	
APPROVED BY:			
DATE: 2019-09-09	SCALE: NTS	REVISION: 18	SHEET: 2 OF 2
NOTE: THE INFORMATION CONTAINED HEREIN IS THE PROPERTY OF HARDT EQUIPMENT MANUFACTURING INC. ANY REPRODUCTION, DISCLOSURE OR USE THEREOF IS PERMITTED ONLY AS PROVIDED BY CONTRACT, OR AS AUTHORIZED IN WRITING BY HARDT EQUIPMENT MANUFACTURING INC.		HARDT EQUIPMENT MANUFACTURING INC. TEL: (514) 631-7271 FAX: (514) 631-7172	

REVISION 0 - 8 APR 2011

- 1) ORIGINAL RELEASE

REVISION 1 - 6 JUNE 2011

- 1) MODIFIED SCHEMATIC AS PER FINAL (UL) PROTOTYPE

REVISION 2 - 8 AUGUST 2011

- 1) UPDATE LABELING FROM NUMBERS TO LETTERS
2) REROUTE GROUND CONNECTION FOR DRIVE MOTOR, GAS VALVE AND IGNITION MODULE

REVISION 3 - 17 FEB 2012

- 1) ADD ITEMS #36 AND #37

REVISION 4 - 29 FEB 2012

- 1) ADD ITEM #38 (FAN)
2) UPDATED PAGE 3 AND 4 WITH NEW ILLUSTRATION

REVISION 5 - 28 MAR 2012

- 1) REMOVE TWO FASTON
2) REMOVE SPLICE AND "OPTIONAL" FOR ALARM LIGHT
3) ADD WIRE INFORMATION FOR FAN

REVISION 6 - 03 APR 2012

- 1) UPDATE BOM WITH 99-14429 REV.1
2) CLEAN UP BALLOON NUMBERS ON PAGE 3
3) REPLACE ITEM 37 BY PN:7413 (BATTERY SIZE "C")

REVISION 7 - 23 JUL 2012

- 1) RELOCATE WIRE "K" FROM POLE#4 TO POLE#6 WITH WHITE WIRE "J"

REVISION 8 - 18 OCT 2012

- 1) REPLACE MARRETS BY TERMINALS

REVISION 9 - CCR #1681 - 30 NOV 2012

- 1) REPLACE WIRE YLW 300V-E WITH WHT-HT-250-L AND WIRE BLU 300V-C WITH RED-HT-250-L
CCR #1665 - 12 DEC 2012
1) ADD NOTE " SERVICE PART #6669 "

REVISION 10 - CCR #2033 - 31 MAR 2014

- MULTIPLE CHANGES

REVISION 11 - CCR #2221 - 15 APR 2015

- UPDATE DRAWING TO INCLUDE NEW FLAME SENSOR
- ECO #2402 - 2015-12-21

- 1) SHEET 4 - RELAY #6517 WAS #4052M
2) REMOVE COMPONENTS LOCATIONS SHEET

REVISION 12 - ECO #2442 - 2016-02-22

DRAIN PUMP #7322 IS CHANGE TO DRAIN PUMP ASSEMBLY #99-16447

REVISION 13 - ECO #2458, 2460 - 2016-04-26

- 1) REVISED CONNECTIONS OF DEGREASER PUMP AND DRAIN PUMP
2) DRAIN PUMP ASSEMBLY 99-16447 IS CHANGE TO DRAIN PUMP P/N 7322
3) REMOVED TAGS ON BOTH SIDES OF SPLICES

REVISION 14 - ECO #2553 - 2017-01-16

- 1. REPLACE ITEM #7377 WITH #7318 AND #7319

REVISION 15 - ECO #2596, 2643, 2710 - 2017-12-18

- 1) ADDED ITEM 40 (P/N 7414), ITEM 32 (P/N 3849)
2) REPLACED P/N: 7803 WITH P/N: 6719, 99-15310 WITH 99-15031
3) ADDED SERVICE NO COLUMN
4) SPLIT P/N 4102 TO TWO ITEMS DUE TO DIFFERENT SERVICE NO
5) REPLACED 2 WHITE WIRES BY BLACK WIRES
6) REPLACED IDENTIFICATION LETTER "N" BY "Q"

REVISION 16 - ECO #2778 - 2018-05-03

- 1) REPLACED ITEM 3763 BY 99-16475

REVISION 17 - ECO #2812 - 2018-08-03

- 1) REMOVED SWITCH PUSH BUTTON (P/N 4110)
2) REVISED SERVICE NO. OF P/N 7414

REVISION 18 - ECO #2976 - 2019-09-09

- 1. CHANGED DESCRIPTION OF #7319, WAS: CHROME BASE W/OPEN BACK (FOR INDICATOR LIGHT #7318)
2. CHANGED ITEM 35 FROM #7318 TO #99-17371

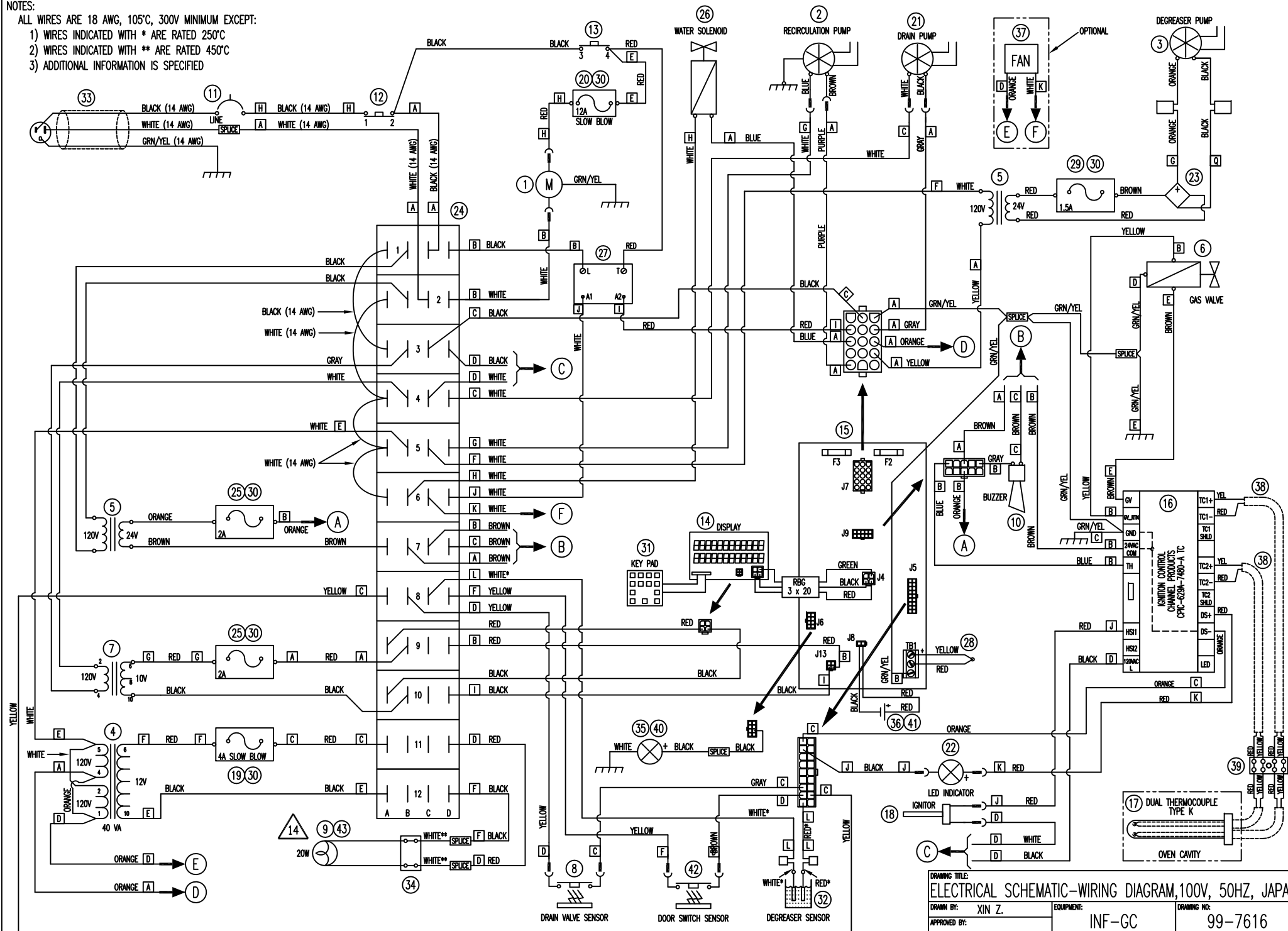
NOTE: THE INFORMATION CONTAINED HEREIN IS THE PROPERTY OF HARDT EQUIPMENT MANUFACTURING INC. ANY REPRODUCTION, DISCLOSURE OR USE THEREOF IS PERMITTED ONLY AS PROVIDED BY CONTRACT, OR AS AUTHORIZED IN WRITING BY HARDT EQUIPMENT MANUFACTURING INC.

Table with drawing metadata including title 'REVISION HISTORY - WIRING DIAGRAM', drawing by 'JOEY W', equipment 'INF-GC', drawing no '99-7609', date '2019-09-09', scale 'NTS', revision '18', and sheet '3 OF 3'. Includes the Hardt Equipment Manufacturing Inc. logo and contact information.

NOTES:

ALL WIRES ARE 18 AWG, 105°C, 300V MINIMUM EXCEPT:

- 1) WIRES INDICATED WITH * ARE RATED 250°C
- 2) WIRES INDICATED WITH ** ARE RATED 450°C
- 3) ADDITIONAL INFORMATION IS SPECIFIED



DRAWING TITLE:
ELECTRICAL SCHEMATIC-WIRING DIAGRAM, 100V, 50HZ, JAPAN

DRAWN BY: XIN Z. EQUIPMENT: INF-GC DRAWING NO: 99-7616

APPROVED BY: DATE: 2020-01-29 SCALE: NTS REVISION: 1.4 SHEET: 1 OF 3

NOTE:
THE INFORMATION CONTAINED HEREIN IS THE PROPERTY OF HARDT EQUIPMENT MANUFACTURING INC. ANY REPRODUCTION, DISCLOSURE OR USE THEREOF IS PERMITTED ONLY AS PROVIDED BY CONTRACT, OR AS AUTHORIZED IN WRITING BY HARDT EQUIPMENT MANUFACTURING INC.

HARDT HARDT EQUIPMENT MANUFACTURING INC.
TEL: (514) 631-7271 FAX: (514) 631-7172

29	1	5581	FUSE 1.5-AMP FAST-BLOW 1/4 x 1 1/4"	5581
28	1	4220.0.550	PROBE, TEMPERATURE, TYPE-K THERMOCOUPLE	4220.0.550
27	1	6517	SOLID STATE RELAY SIEMENS 3RF2020-1AA22	6517.UPGRADE
26	1	20406	VALVE, SOLENOID	20406
25	2	20260	FUSE 2-AMP FAST-BLOW 1/4 x 1-1/4	20260
24	1	11009	TERMINAL BLOCK 12-POSITION	11009
23	1	8265	RECTIFIER, BRIDGE	8265
22	1	6643	INDICATOR LAMP RED LED 12V	6669
21	1	7322	DRAIN PUMP (SEE 99-16447)	99-16447
20	1	7127	FUSE 12-AMP SLOW-BLOW 1/4 x 1-1/4"	7127
19	1	4065	FUSE 4-AMP SLOW-BLOW 1/4 x 1-1/4"	4065
18	1	6999	IGNITOR, HOT SURFACE (SI)	99-16663
17	1	7803	FLAME SENSOR, DUAL THERMOCOUPLE TYPE K	7803.ASSY
16	1	7453	MODULE, IGNITION , CHANNEL PRODUCTS, THERMAL SENSING	7453
15	1	4592	BOARD ASSEMBLY, CONTROLLER	CALL HARDT
14	1	4591	BOARD ASSEMBLY, DISPLAY	4591.NEW
13	1	4563	SWITCH GREEN MANUAL ADVANCE NO	4563
12	1	4320	SWITCH RED MAIN ON/OFF NC	4320
11	1	4067	CIRCUIT BREAKER SEALED 12.5A 240VAC 15.6A TRIP	4067
10	1	4302	BUZZER 24V	4302
9	1	8998	LIGHT BULB, HALOGEN, 12V/20W, W/GLASS COVER	8998
8	1	4102	REED SENSOR MK11 S/S M5 THREAD	14064
7	1	6996	TRANSFORMER 115V/10VAC	6996
6	1	4021	VALVE, GAS	4021
5	2	4010.JAPAN	TRANSFORMER 120V/24V 40VA 50/60Hz	4010.JAPAN
4	1	3787	TRANSFORMER 115V/12VAC	3787
3	1	3766	PUMP, DEGREASER	99-16964
2	1	99-16475	RECIRCULATION PUMP ASS'Y 100-130V	99-16475
1	1	3127	MOTOR 1/3 HP 115/230V 50/60HZ	3127
ITEM	QTY	PART	DESCRIPTION	SERVICE NO

43	1	9013	LAMP HOLDER HALOGEN BI-PIN G4 W/18" LEADS	9013
42	1	4102	REED SENSOR MK11 S/S M5 THREAD	99-16883
41	1	7414	BATTERY HOLDER SIZE C	99-14482
40	1	7319	CHROME BASE W/OPEN BACK (FOR INDICATOR LIGHT #99-17371)	7317
39	1	7457	TERMINAL, CERAMIC, 4-POLE	7457
38	2	(REF.6516)	THERMOCOUPLE EXTENSION CABLE,TYPE-K, 2-WIRE, 260C, 24AWG, POLYMER JACKET	9049
37	1	7410	FAN TUBE AXIAL 18W 115V	7410
36	1	7413	BATTERY LITHIUM 'C' CELL 3.6V -55°C TO 150°C	7413
35	1	99-17371	INDICATOR LIGHT AMBER LED 2-WIRE (USE WITH BASE #7319)	7317
34	1	4268	TERMINAL CERAMIC 2-POLE	4268
33	1	4571	CORD, POWER MOLDED 14/3 SJTOW 9-FOOT LENGTH	4571
32	1	3849	DEGREASER HOSE ASSEMBLY (OPEN LOOP)	3849
31	1	99-15031	KEYPAD INF3500/GC	99-15310
30	5	5474	HOLDER, FUSE, SINGLE (FOR 1/4 X 1 1/4" FUSES)	5474

DRAWING TITLE:			
ELECTRICAL SCHEMATIC-WIRING DIAGRAM,100V, 50HZ, JAPAN			
DRAWN BY:	XIN Z.	EQUIPMENT:	DRAWING NO:
APPROVED BY:		INF-GC	99-7616
DATE:	2020-01-29	SCALE: NTS	REVISION:14
			SHEET: 2 OF 3

NOTE:
THE INFORMATION CONTAINED HEREIN IS THE PROPERTY OF HARDT EQUIPMENT MANUFACTURING INC. ANY REPRODUCTION, DISCLOSURE OR USE THEREOF IS FORBIDDEN UNLESS AS PROVIDED BY CONTRACT, OR AS AUTHORIZED IN WRITING BY HARDT EQUIPMENT MANUFACTURING INC.



HARDT EQUIPMENT MANUFACTURING INC.

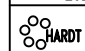
TEL: (514) 631-7271 FAX: (514) 631-7172

HARNES#1		
WIRE	FROM ITEM#	TO ITEM#
BLACK	12	13
BLACK	7	24
BLACK	24	14
BLACK	24	24
BROWN	5	24
GRAY	24	7
ORANGE	5	25
RED	27	13
RED	24	7
RED	15	36
BLACK	15	36
WHITE	24	7
WHITE	24	24
WHITE	24	24
WHITE	24	24
RBG 3 x22	15	14

HARNES#2		
WIRE	FROM ITEM#	TO ITEM#
BLACK (B)	24	27
BLACK (D)	24	16
BLACK (C)	24	15
BLACK (A)	24	12
BLACK (H)	11	12
BLUE (A)	26	15
GRAY (A)	21	15
GRN/YLW (B)	SPLICE	15
GRN/YLW	GROUND	16
GRN/YLW (D)	SPLICE	6
GRN/YLW (A)	SPLICE	15
GRN/YLW (C)	16	SPLICE
GRN/YLW (E)	SPLICE	GROUND
GRN/YLW	SPLICE	SPLICE
ORANGE	4	4
ORANGE (A)	4	15
ORANGE (D)	37	4
PURPLE (A)	15	2
RED (E)	13	20
RED (I)	15	27
RED (J)	16	18
RED (H)	1	20
WHITE	4	4
WHITE (J)	24	27
WHITE (E)	24	4
WHITE (F)	24	5
WHITE (H)	24	26
WHITE (C)	24	21
WHITE (B)	24	1
WHITE (D)	24	18
WHITE (G)	24	2
WHITE (K)	24	37
WHITE (A)	24	SPLICE
YELLOW (A)	15	5

HARNES#3		
WIRE	FROM ITEM#	TO ITEM#
BLACK (E)	24	4
BLACK (J)	22	15
BLACK (I)	15	24
BLACK (K)	35	15
BLACK (F)	34	24
BLUE (B)	16	15
BROWN (D)	42	15
BROWN (B)	16	24
BROWN (A)	15	24
BROWN (C)	10	24
BROWN (E)	15	6
GRAY (C)	8	15
GRAY (B)	10	15
ORANGE (C)	16	15
ORANGE (B)	15	25
ORANGE	23	3
RED (K)	16	22
RED (A)	24	25
RED (B)	15	24
RED (C)	24	19
RED (G)	7	25
RED (F)	4	19
RED (D)	34	24
RED (L)	32	15
WHITE	23	3
WHITE (L)	32	24
YELLOW (F)	42	24
YELLOW (D)	8	24
YELLOW (C)	15	24
YELLOW (B)	16	6

NOTE:
 THE INFORMATION CONTAINED HEREIN IS THE PROPERTY OF HARDT EQUIPMENT MANUFACTURING INC. ANY REPRODUCTION, DISCLOSURE OR USE THEREOF IS FORBIDDEN UNLESS AUTHORIZED BY CONTRACT, OR AS AUTHORIZED IN WRITING BY HARDT EQUIPMENT MANUFACTURING INC.

DRAWING TITLE: ELECTRICAL SCHEMATIC-WIRING DIAGRAM,100V, 50HZ, JAPAN			
DRAWN BY: XIN Z.	EQUIPMENT: INF-GC	DRAWING NO: 99-7616	
APPROVED BY:	DATE: 2020-01-29	SCALE: NTS	REVISION: 14
		SHEET: 3 OF 3	
 HARDT EQUIPMENT MANUFACTURING INC.		TEL: (514) 631-7271 FAX: (514) 631-7172	

REVISION 0 - 17 APR 2013

- 1) ORIGINAL RELEASE

REVISION 01 - 01-OCT-2013

- 1) NEW 3D TRANSFORMER 4010.JAPAN

REVISION 02 - CCR#2033 - 16-JULY-2014

- REVISED BOM
- ADDED INDICATION OF SPARE FUSES

REVISION 03 - 2015-07-09

- 1) CCR# 2287
 - CHANGED THERMAL SENSING
 - UPDATED BOM

REVISION 04 - CCR #2289 - 2015-08-05

- 1. REPLACED P/N 7377 WITH P/N 7318 AND P/N 7319

REVISION 05 - ECO #2402 - 2015-12-22

- 1) SHEET 4 - RELAY #6517 WAS #4052M
- 2) REMOVE COMPONENTS LOCATIONS SHEET

REVISION 06 - ECO #2442 - 2016-02-22

- 1) DRAIN PUMP #7322 REPLACE BY DRAIN PUMP ASSEMBLY #99-16447
- 2) REMOVE COMPONENTS LOCATIONS SHEET

REVISION 07 - ECO #2458, 2460 - 2016-04-26

- 1) REVISED CONNECTIONS OF DEGREASER PUMP AND DRAIN PUMP
- 2) DRAIN PUMP ASSEMBLY 99-16447 IS CHANGE TO DRAIN PUMP P/N 7322
- 3) REMOVED TAGS ON BOTH SIDES OF SPLICES

REVISION 08 - ECO #2545 - 2016-10-04

- 1) REVISED TERMINAL IDENTIFICATION OF IGNITION MODULE

REVISION 09 - ECO #2596, #2643, #2672, #2710, #2753 - 2018-03-19

- 1) REVISED BOM
- 2) ADDED NEW PAGE TO SHOW HARNESS WIRE CONNECTIONS
- 3) REPLACED 2 WHITE WIRES BY BLACK WIRES
- 4) REPLACED IDENTIFICATION LETTER "N" BY "Q"

REVISION 10 - ECO #2778 - 2018-05-03

- 1) REPLACED ITEM 3763 BY 99-16475

REVISION 11 - ECO #2812 - 2018-08-03

- 1) REMOVED SWITCH PUSH BUTTON (P/N 4110)
- 2) REVISED SERVICE NO. OF P/N 7414

REVISION 12 - ECO #2895 - 2019-02-28

- 1. REMOVED GROUND SYMBOLS FROM IGNITION MODULE

REVISION 13 - ECO #2976 - 2019-09-03

- 1. CHANGED DESCRIPTION OF #7319, WAS: CHROME BASE W/OPEN BACK (FOR INDICATOR LIGHT #7318)
- 2. CHANGED ITEM 35 FROM #7318 TO #99-17371

REVISION 14 - ECO #2990- 2020-01-29

- 1) ADDED ITEM 9013

DRAWING TITLE: REVISION HISTORY-WIRING DIAGRAM,100V, 50HZ, JAPAN			
DRAWN BY: XIN Z.	EQUIPMENT: INF-GC	DRAWING NO: 99-7616	
APPROVED BY:	SCALE: NTS	REVISION: 14	SHEET: 4 OF 3
DATE: 2020-01-29			

NOTE:
THE INFORMATION CONTAINED HEREIN IS THE PROPERTY OF HARDT EQUIPMENT MANUFACTURING INC. ANY REPRODUCTION, DISCLOSURE OR USE THEREOF IS PERMITTED ONLY AS PROVIDED BY CONTRACT, OR AS AUTHORIZED IN WRITING BY HARDT EQUIPMENT MANUFACTURING INC.



HARDT EQUIPMENT MANUFACTURING INC.

TEL: (514) 631-7271 FAX: (514) 631-7172