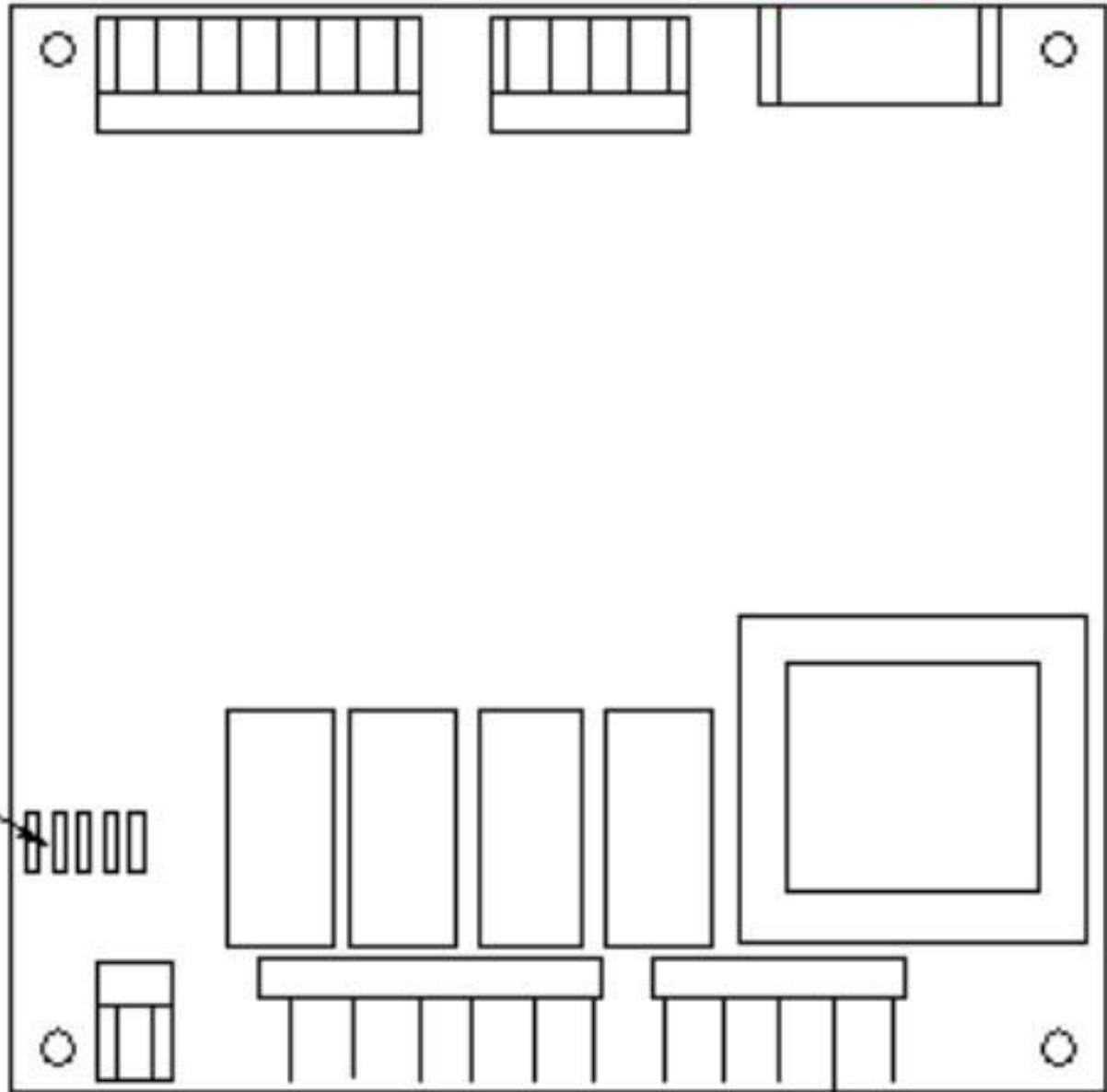


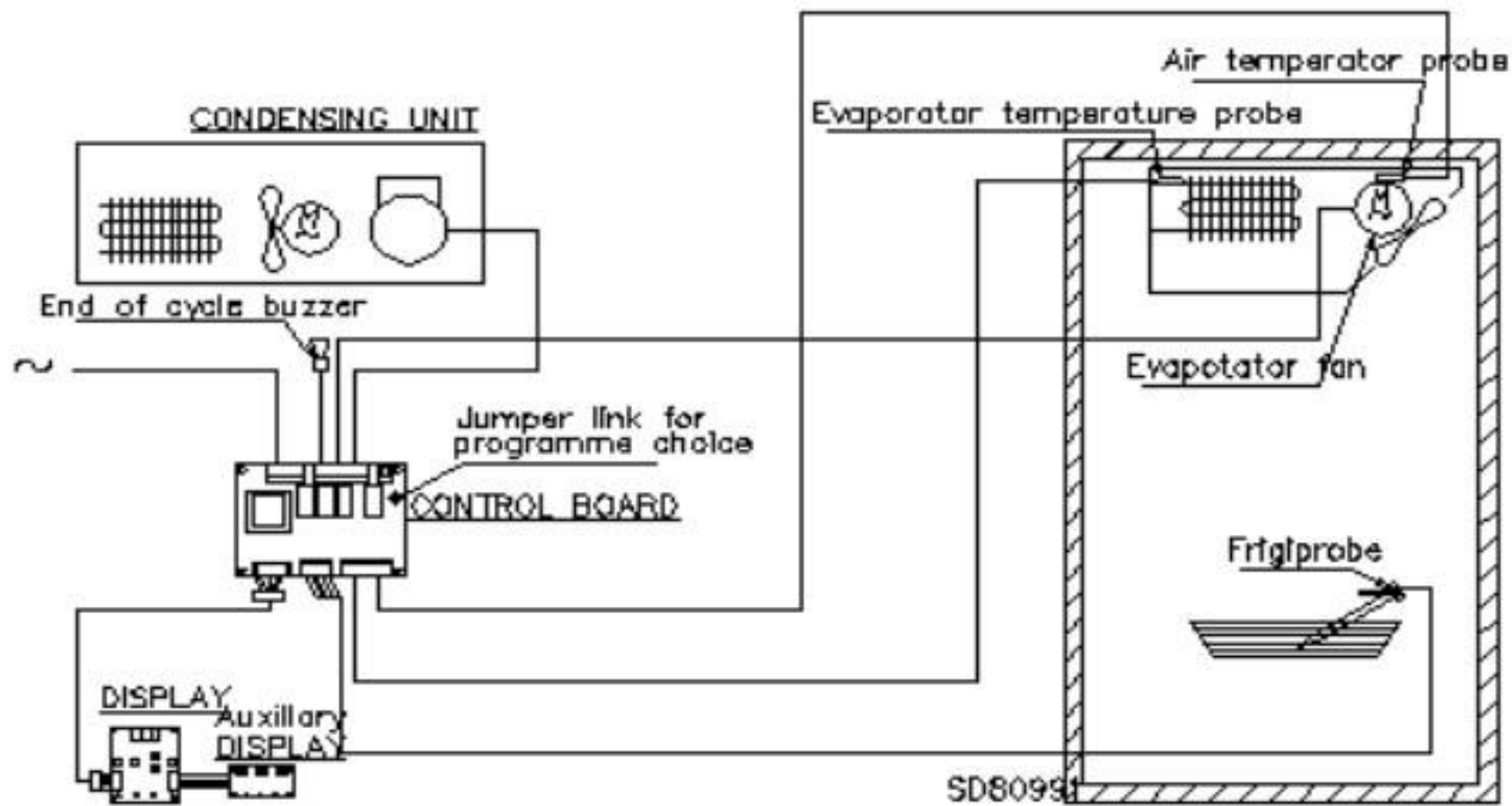
Probes Graph. Frig/Probe
 Air Rph Evap Black wire
 272625242322120 1918171615

Display
 14

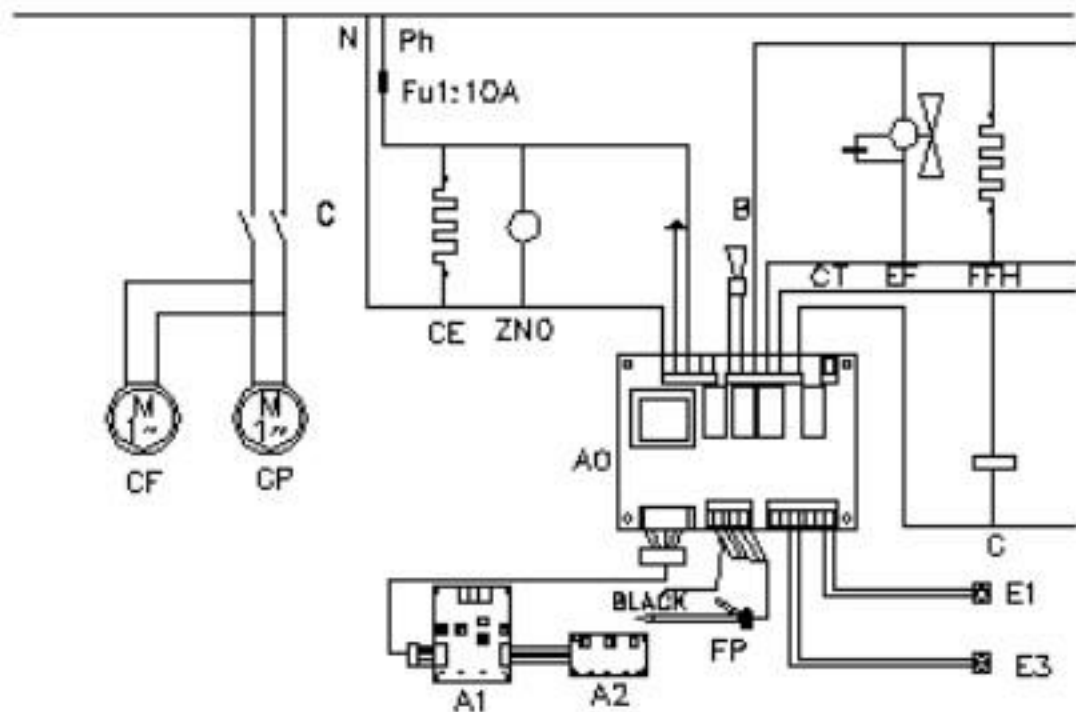


JUMPS

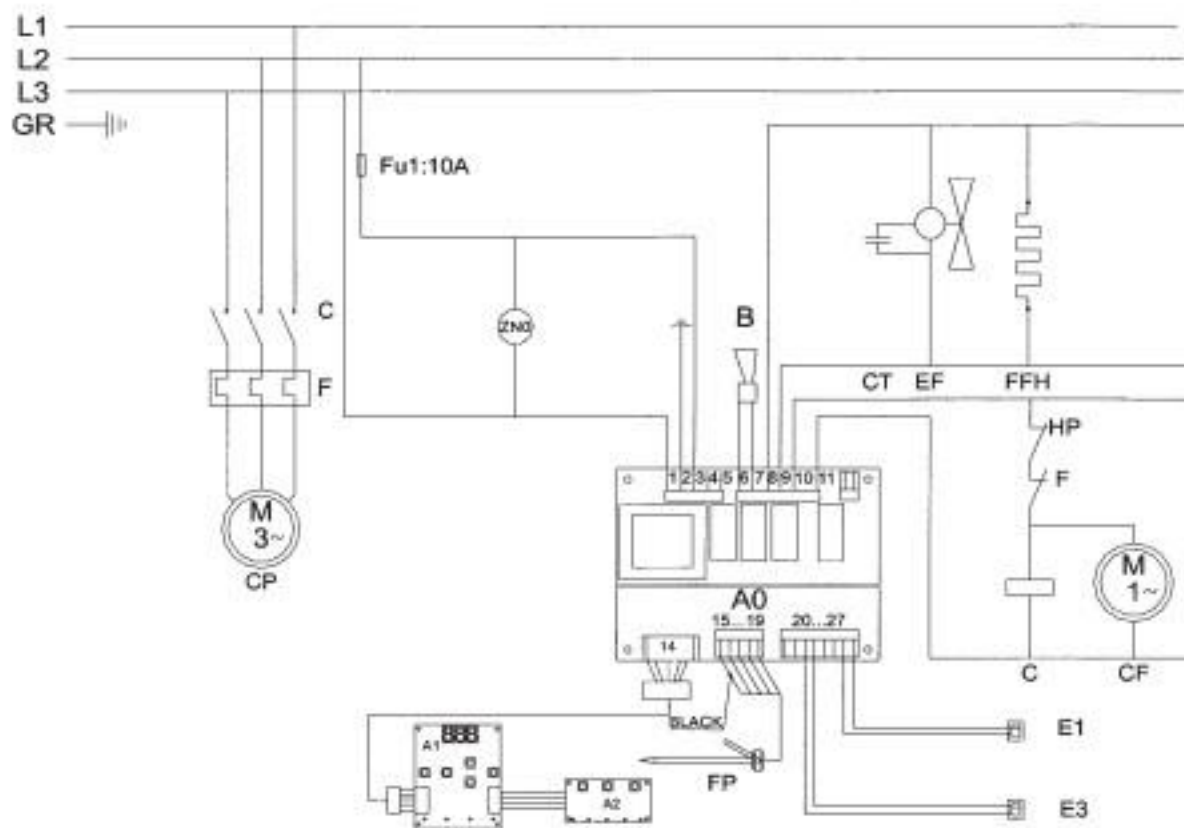
-1312 11 10 9 8 7 6 5 4 3 2 1
 Al.12V.DC Comp Fan Buzzer Defr Ph Gr N



Mark	Designation
Fu1	Fuse
ZNO	Varfator
A0	Control board
A1	Display board
A2	Auxiliary display board
B	Buzzer
C	Contactar
CE	Condensate evaporator
CF	Condenser fan
CP	Compressor
CT	Capacitor
E1	Air probe
E3	Evaporator probe
EF	Evaporator fan
FFH	Front frame heater
FP	Frigprobe

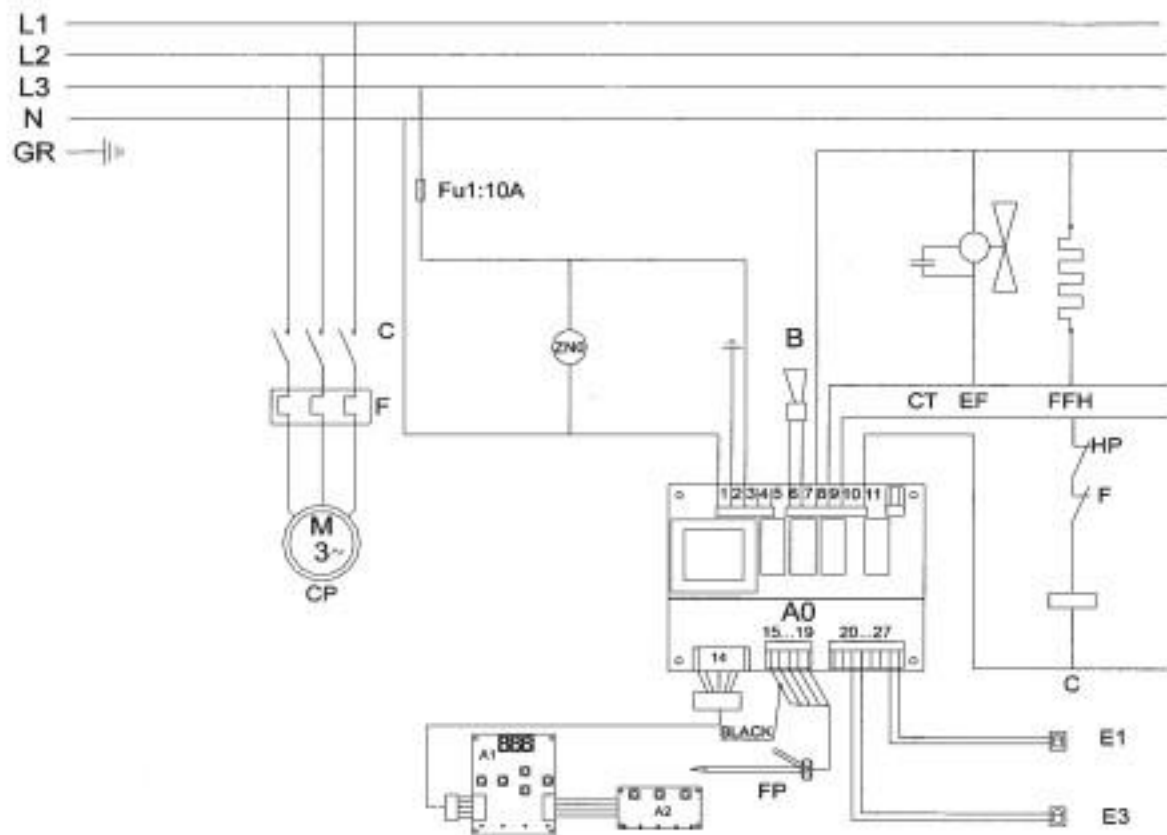


Mark	Designation
Fu1	Fuse
ZNO	Varisator
A0	Control board
A1	Display board
A2	Auxilliary display board
B	Buzzer
C	Contactur
CF	Compressor fan
CP	Compressor
CT	Capacitor
E1	Air probe
E3	Evaporator probe
EF	Evaporator fan
F	Thermal overload relay
FFH	Front frame heater
FP	Frigiprobe
HP	High pressure controller



208-240V/60Hz/3+GR

Mark	Designation
Fu1	Fuse
ZNO	Varisator
A0	Control board
A1	Display board
A2	Auxilliary display board
B	Buzzer
C	Contactora
CP	Compressor
CT	Capacitor
E1	Air probe
E3	Evaporator probe
EF	Evaporator fan
F	Thermal overload relay
FFH	Front frame heater
FP	Frigiprobe
HP	High pressure controller
.	.
.	.



400V /50Hz/3+N+GR