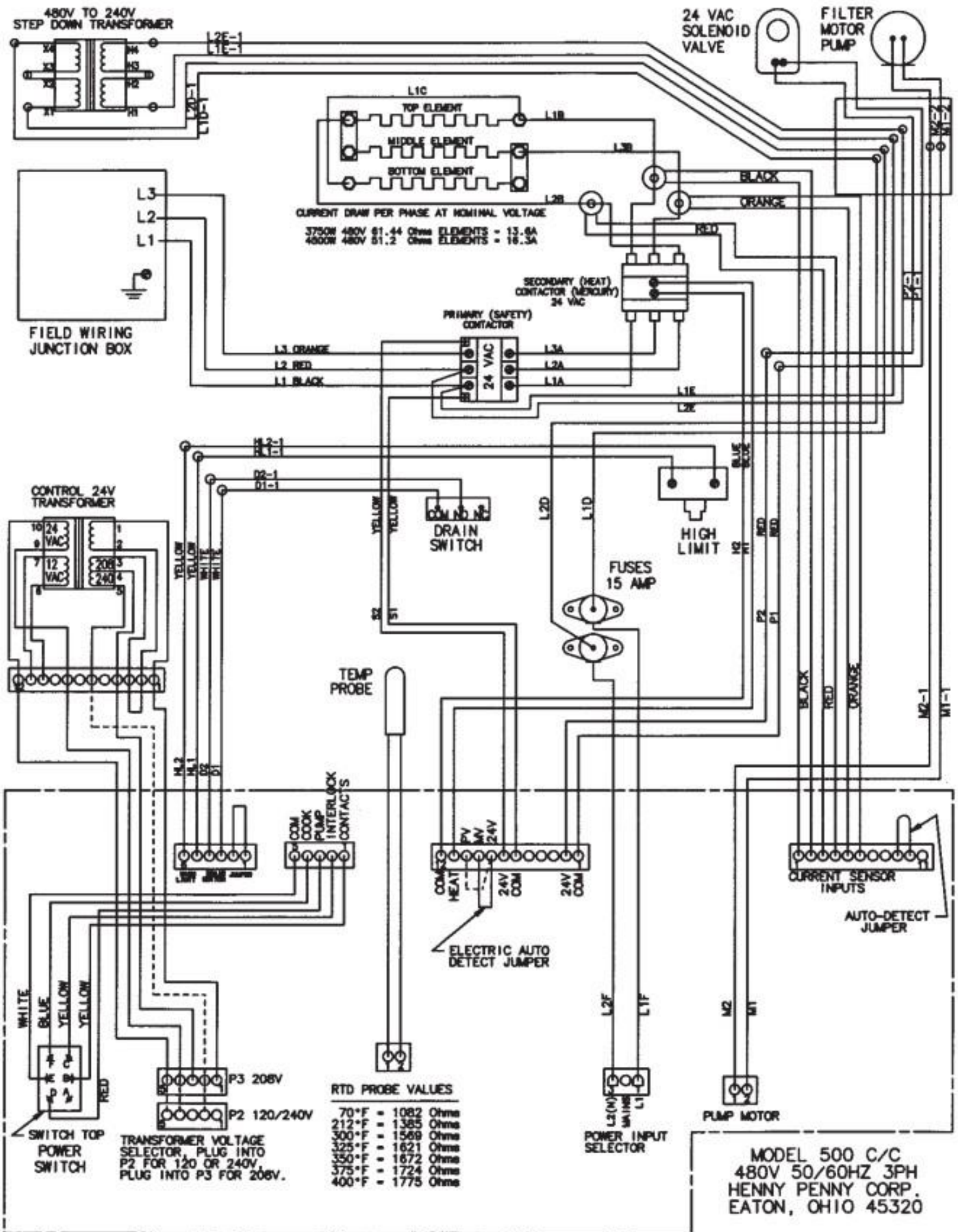


MODEL 500
 380-415V 50HZ 3PH 4W+G
 HENNY PENNY CORP.
 EATON, OHIO 45320



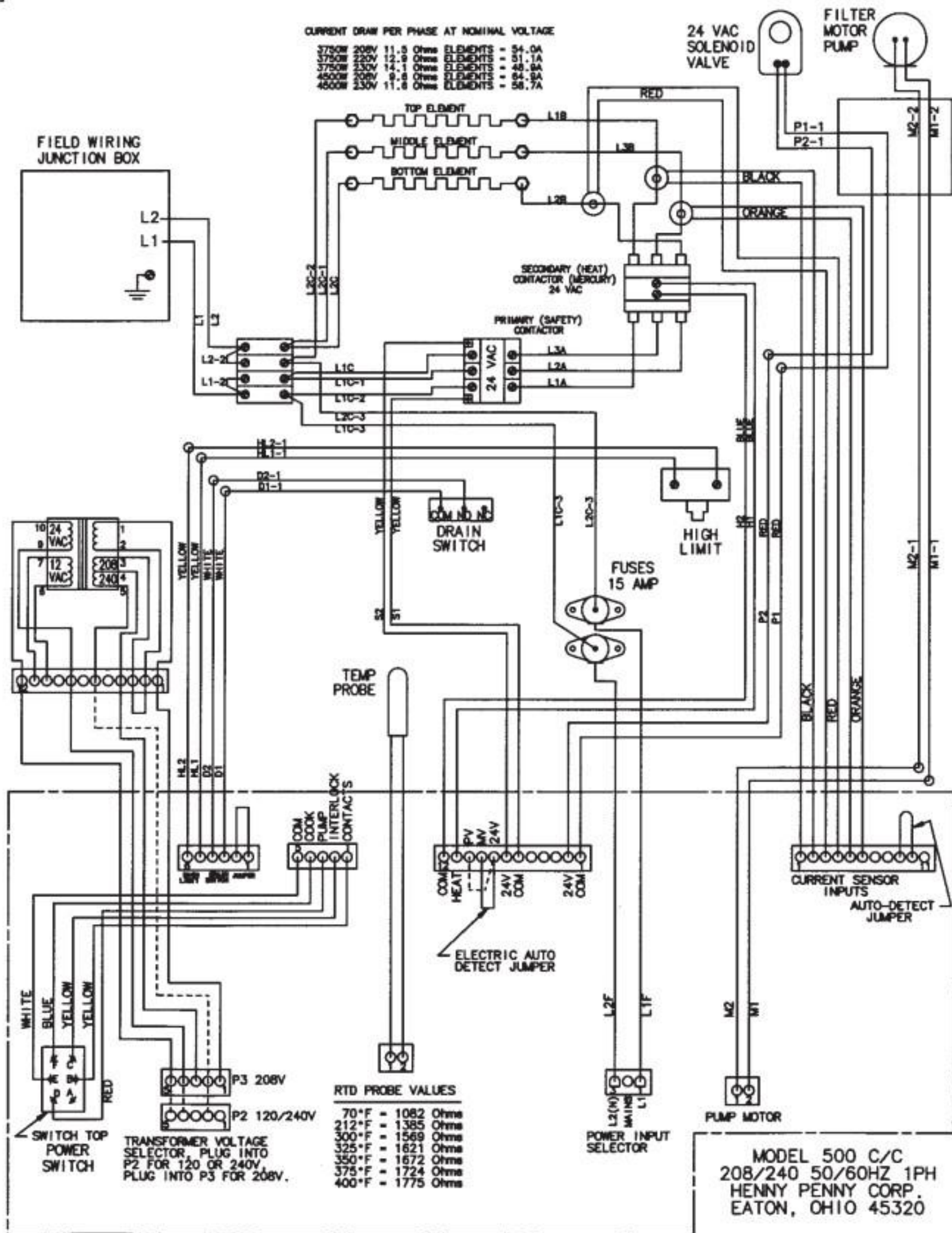
CURRENT DRAW PER PHASE AT NOMINAL VOLTAGE
 3750W 480V 61.44 Ohms ELEMENTS = 13.6A
 4500W 480V 51.2 Ohms ELEMENTS = 16.3A

RTD PROBE VALUES

70°F	= 1082 Ohms
212°F	= 1385 Ohms
300°F	= 1569 Ohms
325°F	= 1621 Ohms
350°F	= 1672 Ohms
375°F	= 1724 Ohms
400°F	= 1775 Ohms

CURRENT DRAW PER PHASE AT NOMINAL VOLTAGE

3750W	208V	11.5 Ohms	ELEMENTS	= 54.0A
3750W	220V	12.9 Ohms	ELEMENTS	= 51.1A
3750W	230V	14.1 Ohms	ELEMENTS	= 48.9A
4500W	208V	9.8 Ohms	ELEMENTS	= 64.9A
4500W	230V	11.8 Ohms	ELEMENTS	= 58.7A



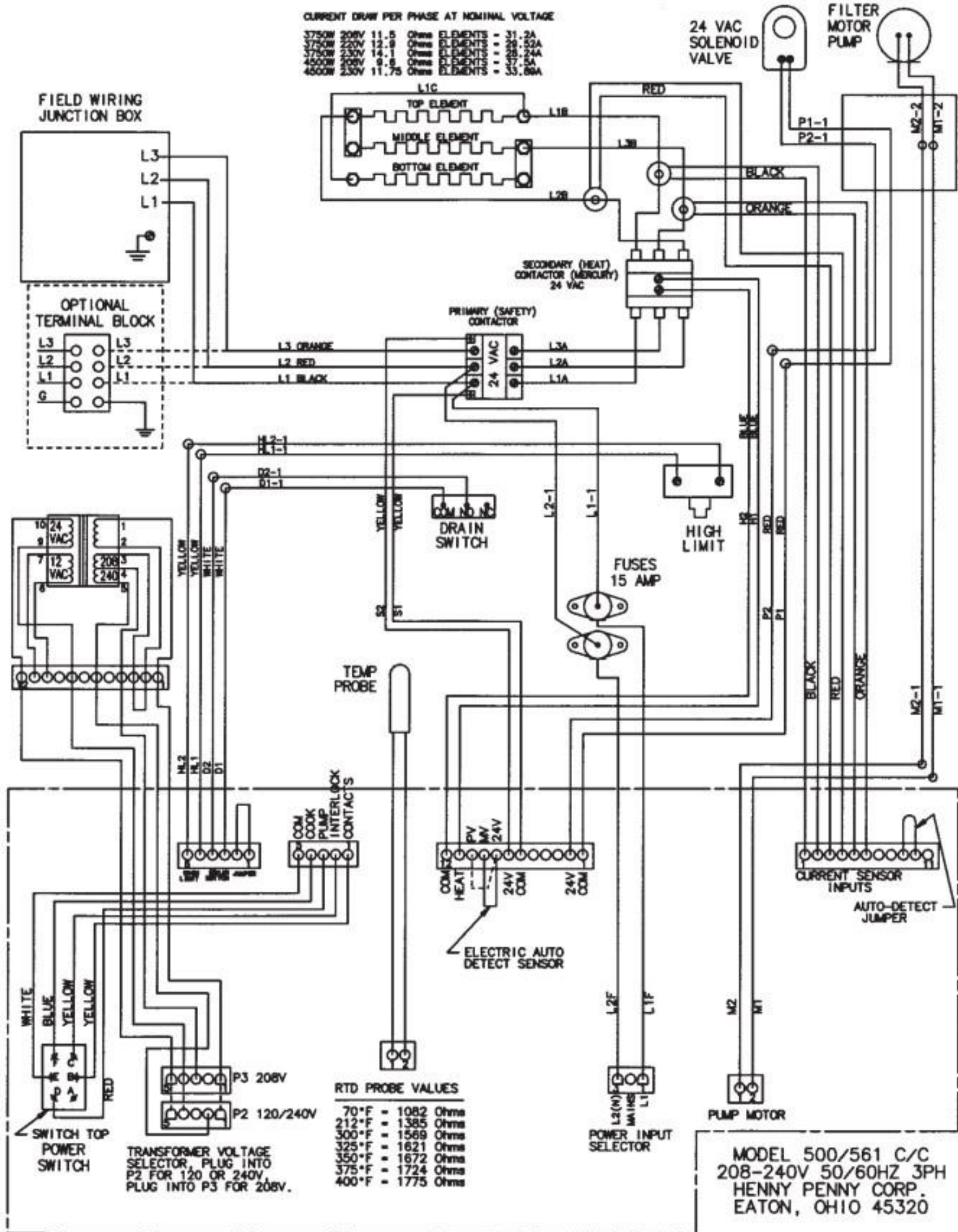
RTD PROBE VALUES

70°F	= 1082 Ohms
212°F	= 1385 Ohms
300°F	= 1569 Ohms
325°F	= 1621 Ohms
350°F	= 1672 Ohms
375°F	= 1724 Ohms
400°F	= 1775 Ohms

MODEL 500 C/C
208/240 50/60HZ 1PH
HENNY PENNY CORP.
EATON, OHIO 45320

CURRENT DRAW PER PHASE AT NOMINAL VOLTAGE

3750W	208V	11.5	Ohms	ELEMENTS	31.2A
3750W	220V	12.5	Ohms	ELEMENTS	32.5A
3750W	230V	14.1	Ohms	ELEMENTS	34.4A
4500W	208V	9.6	Ohms	ELEMENTS	24.5A
4500W	230V	11.75	Ohms	ELEMENTS	28.8A



TRANSFORMER VOLTAGE SELECTOR, PLUG INTO P2 FOR 120 OR 240V, PLUG INTO P3 FOR 208V.

RTD PROBE VALUES

70°F	= 1082 Ohms
212°F	= 1385 Ohms
300°F	= 1569 Ohms
325°F	= 1621 Ohms
350°F	= 1672 Ohms
375°F	= 1724 Ohms
400°F	= 1775 Ohms

MODEL 500/561 C/C
208-240V 50/60HZ 3PH
HENNY PENNY CORP.
EATON, OHIO 45320