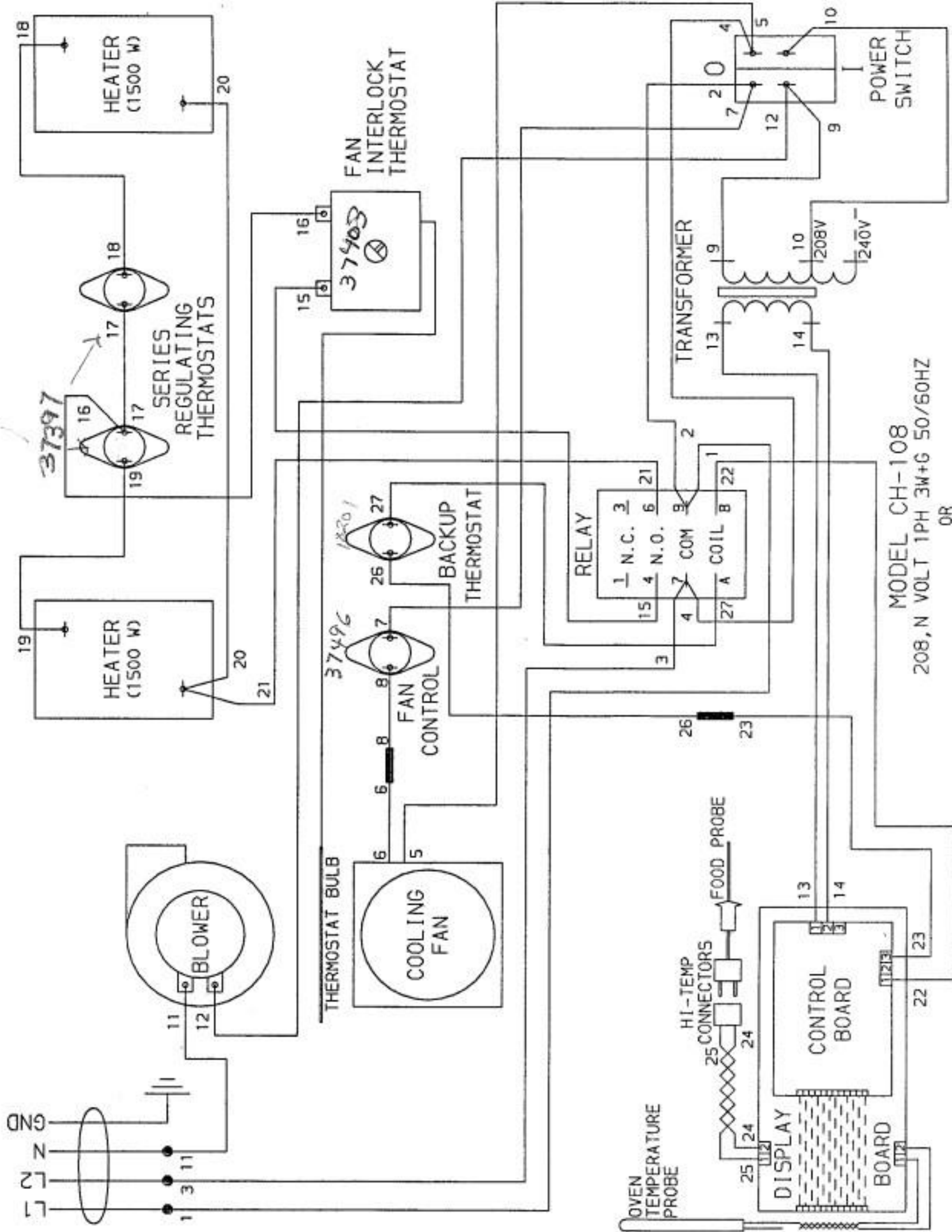


Model CH-108
208-240 VAC, 1 PH, 50/60 HZ

500 98 W



MODEL CH-108
208, N VOLT 1PH 3W+G 50/60HZ
OR
240, N VOLT 1PH 3W+G 50/60HZ

36845