

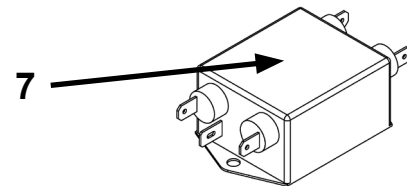
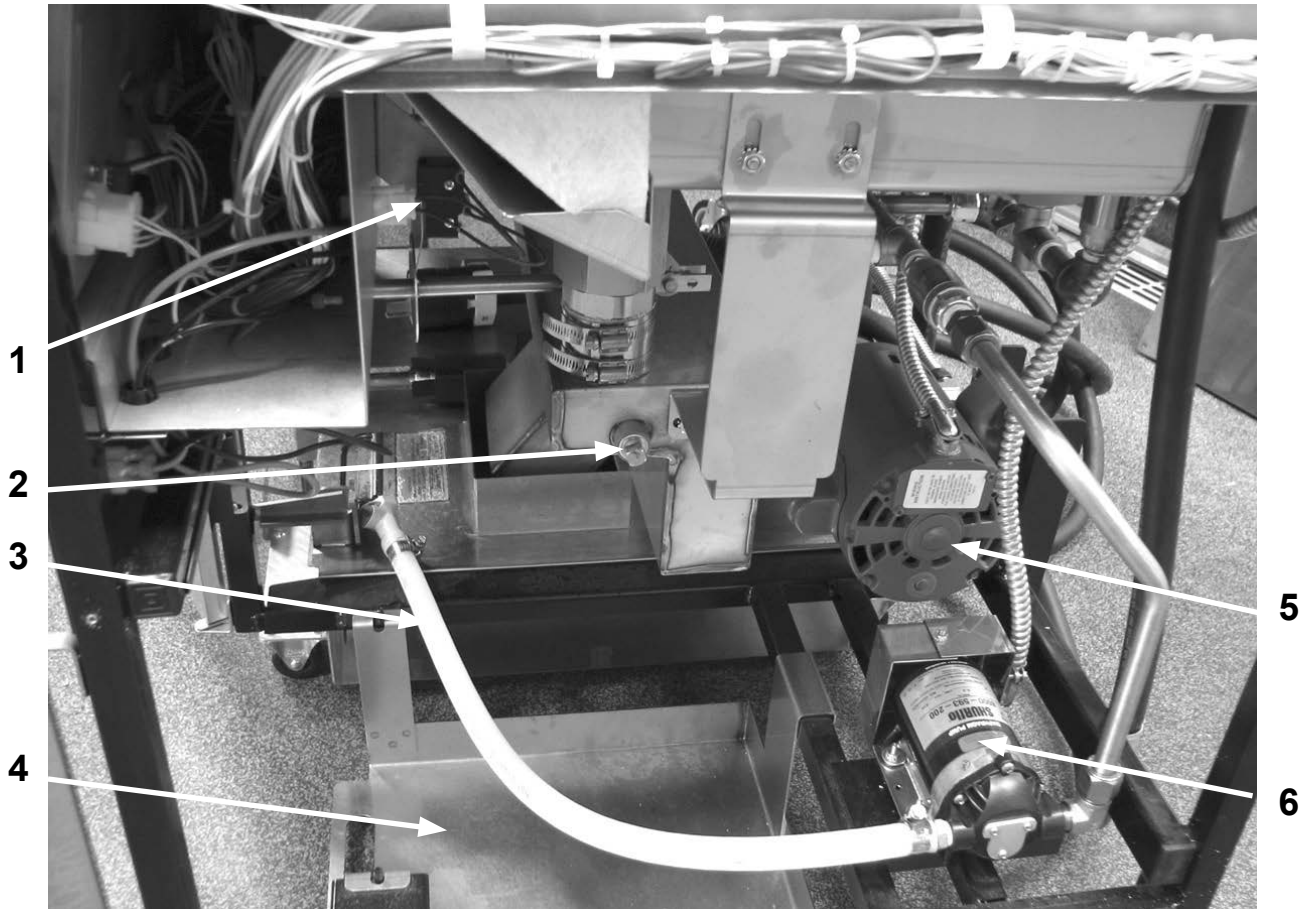
**Electrical Components**

Item No.	Part No.	Description	Quantity
B 1	<a href="#">ME90-008</a>	RELAY - PUMP MOTOR- 12 VDC - 30 AMP .....	AR
B 2	<a href="#">84454RB</a>	PC BOARD - EXPRESS FILTER .....	1
A 3	<a href="#">84134</a>	TRANSFORMER-120V/75VA.....	1/vat**
A 4	<a href="#">EF02-104</a>	FUSE HOLDER - 20A-250V .....	1
A	<a href="#">FA52-005</a>	FUSE - .5 AMP (208/240V FRYERS).....	1
B 5	<a href="#">14974</a>	LEVEL SENSOR - PROBES - 2.5 in.....	2/vat
A 6	<a href="#">EF02-125</a>	BREAKER-PUSH BUTTON RESET - 15 AMP .....	AR

Recommend Parts: A=Truck Stock/B=Dist. Stock / \*not shown

AR=As Required

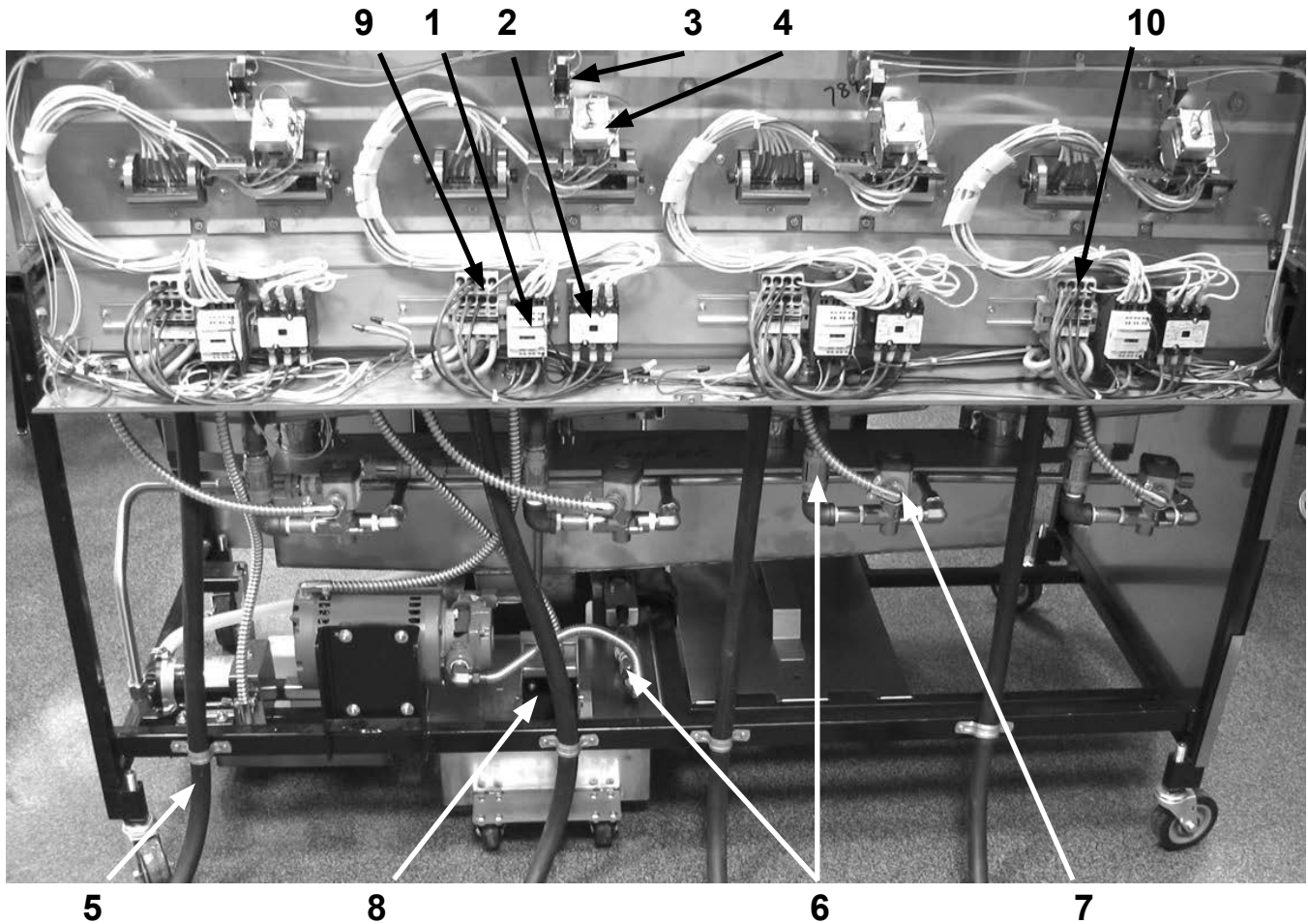
\*\*Only wells with the Express Filter PC board behind the control panel (as shown) has 2 transformers



Recommend Parts: A=Truck Stock/B=Dist. Stock

### Right Side Panel Removed

Item No.	Part No.	Description	Quantity
1	81027	ASSY - LEVER SWITCH & BRACKET .....	1/vat
A	50764	MICROSWITCH - RIGID LEVER.....	1/vat
	81017	HARNESS LEVER SWITCH .....	1/vat
	81495	BRACKET - LEVER SWITCH MOUNTING.....	1/vat
2	FP01-099	PLUG-PIPE 3/8 NPT SS .....	1
B 3	81513	ASSY - HOSE.....	1
4	85966	WELD ASSY - JIB SHELF .....	1
5	69356	PUMP & MOTOR ASSY. - 8GPM.....	1
A	67583	MOTOR - 1/2 HORSE.....	1
B	64218	PUMP - FILTER - 8 GPM .....	1
A	17476	SEAL KIT .....	1
B 6	74583	PUMP - OIL TOP OFF - 230V .....	1



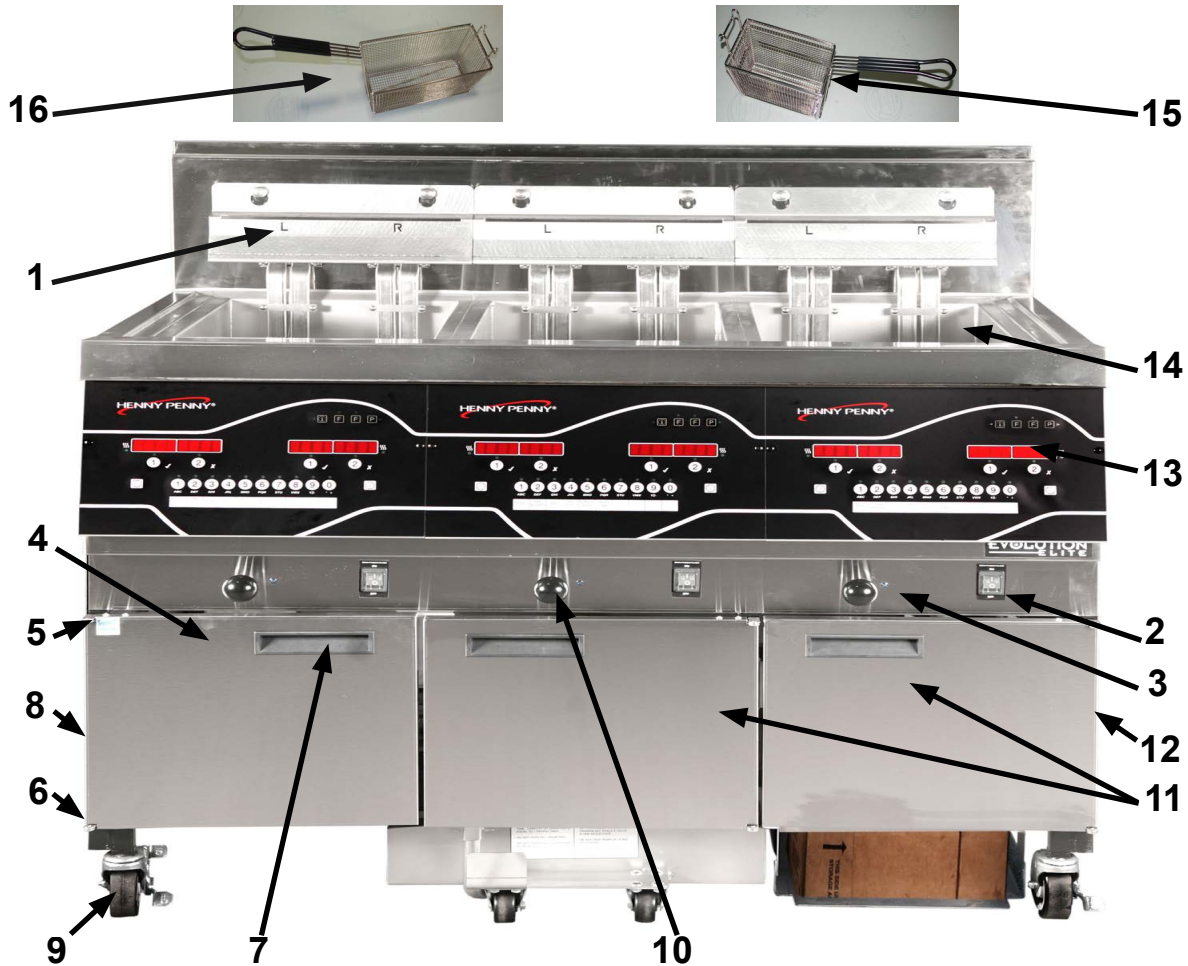
**Rear View**

Item No.	Part No.	Description	Quantity
A 1	78753	CONTACTOR - 24V COIL (Heat Contactor).....	1/vat
A 2	29509	CONTACTOR - 24V COIL (Primary Contactor) .....	1/vat
A 3	18227	SWITCH - ELEMENT LIFT .....	1/vat
A 4	140253	KIT - HIGH LIMIT - 425 F .....	1/vat
5	75381	ASSY - POWER CORD - 208-240V-60 AMP.....	1/vat
5	91786	ASSY - POWER CORD - 208-240V-60 AMP.....	1/vat
5	82087	ASSY - POWER CORD - 208-240V-50 AMP.....	1/vat
5	91787	ASSY - POWER CORD - 208-240V-50 AMP.....	1/vat
A 6	74469	VALVE - CHECK - 1/2" (Vat Fill).....	1/vat
A 7	74582	VALVE - SOLENOID 220-240V - 1/2N (Vat Fill Solenoids).....	1/vat
	140229	KIT-SOLENOID REPAIR.....	A/R
A 8	80148	ASSY-DRAIN SWITCH W/BOOT .....	1
B 9	78702	ASSY - TERMINAL BLOCK - DOM.....	1/vat
B 10	87033	ASSY-TERMINAL BLOCK-DOM (LEFT VAT ONLY-July 2010 & after)	1

Recommend Parts: A=Truck Stock/B=Dist. Stock



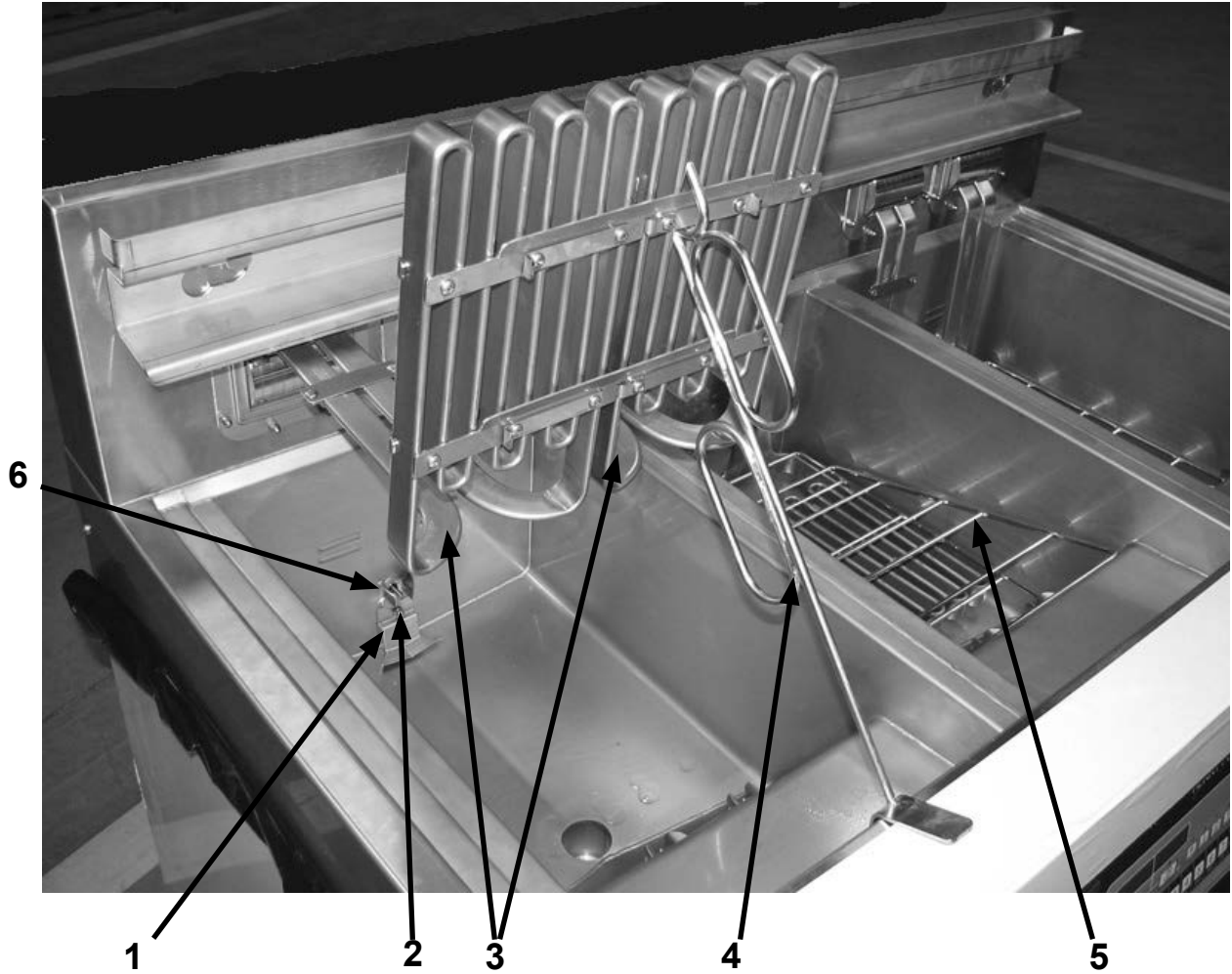
Item No.	Part No.	Description	Quantity
A 1	74469	VALVE - CHECK - 1/2" (Vat Fill).....	2
2	FP01-112	1/2 NPT FEMALE PIPE TEE BI.....	2
3	FP01-035	NIPPLE 1/2 NPT SS - 1 1/2 L.....	4
4	FP01-028	NIPPLE, CLOSE 1/2 NPT SS 1 LG.....	2
5	16807	FITTING CONNECTOR MALE.....	1
6	FP01-096	ELBOW-1/2 X 1/2 FEMALE SS.....	2
A 7	74582	VALVE-1/2 CHECK.....	1
8	FP01-029	REDUCER 1/2NPT M-3/8NPT F SS.....	1
9	56636	PIPE NIPPLE - 1/4NPT X 1.125.....	1
10	FP01-234	REDUCER-3/8 F TO 1/4 F B.I.....	1
11	FP01-240	ELBOW-45 DEG 3/8 NPT 45 FLARE.....	2
12	77523-011	TUBE-SUCTION DORMONT 10.000.....	1
13	80758	ASSY-LVE103 RETURN TUBE.....	1
14	FP01-122	REDUCER 3/8 TO 1/2 B.I.....	1



**Front View**

Item No.	Part No.	Description	Quantity
B 1	151171	HANGER-BASKET - EEE-15X .....	1/vat
A 2	52224	SWITCH - POWER.....	1/vat
B 3	81980	LED - 5 mm BLUE.....	1/vat
4	81185	ASSY-LH DOOR .....	1
4	81847	ASSY-LH DOOR - EEE-154 ONLY (not shown) .....	1
5	17618	TOP HINGE ASSY.....	1
6	17620	BOTTOM HINGE ASSY .....	1
7	41836	DOOR HANDLE.....	1
8	90668	PANEL - LH SIDE - EEE-15X.....	1
9	77575	CASTER - 4" - W/BRAKE .....	2
10	16101	KNOB - SPINDLE - BLACK.....	1/vat
11	81190	ASSY - RH DOOR .....	2
12	90669	PANEL - RH SIDE - EEE-15X.....	1
B 13	90785RB	ASSY - EEE15X CONTROL.....	1/vat
14	03624	WELD ASSY - COVER - FULL VAT .....	1/vat
15	83677	BASKET-SHORT - 1/2 SIZE - EEE-15X .....	2/vat
16	90582	BASKET-1/2 SIZE - EEE-15X.....	2/vat
17	77679	CASTER - 4" (not shown).....	2

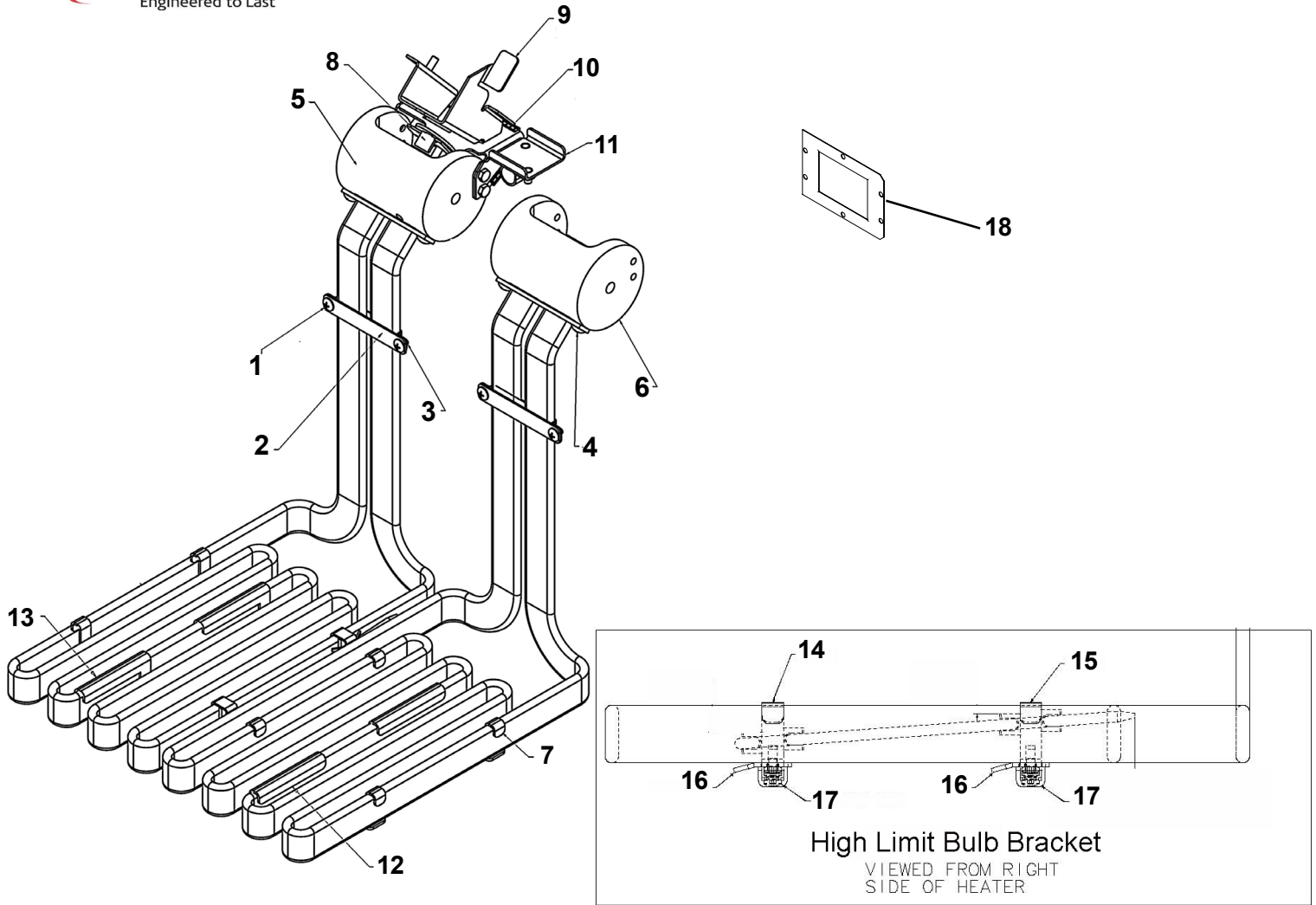
Recommend Parts: A=Truck Stock/B=Dist. Stock



**Top View**

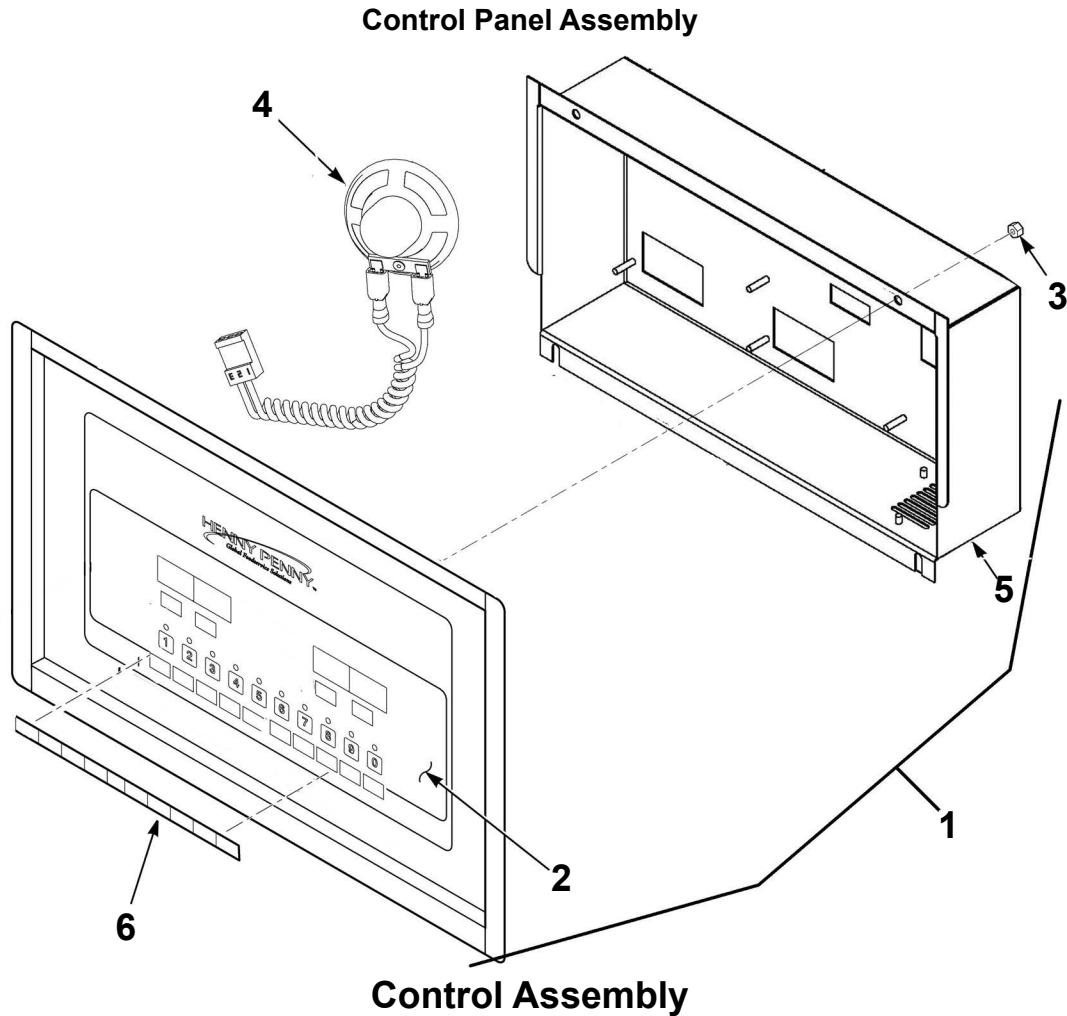
Item No.	Part No.	Description	Quantity
1	86010	WELD ASSY- OIL DIVERTER .....	1/vat
2	NS03-044	NUT - ACORN - #10-24 - SS.....	1/vat
B 3	78484-001	ELEMENT-HEATING - 7 KW-208V .....	2/vat
B 3	78484-006	ELEMENT-HEATING - 7 KW-240V .....	2/vat
B 4	74725	HANDLE - ELEMENT LIFT.....	1
B 5	74916	RACK - FULL VAT .....	1/vat
A 6	14984	PROBE - TEMPERATURE.....	1/vat
7	84921	DIVERTER - OIL FRONT (not shown) .....	2/vat

Recommend Parts: A=Truck Stock/B=Dist. Stock



Item No.	Part No.	Description	Quantity
1	SC01-076	SCREW #8-32 X 1/4 PH THD S.....	2/vat
2	75819	PLATE - FRONT CAPILLARY.....	1/vat
3	75818	PLATE - REAR CAPILLARY.....	1/vat
4	SC01-074	SCREW #10-32 X 1/2 PH THD S.....	4/vat
5	74209	HOUSING - ELEMENT PIVOT.....	1/vat
6	82459	HOUSING - ELEMENT PIVOT - RH FULL.....	1/vat
7	78499	STRAP - SPREADER.....	6/vat
8	73713	WELD ASSY - HI LIMIT RESET PIN.....	1/vat
9	77147	WELD ASSY - PIVOT HI LIMIT BRACKET.....	1/vat
10	78780	BRACKET - HI LIMIT MOUNTING.....	1/vat
11	78896	STUD ASSY - GRND & WIRE MOUNTING.....	1/vat
12	85735	STRAP - SPREADER RH-EEE 14X-SN:BK0912003 & after.....	2/vat
13	85736	STRAP - SPREADER LH-EEE 14X-SN:BK0912003 & after.....	2/vat
14	78614	GUARD - FULL FRONT HI LIMIT.....	1/vat
15	78615	GUARD - FULL REAR HI LIMIT.....	1/vat
16	78494	WELD ASSY - SPREADER - FULL.....	2/vat
17	SC04-003	SCREW #8-32 X 3/8 PH PHD S.....	12/vat
B 18	76964	GASKET - PIVOT HUB.....	2/vat
A 19	OR01-004	O-RING (Fits on element against items #5 & 6) (not shown).....	2/element

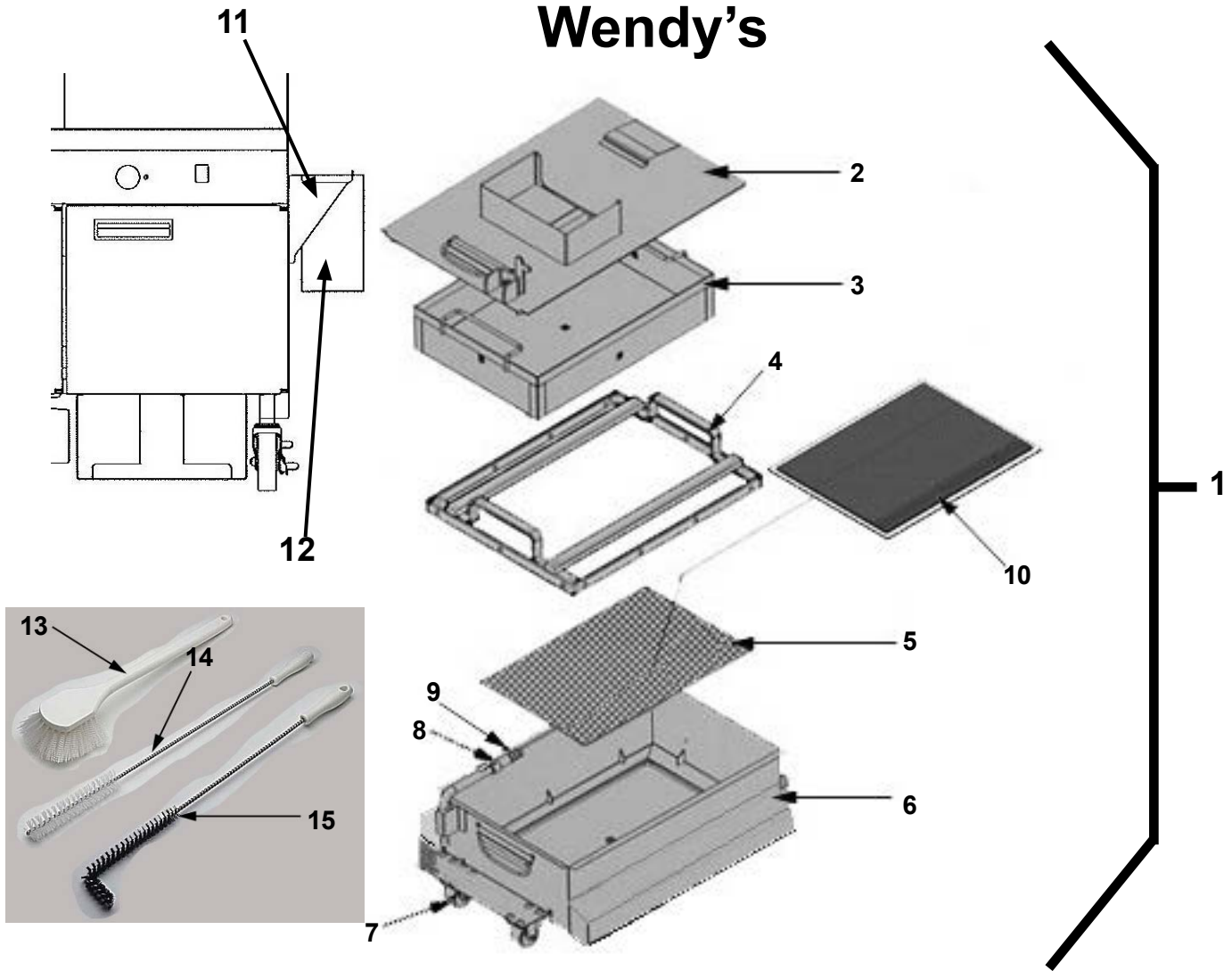
Recommend Parts: A=Truck Stock/B=Dist. Stock



Item No.	Part No.	Description	Quantity
B 1	90785RB	ASSY - EEE15X CONTROL.....	1/vat
2	81354	DECAL - EVOLUTION ELITE® CONTROL.....	1/control
2	83206	DECAL - EE AUTO-LIFT CONTROL.....	1/control
3	NS02-005	NUT - HEX KEPS #6-32 C.....	23/control
B 4	26974	ASSY - SPEAKER.....	1/control
5	82085	STUD ASSY - CONTROL PANEL COVER.....	1/control
6	86293	MENU CARD - EVOLUTION - WENDY'S.....	1/control
6	81613	MENU CARD - BLANK - EVOLUTION.....	1/control
A 7	MS01-571	TOOL - TERMINAL EXTRACTOR (not shown).....	1
8	84910	ASSY - MMC/SD EVENT LOGGER (not shown).....	1

Recommend Parts: A=Truck Stock/B=Dist. Stock

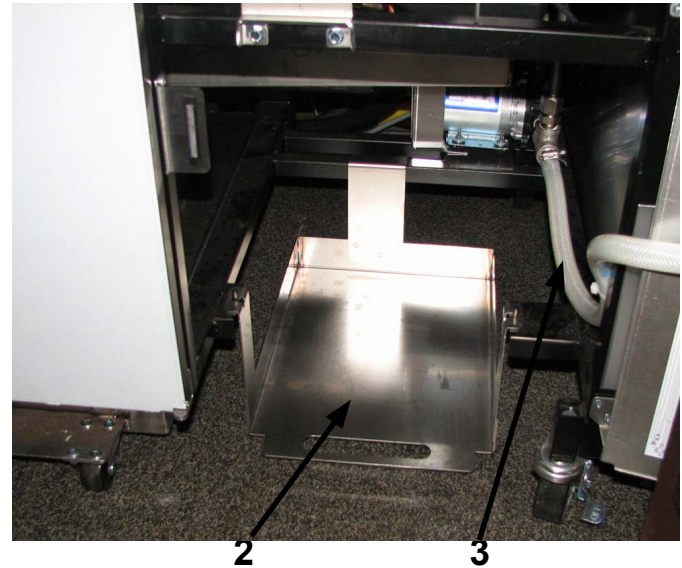
# Wendy's



## EEE-15X Filter Pan Assembly, Brushes & Accessory Holder

Item No.	Part No.	Description	Quantity
1	91130	ASSY - WIDE DRAIN PAN .....	1
2	82673	ASSY-DRAIN PAN COVER.....	1
3	76259	WELD ASSY-CRUMB CATCHER .....	1
4	89416	WELD ASSY-FILTER WEIGHT .....	1
5	89420	FILTER-SECTION .....	1
6	89014	WELD ASSY-WIDE DRAIN PAN .....	1
7	52487	CASTER - FILTER PAN .....	4
8	85397	ADAPTOR - PUMP TO PICKUP TUBE.....	1
A 9	85401	O-RING-PICKUP TUBE.....	3
10	**	SPECIAL PLEATED FILTER .....	1
		** (Ordered through Wendy's supplier)	
11	83790	Bracket - Accessory Holder .....	1
12	83791	Holder - Accessory.....	1
B 13	12116	BRUSH - FRYER - LONG HANDLE .....	1
B 14	12112	BRUSH - STRAIGHT WHITE .....	1
B 15	12126	BRUSH - BLACK L.....	1

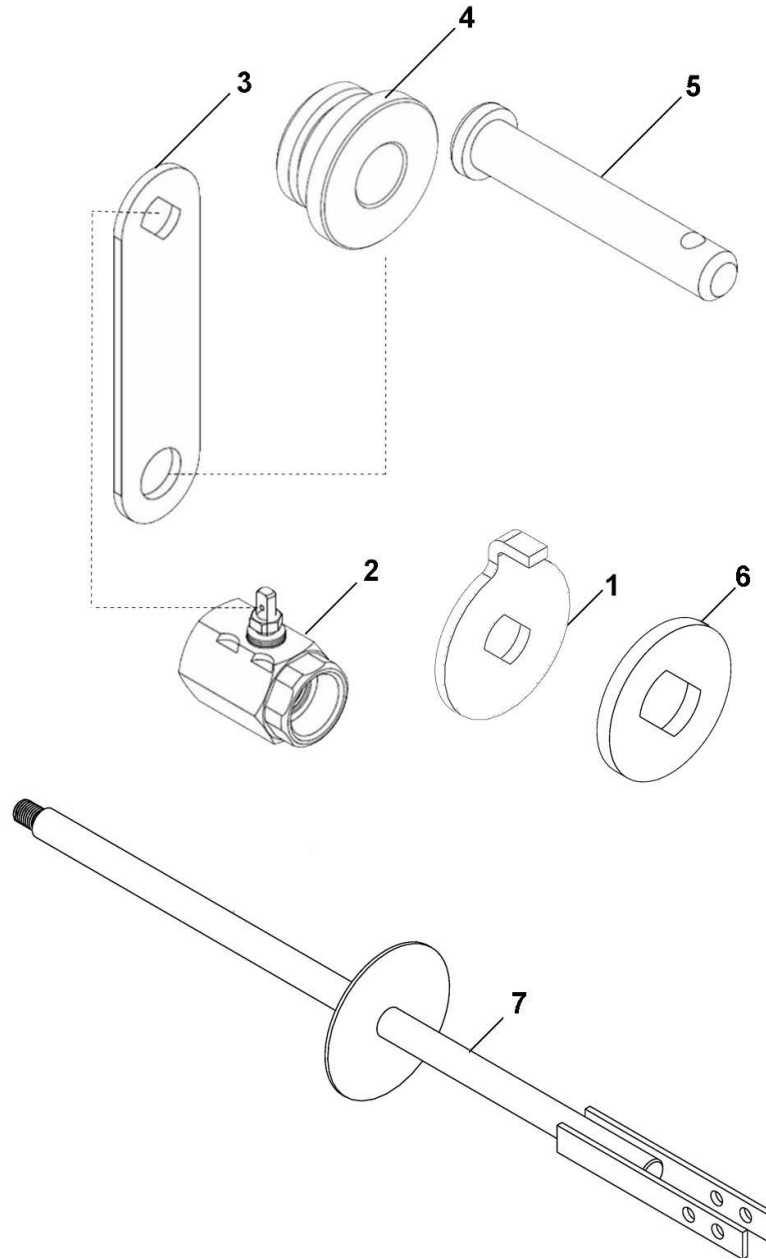
Recommend Parts: A=Truck Stock/B=Dist. Stock



**BIB System**

Item No.	Part No.	Description	Quantity
B 1	86295	ASSY-BIB TUBE & QUICK DISC .....	1
2	85966	WELD ASSY - JIB SHELF .....	1
B 3	81513	ASSY - HOSE .....	1

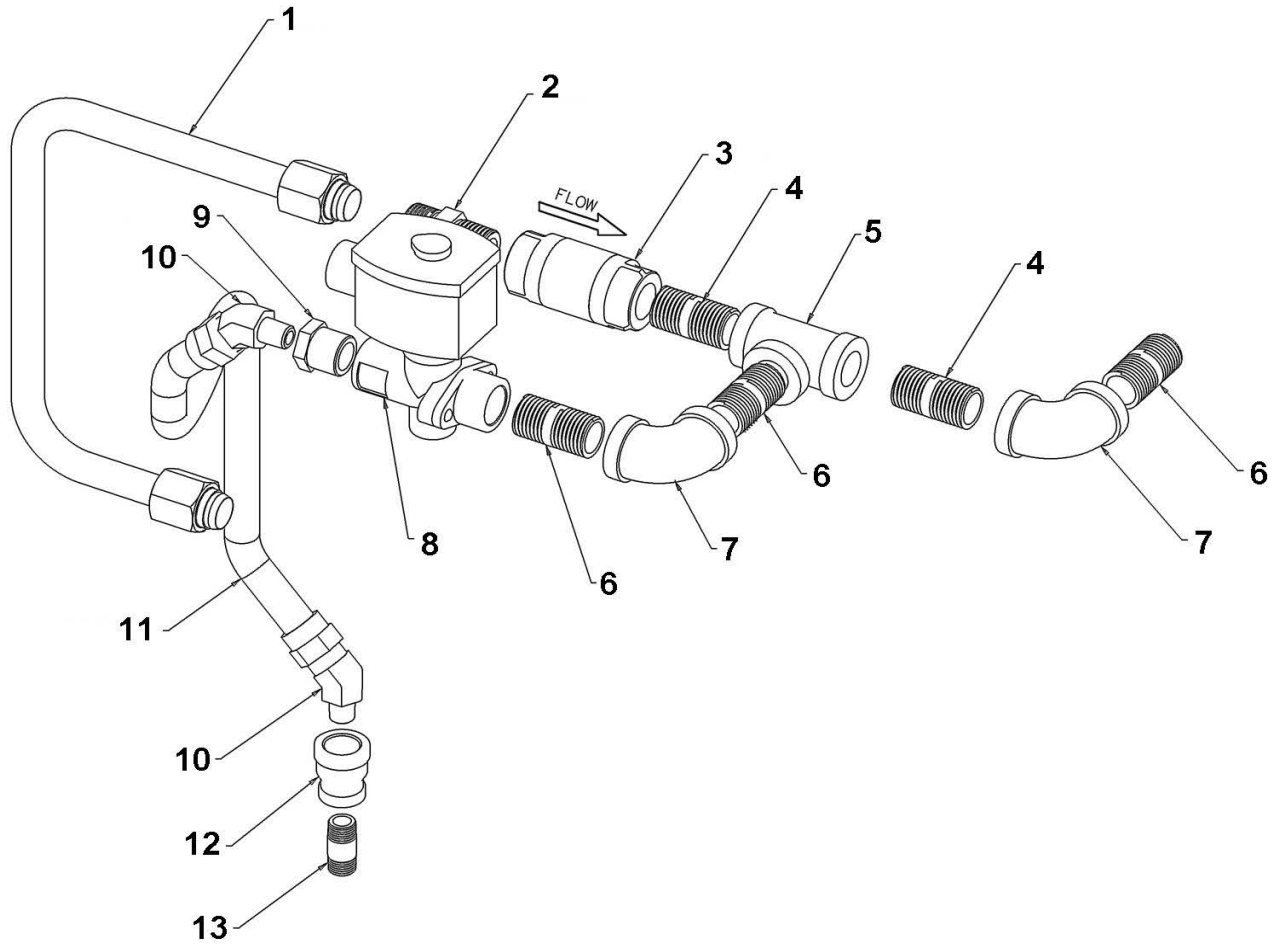
Recommend Parts: A=Truck Stock/B=Dist. Stock



**Drain Valve Linkage Parts**

Item No.	Part No.	Description	Quantity
1	74626	STOP - PIVOT LINKAGE.....	1/vat
B 2	79590	VALVE-DRAIN 1.250 PORT W/O HDL .....	1/vat
A 3	73994	HANDLE - PIVOT - DRAIN.....	1/vat
4	74568	PIVOT - BUSHING - ACTUATOR.....	1/vat
B 5	PN01-012	PIN - CLEVIS - 1/4 x 1 IN SS.....	1/vat
6	74571	SPACER - PIVOT DRAIN HANDLE.....	1/vat
7	81183	ASSY - DRAIN EXTENSION ROD.....	1/vat
8	PN01-001	PIN - COTTER (not shown).....	1/vat

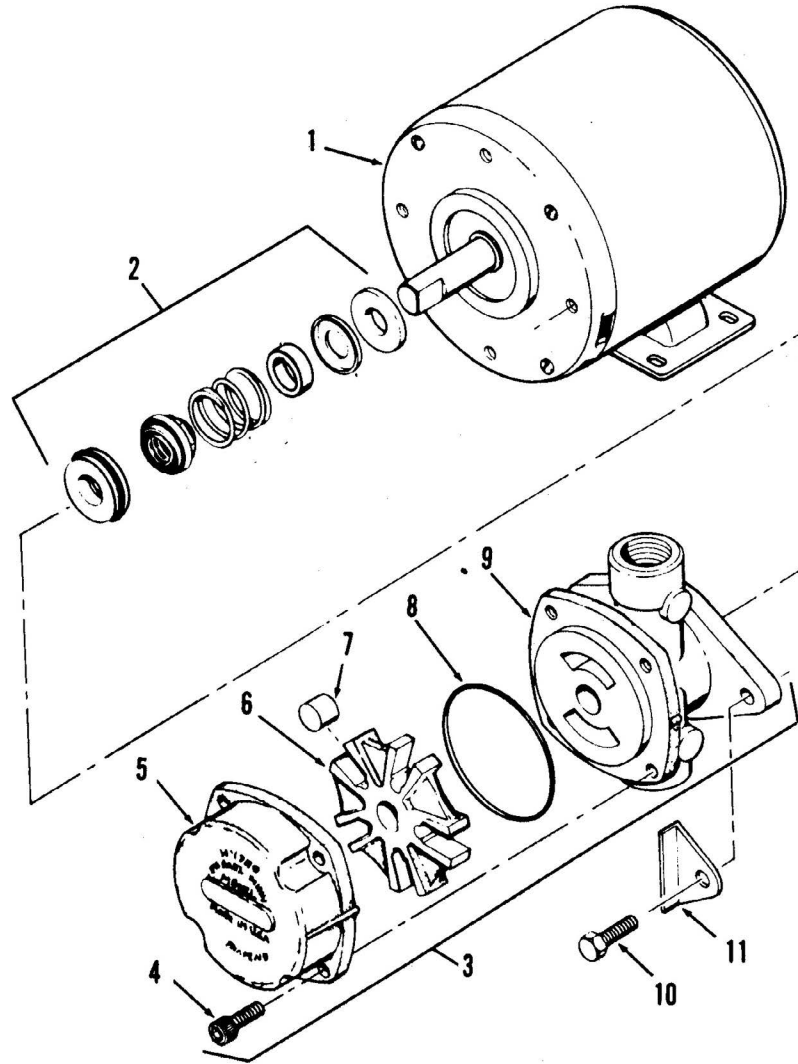
Recommend Parts: A=Truck Stock/B=Dist. Stock



### Filter Return Line Assembly

Item No.	Part No.	Description	Quantity
1	80758	ASSY - RETURN LINE .....	1
2	16807	FITTING - CONNECTOR MALE .....	1
A 3	74469	VALVE - 1/2 CHECK .....	1
4	FP01-028	NIPPLE - CLOSE - 1/2 NPT - SS - 1 LG .....	2
5	FP01-112	1/2 NPT FEMALE PIPE TEE BI .....	1
6	FP01-035	NIPPLE -1/2 NPT - SS - 1-1/2 LG .....	3
7	FP01-096	ELBOW - 1/2 X 1/2 FEMALE SS .....	2
A 8	74582	VALVE - SOLENOID 220-240V - 1/2N .....	1
9	FP01-029	REDUCER - 1/2 NPT M-3/8 NPT F SS .....	1
10	FP01-240	ELBOW - 45 DEG 3/8 NPT 45 FLARE .....	2
11	77523-011	TUBE-SUCTION DORMONT 10.00 .....	1
12	FP01-234	REDUCER - 3/8 F TO 1/4 F BI .....	1
13	56636	PIPE NIPPLE - 1/4 NPT X 1.125 .....	1

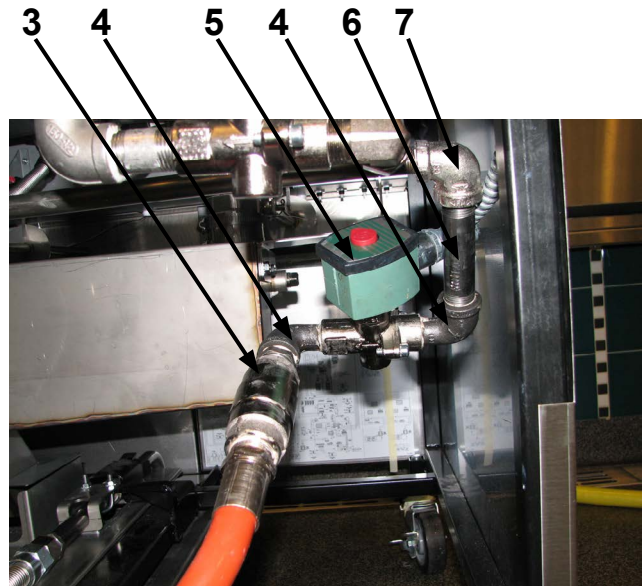
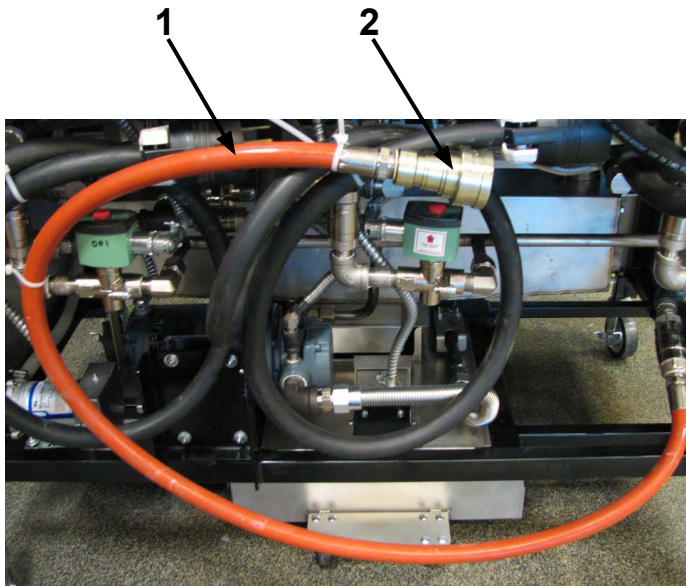
Recommend Parts: A=Truck Stock/B=Dist. Stock



**Filter Motor and Pump**

Item No.	Part No.	Description	Quantity
A 1	67583	MOTOR, 1/2 HP - 50/60 Hz .....	1
A 2	17476	SEAL KIT .....	1
B 3	64218	PUMP - FILTER - 8 GPM .....	1
4	SC01-132	SCREW, Pump Cover .....	1
5	23470	CAP - 8 GPM PUMP .....	1
B 6	23468	ROTOR - 8 GPM PUMP .....	1
A 7	23469	ROLLER - 8 GPM PUMP .....	5
A 8	17453	O-RING.....	1
9	23467	BODY - 8 GPM PUMP.....	1
10	17456	SHIELD, Pump.....	2
11	SC01-026	SCREW, Pump Shield.....	1

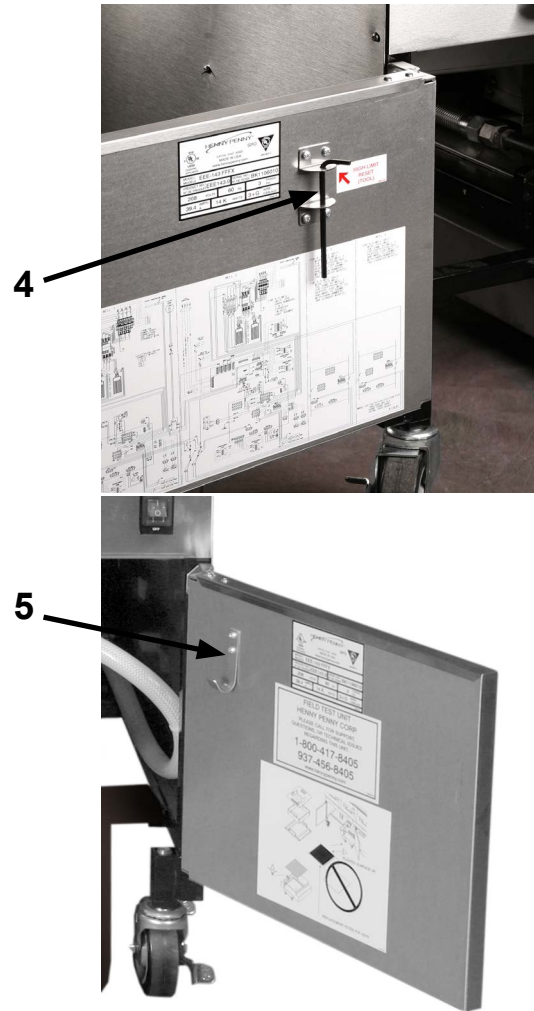
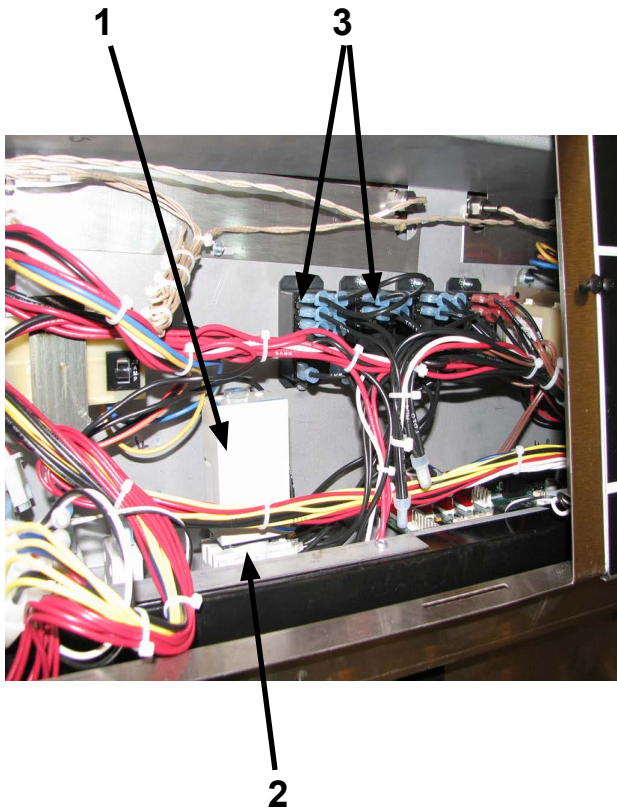
Recommend Parts: A=Truck Stock/B=Dist. Stock



**Bulk Dispose**

Item No.	Part No.	Description	Quantity
*	140053	KIT - EEE BULK DISPOSE RETROFIT .....	1
B 1	67662	ASSY - DIRECT CONNECT HOSE .....	1
B 2	21612	DISCONNECT - FEMALE .....	1
B 3	21800	VALVE - 3/4 CHECK .....	1
4	FP01-088	ELBOW - STREET 1/2 X 90 BI .....	2
A 5	74582	VALVE - 220-240V - SOLENOID - 1/2 NPT .....	1
6	FP02-052	NIPPLE - 1/2 X 4 LG BI .....	1
7	FP01-001	ELBOW - REDUCING 1/2 TO 3/8 .....	1
B 8	21611	DISCONNECT - MALE (not shown) .....	1

Recommend Parts: A=Truck Stock/B=Dist. Stock



**Automatic Power Switching Components, High Limit Tool & PM Card Hook - EEE-15X**

Item No.	Part No.	Description	Quantity
B 1	92982	RELAY-DELAY TIMER 24-240VAC .....	1
2	92983	RELAY-BASE SOCKET .....	1
B 3	91727	RELAY-POWER DPDT 240VAC .....	2
A 4	12149	TOOL - HIGH LIMIT (ALLEN WRENCH-5/32) .....	1
5	91711	HOOK-CARD HOLDER WENDYS .....	1

Recommend Parts: A=Truck Stock/B=Dist. Stock