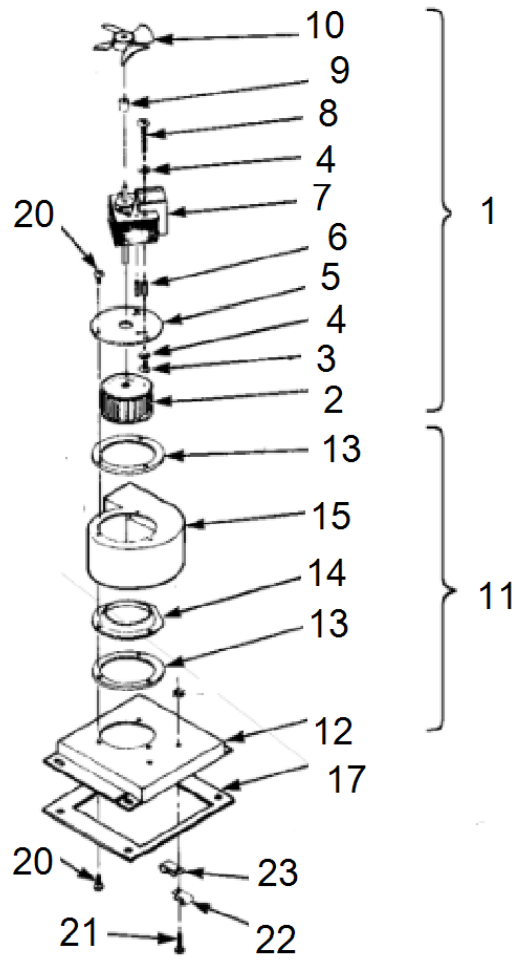




For the most up-to-date parts information, visit
<https://parts.hennypennyhelp.com>.

Blower Assembly





For the most up-to-date parts information, visit
<https://parts.hennypennyhelp.com>.

Domestic

Item No.	Part No.	Description	Qty. per Door			Stocking Level
			900	903	904	
1	25753	Blower motor assembly, 120 VAC	2	2	2	B
2	-25621	-Wheel, blower, standard	2	2	2	
3	-SC01-023	-Screw, #6-32 x 1/4 in.	8	8	8	
4	-LW02-010	-Lockwasher, internal #6	8	8	8	
5	-37157	-Blower plate	2	2	2	
6	-81606	-Motor spacer	8	8	8	
7	-182498-001	-Blower motor service pack, 120 VAC	2	2	2	A
8	-SC01-091	-Screw, #6-32 x 1-5/8 in.	4	4	4	
9	-25768	-Fan blade spacer, 0.265 in. (6.75 mm) ID	2	2	2	
9	-ME50-097	-Fan blade spacer, 0.257 in. (6.53 mm) ID	2	2	2	
10	-25706	-Cooling fan	2	2	2	B
17	25627	Blower box gasket	2	2	2	
18*	25619	Blower outlet gasket	2	2	2	
19*	25618	Blower outlet gasket retainer	2	2	2	
20	SC02-035	Screw, #10 x 1/2 in., AB, PH, PHD, SS	2	2	2	



For the most up-to-date parts information, visit
<https://parts.hennypennyhelp.com>.

Item No.	Part No.	Description	Qty. per Door			Stocking Level
			900	903	904	
21	SC01-055	Screw, #10-32 x 3/4 in., hex	2	2	2	
22	EF02-031	Clamp, 1/4 x 3/8	2	2	2	
23	EF02-033	Clamp, 7/16 x 3/8	2	2	2	
Blower Box Assembly						
11	25872	Blower box assembly	1 or 2	1 or 2	1 or 2	
12	-25616	-Blower box	1	1	1	
13	-25698	-Blower plate gasket	2	2	2	
14	-25622	-Inlet flange	1	1	1	
15	-25623	-Blower housing	1	1	1	
Blower Box Assembly Rear (units with rear vent)						
11	25941	Blower box assembly, rear (for units with rear vent)	1	1	1	
12	-25924	-Blower box rear	1	1	1	
13	-25698	-Blower plate gasket	2	2	2	
14	-25622	-Inlet flange	1	1	1	
15	-25623	-Blower housing	1	1	1	



For the most up-to-date parts information, visit
<https://parts.hennypennyhelp.com>.

Item No.	Part No.	Description	Qty. per Door			Stocking Level
			900	903	904	
16*	-25942	-Hose coupling	1	1	1	
Recommended Parts: A = Truck Stock; B = Dist. Stock * = Not Shown						

International

Item No.	Part No.	Description	Qty. per Door			Stocking Level
			900	903	904	
1	14249	Blower motor assembly, 240 VAC	2	2	2	B
2	-52240	-Blower wheel, international	2	2	2	
3	-SC01-023	-Screw, #6-32 x 1/4 in.	8	8	8	
4	-LW02-010	-Lockwasher, internal #6	8	8	8	
5	-37157	-Blower plate	2	2	2	
6	-81606	-Motor spacer	8	8	8	
7	-182498-002	-Blower motor service pack, 240 VAC	2	2	2	A
8	-SC01-091	-Screw, #6-32 x 1-5/8 in.	4	4	4	
9	-25768	-Fan blade spacer, 0.265 in. (6.75 mm) ID	2	2	2	



For the most up-to-date parts information, visit
<https://parts.hennypennyhelp.com>.

Item No.	Part No.	Description	Qty. per Door			Stocking Level
			900	903	904	
9	-ME50-097	-Fan blade spacer, 0.257 in. (6.53 mm) ID	2	2	2	
10	-25706	-Cooling fan	2	2	2	B
17	25627	Blower box gasket	2	2	2	
18*	25619	Blower outlet gasket	2	2	2	
19*	25618	Blower outlet gasket retainer	2	2	2	
20	SC02-035	Screw, #10 x 1/2 in., AB, PH, PHD, SS	2	2	2	
21	SC01-055	Screw, #10-32 x 3/4 in., hex	2	2	2	
22	EF02-031	Clamp, 1/4 x 3/8	2	2	2	
23	EF02-033	Clamp, 7/16 x 3/8	2	2	2	
Blower Box Assembly						
11	25872	Blower box assembly	1 or 2	1 or 2	1 or 2	
12	-25616	-Blower box	1	1	1	
13	-25698	-Blower plate gasket	2	2	2	
14	-25622	-Inlet flange	1	1	1	
15	-25623	-Blower housing	1	1	1	



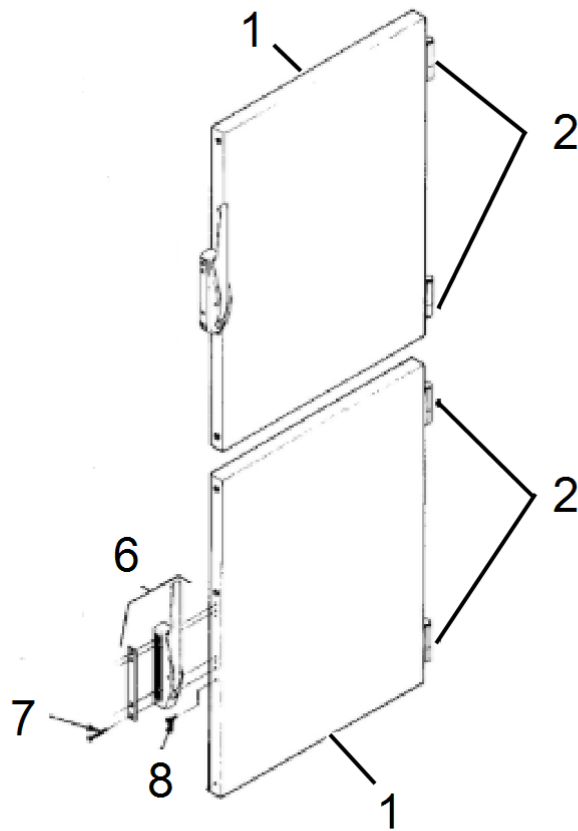
For the most up-to-date parts information, visit
<https://parts.hennypennyhelp.com>.

Item No.	Part No.	Description	Qty. per Door			Stocking Level
			900	903	904	
Blower Box Assembly Rear (units with rear vent)						
11	25941	Blower box assembly, rear (for units with rear vent)	1	1	1	
12	-25924	-Blower box rear	1	1	1	
13	-25698	-Blower plate gasket	2	2	2	
14	-25622	-Inlet flange	1	1	1	
15	-25623	-Blower housing	1	1	1	
16*	-25942	-Hose coupling	1	1	1	
Blower Box Assembly - China						
11	72915	Blower box assembly, China	2	-	-	
12	-72914	-Blower box, China	2	-	-	
13	-25698	-Blower plate gasket	2	-	-	
14	-25622	-Inlet flange	1	-	-	
15	-25623	-Blower housing	1	-	-	
Recommended Parts: A = Truck Stock; B = Dist. Stock * = Not Shown						



For the most up-to-date parts information, visit
<https://parts.hennypennyhelp.com>.

Doors





For the most up-to-date parts information, visit
<https://parts.hennypennyhelp.com>.

Item No.	Part No.	Description	Qty. per Door			Stocking Level
			900	903	904	
1	28816	Door assembly, right hinge, top	1			
1	28817	Door assembly, right hinge, bottom	1			
1	28818	Door assembly, left hinge, top	1			
1	28819	Door assembly, left hinge, bottom	1			
1	59257	Glass door assembly, left hinge, top	1			
1	59258	Glass door assembly, left hinge, bottom	1			
1	59260	Glass door assembly, right hinge, top	1			
1	59261	Glass door assembly, right hinge, bottom	1			
1	27033	Door assembly, right hinge		1		
1	27034	Door assembly, left hinge		1		
1	54352	Glass door assembly, right hinge		1		
1	54353	Glass door assembly, left hinge		1		
1	77741	Door assembly, right hinge			1	
1	83742	Door assembly, left hinge			1	
2	14271	Hinge kit	1/door	1/door	1/door	B
3*	-27146	-Hinge pin cover, chrome	A/R	A/R	A/R	



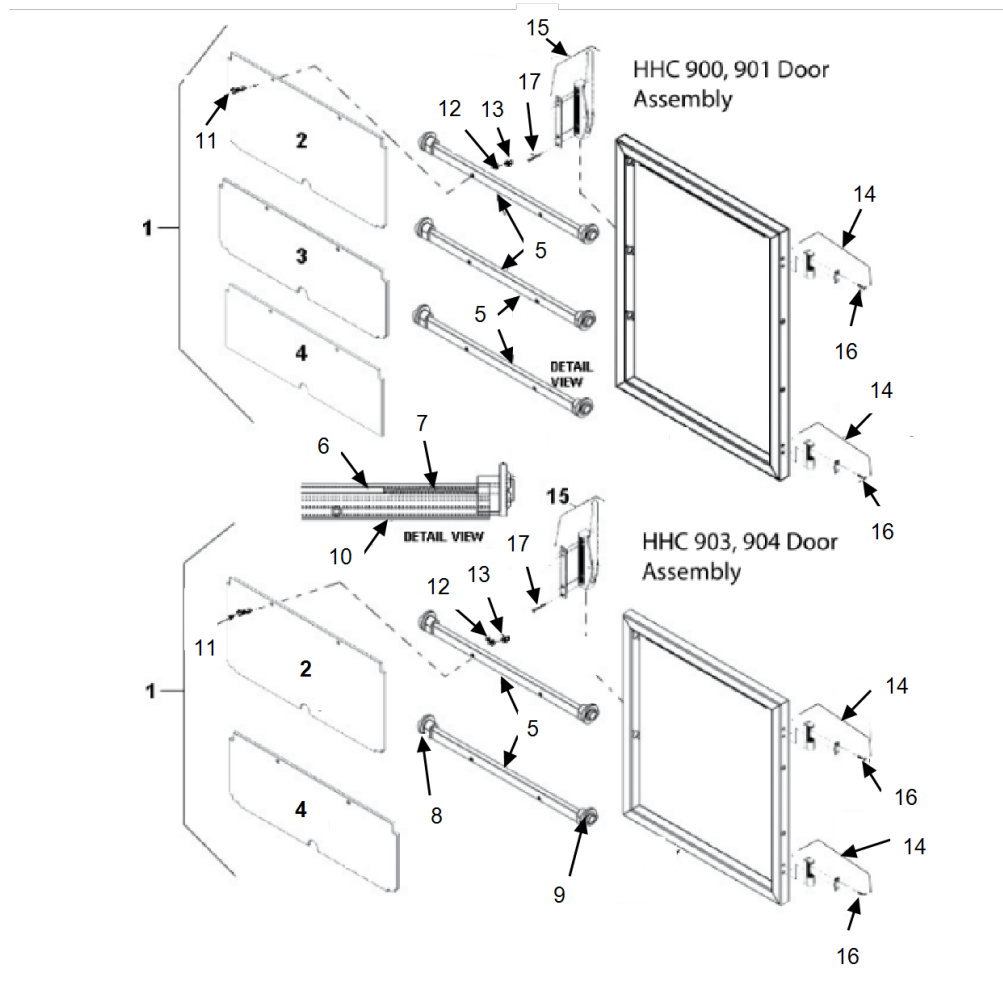
For the most up-to-date parts information, visit
<https://parts.hennypennyhelp.com>.

Item No.	Part No.	Description	Qty. per Door			Stocking Level
			900	903	904	
4*	-SC01-086	-Screw, #10-32 x 1 in.	A/R	A/R	A/R	
5*	-SC01-225	-Screw, #10-32 x 3/4 in.	A/R	A/R	A/R	
6	14272	Door handle kit	1/door	1/door	1/door	B
7	-SC01-186	-Screw, #10-32 x 1-3/4 in.	A/R	A/R	A/R	
8	-SC01-074	-Screw, #10-32 x 1/2 in.	A/R	A/R	A/R	
Recommended Parts: A = Truck Stock; B = Dist. Stock * = Not Shown						



For the most up-to-date parts information, visit
<https://parts.hennypennyhelp.com>.

Flip Doors



Flip-Up Door Assemblies (HHC 903 - SN: DA0511040 & Above)
 HHC 903's (1/3-size) with SN: DA0511039 & below, SN required.
 HHC 900 (full-size) with SN: DA0511039 & below, no parts available.
 Complete door assembly must be ordered.



For the most up-to-date parts information, visit
<https://parts.hennypennyhelp.com>.

Item No.	Part No.	Description	Qty. per Door				Stocking Level
			900	901	903	904	
1	71309	Flip door assembly, right hinge	1	-	-	-	
1	71403	Flip door assembly, left hinge	1	-	-	-	
1	77742	Flip door assembly, right hinge	-	1	-	-	
1	81921	Flip door assembly, left hinge	-	1	-	-	
1	96764	Flip door assembly, right hinge (SN: DA0511040 & Above)	-	-	1	-	
1	96765	Flip door assembly, left hinge (SN: DA0511040 & Above)	-	-	1	-	
1	81927	Flip door assembly, right hinge	-	-	-	1	
1	79997	Flip door assembly, left hinge	-	-	-	1	
2	151982-004	Flip door panel, top, 9.56 in (24.3 cm) height	1	-	-	-	
2	152113-001	Flip door panel, top, 7.61 in (19.3 cm) height	-	1	-	-	



For the most up-to-date parts information, visit
<https://parts.hennypennyhelp.com>.

Item No.	Part No.	Description	Qty. per Door				Stocking Level
			900	901	903	904	
2	151982-006	Flip door panel, top, 11.09 in (28.2 cm) height	-	-	1	-	
2	152113-004	Flip door panel, top, 11.88 in (30.2 cm) height	-	-	-	1	
3	151982-003	Flip door panel, middle, 6.86 in (17.4 cm) height	1	-	-	-	
3	152113-002	Flip door panel, middle, 8.06 in (20.5 cm) height	-	1	-	-	
4	151982-005	Flip door panel, bottom, 6.74 in (17.1 cm) height	1	-	-	-	
4	152113-003	Flip door panel, bottom, 7.49 in (19.0 cm) height	-	1	-	-	
4	151982-007	Flip door panel, bottom, 8.11 in (20.6 cm) height	-	-	1	-	
4	152113-005	Flip door panel, bottom, 11.88 in (30.2 cm) height	-	-	-	1	
5	71308	Flip door panel hinge assembly	A/R	A/R	A/R	A/R	
6	-71067	-Flip door rod	A/R	A/R	A/R	A/R	
7	-71316	-Flip door spring	A/R	A/R	A/R	A/R	
8	-70768	-Flip door cam, right	A/R	A/R	A/R	A/R	
9	-70769	-Flip door cam, left	A/R	A/R	A/R	A/R	



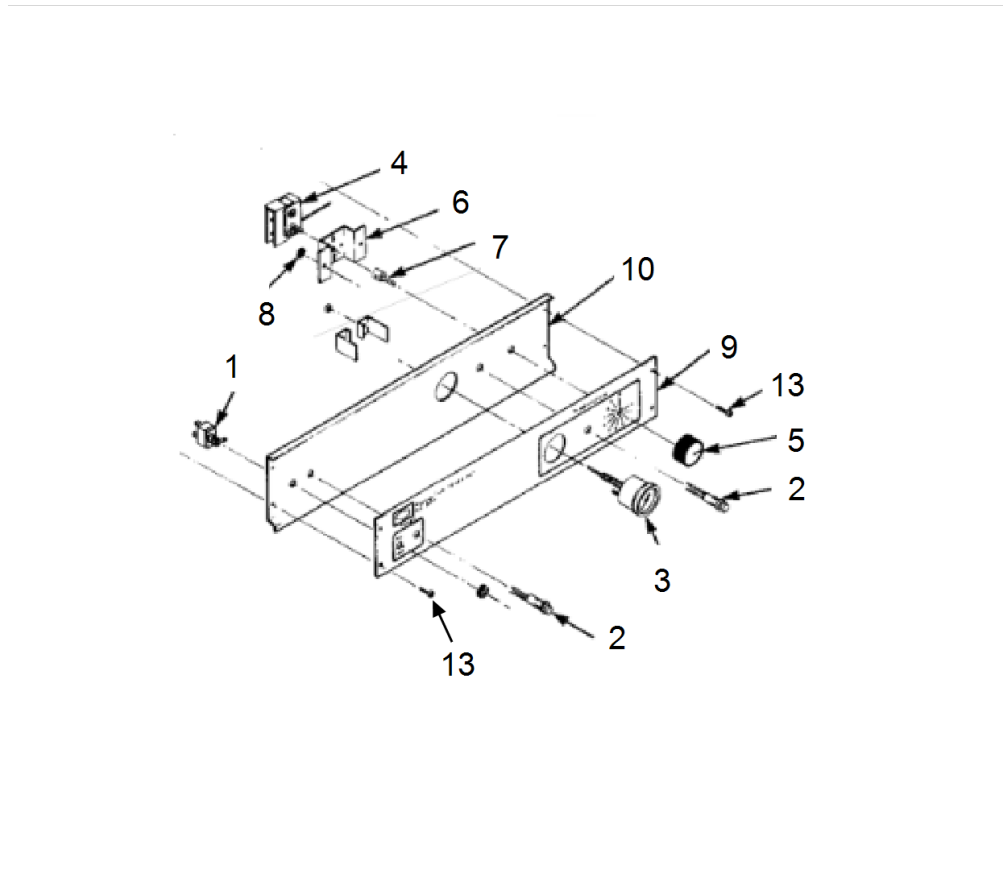
For the most up-to-date parts information, visit
<https://parts.hennypennyhelp.com>.

Item No.	Part No.	Description	Qty. per Door				Stocking Level
			900	901	903	904	
10	-73320	-Flip door extrusion	A/R	A/R	A/R	A/R	
11	SC01-032	Screw, #8-32 x 5/8 in	A/R	A/R	A/R	A/R	
12	LW02-006	Lockwasher, internal, #8	A/R	A/R	A/R	A/R	
13	NS03-024	Acorn nut, low crown, #8-32	A/R	A/R	A/R	A/R	
14	14271	Door hinge kit	1/door	1/door	1/door	1/door	B
15	14272	Door handle kit	1/door	1/door	1/door	1/door	B
16	SC01-086	Screw, #8-32 x 1 in	A/R	A/R	A/R	A/R	
17	SC01-186	Screw, #10-32 x 1-3/4 in, PH, FHD, SS	A/R	A/R	A/R	A/R	
Recommended Parts: A = Truck Stock; B = Dist. Stock * = Not Shown							



For the most up-to-date parts information, visit
<https://parts.hennypennyhelp.com>.

Controls



Electro-mechanical controls

Item No.	Part No.	Description	Qty. per Door			Stocking Level
			900	903	904	
1	14635	Power switch assembly	1	1	1	A
1	72277	Power switch, black rocker	1	1	1	A
1	52224	Power switch, covered, black rocker, CE	1	1	1	A
1	95230	Power switch, China	1	-	-	A



For the most up-to-date parts information, visit
<https://parts.hennypennyhelp.com>.

Item No.	Part No.	Description	Qty. per Door			Stocking Level
			900	903	904	
2	16624	Indicator light, red	2	2	2	B
2	54085	Indicator light, green, CE	2	2	2	B
3	14250	Thermometer kit	1	1	1	A
4	14209	Thermostat kit	1	1	1	A
5	25863	Thermostat knob	1	1	1	
6	25241	Thermostat mounting bracket	1	1	1	
7	25263	Thermostat extension shaft	1	1	1	
8	NS02-005	Hex nut, keps, #6-32	2	2	2	
9	25717	Control decal	1	1	1	
9	44024	Control decal, KFC	1	1	1	
9	34885	Control decal, vented, KFC, CE	1	1	1	
9	44023	Control decal, vented, KFC, UL	1	1	1	
9	25948	Control decal, vented	1	1	1	
9	49060	Control decal, CE, vented	1	1	1	
9	49038	Control decal, CE	1	1	1	
9	49086	Control decal, CE, KFC	1	1	1	
10	25786	Control panel weld assembly	1	1	1	
10	25999	Control panel weld assembly, vented	1	1	1	
10	49054	Control panel weld assembly CE	1	-	-	



For the most up-to-date parts information, visit
<https://parts.hennypennyhelp.com>.

Item No.	Part No.	Description	Qty. per Door			Stocking Level
			900	903	904	
11*	38429	Vent control arm	1	1	1	
12*	38367	Vent control knob	1	1	1	
13	SC02-030	Screw, #8-B x 3/8 in, PH, THD, black	4	4	4	
Recommended Parts: A = Truck Stock; B = Dist. Stock * = Not Shown						

Controls CDT

Item No.	Part No.	Description	Qty. per Door				Stocking Level
			900	901	903	904	
9	30950	Control decal, 13 CDT, GM (SN: GV083IE - DA1005052)	1	-	-	-	
9	85249	Control decal, 13 CDT, GM (SN: DA1005053 & Above)	1	-	-	-	
9	33874	Control decal, 13 CDT, vented, KFC (SN: GV083IE - DA1005052)	1	-	-	-	
9	85248	Control decal, 13 CDT, vented, KFC (SN: DA1005053 & Above)	1	-	-	-	
9	37289	Control decal, 13 CDT, vented, GM (SN: GV083IE - DA1005052)	1	-	-	-	
9	85247	Control decal, 13 CDT, vented, GM (SN: DA1005053 & Above)	1	-	-	-	



For the most up-to-date parts information, visit
<https://parts.hennypennyhelp.com>.

Item No.	Part No.	Description	Qty. per Door				Stocking Level
			900	901	903	904	
9	43952	Control decal, 13 CDT, KFC (SN: GV083IE - DA1005052)	1	-	-	-	
9	85250	Control decal, 13 CDT, KFC (SN: DA1005053 & Above)	1	-	-	-	
9	52347	Control decal, 5 CDT, GM (SN: GV083IE - DA1005052)	-	-	1	-	
9	85251	Control decal, 5 CDT, GM (SN: DA1005053 & Above)	-	-	1	-	
9	85252	Control decal, 5 CDT, vented, KFC (SN: DA1005053 & Above)	-	-	1	-	
9	81960	Control decal, 6 CDT, 904	-	-	-	1	
9	79500	Control decal, 13 CDT, 901	-	1	-	-	
9	31901	Control decal, 6 CDT, vented, GM	-	-	1	-	
9	31931	Control decal, 6 CDT, GM	-	-	1	-	
9	54511	Control decal, Boston Market	1	-	-	-	
9	69894	Control decal, Simple Hold	1	-	-	1	
9	79906	Rear panel control decal, 13 CDT	-	1	-	-	
9	81963	Rear panel control decal, 6 CDT	-	-	-	1	
10	37395	Control panel weld assembly, 6 CDT	-	-	1	-	



For the most up-to-date parts information, visit
<https://parts.hennypennyhelp.com>.

Item No.	Part No.	Description	Qty. per Door				Stocking Level
			900	901	903	904	
10	37285	Control panel weld assembly, 13 CDT, vented	1	-	-	-	
10	30951	Control panel weld assembly, 13 CDT	1	-	-	-	
10	69856	Control panel weld assembly, Simple Hold	1	-	-	1	
14*	83758	Control PCB, 3 digit, 13 CDT (SN: DA1005053 and above)	1	1	1	1	A
14*	140115	Control PCB kit, 3 digit, 13 CDT (SN: GV083IE - DA1005052)	1	1	1	-	A
14*	83759	Control PCB, 3 digit, 6 CDT	-	-	-	1	
14*	83760	Control PCB, 3 digit, 5 CDT (SN: DA1005053 and above)	-	-	1	-	A
14*	140116	Control PCB kit, 3 digit, 5 CDT (SN: GV083IE - DA1005052)	-	-	1	-	A
14*	54571	Control PCB, Boston Market	1	-	-	-	A
14*	69843	Control PCB, Simple Hold	1	-	-	1	A
15*	56166	Temperature probe assembly	1	1	1	1	A
15*	54577	Temperature sensor assembly, Boston Market	1	-	-	-	A
15*	29523	Temperature probe assembly	1	-	-	1	A



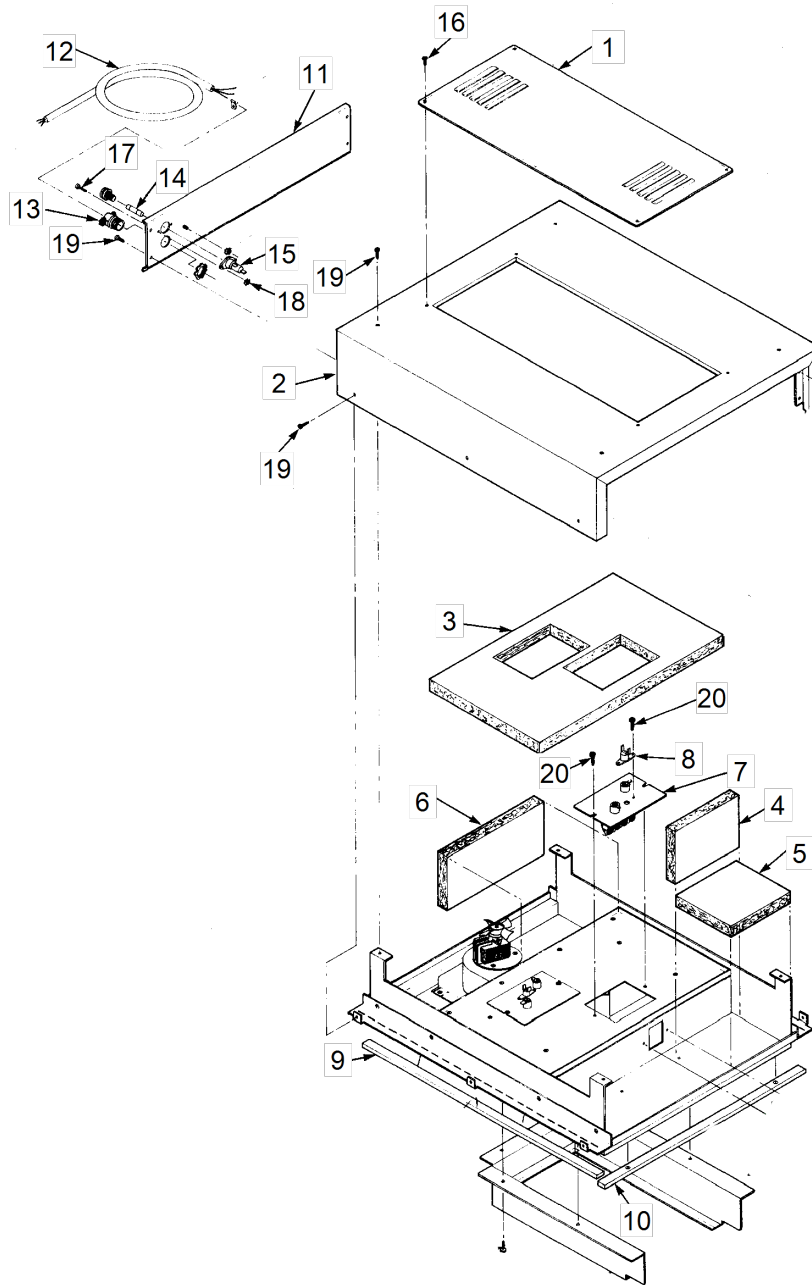
For the most up-to-date parts information, visit
<https://parts.hennypennyhelp.com>.

Item No.	Part No.	Description	Qty. per Door				Stocking Level
			900	901	903	904	
16*	ME90-003	Relay, 12V coil, 20 amp, 240 VAC	1	1	1	1	A
16*	ME90-009	Relay, 240 VAC coil, 30 amp	1	1	1	1	A
16*	40645	Relay, solid state, 25 amp Boston Market / Simple Hold	1	-	-	-	A
17*	30978	Transformer, 120 VAC	1	1	1	1	A
17*	28979	Transformer, 240 VAC	1	1	1	1	A
Recommended Parts: A = Truck Stock; B = Dist. Stock * = Not Shown							



For the most up-to-date parts information, visit
<https://parts.hennypennyhelp.com>.

Control Module Assembly





For the most up-to-date parts information, visit
<https://parts.hennypennyhelp.com>.

Item No.	Part No.	Description	Qty. per Door			Stocking Level
			900	903	904	
-	-	see Controls	-	-	-	
-	-	see Blower Assembly	-	-	-	
1	25704	Access panel	1	1	-	
1	51209	Access panel CE	1	1	-	
1	72312	Access panel, China	1	-	-	
2	44625	Top enclosure	1	1	-	
2	72305	Top enclosure, China, EM	1	-	-	
2	84607	Top enclosure, China, CDT	1	-	-	
3	26225	Insulation cover	1	1	-	
4	25734	Insulation, 5 x 7 x 1	2	2	-	
5	25733	Insulation, 6 x 6.5 x 1	4	4	-	
6	25735	Insulation, 5 x 10.5 x 1	2	2	-	
7	51279	Heating element, 120 VAC, 1000W	2	2	2	A
7	74870	Heating element, 100 VAC, 1000W	2	-	-	A
7	67627	Heating element, 240 VAC, 1500W	2	2	-	A
7	51278	Heating element, 120 VAC, 750W	2	2	2	A
8	18201	High limit sensor	2	2	2	A
8	59272	High limit sensor CE	2	2	2	A
9	25620	Seal, 25.25 inch	2	2	2	
10	25624	Seal, 21.625 inch	2	2	2	



For the most up-to-date parts information, visit
<https://parts.hennypennyhelp.com>.

Item No.	Part No.	Description	Qty. per Door			Stocking Level
			900	903	904	
11	48993	Rear panel, 208/240 VAC	1	-	-	
11	71092	Rear panel, 120 VAC	1	-	-	
11	72404	Rear panel, China	1	-	-	
12	67390-001	Power cord assembly, twist lock, 120 VAC, 20 A, 8 ft.	1	1	1	
12	67390-002	Power cord assembly, twist lock, 120 VAC, 20 A, 10 ft.	1	1	1	
12	67472	Power cord assembly, 120 VAC, 20 A, 8 ft.	1	1	1	
12	169100	Power cord assembly, 120 VAC, 30 A, 8 ft.	1	1	1	
12	71120	Power cord assembly, 120 VAC, 30 A, right angle, 8 ft.	1	-	-	
12	68413	Power cord assembly, 208-240 VAC, 20 A, 8 ft.	1	1	-	
12	44857	Power cord assembly, CE, 1.0 mm, 8 ft. (244 cm)	1	1	-	
12	71384	Power cord assembly, CE, 1.5 mm, 8ft. (244 cm)	1	1	-	
12	31584	Power cord assembly, HHC 900CDT	1	1	1	
12	71384	Power cord assembly, 240 VAC, HHC 900EM	1	1	-	
12	175732	Power cord assembly, China, 1.5 mm, 8 ft. (244 cm)	1	-	-	



For the most up-to-date parts information, visit
<https://parts.hennypennyhelp.com>.

Item No.	Part No.	Description	Qty. per Door			Stocking Level
			900	903	904	
	175734	Power cord assembly, China, 1.5 mm, 9 ft. (274 cm)				
13	EF02-124	Cable connector, 3/4	1	1	1	
14	EP02-007	Fuse, 15 amp	1	1	1	A
15	EP02-006	Fuse holder	1	1	1	A
16	SC01-053	Screw, #8-32 x 1/2 (Access panel screw)	4	4	4	
17	SC01-010	Screw, #6-32 x 112 (Fuse holder screw)	2	2	2	
18	NS02-005	Hex keps nut, #6-32 (Fuse holder nut)	2	2	2	
19	SC02-023	Screw, #8-B x 3/8, PH, PAN	15	15	15	
20	SC02-041	TORX screw, external, #8-18 x 7/16	18	18	18	
Recommended Parts: A = Truck Stock; B = Dist. Stock * = Not Shown						



For the most up-to-date parts information, visit
<https://parts.hennypennyhelp.com>.

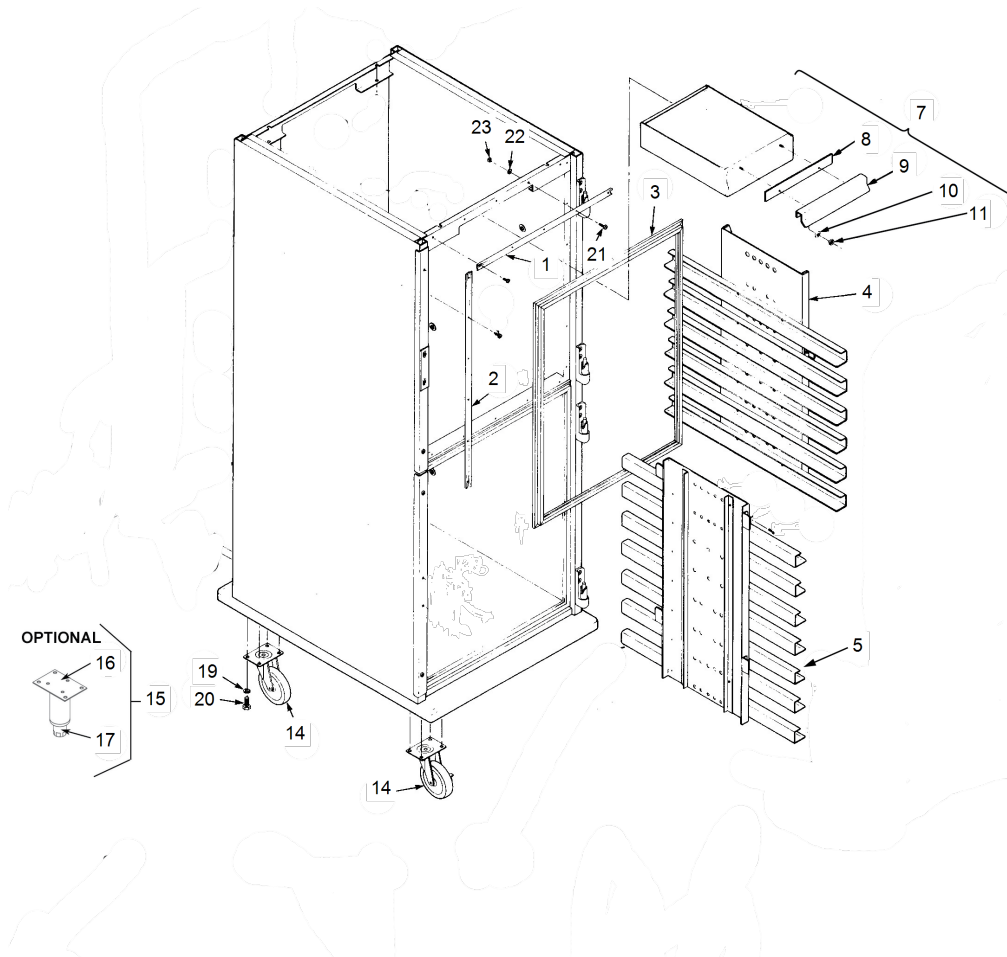
Vented Control Module

Item No.	Part No.	Description	Qty. per Door			Stocking Level
			900	903	904	
11	48990	Rear panel assembly, full, 900	1	-	-	
11	25944	Rear panel assembly, 1/3 size, 903 (SN: DA0506014 & below)	-	1	-	
11	68859	Rear panel assembly, 1/3 size, 903 (SN: DA0506015 & above)	-	1	-	
*	28155	Vent control cable, E/M	1	1	-	
*	25950	Vent control cable, CDT	1	1	-	
*	25964	Intake hose, 5.250 inch	1	1	-	
*	25963	Exhaust hose, 6.750 inch	1	1	-	
*	25977	Hose clamp	4	4	-	
*	25942	Hose coupling	4	4	-	
*	68574	Vent slide spacer (SN: DA0506015 & above)	1	1	1	
*	27828	Vent slide, back (SN: DA0506014 & below)	1	1	1	
*	25919	Vent slide (SN: DA0506014 & below)	1	1	1	
*	68573	Vent slide (SN: DA0506015 & above)	1	1	1	
Recommended Parts: A = Truck Stock; B = Dist. Stock * = Not Shown						



For the most up-to-date parts information, visit
<https://parts.hennypennyhelp.com>.

Cabinet Assembly



Item No.	Part No.	Description	Qty. per Door			Stocking Level
			900	903	904	
1	25687	Retainer, 20 inch	8	4	-	
2	25689	Retainer, 27.5 inch	8	-	-	
2	25690	Retainer, 22.25 inch	-	4		
3	25643	Door gasket	4	-	-	B



For the most up-to-date parts information, visit
<https://parts.hennypennyhelp.com>.

Item No.	Part No.	Description	Qty. per Door			Stocking Level
			900	903	904	
3	25793	Door gasket	-	2	-	B
3	77768	Door gasket	-	-	2	B
4	27895	Air duct, upper, 3.75 in. spacing	2	-	-	
4	52345	Air duct, upper, 3.25 in. spacing (15 tray)	2	-	-	
5	27811	Air duct, lower, 3.75 in. spacing	2	-	-	
5	52346	Air duct, lower, 3.25 in. spacing (15 tray)	2	-	-	
6*	25957	Air duct	-	2	-	
6*	70387	Air duct (for 903 units with flip doors)	-	2	-	
6*	70032	Air duct, Pollo Campero	-	2	-	
6*	153675	Air duct, KFC Australia	-	2	-	
6*	80044	Air duct	-	-	2	
7	25879	Water box assembly complete	1	1	1	B
8	-25646	-Wiper for water box	1	1	1	
9	-25685	-Handle for water box	1	1	1	
10	-LW02-005	-Lockwasher, internal #10	A/R	A/R	A/R	
11	-NS03-030	-Acorn nut, #10-32	A/R	A/R	A/R	



For the most up-to-date parts information, visit
<https://parts.hennypennyhelp.com>.

Item No.	Part No.	Description	Qty. per Door			Stocking Level
			900	903	904	
12*	71478	Water box assembly complete (for 903s w/ flip doors)	-	1	-	B
13*	25670	Water box cradle	1	1	1	
14	27155	Caster, 5 in. swivel	2	2	-	
14	27154	Caster, 5 in. swivel, w/ brake	2	2	-	
14	18645	Caster, 2.5 in. swivel	2	2	-	
14	18646	Caster, 2.5 in. swivel, w/ brake	2	2	-	
14	68804	Caster, 5 in. swivel CE	2	2	-	
14	68803	Caster, 5 in. swivel, w/ brake CE	2	2	-	
14	19904	Caster, 2 in. swivel	-	4	-	
15	14647	Kit-4 inch leg (set of 4 legs)	-	A/R	-	
16	-68938	-4 in. adjustable leg	-	A/R	-	
17	-26120	-Adjustable foot	-	A/R	-	
18*	27149	Door stop	4	2	2	
19	LW01-002	Lockwasher, split, 1/4 in.	8	8	8	
20	SC01-104	Hex screw, 1/4-20 x 1-1/2 in.	8	8	8	
21	27944	Cap screw, #8	10	10	10	
22	LW02-006	Lockwasher, internal, #8	10	10	10	



For the most up-to-date parts information, visit
<https://parts.hennypennyhelp.com>.

Item No.	Part No.	Description	Qty. per Door			Stocking Level
			900	903	904	
23	NS01-008	Hex nut, #8-32	10	10	10	
24*	28207	Cover plate (only for no water pan option)	A/R	A/R	A/R	
Recommended Parts: A = Truck Stock; B = Dist. Stock * = Not Shown						