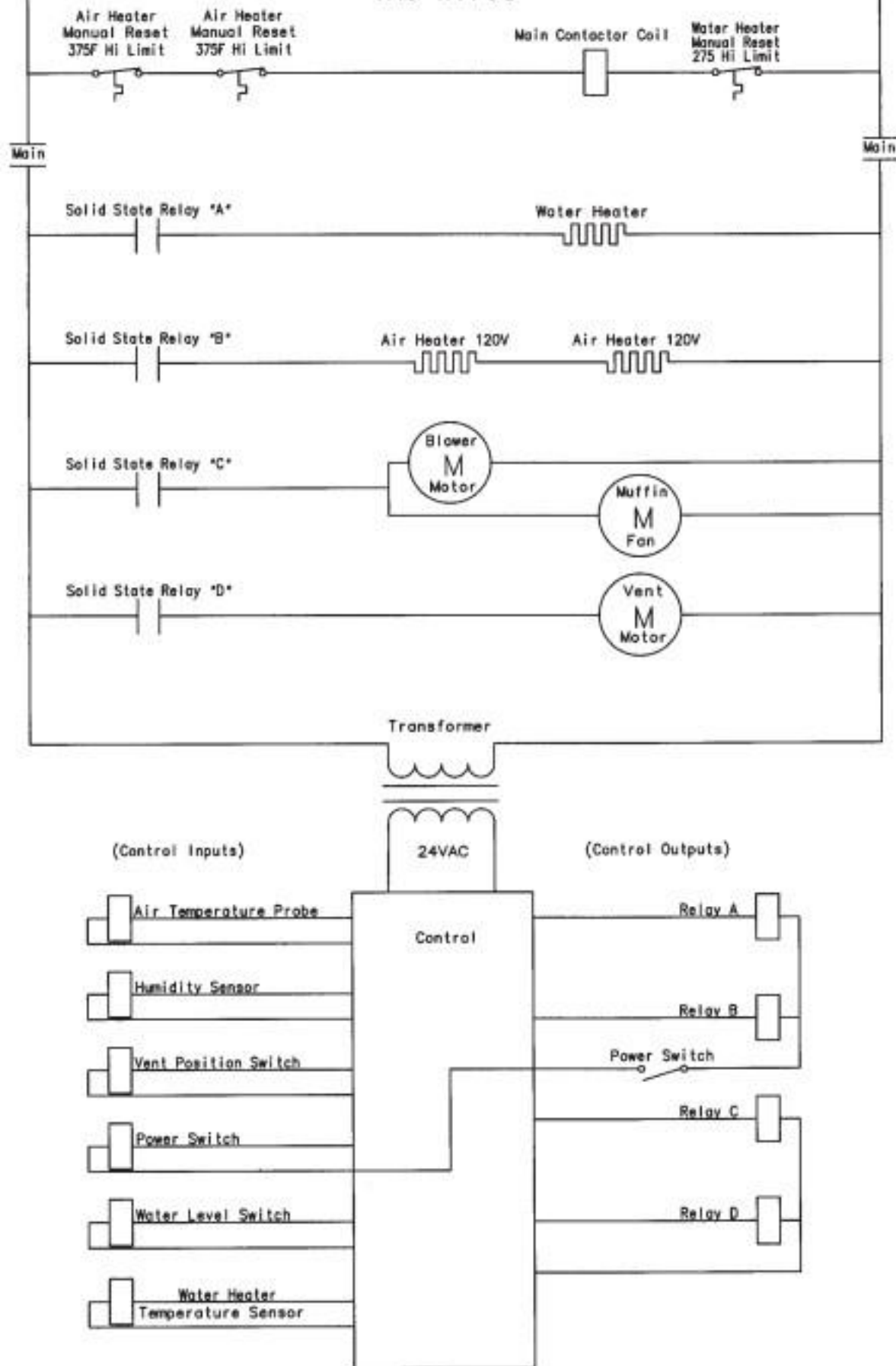
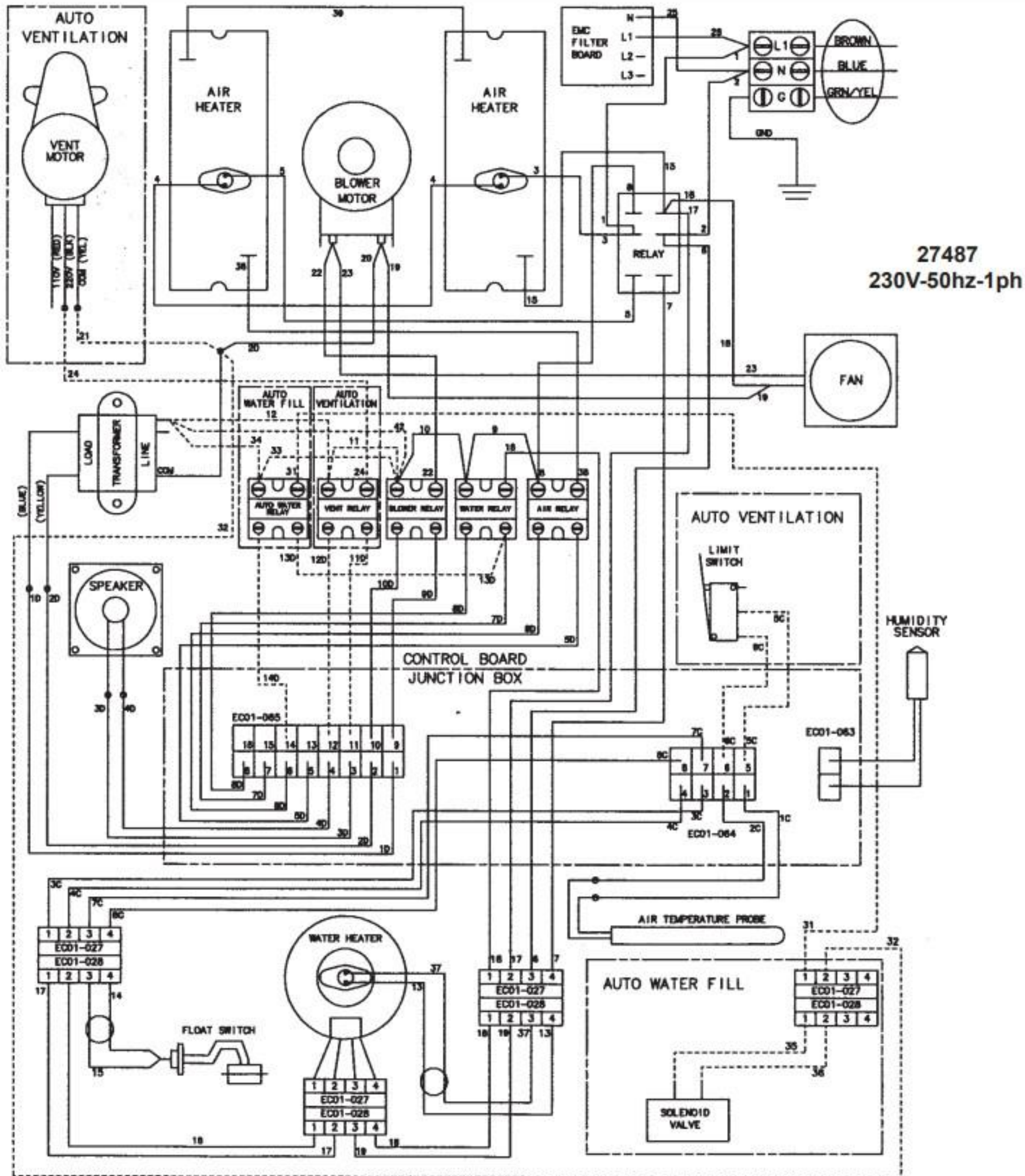
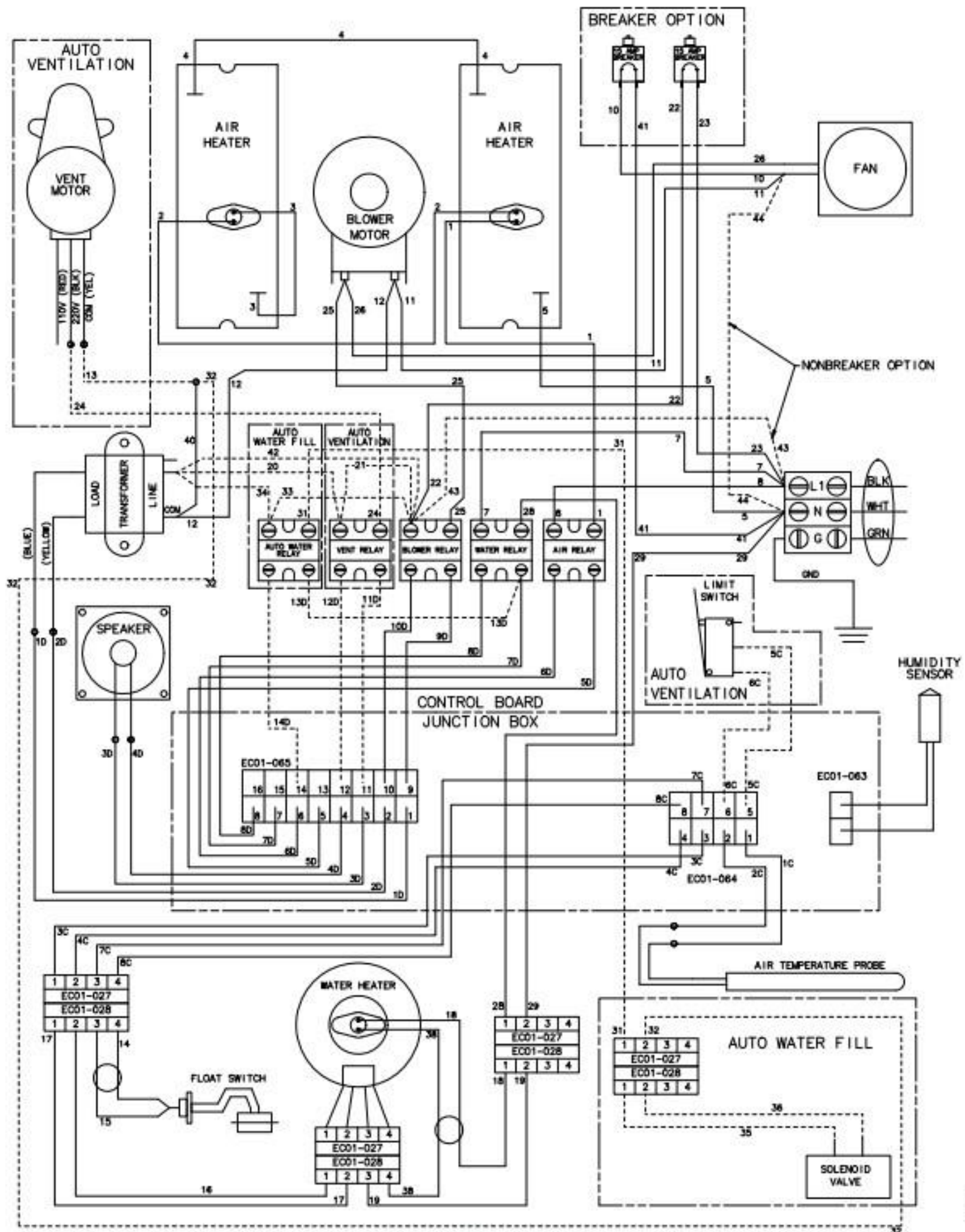


HHC99X
220-240V CE
1NG Wires





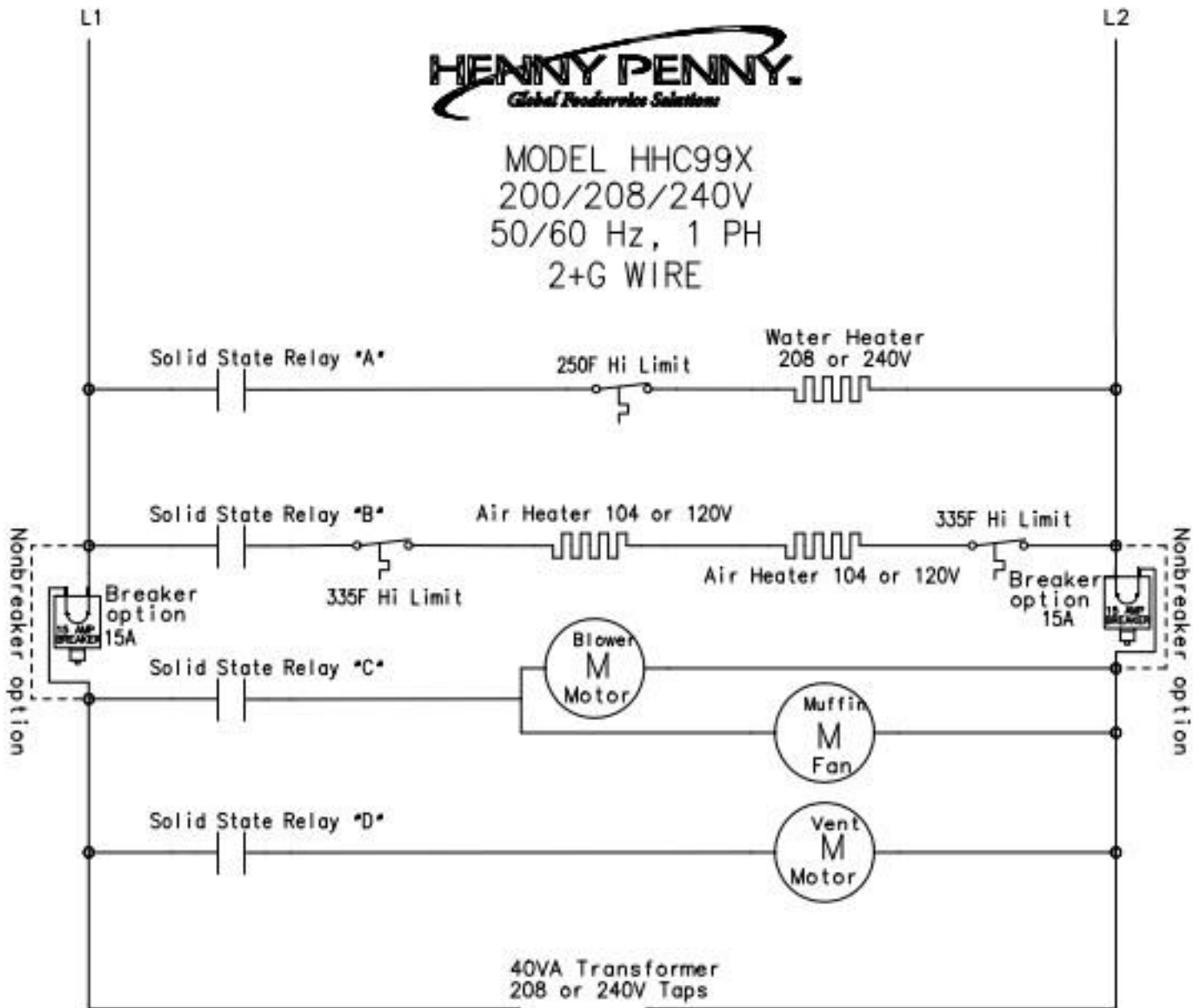


27486
208/240V-60hz-1ph

HENNY PENNY.

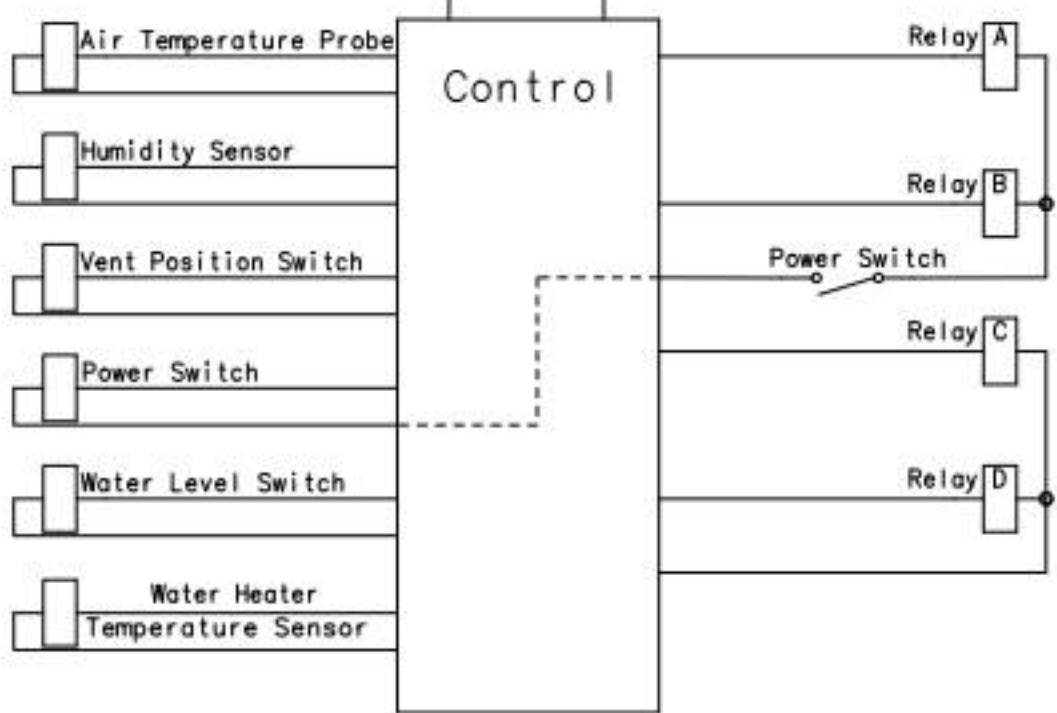
Global Foodservice Solutions

MODEL HHC99X
 200/208/240V
 50/60 Hz, 1 PH
 2+G WIRE

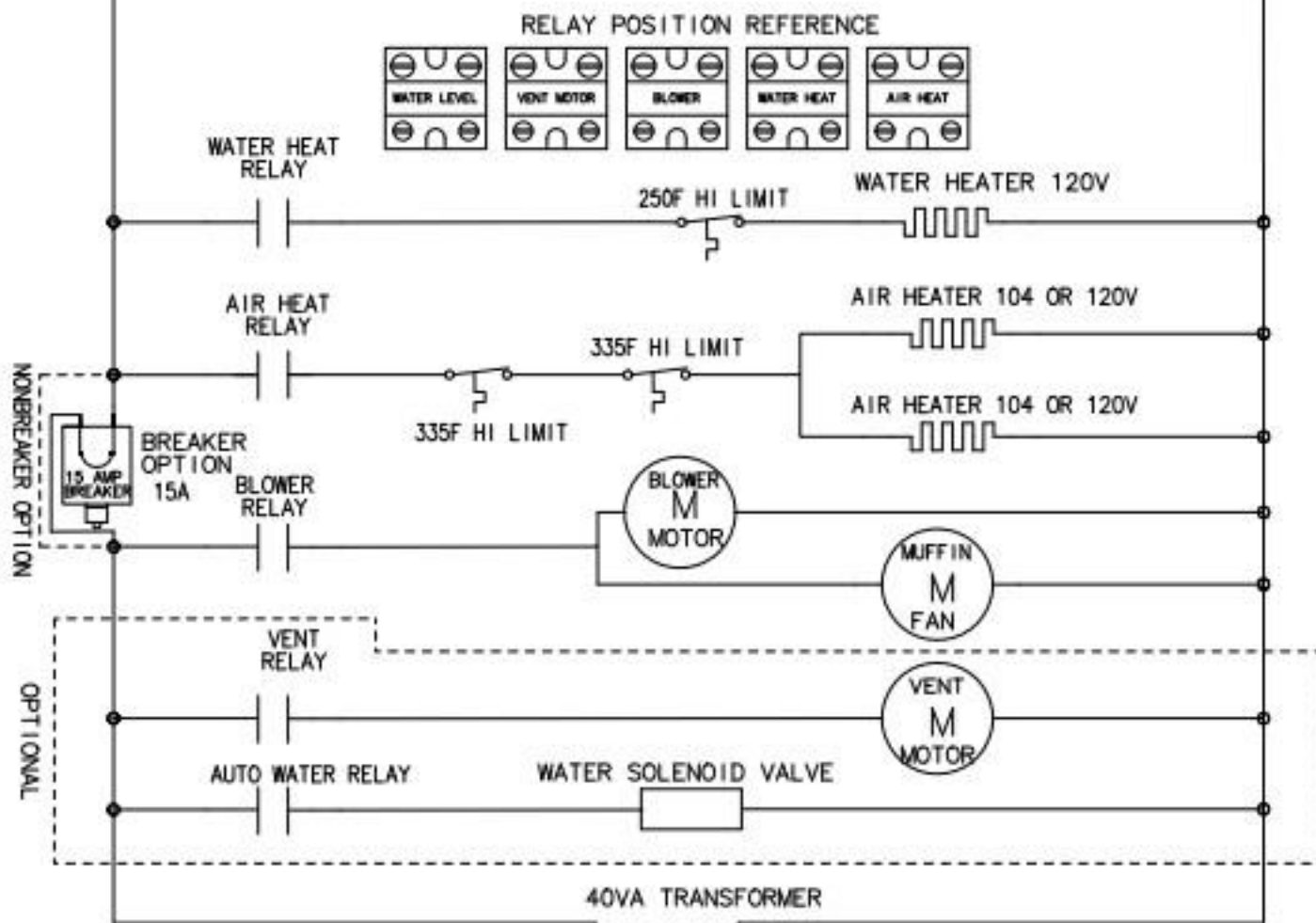


(Control Inputs)

(Control Outputs)



MODEL HHC99X
 100/120V
 50/60 Hz, 1 PH
 2+G Wire



(CONTROL INPUTS)

(CONTROL OUTPUTS)

