

**Henny Penny
Heated Merchandisers
Model HMR-103
Model HMR-104
Model HMR-105
Model HMR-106
Model HMR-107**

TECHNICAL MANUAL

TABLE OF CONTENTS

Section		Page
Section 1.	TROUBLESHOOTING	1-1
	1-1 Introduction	1-1
	1-2 Safety	1-1
	1-3. Troubleshooting	1-1
	1-4. Error Codes and Warnings	1-4
Section 2.	MAINTENANCE	2-1
	2-1. Introduction	2-1
	2-2. Maintenance Hints	2-1
	2-3. Front Glass Replacement	2-1
	2-4. Radiant Heater Replacement	2-3
	2-5. Light Socket Replacement	2-4
	2-6. Water Heater Replacement	2-5
	2-7. Water Probe Replacement	2-7
	2-8. Base Heater Replacement	2-10
	2-9. Blower Motor Replacement	2-11
	2-10. Air Probe Replacement	2-12
	2-11. Transformer Replacement	2-15
	2-12. Food Probe Receptacle Replacement	2-16
	2-13. Relay Replacement	2-17
	2-14. Cooling Fan Replacement	2-18
	2-15. Fuse and Fuse Holder Replacement	2-20
	2-16. High Limit Replacement - Automatic Reset	2-21
	2-17. High Limit Replacement - Manual Reset	2-22
	2-18. Power Switch Replacement	2-23
	2-19. Contactor Replacement	2-24
	2-20. PC Board Replacement	2-25
	2-21. Light Bulb Replacement	2-26
	2-21. Wiring Diagrams	2-27
Section 3.	PARTS INFORMATION	3-1
	3-1. Introduction	3-1
	3-2. Genuine Parts	3-1
	3-3. How to Order	3-1
	3-4. Prices	3-1
	3-5. Delivery	3-1
	3-6. Warranty	3-1
	3-7. Recommended Spare Parts for Distributors	3-1

SECTION 1. TROUBLESHOOTING

1-1. INTRODUCTION

This section provides troubleshooting information in the form of an easy to read table.

If a problem occurs during the first operation of a new unit, recheck the Installation Section of the Operator's Manual.

Before troubleshooting, always recheck the operating procedure per the Operation Section of the Operator's Manual.

1-2. SAFETY

Where information is of particular importance or is safety related, the words, NOTICE, CAUTION, or WARNING are used. Their usage is described below.



SAFETY ALERT SYMBOL is used with DANGER, WARNING, or CAUTION which indicates a personal injury type hazard.



NOTICE is used to highlight especially important information.



CAUTION used without the safety alert symbol indicates a potentially hazardous situation which, if not avoided, may result in property damage.



CAUTION used with the safety alert symbol indicates a potentially hazardous situation which, if not avoided, may result in minor or moderate injury.



WARNING indicates a potentially hazardous situation which, if not avoided, could result in death or serious injury.

1-3. TROUBLESHOOTING

To isolate a malfunction, proceed as follows:

1. Clearly define the problem (or symptom) and when it occurs.
2. Locate the problem in the troubleshooting table.
3. Review all possible causes. Then, one-at-a-time work through the list of corrections until the problem is solved.

1-3. TROUBLESHOOTING (Continued)

PROBLEM	CAUSE	CORRECTION
No radiant heat	<ul style="list-style-type: none"> • Faulty control PC board • Faulty radiant heater 	<ul style="list-style-type: none"> • Replace the appropriate PC Board; each well has its own control board • Replace radiant heater
No water heat	<ul style="list-style-type: none"> • Faulty radiant/water heat PC board • Faulty water heater 	<ul style="list-style-type: none"> • Replace PC board • Replace water heater
No lights	<ul style="list-style-type: none"> • Light switch defective • Light relay defective • Light socket shorted • Light bulb blown 	<ul style="list-style-type: none"> • Replace light switch • Replace relay (same as heat relay) • Replace light socket • Replace light bulb
Canopy glass fogging	<ul style="list-style-type: none"> • Air blowers not circulating heated air across glass • Water heat setting too high • Radiant heat setting too low 	<ul style="list-style-type: none"> • Replace blower motor • Lower water heat setting • Raise radiant heat setting
Product not holding temperature	<ul style="list-style-type: none"> • Doors are left open • Heat settings too low • Low or improper voltage • Product held too long • Product not placed correctly in unit 	<ul style="list-style-type: none"> • Keep doors closed except to load and unload product • Adjust heat settings • Using meter, compare receptacle voltage to data plate voltage • Hold product for recommended time • Place product in unit as per Operation with Product Section of Operator's Manual

1-4. ERROR CODES AND WARNINGS

The display shows the following error codes and warnings when a fault is detected, along with an alarm sound. Both the heat and humidity systems shut down, except when specified otherwise.

DISPLAY	CAUSE	CORRECTION
LO	<ul style="list-style-type: none"> Food probe or actual temperature is below 50° F (10° C) in Calibration Mode only 	<ul style="list-style-type: none"> Allow unit to heat-up, or remove food from unit
HI	<ul style="list-style-type: none"> Food probe temperature above 500° F (260° C) or lower air temperature 275° F (135° C), or above 	<ul style="list-style-type: none"> Check the probes and heating circuit
“E-4”	<ul style="list-style-type: none"> Control board temperature above 140° F (60° C) 	<ul style="list-style-type: none"> Check or clean cooling fans; if “E-4” persists, replace PC board
“E-6”	<ul style="list-style-type: none"> Air probe error; displayed if the probe resistance falls below 930 ohms or rises above 2036 ohms; the exception is on the upper heat control; any high resistance appears as if no food probe is plugged in 	<ul style="list-style-type: none"> Check probe and connection at PC board
“E-41”	<ul style="list-style-type: none"> Scrambled PC board memory 	<ul style="list-style-type: none"> Press UP button to clear “E-41”; if “E-41” persists, replace PC board
“E-56”	<ul style="list-style-type: none"> Setpoint storage error 	<ul style="list-style-type: none"> Press UP button to clear “E-56”, then turn unit off and back on; if “E-56” persists, replace PC board

SECTION 2. MAINTENANCE

2-1. INTRODUCTION

This section provides procedures for the checkout and replacement of the various parts used within the heated merchandiser. Before replacing any parts, refer to the Troubleshooting Section. It will aid you in determining the cause of the malfunction.

2-2. MAINTENANCE HINTS

1. You may want to use a multimeter to check the electric components.
2. When the manual refers to the circuit being closed, the multimeter should read zero unless otherwise noted.
3. When the manual refers to the circuit being open, the multimeter reads infinity.

2-3. FRONT GLASS REPLACEMENT



Figure 2-1

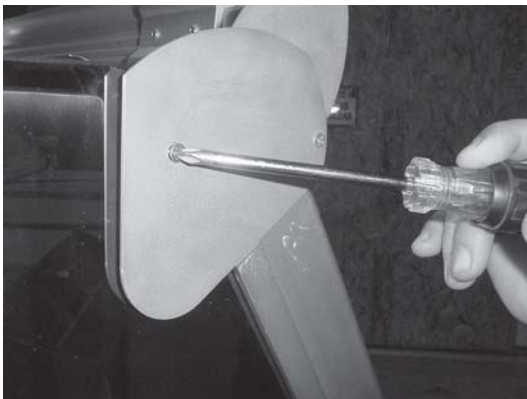


Figure 2-2

1. Raise the front glass to expose the gas shocks.
2. Using a 3 mm Allen wrench, loosen the set screws on the shock bracket armature (Figure 2-1).
3. Using a Phillips head screwdriver, remove the screws securing the exterior end cap and remove end cap (Figure 2-2).

2-3. FRONT GLASS REPLACEMENT (Continued)

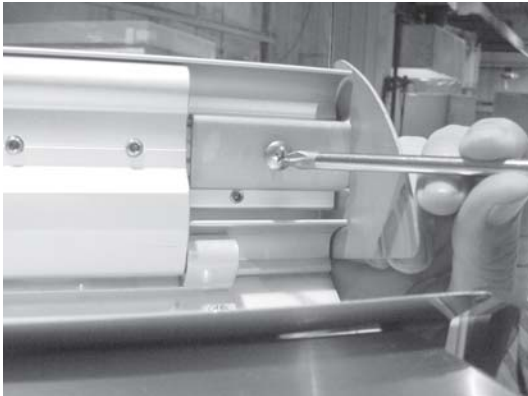


Figure 2-3



Figure 2-4

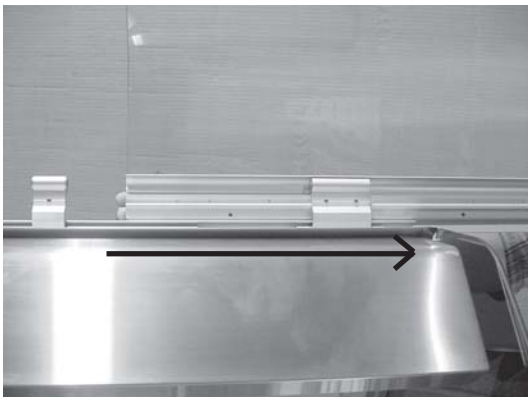


Figure 2-5

4. Using a Phillips head screwdriver, remove the screws securing the interior end cap and remove cap (Figure 2-3).
5. Hold glass upright, then use the gas shock tool (part no. [56878](#)), to release the shock from the brackets (Figure 2-4). Place tool on shock as shown and squeeze handle. Be sure to hold onto glass to prevent glass from breaking.

NOTICE

Note location and strength (N) of shock before removing.

6. Slide glass assembly off end of unit (Figure 2-5).

**2-3. FRONT GLASS
REPLACEMENT (Continued)**

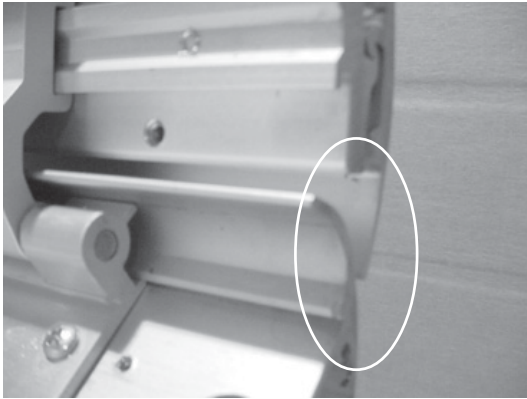


Figure 2-6

7. Slide new glass assembly into place, aligning outside edge of glass clamp to the outside edge of the canopy (Figure 2-6).
8. Tighten set screws on shock bracket armatures (Figure 2-1).
9. Using the gas shock tool, reinstall the gas shocks, placing the bottom end of shock in place first.
10. Replace interior end cap, with it being completely flush with glass clamp.
11. Replace the exterior end caps. Make sure spacers are between the end cap and the canopy.

**2-4. RADIANT HEATER
REPLACEMENT**



Figure 2-7



Figure 2-8



To avoid electrical shock or property damage, move the POWER switch to OFF and disconnect main circuit breaker, or unplug cord at wall receptacle.

1. Remove sliding doors.
2. Using a Phillips head screwdriver, remove 3 screws around the heater, leaving the top right screw.
3. Using a Phillips head screwdriver, remove the 4 screws securing the heater housing and allow housing to hinge down (Figure 2-7).
4. Remove fourth screw from around heater and remove outer housing (Figure 2-8).

2-4. RADIANT HEATER REPLACEMENT (Continued)

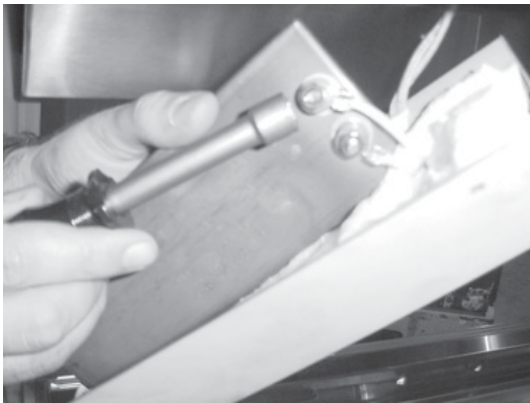


Figure 2-9

2-5. LIGHT SOCKET REPLACEMENT



Figure 2-10

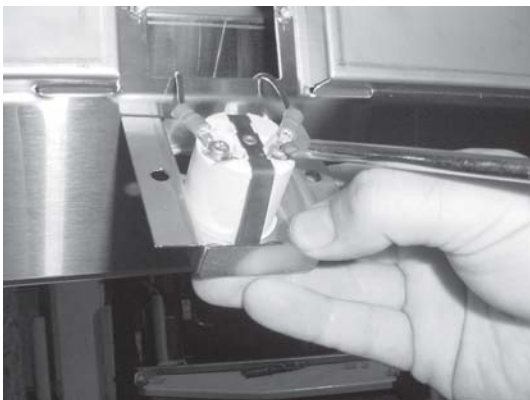


Figure 2-11

- Using a 3/8" socket, remove the wires from the back of the radiant heater (Figure 2-9).

NOTICE

Using a multimeter, or ohmmeter, check ohm rating without the wires connected. The Ohm ratings:

208V - Hot - 84.8 ohms; Cold - 72.7 - 88.9 ohms

230V - Hot - 103.7 ohms; Cold - 88.9 - 108.7 ohms

240V - Hot - 221.5 ohms; Cold - 189.9 - 232.1 ohms

- Install new radiant heater in reverse order.

NOTICE

When re-attaching the heater wires to the heater the bottom nut must be held in place while the top nut is tightened down on the heater wires.



To avoid electrical shock or property damage, move the POWER switch to OFF and disconnect main circuit breaker, or unplug cord at wall receptacle.

- Raise canopy glass and remove light bulb.
- Using 3/8" socket, remove the 2 keps nuts securing the light socket assembly (Figure 2-10).
- Pull socket assembly from studs.
- Using a Phillips head screwdriver, remove the wires from the socket (Figure 2-11).

2-5. LIGHT SOCKET REPLACEMENT **(Continued)**

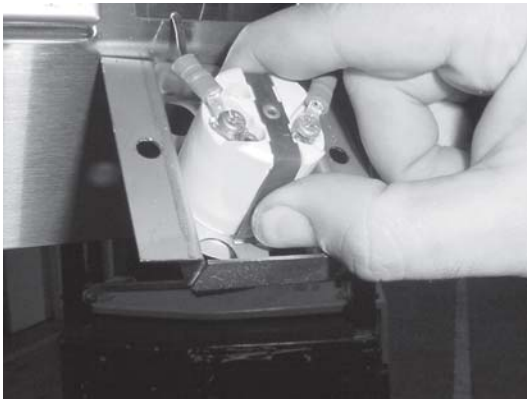


Figure 2-12

5. Squeeze the brackets and pull socket from housing (Figure 2-12).
6. Install new socket in reverse order.

2-6. WATER HEATER REPLACEMENT



Figure 2-13



To avoid electrical shock or property damage, move the POWER switch to OFF and disconnect main circuit breaker, or unplug cord at wall receptacle.

1. Remove pans and pan supports from unit.
2. Using a 3/8" socket, remove the acorn nuts securing the heater cover (Figure 2-13).
3. Remove the 3 Phillips head screws securing the rear of the heater cover (Figure 2-14).
4. Cut the silicone seal around the rear of the cover.



Figure 2-14

2-6. WATER HEATER REPLACEMENT
(Continued)



Figure 2-15

5. Remove the 5 Phillips head screws securing side mounting plate (Figure 2-15).



Figure 2-16

6. Remove the Phillips head screws securing the bottom, rear cover and let hinge down (Figure 2-16).

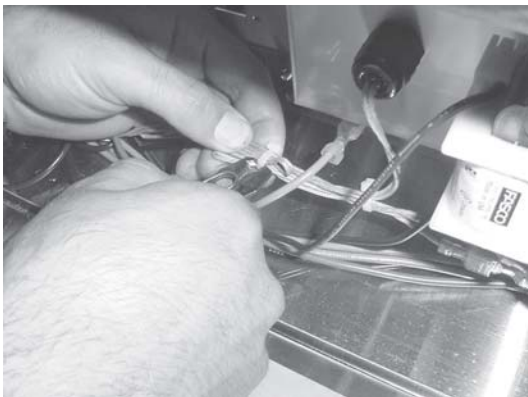


Figure 2-17

7. Cut wire ties to probe wires (Figure 2-17).

2-6. WATER HEATER REPLACEMENT (Continued)

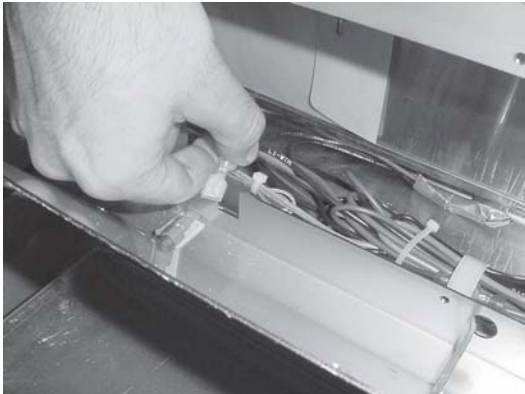


Figure 2-18

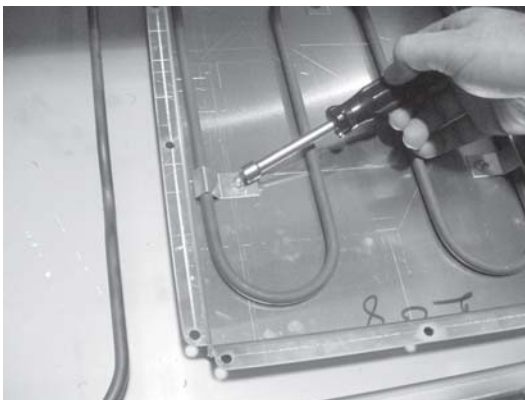


Figure 2-19

2-7. WATER PROBE REPLACEMENT



Figure 2-20

8. Disconnect wires from heater (Figure 2-18).

NOTICE

Using a multimeter, or ohmmeter, check ohm rating without the wires connected. The ohm ratings:

208V - Hot - 108.1 ohms; Cold - 97.8 - 113.3 ohms

230V - Hot - 132.2 ohms; Cold - 119.6 - 138.5 ohms

9. Pull heater cover from side mounting plate.
10. Flip heater cover to expose heater.
11. Using 5/16" socket, remove keps nuts securing the heater clips, and pull heater from heater cover (Figure 2-19).
12. Replace new heater in reverse order.



To avoid electrical shock or property damage, move the POWER switch to OFF and disconnect main circuit breaker, or unplug cord at wall receptacle.

1. Remove pans and pan supports from unit.
2. Using a 3/8" socket, remove the acorn nuts securing the heater cover (Figure 2-20).

**2-7. WATER PROBE REPLACEMENT
(Continued)**



Figure 2-21

3. Remove the 3 Phillips head screws securing the rear of the heater cover (Figure 2-21).



Figure 2-22

4. Cut the silicone seal around the rear of the cover.

5. Remove the 5 Phillips head screws securing side mounting plate (Figure 2-22).



Figure 2-23

6. Remove the Phillips head screws securing the bottom, rear cover and let hinge down (Figure 2-23).

2-7. WATER PROBE REPLACEMENT
(Continued)

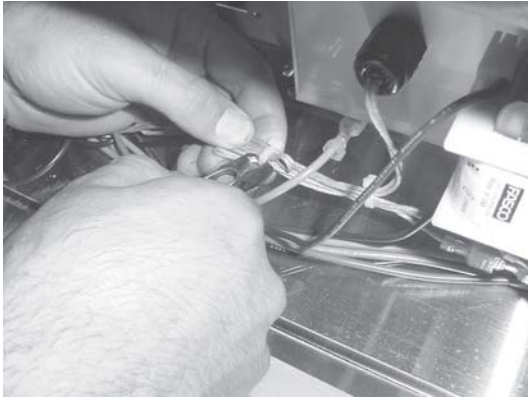


Figure 2-24

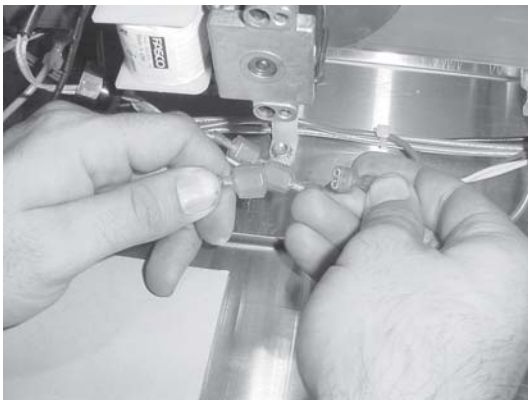


Figure 2-25

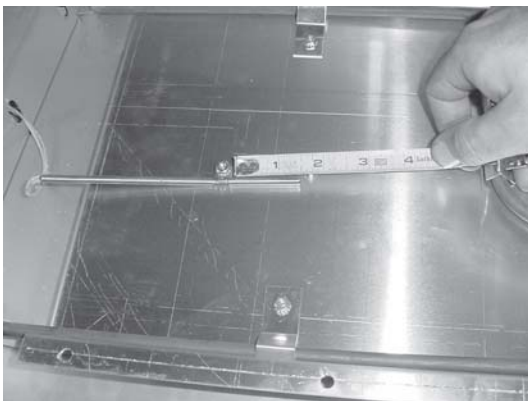


Figure 2-26

7. Cut wire ties to probe wires (Figure 2-24).
8. Unplug probe from wiring harness (Figure 2-25).
9. Using 5/16" socket, loosen keps nut on probe clip and pull probe from unit.
10. Install new probe in reverse order.

NOTICE

Extend probe 1-1/2" (38 mm), from clip (Figure 2-26).

2-8. BASE HEATER REPLACEMENT



Figure 2-27



Figure 2-28

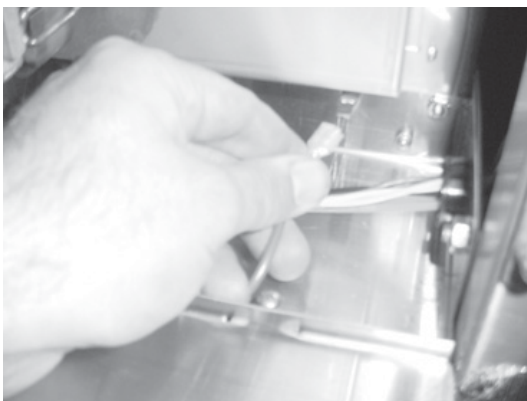


Figure 2-29



To avoid electrical shock or property damage, move the **POWER** switch to **OFF** and disconnect main circuit breaker, or unplug cord at wall receptacle.

1. Remove pans and pan supports from unit.
2. Remove Phillips head screws from heater bracket (Figure 2-27).
3. Using a 3/8" wrench or socket, remove the acorn nut securing the heater brace and remove brace.
4. Remove the Phillips head screws securing the bottom, rear cover and let hinge down (Figure 2-28).
5. Pull wires from heater and pull heater from unit (Figure 2-29).

NOTICE

Using a multimeter, or ohm meter, check ohm rating without the wires connected. The ohm ratings:
208V - Hot - 66.5 ohms; Cold - 60.2 - 89.7 ohms
240V - Hot - 88.6 ohms; Cold - 80.1 - 92.8 ohms

6. Install new heater in reverse order.

2-9. BLOWER MOTOR REPLACEMENT



Figure 2-30

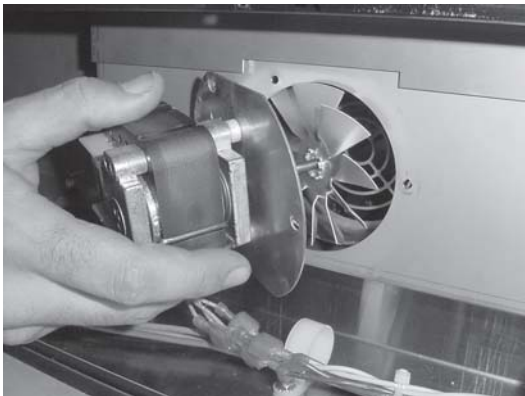


Figure 2-31

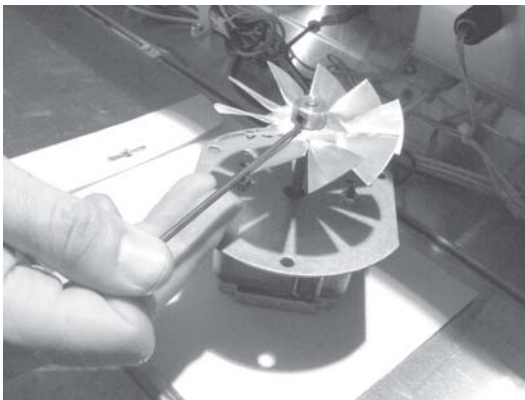


Figure 2-32



To avoid electrical shock or property damage, move the POWER switch to OFF and disconnect main circuit breaker, or unplug cord at wall receptacle.

1. Remove the Phillips head screws securing the bottom, rear cover and let hinge down (Figure 2-30).
2. Remove the 3 screws from the blower bracket and pull blower motor assembly from housing (Figure 2-31).
3. Using an Allen wrench, loosen the set screw securing the fan blade to the blower motor and pull fan blade from motor (Figure 2-32).
4. Cut wires to blower motor and pull motor from unit.
5. Strip back the cut wires, and connect new blower motor wires to these wires, using wire splicers or wire nuts.
6. Install new blower motor in reverse order.

2-10. AIR PROBE REPLACEMENT



Figure 2-33

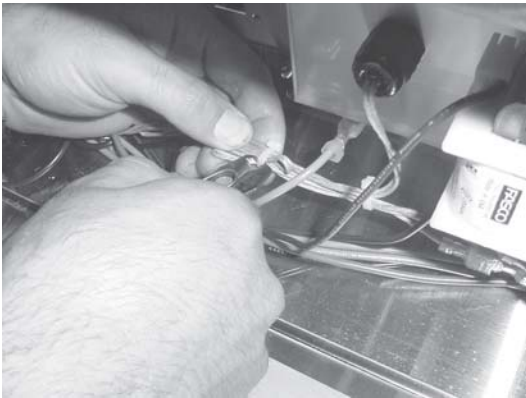


Figure 2-34

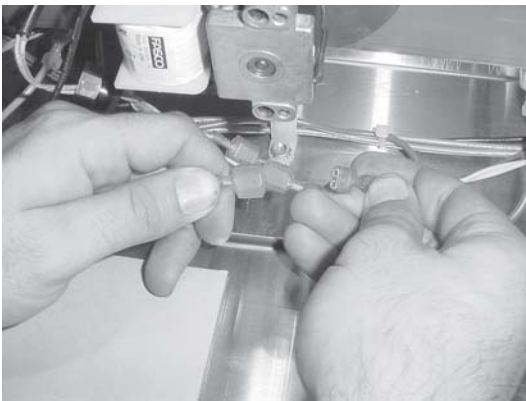


Figure 2-35



To avoid electrical shock or property damage, move the POWER switch to OFF and disconnect main circuit breaker, or unplug cord at wall receptacle.

1. Remove the Phillips head screws securing the bottom, rear cover and let hinge down (Figure 2-33).
2. Cut wires ties to probe wires (Figure 2-34).
3. Unplug the probe from the wire harness (Figure 2-35).
4. Using a multimeter, or ohmmeter, check across the probe terminals for the correct ohms using the RTD Resistance Chart on the following page. If the probe proves faulty, continue onto step 5. If probe is good, replace wire ties on wires.

RTD Resistance Chart

Temp. F	Temp. C	Resistance		Temp. F	Temp. C	Resistance		Temp. F	Temp. C	Resistance		Temp. F	Temp. C	Resistance	
		Ohms	Ohms			Ohms	Ohms			Ohms	Ohms			Ohms	Ohms
32	0.00	1000.00	76	24.44	1095.18	120	48.89	1189.67	164	73.33	1283.47	208	97.78	1376.57	1376.57
33	0.56	1002.17	77	25.00	1097.33	121	49.44	1191.81	165	73.89	1285.59	209	98.33	1378.68	1378.68
34	1.11	1004.34	78	25.56	1099.49	122	50.00	1193.95	166	74.44	1287.71	210	98.89	1380.79	1380.79
35	1.67	1006.51	79	26.11	1101.64	123	50.56	1196.09	167	75.00	1289.84	211	99.44	1382.89	1382.89
36	2.22	1008.68	80	26.67	1103.80	124	51.11	1198.23	168	75.56	1291.96	212	100.00	1385.00	1385.00
37	2.78	1010.85	81	27.22	1105.95	125	51.67	1200.36	169	76.11	1294.08	213	100.56	1387.11	1387.11
38	3.33	1013.02	82	27.78	1108.10	126	52.22	1202.50	170	76.67	1296.20	214	101.11	1389.21	1389.21
39	3.89	1015.18	83	28.33	1110.26	127	52.78	1204.64	171	77.22	1298.32	215	101.67	1391.32	1391.32
40	4.44	1017.35	84	28.89	1112.41	128	53.33	1206.78	172	77.78	1300.45	216	102.22	1393.42	1393.42
41	5.00	1019.52	85	29.44	1114.56	129	53.89	1208.91	173	78.33	1302.57	217	102.78	1395.53	1395.53
42	5.56	1021.69	86	30.00	1116.72	130	54.44	1211.05	174	78.89	1304.69	218	103.33	1397.63	1397.63
43	6.11	1023.86	87	30.56	1118.87	131	55.00	1213.18	175	79.44	1306.81	219	103.89	1399.74	1399.74
44	6.67	1026.02	88	31.11	1121.02	132	55.56	1215.32	176	80.00	1308.93	220	104.44	1401.84	1401.84
45	7.22	1028.19	89	31.67	1123.17	133	56.11	1217.45	177	80.56	1311.05	221	105.00	1403.95	1403.95
46	7.78	1030.36	90	32.22	1125.32	134	56.67	1219.59	178	81.11	1313.17	222	105.56	1406.05	1406.05
47	8.33	1032.52	91	32.78	1127.47	135	57.22	1221.72	179	81.67	1315.28	223	106.11	1408.15	1408.15
48	8.89	1034.69	92	33.33	1129.62	136	57.78	1223.86	180	82.22	1317.40	224	106.67	1410.25	1410.25
49	9.44	1036.85	93	33.89	1131.77	137	58.33	1225.99	181	82.78	1319.52	225	107.22	1412.36	1412.36
50	10.00	1039.02	94	34.44	1133.92	138	58.89	1228.12	182	83.33	1321.64	226	107.78	1414.46	1414.46
51	10.56	1041.18	95	35.00	1136.07	139	59.44	1230.26	183	83.89	1323.76	227	108.33	1416.56	1416.56
52	11.11	1043.35	96	35.56	1138.22	140	60.00	1232.39	184	84.44	1325.87	228	108.89	1418.66	1418.66
53	11.67	1045.51	97	36.11	1140.36	141	60.56	1234.52	185	85.00	1327.99	229	109.44	1420.76	1420.76
54	12.22	1047.67	98	36.67	1142.51	142	61.11	1236.65	186	85.56	1330.10	230	110.00	1422.86	1422.86
55	12.78	1049.84	99	37.22	1144.66	143	61.67	1238.79	187	86.11	1332.22	231	110.56	1424.96	1424.96
56	13.33	1052.00	100	37.78	1146.81	144	62.22	1240.92	188	86.67	1334.34	232	111.11	1427.06	1427.06
57	13.89	1054.16	101	38.33	1148.95	145	62.78	1243.05	189	87.22	1336.45	233	111.67	1429.16	1429.16
58	14.44	1056.32	102	38.89	1151.10	146	63.33	1245.18	190	87.78	1338.57	234	112.22	1431.26	1431.26
59	15.00	1058.49	103	39.44	1153.24	147	63.89	1247.31	191	88.33	1340.68	235	112.78	1433.36	1433.36
60	15.56	1060.65	104	40.00	1155.39	148	64.44	1249.44	192	88.89	1342.79	236	113.33	1435.46	1435.46
61	16.11	1062.81	105	40.56	1157.53	149	65.00	1251.57	193	89.44	1344.91	237	113.89	1437.55	1437.55
62	16.67	1064.97	106	41.11	1159.68	150	65.56	1253.70	194	90.00	1347.02	238	114.44	1439.65	1439.65
63	17.22	1067.13	107	41.67	1161.82	151	66.11	1255.83	195	90.56	1349.13	239	115.00	1441.75	1441.75
64	17.78	1069.29	108	42.22	1163.97	152	66.67	1257.95	196	91.11	1351.25	240	115.56	1443.85	1443.85
65	18.33	1071.45	109	42.78	1166.11	153	67.22	1260.08	197	91.67	1353.36	241	116.11	1445.94	1445.94
66	18.89	1073.61	110	43.33	1168.26	154	67.78	1262.21	198	92.22	1355.47	242	116.67	1448.04	1448.04
67	19.44	1075.77	111	43.89	1170.40	155	68.33	1264.34	199	92.78	1357.58	243	117.22	1450.13	1450.13
68	20.00	1077.92	112	44.44	1172.54	156	68.89	1266.46	200	93.33	1359.69	244	117.78	1452.23	1452.23
69	20.56	1080.08	113	45.00	1174.68	157	69.44	1268.59	201	93.89	1361.80	245	118.33	1454.32	1454.32
70	21.11	1082.24	114	45.56	1176.83	158	70.00	1270.72	202	94.44	1363.91	246	118.89	1456.42	1456.42
71	21.67	1084.40	115	46.11	1178.97	159	70.56	1272.84	203	95.00	1366.02	247	119.44	1458.51	1458.51
72	22.22	1086.55	116	46.67	1181.11	160	71.11	1274.97	204	95.56	1368.13	248	120.00	1460.61	1460.61
73	22.78	1088.71	117	47.22	1183.25	161	71.67	1277.09	205	96.11	1370.24	249	120.56	1462.70	1462.70
74	23.33	1090.87	118	47.78	1185.39	162	72.22	1279.22	206	96.67	1372.35	250	121.11	1464.79	1464.79
75	23.89	1093.02	119	48.33	1187.53	163	72.78	1281.34	207	97.22	1374.46				

2-10. AIR PROBE REPLACEMENT **(Continued)**



Figure 2-36

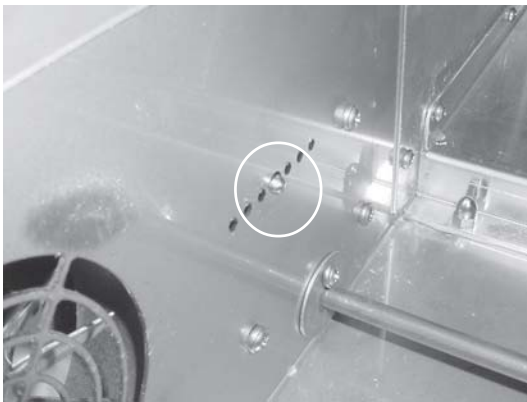


Figure 2-37

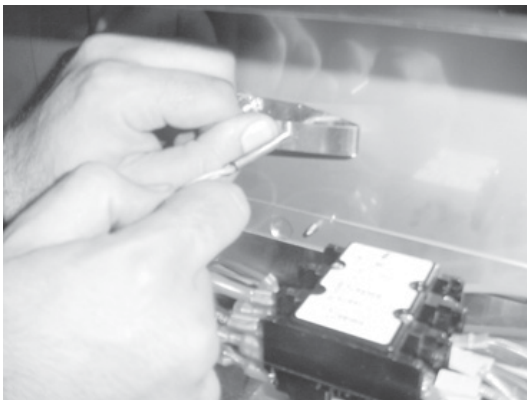


Figure 2-38

5. Using a 3/4" wrench, loosen probe strain relief and pull the probe from the unit (Figure 2-36).

6. Install new probe in reverse order, extending the probe 1/8" into cabinet (Figure 2-37).

NOTICE

Some probes are held into place by a probe bracket instead of a strain relief. Press on the edge of the bracket to relax the tension on the probe and then pull probe from unit. Extend the new probe about 1/4" into cabinet (Figure 2-38).

2-11. TRANSFORMER REPLACEMENT

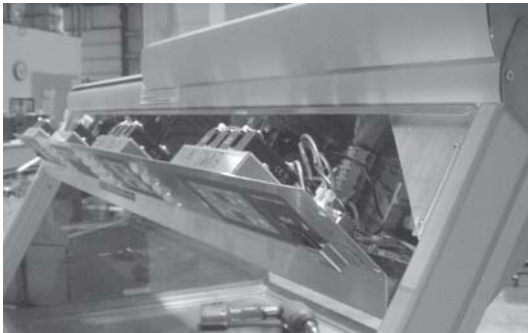


Figure 2-39



Figure 2-40

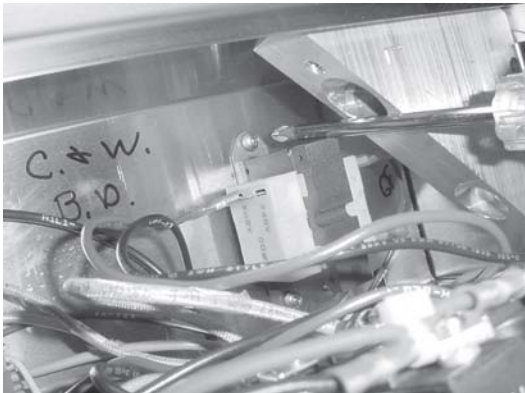


Figure 2-41



To avoid electrical shock or property damage, move the POWER switch to OFF and disconnect main circuit breaker, or unplug cord at wall receptacle.

1. Remove the Phillips head screws securing the top, rear cover, and let cover hinge down (Figure 2-39).
2. Label, and then pull the wires from the transformer (Figure 2-40).
3. Remove the Phillips head screws securing the transformer and pull transformer from unit (Figure 2-41).
4. Install new transformer in reverse order.

2-12. FOOD PROBE RECEPTACLE REPLACEMENT

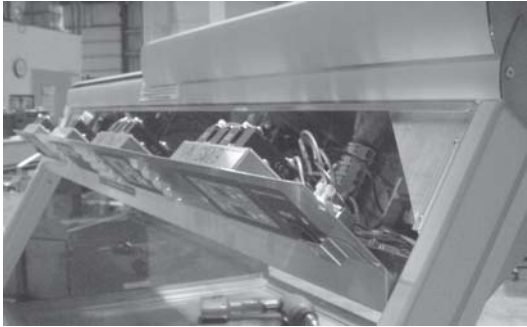


Figure 2-42



Figure 2-43



Figure 2-44



To avoid electrical shock or property damage, move the POWER switch to OFF and disconnect main circuit breaker, or unplug cord at wall receptacle.

1. Remove the Phillips head screws securing the top, rear cover, and let cover hinge down (Figure 2-42).
2. Cut wire ties securing receptacle wires and disconnect receptacle from wire harness.
3. Using 3/8" socket, remove nuts securing bracket and pull bracket and receptacle from unit (Figure 2-43).
4. Remove the Phillips head screw securing the receptacle to the bracket and remove receptacle from bracket (Figure 2-44).
5. Install new receptacle in reverse order.

2-13. RELAY REPLACEMENT



Figure 2-45



To avoid electrical shock or property damage, move the **POWER** switch to **OFF** and disconnect main circuit breaker, or unplug cord at wall receptacle.

1. Remove the Phillips head screws securing the top, rear cover, and let cover hinge down (Figure 2-45).



Figure 2-46

2. Label wires, and then loosen the Phillips head screws securing the wires to the relay and pull wires from relay (Figure 2-46).



Figure 2-47

3. Remove the Phillips head screws securing the relay to the unit, and then pull relay from unit (Figure 2-47).

4. Install new relay in reverse order.

2-14. COOLING FAN REPLACEMENT



Figure 2-48

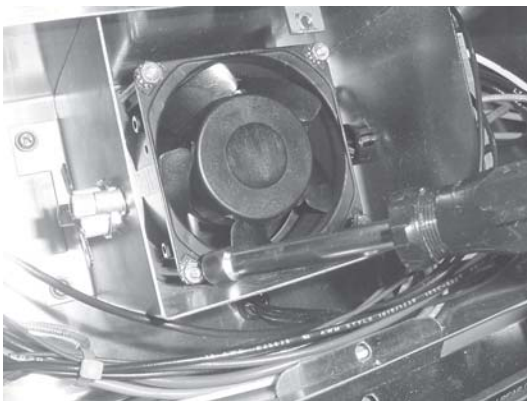


Figure 2-49



Figure 2-50



To avoid electrical shock or property damage, move the POWER switch to OFF and disconnect main circuit breaker, or unplug cord at wall receptacle.

1. Remove the Phillips head screws securing the top, rear cover, and let cover hinge down (Figure 2-48).

NOTICE

For bracket mounted fan instructions, see next page.

2. Using 5/16" socket, remove nuts securing the fan (Figure 2-49).
3. Cut the cooling fan wires and remove the cooling fan from the unit (Figure 2-50).
4. Strip back the cut wires, and connect new blower motor wires to these wires, using wire splicers or wire nuts.
5. Install new cooling fan in reverse order, making sure the air blows into the cabinet.

2-14. COOLING FAN REPLACEMENT **(Continued)**

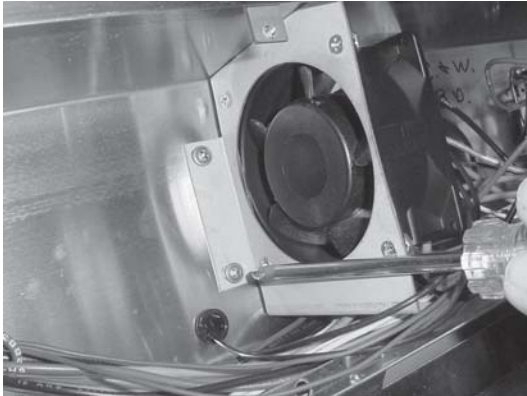


Figure 2-51

6. Remove Phillips head screws securing the fan bracket (Figure 2-51).

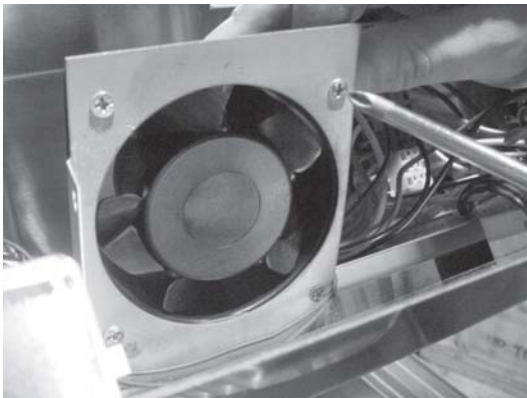


Figure 2-52

7. Remove screws and nuts securing the fan to the bracket (Figure 2-52).



Figure 2-53

8. Cut wires to cooling fan and remove the fan from the unit (Figure 2-53).

9. Strip back the cut wires, and connect new cooling fan wires to these wires, using wire splicers or wire nuts.

10. Install new cooling fan in reverse order, making sure the air blows towards the outside of the unit.

2-15. FUSE AND FUSE HOLDER REPLACEMENT



To avoid electrical shock or property damage, move the **POWER** switch to **OFF** and disconnect main circuit breaker, or unplug cord at wall receptacle.



Figure 2-54

Fuse Replacement

1. Unscrew fuse holder cap counterclockwise to access fuse (Figure 2-54).

To check fuse, use a multimeter, or continuity tester, and put leads on each end of fuse. If meter shows circuit is closed, fuse is good. Replace fuse with a 15 amp fuse (20 amp fuse-CE), if meter shows circuit is open.



Figure 2-55

Fuse Holder Replacement

1. Remove the Phillips head screws securing the bottom, rear cover and let hinge down (Figure 2-55).
2. Pull wires from fuse holder terminals.
3. Using 5/16" socket remove nuts securing fuse holder and pull holder from unit (Figure 2-56).
4. Install new fuse holder in reverse order.

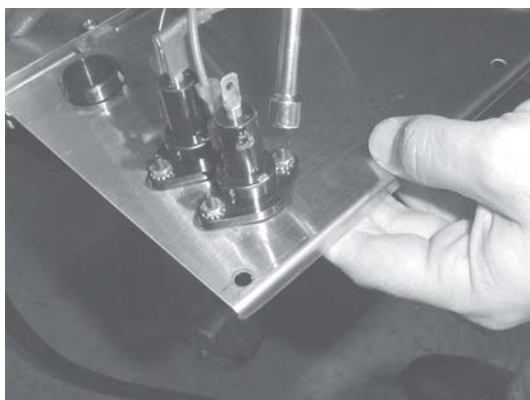


Figure 2-56

2-16. HIGH LIMIT REPLACEMENT **- AUTOMATIC RESET**



Figure 2-57

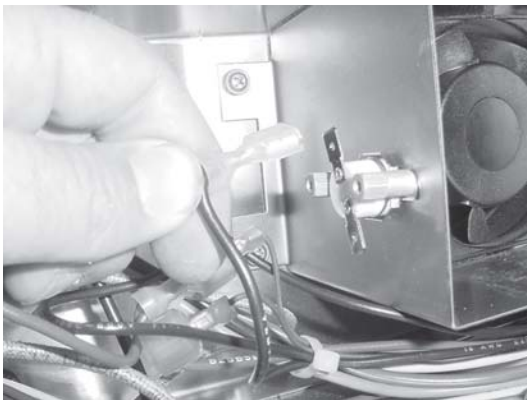


Figure 2-58

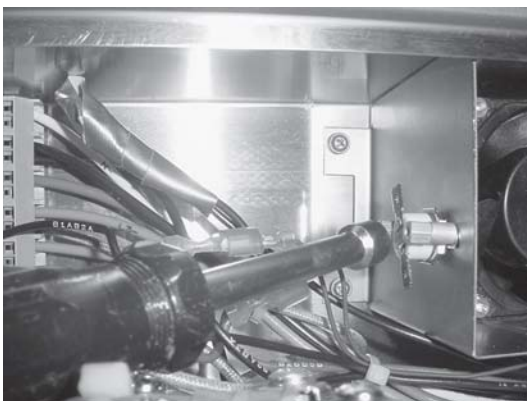


Figure 2-59



To avoid electrical shock or property damage, move the POWER switch to OFF and disconnect main circuit breaker, or unplug cord at wall receptacle.

1. Remove the Phillips head screws securing the top, rear cover, and let cover hinge down (Figure 2-57).

2. Pull wires from high limit (Figure 2-58).

To check high, use a multimeter or continuity tester, and put leads on each terminal of high limit. With the unit at room temperature, the meter shows a closed circuit if high limit is good. Replace high limit if meter shows circuit is open.

3. Using 1/4" socket, remove nuts securing high limit, pull it from the unit (Figure 2-59).

4. Replace new high limit in reverse order.

2-17. HIGH LIMIT REPLACEMENT **- MANUAL RESET**



Figure 2-60



Figure 2-61



Figure 2-62



To avoid electrical shock or property damage, move the POWER switch to OFF and disconnect main circuit breaker, or unplug cord at wall receptacle.

1. Remove the Phillips head screws securing the bottom, rear cover and let hinge down (Figure 2-60).

2. Pull wires from high limit (Figure 2-61).

To check high limit, allow unit to cool, then press the reset button to make sure high limit is reset. Use a multimeter, or continuity tester, and put leads on each terminal of high limit. If the meter shows circuit is closed, the high limit is good. Replace high limit if meter shows circuit is open.

3. Using 1/4" socket, remove nuts securing the high limit, and pull high limit from unit (Figure 2-62).

4. Install new high limit in reverse order.

2-18. POWER SWITCH REPLACEMENT



Figure 2-63



Figure 2-64

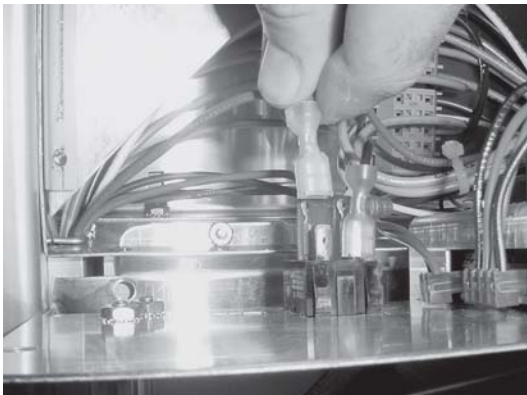


Figure 2-65



Figure 2-66



To avoid electrical shock or property damage, move the POWER switch to OFF and disconnect main circuit breaker, or unplug cord at wall receptacle.

- 1A. For switches on bottom rear cover, remove the Phillips head screws securing the bottom rear cover and let hinge down (Figure 2-63).
- 1B. For switches on top rear cover, remove the Phillips head screws securing the top rear cover and let hinge down (Figure 2-64).
2. Label wires and then pull them from the switch (Figure 2-65).
3. Press tabs together and pull switch from front of panel (Figure 2-66).
4. Install new switch in reverse order.

2-19. CONTACTOR REPLACEMENT



Figure 2-67



Figure 2-68

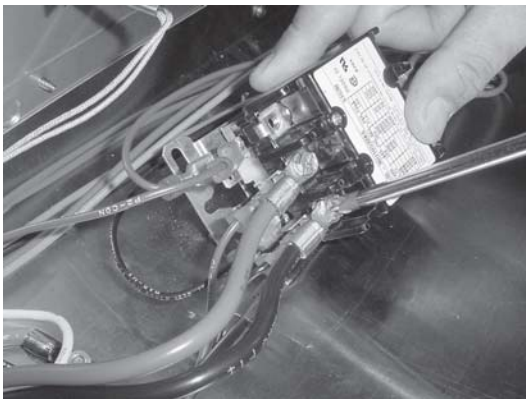


Figure 2-69



To avoid electrical shock or property damage, move the POWER switch to OFF and disconnect main circuit breaker, or unplug cord at wall receptacle.

1. Remove the Phillips head screws securing the bottom, rear cover and let hinge down (Figure 2-67).
2. Using 3/8" socket, remove the nuts securing the contactor and pull contactor off of studs (Figure 2-68).
3. Label wires and then remove the Phillips head screws securing the wires (Figure 2-69).
4. Install new contactor in reverse order.

2-20. PC BOARD REPLACEMENT



Figure 2-70

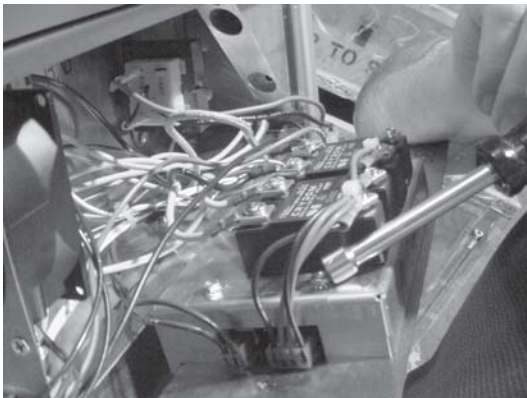


Figure 2-71

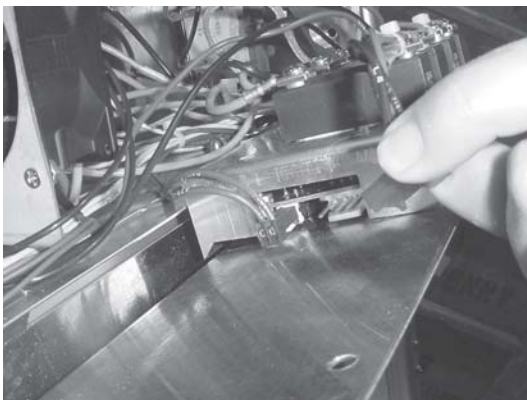


Figure 2-72

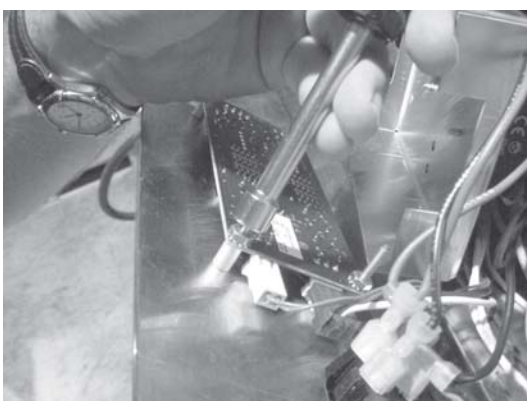


Figure 2-73



To avoid electrical shock or property damage, move the POWER switch to OFF and disconnect main circuit breaker, or unplug cord at wall receptacle.

1. Remove the Phillips head screws securing the top, rear cover, and let cover hinge down (Figure 2-70).
2. Remove the nuts securing the housing and pull housing from unit (Figure 2-71).
3. Disconnect connectors to the PC board (Figure 2-72).
4. Using 5/16" socket, remove the nuts securing the PC board and pull the board from the unit (Figure 2-73).
5. Install new PC board in reverse order.

2-21. LIGHT BULB REPLACEMENT



Figure 2-74



Figure 2-75



To avoid electrical shock or property damage, move the POWER switch to OFF and disconnect main circuit breaker, or unplug cord at wall receptacle.

Light bulbs and glass may be hot. Severe burns could result.

1. Raise the glass canopy and ensure that the gas shocks support its weight before proceeding.



Do Not attempt to access the bulb from the operator's side of the unit. The installer cannot easily see the bulb and socket or the adjacent radiant heaters, increasing the potential shock or burn hazard.

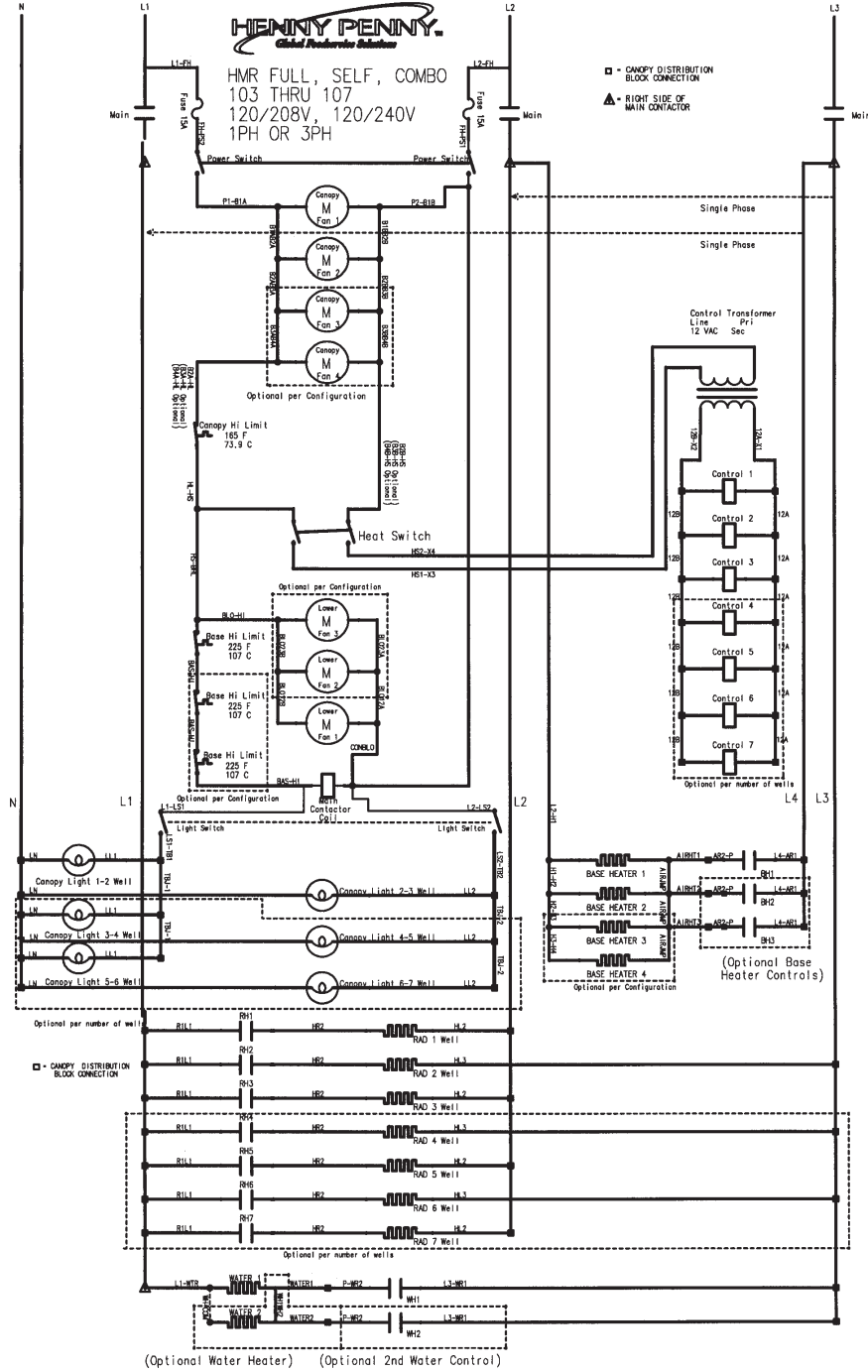
2. Carefully remove the old bulb and discard. Figure 2-74.
3. Visually inspect socket to ensure there is no debris or damage that may impede bulb installation. Figure 2-75.
4. Install the replacement bulb. Tighten using a gentle pressure.



To help prevent a short bulb life:

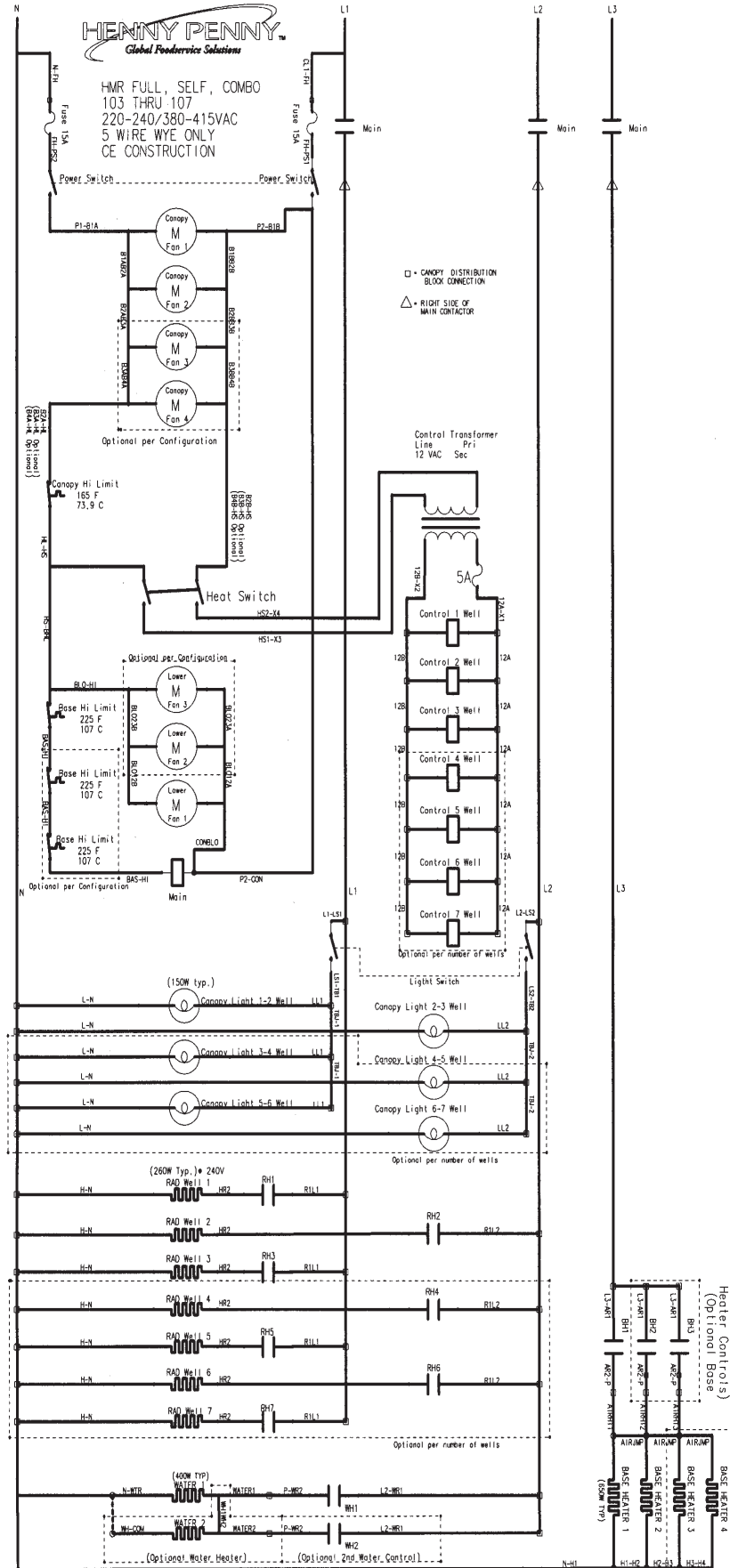
- *Do not over-tighten the bulb. Over-tightening will damage the contact end of the bulb and compress the contact tab in the socket*
- *Do not install the bulb with the power on. During normal operation, the socket is exposed to various food related agents, such as moisture and grease. When installing a new bulb with the power on, the spark that occurs when the bulb contact touches the socket, places a deposit on the bottom of the bulb. This deposit results in a higher amp draw and shorter bulb life.*

2-21. WIRING DIAGRAMS

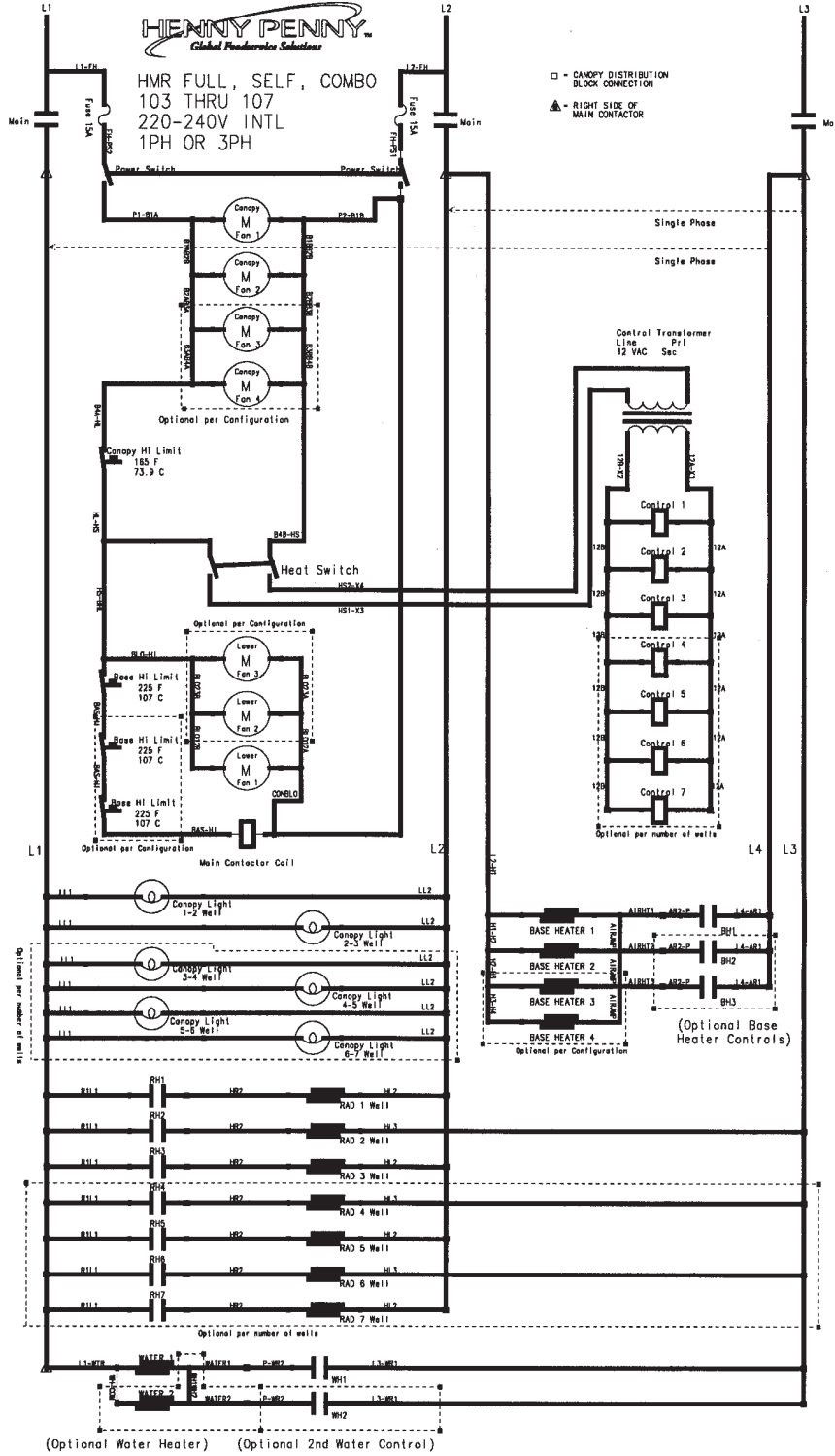


Product	Quantity of components found in the unit (Domestic Units)							
	Radiant Heaters	Lights	Base Heaters	Canopy Fans	Water Heaters	Controls	Base Fans	Base Hi-Limits
HMR-3	3	4	2	2	1	3	2	1
HMR-4	4	5	2	3	1	4	2	1
HMR-5	5	6	3	4	1	5	2	2
HMR-6	6	7	3	4	2	6	3	2
HMR-7	7	8	4	4	2	7	3	2
OMR-4	4	5	2	3	1	4	1	2
OMR-5	5	6	3	4	1	5	1 or 2	2
OMR-6	6	7	3	4	1 or 2	6	1 or 2	2 or 3
OMR-7	7	8	4	4	1 or 2	7	1 or 2	2 or 3
HSR-3	3	4	2	2	0	3	0	1
HSR-4	4	5	2	3	0	4	0	1
HSR-5	5	6	3	4	0	5	0	2
HSR-6	6	7	3	4	0	6	0	2
HSR-7	7	8	4	4	0	7	0	2

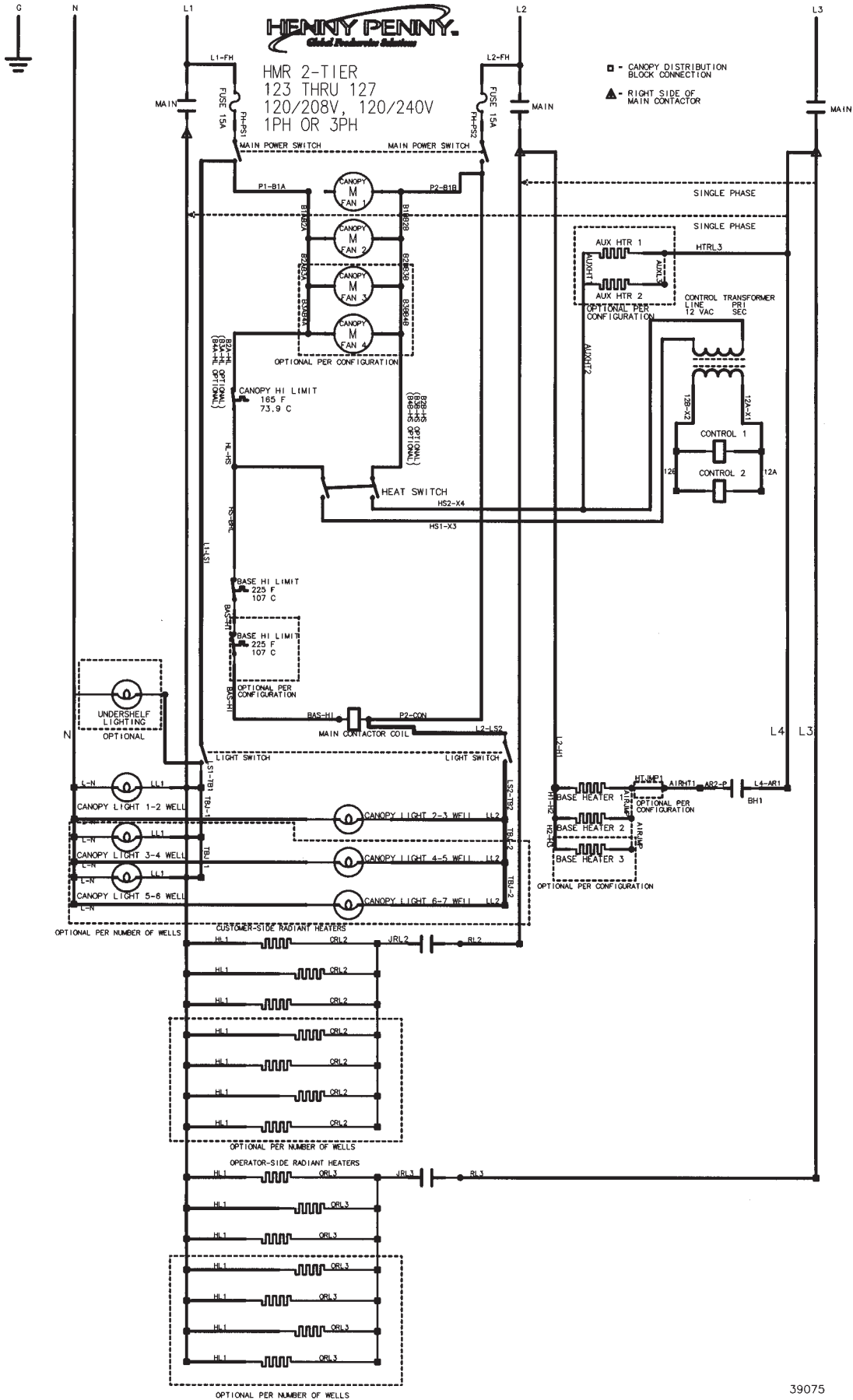
2-21. WIRING DIAGRAMS (Continued)

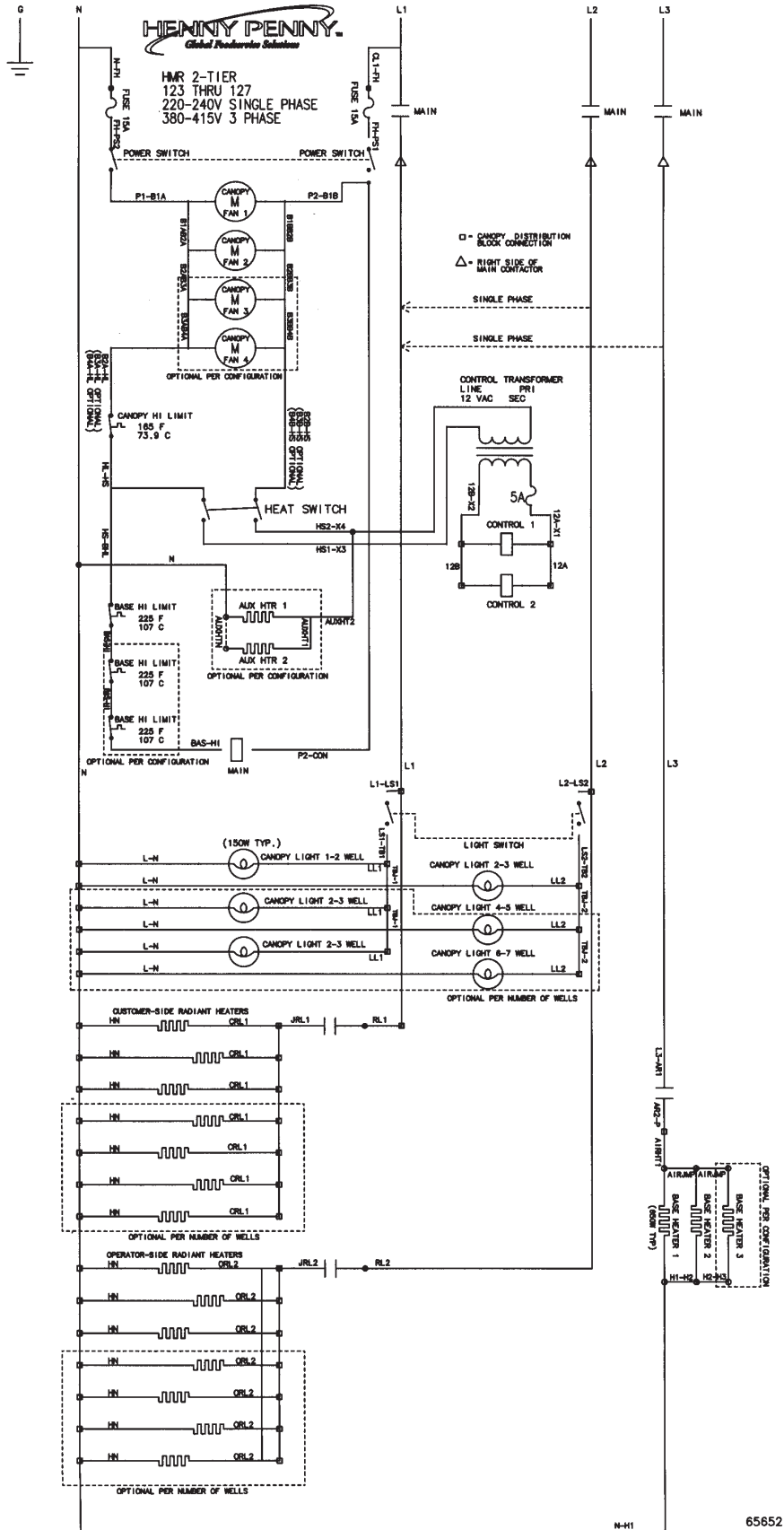


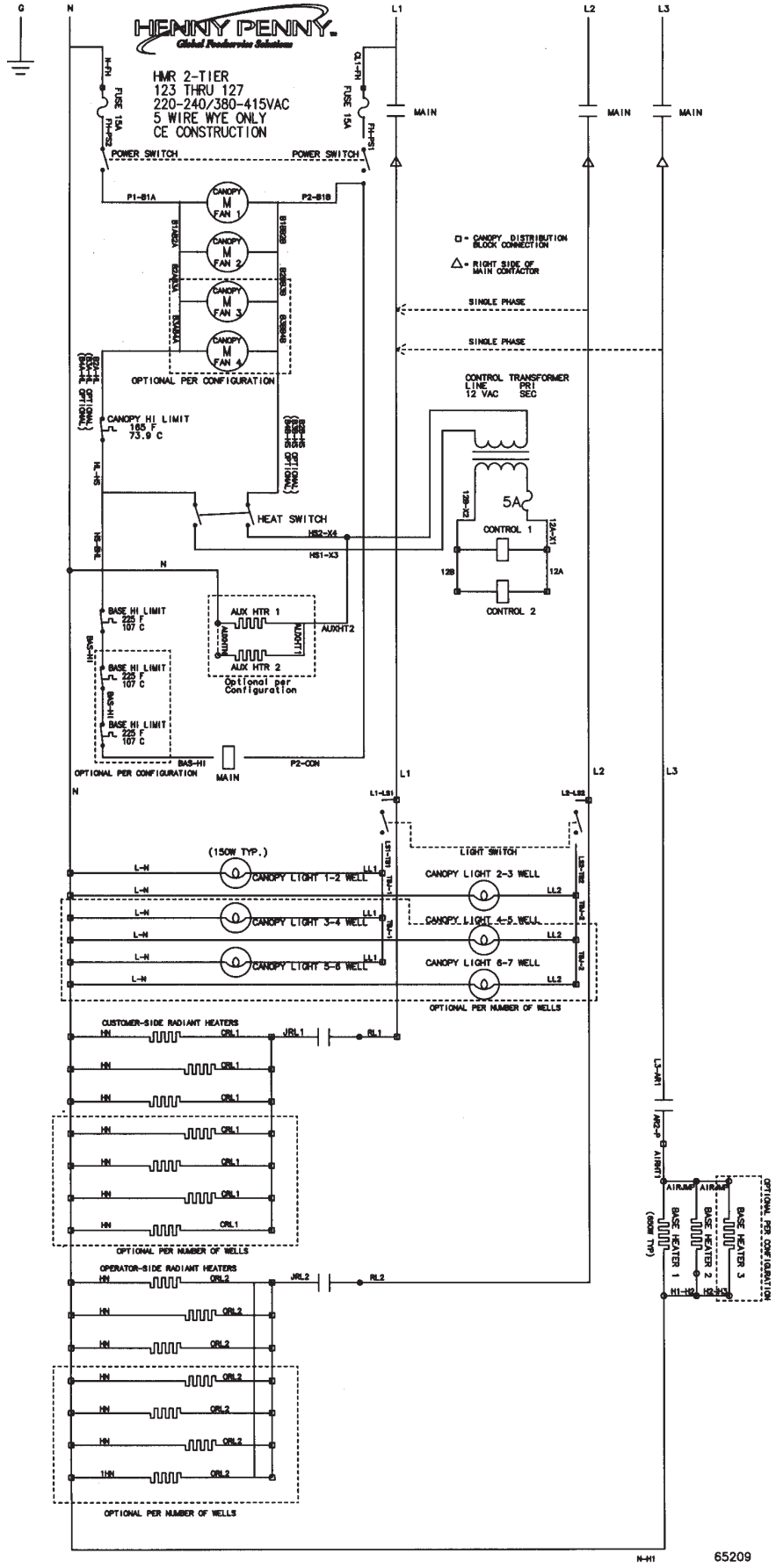
2-21. WIRING DIAGRAMS (Continued)



Product	Quantity of components found in the unit (Domestic Units)							
	Radiant Heaters	Lights	Base Heaters	Canopy Fans	Water Heaters	Controls	Base Fans	Base Hi-Limits
HMR-3	3	4	2	2	1	3	2	1
HMR-4	4	5	2	3	1	4	2	1
HMR-5	5	6	3	4	1	5	2	2
HMR-6	6	7	3	4	2	6	3	2
HMR-7	7	8	4	4	2	7	3	2
CMR-4	4	5	2	3	1	4	1	2
CMR-5	5	6	3	4	1	5	1 or 2	2
CMR-6	6	7	3	4	1 or 2	6	1 or 2	2 or 3
CMR-7	7	8	4	4	1 or 2	7	1 or 2	2 or 3
HSR-3	3	4	2	2	0	3	0	1
HSR-4	4	5	2	3	0	4	0	1
HSR-5	5	6	3	4	0	5	0	2
HSR-6	6	7	3	4	0	6	0	2
HSR-7	7	8	4	4	0	7	0	2







LIMITED WARRANTY FOR HENNY PENNY EQUIPMENT

Subject to the following conditions, Henny Penny Corporation makes the following limited warranties to the original purchaser only for Henny Penny appliances and replacement parts:

NEW EQUIPMENT: Any part of a new appliance, except baskets, lamps, and fuses, which proves to be defective in material or workmanship within two (2) years from date of original installation, will be repaired or replaced without charge F.O.B. factory, Eaton, Ohio, or F.O.B. authorized distributor. Baskets will be repaired or replaced for ninety (90) days from date of original installation. Lamps and fuses are not covered under this Limited Warranty. To validate this warranty, the registration card for the appliance must be mailed to Henny Penny within ten (10) days after installation.

FILTER SYSTEM: Failure of any parts within a fryer filter system caused by the use of the non-OEM filters or other unapproved filters is not covered under this Limited Warranty.

REPLACEMENT PARTS: Any appliance replacement part, except lamps and fuses, which proves to be defective in material or workmanship within ninety (90) days from date of original installation will be repaired or replaced without charge F.O.B. factory, Eaton, Ohio, or F.O.B. authorized distributor.

The warranty for new equipment covers the repair or replacement of the defective part and includes labor charges and maximum mileage charges of 200 miles round trip for a period of one (1) year from the date of original installation.

The warranty for replacement parts covers only the repair or replacement of the defective part and does not include any labor charges for the removal and installation of any parts, travel, or other expenses incidental to the repair or replacement of a part.

EXTENDED FRYPOT WARRANTY: Henny Penny will replace any frypot that fails due to manufacturing or workmanship issues for a period of up to seven (7) years from date of manufacture. This warranty shall not cover any frypot that fails due to any misuse or abuse, such as heating of the frypot without shortening.

0 TO 3 YEARS: During this time, any frypot that fails due to manufacturing or workmanship issues will be replaced at no charge for parts, labor, or freight. Henny Penny will either install a new frypot at no cost or provide a new or reconditioned replacement fryer at no cost.

3 TO 7 YEARS: During this time, any frypot that fails due to manufacturing or workmanship issues will be replaced at no charge for the frypot only. Any freight charges and labor costs to install the new frypot as well as the cost of any other parts replaced, such as insulation, thermal sensors, high limits, fittings, and hardware, will be the responsibility of the owner.

Any claim must be presented to either Henny Penny or the distributor from whom the appliance was purchased. No allowance will be granted for repairs made by anyone else without Henny Penny's written consent. If damage occurs during shipping, notify the sender at once so that a claim may be filed.

THE ABOVE LIMITED WARRANTY SETS FORTH THE SOLE REMEDY AGAINST HENNY PENNY FOR ANY BREACH OF WARRANTY OR OTHER TERM. BUYER AGREES THAT NO OTHER REMEDY (INCLUDING CLAIMS FOR ANY INCIDENTAL OR CONSEQUENTIAL DAMAGES) SHALL BE AVAILABLE.

The above limited warranty does not apply (a) to damage resulting from accident, alteration, misuse, or abuse; (b) if the equipment's serial number is removed or defaced; or (c) for lamps and fuses. THE ABOVE LIMITED WARRANTY IS EXPRESSLY IN LIEU OF ALL OTHER WARRANTIES, EXPRESS OR IMPLIED, INCLUDING MERCHANTABILITY AND FITNESS, AND ALL OTHER WARRANTIES ARE EXCLUDED. HENNY PENNY NEITHER ASSUMES NOR AUTHORIZES ANY PERSON TO ASSUME FOR IT ANY OTHER OBLIGATION OR LIABILITY.

Revised 01/01/07

SECTION 3. PARTS INFORMATION

3-1. INTRODUCTION

This section identifies and lists the replaceable parts of the Henny Penny merchandiser.

3-2. GENUINE PARTS

Use only genuine Henny Penny parts in your cabinet. Using a part of lesser quality or substitute design may result in cabinet damage or personal injury.

3-3. HOW TO ORDER

Once the part you want to order has been found in the Parts List, write down the following information:

1. From the Parts List
(Sample)

Item Number 7
Part Number 40645
Description Relay

2. From the data plate
(Sample)

Product Number HMR104.0
Serial Number AY001JJ
Voltage 102/208V

3-4. PRICES

Your independent Henny Penny distributor has a price parts list and will be glad to inform you of the cost of your parts order.

3-5. DELIVERY

Commonly replaced items are stocked by your independent Henny Penny distributor and will be sent out when your order is received. Other parts will be ordered by the distributor from Henny Penny Corporation. Normally, these will be sent to your distributor within three working days.

3-6. WARRANTY

All replacement parts (except lamps and fuses) are covered under warranty for 90 days against manufacturing defects and workmanship. If damage occurs during shipping, notify the carrier at once so that a claim may be properly filed. Refer to warranty on the front of this section for other rights and limitations.

3-7. RECOMMENDED SPARE PARTS FOR DISTRIBUTORS

Recommended replacement parts, stocked by your distributor, are indicated with √ in the parts lists. Please use care when ordering recommended parts, because all voltages and variations are marked. Distributors should order parts based upon common voltages and equipment sold in their territory.

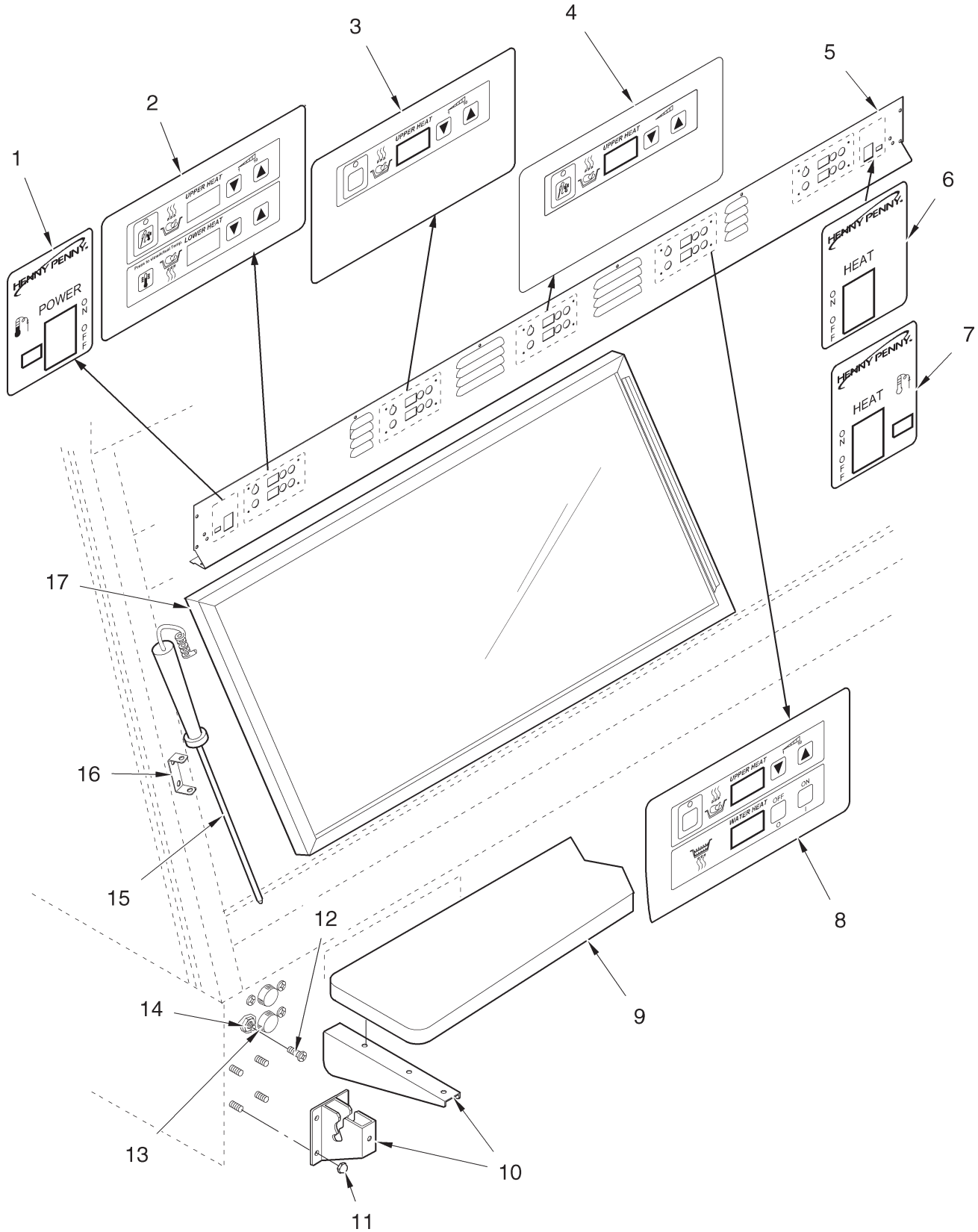


Figure 3-1. Covers, Doors, and Shelves

NO.	NO.	DESCRIPTION	QUANTITY				
			103	104	105	106	107
	3-1	COVERS, DOORS, & SHELVES					
	1	61753 DECAL - POWER WITH PROBE (103, SN CY094JA & BELOW; 104, SN CY074JA & BELOW; 105, SN CY096JA & BELOW; & 106, SN CY106JA & BELOW)	1	1	1	1	1
	2	56349 DECAL - CONTROL - UPPER/AIR	1	1	1	1	1
	3	59302 DECAL - CONTROL RAD. W/O PROBE	1	1	1	1	2
	4	56347 DECAL - CONTROL UPPER HEAT	1	1	2	2	2
	5	56048 REAR COVER - 3 WELL	1	-	-	-	-
	5	56059 REAR COVER - 4 WELL	-	1	-	-	-
	5	56005 REAR COVER - 5 WELL	-	-	1	-	-
	5	56151 REAR COVER - 6 WELL	-	-	-	1	-
	5	56039 REAR COVER - 7 WELL	-	-	-	-	1
	6	59306 DECAL - HEAT SUPPLY W/O PROBE	1	1	1	1	1
	7	61513 DECAL - HEAT SUPPLY WITH PROBE	1	1	1	1	1
	8	59304 DECAL - CONTROL RAD./WATER W/O PROBE	1	1	1	2	2
	9	37224 CUTTING BOARD - WOOD	1	-	-	1	2
	9	38653 CUTTING BOARD ASSY. - POLY.	1	-	-	1	2
	9	58574 CUTTING BOARD - WOOD - 4 WELL	-	1	-	-	-
	9	56129 CUTTING BOARD ASSY. - POLY. - 4 WELL	-	1	-	-	-
	9	37399 CUTTING BOARD - WOOD - 5 WELL	-	-	1	-	-
	9	38654 CUTTING BOARD ASSY. - POLY. - 5 WELL	-	-	1	-	-
	9	58567 CUTTING BOARD - WOOD - 6 WELL	-	-	-	1	-
	9	58606 CUTTING BOARD ASSY. - POLY. - 6 WELL	-	-	-	1	-
	10	37230 BRACKET - CUTTING BOARD	2	2	2	2	2
	11	NS03-044 NUT	8	8	8	8	8
	12	SC01-113 SCREW	4	4	4	4	4
√	13	EF02-006 FUSE HOLDER - 15 AMP (SEE SN CHART ON NEXT PAGE)	2	2	2	2	2
√	13	EF02-104 FUSE HOLDER - 20 AMP - CE	2	2	2	2	2
	14	NS02-005 NUT	4	4	4	4	4
√	15	59363 FOOD PROBE	1	1	1	1	1
	16	42895 FOOD PROBE CLIP	2	2	2	2	2
	17	68045 SLIDING GLASS DOORS - 3 & 6 WELLS	2	-	-	4	-
	17	68047 SLIDING GLASS DOORS - 4 WELL	-	2	-	-	-
	17	68049 SLIDING GLASS DOORS - 5 WELL	-	-	2	-	-
	17	68110 SLIDING GLASS DOORS - 5 WELL - 4 DOOR	-	-	4	-	-
	17	68051 SLIDING GLASS DOORS - 7 WELL	-	-	-	-	4
		22225 --DOOR GLIDE				4 PER DOOR	
		SC01-049 --SCREW #6-32 X 3/8 PH PHD C				4 PER DOOR	
		DOOR TRACKS (SEE NEXT PAGE)					
√	18*	EF02-007 FUSE - 15 AMP (SEE SN CHART ON NEXT PAGE)	2	2	2	2	2
√	18*	EF02-125 BREAKER-PUSH BUTTON RESET	2	2	2	2	2
		(SEE SN CHART ON NEXT PAGE)					
√	18*	EF02-105 FUSE - 15 AMP - CE	2	2	2	2	2
	19*	58497 WELL COVER - 2" - 2 WELL	-	AR	AR	AR	AR
	19*	58498 WELL COVER - 3/8" - 2 WELL	-	AR	AR	AR	AR
	19*	42479 WELL COVER - 3/8" - 3 WELL	AR	-	AR	AR	AR
	19*	42477 WELL COVER - 2" - 3 WELL	AR	-	AR	AR	AR
	19*	58503 WELL COVER - FLAT - 2 WELL	-	AR	AR	AR	AR
	19*	58504 WELL COVER - FLAT - 3 WELL	AR	-	AR	AR	AR
	20*	54003 ADJUSTABLE LEGS (OPTIONAL)	4	4	6	6	6
	21*	64175 SPLATTER GUARD - HMR-103	1	-	-	-	-
	21*	64176 SPLATTER GUARD - HMR-104	-	1	-	-	-
	21*	64177 SPLATTER GUARD - HMR-105	-	-	1	-	-
	21*	64178 SPLATTER GUARD - HMR-106	-	-	-	1	-
	21*	64179 SPLATTER GUARD - HMR-107	-	-	-	-	1

Fuse, Fuse Holder and Breaker SN Chart

MODELS	PART #	
	EF02-006 & EF02-007	EF02-125
HMR103	HA0703010 & below	HA0703011 & above
HMR104	HA0704031 & below	HA0704032 & above
HMR105	HA0702057 & below	HA0702058 & above
HMR106	HA0703035 & below	HA0703036 & above
HMR107	HA0704034 & below	HA0704035 & above

FIG. & ITEM NO.	PART NO.	DESCRIPTION	QUANTITY				
			103	104	105	106	107
1*	56595-001	LOWER DOOR TRACK-HMR-103	1	-	-	-	-
2*	56595-002	LOWER DOOR TRACK-HMR-104	-	1	-	-	-
3*	56595-003	LOWER DOOR TRACK-HMR-105	-	-	1	-	-
4*	56595-004	LOWER DOOR TRACK-HMR-106	-	-	-	1	-
5*	56595-005	LOWER DOOR TRACK-HMR-107	-	-	-	-	1
1*	56238	UPPER DOOR TRACK-HMR-103	1	-	-	-	-
2*	56237	UPPER DOOR TRACK-HMR-104	-	1	-	-	-
3*	56236	UPPER DOOR TRACK-HMR-105	-	-	1	-	-
4*	56235	UPPER DOOR TRACK-HMR-106	-	-	-	1	-
5*	56234	UPPER DOOR TRACK-HMR-107	-	-	-	-	1
6*	SC01-003	SCREW #6-32 X 3/8 PH FLAT HD	8	10	12	14	16
7*	NS02-005	NUT HEX KEPS #6-32 C	4	5	6	7	8
8*	NS03-063	6-32 HI-CROWN ACORN NUT SS	4	5	6	7	8

√ recommended parts/*not shown

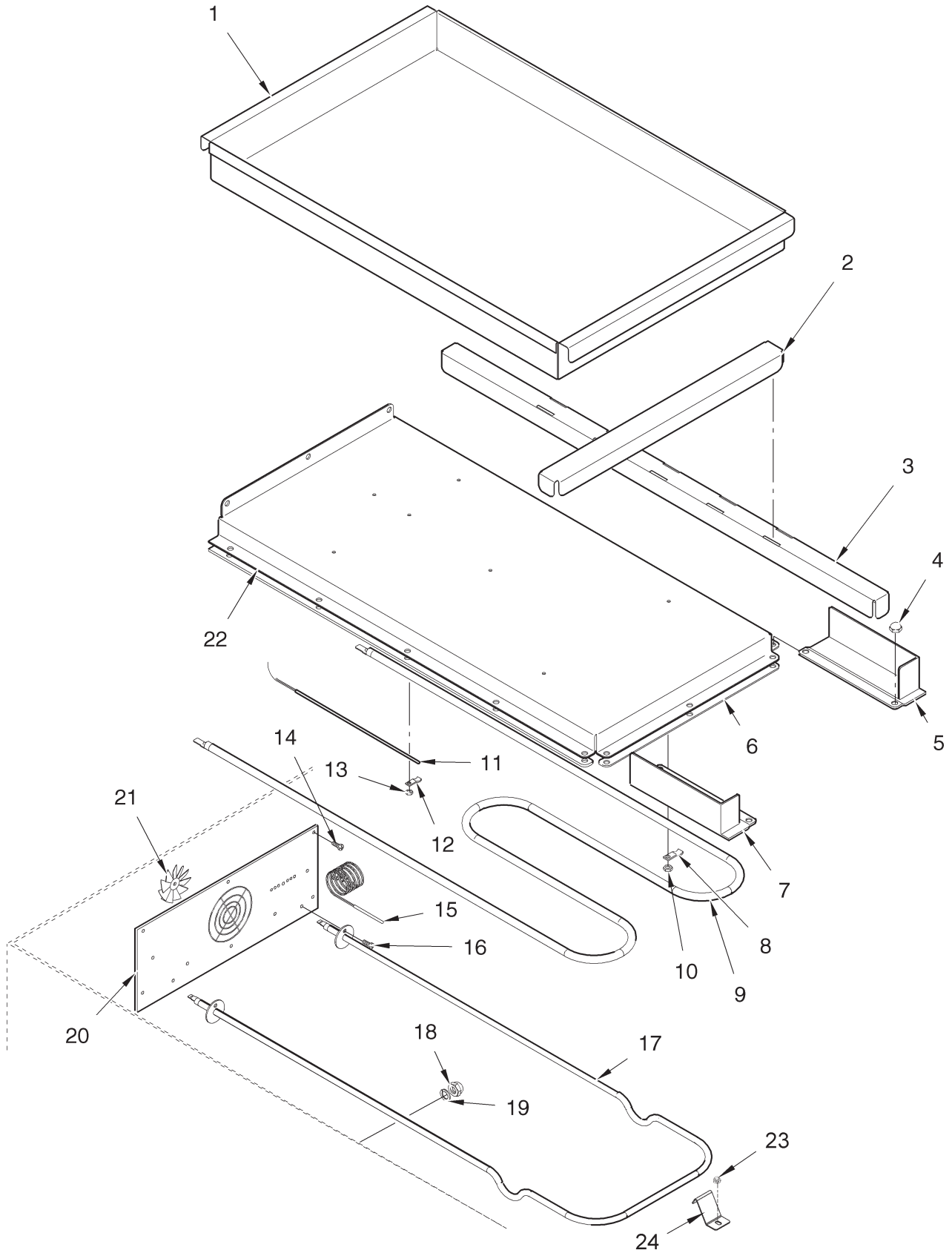


Figure 3-2. Well Interior

FIG. & ITEM NO.	PART NO.	DESCRIPTION	QUANTITY				
			103	104	105	106	107
3-2		WELL INTERIOR					
1	59315	WATER PAN (SMALL SERVICE ONLY)	1	1	1	2	2
1	91963	WATER PAN (STANDARD)	1	1	1	2	2
2	37371	PAN CROSS SUPPORT - SHORT	6	8	10	12	14
3	37159	PAN SUPPORT - LONG	6	8	10	12	14
3	14462	KIT - HMR10X - SUPPORT-PAN/SHELF MTG (USE WITH 14463 & 14464)	1	1	1	1	1
4	NS03-002	ACORN NUT - #10-24 C	13	13	13	13	26
5	63440	RH LOCATOR - WATER PAN (SERVICE ONLY)	1	1	1	1	2
5	91977	LOCATOR - WATER PAN (STANDARD)	2	2	2	4	4
5	91978	LOCATOR-WATER PAN (CAMBO)	AS REQUIRED				
6	56862	GASKET - WATER PAN	1	1	1	1	2
7	63441	LH LOCATOR - WATER PAN (SERVICE ONLY)	1	1	1	1	2
8	56354	WATER HEATER CLIP	5	5	5	5	10
√ 9	56310-01	WATER PAN HEATER - 230V-400W (UNDER 58564)	1	1	1	1	2
√ 9	56310-02	WATER PAN HEATER - 208V-400W (UNDER 58564)	1	1	1	1	2
10	NS02-005	NUT	5	5	5	5	10
√ 11	26252	PROBE - 6" - WATER PAN	1	1	1	1	2
12	MS01-462	TUBE CLAMP	2	2	2	2	4
13	NS02-005	NUT	2	2	2	2	4
14	SC02-041	SCREW	12	12	12	18	18
√ 15	56166	PROBE - 3"	1	1	1	1	1
16	SC02-041	SCREW	4	4	6	6	8
√ 17	56240-01	LOWER HEATER - 208V-650W	2	2	3	3	4
√ 17	56240-02	LOWER HEATER - 240V-650W	2	2	3	3	4
18	NS03-023	ACORN NUT	6	6	6	6	6
19	LW01-013	LOCKWASHER	6	6	6	6	6
20	16685	FAN GUARD	2	2	2	3	3
21	39974	FAN BLADE	2	2	2	3	3
22	58564	WATER PAN HEATER SUPPORT	1	1	1	1	2
23	NS03-044	NUT - ACORN #10-24 STAINLESS STL	2	2	3	3	4
24	66800	BRACE - BASE AIR HEATER	2	2	3	3	4
25*	14463	KIT-2 WELL WIRE SHELF & GLIDES (USE WITH 14462)	1	1	1	1	1
25*	14464	KIT-3 WELL WIRE SHELF & GLIDES (USE WITH 14462)	1	1	1	1	1

√ recommended parts
*not shown

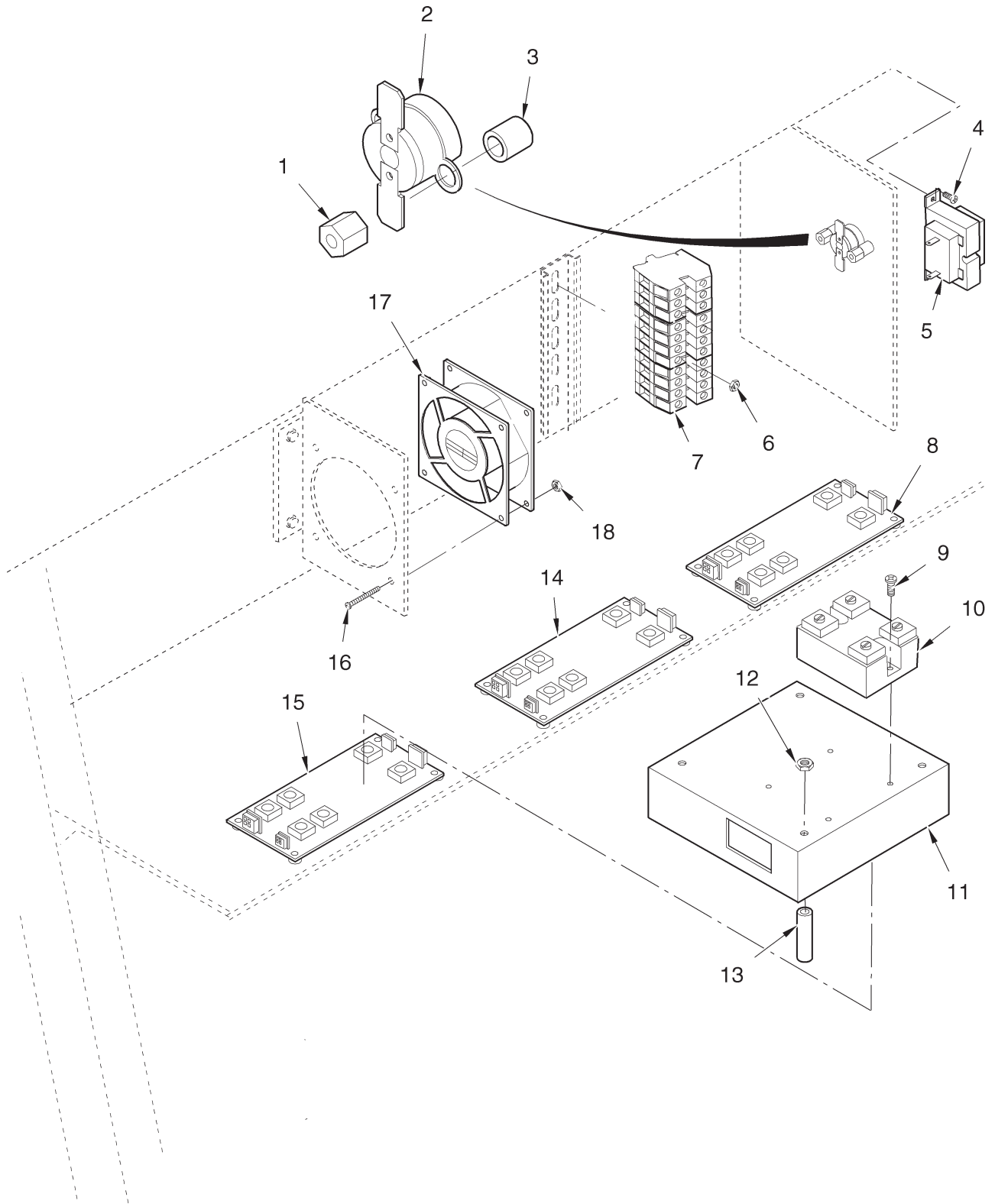


Figure 3-3. Upper Control Panel

FIG. &

ITEM NO.	PART NO.	DESCRIPTION	QUANTITY				
			103	104	105	106	107
3-3		UPPER CONTROL PANEL					
1	ME50-023	STANDOFF	2	2	4	4	4
√ 2	58670	HIGH LIMIT - 165° F	1	1	2	2	2
√ 2	14257	HIGH LIMIT KIT-MANUAL RESET TO AUTO RESET	AR	AR	AR	AR	AR
3	ME50-011	SPACER	2	2	4	4	4
4	SC02-041	SCREW	2	2	2	2	2
√ 5	28979	TRANSFORMER - 208/240V	1	1	1	1	1
6	NS02-006	NUT	6	8	10	12	14
7	56174	TERMINAL BLOCK ASSEMBLY	3	4	5	6	7
7	56175	TERMINAL BLOCK ASSEMBLY - CE	3	4	5	6	7
√ 8	55101	CONTROL PC BOARD - RADIANT/AIR HEAT	1	1	1	1	1
√ 8	63911	CONTROL PC BOARD - RADIANT/AIR HEAT - CE	1	1	1	1	1
9	SC04-001	SCREW	10	12	14	20	20
√ 10	40645	RELAY	5	6	7	10	10
11	64256	PC BOARD COVER	1	2	3	3	4
12	NS02-005	NUT	4	8	12	12	16
13	ME50-014	SPACER	4	8	12	12	16
√ 14	55102	CONTROL PC BOARD - RADIANT/WATER HEAT	1	1	1	2	2
√ 14	63912	CONTROL PC BOARD - RADIANT/WATER HEAT - CE	1	1	1	2	2
√ 15	55100	CONTROL PC BOARD - RADIANT HEAT	1	2	3	3	4
√ 15	63910	CONTROL PC BOARD - RADIANT HEAT - CE	1	2	3	3	4
16	SC01-003	SCREW	4	8	8	8	8
√ 17	16688	COOLING FAN - 220V	2	3	4	4	4
18	NS02-005	NUT	4	4	8	8	8

√ recommended parts

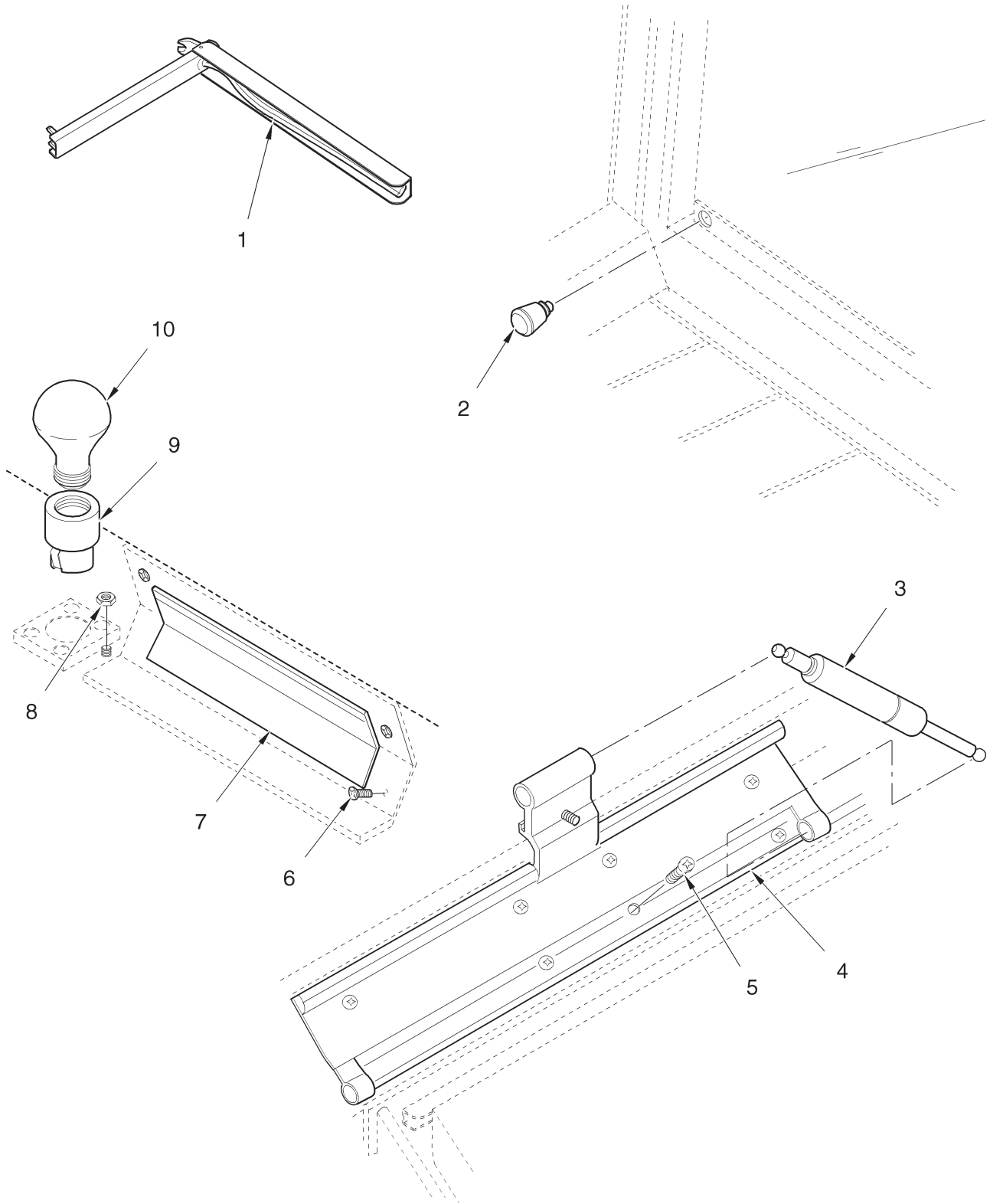


Figure 3-4. Under Canopy & Glass (Sheet 1 of 2)

FIG. &

ITEM NO.	PART NO.	DESCRIPTION	QUANTITY					
			103	104	105	106	107	
3-4	SHEET 1	UNDER CANOPY & GLASS						
√ 1	56878	GAS RAM INSTALLATION TOOL	AR	AR	AR	AR	AR	AR
2	56883	SIDE GLASS RETAINER - SPRING LOADED	2	2	2	2	2	2
3	56343-001	GAS RAM - 100N	<i>REFER TO SELECTION CHART ON THE FOLLOWING TWO PAGES TO CHOOSE THE REQUIRED RAMS.</i>					
3	56343-002	GAS RAM - 200N						
3	56343-003	GAS RAM - 300N						
3	56343-004	GAS RAM - 400N						
3	56343-005	GAS RAM - 500N						
4	56345	LIFT ELEMENT	2	3	3	3	4	
5	SC03-004	SCREW	16	24	24	24	32	
6	SC02-041	SCREW	12	16	20	24	28	
√ 7	14339	KIT - HEATER - RADIANT - 208V-510W	3	4	5	6	7	
√ 7	14340	KIT - HEATER - RADIANT - 230V-510W	3	4	5	6	7	
√ 7	14341	KIT - HEATER - RADIANT - 240V-260W - CE	3	4	5	6	7	
√ 7	14342	KIT - HEATER - RADIANT - 208V-260W - CE	3	4	5	6	7	
8	NS02-006	NUT	4	6	8	10	12	
√ 9	39795	LIGHT SOCKET - DOMESTIC/NON-CE - AUG, 2000 & AFTER	4	5	6	7	8	
√ 9	14295	LIGHT SOCKET KIT-DOMESTIC/NON-CE.- BEFORE AUG, 2000	4	5	6	7	8	
√ 9	54041	LIGHT SOCKET - CE	4	5	6	7	8	
√ 10	BL01-018	LIGHT BULB-JACKETED-HALOGEN-130V-90W	4	5	6	7	8	
√ 10	BL01-017	LIGHT BULB-JACKETED-HALOGEN-230V-150W-CE	4	5	6	7	8	
11*	56800	SIDE GLASS INSULATOR - CE	2	2	2	2	2	

(INCREASED LIGHT BULB QTY. BY 2 TO SHOWN QTYS. AT SN: HA0608001 & ABOVE)

√ recommended parts

*not shown

GAS RAM IDENTIFICATION CHART - SHEET 1 OF 2

Refer to Columns 1 and 2 in the chart below to identify the correct canopy glass assembly(s) on your unit. Then move to the right to Column 3 to identify the correct gas ram configuration -- the quantity and strength of the gas ram(s) needed -- for your unit. Gas ram configuration is as viewed from the customer side.

Column 1	Column 2						Column 3
Glass Part No.	Brand	Profile	Wells	Type	Position	Combo	Gas Ram Qty. of Gas Shocks
58607-001	HP	Curved	2	Full			4/200N
58607-002	HP	Curved	3	Full			4/200N
58607-003	HP	Curved	4	Full			4/400N
58607-004	HP	Curved	5	Full			6/300N
58607-005	HP	Curved	6	Full			4/300N
58607-006	HP	Curved	7	Full			8/300N
58607-007	HP	Curved	2	Self	END	YES	1/100N
58607-008	HP	Curved	3	Self	END	YES	2/100N
58607-009	HP	Curved	2	Self	CTR	YES	1/100N
58607-010	HP	Curved	3	Self	CTR	YES	1/100N
58607-011	HP	Curved	3	Self			1/200N
58607-012	HP	Curved	4	Self			2/100N
58607-013	HP	Curved	5	Self			3/100N
58607-014	HP	Curved	6	Self			8/100N
58607-015	HP	Curved	7	Self			4/200N
58607-016	Hussman	Vision	2	Full			4/300N
58607-017	Hussman	Vision	3	Full			4/400N
58607-018	Hussman	Vision	4	Full			6/400N
58607-019	Hussman	Vision	5	Full			1/500N, 1/400N 2/500N, 1/400N 1/500N
58607-020	Hussman	Vision	6	Full			8/400N
58607-021	Hussman	Vision	7	Full			12/300N
58607-022	Hussman	Vision	2	Self	END	YES	1/100N
58607-023	Hussman	Vision	3	Self	END	YES	2/100N
58607-024	Hussman	Vision	2	Self	CTR	YES	1/100N
58607-025	Hussman	Vision	3	Self	CTR	YES	2/100N
58607-026	Hussman	Vision	3	Self			2/100N
58607-027	Hussman	Vision	4	Self			2/100N
58607-028	Hussman	Vision	5	Self			2/300N
58607-029	Hussman	Vision	6	Self			8/100N
58607-030	Hussman	Vision	7	Self			4/100N
58607-031		Flat	2	Full			4/200N
58607-032		Flat	3	Full			4/300N
58607-033		Flat	4	Full			4/300N, 2/200N
58607-034		Flat	5	Full			2/400N, 4/300N
58607-035		Flat	6	Full			8/300N
58607-036		Flat	7	Full			8/400N
58607-037		Flat	2	Self	END	YES	1/100N

Continued on next page....

GAS RAM IDENTIFICATION CHART - SHEET 2 OF 2

Refer to Columns 1 and 2 in the chart below to identify the correct canopy glass assembly(s) on your unit. Then move to the right to Column 3 to identify the correct gas ram configuration -- the quantity and strength of the gas ram(s) needed -- for your unit. Gas ram configuration is as viewed from the customer side.

Column 1 Glass Part No.	Column 2 Glass Description						Column 3 Gas Ram Qty. of Gas Shocks
	Brand	Profile	Wells	Type	Position	Combo	
58607-038		FLAT	3	SELF	END	YES	2/100N
58607-039		FLAT	2	SELF	CTR	YES	1/100N
58607-040		FLAT	3	SELF	CTR	YES	2/100N
58607-041		FLAT	3	SELF			2/100N
58607-042		FLAT	4	SELF			2/100N
58607-043		FLAT	5	SELF			2/200N
58607-044		FLAT	6	SELF			8/100N
58607-045		FLAT	7	SELF			4/100N
58607-046	TYLER	ADVANTAGE	2	FULL			1/300N, 2/200N, 1/300N
58607-047	TYLER	ADVANTAGE	3	FULL			2/500N, 1/400N, 1/500N
58607-048	TYLER	ADVANTAGE	4	FULL			2/400N, 1/400N, 1/300N, 2/400N
58607-049	TYLER	ADVANTAGE	5	FULL			2/500N, 2/400N, 2/500N
58607-050	TYLER	ADVANTAGE	6	FULL			8/400N
58607-051	TYLER	ADVANTAGE	7	FULL			8/300N, 4/200N
58607-052	TYLER	ADVANTAGE	2	SELF	END	YES	1/200N
58607-053	TYLER	ADVANTAGE	3	SELF	END	YES	2/100N
58607-054	TYLER	ADVANTAGE	2	SELF	CTR	YES	1/200N
58607-055	TYLER	ADVANTAGE	3	SELF	CTR	YES	2/100N
58607-056	TYLER	ADVANTAGE	3	SELF			2/100N
58607-057	TYLER	ADVANTAGE	4	SELF			2/200N
58607-058	TYLER	ADVANTAGE	5	SELF			2/200N
58607-059	TYLER	ADVANTAGE	6	SELF			4/200N
58607-060	TYLER	ADVANTAGE	7	SELF			4/200N
58607-061	HUSSMAN	VISION	3	FULL	NON-GLARE		4/400N
58607-062	HUSSMAN	VISION	5	FULL	NON-GLARE		1/500N, 1/400N, 2/500N, 1/400N, 1/500N
58607-063	HUSSMAN	VISION	7	FULL	NON-GLARE		12/300N
58607-064		FLAT	3		NON-GLARE		4/400N
58607-065		FLAT	5		NON-GLARE		4/400N, 2/300N
58607-066		FLAT	7		NON-GLARE		8/400N

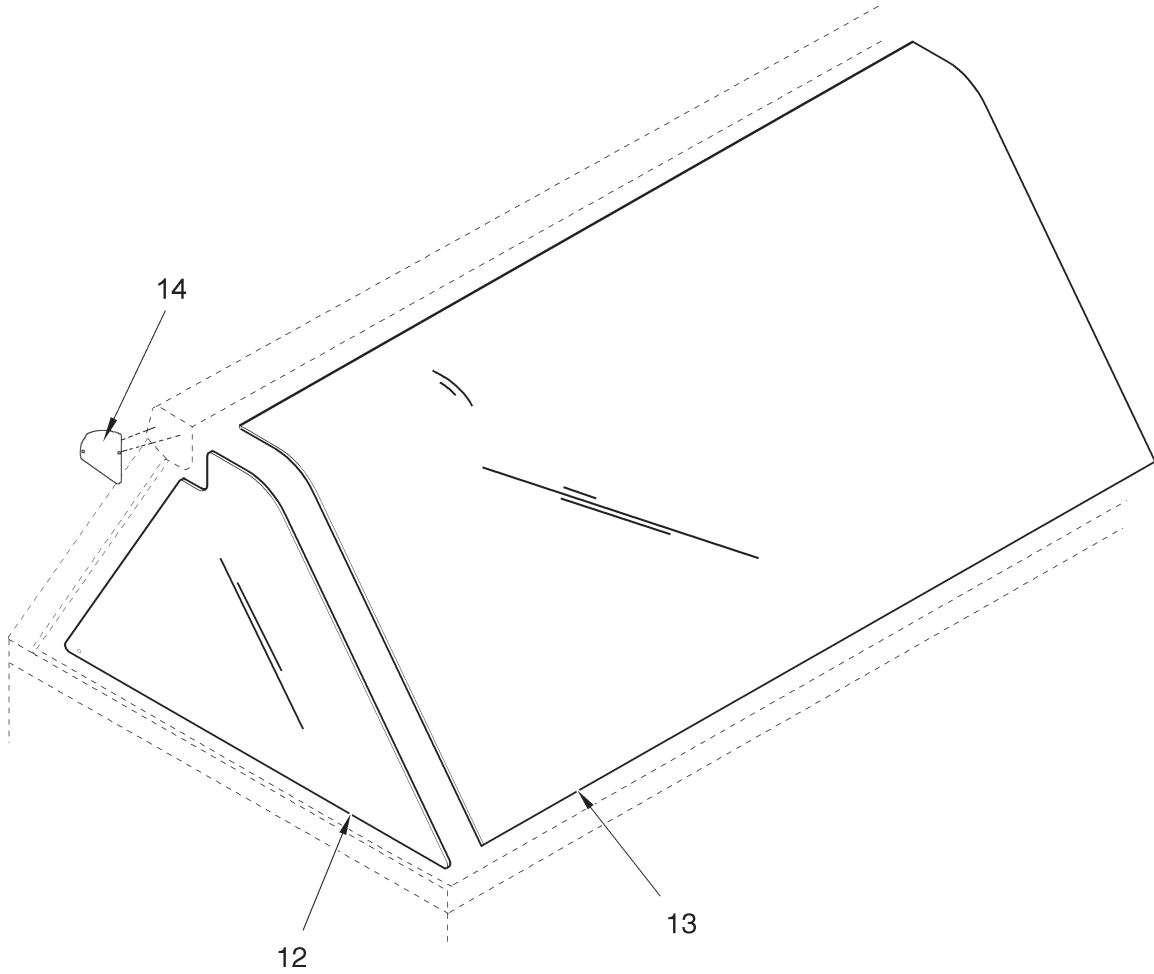


Figure 3-4. Under Canopy & Glass (Sheet 2 of 2)

ITEM NO.	PART NO.	DESCRIPTION	QUANTITY				
			103	104	105	106	107
12	56242-001	SIDE GLASS-FLAT-CLEAR	2	2	2	2	2
12	56242-002	SIDE GLASS-FLAT-MIRRORED - LH	1	1	1	1	1
12	56242-003	SIDE GLASS-FLAT-MIRRORED - RH	1	1	1	1	1
12	56242-004	SIDE GLASS-FLAT-LOW-E - LH	1	1	1	1	1
12	56242-005	SIDE GLASS-FLAT-LOW-E - RH	1	1	1	1	1
12	56242-006	SIDE GLASS-FLAT-MIRRORED - RH	1	1	1	1	1
12	56050-001	SIDE GLASS-HP PROFILE- CLEAR	2	2	2	2	2
12	56050-002	SIDE GLASS-HP PROFILE-MIRRORED - LH	1	1	1	1	1
12	56050-003	SIDE GLASS-HP PROFILE-MIRRORED - RH	1	1	1	1	1
12	56050-004	SIDE GLASS-HP PROFILE-LOW-E - LH	1	1	1	1	1
12	56050-005	SIDE GLASS-HP PROFILE-LOW-E - RH	1	1	1	1	1
12	56050-006	SIDE GLASS-HP PROFILE-MIRRORED-ANTIQU WHITE - LH	1	1	1	1	1
12	56050-007	SIDE GLASS-HP PROFILE-MIRRORED-ANTIQU WHITE - RH	1	1	1	1	1

FIG. &

ITEM NO.	PART NO.	DESCRIPTION	QUANTITY					
			103	104	105	106	107	
3-4	SHEET 2	UNDER CANOPY AND GLASS (CONTD)						
12	56050-008	SIDE GLASS-HP PROFILE-MIRRORED-SHADOW BLACK - LH	1	1	1	1	1	1
12	56050-009	SIDE GLASS-HP PROFILE-MIRRORED-SHADOW BLACK - RH	1	1	1	1	1	1
12	56241-001	SIDE GLASS-HUSSMAN (VISION PROFILE)-CLEAR	2	2	2	2	2	2
12	56241-002	SIDE GLASS-HUSSMAN (VISION PROFILE)- MIRRORED - LH	1	1	1	1	1	1
12	56241-003	SIDE GLASS-HUSSMAN (VISION PROFILE)- MIRRORED - RH	1	1	1	1	1	1
12	56241-004	SIDE GLASS-HUSSMAN (VISION PROFILE)- LOW-E - LH	1	1	1	1	1	1
12	56241-005	SIDE GLASS-HUSSMAN (VISION PROFILE)- LOW-E - RH	1	1	1	1	1	1
12	56239-001	SIDE GLASS-TYLER (ADVANTAGE PROFILE)-CLEAR	2	2	2	2	2	2
12	56239-002	SIDE GLASS-TYLER (ADVANTAGE PROFILE)- MIRRORED - LH	1	1	1	1	1	1
12	56239-003	SIDE GLASS-TYLER (ADVANTAGE PROFILE)- MIRRORED - RH	1	1	1	1	1	1
12	56239-004	SIDE GLASS-TYLER (ADVANTAGE PROFILE)- LOW-E - LH	1	1	1	1	1	1
12	56239-005	SIDE GLASS-TYLER (ADVANTAGE PROFILE)- LOW-E - RH	1	1	1	1	1	1
13	58607-001	HP (CURVED PROFILE) - 2 WELL - FULL SERVE	1	1	1	1	1	1
13	58607-002	HP (CURVED PROFILE) - 3 WELL - FULL SERVE	1	1	1	1	1	1
13	58607-003	HP (CURVED PROFILE) - 4 WELL - FULL SERVE	1	1	1	1	1	1
13	58607-004	HP (CURVED PROFILE) - 5 WELL - FULL SERVE	1	1	1	1	1	1
13	58607-005	HP (CURVED PROFILE) - 6 WELL - FULL SERVE	1	1	1	1	1	1
13	58607-006	HP (CURVED PROFILE) - 7 WELL - FULL SERVE (2 PER UNIT)	2	2	2	2	2	2
13	58607-007	HP (CURVED PROFILE) - 2 WELL - SELF SERVE- END (COMBO UNITS ONLY)	1	1	1	1	1	1
13	58607-008	HP (CURVED PROFILE) - 3 WELL - SELF SERVE- END (COMBO UNITS ONLY)	1	1	1	1	1	1
13	58607-009	HP (CURVED PROFILE) - 2 WELL - SELF SERVE- CTR (COMBO UNITS ONLY)	1	1	1	1	1	1
13	58607-010	HP (CURVED PROFILE) - 3 WELL - SELF SERVE- CTR (COMBO UNITS ONLY)	1	1	1	1	1	1
13	58607-011	HP (CURVED PROFILE) - 3 WELL - SELF SERVE	1	1	1	1	1	1
13	58607-012	HP (CURVED PROFILE) - 4 WELL - SELF SERVE	1	1	1	1	1	1
13	58607-013	HP (CURVED PROFILE) - 5 WELL - SELF SERVE	1	1	1	1	1	1
13	58607-014	HP (CURVED PROFILE) - 6 WELL - SELF SERVE (2 PER UNIT)	2	2	2	2	2	2

FIG. &

ITEM NO.	PART NO.	DESCRIPTION	QUANTITY					
			103	104	105	106	107	
3-4	SHEET 2	UNDER CANOPY AND GLASS (CONTD)						
13	58607-015	HP (CURVED PROFILE) - 7 WELL - SELF SERVE (2 PER UNIT)	2	2	2	2	2	
13	58607-016	HUSSMAN (VISION PROFILE) - 2 WELL - FULL SERVE	1	1	1	1	1	
13	58607-017	HUSSMAN (VISION PROFILE) - 3 WELL - FULL SERVE	1	1	1	1	1	
13	58607-018	HUSSMAN (VISION PROFILE) - 4 WELL - FULL SERVE	1	1	1	1	1	
13	58607-019	HUSSMAN (VISION PROFILE) - 5 WELL - FULL SERVE	1	1	1	1	1	
13	58607-020	HUSSMAN (VISION PROFILE) - 6 WELL - FULL SERVE (2 PER UNIT)	2	2	2	2	2	
13	58607-021	HUSSMAN (VISION PROFILE) - 7 WELL - FULL SERVE (2 PER UNIT)	2	2	2	2	2	
13	58607-022	HUSSMAN (VISION PROFILE) - 2 WELL - SELF SERVE-END (COMBO UNITS ONLY)	1	1	1	1	1	
13	58607-023	HUSSMAN (VISION PROFILE) - 3 WELL - SELF SERVE-END (COMBO UNITS ONLY)	1	1	1	1	1	
13	58607-024	HUSSMAN (VISION PROFILE) - 2 WELL - SELF SERVE-CTR (COMBO UNITS ONLY)	1	1	1	1	1	
13	58607-025	HUSSMAN (VISION PROFILE) - 3 WELL - SELF SERVE-CTR (COMBO UNITS ONLY)	1	1	1	1	1	
13	58607-026	HUSSMAN (VISION PROFILE) - 3 WELL - SELF SERVE	1	1	1	1	1	
13	58607-027	HUSSMAN (VISION PROFILE) - 4 WELL - SELF SERVE	1	1	1	1	1	
13	58607-028	HUSSMAN (VISION PROFILE) - 5 WELL - SELF SERVE	1	1	1	1	1	
13	58607-029	HUSSMAN (VISION PROFILE) - 6 WELL - SELF SERVE (2 PER UNIT)	2	2	2	2	2	
13	58607-030	HUSSMAN (VISION PROFILE) - 7 WELL - SELF SERVE (2 PER UNIT)	2	2	2	2	2	
13	58607-031	FLAT PROFILE - 2 WELL - FULL SERVE	1	1	1	1	1	
13	58607-032	FLAT PROFILE - 3 WELL - FULL SERVE	1	1	1	1	1	
13	58607-033	FLAT PROFILE - 4 WELL - FULL SERVE	1	1	1	1	1	
13	58607-034	FLAT PROFILE - 5 WELL - FULL SERVE	1	1	1	1	1	
13	58607-035	FLAT PROFILE - 6 WELL - FULL SERVE (2 PER UNIT)	2	2	2	2	2	
13	58607-036	FLAT PROFILE - 7 WELL - FULL SERVE (2 PER UNIT)	2	2	2	2	2	
13	58607-037	FLAT PROFILE - 2 WELL - SELF SERVE-END (COMBO UNITS ONLY)	1	1	1	1	1	
13	58607-038	FLAT PROFILE - 3 WELL - SELF SERVE-END (COMBO UNITS ONLY)	1	1	1	1	1	

FIG. & ITEM	PART NO.	DESCRIPTION	QUANTITY				
			103	104	105	106	107
3-4	SHEET 2	UNDER CANOPY AND GLASS (CONTD)					
13	58607-039	FLAT PROFILE - 2 WELL - SELF SERVE-CTR (COMBO UNITS ONLY)	1	1	1	1	1
13	58607-040	FLAT PROFILE - 3 WELL - SELF SERVE-CTR (COMBO UNITS ONLY)	1	1	1	1	1
13	58607-041	FLAT PROFILE - 3 WELL - SELF SERVE	1	1	1	1	1
13	58607-042	FLAT PROFILE - 4 WELL - SELF SERVE	1	1	1	1	1
13	58607-043	FLAT PROFILE - 5 WELL - SELF SERVE	1	1	1	1	1
13	58607-044	FLAT PROFILE - 6 WELL - SELF SERVE (2 PER UNIT)	2	2	2	2	2
13	58607-045	FLAT PROFILE - 7 WELL - SELF SERVE (2 PER UNIT)	2	2	2	2	2
13	58607-046	TYLER (ADVANTAGE PROFILE) - 2 WELL - FULL SERVE	1	1	1	1	1
13	58607-047	TYLER (ADVANTAGE PROFILE) - 3 WELL - FULL SERVE	1	1	1	1	1
13	58607-048	TYLER (ADVANTAGE PROFILE) - 4 WELL - FULL SERVE	1	1	1	1	1
13	58607-049	TYLER (ADVANTAGE PROFILE) - 5 WELL - FULL SERVE	1	1	1	1	1
13	58607-050	TYLER (ADVANTAGE PROFILE) - 6 WELL - FULL SERVE (2 PER UNIT)	2	2	2	2	2
13	58607-051	TYLER (ADVANTAGE PROFILE) - 7 WELL - FULL SERVE (2 PER UNIT)	2	2	2	2	2
13	58607-052	TYLER (ADVANTAGE PROFILE) - 2 WELL - SELF SERVE-END (COMBO UNITS ONLY)	1	1	1	1	1
13	58607-053	TYLER (ADVANTAGE PROFILE) - 3 WELL - SELF SERVE-END (COMBO UNITS ONLY)	1	1	1	1	1
13	58607-054	TYLER (ADVANTAGE PROFILE) - 2 WELL - SELF SERVE-CTR (COMBO UNITS ONLY)	1	1	1	1	1
13	58607-055	TYLER (ADVANTAGE PROFILE) - 3 WELL - SELF SERVE-CTR (COMBO UNITS ONLY)	1	1	1	1	1
13	58607-056	TYLER (ADVANTAGE PROFILE) - 3 WELL - SELF SERVE	1	1	1	1	1
13	58607-057	TYLER (ADVANTAGE PROFILE) - 4 WELL - SELF SERVE	1	1	1	1	1
13	58607-058	TYLER (ADVANTAGE PROFILE) - 5 WELL - SELF SERVE	1	1	1	1	1
13	58607-059	TYLER (ADVANTAGE PROFILE) - 6 WELL - SELF SERVE (2 PER UNIT)	2	2	2	2	2
13	58607-060	TYLER (ADVANTAGE PROFILE) - 7 WELL - SELF SERVE (2 PER UNIT)	2	2	2	2	2

FIG. &

ITEM NO.	PART NO.	DESCRIPTION	QUANTITY					
			103	104	105	106	107	
3-4	SHEET 2	UNDER CANOPY AND GLASS (CONTD)						
13	58607-061	HUSSMAN (VISION PROFILE) - 3 WELL - FULL SERVE-NON-GLARE	1	1	1	1	1	
13	58607-062	HUSSMAN (VISION PROFILE) - 5 WELL - FULL SERVE-NON-GLARE	1	1	1	1	1	
13	58607-063	HUSSMAN (VISION PROFILE)-7 WELL-FULL SERVE-NON-GLARE (2 PER UNIT)	2	2	2	2	2	
13	58607-064	FLAT PROFILE - 3 WELL - NON-GLARE	1	1	1	1	1	
13	58607-065	FLAT PROFILE - 5 WELL - NON-GLARE	1	1	1	1	1	
13	58607-066	FLAT PROFILE - 7 WELL - NON-GLARE (2 PER UNIT)	2	2	2	2	2	
14	56231	END CAP	2	2	2	2	2	
15*	56053	DIVIDER GLASS - HP PROFILE - COMBO UNITS	1	1	1	1	1	
15*	56243	DIVIDER GLASS - HUSSMAN (VISION PROFILE) - COMBO UNITS	1	1	1	1	1	
15*	56244	DIVIDER GLASS - TYLER (ADVANTAGE PROFILE) - COMBO UNITS	1	1	1	1	1	
15*	56245	DIVIDER GLASS - FLAT PROFILE - COMBO UNITS	1	1	1	1	1	
16*	14618	SNEEZE GUARD KIT - HMR-103	1	-	-	-	-	
16*	63191	SNEEZE GUARD ASSEMBLY - HMR-103	1	-	-	-	-	
16*	14623	SNEEZE GUARD KIT - HMR-104	-	1	-	-	-	
16*	21092	SNEEZE GUARD ASSEMBLY - HMR-104	-	1	-	-	-	
16*	14619	SNEEZE GUARD KIT - HMR-105	-	-	1	-	-	
16*	63420	SNEEZE GUARD ASSEMBLY - HMR-105	-	-	1	-	-	
16*	14624	SNEEZE GUARD KIT - HMR-106	-	-	-	1	-	
16*	21093	SNEEZE GUARD ASSEMBLY - HMR-106	-	-	-	1	-	
16*	14622	SNEEZE GUARD KIT - HMR-107	-	-	-	-	1	
16*	63421	SNEEZE GUARD ASSEMBLY - HMR-107	-	-	-	-	1	
17*	14872	KIT - HMR - 103 GREASE SHIELD	1	-	-	-	-	
17*	14873	KIT - HMR - 104 GREASE SHIELD	-	1	-	-	-	
17*	14874	KIT - HMR - 105 GREASE SHIELD	-	-	1	-	-	
17*	14875	KIT - HMR - 106 GREASE SHIELD	-	-	-	1	-	
17*	14876	KIT - HMR - 107 GREASE SHIELD	-	-	-	-	1	

* Not Shown

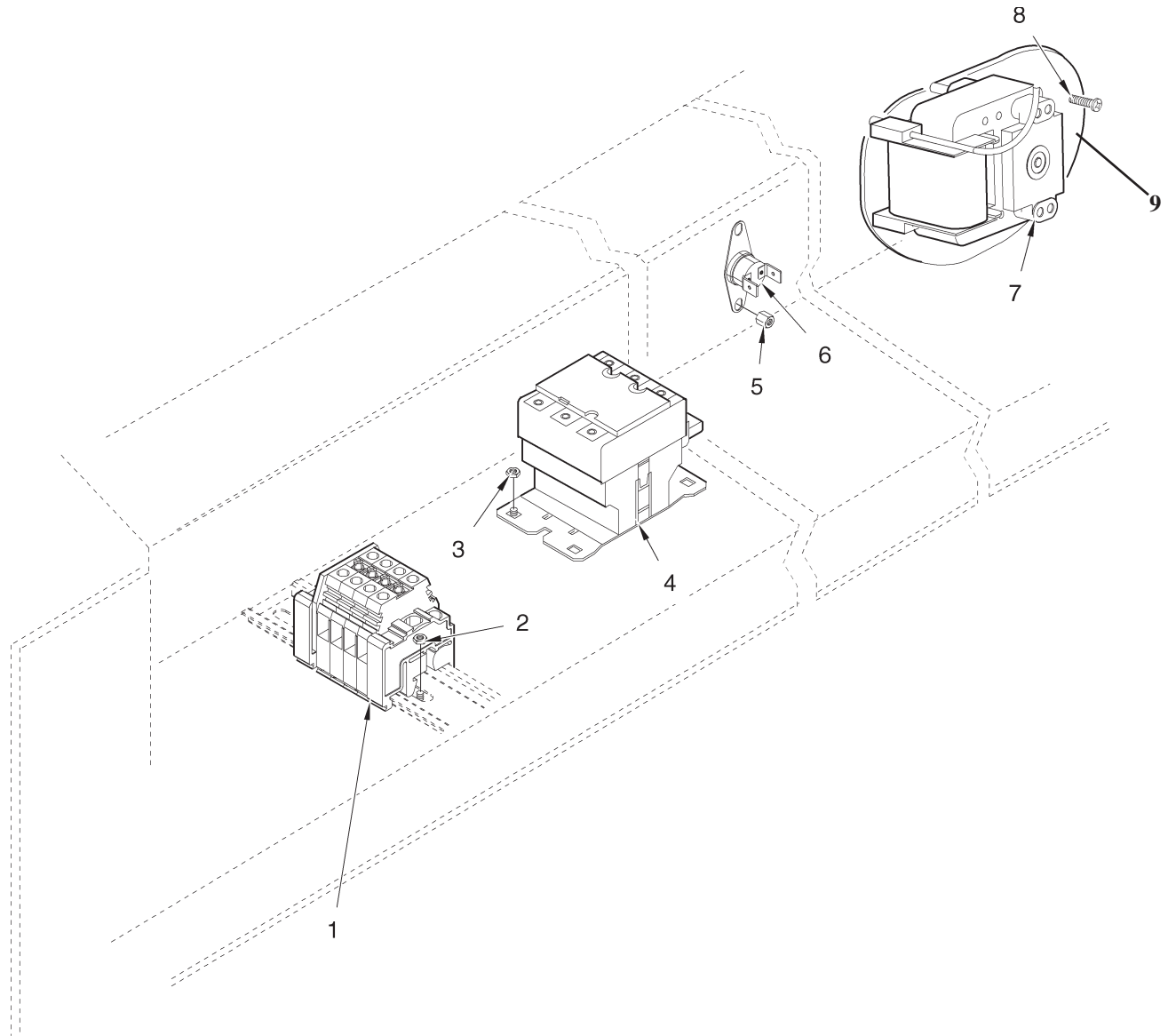


Figure 3-5. Lower Control Panel

ITEM NO.	PART NO.	DESCRIPTION	QUANTITY				
			103	104	105	106	107
1	49367	TERMINAL BLOCK ASSEMBLY	1	1	1	1	1
1	49641	TERMINAL BLOCK ASSEMBLY - CE	1	1	1	1	1
2	NS02-006	NUT	2	2	2	2	2
3	NS02-006	NUT	2	2	2	2	2
√ 3*	51062	EMC FILTER BOARD - CE	1	1	1	1	1
√ 4	19405	CONTACTOR 208/240V	1	1	1	1	1
5	ME50-023	STANDOFF	2	2	4	4	4
√ 6	56854	HIGH LIMIT W/SPACER- 225° F - MANUAL RESET	1	1	2	2	2
√ 7	80821	BLOWER MOTOR - 50/60 HZ	2	2	2	3	3
8	SC02-041	SCREW	6	6	6	9	9
9	37157	BLOWER PLATE					AS REQUIRED

√ recommended parts/*not shown

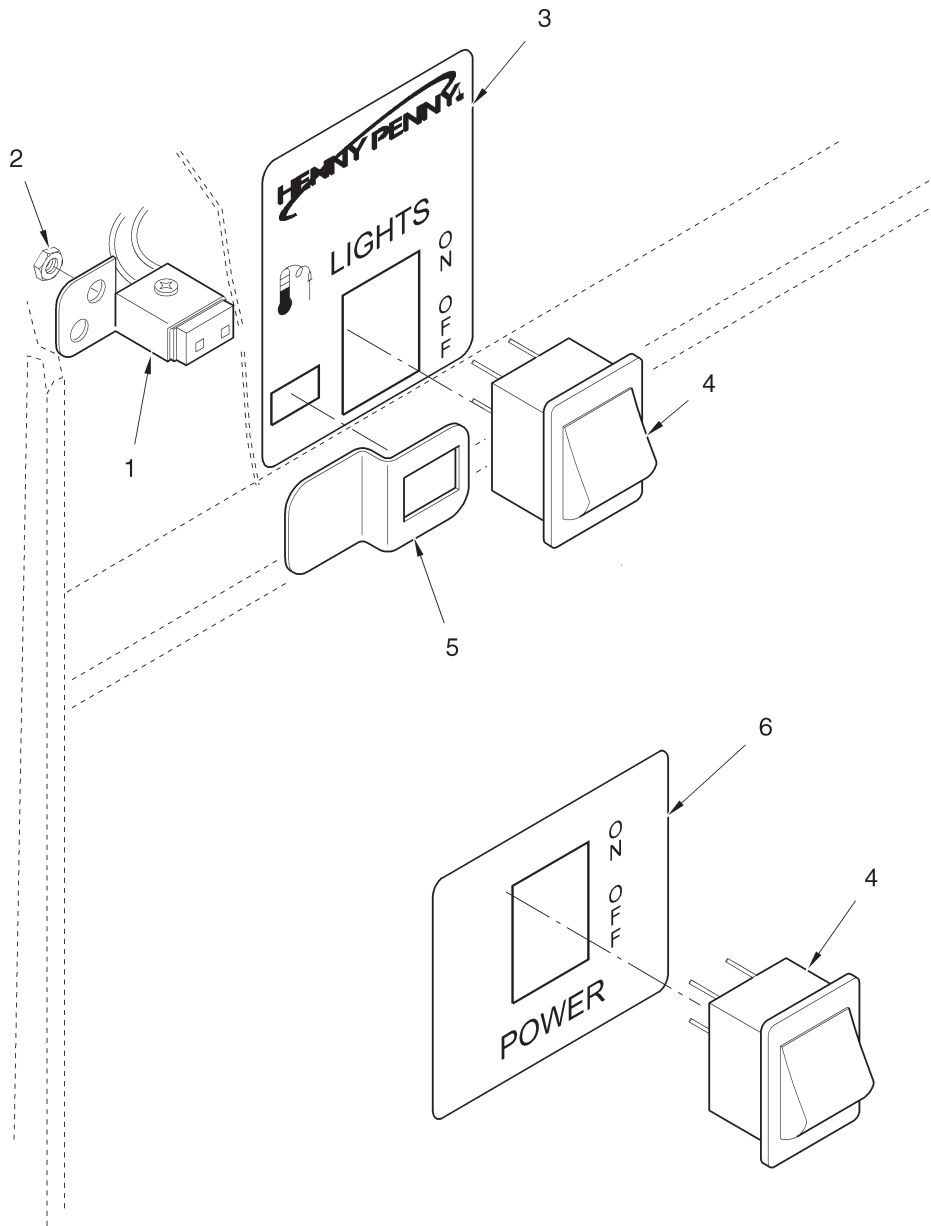
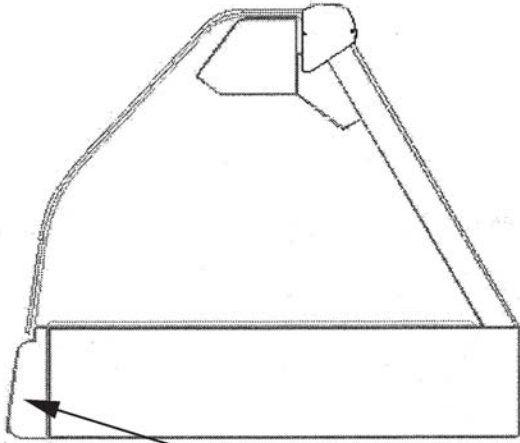


Figure 3-6. Upper Controls & Decals

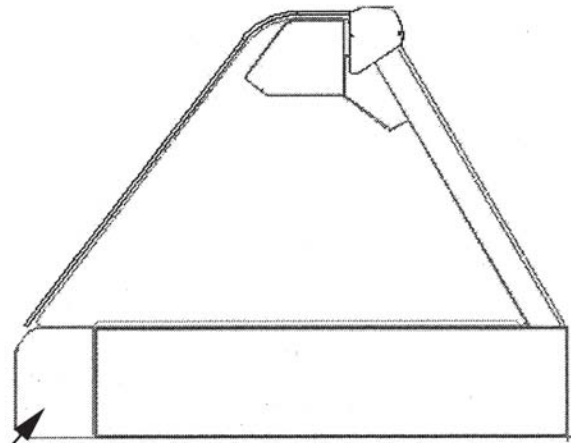
ITEM NO.	PART NO.	DESCRIPTION	QUANTITY				
			103	104	105	106	107
√ 1	56380	PROBE RECEPTACLE ASSEMBLY	2	2	2	2	2
2	NS02-006	NUT	2	2	2	2	2
3	61512	DECAL - LIGHTS W/PROBE	1	1	1	1	1
3	59305	DECAL - LIGHTS - W/O PROBE	1	1	1	1	1
√ 4	72277	POWER SWITCH	3	3	3	3	3
5	56585	PROBE GUARD	2	2	2	2	2
6	61739	DECAL - POWER	1	1	1	1	1
6	61753	DECAL-PWR W/PROBE (103, SN CY094JA & BELOW; 104, SN CY074JA & BELOW; 105, SN CY096JA & BELOW; & 106, SN: CY106JA & BELOW)	1	1	1	1	1

√ recommended parts

(HP) Curved Profile

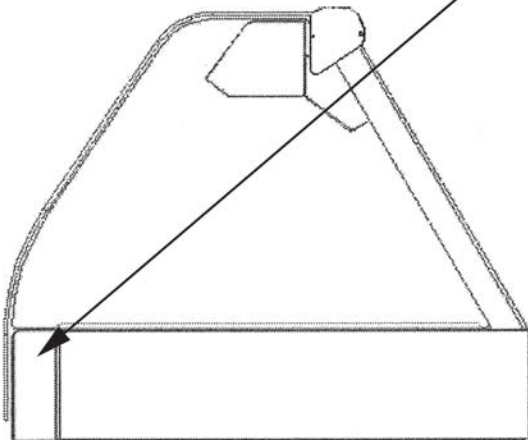


Flat Profile

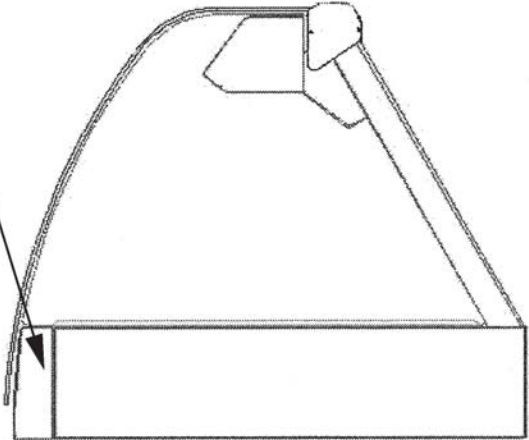


Front Support

**Hussman
Vision Profile**



**Tyler
Advantage Profile**



Front Support Matrix

	HP Profile	Hussman Profile	Flat Profile	Tyler Profile
3 Well	58528	56275	58532	58537
4 Well	58527	56274	58531	58536
5 Well	58384	56273	58366	58535
6 Well	58526	56272	58530	58534
7 Well	58387	56271	58529	58533

HMR-12X - Two-Tier Merchandiser Parts

Item No.	Part No.	Description	Quantity		
			123	125	127
1	32777	Shelf - Wire - HMR-127	-	-	1
1	38921	Shelf - Wire - HMR-125	-	1	-
1	39182	Shelf - Wire - HMR-123	1	-	-
√ 2	32935-001	Heater - Lower Air - Ends - 208V-300W - HMR-125/127	-	2	2
√ 2	32935-002	Heater - Lower Air - Ends - 240V-300W - HMR-125/127	-	2	2
√ 2	56240-01	Heater - Lower Air - 208V-650W	2	2	3
√ 2	56240-02	Heater - Lower Air - 240V-650W	2	2	3
3	58607-011	HP (Curved) Profile Glass Assy - HMR-123	1	-	-
3	58607-026	Hussman Profile Glass Assy - HMR-123	1	-	-
3	58607-041	Flat Profile Glass Assy - HMR-123	1	-	-
3	58607-056	Tyler Profile Glass Assy - HMR-123	1	-	-
3	58607-013	HP (Curved) Profile Glass Assy - HMR-125	-	1	-
3	58607-028	Hussman Profile Glass Assy - HMR-125	-	1	-
3	58607-043	Flat Profile Glass Assy - HMR-125	-	1	-
3	58607-058	Tyler Profile Glass Assy - HMR-125	-	1	-
3	58607-015	HP (Curved) Profile Glass Assy - HMR-127	-	-	1
3	58607-030	Hussman Profile Glass Assy - HMR-127	-	-	1
3	58607-045	Flat Profile Glass Assy - HMR-127	-	-	1
3	58607-060	Tyler Profile Glass Assy - HMR-127	-	-	1
4	32754	Assy - Upper Wire Shelf Support	2	3	4
5	56582-001	Assy - Power Cord, 12 AWG/4CONN-HMR-123 (1 phase)	1	-	-
5	56583-001	Assy - Power Cord, 12 AWG/5CONN-HMR-123 (3 phase)	1	-	-
5	56582-003	Assy - Power Cord, 8 AWG/4CONN-HMR-125/127 (1 phase)	-	1	1
5	56583-003	Assy - Power Cord, 8 AWG/4CONN-HMR-125/127 (3 phase)	-	1	1
√ 6	27401-001	Heater - Radiant - 208V-260W	6	10	14
√ 6	27401-002	Heater - Radiant - 240V-260W	6	10	14
√ 7	39131	Control - PC Board - Radiant Heat	1	1	1
√ 7	39132	Control - PC Board - Radiant Heat - CE	1	1	1
8	56050-002	Side Glass - HP - Mirrored - LH	1	1	1
8	56050-003	Side Glass - HP - Mirrored - RH	1	1	1
8	56050-006	Side Glass - HP - Mirrored - LH - Antique White	1	1	1
8	56050-007	Side Glass - HP - Mirrored - RH - Antique White	1	1	1
8	56050-008	Side Glass - HP - Mirrored - LH - Shadow Black	1	1	1
8	56050-009	Side Glass - HP - Mirrored - RH - Shadow Black	1	1	1
8	56241-002	Side Glass - Hussman - Mirrored - LH	1	1	1
8	56241-003	Side Glass - Hussman - Mirrored - RH	1	1	1
8	56242-002	Side Glass - Flat - Mirrored - LH	1	1	1
8	56242-003	Side Glass - Flat - Mirrored - RH	1	1	1
8	56239-002	Side Glass - Tyler - Mirrored - LH	1	1	1
8	56239-003	Side Glass - Tyler - Mirrored - RH	1	1	1
√ 9	39127	Control - HMR-12X - Air Heat On (170-210° F)	1	1	1
√ 9	67201	Control - HMR-12X - Air Heat On (140-180° F-Giant Eagle)	1	1	1
√ 10	BL01-018	Light Bulb - Jacketed - Halogen - 90W-130V	2	4	6
√ 10	BL01-017	Light Bulb - Jacketed - Halogen - 150W-230V - CE	2	4	6
√ 10	BL01-021	Light Bulb - Jacketed - Halogen - 120W-40V (Giant Eagle)	2	4	6
√ 10	39795	Light Socket- DOMESTIC/ NON-CE	2	4	6
√ 11	54041	Light Socket - CE	2	4	6
√ 11	67910	Light Socket (used with BL01-021 only)	2	4	6
12	68045	Sliding Glass Doors - HMR-123	2	-	-
12	68049	Sliding Glass Doors - HMR-125	-	2	-
12	68051	Sliding Glass Doors - HMR-127	-	-	2
13	72174	Assy - Front Viewing Glass - HMR-123	1	-	-
14	14930	KIT-HMR12X-CNTORLOW PF	1	1	1