

## SECTION 8. PARTS INFORMATION

### 8-1. INTRODUCTION

This section lists the replaceable parts of the Henny Penny Model LVE fryer.

### 8-2. GENUINE PARTS

Use only genuine Henny Penny parts in your fryer. Using part of lesser quality or substitute design may result in damage to the unit or personal injury.

### 8-3. WHEN ORDERING PARTS

Once the parts that you want to order have been found in the parts list, write down the following information:

Item Number 2  
Part Number 60241 Example:  
Description High Limit

From the data plate, list the following information:

Product Number 01100  
Serial Number 0001 Example:  
Voltage 208

### 8-4. PRICES

Your distributor has a price parts list and will be glad to inform you of the cost of your parts order.

### 8-5. DELIVERY

Commonly replaced items are stocked by your distributor and will be sent out when your order is received. Other parts will be ordered, by your distributor, from Henny Penny Corporation. Normally, these will be sent to your distributor within three working days.

### 8-6. WARRANTY

All replacement parts (except lamps and fuses) are warranted for 90 days against manufacturing defects and workmanship. If damage occurs during shipping, notify the carrier at once so that a claim may be properly filed. Refer to warranty in the front of this manual for other rights and limitations.

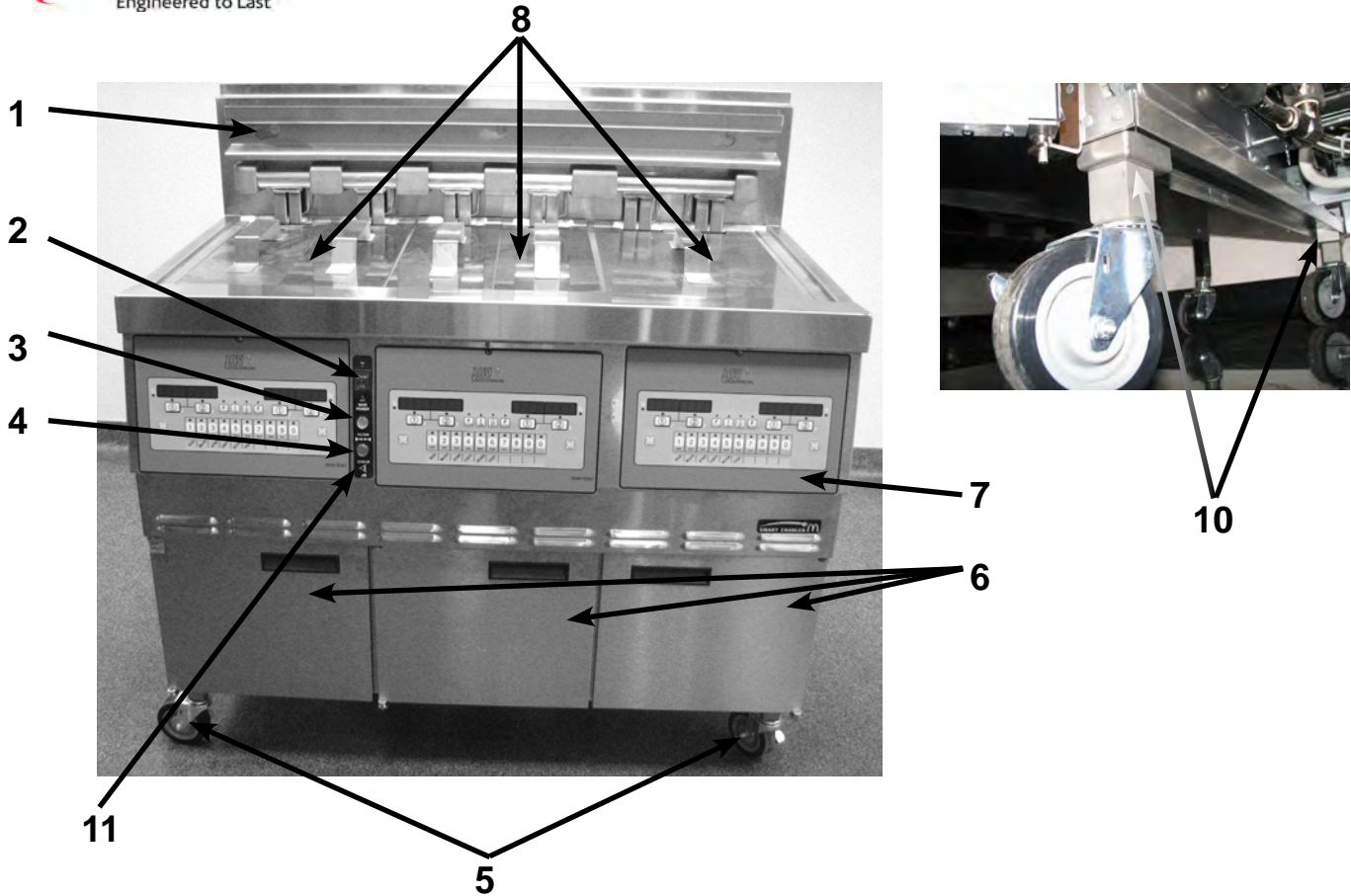
### 8-7. RECOMMENDED SPARE PARTS FOR DISTRIBUTORS

Recommended replacement parts are indicated with A or B in the parts lists:

A = parts to be stocked on service vans or trucks

B = parts to be stocked at the distributor/KES location.

Inventory on all other parts not identified, should be based upon usage in the territory. Please use care when ordering recommended parts, because all voltages and variations are marked. Distributors should order parts based upon common voltages and equipment sold in their territory.



| Item No. | Part No. | Description                           | Quantity |
|----------|----------|---------------------------------------|----------|
| 1        | 77842    | HANGER-BASKET - LVE-202.....          | 1        |
| 1        | 77709    | HANGER-BASKET - LVE-203.....          | 1        |
| 1        | 77934    | HANGER-BASKET - LVE-204.....          | 1        |
| A 2      | 52224    | SWITCH - POWER.....                   | 1        |
| B 3      | 75860    | LIGHT - INDICATOR - BLUE.....         | 1        |
| B 4      | 75859    | LIGHT - INDICATOR - YELLOW .....      | 1        |
| 5        | 77575    | CASTER - 4" - W/BRAKE.....            | 2        |
| 6        | -----    | DOOR..... See Chart on Next Page      |          |
| B 7      | 83515RB  | ASSY - CONTROL - LOV.....             | 1/well** |
| 8        | 03623    | WELD ASSY - COVER - SPLIT VAT.....    | 1/vat    |
| 8        | 03624    | WELD ASSY - COVER - FULL VAT.....     | 1/vat    |
| 9*       | 77679    | CASTER - REAR - 4" .....              | 2        |
| 10       | 83933    | SUPPORT - CASTER MTG LVE 203/204..... | 4        |
| 10       | 83937    | SUPPORT - CASTER MTG LVE 202 .....    | 4        |
| 11       | 77103    | DECAL-FLTR/CK JIB/MAIN POWER .....    | 1        |
| 12*      | 03691    | ACCESSORY-BLUE LIGHT BAR 3W.....      | 1        |

Recommend Parts: A=Truck Stock/B=Dist. Stock

\*not shown

\*\*LVE-202=2; LVE-203=3; LVE-204=4

|  |   |
|--|---|
| <b>83774</b><br>LH Door Assy<br>without Holder | <b>86382</b><br>RH Door Assy<br>with Holder |
|--|---|

**Model LVE-202**

|  |  |   |
|--|--|---|
| <b>83774</b><br>LH Door Assy<br>without Holder | <b>83774</b><br>LH Door Assy<br>without Holder | <b>86382</b><br>RH Door Assy<br>with Holder |
|--|--|---|

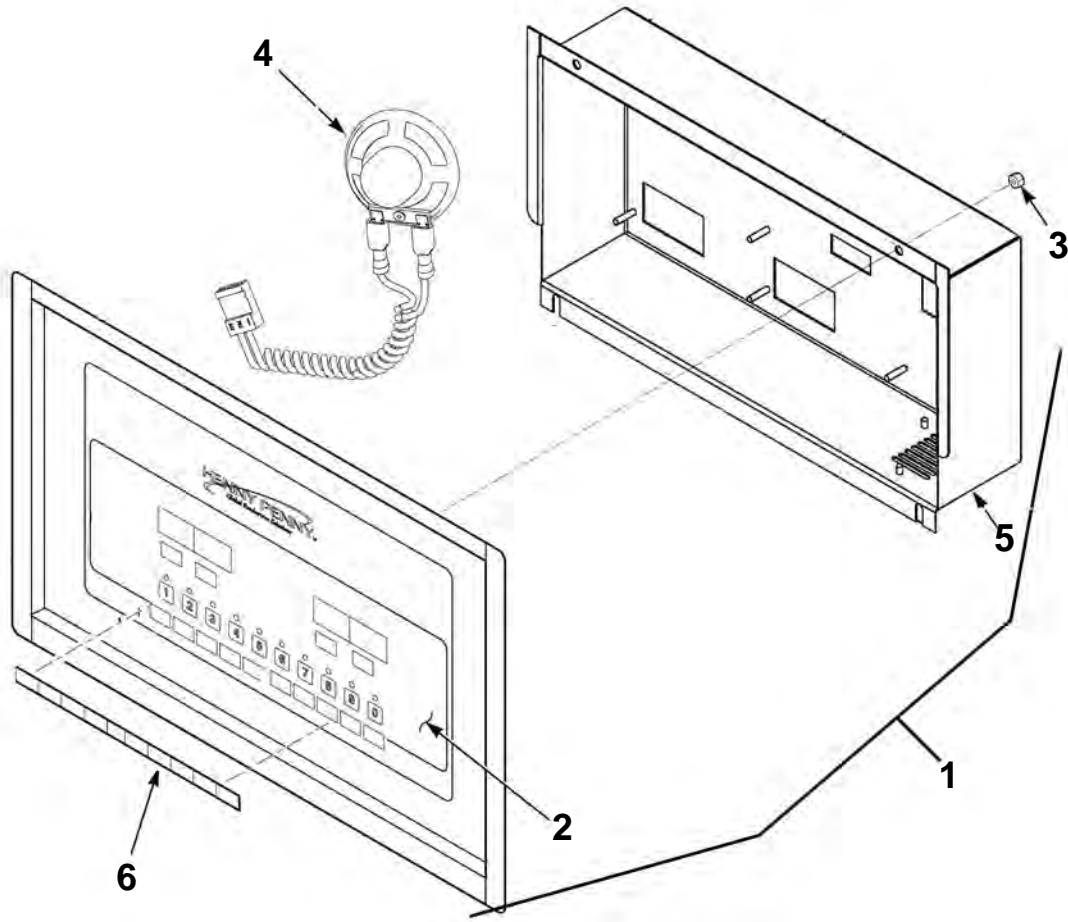
**Model LVE-203**

|  |  |  |   |
|--|--|--|---|
| <b>83774</b><br>LH Door Assy<br>without Holder | <b>83774</b><br>LH Door Assy<br>without Holder | <b>83727</b><br>RH Door Assy<br>without Holder | <b>86382</b><br>RH Door Assy<br>with Holder |
|--|--|--|---|

**Model LVE-204**

| <b>Door Hinge Chart</b> |                             |                                |                               |                                |                |
|-------------------------|-----------------------------|--------------------------------|-------------------------------|--------------------------------|----------------|
| <b>Door</b>             | <b>Top Hinge<br/>(Door)</b> | <b>Bottom Hinge<br/>(Door)</b> | <b>Left Hinge<br/>(Frame)</b> | <b>Right Hinge<br/>(Frame)</b> | <b>Bushing</b> |
| 83774                   | 83903                       | 83904                          | 85409                         | -                              | 39752          |
| 86382                   | 83904                       | 83903                          | -                             | 85408                          | 39752          |
| 83727                   | 83904                       | 83903                          | -                             | 85408                          | 39752          |

**Control Panel Assembly**

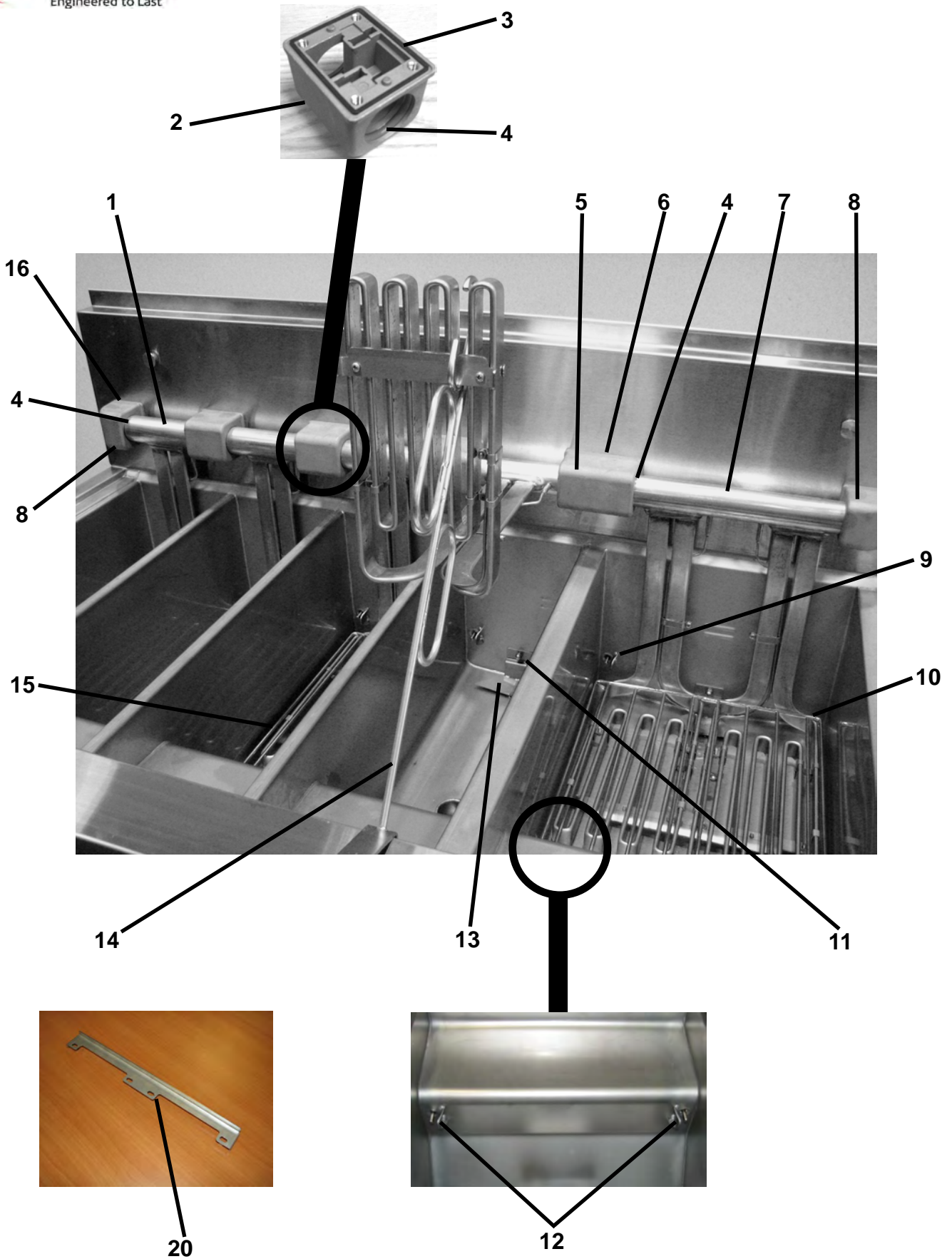


| Item No. | Part No. | Description                                 | Quantity   |
|----------|----------|---|------------|
| B 1      | 83515RB  | ASSY - CONTROL - LOV .....                  | 1/well**   |
| 2        | 85378    | DECAL - LOV MCD.....                        | 1/control  |
| 3        | NS02-005 | NUT - HEX KEPS #6-32 C.....                 | 23/control |
| B 4      | 26974    | ASSY - SPEAKER .....                        | 1/control  |
| 5        | 83498    | STUD ASSY - CONTROL PANEL COVER .....       | 1/control  |
| 6        | 77249    | MENU CARD - BLANK - LOV .....               | 1/control  |
| 6        | 77250    | MENU CARD - FVA - LOV.....                  | 1/control  |
| 6        | 77251    | MENU CARD - SPA - LOV .....                 | 1/control  |
| A 7*     | MS01-571 | TOOL - TERMINAL EXTRACTOR (not shown) ..... | 1          |
| 8        | 140130   | KIT-LVE/LVG-MMC COMM.....                   | 1          |

Recommend Parts: A=Truck Stock/B=Dist. Stock

\*not shown

\*\*LVE-202=2; LVE-203=3; LVE-204=4



**NOTICE** Replace seals & o-rings when replacing elements

| Item No. | Part No.  | Description  | Quantity |
|----------|-----------|--|----------|
| B 1      | 92104-001 | ELEMENT-7 KW-SPLIT,208-60-3, 3 wire .....              | 1/split  |
| B 1      | 92104-002 | ELEMENT-7 KW-SPLIT, 230/400-50-3, 4 wire .....         | 1/split  |
| B 1      | 92104-005 | ELEMENT-7 KW-SPLIT, 220/380-50/60-3, 4 wire .....      | 1/split  |
| B 1      | 92104-006 | ELEMENT-7 KW-SPLIT, 240/415-50-3, 4 wire .....         | 1/split  |
| B 1      | 92104-007 | ELEMENT-7 KW-SPLIT, 220-60-3, 3 wire .....             | 1/split  |
| B 1      | 92104-008 | ELEMENT-7 KW-SPLIT, 230-50-3, 3 wire .....             | 1/split  |
| B 1      | 92104-009 | ELEMENT-7 KW-SPLIT, 240-60-3, 3 wire .....             | 1/split  |
| 2        | 86305     | BLOCK-PIVOT-S TO S (See chart on next page) .....      | AR       |
| B 3      | 86308     | SEAL-S TO S PIVOT BLOCK (See chart on next page) ..... | AR       |
| B 4      | 76948     | O-RING.....  | 2/block  |
| 5        | 86304     | BLOCK-PIVOT-S TO F (See chart on next page) .....      | AR       |
| B 6      | 86307     | SEAL-S TO F PIVOT BLOCK (See chart on next page) ..... | AR       |
| B 7      | 92103-001 | ELEMENT-14 KW-FULL, 208-60-3, 3 wire .....             | 1/full   |
| B 7      | 92103-002 | ELEMENT-14 KW-FULL, 230/400-50-3, 4 wire .....         | 1/full   |
| B 7      | 92103-005 | ELEMENT-14 KW-FULL, 220/380-50/60-3, 4 wire .....      | 1/full   |
| B 7      | 92103-006 | ELEMENT-14 KW-FULL, 240/415-50-3,4 wire .....          | 1/full   |
| B 7      | 92103-007 | ELEMENT-14 KW-FULL, 220-60-3, 3 wire .....             | 1/full   |
| B 7      | 92103-008 | ELEMENT-14 KW-FULL, 230-50-3, 3 wire .....             | 1/full   |
| B 7      | 92103-009 | ELEMENT-14 KW-FULL, 240-60-3, 3 wire .....             | 1/full   |
| 8        | 86303     | BLOCK-PIVOT-F TO F (See chart on next page) .....      | AR       |
| A 9      | 140099    | KIT-TEMPERATURE PROBE (3").....                        | 1/vat    |
| B 10     | 84942     | RACK - FULL VAT (w/o wear strip).....                  | 1/vat    |
| 11       | NS03-044  | NUT - ACORN - #10-24 - SS.....                         | 1/vat    |
| A 12     | 140098    | KIT-OIL LEVEL PROBE (2-1/2").....                      | 2/vat    |
| 13       | 77838     | WELD ASSY- LOV OIL DIVERTER.....                       | 1/vat    |
| 13       | 77443     | WELD ASSY- FISH OIL DIVERTER .....                     | 1/vat    |
| B 14     | 74725     | HANDLE - ELEMENT LIFT.....                             | 1        |
| B 15     | 84943     | RACK - SPLIT VAT .....                                 | 1/vat    |
| B 16     | 86306     | SEAL-F TO F PIVOT BLOCK (See chart on next page) ..... | AR       |
| 17*      | 76563     | WELD ASSY - SEAM COVER - LVE-202 .....                 | 1        |
| 17*      | 76500     | WELD ASSY - SEAM COVER - LVE-203 .....                 | 1        |
| 17*      | 77613     | WELD ASSY - SEAM COVER - LVE-204 .....                 | 1        |
| 18*      | 76564     | EXTENSION-SHROUD - LVE-202 .....                       | 1        |
| 18*      | 76501     | EXTENSION-SHROUD - LVE-203 .....                       | 1        |
| 18*      | 77614     | EXTENSION-SHROUD - LVE-204 .....                       | 1        |
| 19*      | NS03-044  | NUT - ACORN - #10-24 - SS.....                         | 3        |
| 20       | 140288    | KIT-FULL LVE20X ELEMENT GUARD.....                     | 1/vat    |
| 20       | 140300    | KIT-SPLIT LVE20X ELEMENT GUARD .....                   | 1/vat    |
| 21*      | 96887     | KIT-THERMOCOUPLE LVE200 .....                          | 1/vat    |

Recommend Parts: A=Truck Stock/B=Dist. Stock

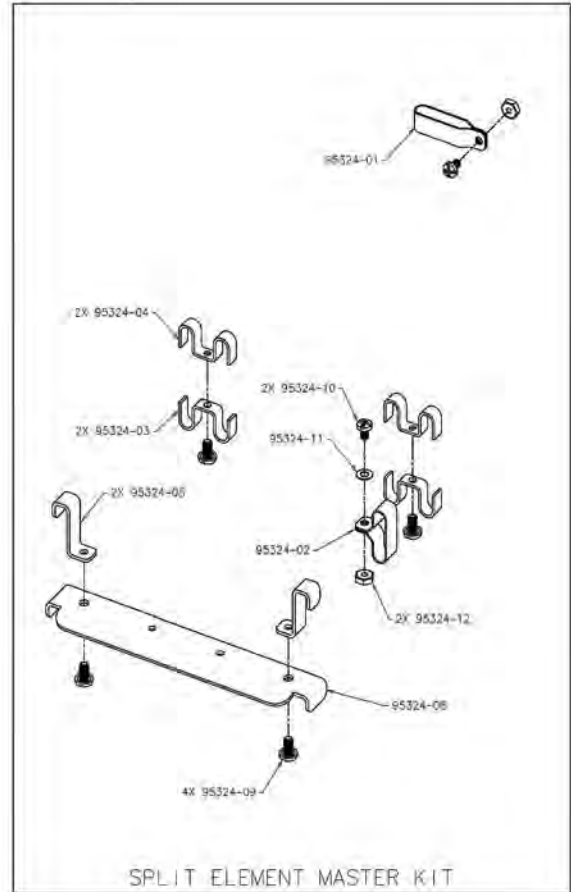
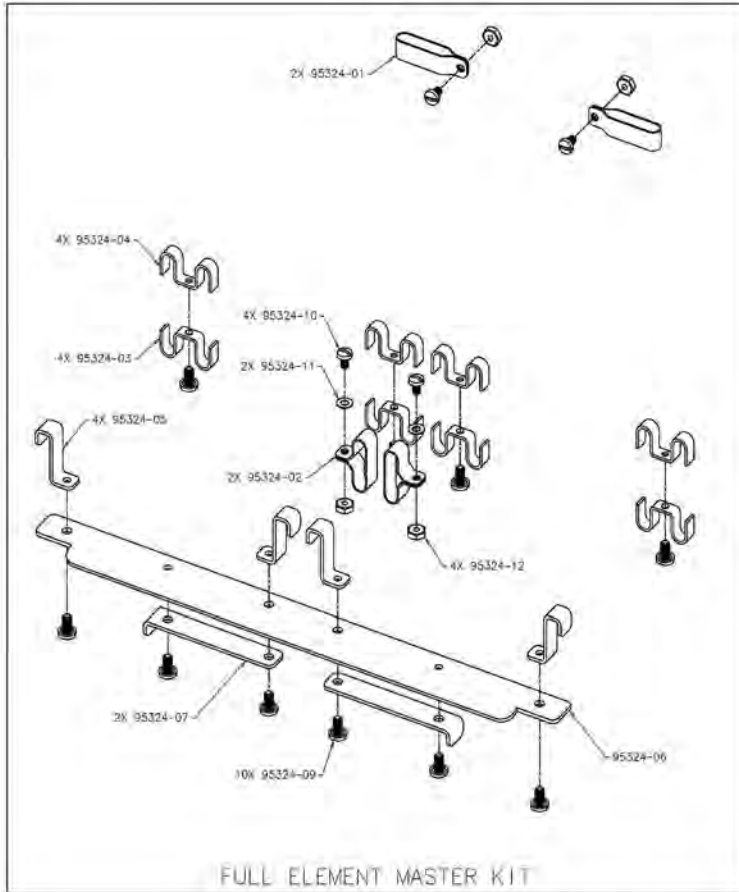
\*not shown

AR - as required; see chart on next page

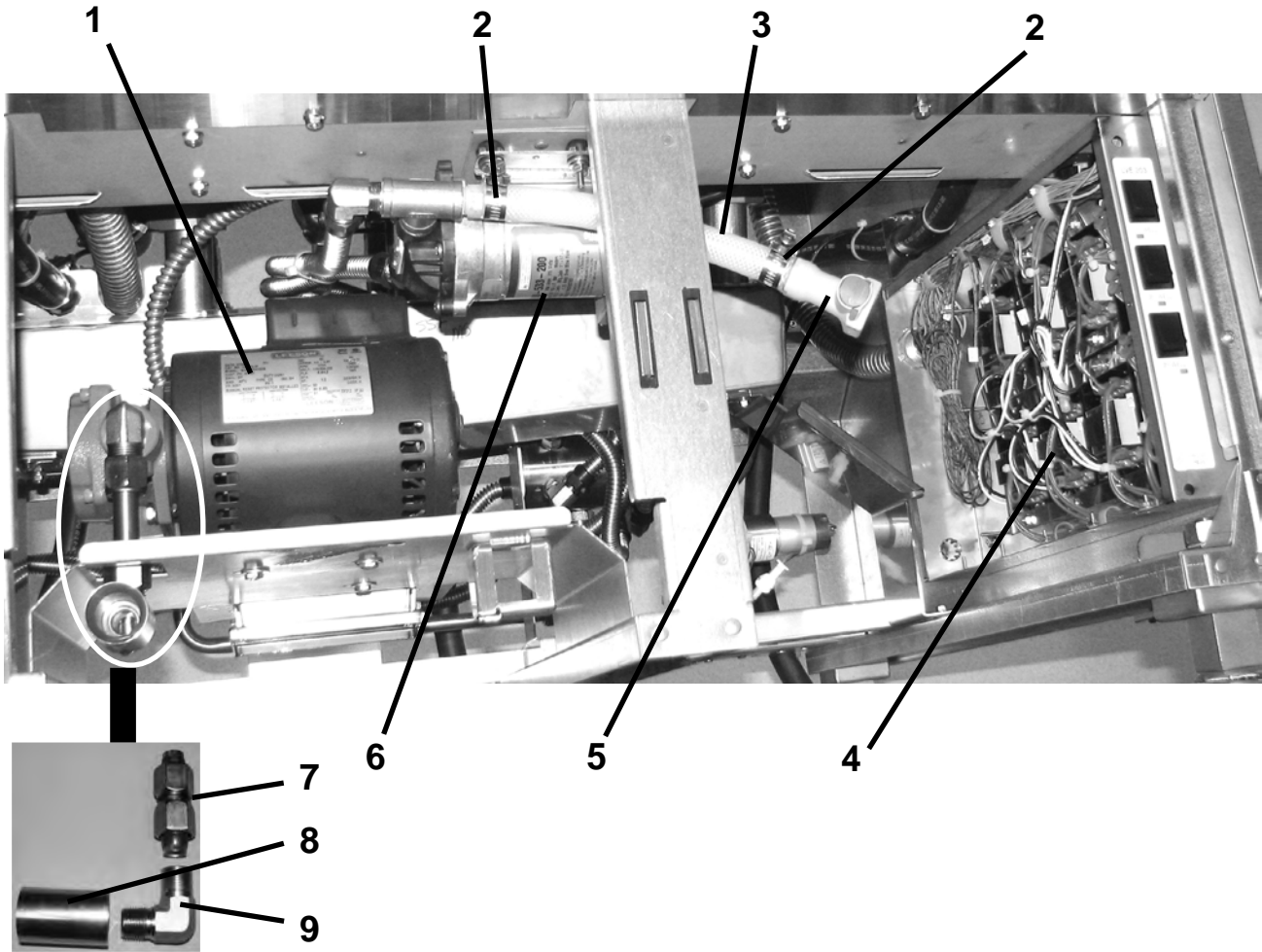
| FRYER MODEL       | PIVOT BLOCK |            |                    | PIVOT BLOCK SEAL |            |        |
|-------------------|-------------|------------|--------------------|------------------|------------|--------|
|                   | QTY         | P/N & TYPE |                    | QTY              | P/N & TYPE |        |
| 202FF             | 4           | 86303      | F TO F (end block) | 4                | 86306      | F TO F |
| 203FFF            | 6           | 86303      | F TO F (end block) | 6                | 86306      | F TO F |
| 204FFFF           | 8           | 86303      | F TO F (end block) | 8                | 86306      | F TO F |
| 202SS             | 2           | 86303      | F TO F (end block) | 2                | 86306      | F TO F |
|                   | 3           | 86305      | S TO S             | 3                | 86308      | S TO S |
| 203SSS            | 2           | 86303      | F TO F (end block) | 2                | 86306      | F TO F |
|                   | 5           | 86305      | S TO S             | 5                | 86308      | S TO S |
| 204SSSS           | 2           | 86303      | F TO F (end block) | 2                | 86306      | F TO F |
|                   | 7           | 86305      | S TO S             | 7                | 86308      | S TO S |
| 202FD/FR/FS       | 2           | 86303      | F TO F (end block) | 2                | 86306      | F TO F |
|                   | 1           | 86304      | STO F              | 1                | 86307      | S TO F |
|                   | 1           | 86305      | S TO S             | 1                | 86308      | S TO S |
| 203FSD/FSR/FSS    | 2           | 86303      | F TO F (end block) | 2                | 86306      | F TO F |
|                   | 1           | 86304      | S TO F             | 1                | 86307      | S TO F |
|                   | 3           | 86305      | S TO S             | 3                | 86308      | S TO S |
| 204FSSD/FSSR/FSSS | 2           | 86303      | F TO F (end block) | 2                | 86306      | F TO F |
|                   | 1           | 86304      | S TO F             | 1                | 86307      | S TO F |
|                   | 5           | 86305      | S TO S             | 5                | 86308      | S TO S |
| 202DF/LF/SF       | 2           | 86303      | F TO F (end block) | 2                | 86306      | F TO F |
|                   | 1           | 86304      | S TO F             | 1                | 86307      | S TO F |
|                   | 1           | 86305      | S TO S             | 1                | 86308      | S TO S |
| 203FFD/FFR/FFS    | 4           | 86303      | F TO F (end block) | 4                | 86306      | F TO F |
|                   | 1           | 86304      | S TO F             | 1                | 86307      | S TO F |
|                   | 1           | 86305      | S TO S             | 1                | 86308      | S TO S |
| 204FFSD/FFSR/FFSS | 4           | 86303      | F TO F (end block) | 4                | 86306      | F TO F |
|                   | 1           | 86304      | S TO F             | 1                | 86307      | S TO F |
|                   | 3           | 86305      | S TO S             | 3                | 86308      | S TO S |
| 203DSF/LSF/SSF    | 2           | 86303      | F TO F (end block) | 2                | 86306      | F TO F |
|                   | 1           | 86304      | S TO F             | 1                | 86307      | S TO F |
|                   | 3           | 86305      | S TO S             | 3                | 86308      | S TO S |
| 204FFFD/FFFR/FFFS | 6           | 86303      | F TO F (end block) | 6                | 86306      | F TO F |
|                   | 1           | 86304      | S TO F             | 1                | 86307      | S TO F |
|                   | 1           | 86305      | S TO S             | 1                | 86308      | S TO S |
| 203DFF/LFF/SFF    | 4           | 86303      | F TO F (end block) | 4                | 86306      | F TO F |
|                   | 1           | 86304      | S TO F             | 1                | 86307      | S TO F |
|                   | 1           | 86305      | S TO S             | 1                | 86308      | S TO S |
| 204DSSF/LSSF/SSSF | 2           | 86303      | F TO F (end block) | 2                | 86306      | F TO F |
|                   | 1           | 86304      | S TO F             | 1                | 86307      | S TO F |
|                   | 5           | 86305      | S TO S             | 5                | 86308      | S TO S |
| 204DSFF/LSFF/SSFF | 4           | 86303      | F TO F (end block) | 4                | 86306      | F TO F |
|                   | 1           | 86304      | S TO F             | 1                | 86307      | S TO F |
|                   | 3           | 86305      | S TO S             | 3                | 86308      | S TO S |
| 204DFFF/LFFF/SFFF | 6           | 86303      | F TO F (end block) | 6                | 86306      | F TO F |
|                   | 1           | 86304      | S TO F             | 1                | 86307      | S TO F |
|                   | 1           | 86305      | S TO S             | 1                | 86308      | S TO S |

**Note:** See Model Variant Legend on page 8-13 for model configuration explanation.

## ELEMENT HARDWARE

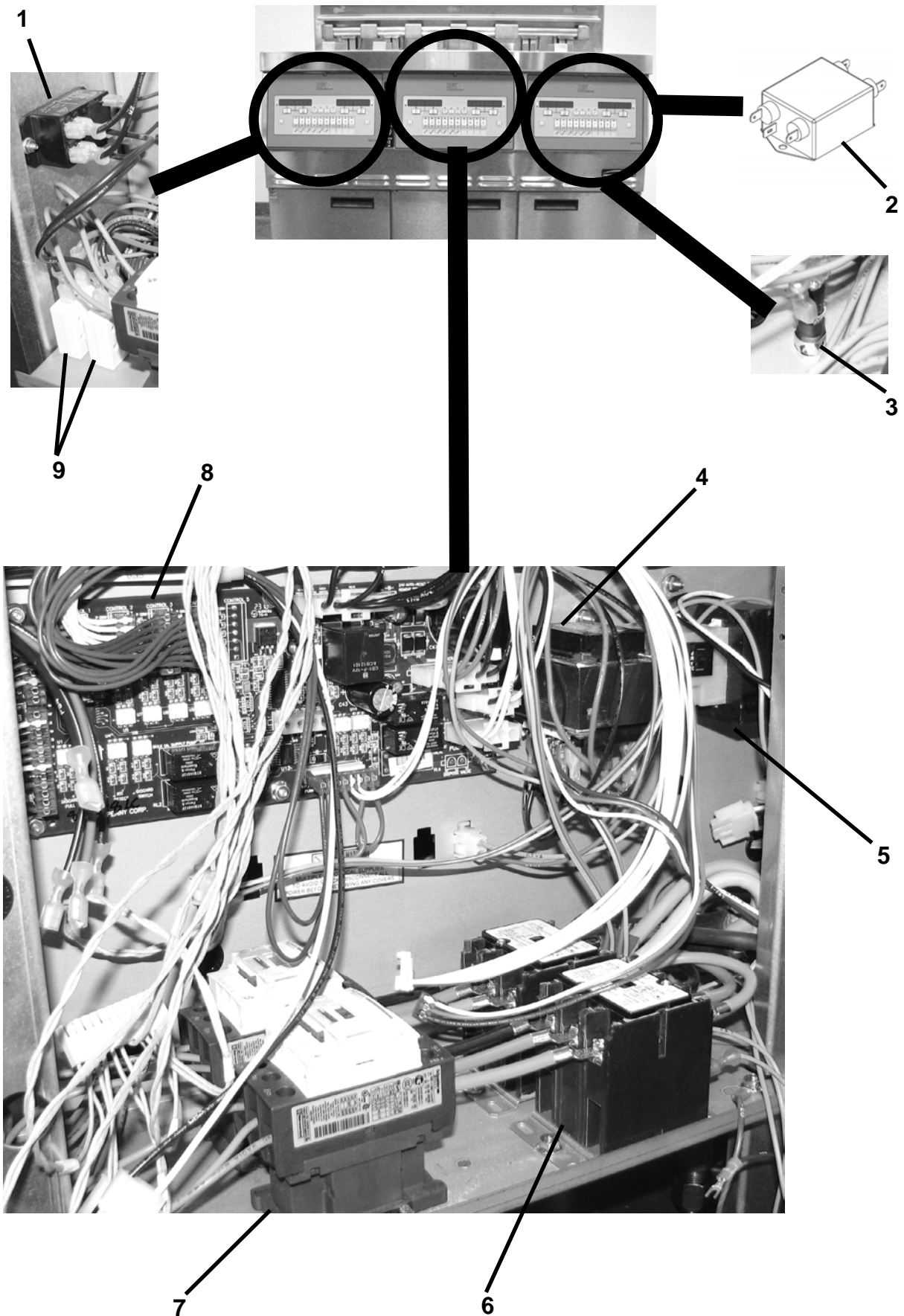


| P/N      | WATLOW P/N   | DESCRIPTION                | FULL ELEMENT | SPLIT ELEMENT |
|----------|--------------|----------------------------|--------------|---------------|
| 95324-01 | 165-53-21-1  | CLIP-HI LIMIT TIP          | 2            | 1             |
| 95324-02 | 165-53-22-1  | CLIP-HI LIMIT REAR         | 2            | 1             |
| 95324-03 | 71-53-1561-1 | SPACER-ELEMENT LOWER       | 4            | 2             |
| 95324-04 | 71-53-1561-2 | SPACER-ELEMENT UPPER       | 4            | 2             |
| 95324-05 | 71-53-1540-1 | BRACKET-FOOT TOP           | 4            | 2             |
| 95324-06 | 71-15-1500-1 | BRACKET-FOOT MOUNTING FULL | 1            | —             |
| 95324-07 | 71-15-1525-1 | BRACKET-FOOT BOTTOM FULL   | 2            | —             |
| 95324-08 | 71-53-1489-1 | BRACKET-FOOT BOTTOM SPLIT  | —            | 1             |
| 95324-09 | 429-80-45-38 | SCREW-#8-AB X .375 LONG    | 10           | 4             |
| 95324-10 | 429-80-34-26 | SCREW-#8-32 X .250 LONG    | 4            | 2             |
| 95324-11 | 523-60-1-50  | WASHER                     | 4            | 2             |
| 95324-12 | 363-60-1-6   | NUT-#8-32 SS               | 4            | 2             |



| Item No. | Part No.  | Description  | Quantity |
|----------|-----------|--|----------|
| 1        | 85777     | PUMP & MOTOR ASSY.-60 HZ (See page 8-15 for details)             | 1        |
| 1        | 93297     | PUMP & MOTOR ASSY.-50 HZ (See page 8-15 for details)             | 1        |
| 2        | MS01-297  | CLAMP-HOSE.....  | 2        |
| B 3      | 89622-001 | HOSE.....  | 1        |
| A 4      | 83581-001 | CONTROL-HIGH LIMIT-120V (120V control/hood interlock circuit)    | 1/vat    |
| A 4      | 83581-002 | CONTROL-HIGH LIMIT-230V(230V control/hood interlock circuit)     | 1/vat    |
| B 5      | FP05-016  | DISCONNECT-QUICK-1/2".....                                       | 1        |
| B 6      | 73473     | PUMP - OIL TOP OFF - 120V (120V control/hood interlock circuit). | 1        |
| B 6      | 74583     | PUMP - OIL TOP OFF - 230V(230V control/hood interlock circuit).. | 1        |
| 7        | 84288     | ASSY - FILTER INLET TUBE.....                                    | 1        |
| 8        | 83429     | ADAPTOR - TUBE END.....  | 1        |
| 9        | 17407     | CONNECTOR - 1/2 MALE ELBOW.....                                  | 1        |

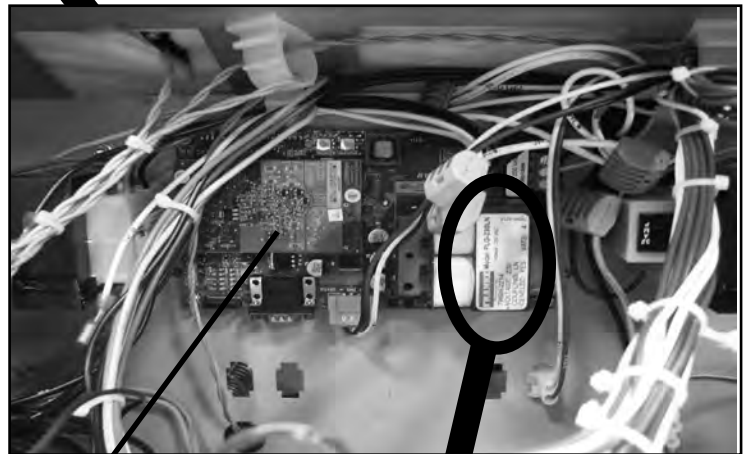
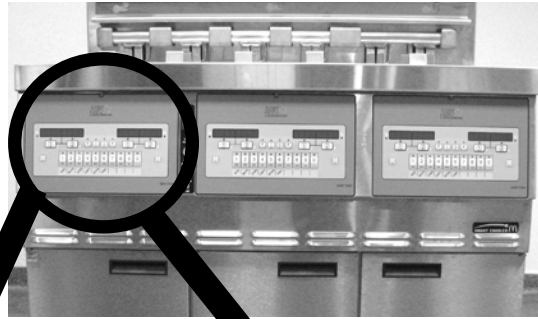
Recommend Parts: A=Truck Stock/B=Dist. Stock



| Item No. | Part No. | Description                                    | Quantity |
|----------|----------|--|----------|
| B 1      | ME90-008 | RELAY - PUMP MOTOR- 12 VDC - 30 AMP.....       | 1        |
| B 2      | 80728    | EMI FILTER - CE .....                          | 1        |
| A 3      | EF02-104 | FUSE HOLDER - 20A-250V .....                   | 1        |
| A 3      | FA52-010 | FUSE - 1 AMP (208/240V FRYERS).....            | 1        |
| A 3      | FA52-015 | FUSE - 1.5 AMP (380/400/415V FRYERS).....      | 1        |
| B 4      | TS22-012 | TRANSFORMER - AIF .....                        | 1        |
| A 5      | 86086    | TRANSFORMER-120V/75VA .....                    | 1/vat    |
| A 5      | 86087    | TRANSFORMER (CE)-24V/240V/75VA .....           | 1/vat    |
| A 6      | 29509    | CONTACTOR - 24V COIL (Primary Contactor) ..... | 1/vat    |
| A 7      | 65073    | CONTACTOR - 24V COIL (Heat Contactor).....     | 1/vat    |
| B 8      | 85698RB  | PC BOARD - SELECTOR AIF .....                  | 1        |
| A 9      | EF02-125 | BREAKER-PUSH BUTTON RESET - 15 AMP .....       | 2        |

Recommend Parts: A=Truck Stock/B=Dist. Stock

\* not shown



1

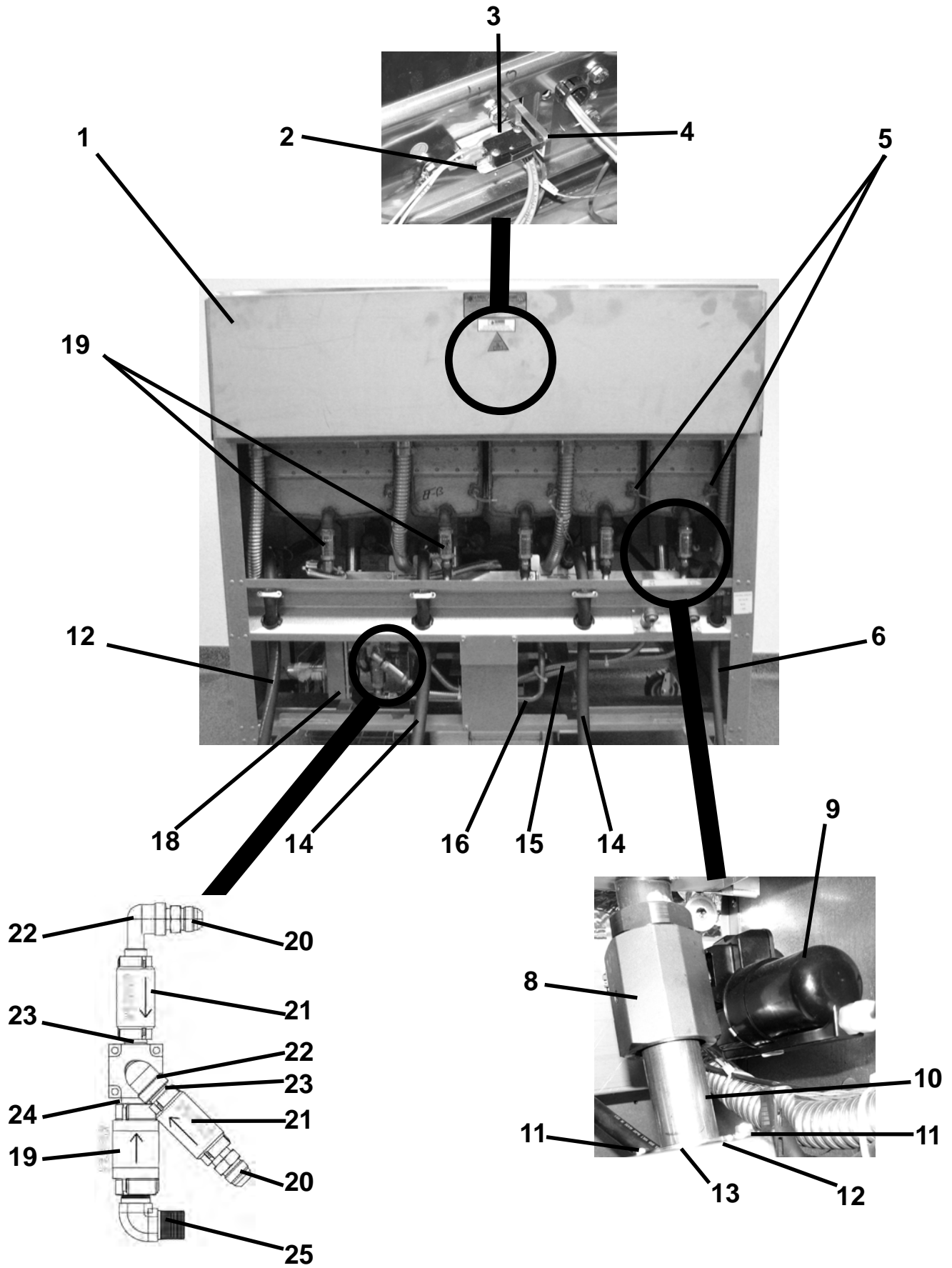
2

CENELEC YES/NO  
Refer to chart below



| Item No. | Part No.   | Description                                   | Quantity |
|----------|------------|---|----------|
| B 1      | 82914      | FILTER BOARD - 1P EMC - CE                    | 1        |
| 2        | 79596-XXXX | GATEWAY - PCB (LONWORKS) see chart below..... | 1        |

| Part No.   | Voltage | Transceiver Type | Model   |
|------------|---------|------------------|---------|
| 79596-1202 | 115     | NON-CENELEC      | LVE-202 |
| 79596-1203 | 115     | NON-CENELEC      | LVE-203 |
| 79596-1204 | 115     | NON-CENELEC      | LVE-204 |
| 79596-2202 | 230     | NON-CENELEC      | LVE-202 |
| 79596-2203 | 230     | NON-CENELEC      | LVE-203 |
| 79596-2204 | 230     | NON-CENELEC      | LVE-204 |
| 79596-2212 | 230     | CENELEC          | LVE-202 |
| 79596-2213 | 230     | CENELEC          | LVE-203 |
| 79596-2214 | 230     | CENELEC          | LVE-204 |

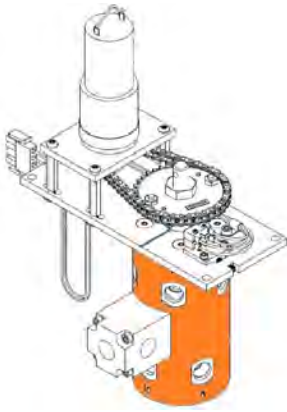


| Item No. | Part No.  | Description   | Quantity |
|----------|-----------|---|----------|
| 1        | 84372     | COVER - REAR SHROUD - LVE-202 .....                   | 1        |
| 1        | 83681     | COVER - REAR SHROUD - LVE-203 .....                   | 1        |
| 1        | 86345     | COVER - REAR SHROUD - LVE-204 .....                   | 1        |
| 2        | 83034     | BRACKET-SWITCH MOUNTING .....                         | 1/vat    |
| A 3      | 83096     | SWITCH - ELEMENT LIFT .....                           | 1/vat    |
| 4        | 83038     | ARM-ELEMENT SENSE.....                                | 1/vat    |
| A 5      | 140099    | PROBE - TEMPERATURE (3").....                         | 1/vat    |
| 6        | 83333     | ASSY-CORD & PLUG-INTERLOCK 120V .....                 | 1        |
| 6        | 85335     | ASSY-CE CORD & PLUG-INTERLOCK .....                   | 1        |
| 6        | 85754     | ASSY-CONTROL POWER CORD-FRANCE .....                  | 1        |
| 6        | 85758     | ASSY-CONTROL POWER CORD (8 FT)-ITALY .....            | 1        |
| 6        | 85759     | ASSY-CORD & PLUG INTERLOCK-SINGAPORE/HONG KONG....    | 1        |
| 6        | 85763     | ASSY-CORD & PLUG INTERLOCK-NEW ZEALAND .....          | 1        |
| 7        | 81911     | ASSY-DRAIN ACTUATOR W/O-RINGS .....                   | 1/vat    |
| B 8      | 140244    | KIT- DRAIN VALVE W/O MODULE .....                     | AR       |
|          | 76948     | O-RING -325 (between drain valve and trough).....     | AR       |
| B 9      | 86157     | MOTOR-ACTUATOR .....                                  | AR       |
| 10       | 95704-001 | TUBE-FISH VALVE TO TROUGH .....                       | 1/vat    |
| 10       | 95704-002 | TUBE-S/F VALVE TO TROUGH .....                        | 1/vat    |
| 11       | NS04-004  | NUT.....  | 2        |
| 12       | 86442     | SHIM.....   | 2        |
| 13       | 84419     | CLAMP .....   | 1        |
| 14       | 83331     | ASSY - POWER CORD & PLUG - 208-240V .....             | **       |
| 14       | 85337     | ASSY - CE POWER CORD & PLUG .....                     | **       |
| 14       | 85760     | ASSY - POWER CORD & PLUG - SINGAPORE/HONG KONG.....   | **       |
| 14       | 85761     | ASSY - POWER CORD & PLUG - NORWAY.....                | **       |
| 14       | 85762     | ASSY - POWER CORD & PLUG (8 FT) - ITALY .....         | **       |
| 14       | 85764     | ASSY - POWER CORD & PLUG - AUSTRALIA .....            | **       |
| 14       | 85765     | ASSY - POWER CORD & PLUG - NEW ZEALAND.....           | **       |
| 15       | 77523-0XX | TUBE-SUCTION (See chart on next page).....            | AR       |
| 16       | 88679     | ASSY-TUBE-PUMP TO SEL. VALVE (LVE-202).....           | 1        |
| 16       | 85869     | ASSY-TUBE-PUMP TO SEL. VALVE (LVE-203/204).....       | 1        |
| A 17*    | 85653     | SWITCH - DRAIN PAN .....                              | 1        |
| 18       | 84282     | VALVE-SELECTOR.....                                   | 1        |
| --       | --        | <b>(See next page for Selector Valve parts)</b> ..... | -        |
| A 19     | 74469     | VALVE - CHECK - 1/2" (Vat Fill).....                  | AR       |
| 20       | FP01-238  | FTG-3/8 NPT STR 45 DEG FLARE .....                    | 1        |
| A 21     | 35472     | CHECK VALVE-PRESSURE .....                            | 2        |
| 22       | FP01-087  | STREET ELBOW-3/8 NPT SS .....                         | 2        |
| 23       | FP02-001  | NIPPLE 3/8 CLOSE.....                                 | 2        |
| 24       | FP01-028  | NIPPLE, CLOSE 1/2 NPT SS 1 LG .....                   | 1        |
| 25       | 17407     | CONNECTOR 1/2 MALE ELBOW .....                        | 1        |
| A 26*    | MS01-572  | PRIMER-LOCTITE-0.8 OZ. (for check valve threads)..... | 1        |

Recommend Parts: A=Truck Stock/B=Dist. Stock

\*not shown

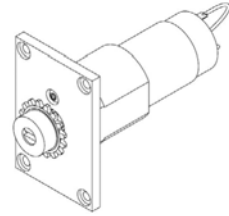
AR - as required (For 77523 see chart on next page)



**84282- VALVE-SELECTOR**

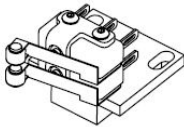
\*The ONLY need for the whole selector valve assembly (84282) to be used for repair would be due to possible shipping damage, fork lift, etc. or damage to the selector valve body ( see the drawing below stainless steel cylinder body in orange )

**84282-001**



| Desc.                      | Qty. | Req. |
|----------------------------|------|------|
| ASSY- SELECTOR VALVE MOTOR | 1    | B    |

**84282-002**



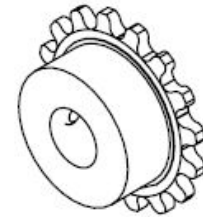
| Desc.                       | Qty. | Req. |
|-----------------------------|------|------|
| ASSY- SELECTOR VALVE SWITCH | 1    | A    |

**84282-003**



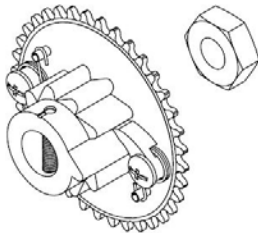
| Desc.                      | Qty. | Req. |
|----------------------------|------|------|
| ASSY- SELECTOR VALVE CHAIN | 1    | -    |

**84282-004**



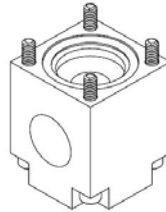
| Desc.                         | Qty. | Req. |
|-------------------------------|------|------|
| ASSY- SELECTOR VALVE SPROCKET | 1    | -    |

**84282-005**



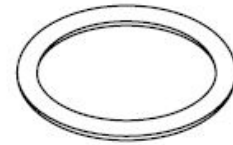
| Desc.                        | Qty. | Req. |
|------------------------------|------|------|
| ASSY- SEL VALVE SPROCKET NUT | 1    | -    |

**84282-006**



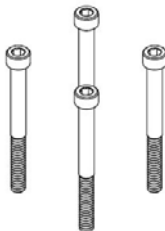
| Desc.                         | Qty. | Req. |
|-------------------------------|------|------|
| ASSY- SELECTOR VALVE MANIFOLD | 1    | -    |

**84282-007**



| Desc.                       | Qty. | Req. |
|-----------------------------|------|------|
| ASSY- SELECTOR VALVE O-RING | 1    | -    |

**84282-008**



| Desc.                  | Qty. | Req. |
|------------------------|------|------|
| ASSY- MANIFOLD FASTERS | 1    | -    |

**84282-009**



| Desc.                | Qty. | Req. |
|----------------------|------|------|
| ASSY- SEL V MOUNTING | 1    | -    |

**84282-010**

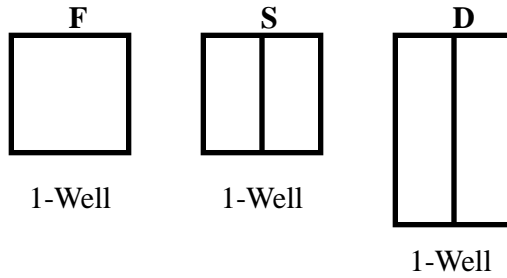


| Desc.                     | Qty. | Req. |
|---------------------------|------|------|
| ASSY- SELECTOR VALVE HARN | 1    | -    |

**SUCTION TUBE SELECTION CHART**

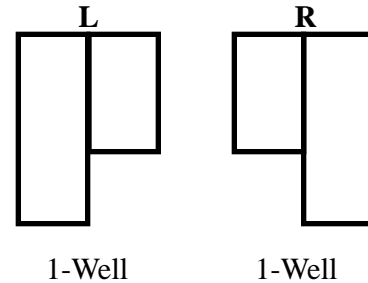
**VARIANT LEGEND**

**F** = Full well - 1 full width shallow vat  
**S** = Split well - 2 narrow shallow vats  
**D** = Split well - 2 narrow deep vats  
**L** = Split well - 2 narrow vats with a deep vat on left and shallow vat on right  
**R** = Split well - 2 narrow vats with a deep vat on right and shallow vat on left



**LVE-202**

| P/N (LENGTH)    | MODEL VARIANTS |                            |                |                |
|-----------------|----------------|----------------------------|----------------|----------------|
|                 | FF             | DS<br>LS<br>SD<br>SR<br>SS | FD<br>FR<br>FS | DF<br>LF<br>SF |
| 77523-001 (12") | 1              | 1                          | 1              | 1              |
| 77523-002 (18") | 1              | 2                          | 2              | 1              |
| 77523-003 (24") | 2              | 2                          | 2              | 2              |
| 77523-004 (30") | 2              | 3                          | 2              | 3              |

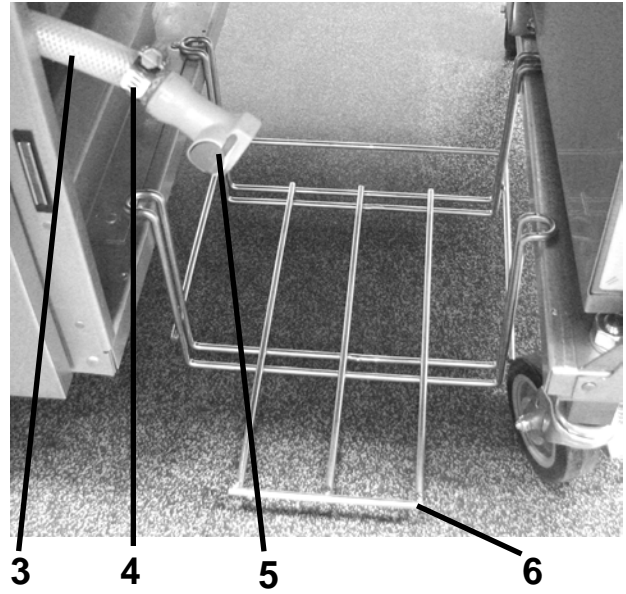
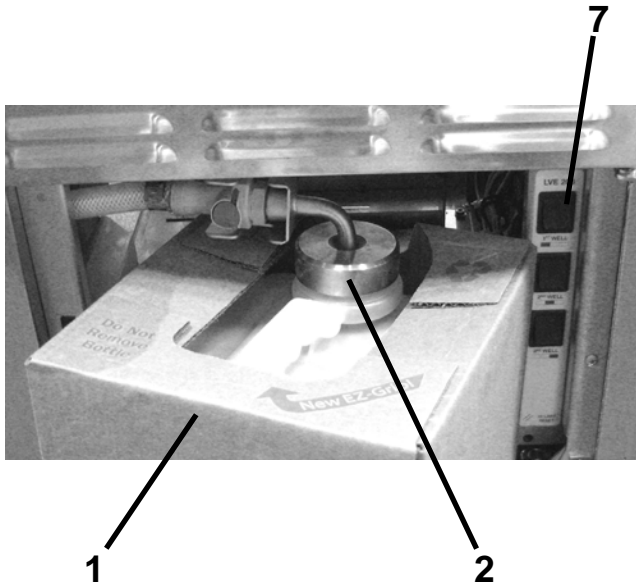


**LVE-203**

| P/N (LENGTH)    | MODEL VARIANTS |                                 |                   |                   |                   |                   |
|-----------------|----------------|---------------------------------|-------------------|-------------------|-------------------|-------------------|
|                 | FFF            | DSS<br>SLS<br>SSD<br>SSR<br>SSS | FSD<br>FSR<br>FSS | FFD<br>FFR<br>FFS | DSF<br>LSF<br>SSF | DFF<br>LFF<br>SFF |
| 77523-002 (18") | 1              | 2                               | 2                 | 2                 | 1                 | 1                 |
| 77523-003 (24") | 2              | 3                               | 3                 | 2                 | 3                 | 2                 |
| 77523-004 (30") | 3              | 3                               | 3                 | 3                 | 3                 | 3                 |
| 77523-005 (36") | 1              | 1                               | 1                 | 1                 | 1                 | 1                 |
| 77523-006 (42") | --             | 1                               | --                | --                | 1                 | 1                 |

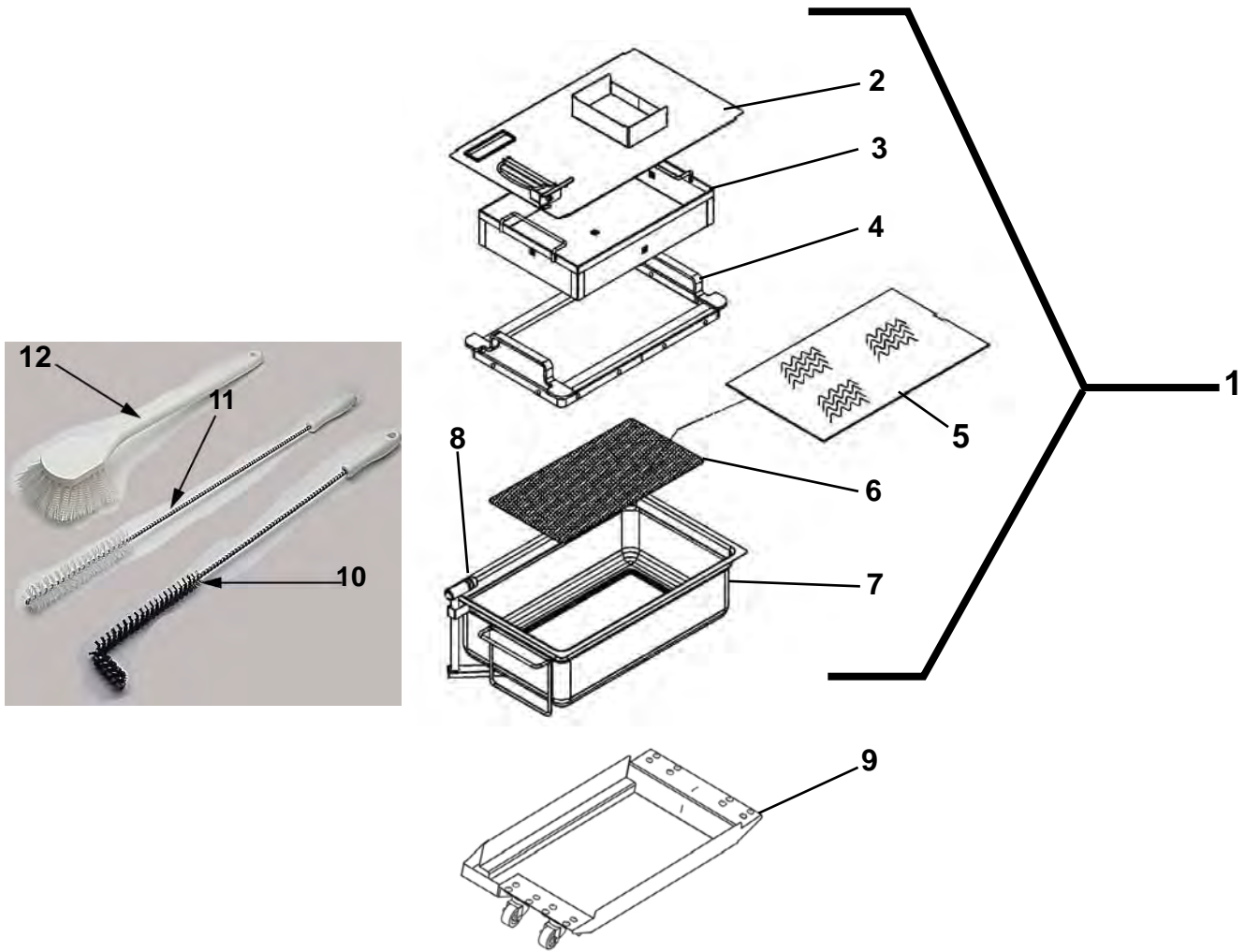
**LVE-204**

| P/N (LENGTH)    | MODEL VARIANTS |                                      |                      |                      |                      |                      |                      |                      |
|-----------------|----------------|--------------------------------------|----------------------|----------------------|----------------------|----------------------|----------------------|----------------------|
|                 | FFFF           | DSSS<br>LSSS<br>SSSD<br>SSSR<br>SSSS | FSSD<br>FSSR<br>FSSS | FFSD<br>FFSR<br>FFSS | FFFD<br>FFFR<br>FFFS | DSSF<br>LSSF<br>SSSF | DSFF<br>LSFF<br>SSFF | DFFF<br>LFFF<br>SFFF |
| 77523-002 (18") | --             | 1                                    | 1                    | 1                    | 1                    | --                   | --                   | --                   |
| 77523-003 (24") | 2              | 3                                    | 3                    | 3                    | 2                    | 3                    | 2                    | 2                    |
| 77523-004 (30") | 2              | 2                                    | 2                    | 2                    | 2                    | 2                    | 2                    | 2                    |
| 77523-005 (36") | 1              | 1                                    | 1                    | 1                    | 1                    | 1                    | 1                    | 1                    |
| 77523-006 (42") | 1              | 2                                    | 2                    | 1                    | 1                    | 2                    | 2                    | 1                    |
| 77523-007 (42") | 1              | 2                                    | 1                    | 2                    | 1                    | 2                    | 2                    | 2                    |
| 77523-010 (54") | 1              | 1                                    | 1                    | --                   | 1                    | 1                    | 1                    | 1                    |



| Item No. | Part No.  | Description                                  | Quantity |
|----------|-----------|--|----------|
| 1        | 03617     | ACCESSORY-JUG-AUTO TOP OFF (EMPTY).....      | 1        |
| B 2      | 85738     | ASSY-JIB TUBE & QUICK DISC.....              | 1        |
| B 2      | 151694    | ASSY-RUSSIAN JIB TUBE .....                  | 1        |
| B 2      | 85737     | ASSY-INT'L. JIB TUBE & QUICK DISC .....      | 1        |
| A 2*     | MS01-561  | O-RING - JIB TUBE .....                      | 1        |
| B 2*     | FP05-017  | DISCONNECT-QUICK-3/8" .....                  | 1        |
| B 3      | 89622-001 | HOSE .....                                   | 1        |
| 4        | MS01-297  | CLAMP-HOSE .....                             | 2        |
| B 5      | FP05-016  | DISCONNECT-QUICK-1/2" .....                  | 1        |
| 6        | 83539     | WELD ASSY - JIB SHELF .....                  | 1        |
| 6        | 87189     | WELD ASSY - JIB SHELF (Singapore only) ..... | 1        |
| 6        | 96441     | RAISED JIB SHELF .....                       | 1        |
| A 7      | 84987     | SWITCH - MOMENTARY SPLASH PROOF.....         | 3        |

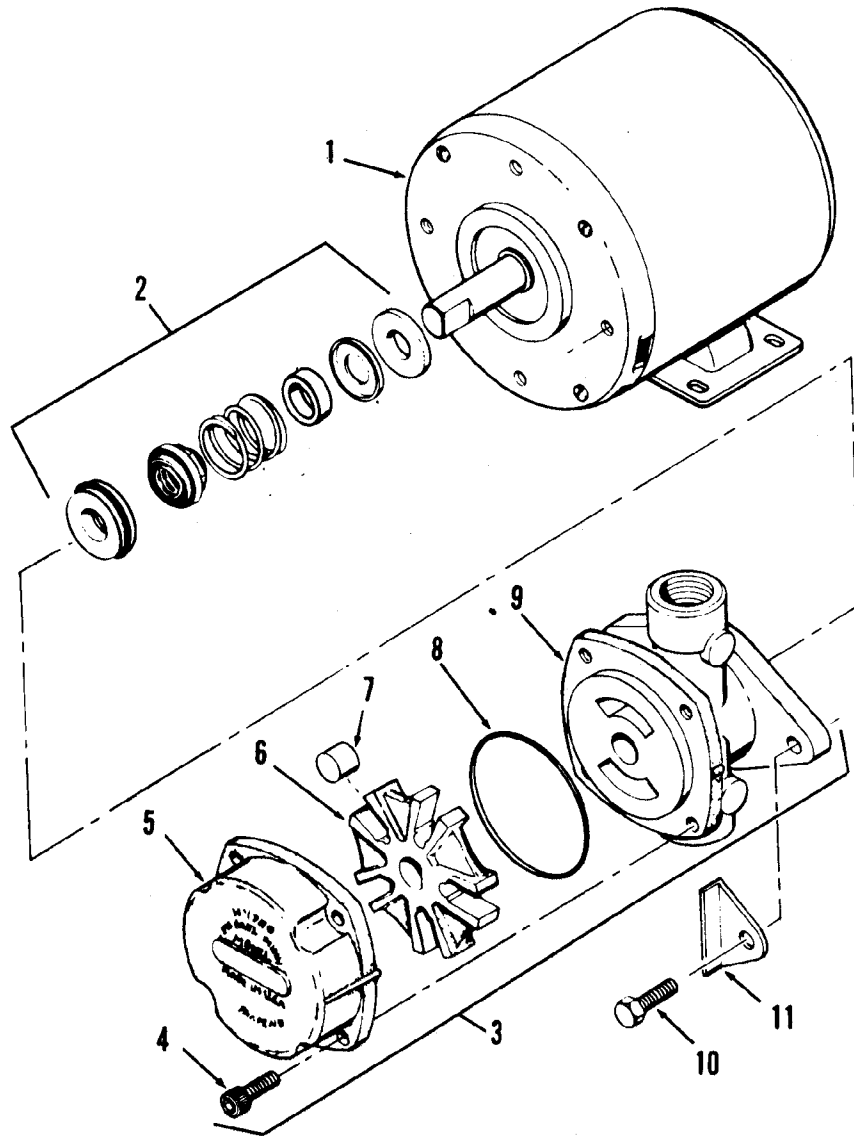
Recommend Parts: A=Truck Stock/B=Dist. Stock  
\*not shown



**Filter Pan Assembly & Cleaning Brushes**

| Item No. | Part No.  | Description   | Quantity |
|----------|-----------|---|----------|
| 1        | 84286     | ASSY - DRAIN PAN - LVE .....  | 1        |
| 2        | 85650     | ASSY-DRAIN PAN COVER.....   | 1        |
| 3        | 85507     | WELD ASSY-CRUMB CATCHER .....   | 1        |
| 4        | 85503     | WELD ASSY-FILTER WEIGHT .....   | 1        |
| 5        | 03190-054 | McD's FILTER KIT (not supplied by Henny Penny).....<br>(includes fryer cleaner, 30 filter pads, & green cleaner pads) | 1        |
| 6        | 85519     | FILTER-SECTION .....  | 1        |
| 7        | 84652     | WELD ASSY-DRAIN PAN.....  | 1        |
| A 8      | 86349     | O-RING-PICKUP TUBE.....   | 3        |
| 9        | 85584     | ASSY-DRAIN PAN DOLLY .....  | 1        |
| 9        | 19004     | CASTER - FILTER PAN .....   | 4        |
| 9        | NS04-005  | LOCKNUT .....   | 16       |
| 9        | SC01-009  | SCREW.....  | 16       |
| B 10     | 12126     | BRUSH - BLACK L.....  | 1        |
| B 11     | 12112     | BRUSH - STRAIGHT WHITE .....  | 1        |
| B 12     | 12116     | BRUSH - FRYER - LONG HANDLE .....   | 1        |

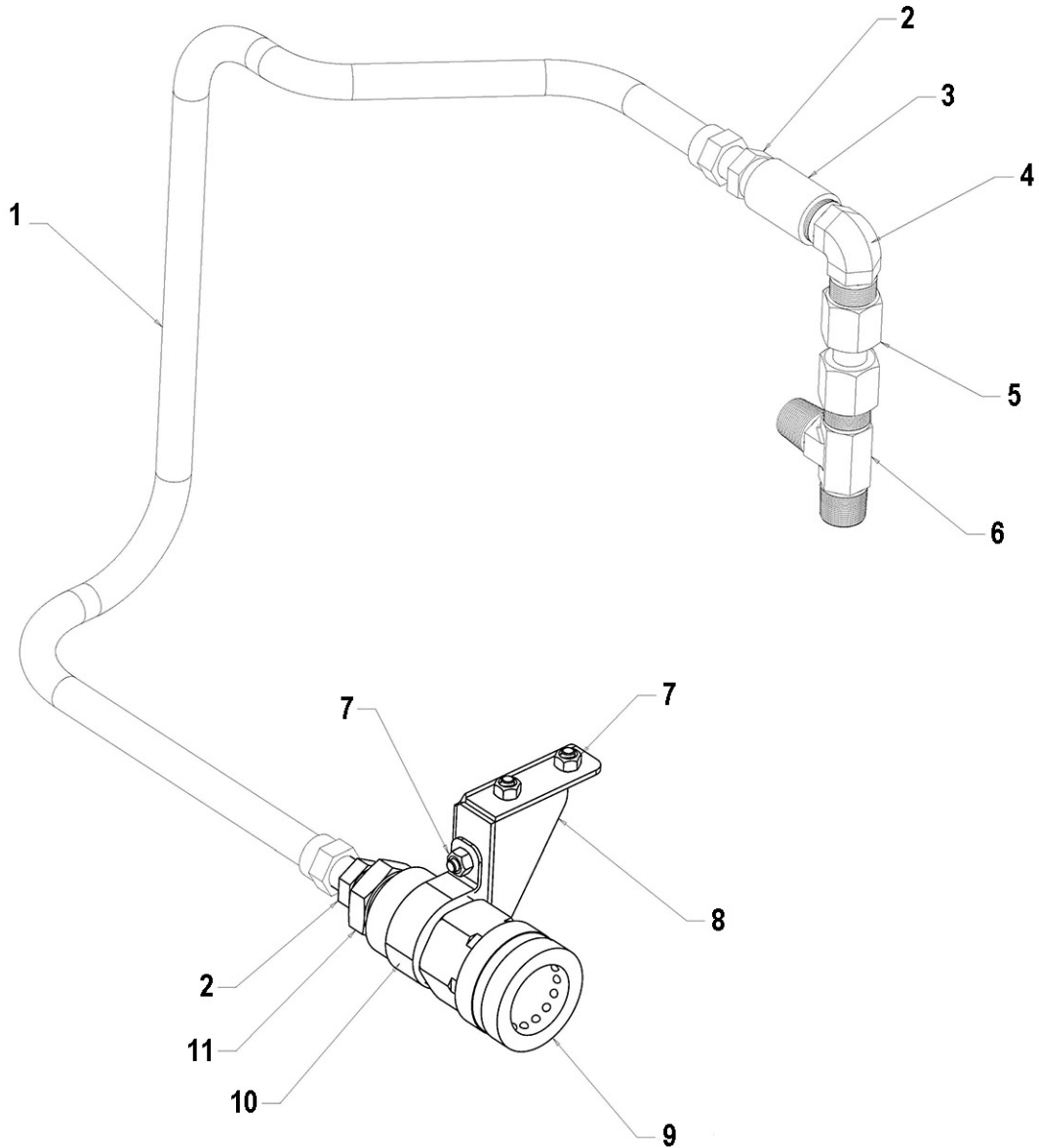
Recommend Parts: A=Truck Stock/B=Dist. Stock



**Filter Motor and Pump**

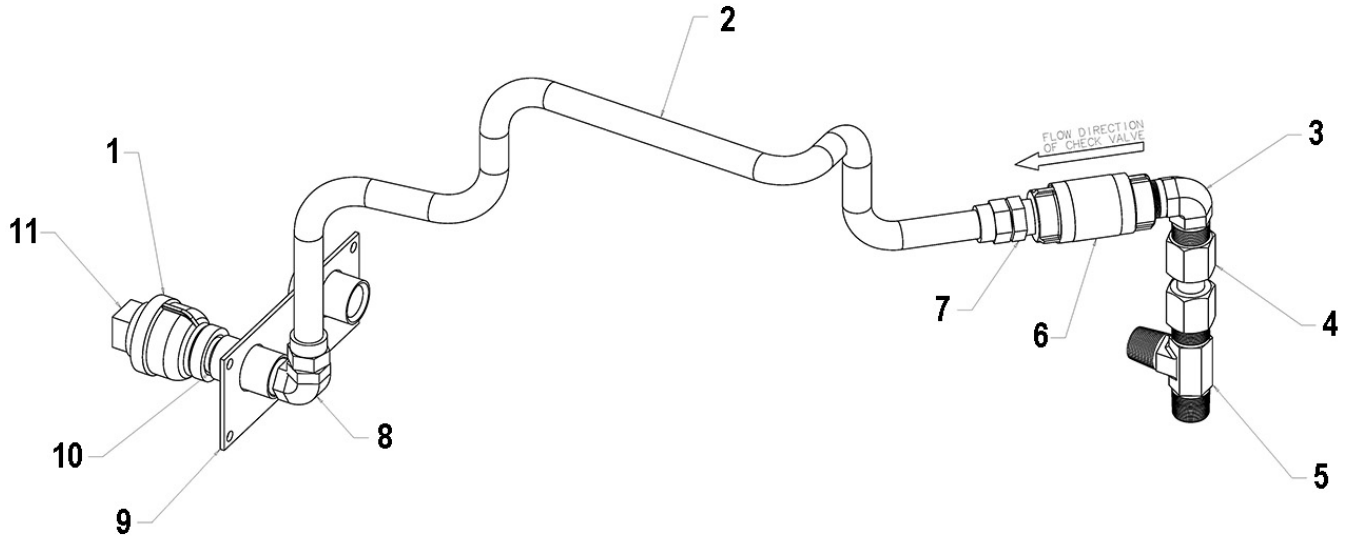
| Item No. | Part No. | Description                     | Quantity |
|----------|----------|---------------------------------|----------|
| A 1      | 67583    | MOTOR, 1/2 HP - 60 Hz .....     | 1        |
| A 1      | 92850    | MOTOR, 1/2 HP - 50 Hz - CE..... | 1        |
| A 2      | 17476    | SEAL KIT .....                  | 1        |
| B 3      | 17437    | PUMP ASSEMBLY .....             | 1        |
| 4        | SC01-132 | SCREW, Pump Cover .....         | 1        |
| 5        | 17451    | COVER, Pump.....                | 1        |
| B 6      | 17447    | ROTOR, Pump.....                | 1        |
| A 7      | 17446    | ROLLER, Pump.....               | 5        |
| A 8      | 17453    | O-RING.....                     | 1        |
| 9        | 17454    | BODY, Pump .....                | 1        |
| 10       | SC01-026 | SCREW, Pump Shield.....         | 1        |
| 11       | 17456    | SHIELD, Pump.....               | 2        |

Recommend Parts: A=Truck Stock/B=Dist. Stock



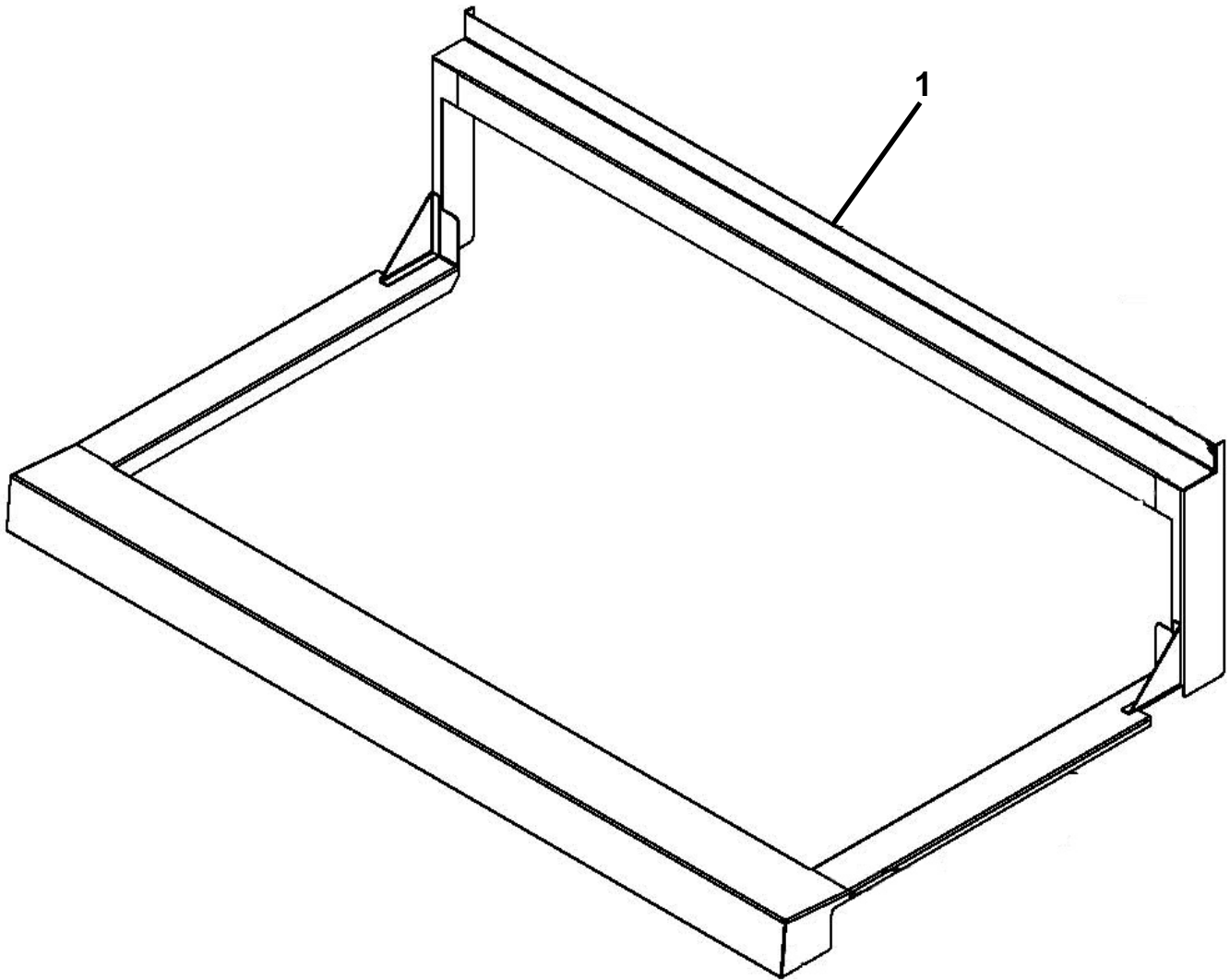
**Oil Disposal Plumbing-France**

| Item No. | Part No.  | Description                              | Quantity |
|----------|-----------|--|----------|
| 1        | 77523-004 | TUBE-SUCTION-30IN-FLEXIBLE.....          | 1        |
| 2        | FP01-242  | FITTING-1/2 NPT M TO 45 FLARE M .....    | 2        |
| 3        | FP01-066  | COUPLING 1/2 NPT SS .....                | 1        |
| 4        | 17407     | CONNECTOR 1/2 MAIL ELBOW .....           | 1        |
| 5        | 84288     | ASSY-PLUG & PLAY (TO PUMP INLET).....    | 1        |
| 6        | FP01-245  | FITTING-PIPE BRANCH TEE-MALE.....        | 1        |
| 7        | NS04-005  | 1/4-20 HEX NUT, LOCKING, ZINC.....       | 4        |
| 8        | 86685     | STUD ASSY-FRENCH DRAIN MTG BRKT .....    | 1        |
| 9        | 80752     | FITTING-QUICK COUPLE FEMALE .....        | 1        |
| 10       | 86690     | CLAMP-DRAIN TUBE .....                   | 1        |
| 11       | FP01-241  | FITTING-REDUCER-1 NPT M X 1/2 NPT F..... | 1        |



### Oil Disposal Plumbing-Australia

| Item No. | Part No.  | Description                           | Quantity |
|----------|-----------|---------------------------------------|----------|
| 1        | FP01-217  | COUPLE-REDUCE 1 F X 1/2F BI .....     | 1        |
| 2        | 77523-004 | TUBE-SUCTION-30 IN-FLEXIBLE.....      | 1        |
| 3        | 17407     | CONNECTOR 1/2 MAIL ELBOW .....        | 1        |
| 4        | 84288     | ASSY-PLUG & PLAY (TO PUMP INLET)..... | 1        |
| 5        | FP01-245  | FITTING-PIPE BRANCH TEE-MALE.....     | 1        |
| 6        | 74469     | VALVE-1/2 CHECK.....                  | 1        |
| 7        | FP01-242  | FITTING-1/2 NPT M TO 45 FLARE M ..... | 1        |
| 8        | FP01-205  | ELBOW-1/2 IN NPT MALE 45 FLARE .....  | 1        |
| 9        | 85701     | WELD ASSY-RTI OIL CONNECTION .....    | 1        |
| 10       | FP01-023  | NIPPLE - 1/2 INCH CLOSE BLACK .....   | 1        |
| 11       | FP01-218  | PLUG-1 PIPE-BI .....                  | 1        |



**Fry Cap**

| <b>Item No.</b> | <b>Part No.</b> | <b>Description</b>                | <b>Quantity</b> |
|-----------------|-----------------|-----------------------------------|-----------------|
| 1               | 03618           | ACCESSORY-FRY CAP - LVE-202 ..... | 1               |
| 1               | 03619           | ACCESSORY-FRY CAP - LVE-203 ..... | 1               |
| 1               | 03620           | ACCESSORY-FRY CAP - LVE-204 ..... | 1               |