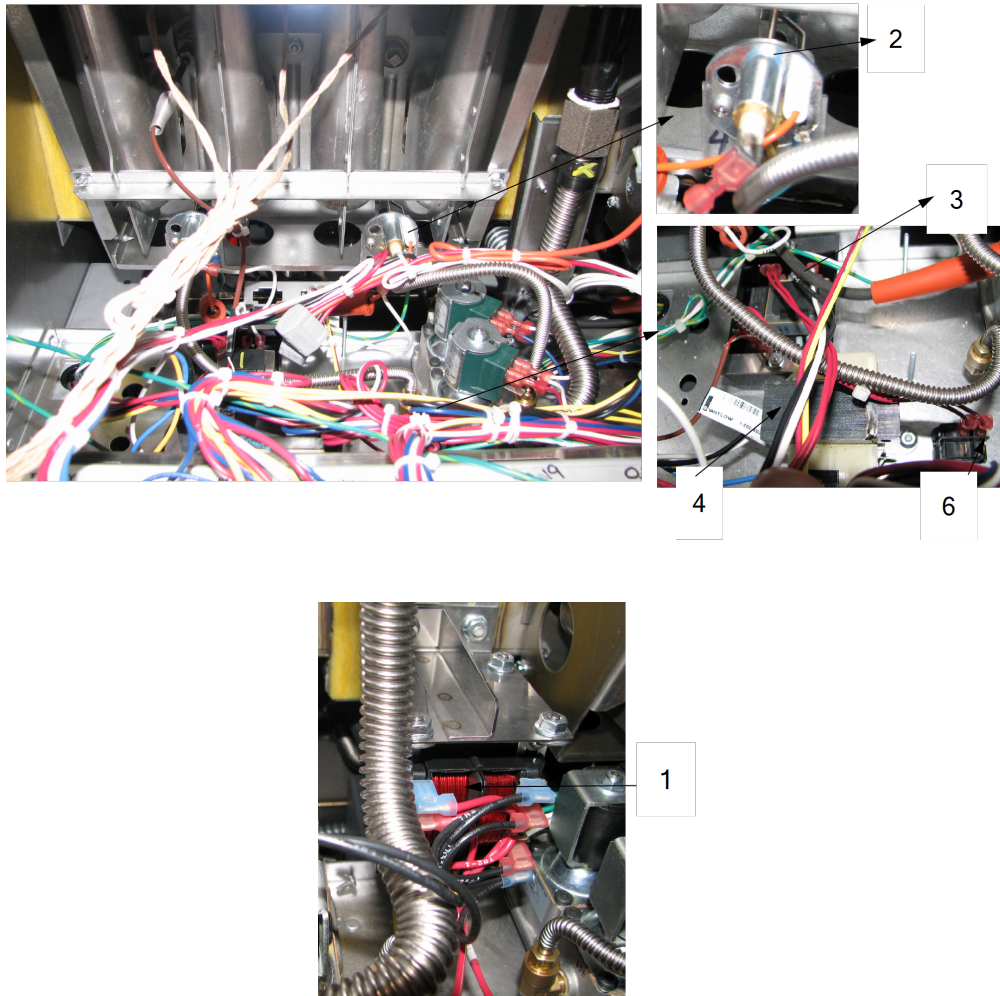




For the most up-to-date parts information, visit <https://parts.hennypennyhelp.com>.

Behind Control Assembly



Item No.	Part No.	Description	Qty.	Stocking Level
1	TS22-012	AIF transformer	1	A
1	90571	AIF transformer harness, 120 VAC	1	
1	95015	AIF transformer harness, 230 VAC	1	



For the most up-to-date parts information, visit
<https://parts.hennypennyhelp.com>.

Item No.	Part No.	Description	Qty.	Stocking Level
2	140296	Spark ignitor (pilot) assembly kit (Natural)	2/vat	A
2	140297	Spark ignitor (pilot) assembly kit (LP)	2/vat	A
3	175915-003	Service Pack - Single high limit control, 120 VAC, 430°F - Gen 1, Red Sticker (Before 12/2020)	1/vat	A
3	175915-004	Service Pack - Single high limit control, 230 VAC, 430°F - Gen 1, Brown Sticker (Before 12/2020)	1/vat	A
3	175915-008	Service Pack - Dual high limit control, 100-240 VAC, 430°F - Gen 1, Red Sticker (After 1/2021) - Gen 2, Black Diamond (11/2022 and after) Note: Dates are production implementation dates. Gen 2 is newest design. - Gen 2 can replace a Gen 1 - Gen 1 cannot replace a Gen 2	1/vat	A
4	86086	Transformer assembly, 120 VAC, 24V, 24 in. wire length	1/vat	A
4	86087	Transformer assembly, 240 VAC, 24V, 24 in. wire length	1/vat	A
6	84987	High limit reset switch, N/O, (Before 12/2020)	1/vat	A
6	157360	High limit reset switch, N/C, (After 12/2020)	1/vat	A



For the most up-to-date parts information, visit
<https://parts.hennypennyhelp.com>.

Item No.	Part No.	Description	Qty.	Stocking Level
7*	76979	Orifices - See Burner Assembly	4/vat	A
8*	82491	Pilot flex tube, 1/4 x 12 in, SS¹	2/control	
9*	81553	Heat exchanger muffle	4/control	
10*	81554	Heat exchanger wedge	4/control	
11*	140210	Gas conversion kit, natural to LP, split vat, elevation up to 5000 ft (1524 m)	1/vat	
11*	140211	Gas conversion kit, natural to LP, full vat, elevation up to 5000 ft (1524 m)	1/vat	
11*	140214	Gas conversion kit, LP to natural, split vat, elevation up to 5000 ft (1524 m)	1/vat	
11*	140215	Gas conversion kit, LP to natural, full vat, elevation up to 5000 ft (1524 m)	1/vat	
11*	140216	Gas conversion kit, natural to LP, split vat, elevation 5000-10,000 ft (1524 m - 3048 m)	1/vat	
11*	140217	Gas conversion kit, natural to LP, full vat, elevation 5000-10,000 ft (1524-3048 m)	1/vat	
11*	140218	Gas conversion kit, LP to natural, split vat, elevation 5000-10,000 ft (1524-3048 m)	1/vat	
11*	140219	Gas conversion kit, LP to natural, full vat, elevation 5000-10,000 ft (1,524-3048 m)	1/vat	

¹Stainless steel



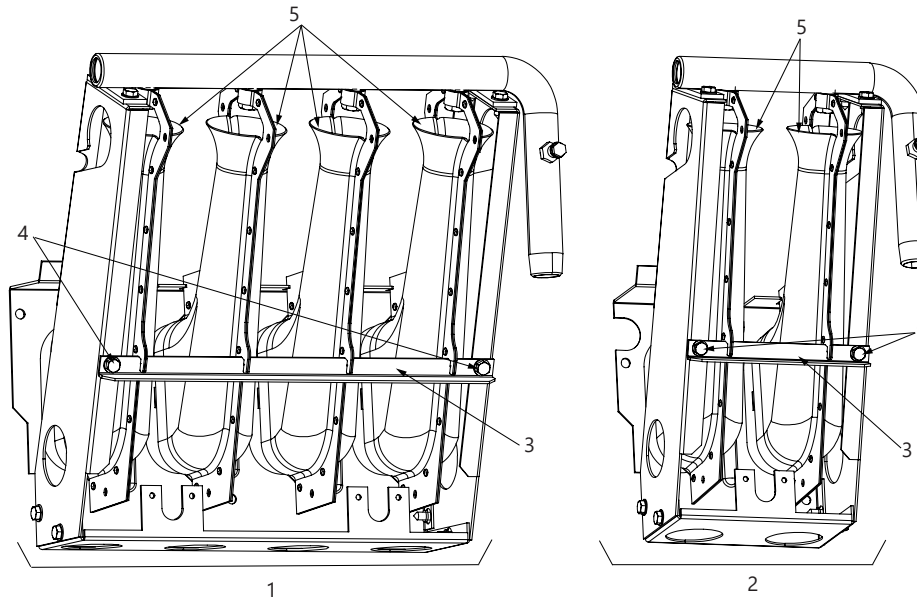
For the most up-to-date parts information, visit
<https://parts.hennypennyhelp.com>.

Item No.	Part No.	Description	Qty.	Stocking Level
11*	140220	Gas conversion kit, standard to high altitude, natural to natural, full/split vat, elevation 0-5000 ft (0-1524 m) to 5000-10,000 ft (1524-3048 m)	1/vat	
11*	140221	Gas conversion kit, standard to high altitude, LP to LP, full/split vat, elevation 0-5000 ft (0-1524 m) to 5000-10,000 ft (1524-3048 m)	1/vat	
11*	140222	Gas conversion kit, high to standard altitude, natural to natural, full/split vat, elevation 5000-10,000 ft (1524-3048 m) to 0-5000 ft (0-1524 m)	1/vat	
11*	140223	Gas conversion kit, high to standard altitude, LP to LP, full/split vat, elevation 5000-10,000 ft (1524-3048 m) to 0-5000 ft (0-1524 m)	1/vat	
12*		Suppression (ignition) cable, See Ignition Modules		



For the most up-to-date parts information, visit
<https://parts.hennypennyhelp.com>.

Burner Assembly



Item No.	Burner Part No.	Description				Qty.
		Vat Type	Burner Orifice Part No.	Gas Type	Altitude	
1	77941-001	Full	76921-001	Natural	< 5,000	1/vat
1	77941-001	Full	76921-001	I2H, I2E	< 5,000	1/vat
1	77941-002	Full	76921-002	Propane	< 5,000	1/vat
1	77941-002	Full	76921-002	I3P	< 5,000	1/vat
1	77941-003	Full	76921-003	Natural	5,000-10,000	1/vat
1	77941-005	Full	76921-005	I2S	n/a	1/vat



For the most up-to-date parts information, visit
<https://parts.hennypennyhelp.com>.

Item No.	Burner Part No.	Description				Qty.
		Vat Type	Burner Orifice Part No.	Gas Type	Altitude	
1	77941-006	Full	76921-006	I2E+	n/a	1/vat
1	77941-007	Full	76921-007	I2L, I2HS	n/a	1/vat
1	77941-008	Full	76921-008	I3B/P	n/a	1/vat
1	77941-008	Full	76921-008	LP mix	n/a	1/vat
1	77941-010	Full	76921-010	I3A	n/a	1/vat
1	77941-011	Full	76921-011	I3B/P, I3P	n/a	1/vat
1	77941-012	Full	76921-012	I3B/P, I3P	n/a	1/vat
1	77941-013	Full	76921-013	Propane	5,000-10,000	1/vat
1	-	Full	76921-015 -only used on fryers located in Hungary	Hungary-Natural	N/A	1/vat
2	77942-001	Split	76921-001	Natural	< 5,000	1/vat
2	77942-001	Split	76921-001	I2H, I2E	< 5,000	1/vat
2	77942-002	Split	76921-002	Propane	< 5,000	1/vat
2	77942-002	Split	76921-002	I3P	< 5,000	1/vat
2	77942-004	Split	76921-004	Natural	5,000-10,000	1/vat
2	77942-005	Split	76921-005	I2S	n/a	1/vat
2	77942-006	Split	76921-006	I2E+	n/a	1/vat



For the most up-to-date parts information, visit
<https://parts.hennypennyhelp.com>.

Item No.	Burner Part No.	Description				Qty.
		Vat Type	Burner Orifice Part No.	Gas Type	Altitude	
2	77942-007	Split	76921-007	I2L, I2HS	n/a	1/vat
2	77942-008	Split	76921-008	I3B/P	n/a	1/vat
2	77942-008	Split	76921-008	LP Mix	n/a	1/vat
2	77942-010	Split	76921-010	I3A	n/a	1/vat
2	77942-011	Split	76921-011	I3B/P, I3P	n/a	1/vat
2	77942-012	Split	76921-012	I3B/P, I3P	n/a	1/vat
2	77942-013	Split	76921-013	Propane	n/a	1/vat
2	-	Split	76921-015 -only used on fryers located in Hungary	Hungary-Natural	N/A	1/vat
3	N/A¹	Full	Support burner			-
3	N/A²	Split	Support burner			-
4	N/A³	Both	Control mounting bracket screw			-
5	N/A⁴	Both	Angled burner tube			-
Recommended Parts: A = Truck Stock; B = Dist. Stock						

¹For service use burner assembly

²For service use burner assembly

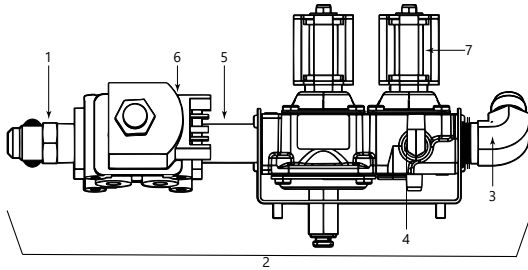
³For service use burner assembly

⁴For service use burner assembly

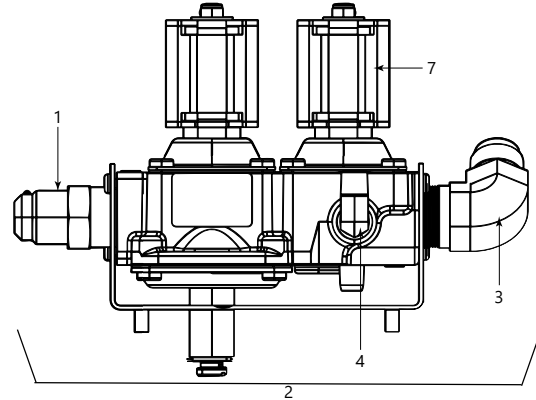


For the most up-to-date parts information, visit
<https://parts.hennypennyhelp.com>.

Gas Valve Assembly



CE Gas Valve Assembly



Non-CE Gas Valve Assembly

Item No.	Part No.	Description	Qty.	Stocking Level
1	87663-101	Gas valve service pack, full vat, Natural	1/vat	A
1	87663-102	Gas valve service pack, split vat, Natural	1/vat	A
1	87663-103	Gas valve service pack, full vat, LP	1/vat	A
1	87663-104	Gas valve service pack, split vat, LP	1/vat	A
1	87663-105	Gas valve service pack, full vat, Natural, CE	1/vat	A
1	87663-106	Gas valve service pack, left split vat, Natural, CE	1/vat	A
1	87663-107	Gas valve service pack, full vat, LP, CE	1/vat	A
1	87663-108	Gas valve service pack, left split vat, LP, CE	1/vat	A
1	87663-109	Gas valve service pack, right split vat, Natural, CE	1/vat	A



For the most up-to-date parts information, visit
<https://parts.hennypennyhelp.com>.

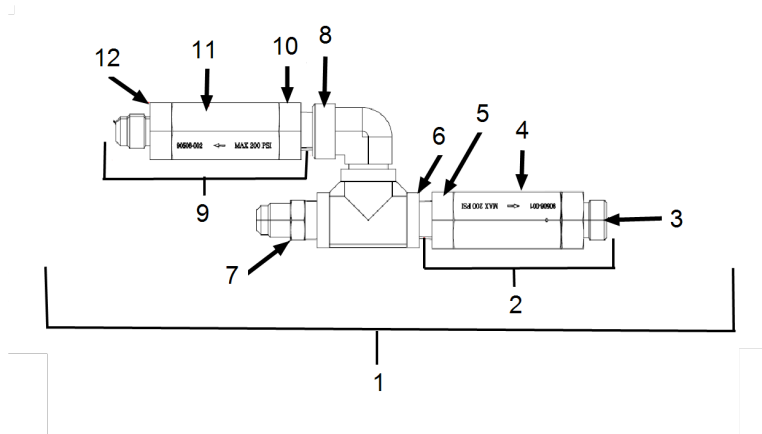
Item No.	Part No.	Description	Qty.	Stocking Level
1	87663-110	Gas valve service pack, right split vat, LP, CE	1/vat	A
2	FP01-242	1/2 in. NPT¹ M to 45 degree flare M fitting	1	
3	FP01-205	1/2 in NPT male 45 degree flare elbow	1	
4	FP05-004	1/4 in tube to 1/8 in. pipe Z elbow	2 / full 1 / split	
5	FP02-012	1/2 in. x 2 304 SS nipple	1	
6	176159	Safety valve service pack	1	
7	173085	Gas valve solenoid coil, 24 VAC	2/vat	
<p>Recommended Parts: A = Truck Stock; B = Dist. Stock * = Not Shown A/R = As Required</p>				

¹National Pipe Tapered



For the most up-to-date parts information, visit
<https://parts.hennypennyhelp.com>.

Check Valve Plumbing Assembly



Item No.	Part No.	Description	Qty.	Stocking Level
1	152165	Check valve plumbing assembly	1	
2	- 152161	Oil check valve assembly	1	
3	-- FP01-259	Fitting-12 SAE, 10 SAE	1	
4	-- 90506-001	Check valve, 3 PSI, 12 SAE	1	A
5	-- FP01-256	Fitting-12 SAE1/2 NPT	1	
6	- FP01-011	Tee-1/2 NPT, pipe, SS	1	
7	- FP01-242	Fitting-1/2 NPT M to 45° flare M	1	
8	- 16239	Elbow, street 90°	1	
9	- 151702	Oil check valve assembly	A/R	
10	-- FP01-256	Fitting-12 SAE, 1/2 NPT	1	
11	-- 90506-002	Check valve, 45 PSI, 12 SAE	1	A



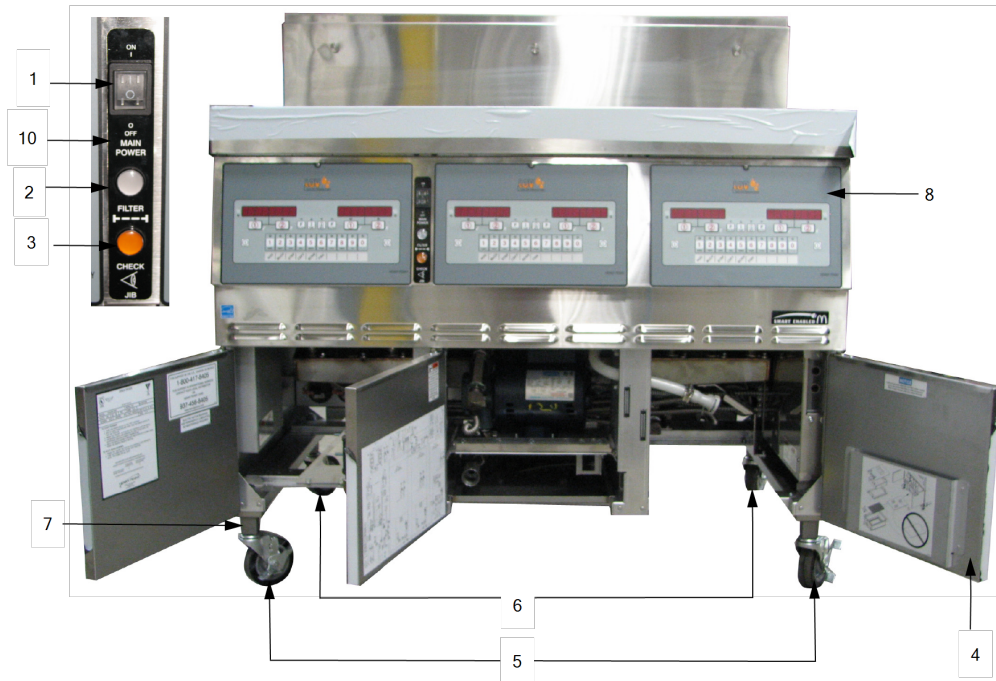
For the most up-to-date parts information, visit
<https://parts.hennypennyhelp.com>.

Item No.	Part No.	Description	Qty.	Stocking Level
12	--FP01-255	Fitting-12 SAE, 45° flare	1	
<p>Recommended Parts: A = Truck Stock; B = Dist. Stock * = Not Shown A/R = As Required</p>				



For the most up-to-date parts information, visit
<https://parts.hennypennyhelp.com>.

Controls, Indicators, and Frame



Item No.	Part No.	Description	Qty.	Stocking Level
1	52224	Power switch	1	A
2	75860	Blue indicator light	1	B
3	75859	Yellow indicator light	1	B
4	-----	Door assemblies	N/A	
5	77575	Caster with brake, 4 in	2	C
6	77679	Caster without brake, 4 in	2	C
7	83937	Caster support model, 202	4	
7	83933	Caster support model, 203-204	4	B



For the most up-to-date parts information, visit
<https://parts.hennypennyhelp.com>.

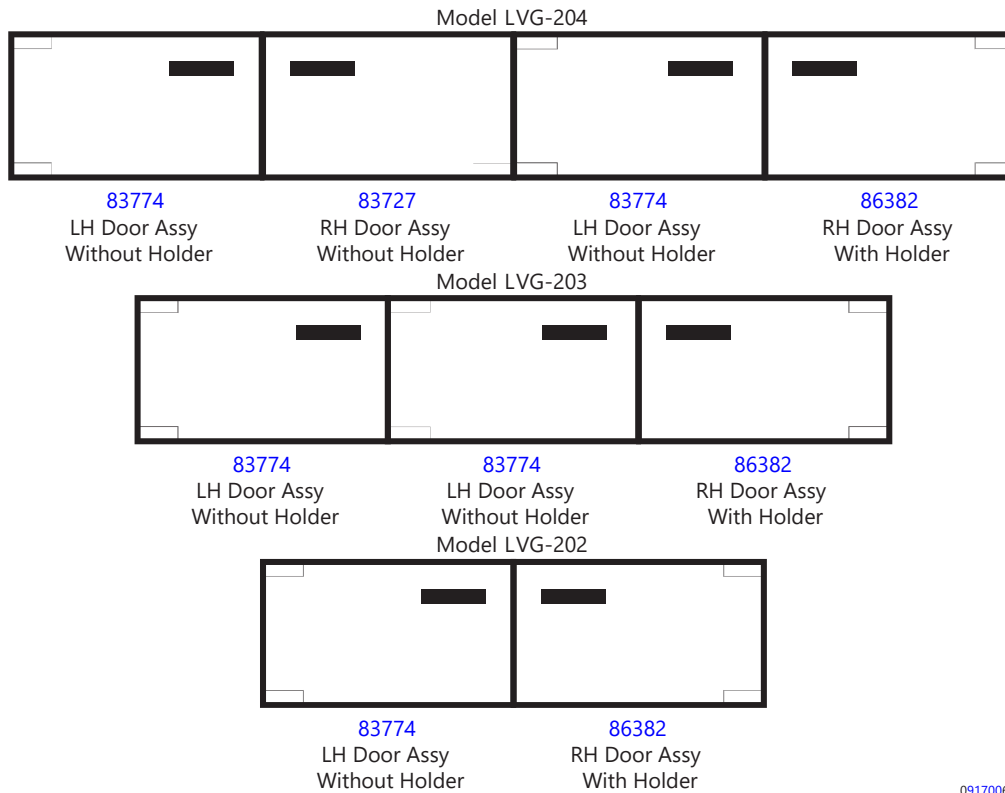
Item No.	Part No.	Description	Qty.	Stocking Level
8	-----	Control board assembly	N/A	
9 *	03647	Split vat cover	1 per vat	
10	77103	Main power switch, filter and check JIB decal	1	
11 *	03646	Full vat cover	1 per vat	
12 *	77842	Basket hanger, 102	1	
12 *	77709	Basket hanger, 103	1	
12 *	77934	Basket hanger, 104	1	
13 *	97974	Tether kit	1	
	12199	Oil test kit	A/R	

Recommended Parts: A = Truck Stock; B = Dist. Stock
*** = Not Shown**



For the most up-to-date parts information, visit
<https://parts.hennypennyhelp.com>.

Door Assembly

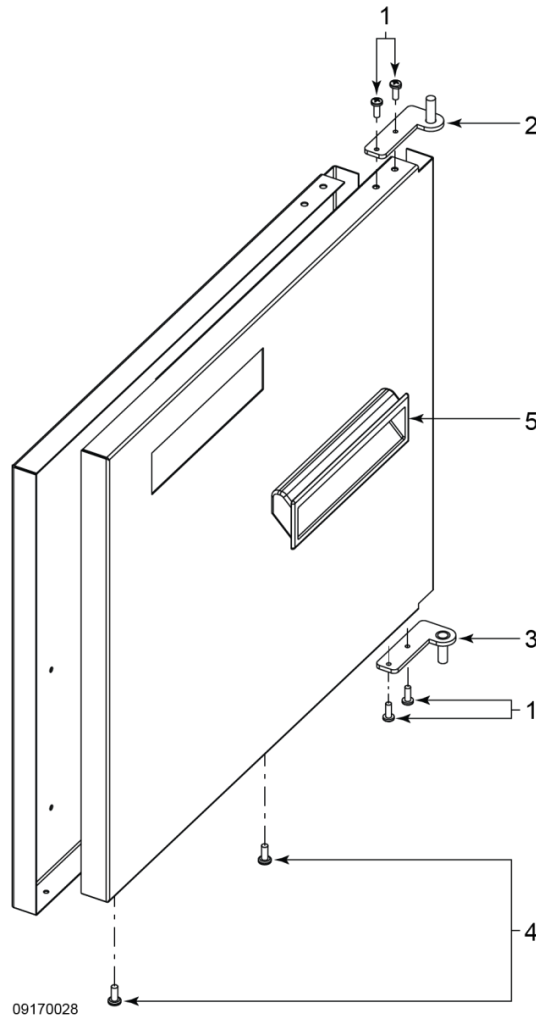


09170060

Door Assembly No.	Top Hinge (Door)	Bottom Hinge (Door)	Left Hinge (Frame)	Right Hinge (Frame)	Bushing
83774	83903	83904	85409	-----	39752
86382	83904	83903	-----	85408	39752
83727	83904	83903	-----	85408	39752



For the most up-to-date parts information, visit
<https://parts.hennypennyhelp.com>.



Item No.	Part No.	Description	Qty.	Stocking Level
1	SC04-001	Screw, #8-32 x 3/8 in, CT¹	4	
2	83904	Door hinge stud assembly, right	1	
3	83903	Door hinge stud assembly, left	1	



For the most up-to-date parts information, visit
<https://parts.hennypennyhelp.com>.

Item No.	Part No.	Description	Qty.	Stocking Level
4	SC04-003	Screw, #8-32 x 3/8 in, CT¹ , HPD, SS²	2	
5	41836	Door handle	1	
Recommended Parts: A = Truck Stock; B = Dist. Stock * = Not Shown				

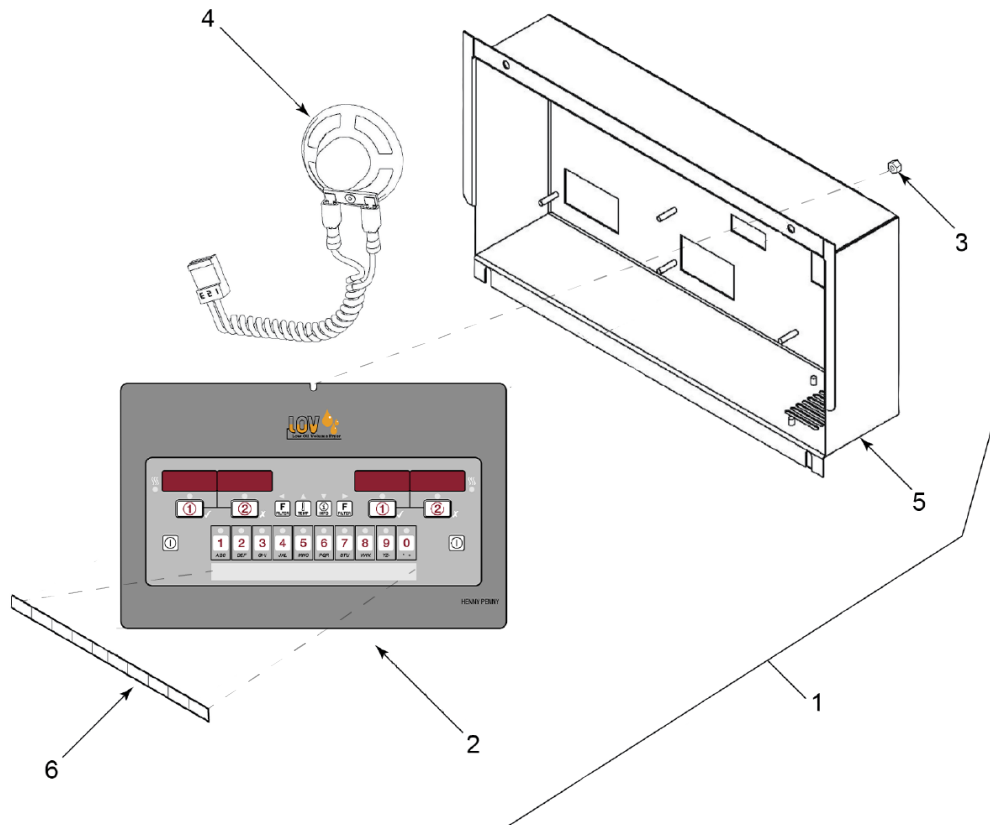
1

2



For the most up-to-date parts information, visit <https://parts.hennypennyhelp.com>.

Control Assembly



Item No.	Part No.	Description	Qty.	Stocking Level
1	97319	Control assembly	1/vat	B
2	85378	Control decal	1/control	A
3	NS02-005	6-32 hex keps nut	23/control	
4	26974	Speaker assembly	1/control	A
5	83498	Control panel cover stud assembly	1/control	



For the most up-to-date parts information, visit
<https://parts.hennypennyhelp.com>.

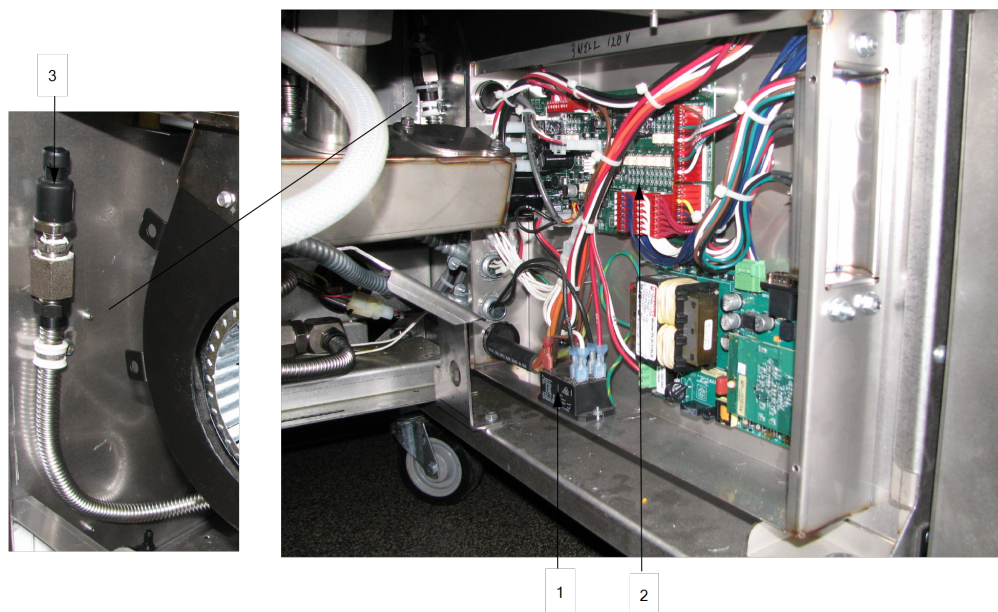
Item No.	Part No.	Description	Qty.	Stocking Level
6	77249	Blank menu card	1/control	
6	77250	FVA Potato menu card	1/control	
6	77251	SPA Protein menu card	1/control	
6	81555	Protein menu card, Canada	1/control	
7*	MS01-571	Terminal extractor tool	1	
8*	140130	MMC Communication kit	1	
9*	82326	Menu strip loading tool	1	
10*	94704-005	JIB communication harness, 22 AWG, red, vat 1	1	
11*	94705-005	JIB communication harness, 22 AWG, white, vat 2	1	
12*	94706-001	JIB communication harness, 22 AWG, blue, vat 3	1	
13*	94707-001	JIB communication harness, 22 AWG, brown, vat 4	1	

Recommended Parts: A = Truck Stock; B = Dist. Stock
*** = Not Shown**



For the most up-to-date parts information, visit
<https://parts.hennypennyhelp.com>.

AIF Electronic Controls Box





For the most up-to-date parts information, visit
<https://parts.hennypennyhelp.com>.





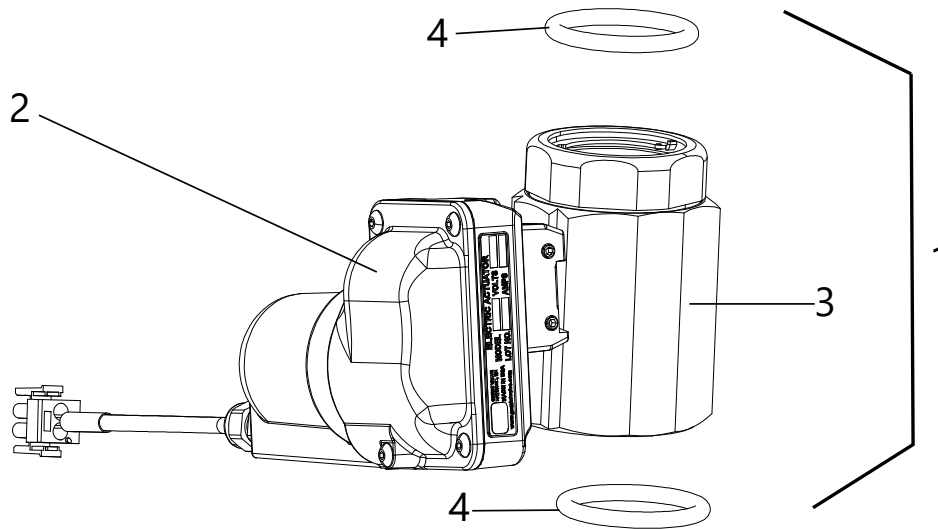
For the most up-to-date parts information, visit
<https://parts.hennypennyhelp.com>.

Item No.	Part No.	Description	Qty.	Stocking Level
1	ME90-008	Pump motor relay, 12 VDC 30 AMP	1	A
2	85698	Common AIF PCB	1	A
3	79213	Pressure transducer, 30 PSI	1	A
4*	84384-002	Pressure transducer harness		
5*	82914	EMC filter board assembly, CE	1	B
6*	80373	Terminal power block, CE	1	B
7	EF02-104	Fuse holder, 20A, 250V (located next to high limit reset switch)	1	A
8*	FA52-010	Fuse, 1.0 AMP, 120V normal block	1	A
Recommended Parts: A = Truck Stock; B = Dist. Stock * = Not Shown				



For the most up-to-date parts information, visit <https://parts.hennypennyhelp.com>.

SmartTouch Drain Valve Assembly



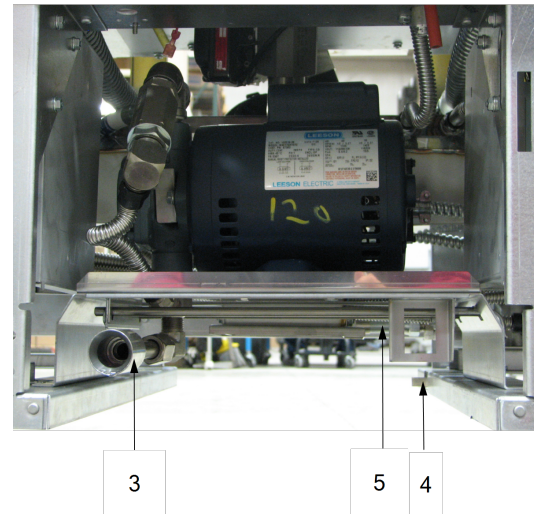
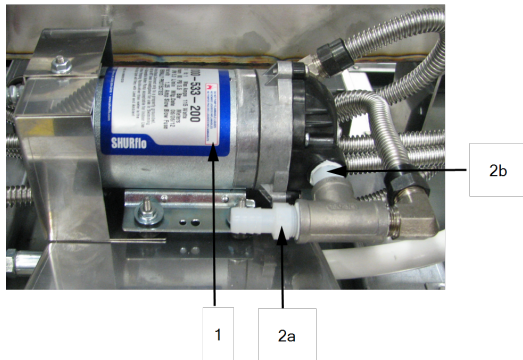
Item No.	Part No.	Description	Qty.	Stocking Level
1		Drain valve and actuator assembly (not covered under warranty)		
2	86157	Drain valve actuator (only)	1	B
3	140244	Drain valve (includes O-ring)	1	B
4	84415	O-ring, 326	2	B
5*	76948	Drain tube to trough o-ring	1/vat	

Recommended Parts: A = Truck Stock; B = Dist. Stock
* = Not Shown



For the most up-to-date parts information, visit
<https://parts.hennypennyhelp.com>.

Oil Top Off Pump and Filter Pump Hardware



Item No.	Part No.	Description	Qty.	Stocking Level
1	97599	JIB pump retrofit service pack, 120 VAC (Before 5/2015)	1	
1	153417-001	- JIB pump, 120 VAC (After 5/2015)	1	A
1	97600	JIB pump retrofit service pack, 208-240 VAC (Before 5/2015)	1	
1	153417-002	- JIB pump, 208-240 VAC (After 5/2015)	1	A
2a	FP01-228	Barbed fitting, 1/2 in hose, 3/8 NPT, Nylon	1	A
2b	FP02-077	Close nipple, 3/8 NPT, Nylon	1	
3	164162	Filter pickup tube assembly	1	



For the most up-to-date parts information, visit
<https://parts.hennypennyhelp.com>.

Item No.	Part No.	Description	Qty.	Stocking Level
3	160834	- Tube end adaptor	1	
4	140537	Drain pan switch replacement kit	1	
5	151486	Filter pump bracket rod	2	
6*	PN01-034	Hair pin style cotter pin	2	
7*	90506-002	Check valve, SAE 12-35 PSI	1	B
8*	80728	EMI filter, 230 VAC only	1	B
9*	151686-002	Filter pump outlet hose, 34 in, LVG 203, 204	1	
10*	140272	Pump prime kit (SN before BU1304119)	1	
Recommended Parts: A = Truck Stock; B = Dist. Stock * = Not Shown A/R = As Required				

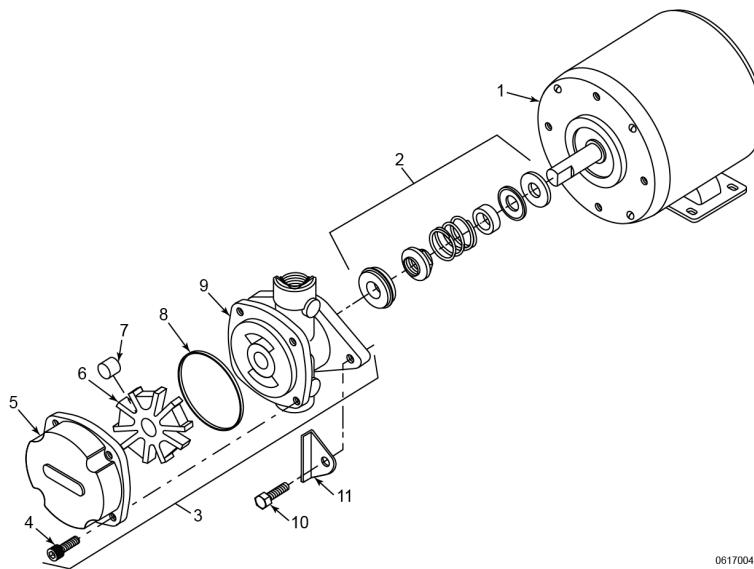


For the most up-to-date parts information, visit
<https://parts.hennypennyhelp.com>.

Filter Pump and Motor Assemblies

Flange Mount Filter Pump Motor Assembly

Serial No. before BU1810136



06170040

Item No.	Part No.	Description	Qty.	Stocking Level
1	67583	Motor, 1/2 HP, 60 Hz	1	A
1	92850	Motor, 1/2 HP, 50 Hz ,CE	1	A
2	17476	Seal kit	1	A
3	171168	5 GPM pump assembly	1	B
4	SC01-132	- Pump cover screw	1	
5	171171	- Pump cover	1	
6	171170	- Pump rotor	1	
7	171169	- Pump roller (set of 5)	1	A



For the most up-to-date parts information, visit
<https://parts.hennypennyhelp.com>.

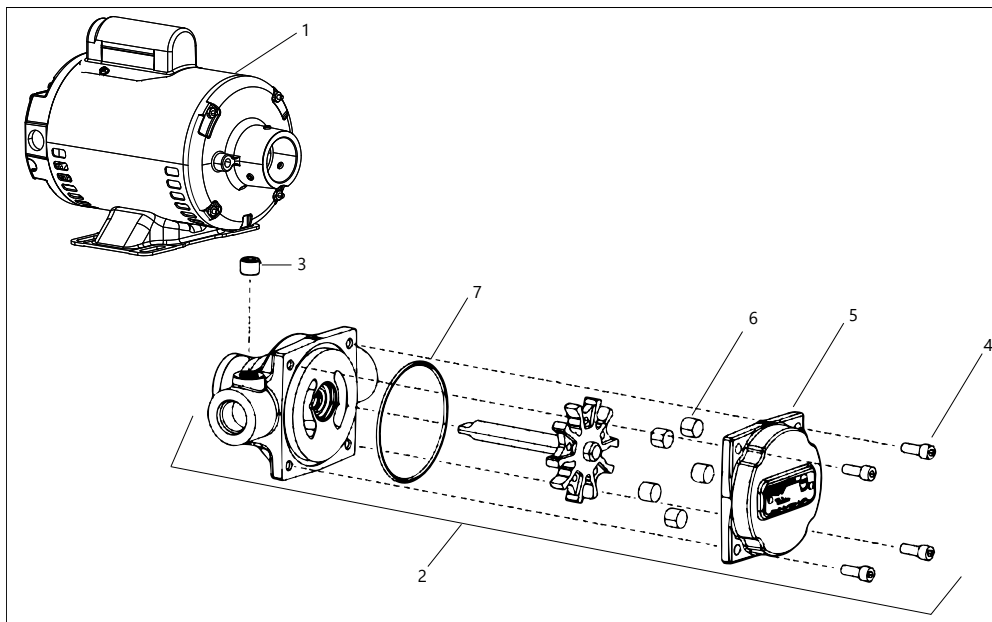
Item No.	Part No.	Description	Qty.	Stocking Level
8	162498	- O-ring	1	B
9	N/A	Pump body not sold separately. Use 171168 .		
10	SC01-026	Pump motor shield screw	1	
11	17456	Pump motor shield, CE	1	

Recommended Parts: A = Truck Stock; B = Dist. Stock

Hub Mount Filter Pump Motor Assembly

Not Included in Original Manufactured Assembly

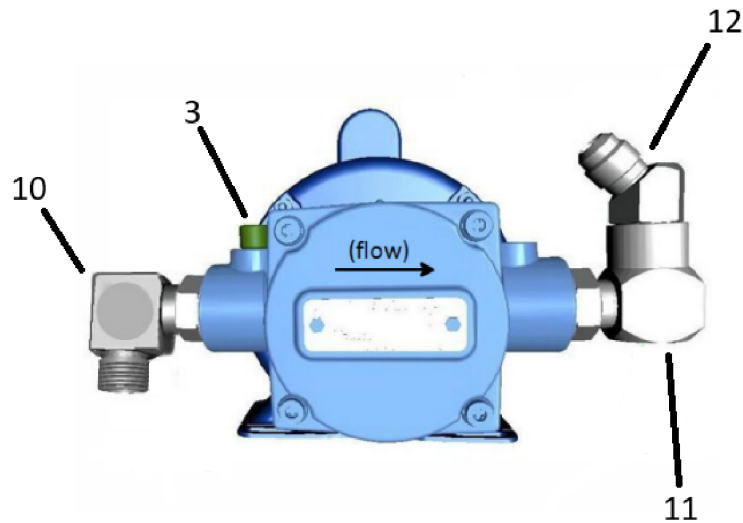
Serial No. after BU1810136



NOTICE - Do not separate the filter pump rotor and body. Separating the rotor and body will cause permanent pump shaft seal damage.



For the most up-to-date parts information, visit
<https://parts.hennypennyhelp.com>.



Item No.	Part No.	Description	Qty.	Stocking Level
1	164184-001	1/2 HP / 60Hz motor	1	A
1	164184-002	1/2 HP / 50Hz motor, CE	1	A
2	164323	5 GPM hub mounted filter pump assembly	1	A
3	-FP01-020	Hex socket plug, 1/4 NPT	1	
4	-SC01-132	Pump cover screw (qty. 50)	A/R	
5		Pump cover not sold separately		
6	-171169	Pump roller kit (set of 5), 5 GPM	1	A
7	-162498	Pump cover o-ring	1	A
8*	140591	Filter pump conversion hardware (BU1304119 to BU1810136 only)	1	
9*	168510	Motor shield, CE	1	
10*	FP01-340	Outlet elbow fitting, SAE 10	1	



For the most up-to-date parts information, visit
<https://parts.hennypennyhelp.com>.

Item No.	Part No.	Description	Qty.	Stocking Level
11	FP01-357	Elbow, SAE 10, O-R, M X 1/2 NPT F	1	
12	FP01-278	Elbow, 45°, 1/2 NPT M X #8 M	1	
Recommended Parts: A = Truck Stock; B = Dist. Stock				

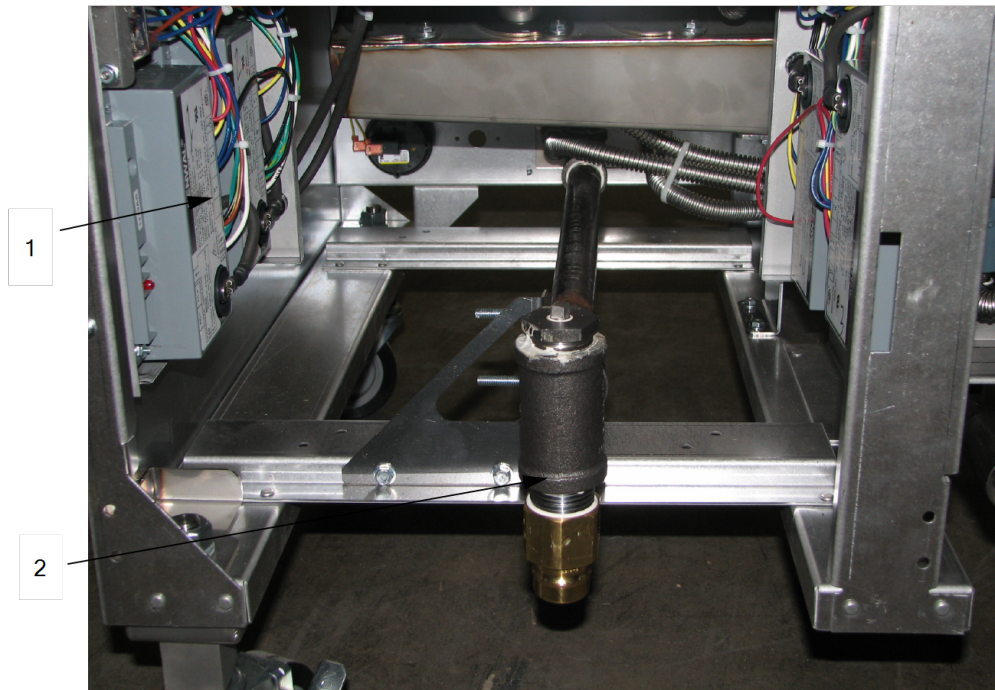
NOTE: Kit [140591](#) does NOT include filter pump or motor. It only includes hardware.

NOTE: Prime retrofit filter pump and motor fittings cannot be used with hub mounted filter pump and motor assembly. Mounting plate holes will not align.



For the most up-to-date parts information, visit <https://parts.hennypennyhelp.com>.

Ignition Modules



Item No.	Part No.	Description	Qty.	Stocking Level
1	77839	Ignition module	2 per vat	A
1	77602	Ignition module (CE)	2 per vat	A
2	-----	Gas piping and manifold	N/A	
3	77923-03	Suppression (ignition) cable, 24 in	A/R	



For the most up-to-date parts information, visit
<https://parts.hennypennyhelp.com>.

Item No.	Part No.	Description	Qty.	Stocking Level
4	60818	Ignition relay, full vat, 24 VAC	1 per vat	A
<p>Recommended Parts: A = Truck Stock; B = Dist. Stock * = Not Shown A/R = As Required</p>				



For the most up-to-date parts information, visit
[https://parts.hennypennyhelp.com.](https://parts.hennypennyhelp.com)



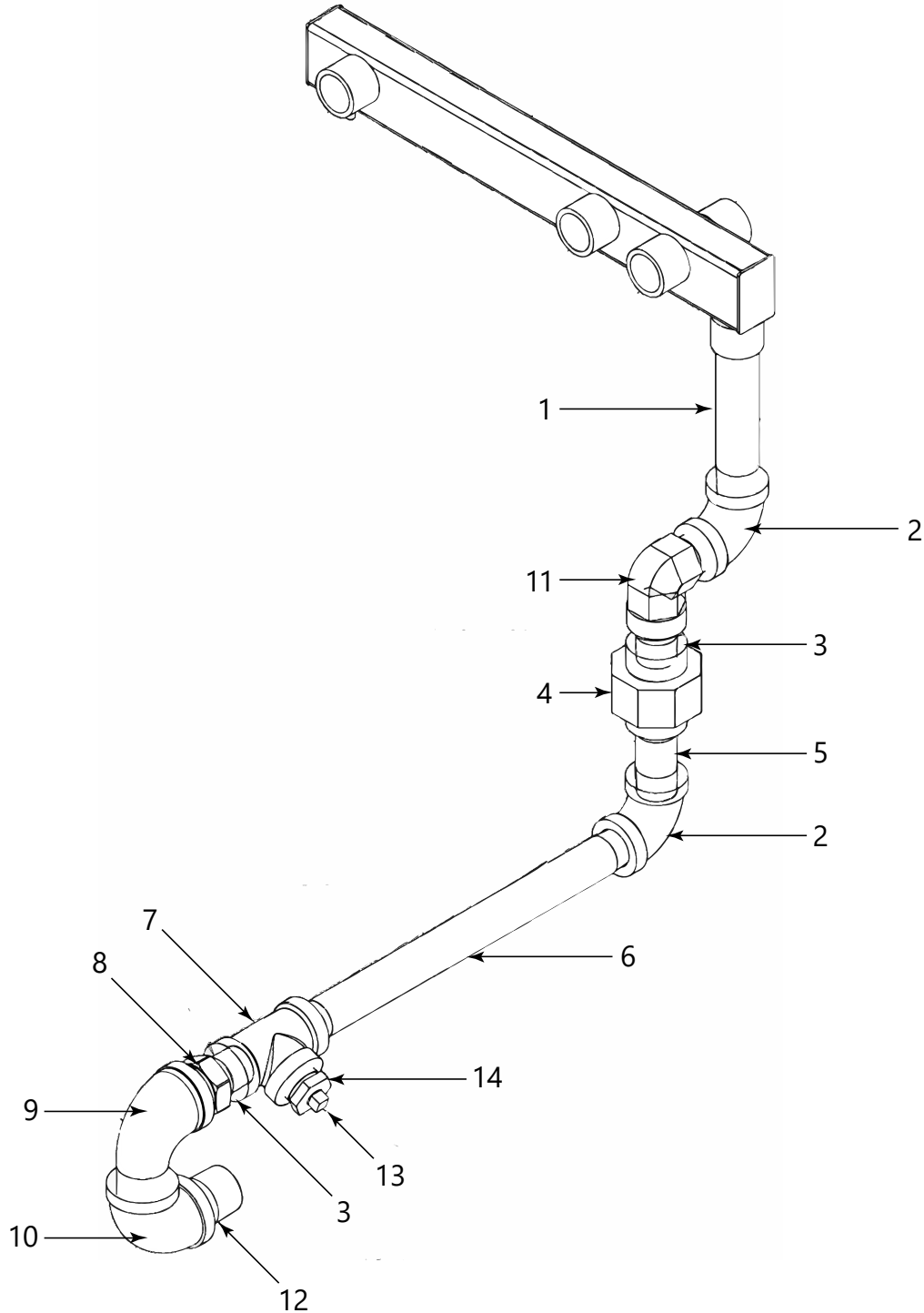
For the most up-to-date parts information, visit
<https://parts.hennypennyhelp.com>.

Gas Piping and Manifold



For the most up-to-date parts information, visit
<https://parts.hennypennyhelp.com>.

2 Vat





For the most up-to-date parts information, visit
<https://parts.hennypennyhelp.com>.

Item No.	Part No.	Description	Qty.	Stocking Level
1	FP02-047	Nipple, 1/2 in x 4 1/2 in long	1	
2	FP01-090	Elbow, 1/2 in x 90 degree, female	2	
3	FP01-023	Close nipple, 1/2 in	2	
4	FP01-150	Union, 1/2 in thread	1	
5	FP01-018	Pipe coupling, 1/2 in STR	1	
6	FP02-071	Brass fitting, 1/2 in female barb, 1/2 in NPT¹	1	
7	FP01-112	Pipe tee, 1/2 in NPT² , female	1	
8	FP01-078	Reducer, 3/4 in male to 1/2 in, female	1	
9	FP01-100	Street elbow, 3/4 in NPT³	1	
10	FP01-098	Elbow, 3/4 in NPT⁴ x 90 degree, female	1	
11	16239	Street elbow, 90 degree	1	
12	16282	Close nipple, 3/4 in	1	
13	FP01-220	Pipe plug, 1/8 in	1	
14	FP01-215	Reducing bushing, 1/2 in x 1/8 in	1	

Recommended Parts: A = Truck Stock; B = Dist. Stock
*** = Not Shown**

¹National Pipe Tapered

²National Pipe Tapered

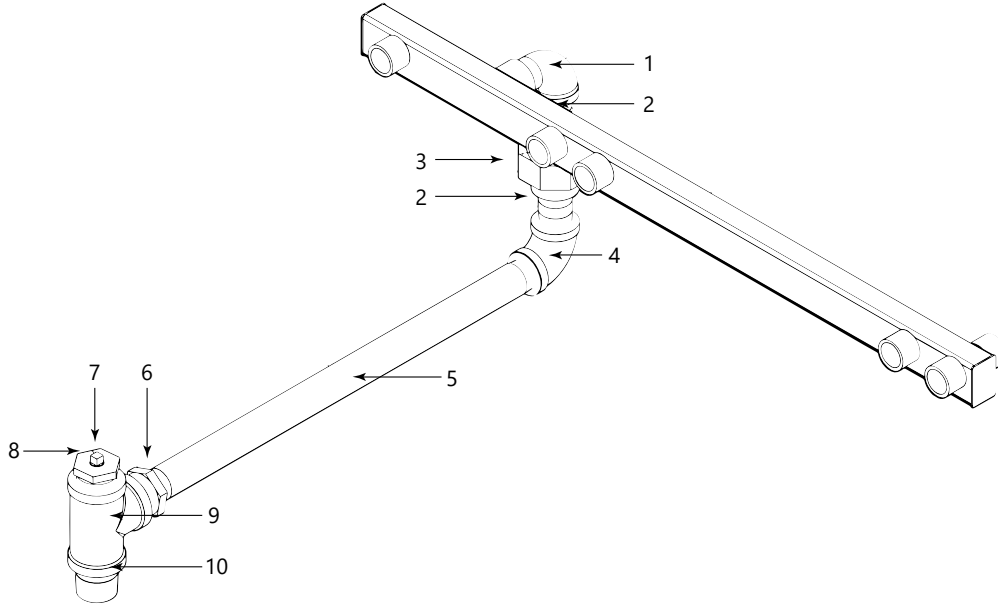
³National Pipe Tapered

⁴National Pipe Tapered



For the most up-to-date parts information, visit
<https://parts.hennypennyhelp.com>.

3 and 4 Vat



Item No.	Part No.	Description	Qty.	Stocking Level
1	FP01-100	Elbow, 3/4 in NPT¹	1	
2	FP02-044	Nipple, 3/4 in x 2 long	2	
3	FP01-141	Union, 3/4 in, 3000 lb	1	
4	FP01-098	Elbow, 3/4 in NPT² x 90 degree, female	1	
5	FP01-032	Nipple, 3/4 in NPT³ x 17 in long	1	
6	FP02-227	Reducer, 1 in male to 3/4 in, female	1	
7	FP01-220	Pipe plug, 1/8 in	1	

¹National Pipe Tapered

²National Pipe Tapered

³National Pipe Tapered

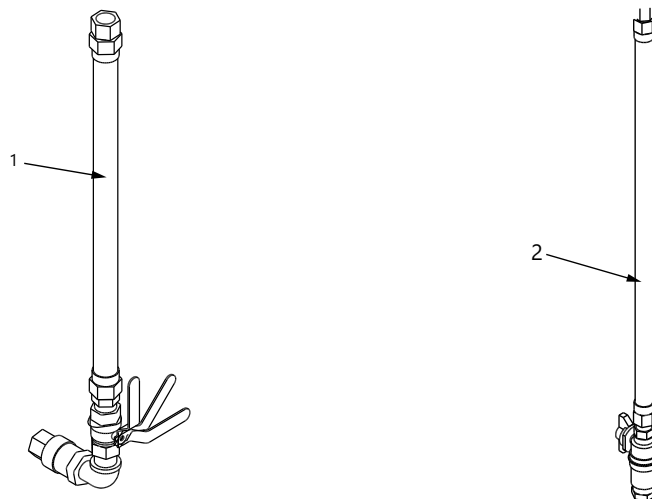


For the most up-to-date parts information, visit
<https://parts.hennypennyhelp.com>.

Item No.	Part No.	Description	Qty.	Stocking Level
8	FP01-214	Reducing bushing, 1 in to 1/8 in	1	
9	FP01-086	Pipe tee, 1 in NPT¹ , female	1	
10	FP01-083	Close nipple, 1 in NPT² , black	1	

Recommended Parts: A = Truck Stock; B = Dist. Stock
 * = Not Shown

Flexible Gas Line Assembly



Item No.	Part No.	Description	Qty.	Stocking Level
1	03758	Flexible gas line with shutoff valve, 72 inch, 3 and 4 vat	1	

¹National Pipe Tapered

²National Pipe Tapered



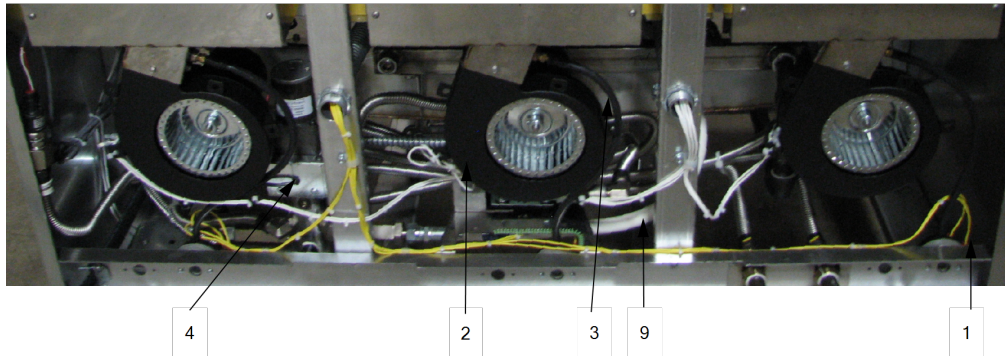
For the most up-to-date parts information, visit
<https://parts.hennypennyhelp.com>.

Item No.	Part No.	Description	Qty.	Stocking Level
2	79327	Flexible gas line with shutoff valve, 36 inch, 2 vat	1	
<p>Recommended Parts: A = Truck Stock; B = Dist. Stock * = Not Shown</p>				



For the most up-to-date parts information, visit
<https://parts.hennypennyhelp.com>.

Rear View





For the most up-to-date parts information, visit
<https://parts.hennypennyhelp.com>.

Item No.	Part No.	Description	Qty.	Stocking Level
1	140939	Kit - pressure switch, 0.80 in WC (before BU1806051) - Pressure switch, .80wc - Edge grommet -Pressure switch tube, 11 in	1/Full 2/Split	A
1	140929	Kit -pressure switch, 0.40 (behind covers) after BU1806052 - Pressure switch, 0.40wc - Edge grommet - Pressure switch tube, 11 in	1/Full 2/Split	A
2	140449	Blower wheel kit, 4 well (before BU1806051)	1	
2	140460	Blower wheel kit, 3 well (before BU1806051)	1	
2	140461	Blower wheel kit, 2 well (before BU1806051)	1	
2	140462	Blower wheel kit, 1 well (before BU1806051)	1	
2	92963-001	Blower motor, 115 VAC before BU1806051	1 per vat	B
2	92963-002	Blower motor, 230 VAC before BU1806051	1 per vat	B
2	162245-001	Blower motor, 115 VAC after BU1806052	1 per vat	B
2	162245-002	Blower motor, 230 VAC after BU1806052	1 per vat	B



For the most up-to-date parts information, visit
<https://parts.hennypennyhelp.com>.

Item No.	Part No.	Description	Qty.	Stocking Level
3	79443-X	Pressure switch tube	A/R	
4		Selector valve		
5	89445	Rear shroud cover, LVG 202 (SN before BU1806051)	1	
5	163016	Rear shroud cover, LVG 202 (SN after BU1806052)	1	
5	86568	Rear shroud cover, LVG 203 (SN before BU1806051)	1	
5	162871	Rear shroud cover, LVG 203 (SN after BU1806052)	1	
5	87558	Rear shroud cover, LVG 204 (SN before BU1806051)	1	
5	162881	Rear shroud cover, LVG 204 (SN after BU1806052)	1	
6	89901	Rear lower cover, LVG 202	1	
6	86567	Rear lower cover, LVG 203	1	
6	87557	Rear lower cover, LVG 204	1	
7	79363	Power cord assembly, 230 VAC, CE	1	C
7	73517	Power cord assembly, 120 VAC, UL	1	C
8 *	82139	Rear spacer bar, LVG 102	1	
8 *	80219	Rear spacer bar, LVG 103	1	
8 *	83792	Rear spacer bar, LVG 104	1	



For the most up-to-date parts information, visit
<https://parts.hennypennyhelp.com>.

Item No.	Part No.	Description	Qty.	Stocking Level
9	-	Filter pump outlet hose See Filter pump outlet hose, 34 in	1	
10*	MS01-637	Blower motor wheel removal tool	1	
11*	90506-001	Vat fill check valve (before BU2006046)	1/vat	A
11*	158282	Vat fill check valve (after BU2006046)	1/vat	
12*	77293	Flue insulation, split vat	2/vat	
12*	77294	Flue insulation, full vat	1/vat	
13*	FP01-213	Hose barb fitting, 1/4, split vat	A/R	
14	FP01-127	1/2 x 1/2, 90° street elbow	A/R	

Recommended Parts: A = Truck Stock; B = Dist. Stock
 * = Not Shown
 A/R = As Required

Pressure Tube Switch Chart

Part No.	Length
79443-1	2.5 in
79443-2	13 in
79443-3	19 in
79443-4	16 in
79443-5	26 in
79443-6	14 in
79443-7	17 in



For the most up-to-date parts information, visit
<https://parts.hennypennyhelp.com>.

Part No.	Length
79443-8	22 in
79443-9	32 in
79443-10	38 in
79443-11	5.5 in
79443-12	11 in
79443-13	15 in

Flex Hose Parts

Part No.	Length
77523-001	12 in
77523-002	18 in
77523-003	24 in
77523-004	30 in
77523-005	36 in
77523-006	42 in
77523-007	48 in
77523-008	7 in
77523-009	13 in
77523-010	54 in
77523-011	10 in
77523-012	8 in



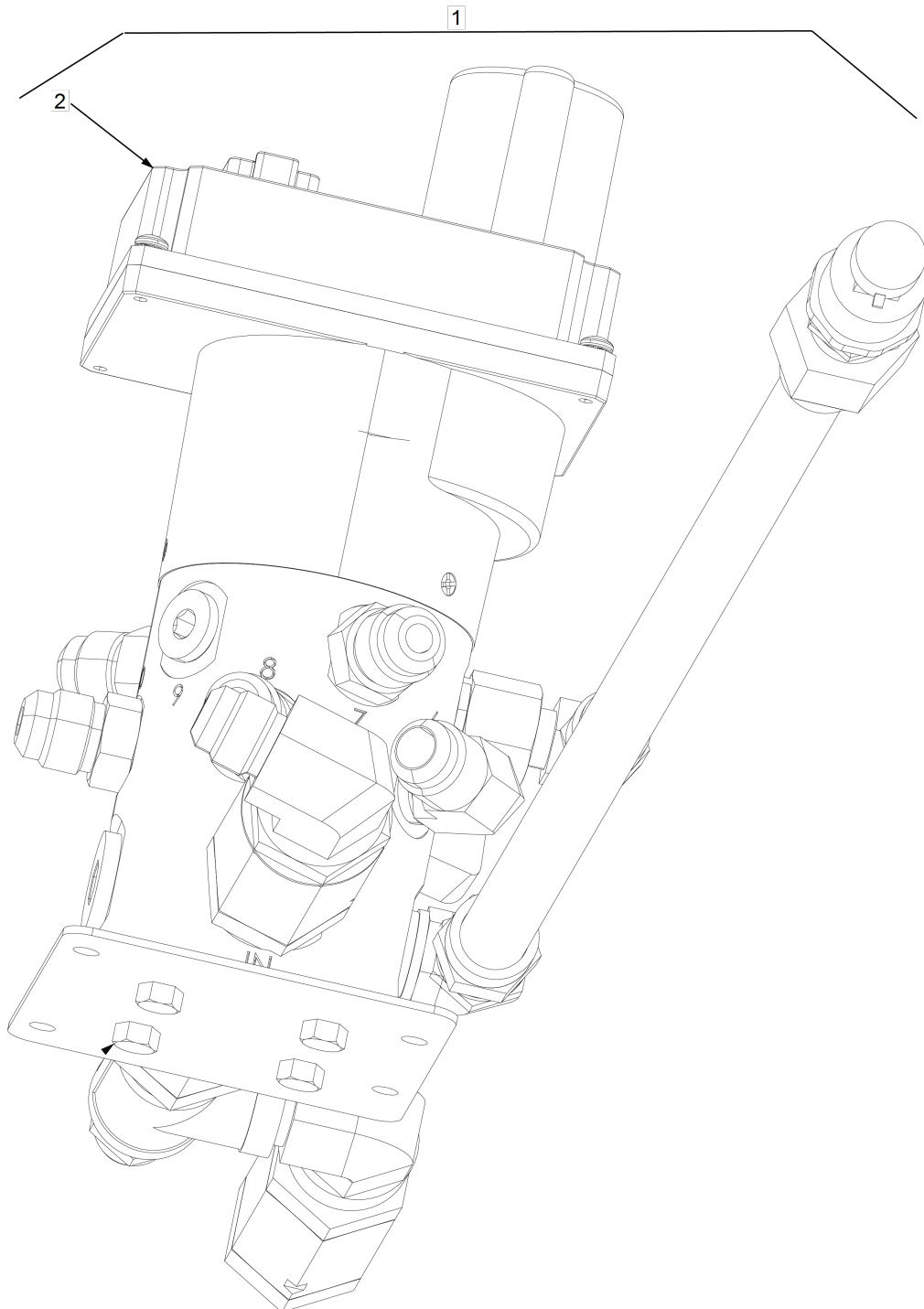
For the most up-to-date parts information, visit
<https://parts.hennypennyhelp.com>.

Part No.	Length
77523-013	21 in
77523-014	9 in
77523-015	14 in
77523-016	15.5 in



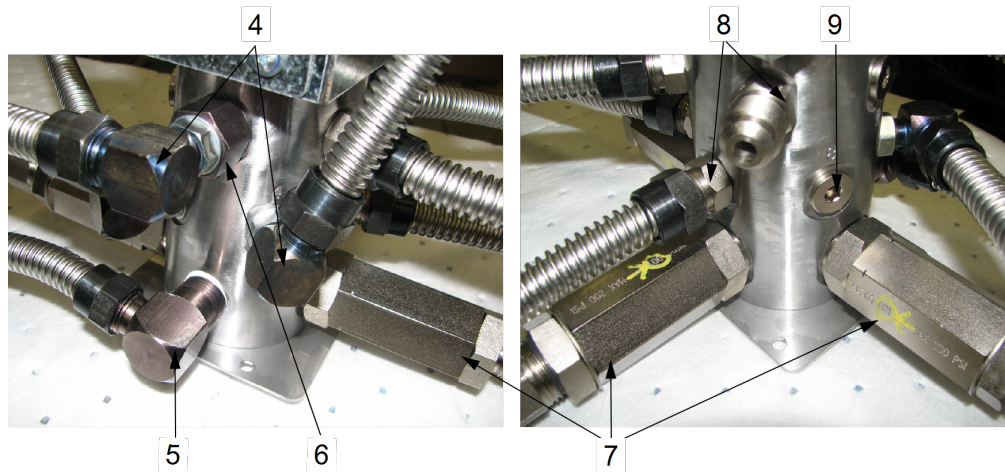
For the most up-to-date parts information, visit
<https://parts.hennypennyhelp.com>.

Selector Valve Assembly





For the most up-to-date parts information, visit <https://parts.hennypennyhelp.com>.



Item No.	Part No.	Description	Qty.	Stocking Level
1	170144-006	Service Pack - 10 Port Selector Valve - Order FP01-232 separately for BU1503036 and before.	1	C
2*	140776	Service Kit - Gen 4 selector valve upgrade (before BU2101001) (AIF software revision level needs to be 20 or higher.)	1	A
2	182774	Gen 4 Encoder Emulator Motor only	1	A
2*	183173-001	Gen 4 Encoder Emulator Cable only	1	
3*	SC06-122	Screw - 7/32 x 5/32 shoulder	A/R	
4	FP01-235	SAE 45 degree flare elbow fitting	A/R	
5	FP01-205	1/2 in NPT male 45 flare elbow (BU1503036 and before)	A/R	
5*	FP01-232	3/4 in SAE 10 male 90 (BU1503037 and after)	A/R	
6	FP01-277	6 SAE male to 6 SAE female connector	A/R	



For the most up-to-date parts information, visit
<https://parts.hennypennyhelp.com>.

Item No.	Part No.	Description	Qty.	Stocking Level
7*	152161	Oil manifold check valve assembly	A/R	
7	-90506-001	-SAE 12, 3 PSI check valve	A/R	A
7	-FP01-256	-Fitting, 12 SAE, 1/2 NPT	A/R	
7	-FP01-259	-Fitting 12 SAE, 10 SAE	A/R	
8	FP01-236	SAE straight 45 degree flare fitting	A/R	
9	FP01-237	SAE plug fitting	A/R	
10 *	96220	Gen 2 selector valve encoder harness	1	
11 *	90479	Gen 2 selector valve power harness	1	
12*	92629	Gen 2 selector valve coupling	1	
Recommended Parts: A = Truck Stock; B = Dist. Stock * = Not Shown A/R = As Required				

Oil Flex Line Chart

Part Number	Length
77523-002	18"
77523-003	24"
77523-004	30"
77523-005	36"
77523-006	42"
77523-007	48"
77523-010	54"

Well Configuration Key

F=Full Vat
S=Split Vat
D=Split, Deep both vats
R=Split, Deep right vat only



For the most up-to-date parts information, visit
<https://parts.hennypennyhelp.com>.

LVG-202

Selector Valve Port	Configuration FF	Configuration SD, SR, SS	Configuration FD, FR, FS	Configuration SF
1	Plug	30"	Plug	30"
2	18"	18"	18"	18"
3	Plug	18"	18"	Plug
4	18"	18"	18"	18"
5	Plug	Plug	Plug	Plug
6	Plug	Plug	Plug	Plug
7	Plug	Plug	Plug	Plug
8	Plug	Plug	Plug	Plug
9 (ATO)	36"	36"	36"	36"
10 (RTI-Discard Oil)	24"	24"	24"	24"
RTI New Oil	24"	24"	24"	24"
ATO New Oil	36"	36"	36"	36"

LVG-203

Select- or Valve Port	Con- figuration FFF	Con- figuration SSD, SSR, SSS	Con- figuration FSD, FSR, FSS	Con- figuration FFD, FFR, FFS	Con- figuration SSF	Con- figuration SFF
1	Plug	42"	Plug	Plug	42"	36"
2	36"	30"	36"	36"	30"	36"
3	Plug	30"	30"	Plug	30"	Plug



For the most up-to-date parts information, visit
<https://parts.hennypennyhelp.com>.

4	18"	18"	18"	18"	18"	18"
5	Plug	18"	18"	18"	Plug	Plug
6	18"	18"	18"	18"	18"	18"
7	Plug	Plug	Plug	Plug	Plug	Plug
8	Plug	Plug	Plug	Plug	Plug	Plug
9 (ATO)	36"	36"	36"	36"	36"	36"
10 (RTI- Discard Oil)	36"	36"	36"	36"	36"	36"
RTI New Oil	30"	30"	30"	30"	30"	30"
ATO New Oil	36"	36"	36"	36"	36"	36"

LVG-204

Selector Valve Port	Configuration FFFF	Configuration SSSD, SSSR, SSSS	Configuration FSSD, FSSR, FSSS	Configuration FFSD, FFSS, FFSS
1	Plug	54"	Plug	Plug
2	48"	48"	48"	48"
3	Plug	36"	36"	Plug
4	36"	30"	30"	36"
5	Plug	30"	30"	30"



For the most up-to-date parts information, visit
<https://parts.hennypennyhelp.com>.

6	30"	24"	24"	24"
7	Plug	18"	18"	18"
8	18"	18"	18"	18"
9 (ATO)	36"	36"	36"	36"
10 (RTI-Discard Oil)	54"	54"	54"	54"
RTI New Oil	42"	42"	42"	42"
ATO New Oil	36"	36"	36"	36"

LVG-204

Selector Valve Port	Configuration FFFD, FFFR, FFFS	Configuration SSSF	Configuration SSFF	Configuration SFFF
1	Plug	54"	54"	54"
2	48"	48"	48"	42"
3	Plug	36"	36"	Plug
4	36"	30"	30"	36"
5	Plug	30"	Plug	Plug
6	30"	24"	30"	30"
7	18"	Plug	Plug	Plug
8	18"	18"	18"	18"
9 (ATO)	36"	36"	36"	36"
10 (RTI-Discard Oil)	54"	54"	54"	54"
RTI New Oil	42"	42"	42"	42"
ATO New Oil	36"	36"	36"	36"



For the most up-to-date parts information, visit
<https://parts.hennypennyhelp.com>.

Inside Vat



Item No.	Part No.	Description	Qty.	Stocking Level
1	77914	Probe guard (requires welding)	6 per vat	
2	140098	2.5 in temperature probe kit	A/R	B
3	92717	High limit single thermocouple (Before 12/2020)	1 per vat	A
3	178359	High limit dual thermocouple (After 12/2020)	1 per vat	A
4	86728	Divider guard split vat	A/R	
4	86729	Divider guard full vat	A/R	
5	76980	Split vat rack	1 per vat	B



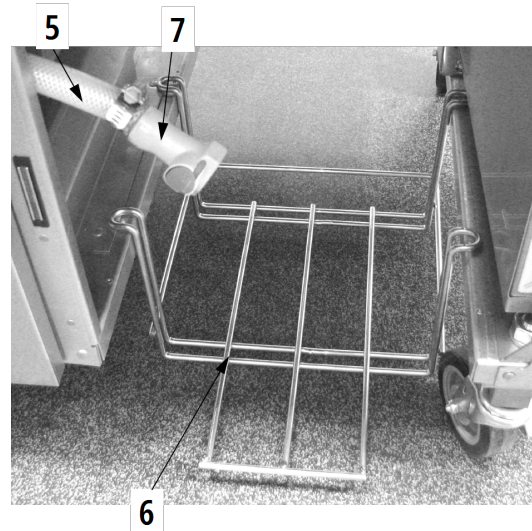
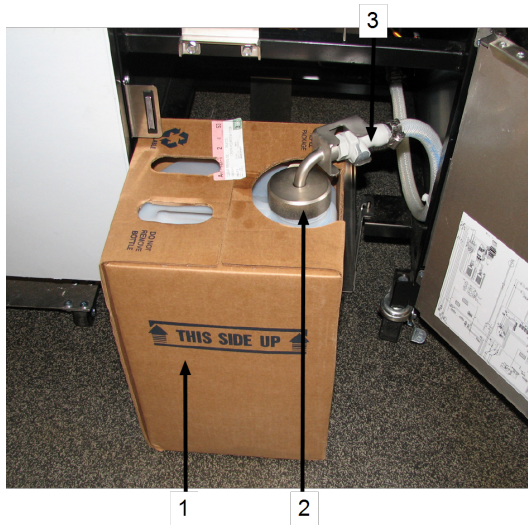
For the most up-to-date parts information, visit
<https://parts.hennypennyhelp.com>.

Item No.	Part No.	Description	Qty.	Stocking Level
5	76982	Full vat rack	1 per vat	B
Recommended Parts: A = Truck Stock; B = Dist. Stock * = Not Shown A/R = As Required				



For the most up-to-date parts information, visit <https://parts.hennypennyhelp.com>.

JIB Connection



Item No.	Part No.	Description	Qty.	Stocking Level
1	03617	Auto top off JIB (jug) accessory	1	
2	85738	JIB tube quick disconnect assembly (Includes item number 3 and 4)	1	B
2	85737	JIB tube quick disconnect assembly, CE (Includes item number 3 and 4)	1	B
3	FP05-017	- Quick disconnect, 3/8 in, male	1	A
4*	MS01-561	- JIB tube O-ring	1	A
5	89622-004	Reinforced silicone hose, 40.25	1	B
6	83539	JIB shelf	1	
7	FP05-016	Quick disconnect, 1/2 in, female	1	A



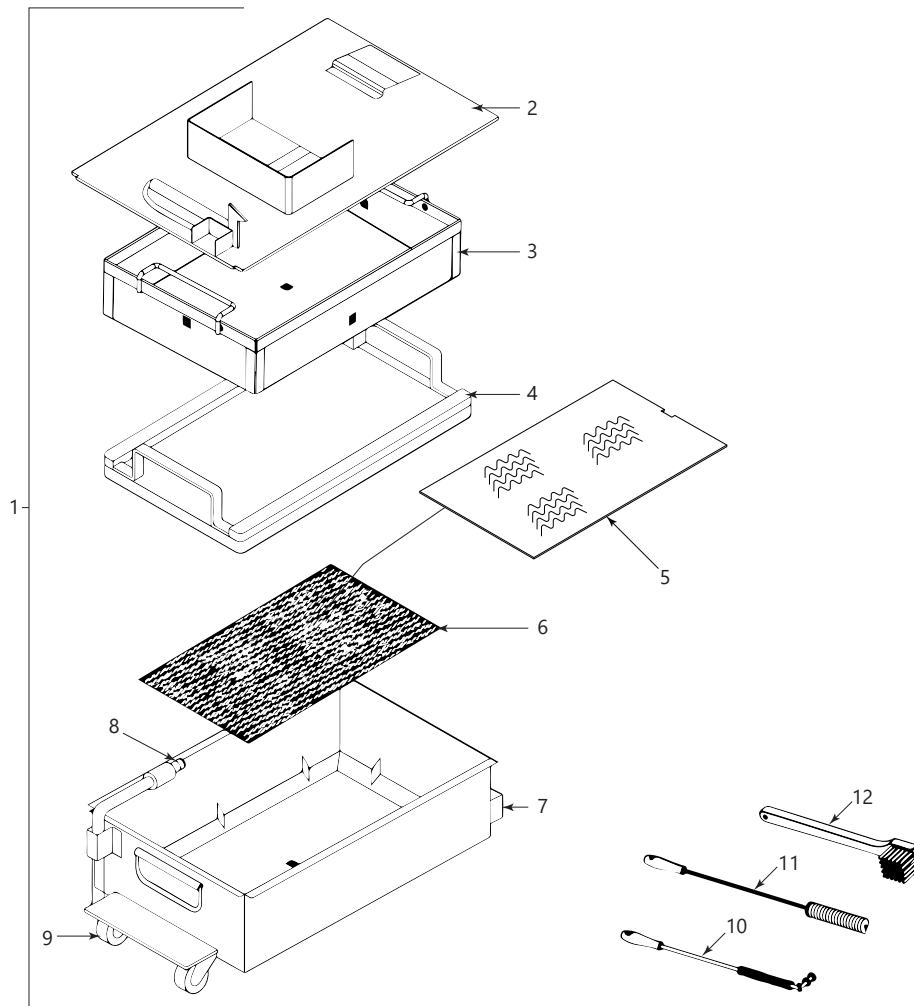
For the most up-to-date parts information, visit
<https://parts.hennypennyhelp.com>.

Item No.	Part No.	Description	Qty.	Stocking Level
8*	MS01-297	Hose clamp, SS	2	
Recommended Parts: A = Truck Stock; B = Dist. Stock * = Not Shown				



For the most up-to-date parts information, visit
<https://parts.hennypennyhelp.com>.

Filter Pan Assembly



Item No.	Part No.	Description	Qty.	Stocking Level
1	91185	Filter pan assembly (before 1/17)	1	
1	97843	Filter pan assembly (1/17 and after)	1	
2	152264	- Filter pan cover assembly	1	



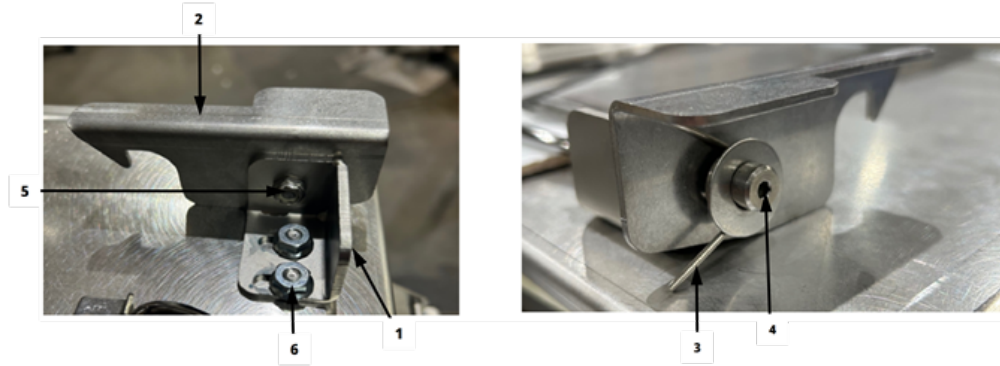
For the most up-to-date parts information, visit
<https://parts.hennypennyhelp.com>.

Item No.	Part No.	Description	Qty.	Stocking Level
3	163322	- Crumb catcher assembly	1	
4	85503	- Filter weight assembly	1	
5	03190-054	- McDonald's filter kit – not supplied by Henny Penny, includes fryer cleaner, 30 filter pads, and green cleaner pad.	1	
6	85519	- Filter section	1	
7	95842	- Filter pan and casters (before 1/17)	1	
7	164057	- Filter pan and casters (1/17 and after)	1	
8	175860	- Pick-up tube o-ring service pack (qty 12)	1	A
9	19004	- Swivel caster, 2 in.	4	
9	SC01-009	-- Screw	16	
9	NS04-005	-- Locknut	16	
10	12126	Black L brush	1	B
11	12112	Straight white brush	1	B
12	12116	Long handle fryer brush	1	B
13*	140537	Filter pan switch	1	
Recommended Parts: A = Truck Stock; B = Dist. Stock * = Not Shown				



For the most up-to-date parts information, visit <https://parts.hennypennyhelp.com>.

Filter Pan Lid Latch Assembly

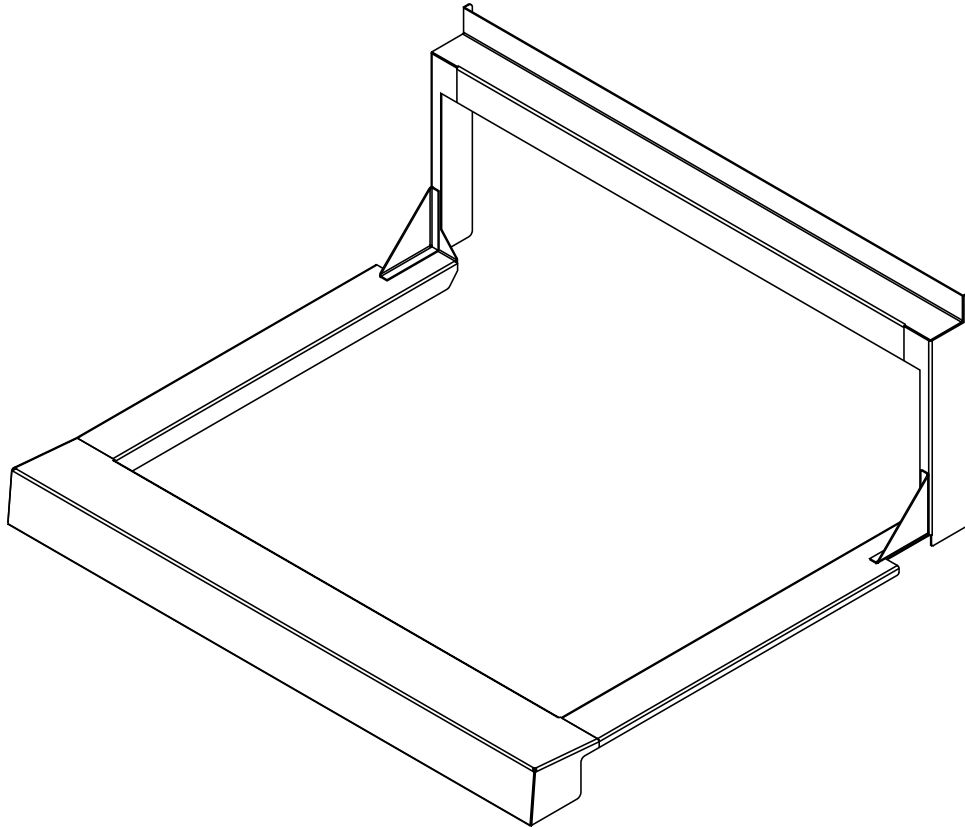


Item No.	Part No.	Description	Qty.	Stocking Level
1	84655	Lid latch bracket	1	
2	84656	Lid latch	1	
3	88576	Lid latch spring	1	
4	SC06-081	Lid latch bolt	1	
5	NS03-107	Lid latch nut	1	
6	NS04-004	Lid latch mounting nut	2	
Recommended Parts: A = Truck Stock; B = Dist. Stock				



For the most up-to-date parts information, visit
<https://parts.hennypennyhelp.com>.

Fry Cap Accessories



Item No.	Part No.	Description	Qty.	Stocking Level
1	03702	LVG 202 fry cap accessory	1	
1	03703	LVG 203 fry cap accessory	1	
1	03704	LVG 204 fry cap accessory	1	
Recommended Parts: A = Truck Stock; B = Dist. Stock * = Not Shown				



For the most up-to-date parts information, visit
<https://parts.hennypennyhelp.com>.

Miscellaneous Kits

Vat Replacement Kits

Part No.	Description
140206	Replacement vat kit, full
140207	Replacement vat kit, split
140208	Replacement vat kit, right fish, split
140209	Replacement vat kit, deep fish, split

Gas Conversion Kits for Units (Black Blower Housing)

Before BU1806052

Part No.	Description	Qty.
140290	Natural to LP, full vat, less than 5000 ft	1/control
140291	LP to natural, full vat, less than 5000 ft	1/control
140325	Natural to LP, split vat, less than 5000 ft	1/control
140327	LP to natural, split vat, less than 5000 ft	1/control

Gas Conversion Kits for Units (Silver Blower Housing)

BU1806052 And After

Part No.	Description	Qty.
140541	Natural to LP, split vat, less than 5000 FT	1/control
140542	Natural to LP, full vat, less than 5000 FT	1/control
140543	Natural to LP, split vat, greater than 5000 FT	1/control



For the most up-to-date parts information, visit
<https://parts.hennypennyhelp.com>.

Part No.	Description	Qty.
140544	Natural to LP, full vat, greater than 5000 FT	1/control
140545	LP to natural, split vat, less than 5000 FT	1/control
140546	LP to natural, full vat, less than 5000 FT	1/control
140547	LP to natural, split vat, greater than 5000 FT	1/control
140548	LP to natural, full vat, greater than 5000 FT	1/control

Blower Motor Retrofit Kits (Black Blower Housing)

Before BU1806052

Part No.	Description	Qty.
140523	Blower motor retrofit kit, natural, Full, 120 VAC	1/unit
140524	Blower motor retrofit kit, natural, Full/Full, 120 VAC	1/unit
140525	Blower motor retrofit kit, natural, Full/Full/Full, 120 VAC	1/unit
140526	Blower motor retrofit kit, natural, Full/Full/Full/Full, 120 VAC	1/unit
140527	Blower motor retrofit kit, LP, Full, 120 VAC	1/unit
140528	Blower motor retrofit kit, LP, Full/Full, 120 VAC	1/unit
140529	Blower motor retrofit kit, LP, Full/Full/Full, 120 VAC	1/unit
140530	Blower motor retrofit kit, LP, Full/Full/Full/Full, 120 VAC	1/unit
140556	Blower motor retrofit kit, natural, Split/Split, 230 VAC	1/unit
140557	Blower motor retrofit kit, LP, Split/Split, 230 VAC	1/unit
140558	Blower motor retrofit kit, natural, Full/Full, 230 VAC	1/unit



For the most up-to-date parts information, visit
<https://parts.hennypennyhelp.com>.

Part No.	Description	Qty.
140559	Blower motor retrofit kit, LP, Full/Full, 230 VAC	1/unit
140560	Blower motor retrofit kit, natural, Full/Full/Full, 230 VAC	1/unit
140561	Blower motor retrofit kit, LP, Full/Full/Full, 230 VAC	1/unit
140699	Blower motor retrofit kit, natural, Split/Split/Split, 120 VAC	1/unit