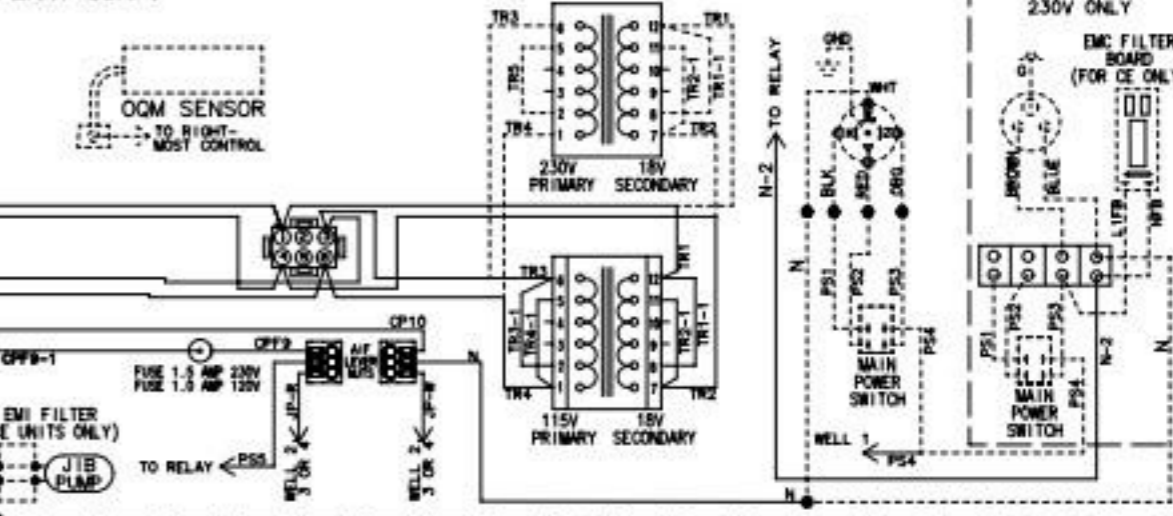
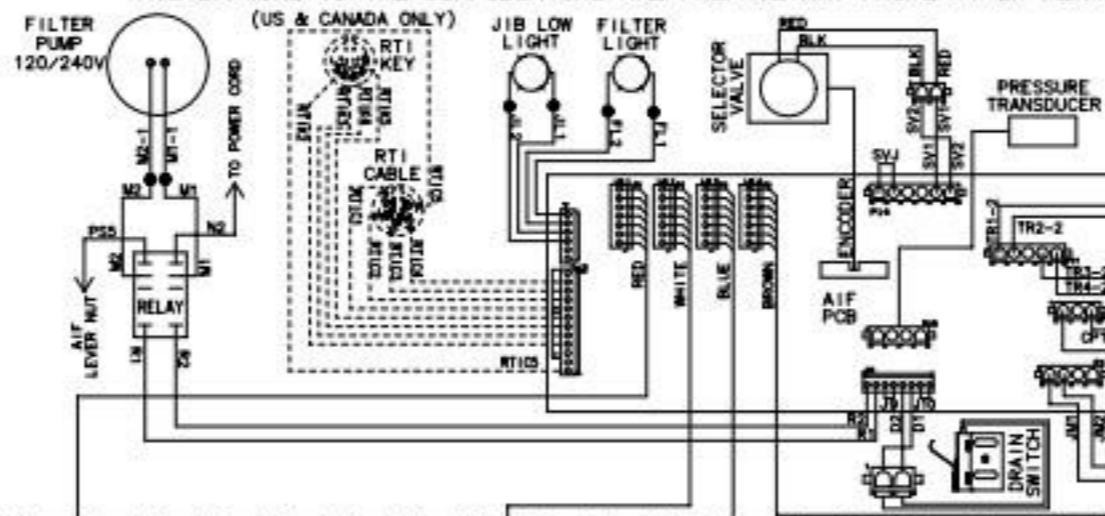
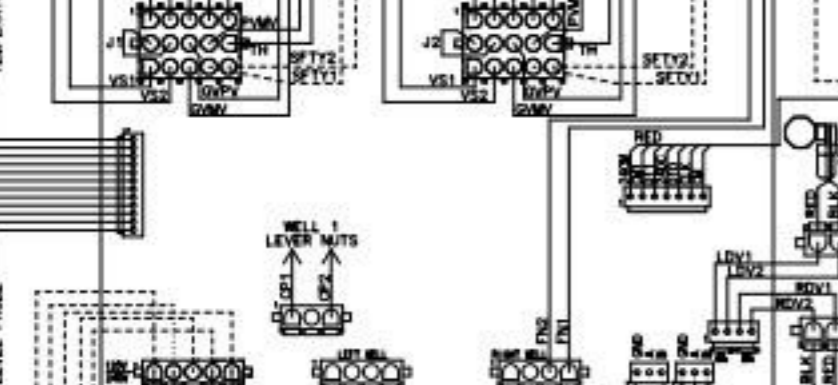
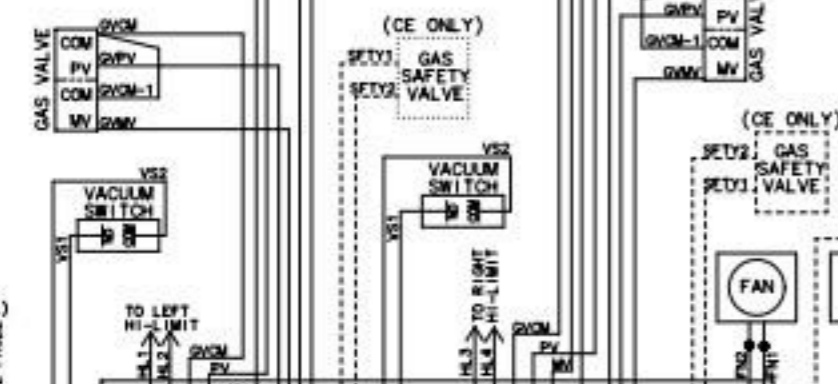
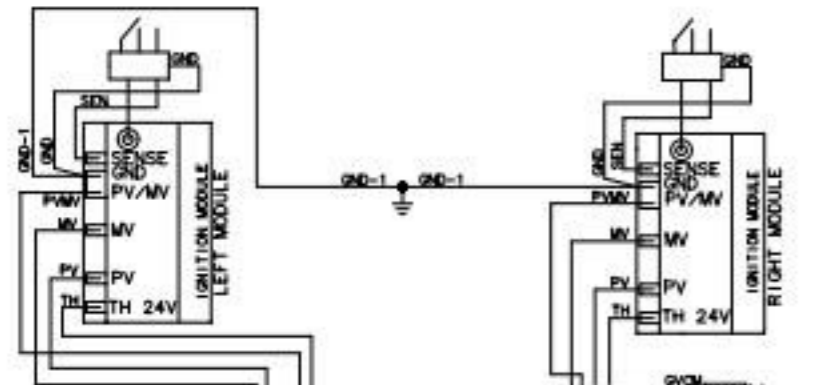
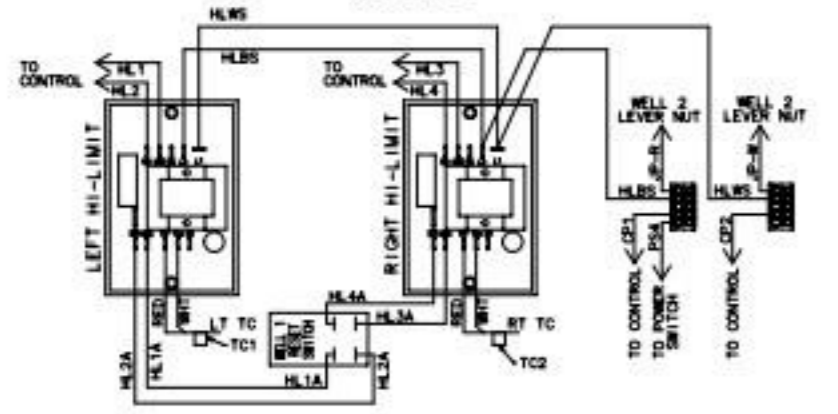
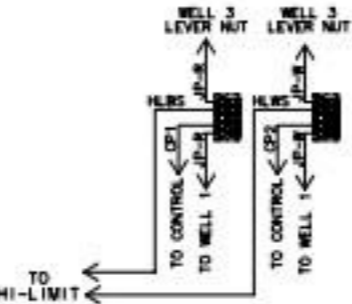


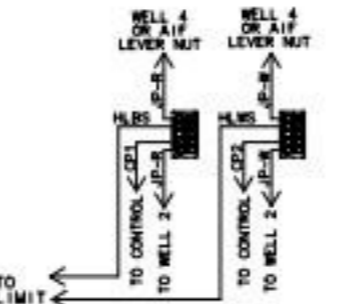
**WELL 1**



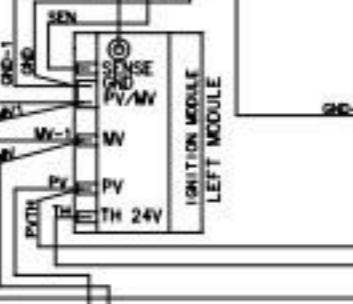
**WELL 2**  
SAME AS WELL 1  
(EXCEPT AS SHOWN)  
USE WIRE NUMBERS 3 & 4



**WELL 3**  
SAME AS WELL 1  
(EXCEPT AS SHOWN)  
USE WIRE NUMBERS 5 & 6



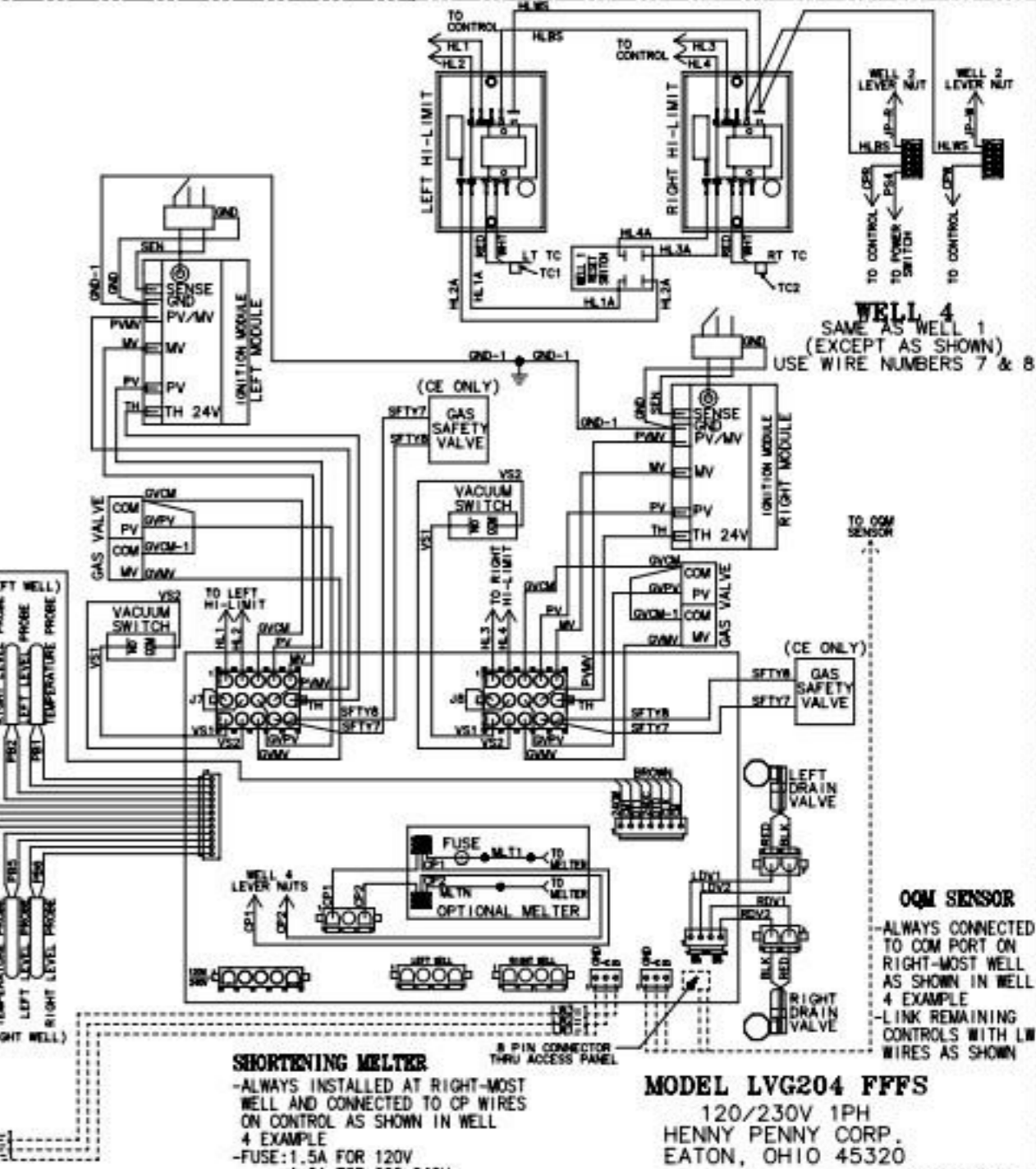
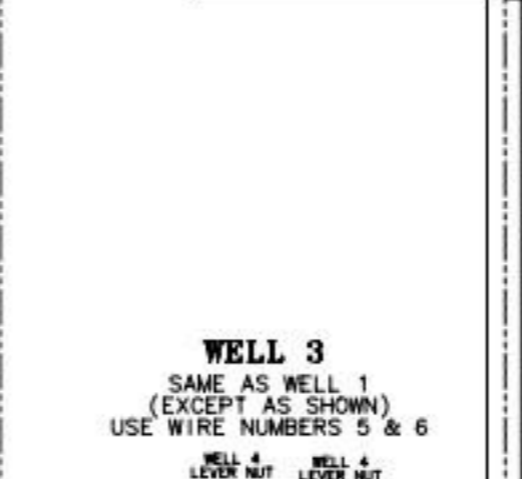
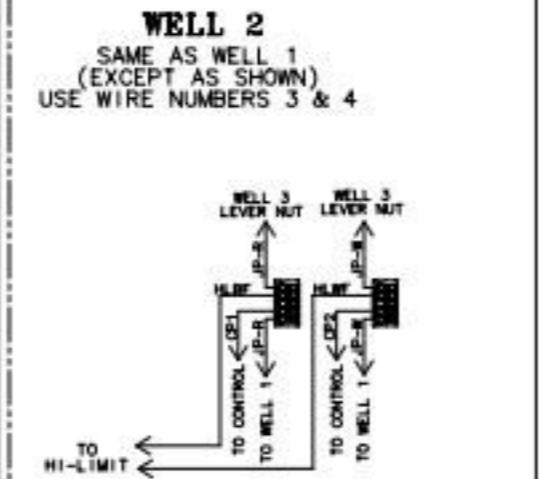
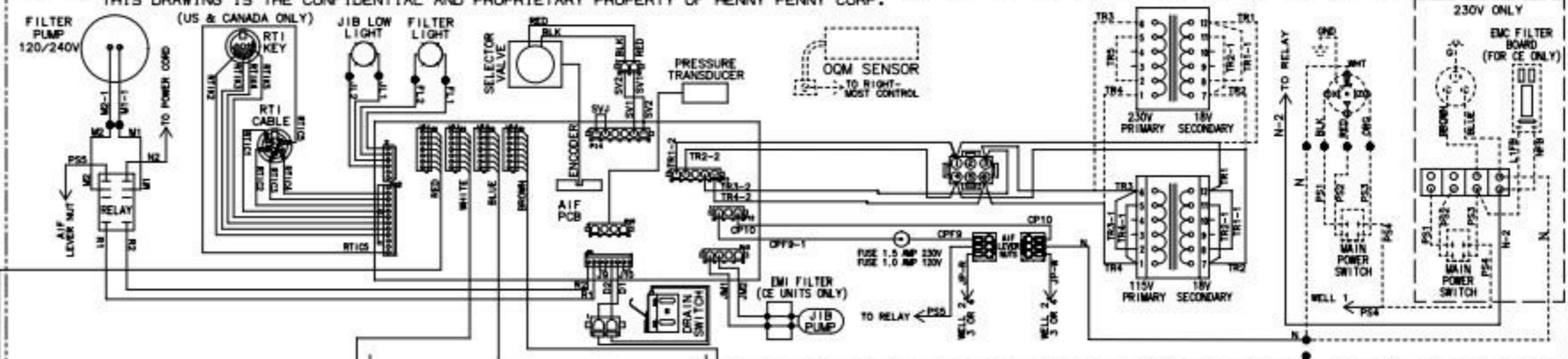
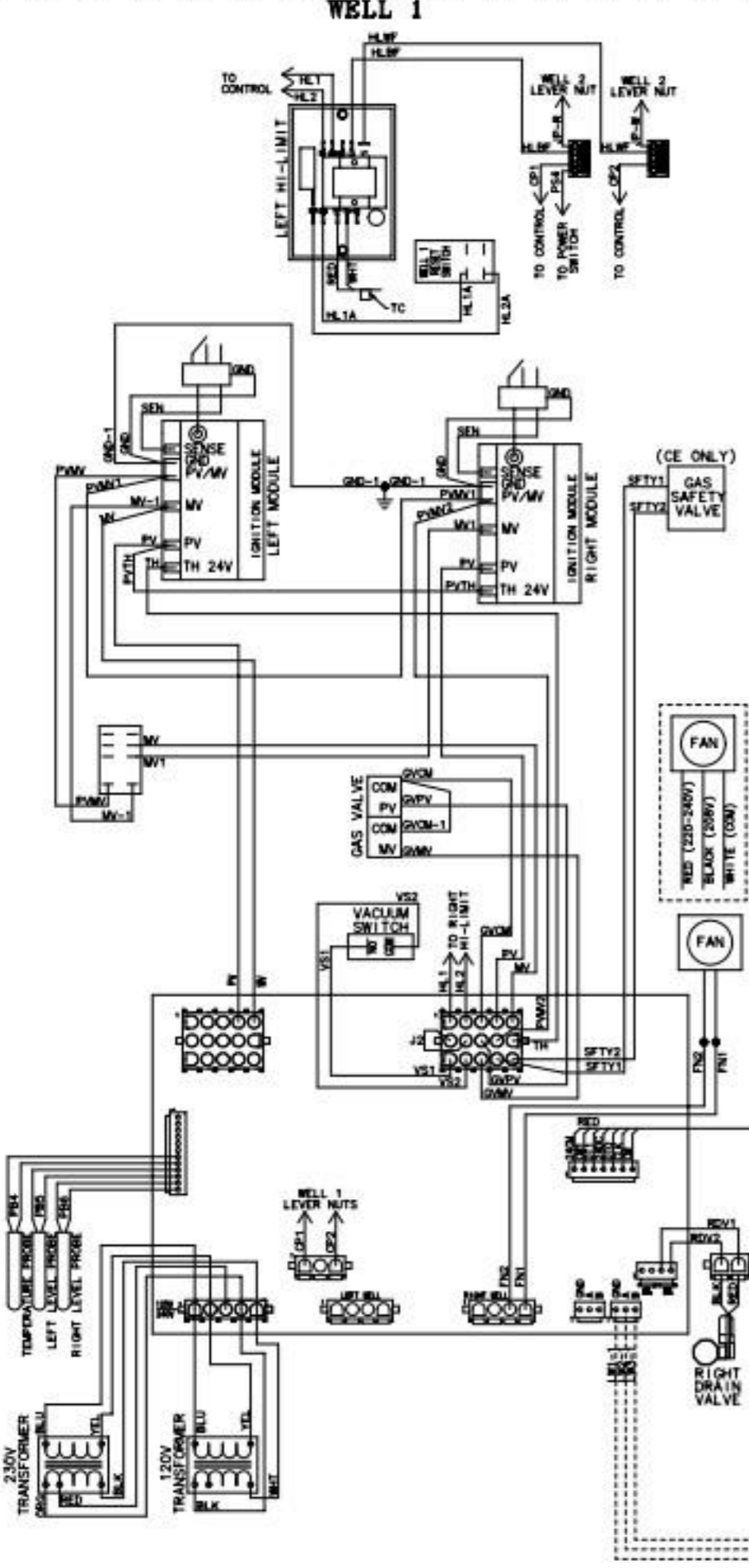
**WELL 4**  
SAME AS WELL 1  
(EXCEPT AS SHOWN)  
USE WIRE NUMBERS 7 & 8



**OGM SENSOR**  
-ALWAYS CONNECTED TO COM PORT ON RIGHT-MOST CONTROL AS SHOWN IN WELL 4 EXAMPLE  
-LINK REMAINING CONTROLS WITH LW WIRES AS SHOWN

**SHORTENING MELTER**  
-ALWAYS INSTALLED AT RIGHT-MOST WELL AND CONNECTED TO CP WIRES ON CONTROL AS SHOWN IN WELL 4 EXAMPLE  
-FUSE: 1.5A FOR 120V  
1.0A FOR 220-240V

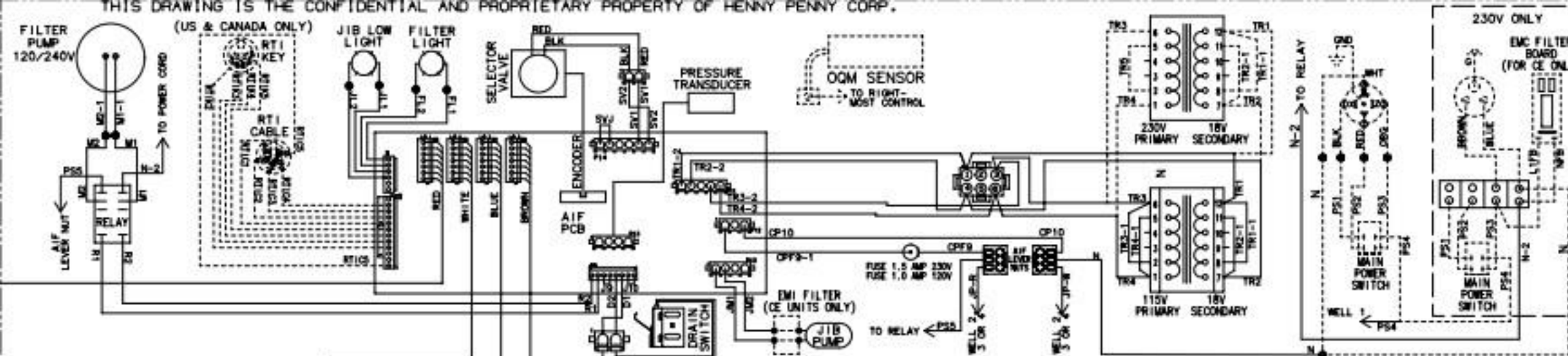
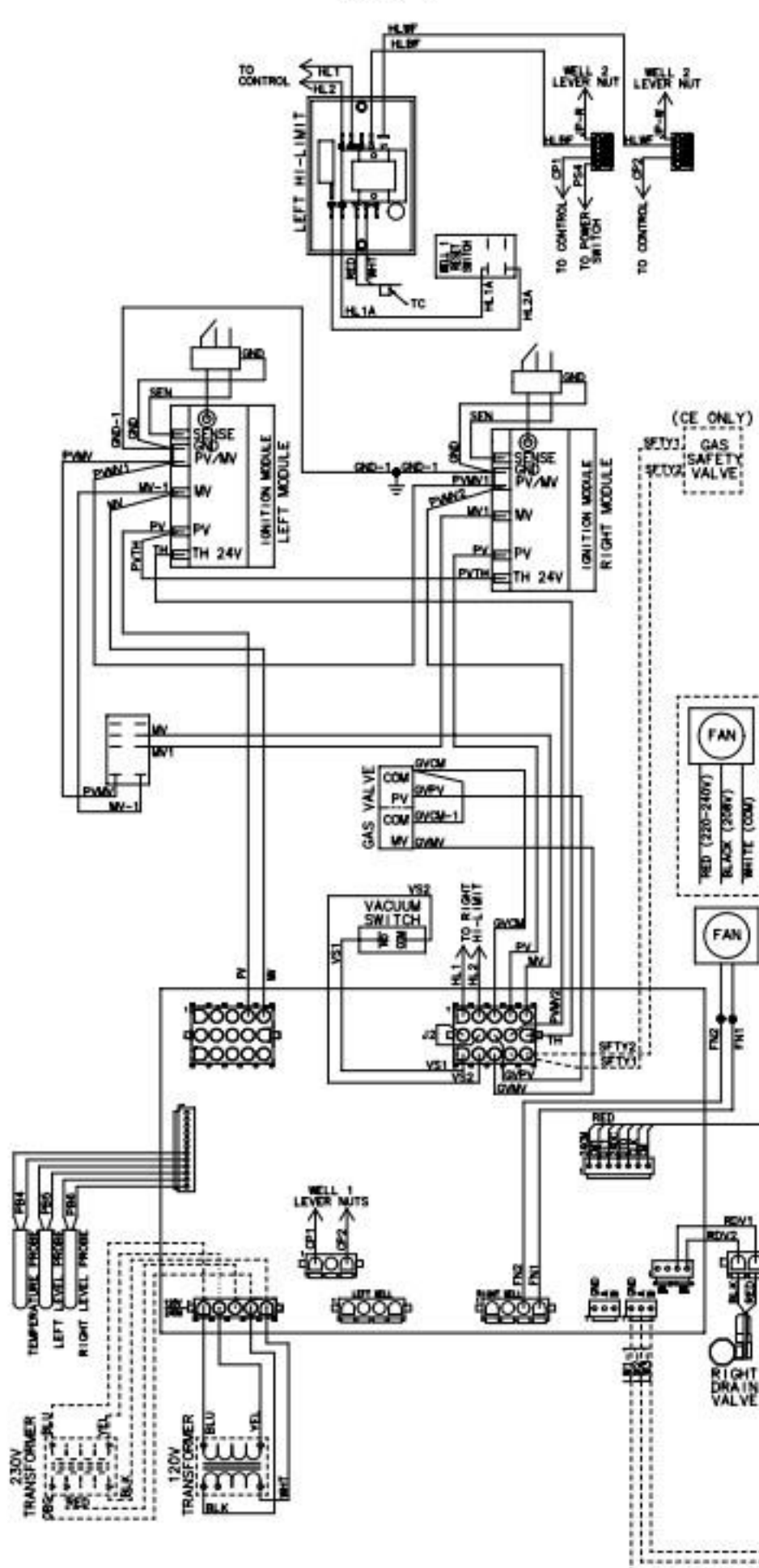
**MODEL LVG204 SSSF**  
120/230V 1PH  
HENNY PENNY CORP.  
EATON, OHIO 45320



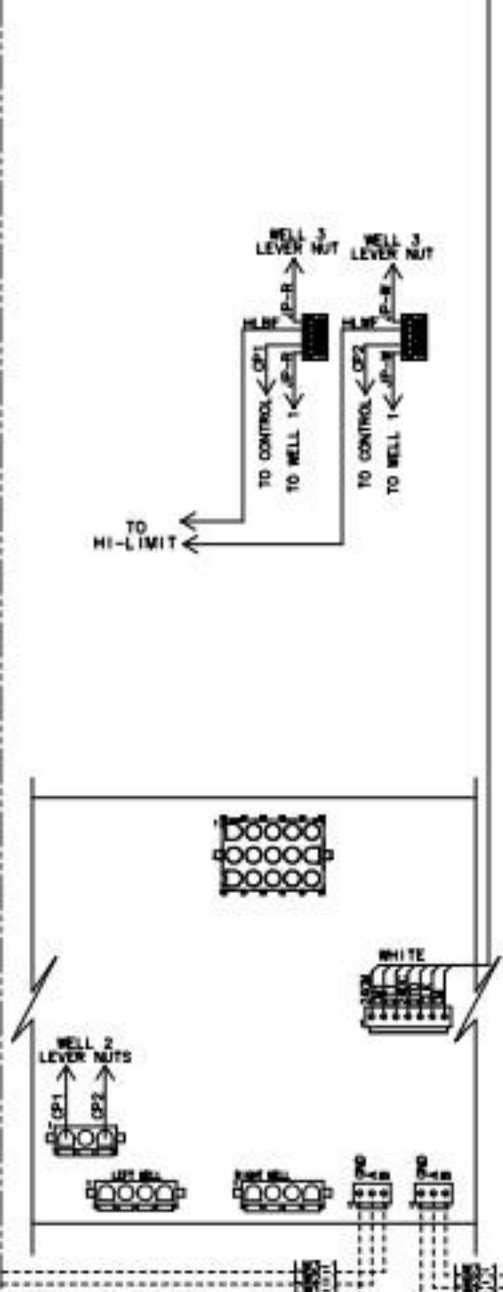
**SHORTENING MELTER**  
-ALWAYS INSTALLED AT RIGHT-MOST WELL ON CONTROL AS SHOWN IN WELL 4 EXAMPLE  
-FUSE: 1.5A FOR 120V  
1.0A FOR 220-240V

**MODEL LVG204 FFS**  
120/230V 1PH  
HENNY PENNY CORP.  
EATON, OHIO 45320

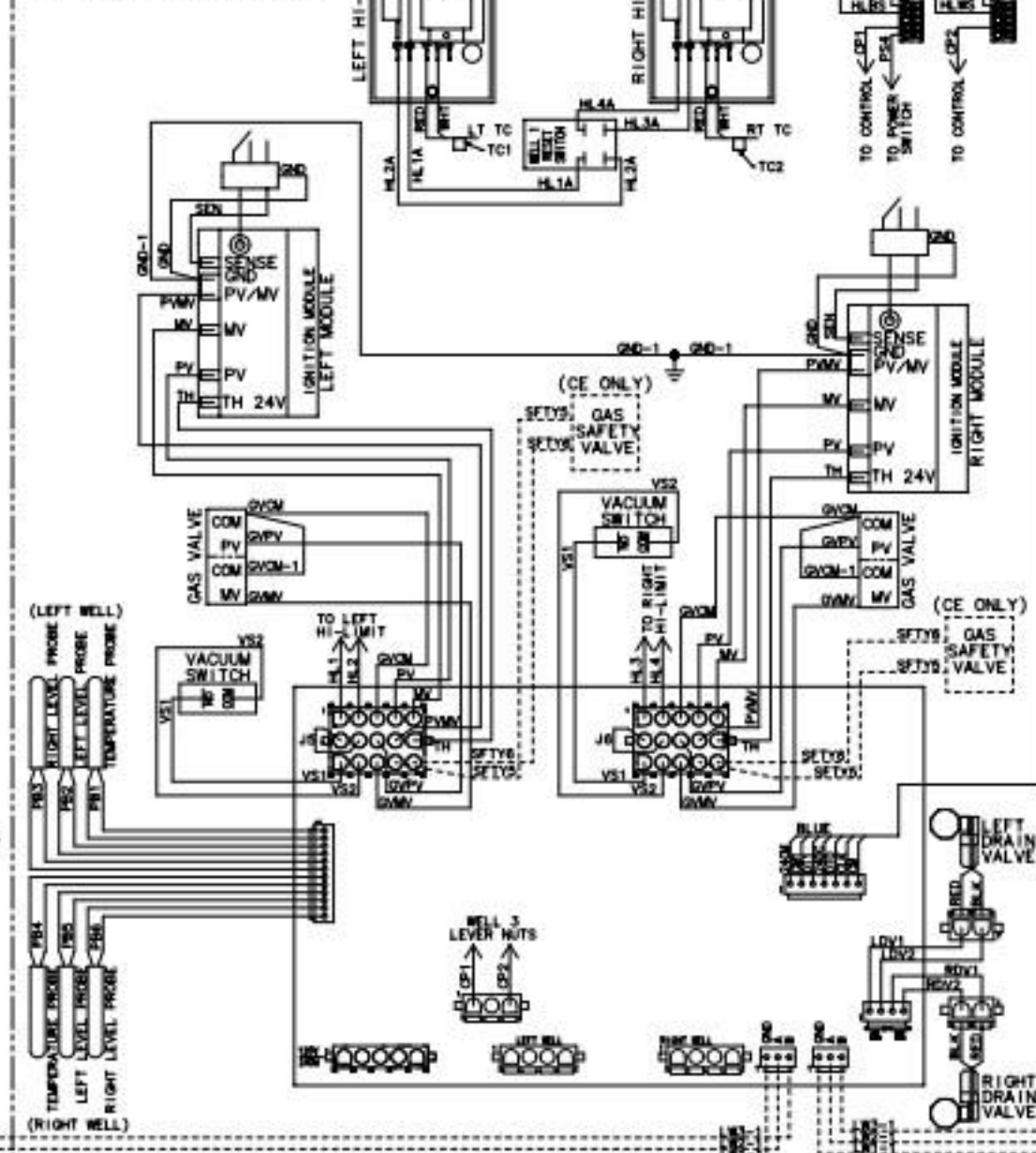
**WELL 1**



**WELL 2**  
SAME AS WELL 1  
(EXCEPT AS SHOWN)  
USE WIRE NUMBERS 3 & 4

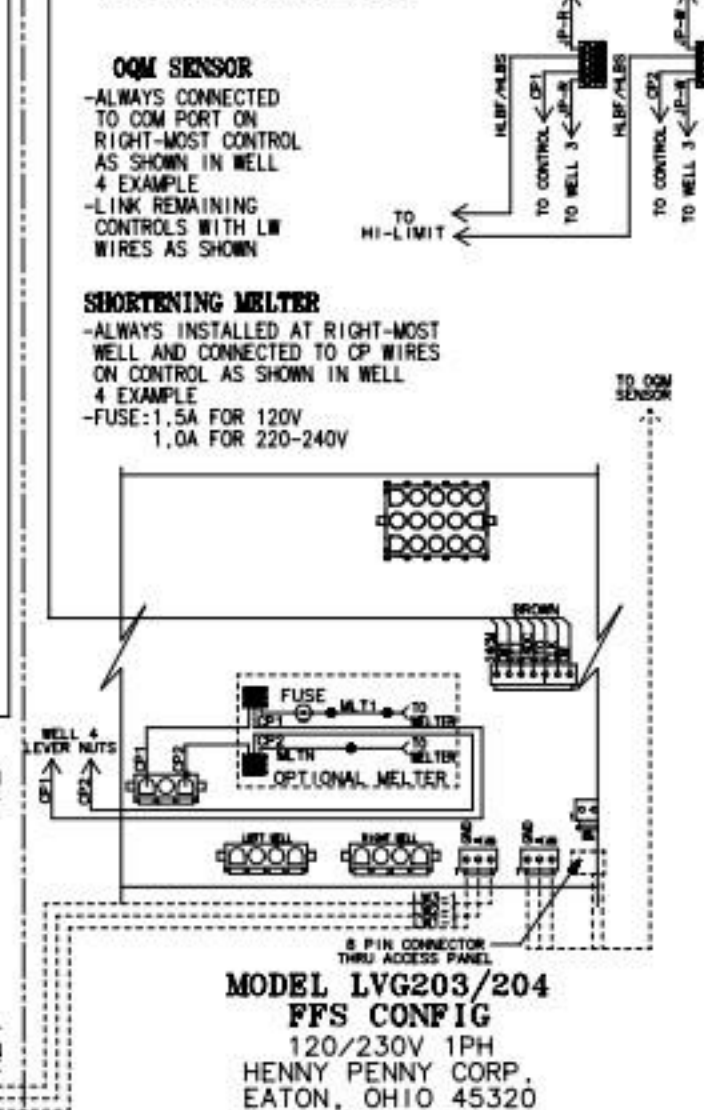


**WELL 3**  
SAME AS WELL 1  
(EXCEPT AS SHOWN)  
USE WIRE NUMBERS 5 & 6

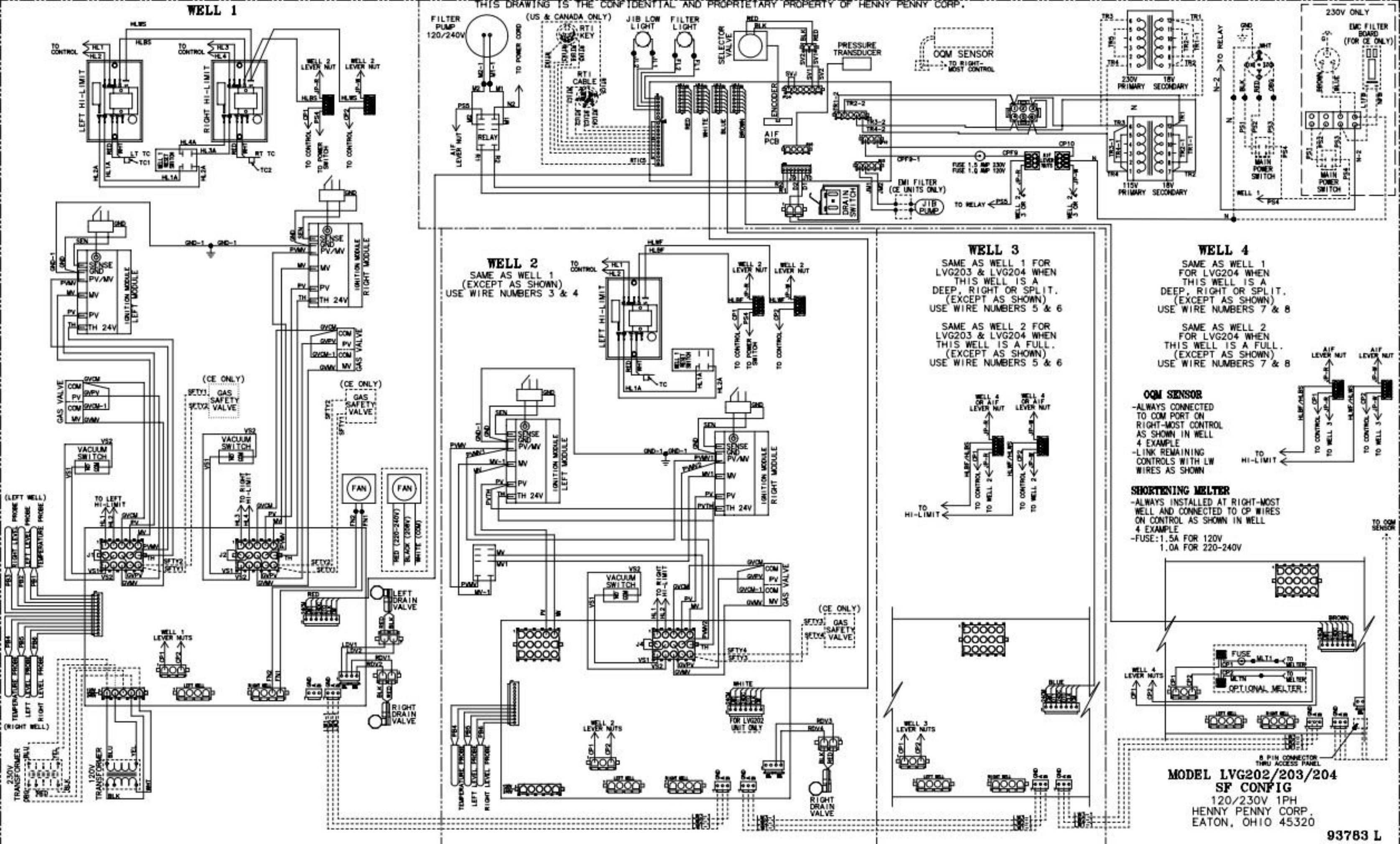


**WELL 4**  
SAME AS WELL 1  
FOR LVG204 WHEN  
THIS WELL IS A FULL.  
(EXCEPT AS SHOWN)  
USE WIRE NUMBERS 7 & 8

SAME AS WELL 3  
FOR LVG204 WHEN  
THIS WELL IS A  
DEEP, RIGHT OR SPLIT.  
(EXCEPT AS SHOWN)  
USE WIRE NUMBERS 7 & 8



**MODEL LVG203/204**  
FFS CONFIG  
120/230V 1PH  
HENNY PENNY CORP.  
EATON, OHIO 45320

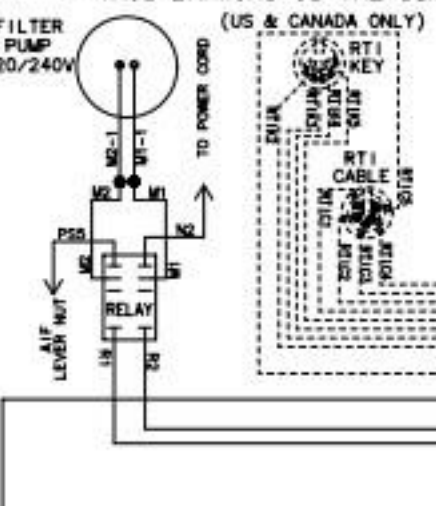


**WELL 1**

**WELL 2**

**WELL 3**

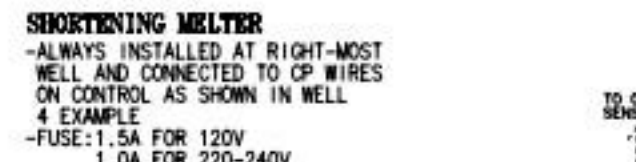
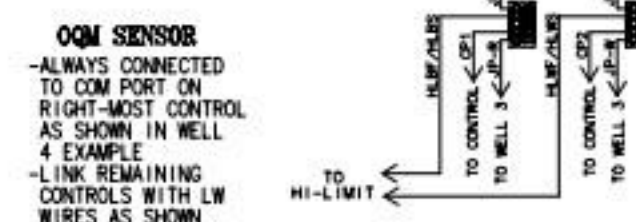
**WELL 4**



SAME AS WELL 1  
 (EXCEPT AS SHOWN)  
 USE WIRE NUMBERS 3 & 4

SAME AS WELL 1 FOR  
 LVG203 & LVG204 WHEN  
 THIS WELL IS A  
 DEEP, RIGHT OR SPLIT.  
 (EXCEPT AS SHOWN)  
 USE WIRE NUMBERS 5 & 6  
 SAME AS WELL 2 FOR  
 LVG203 & LVG204 WHEN  
 THIS WELL IS A FULL.  
 (EXCEPT AS SHOWN)  
 USE WIRE NUMBERS 5 & 6

SAME AS WELL 1  
 FOR LVG204 WHEN  
 THIS WELL IS A  
 DEEP, RIGHT OR SPLIT.  
 (EXCEPT AS SHOWN)  
 USE WIRE NUMBERS 7 & 8  
 SAME AS WELL 2  
 FOR LVG204 WHEN  
 THIS WELL IS A FULL.  
 (EXCEPT AS SHOWN)  
 USE WIRE NUMBERS 7 & 8



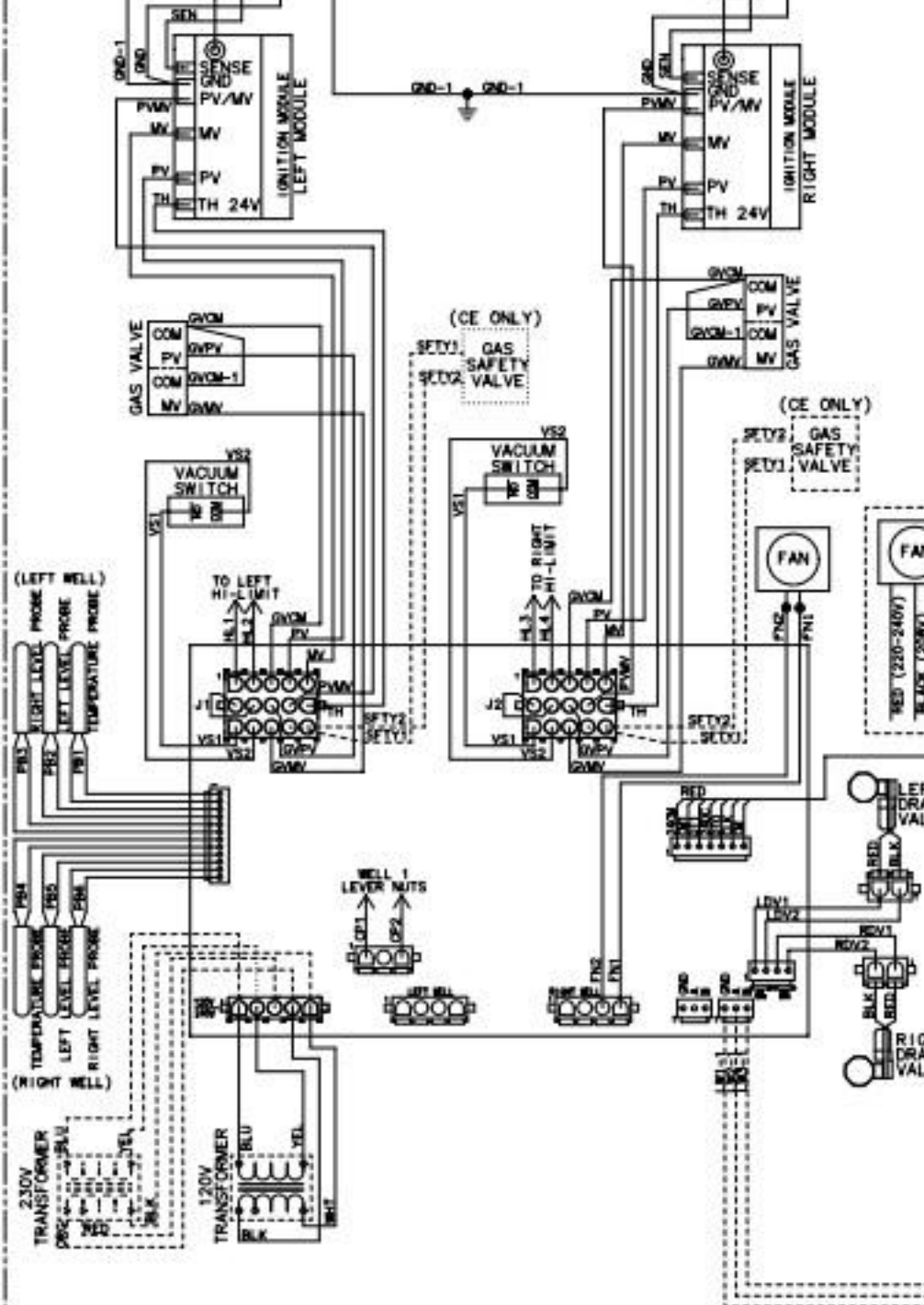
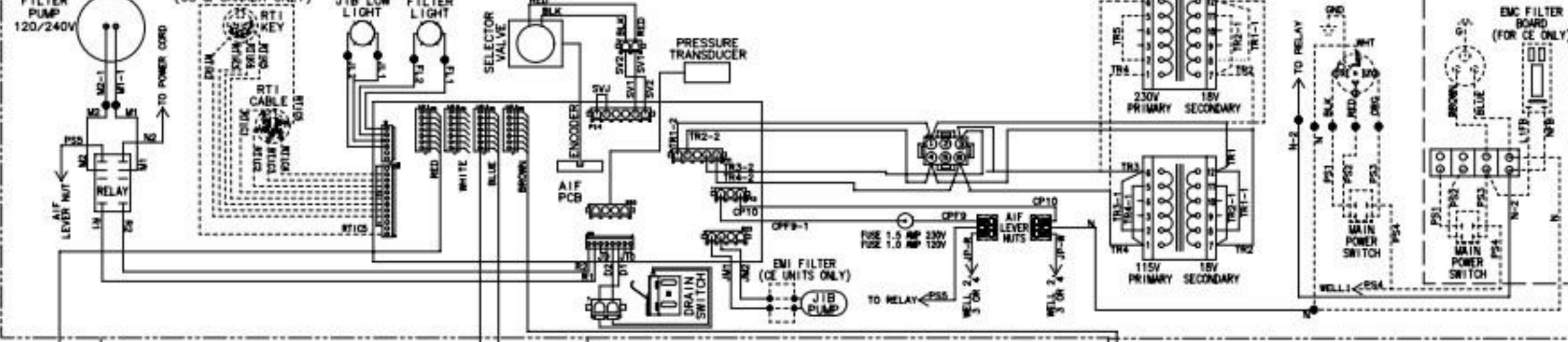
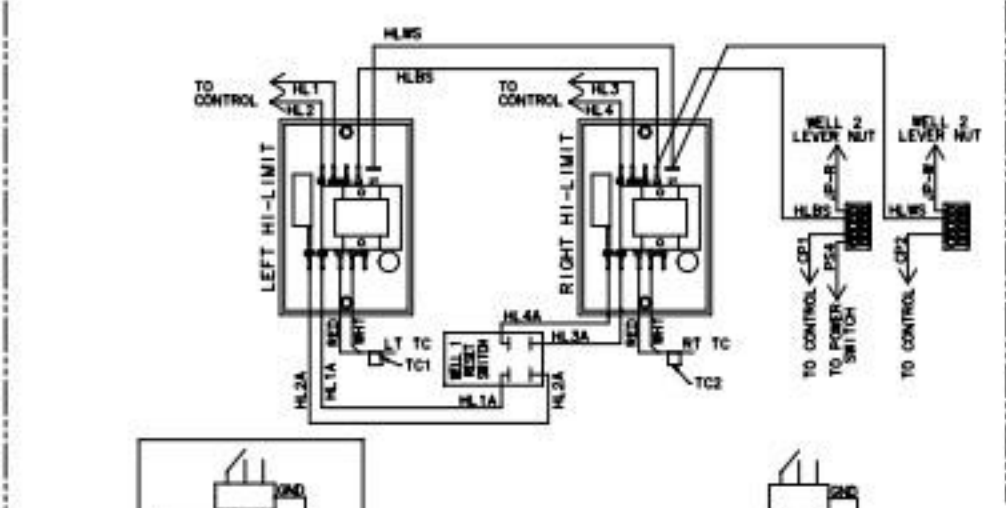
**MODEL LVG202/203/204**  
**SF CONFIG**  
 120/230V 1PH  
 HENNY PENNY CORP.  
 EATON, OHIO 45320



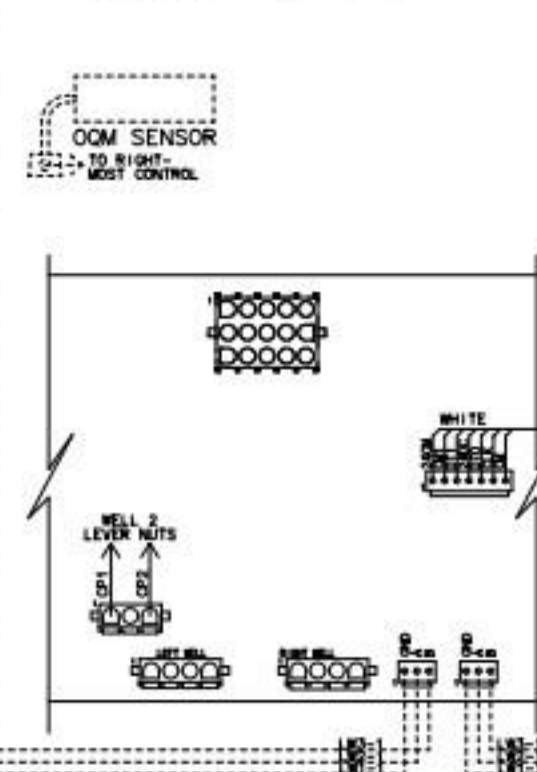
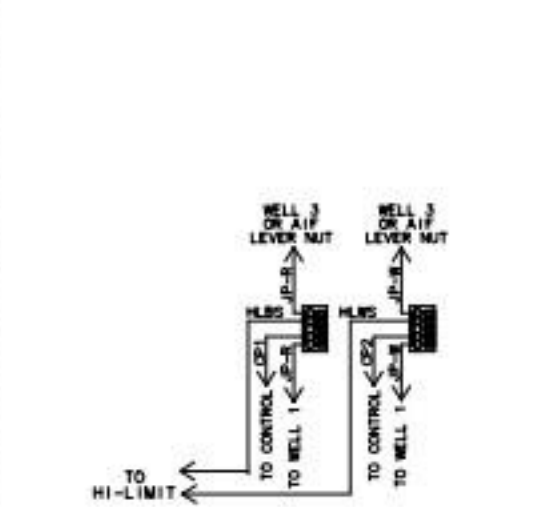


**WELL 1**

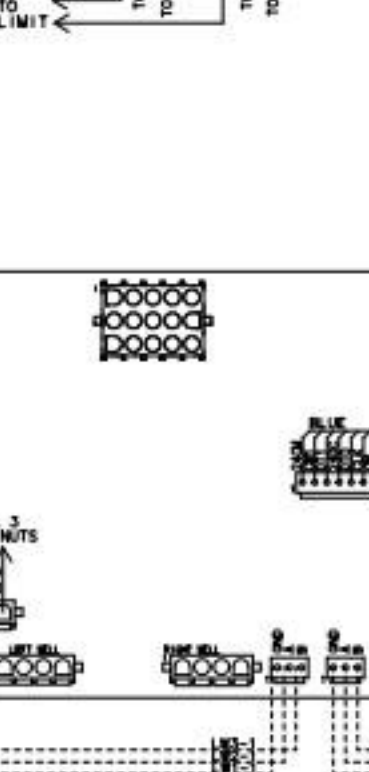
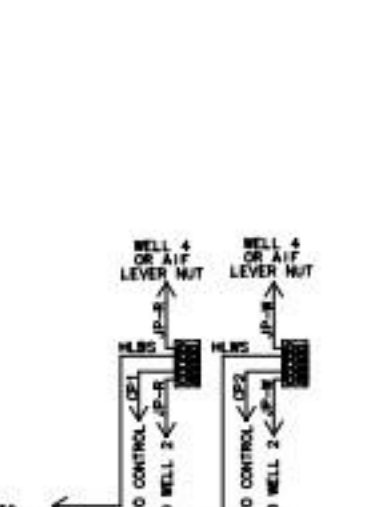
THIS DRAWING IS THE CONFIDENTIAL AND PROPRIETARY PROPERTY OF HENNY PENNY CORP.



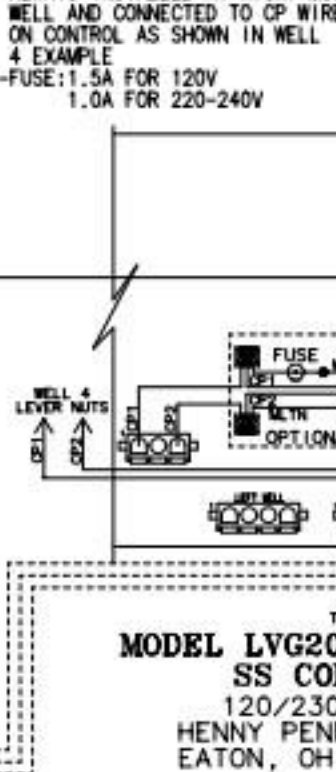
**WELL 2**  
SAME AS WELL 1  
(EXCEPT AS SHOWN)  
USE WIRE NUMBERS 3 & 4



**WELL 3**  
SAME AS WELL 1  
(EXCEPT AS SHOWN)  
USE WIRE NUMBERS 5 & 6



**WELL 4**  
SAME AS WELL 1  
(EXCEPT AS SHOWN)  
USE WIRE NUMBERS 7 & 8



**SHORTENING MELTER**  
-ALWAYS INSTALLED AT RIGHT-MOST WELL AND CONNECTED TO CP WIRES ON CONTROL AS SHOWN IN WELL 4 EXAMPLE  
-FUSE: 1.5A FOR 120V  
1.0A FOR 220-240V

**OQM SENSOR**  
-ALWAYS CONNECTED TO COM PORT ON RIGHT-MOST CONTROL AS SHOWN IN WELL 4 EXAMPLE  
-LINK REMAINING CONTROLS WITH LW WIRES AS SHOWN

MODEL LVG202/203/204  
SS CONFIG  
120/230V 1PH  
HENNY PENNY CORP.  
EATON, OHIO 45320

