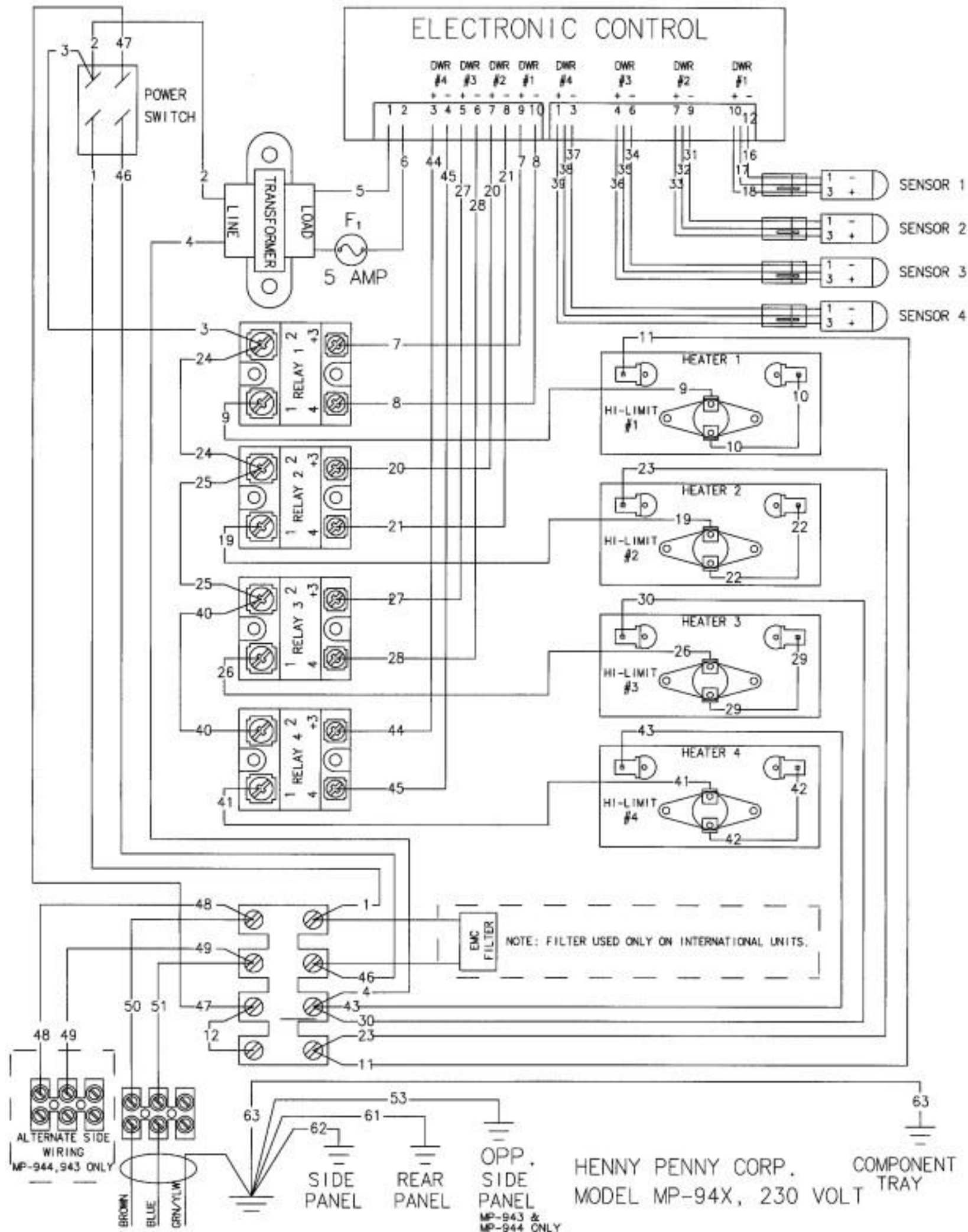


NOTE: DIAGRAM SHOWN IS FOR THE MP-944. FOR MP-941, -942, -943, USE ONLY THE APPROP



NOTE: DIAGRAM SHOWN IS FOR THE MP-944. FOR MP-941, -942, -943, USE ONLY THE APPROPRIATE COMPONENTS

52864