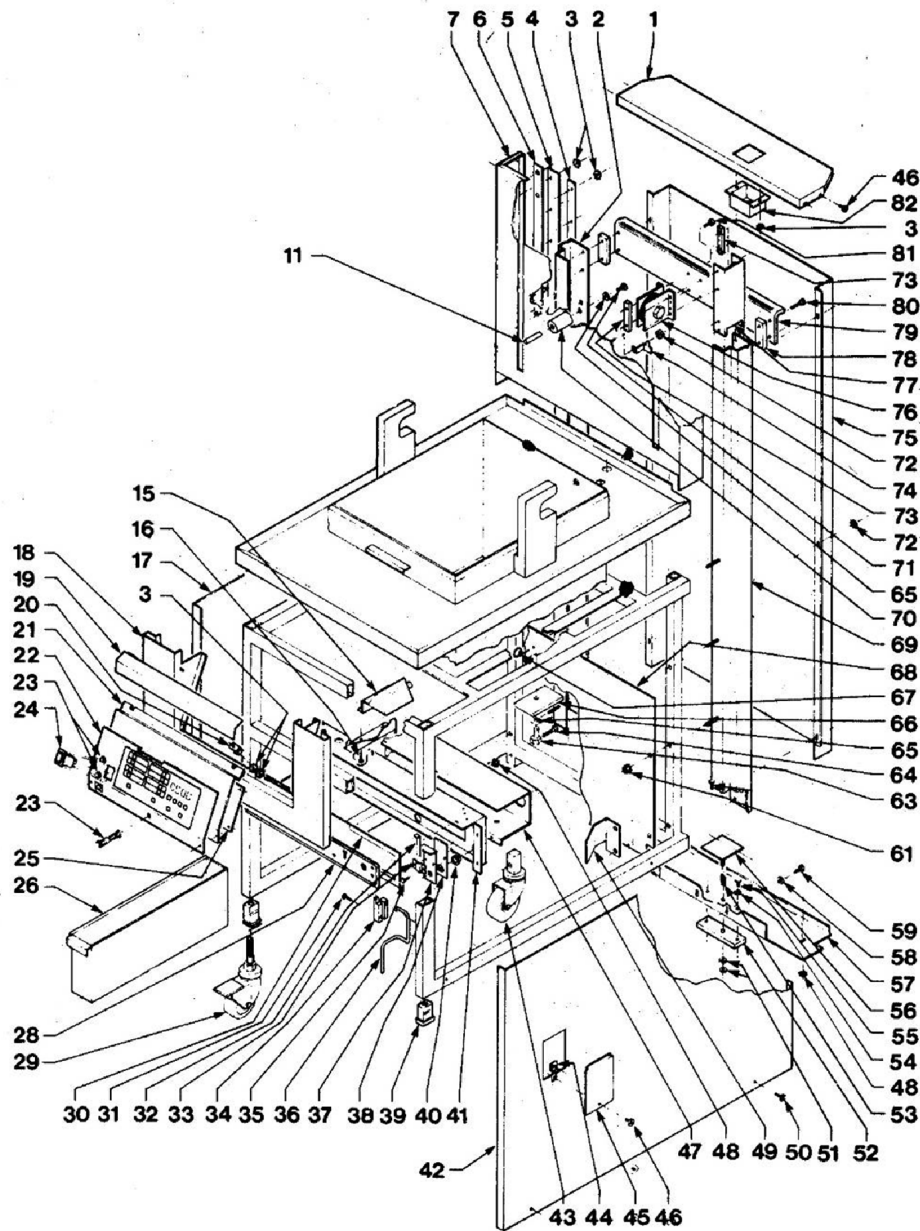




For the most up-to-date parts information, visit
<https://parts.hennypennyhelp.com>.

Frame Assembly





For the most up-to-date parts information, visit
<https://parts.hennypennyhelp.com>.

Item No.	Part No.	Description	Qty.	Stocking Level
1	35726	Rear shroud stud assembly cover	1	
2	36632	Carriage track stud assembly, left	1	
3	NS02-005	Hex keps nut, #6-32	*	
4	35057	Shroud slide, inner	2	
5	35248	Shroud slide, outer	2	
6	36839	Nylatron slide	2	
7	62085	Shroud weldment	1	
11	37233	Stop pin	2	
15	37143	Restrictor weld assembly	1	
16	SC04-003	Cutting screw, #8-32 x 3/8, CT, type F	2	
17	35053	Side panel, left	1	
18	35166	Control weldment panel	1	
19	31299	Control panel stud assembly cover, Non-SMS	1	
20	31271	Hinge spring, Non-SMS	2	
21	36365	Weld stud and spacer assembly, Non-SMS	1	
22	29382	Membrane Switch decal, Non-SMS, KFC	1	
22	56528	Membrane Switch decal, SMS, KFC	1	
23	16624	Indicator light, 250 VAC	3	A
23	54085	Indicator light, Green, CE	3	A



For the most up-to-date parts information, visit
<https://parts.hennypennyhelp.com>.

Item No.	Part No.	Description	Qty.	Stocking Level
24	29898	Power switch	1	A
25	35832	PCB assembly, Non-SMS	1	
26	71409	Condensation pan assembly	1	
28	35912	Fill Instruction decal	1	
29	37246	Caster with brake	2	
30	35181	Drain rod access cover	1	
31	SC02-034	Screw, #8-AB or A x 1	2	
32	35703	Drain rod latch	1	
33	35705	Drain rod retainer latch	1	
34	35919	Latch mounting block	1	
35	SC01-034	Machine screw, #8-32 x 3/8	2	
36	36185	Filter latch	1	
37	35855	Drain rod latch plate	1	
38	35899	Latch plate spacer	1	
39	17612	Leg casting insert	2	
40	EF02-072	Split bushing, 3/4	1	
41	35107	Drain rod weldment bracket	1	
42	35177	Side panel with access hole, right	1	
43	35154	Caster	2	
44	NS03-017	Nut, #U Type Clip	1	



For the most up-to-date parts information, visit
<https://parts.hennypennyhelp.com>.

Item No.	Part No.	Description	Qty.	Stocking Level
45	35179	Access cover	1	
46	SC02-023	Screw, #8-B x 3/8 in, CT, THD, SS	5	
47	35416	Contactora bracket weldment	1	
48	NS02-002	Hex keps nut, 1/4-20	2	
49	35677	Power cord clamp	1	
50	SC04-011	Hex screw, #8-32 x 1/2 in, Slot, SS	4	
51	NS01-015	Hex nut, 1/4-20 (SN: GG015JJ & BELOW)	2	
52	35924	Bushing plate (SN: GG015JJ & BELOW)	1	
53	36075	Magnet plate spring (SN: GG015JJ & BELOW)	1	
54	LW01-012	Split ring lockwasher, #10, SS	2	
55	SC01-055	Hex screw, #10-32 x 3/4 in, SS	2	
56	35923	Plate stud assembly (SN: GG015JJ & BELOW)	1	
57	35455	Magnet mounting plate	1	
58	WA01-002	Washer, 1/4, type B, series R	2	
59	SC04-006	Hex screw, 1/4-20 x 1/2 in, coated	2	
61	NS02-010	Hex keps nut, 5/16-18, SS	8	
63	SC01-042	Hex screw, 3/8-16 x 1 in	2	
64	SC01-104	Hex screw, 1/4-20 x 1 1/2 in	2	
65	LW01-001	Split ring lockwasher, 3/8	4	



For the most up-to-date parts information, visit
<https://parts.hennypennyhelp.com>.

Item No.	Part No.	Description	Qty.	Stocking Level
66	35484	Hookarm lockplate	2	
67	EF02-003	Wire tie	*	
68	35299	Splash guard	1	
69	37294	Carriage track stud assembly, right	1	
70	MS01-291	Rubber cycle spring	2	
71	SC01-081	Hex screw, 3/8-24 x 3/4 in, SS	2	
72	NS01-011	Hex nut, #10-32	*	
73	35954	Support pulley plate	6	
74	36851	Hose bracket	1	
75	37291	Back shroud	1	
76	35962	Wheel assembly bracket	2	
77	37235	Carriage track brace	2	
78	35244	Top frame brace spacer	2	
79	36561	Top frame brace	1	
80	SC01-160	Hex screw, 1/4-20 X 1 1/4 in	4	
81	SC01-132	Cap screw, 1/4-20 X 5/8 in, socket, SS	8	
82	35725	Hose exhaust adapter	1	
83*	N/A	Replaceable beeper	1	B
83*	51877	Wire/speaker assembly, SMS	1	B
84*	51292	Fast control decal	1	



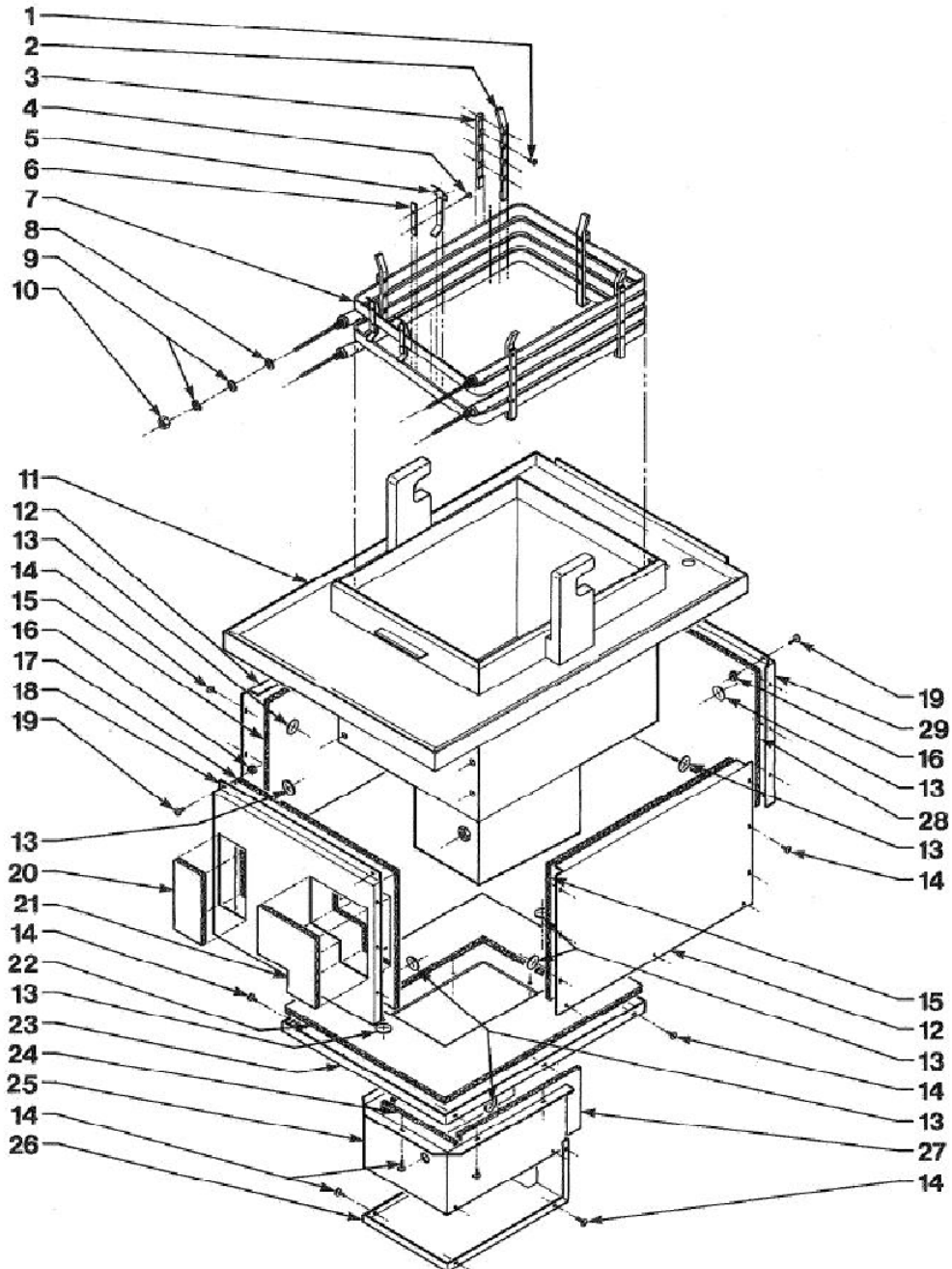
For the most up-to-date parts information, visit
<https://parts.hennypennyhelp.com>.

Item No.	Part No.	Description	Qty.	Stocking Level
85*	35976	Terminal block assembly, 240 VAC, 50 Hz, 3 ph	1	
86*	EF02120	Conduit clamp, 1.25 in, 2 hole power cord	1	
87*	97782	SMS 20 control, 580 domestic	1	B
87*	97781	SMS 20 control, 580 international excluding Japan	1	B
87*	14244	Conversion kit, SMS (UL)	1	
87*	14361	Conversion kit, FAST to SMS (UL)	1	
87*	14244	Conversion kit, FAST to SMS, 380-415VAC (UL)	1	
87*	14747	Conversion kit, FAST to SMS (CE)	1	
87*	14748	Conversion kit, FAST to SMS, 380-415 VAC (CE)	1	
87*	14752	Conversion kit, SMS (CE)	1	
Recommended Parts: A = Truck Stock; B = Dist. Stock * = Not Shown				



For the most up-to-date parts information, visit
<https://parts.hennypennyhelp.com>.

Element and Insulation Assembly





For the most up-to-date parts information, visit
<https://parts.hennypennyhelp.com>.

Item No.	Part No.	Description	Qty.	Stocking Level
1	SC01-083	Screw, #10-32 x 1/2, CT, FHD	*	
2	35101	Element support, long	5	
3	35100	Element support, short	5	
4	SC01-074	Screw, #10-32 x 1/2, CT, THD, SS	*	
5	35435	Hi-Limit probe bracket	3	
6	35462	Hi-Limit probe bracket	3	
7	35234	Heat element assembly, 8.5 KW 208 VAC	2	B
7	35598	Heat element, 8.5 KW 240 VAC	2	B
7	48367	Heat element, 230 VAC, global only	2	B
7	36290	Heat element, 220 VAC, global only	2	B
8	16855	O-ring seal	4	
9	WA01-005	Washer, 5/8, type A, series N	8	
10	NS01-017	Hex nut, 5/8-18, type B	4	
11	Not Avail.	Vat and countertop weldment	1	
12	35797	Insulation box upper middle weldment	2	
13	WA02-001	Insulation washer, 1-1/2 x .015	*	
14	SC03-005	Screw, #8-AB x .50 CT	*	
15	35519	Side panel insulation	2	
16	NS02-007	Hex keps nut, #8-32, coated	4	
17	35326	Upper front insulation	1	



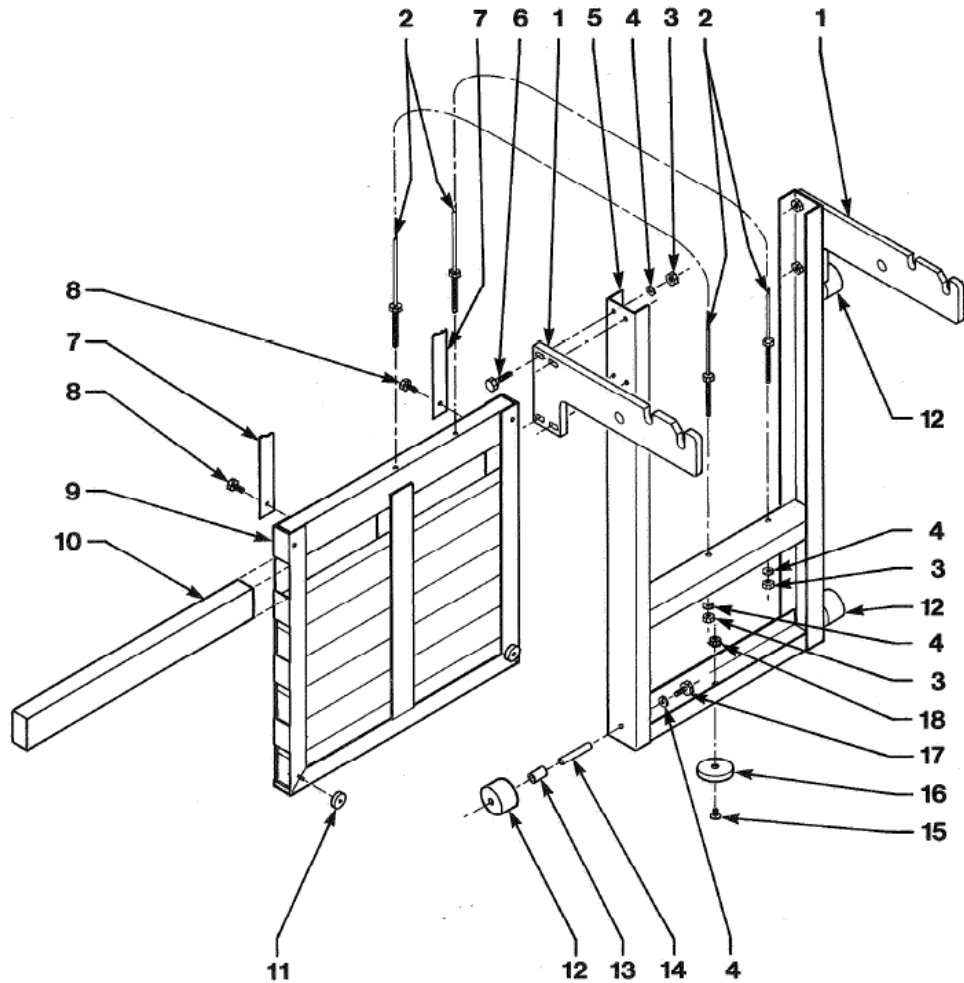
For the most up-to-date parts information, visit
<https://parts.hennypennyhelp.com>.

Item No.	Part No.	Description	Qty.	Stocking Level
18	35531	Front insulation box weldment	1	
19	SC01-053	Screw, #8-32 x 1/2, CT, RHDS	1	
20	35328	Front cutout insulation, 3.19 x 7.00	1	
21	35327	Front cutout insulation, 6.5 x 7.00	1	
22	35334	Middle insulation	1	
23	35529	Middle insulation box weldment	1	
24	35333	Bottom back insulation	1	
25	35528	Bottom insulation box weldment	1	
26	35081	Bottom insulation box	1	
27	35332	Bottom side insulation	2	
28	35329	Upper rear insulation	1	
29	35530	Rear insulation box weldment	1	
Recommended Parts: A = Truck Stock; B = Dist. Stock * = Not Shown				



For the most up-to-date parts information, visit <https://parts.hennypennyhelp.com>.

Counterweight Assembly



Item No.	Part No.	Description	Qty.	Stocking Level
1	35026	Lid support arm	2	
2	140225	Lid cable kit (Qty 2)	1	B



For the most up-to-date parts information, visit
<https://parts.hennypennyhelp.com>.

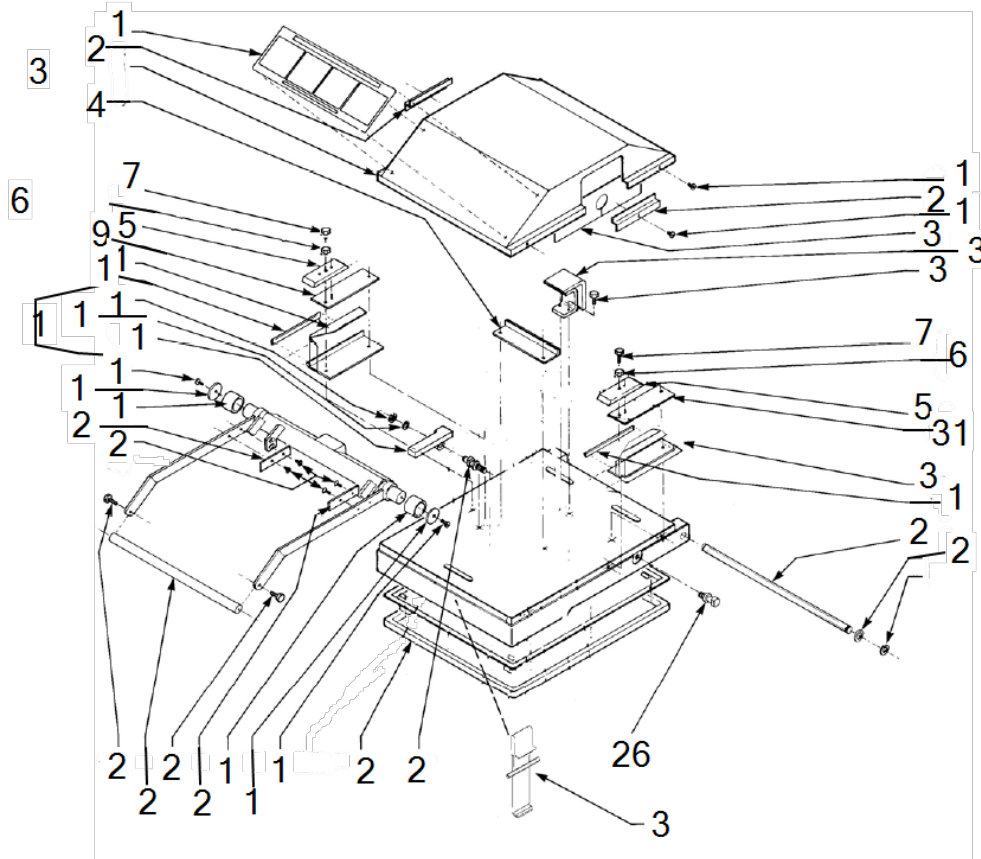
Item No.	Part No.	Description	Qty.	Stocking Level
3	NS01-025	Hex nut, 5/16-18 SS	10	
4	LW01-010	Split ring washer, 3/8, SS	10	
5	35092	Carriage	1	
6	SC01-069	Hex screw, 3/8-16 x 1-1/2, S2P	8	
7	36839	Nylatron slide	2	
8	SC01-042	Hex screw, 3/8-16 x 1, coated	2	
9	36625	Counterweight carriage weld assembly	1	
10	36627	Counterweight bar	7	
11	36626	Counterweight frame spacer	2	
12	67099	Carriage wheel	4	
13	37363	Carriage wheel spacer	4	
14	37364	Spindle	4	
15	SC01-009	Screw, 1/4-20 x 1/2, THD	1	
16	N/A	Magnet, ceramic, small	1	
17	SC01-081	Hex screw, 3/8-24 x 3/4, SS	4	
18	NS02-002	Hex keps nut, 1/4-20	1	

**Recommended Parts: A = Truck Stock; B = Dist. Stock
 * = Not Shown**



For the most up-to-date parts information, visit
<https://parts.hennypennyhelp.com>.

Lid Assembly



Item No.	Part No.	Description	Qty.	Stocking Level
1	35792	Lid instruction label	1	
2	35675	Lid filler	2	
3	35243	Main lid cover	1	
4	35413	Trip plate	1	
5	52627	Pressure pad assembly	2	A
5	49864	Pressure pad (use 52627)	2	A



For the most up-to-date parts information, visit
<https://parts.hennypennyhelp.com>.

Item No.	Part No.	Description	Qty.	Stocking Level
6	49852	Bushing	2	
7	SC01-204	Sock butt head screw, 1/4-20 x 1.00	2	
8*	37171	Lid shim, .030	1	
9	49962	Shim assembly plate, left	1	
10	49890	Cam guide plate, left	1	
11	35359	Slide, 6 in	2	
12	183138	Service kit, lid stop	1	
13	- RR01-004	Retaining ring, 1/2 inch	1	
14	- WA01-020	Washer, ID 0.513, OD 0.750, thick 0.05	1	
15	- 51531	Lid stop cast	1	
16*	- 96405	Hex screw, 1/4 x 0.656 SHLDR	1	
17	SC01-074	Screw, #10-32 x 1/2, CT, THD, SS	8	
18	35223	Special washer	1	
19	140440	Linkage shaft roller kit	2	
20	35339	Handle side guide	2	
21	SC01-062	Screw, #6-32 x 3/8, CT, FH	4	
22	SC01-041	Hex screw, 5/16-18 x 1.00, coated	2	
23	36285	Handle tap plate weldment	1	
24	34526	Lid gasket (SN: AC0712021 & below)	1	A
24	66620	Lid gasket (SN: AC0712022 & above)	1	A



For the most up-to-date parts information, visit
<https://parts.hennypennyhelp.com>.

Item No.	Part No.	Description	Qty.	Stocking Level
25	35945	Lid support pin	1	
26	35032	Lid support pin	1	
27	RR01-010	Retaining ring, 3/4 shaft, SS	2	
28	36312	Lid hinge washer	2	
29	51697	Lid hinge pin	1	
30	49895	Cam guide plate, right	1	
31	49963	Shim assembly plate, right	1	
32	SC01-146	Hex screw, 1/4-20 x 3/4, SS	2	
33	52477	Lid lift	1	
34	35465	Cam slide filler	2	A
35	52497	Latch assembly, coated	1	
36*	52498	Latch spring	1	
37*	SC01-214	Latch screw, 10-32 x 1 CT, THD, SS	2	
38*	LW02-006	Latch lockwasher	2	
39*	35194	Carrier, electric	1	
Recommended Parts: A = Truck Stock; B = Dist. Stock * = Not Shown				



For the most up-to-date parts information, visit
<https://parts.hennypennyhelp.com>.

Lid and Cover Assemblies

			Part (A)	Part (B)	Part (C)	Part (D)	Part (E)
Part No.	Description	Language	Lid Instruction Label	Lid Danger Label	Danger Stirring Label	Danger Oil Label	Operational Hazard Label
15492-4-001	Lid and Cover Assembly	English	35792	35822	37933	37934	66444
15492-4-002	Lid and Cover Assembly	English and French	35792	52203 and 35822	37989 and 37933	37990 and 37934	71901
15492-4-003	Lid and Cover Assembly	English and Spanish	67329	45741 and 35822	44890 and 37933	44895 and 37934	96704
15492-4-004	Lid and Cover Assembly	Arabic	35792	96912	96913	96914	96915
15492-4-005	Lid and Cover Assembly	English for Australia	35792	35822	37933	37934	96705
15492-4-006	Lid and Cover Assembly	Czech	68234	68230	68232	68233	68236
15492-4-007	Lid and Cover Assembly	Danish	46890	61045	61054	61055	71532
15492-	Lid and	Dutch	54987	55456	55458	55541	71533



For the most up-to-date parts information, visit
<https://parts.hennypennyhelp.com>.

			Part (A)	Part (B)	Part (C)	Part (D)	Part (E)
Part No.	Description	Language	Lid Instruction Label	Lid Danger Label	Danger Stirring Label	Danger Oil Label	Operational Hazard Label
4-008	Cover Assembly						
15492-4-009	Lid and Cover Assembly	French	35792	52203	37989	37990	70673
15492-4-010	Lid and Cover Assembly	German	34473	34474	34481	34482	69495
15492-4-011	Lid and Cover Assembly	Greek	46892	61415	61421	61432	71089
15492-4-012	Lid and Cover Assembly	Hungarian	95691	71518	71522	71523	71536
15492-4-013	Lid and Cover Assembly	Italian	46889	61381	61388	61389	73508
15492-4-014	Lid and Cover Assembly	Polish	61548	61431	61432	61433	71535
15492-4-015	Lid and Cover Assembly	Portuguese	54986	61262	61269	61270	71534



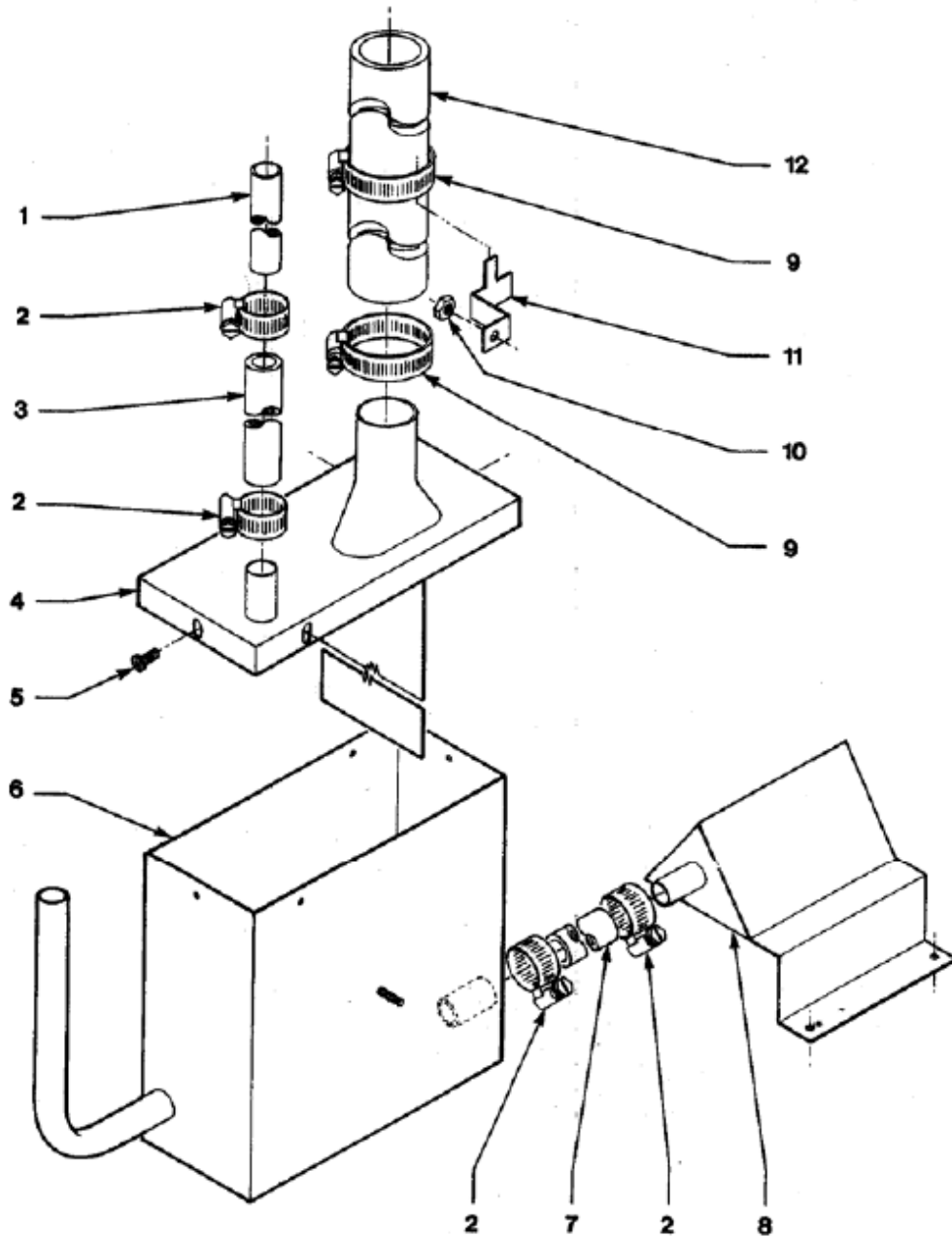
For the most up-to-date parts information, visit
<https://parts.hennypennyhelp.com>.

			Part (A)	Part (B)	Part (C)	Part (D)	Part (E)
Part No.	Description	Language	Lid Instruction Label	Lid Danger Label	Danger Stirring Label	Danger Oil Label	Operational Hazard Label
15492-4-016	Lid and Cover Assembly	Simplified Chinese	77462	77458	77459	77460	77461
15492-4-017	Lid and Cover Assembly	Slovak	35792	78323	78325	78321	78326
15492-4-018	Lid and Cover Assembly	Spanish	67329	45741	44890	44895	70671
15492-4-019	Lid and Cover Assembly	Traditional Chinese	82356	82359	81856	81861	82358



For the most up-to-date parts information, visit
<https://parts.hennypennyhelp.com>.

Exhaust Stack Assembly





For the most up-to-date parts information, visit
<https://parts.hennypennyhelp.com>.

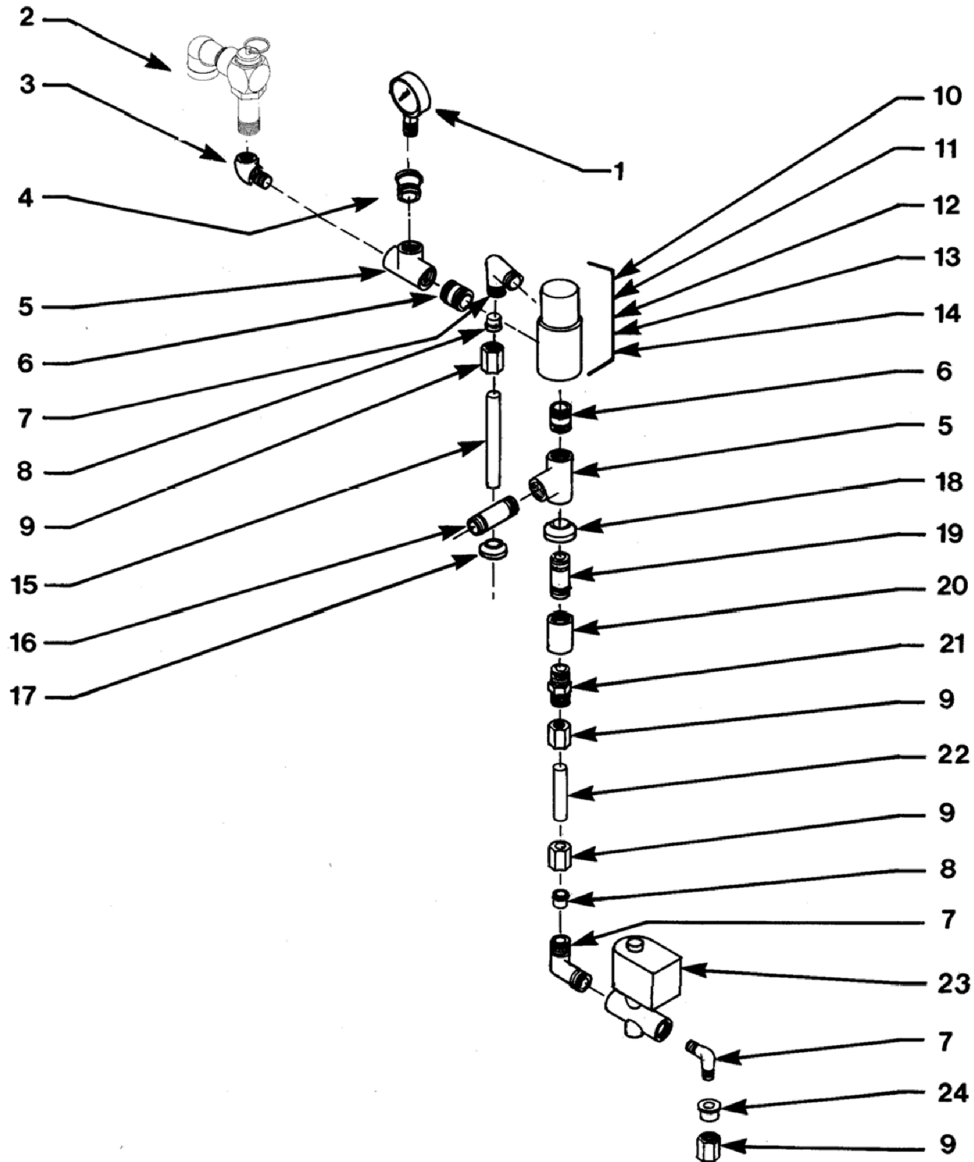
Item No.	Part No.	Description	Qty.	Stocking Level
1	35686	Deadweight to exhaust stack tube, SS	1	
2	MS01-297	Hose clamp, .500 - 1.062 DID,SS	4	
3	35693	Exhaust connect tube	1	
4	86969	Steam box assembly	1	
5	SC02-014	Screw, #8 AB x 3/8, THD, SS	4	
6	35687	Steam exhaust box weldment	1	
7	35694	Condensate tube	1	
8	70312	Restrictor weld assembly	1	
9	MS01-315	Hose clamp, 1/2 x 1-3/4, SS	2	
10	NS01-011	Hex nut, #10-32	1	
11	36851	Hose bracket	1	
12	21877	Steam exhaust tubing,	4	
13*	140109	Steam box replacement kit (vat to steam box (steam box and solenoid not included))	1	
13*	140105	Steam box replacement kit (Fittings, steam box and 208-240V solenoid valve included)	1	

Recommended Parts: A = Truck Stock; B = Dist. Stock
*** = Not Shown**



For the most up-to-date parts information, visit
<https://parts.hennypennyhelp.com>.

Pressure Relief and Deadweight Assembly



NOTE: Turn relief valve towards left side of fryer.



For the most up-to-date parts information, visit
<https://parts.hennypennyhelp.com>.

Item No.	Part No.	Description	Qty.	Stocking Level
1	16910	Pressure Gauge	1	A
2	59742	Relief valve assembly		A
3	FP01-127	Street elbow, ½ x ½, 90 Degree	1	
4	FP01-063	Reducer, ½ NPT male to ¼ NPT female	1	
5	FP01-011	Pipe tee, ½ NPT, 304, SS	1	
6	FP01-028	Close nipple, ½ NPT	2	
7	17407	Elbow connector, ½, male	2	
8	16817	Sleeve fitting, Teflon	3	
9	16809	Nut fitting	*	
10	56307	Deadweight cap	* 1	
11	16902	O-ring seal	1	
12	16903	Deadweight	1	
13	16918	Orifice, 12 PSI	1	
14	16852	Valve body	1	
15	35686	Tube, Deadweight to exhaust stack	1	
16	35817	Pipe nipple, ½ x 2 ¼, SS	1	
17	16804	Umbrella grommet	1	
18	35200	Umbrella grommet	1	
19	35474	Pipe nipple, ½ x 2	1	
20	FP01-066	Coupling, ½ NPT, SS	1	



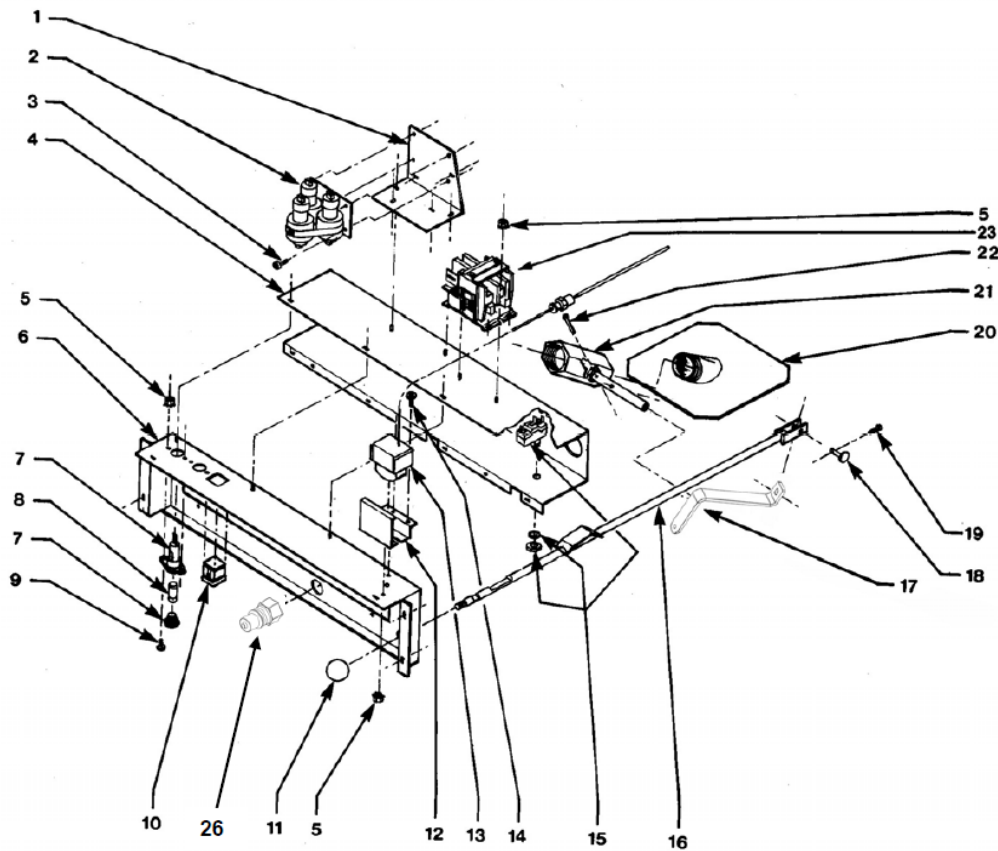
For the most up-to-date parts information, visit
<https://parts.hennypennyhelp.com>.

Item No.	Part No.	Description	Qty.	Stocking Level
21	16807	Fitting connector, male	1	
22	35147	Steam exhaust tube, up	1	
23	18721	Solenoid valve	1	A
24	16808	Fitting sleeve, steel	1	
Recommended Parts: A = Truck Stock; B = Dist. Stock * = Not Shown				



For the most up-to-date parts information, visit
<https://parts.hennypennyhelp.com>.

Contactor Assembly



Item No.	Part No.	Description	Qty.	Stocking Level
1	19683	Mercury contactor bracket	1	
2	29942	Mercury contactor, 208/240 VAC	1	A
2*	65075	E/M Heat contactor, 240 VAC, UK, CE	1	A
2*	65074	E/M Heat contactor, 230 VAC, CE	1	A
3	SC04-003	Screw, #8-32 x 3/8, CT	2	
4	35416	Contactor bracket weldment	1	



For the most up-to-date parts information, visit
<https://parts.hennypennyhelp.com>.

Item No.	Part No.	Description	Qty.	Stocking Level
5	NS02-005	Hex keps nut, #6-32	*	
6	35107	Drain rod weldment bracket	1	
7	EF02-006	Fuse holder	2	A
8	EF02-007	Fuse, 15 Amp	2	A
9	SC01-010	Screw, #6-32 x 1/2, CT	4	
10	MS01-197	NEMA receptacle, 5-15	1	
10	56063	Cord assembly, CE	1	
10	14721	Receptacle kit, Non-CE to CE	1	
11	16102	Spindle knob, Red	1	
12	17216	Hi-Limit Probe bracket	1	
13	16738	Hi-Limit temperature control, 450°F	1	A
14	SC04-004	Screw, #8-32 x 3/8 CT	2	
15	18227	Microswitch	1	A
16	N/A	Drain rod handle	1	
17	55139	Drain valve lever	1	
18	PN01-012	Clevis pin, 1/4 x 1 SS	1	
19	PN01-002	Cotter pin, 3/32 x 3/4 SS	1	
20	35521	Splash guard assembly	1	
21	55137	Drain valve and coupling assembly	1	
22	17255	Cotter pin, 9/64 x 1 ¼	2	



For the most up-to-date parts information, visit
<https://parts.hennypennyhelp.com>.

Item No.	Part No.	Description	Qty.	Stocking Level
23	19405	Contactora, 208/240 VAC	1	A
24	14329	Probe kit, without SMS (Not Shown)	1	A
24*	14335	Probe kit, with SMS (Not Shown)	1	A
25	56065	Cord adaptor assembly, 580 to PF-180 (used in conjunction with 56063 with units of SN: AG005II and below)	1	
26	17334	Male disconnect	1	A
27*	35475	3/8 x 2 in. pipe nipple	1	
28*	35472	Pressure check valve	1	A
29*	36315	3/8 x 6.5 in. pipe nipple	1	
30*	51057	EMC filter assembly, CE	1	B
31*	48369	Switch cover, plastic, CE	1	
Recommended Parts: A = Truck Stock; B = Dist. Stock * = Not Shown				



For the most up-to-date parts information, visit
<https://parts.hennypennyhelp.com>.

KFC Pressure Fryer Safety Inspection Tag

Part No.	Inspection Year	Tag Color	Expiring Year
167160-020	2020	Black	2021
167160-021	2021	Red	2022
167160-022	2022	Blue	2023
167160-023	2023	Yellow	2024
167160-024	2024	Green	2025
167160-025	2025	Black	2026
167160-026	2026	Red	2027
167160-027	2027	Blue	2028
167160-028	2028	Yellow	2029
167160-029	2029	Green	2030