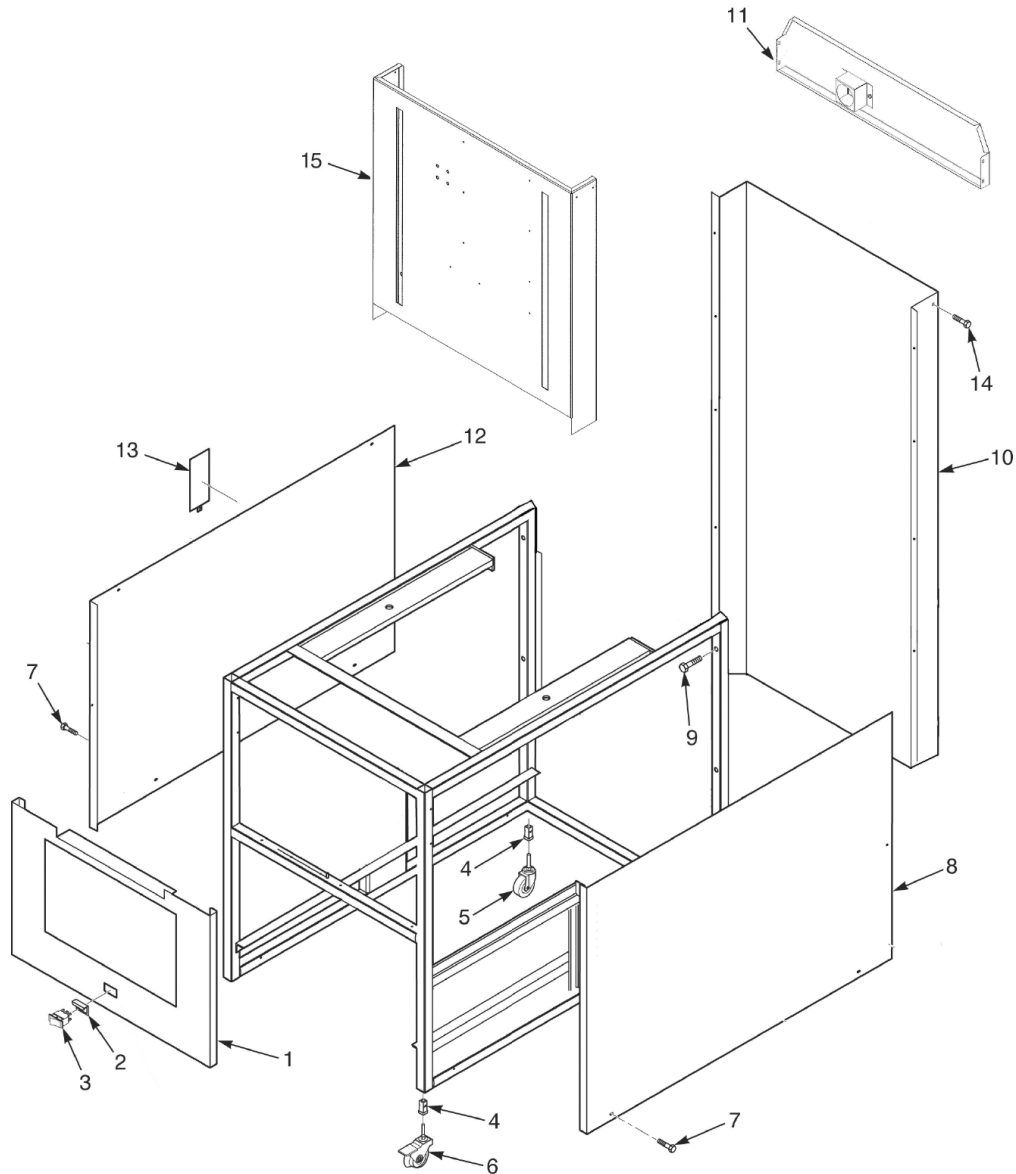




For the most up-to-date parts information, visit
<https://parts.hennypennyhelp.com>.

Frame and Cover Assembly



Item No.	Part No.	Description	Qty.	Stocking Level
1	39796	Control panel front weldment	1	



For the most up-to-date parts information, visit
<https://parts.hennypennyhelp.com>.

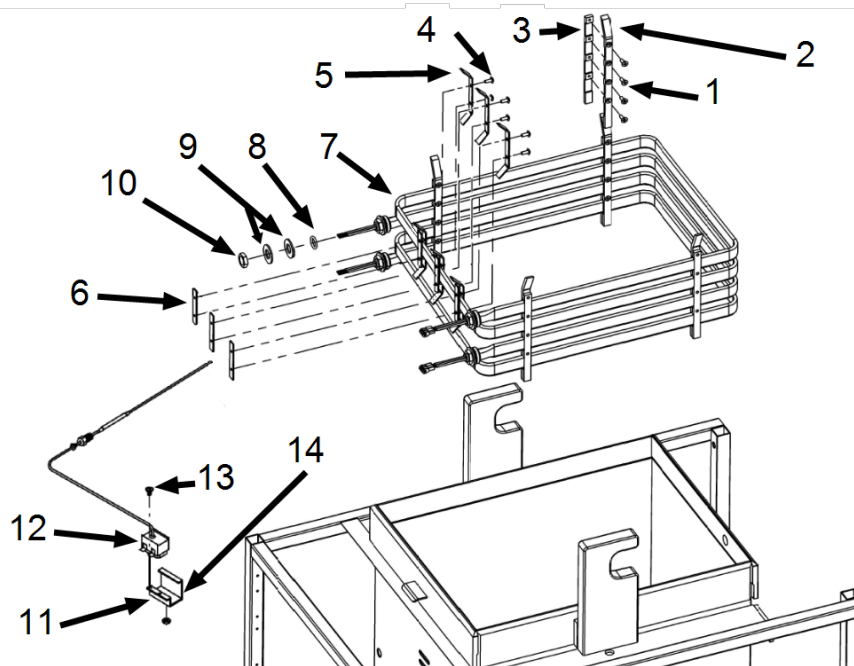
Item No.	Part No.	Description	Qty.	Stocking Level
2	53669	Power switch guard	1	
3	29898	Power switch	1	A
3*	176400	- Power switch cover (CE)	1	A
4	54225	Leg insert, 1 in, machined	4	
5	35154	Swivel caster, 4 in	2	C
6	37246	Swivel lock caster with brake	2	C
7	SC03-005	Screw, #8 x 1/2 in CT	4	
8	66934	Side panel, right	1	
9	SC01-215	Hex screw, 5/16-18 x 2.5 in	4	
10	37291	Rear shroud access assembly	1	
11	35726	Rear shroud top cover	1	
12	66933	Side panel, left	1	
12	14457	Sound deadening kit	1	
13	36337	Access door	1	
14	SC02-023	Screw, #8-B x 3/8 in CT SS	5	
15	62085	Rear shroud	1	
16*	03156	Tether kit	1	
	12199	Oil test kit	A/R	
Recommended Parts: A = Truck Stock; B = Dist. Stock * = Not Shown				



For the most up-to-date parts information, visit
<https://parts.hennypennyhelp.com>.

Element and High Limit Assembly

Bulb and Cap High Limit Assembly - AC2406028 and Before



Item No.	Part No.	Description	Qty.	Stocking Level
1	SC01-083	Screw, #10-32 x 1/2, CT, FHD	A/ R	
2	35101	Long element support	5	
3	35100	Short element support	5	
4	SC01-074	Screw, #10-32 x 1/2, CT, THD, S	A/ R	
5	35435	High limit probe bracket	3	
6	35462	High limit probe bracket	3	



For the most up-to-date parts information, visit
<https://parts.hennypennyhelp.com>.

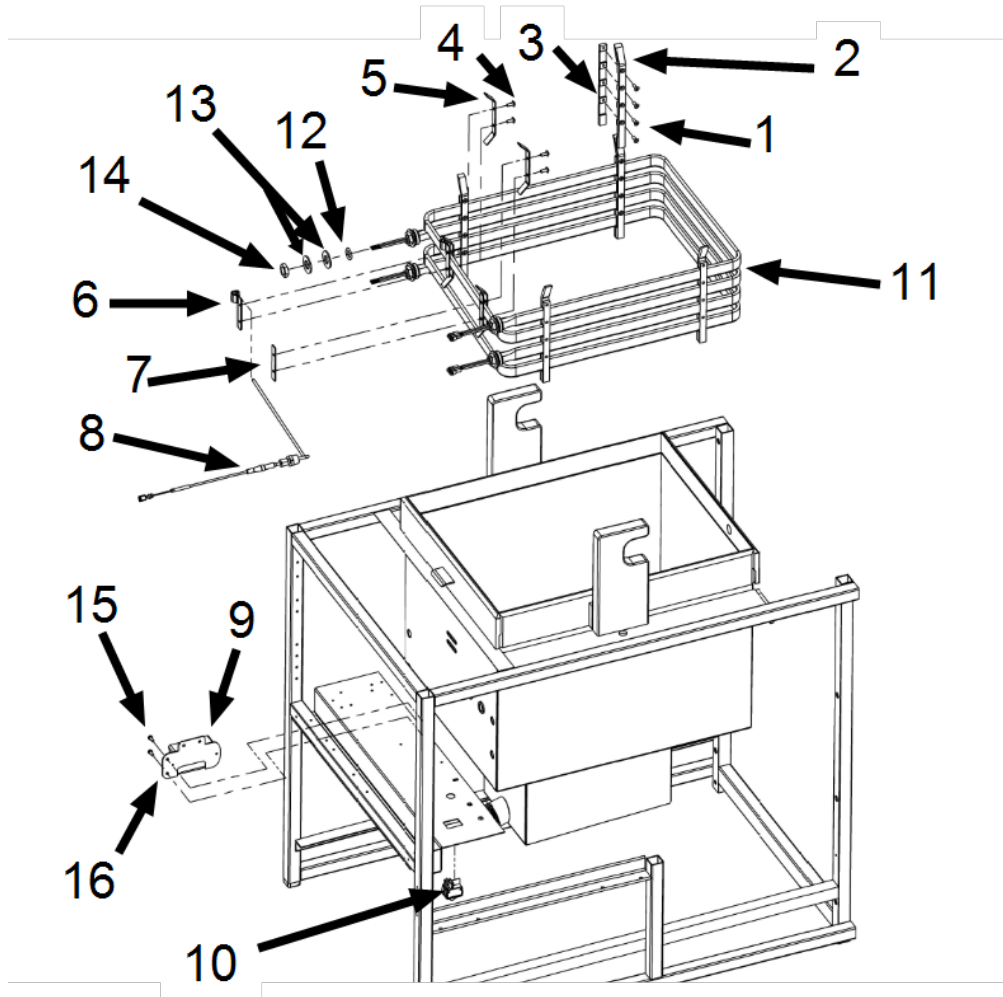
Item No.	Part No.	Description	Qty.	Stocking Level
7	35234	Heating element assembly, 8.5 KW 208 VAC	2	B
7	35598	Heating element, 8.5 KW 240 VAC	2	B
7	48367	Heating element, 230 VAC (Int'l Only)	2	B
7	36290	Heating element, 220 VAC (Int'l Only)	2	B
8	16855	O-ring seal	4	
9	WA01-005	Washer, 5/8 diameter, type A, series N	8	
10	NS01-017	Hex nut, 5/8-18 B	4	
11	17216	High limit bracket	1	
12	16738	High limit, 450° F	1	A
12	60241	High limit, 425° F, CE	1	A
13	SC02-014	Thread forming screw, #8	2	
14	NS02-001	Hex keps nut, #10-32	2	

**Recommended Parts: A = Truck Stock; B = Dist. Stock
A/R = As Required**



For the most up-to-date parts information, visit
<https://parts.hennypennyhelp.com>.

Electric Dual High Limit Assembly - AC2406029 and After



Item No.	Part No.	Description	Qty.	Stocking Level
1	SC01-083	Screw, #10-32 x 1/2, CT, FHD	A/ R	
2	35101	Long element support	5	
3	35100	Short element support	5	



For the most up-to-date parts information, visit
<https://parts.hennypennyhelp.com>.

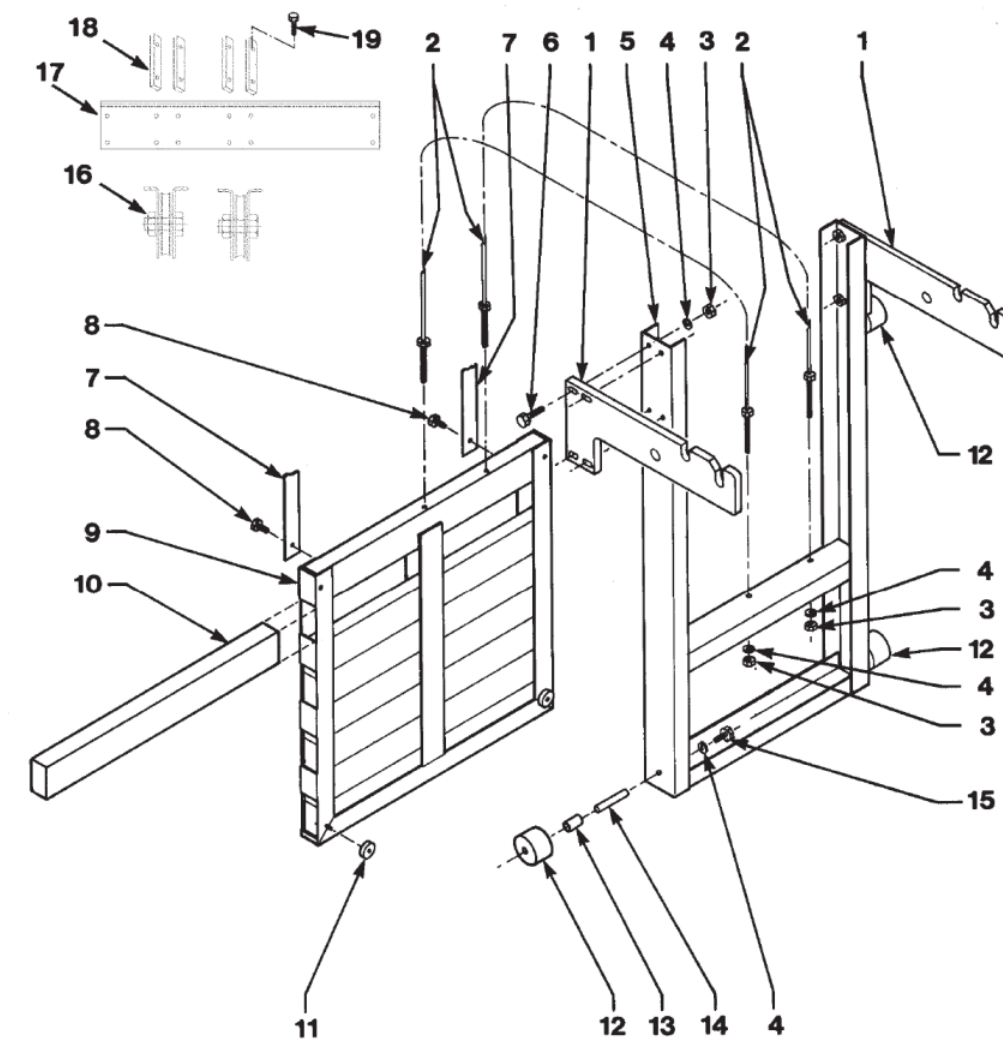
Item No.	Part No.	Description	Qty.	Stocking Level
4	SC01-074	Screw, #10-32 x 1/2, CT, THD, S	A/ R	
5	185389	High limit probe bracket, inside	2	
6	35462	High limit probe bracket, front right	1	
7	186841	High limit probe bracket, front left	1	
8	179267	Dual high limit temperature probe	1	A
9	175915-008	Kit-dual high limit module	1	A
10	186156	High limit reset switch	1	A
11	35234	Heating element assembly, 8.5 KW 208 VAC	2	B
11	35598	Heating element, 8.5 KW 240 VAC	2	B
11	48367	Heating element, 230 VAC (Int'l Only)	2	B
11	36290	Heating element, 220 VAC (Int'l Only)	2	B
12	16855	O-ring seal	4	
13	WA01-005	Washer, 5/8 diameter, type A, series N	8	
14	NS01-017	Hex nut, 5/8-18 B	4	
15	SC03-005	Screw, #8 x 1/2, Phillips	A/R	
16	186049	Hi-Limit module bracket	1	
17*	NS02-005	Nut hex keps, #6-32	A/R	
18*	140848	Kit-59X electric high limit upgrade		

Recommended Parts: A = Truck Stock; B = Dist. Stock
A/R = As Required



For the most up-to-date parts information, visit <https://parts.hennypennyhelp.com>.

Counterweight System



Item No.	Part No.	Description	Qty.	Stocking Level
1	35026	Lid support arm	2	
2	140225	Cable kit, 2 cables	1	A



For the most up-to-date parts information, visit
<https://parts.hennypennyhelp.com>.

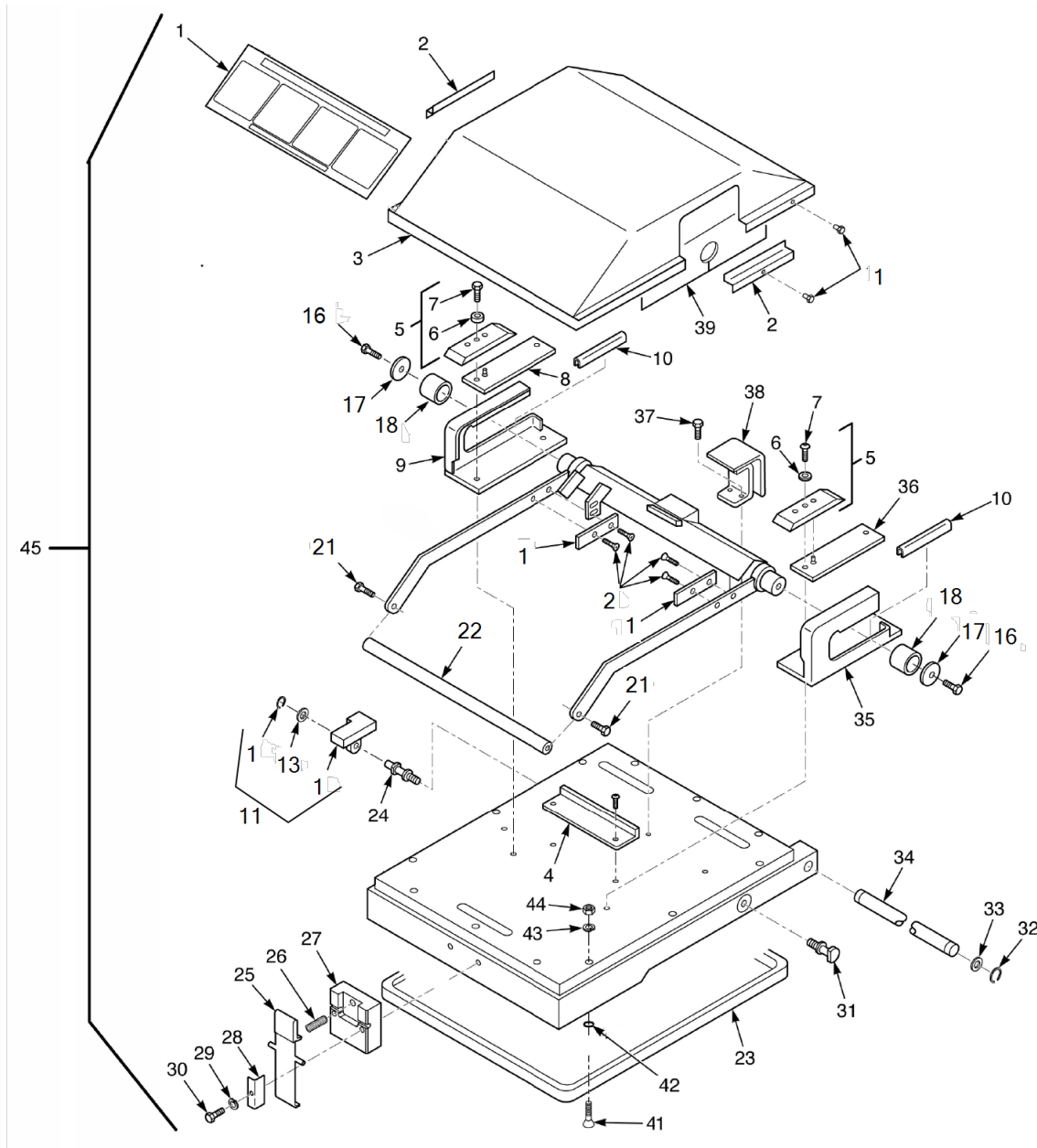
Item No.	Part No.	Description	Qty.	Stocking Level
3	NS01-025	Hex nut, 5/16-18 SS	10	
4	LW01-010	Split ring washer, 3/8 SS	10	
5	35092	Carriage	1	
6	SC01-069	Hex screw, 3/8-16 X 1-1/2, S2P	8	
7	36839	Nylatron slide	2	
8	SC01-042	Hex screw, 3/8-16 X 1, coated	2	
9	36625	Counterweight carriage weld assembly	1	
10	36627	Counterweight bar	7	
11	36626	Counterweight frame spacer	2	
12	67099	Carriage wheel	4	
13	37363	Carriage wheel spacer	4	
14	37364	Spindle	4	
15	SC01-081	Hex screw, 3/8-24 X 3/4, SS	4	
16	35962	Bracket/wheel assembly	2	
17	36561	Top frame brace	1	
18	35954	Support pulley plate	4	
19	SC01-132	Cap screw, SOC HD, 1/2-20 X 5/8	8	

Recommended Parts: A = Truck Stock; B = Dist. Stock
*** = Not Shown**



For the most up-to-date parts information, visit
<https://parts.hennypennyhelp.com>.

Lid and Cover Assembly





For the most up-to-date parts information, visit
<https://parts.hennypennyhelp.com>.

Item No.	Part No.	Description	Qty.	Stocking Level
1	35792	Lid instruction label	1	
2	35675	Lid filler	2	
3	35243	Main lid cover	1	
4	35413	Trip plate	1	
5	52627	Pressure pad assembly	2	A
6	49852	Pressure pad bushing	2	
7	SC01-204	Sock butt screw, 1/4-20X1.00	2	
8	49962	Shim assembly plate, left	1	
9	49890	Cam guide plate, left	1	
10	35359	Slide, 6 in	2	C
11	183138	Service kit, lid stop	1	
12	- RR01-004	Retaining ring, 1/2 in	1	
13	- WA01-020	Washer, ID 0.513, OD 0.750, thick 0.05	1	
14	- 51531	Lid stop cast	1	
15*	- 96405	Hex screw, 1/4 x 0.656 SHLDR		
16	- SC01-074	Screw, #10-32 x 12, CT, SS	8	
17	35223	Special washer	1	
18	140440	Linkage shaft roller kit	2	
19	35339	Handle side guide	2	
20	SC01-062	Screw, #6-32 x 3/8 CTFH	4	



For the most up-to-date parts information, visit
<https://parts.hennypennyhelp.com>.

Item No.	Part No.	Description	Qty.	Stocking Level
21	SC01-041	Hex screw, 5/16-18 x 1.00, coated	2	
22	36285	Handle tap plate weldment	1	
23	34526	Lid gasket (SN: AP0712021 & below)	1	A
23	66620	Lid gasket (SN: AP0712022 & above)	1	A
24	35945	Lid support pin	1	
25	52497	Latch assembly, coated	1	
26	52498	Latch spring	1	
27	59169	Lid latch bracket, machined	1	
28	51707	Lid latch bracket	2	
29	LW02-006	Latch lockwasher	2	
30	SC01-248	Latch screw, 10-32 x 1.25, CT , SS	2	
31	35032	Lid support pin	1	
32	RR01-010	Retaining ring, 3/4 shaft, SS	2	
33	36312	Lid hinge washer	2	
34	51697	Lid hinge pin	1	
35	49895	Cam guide plate, right	1	
36	49963	Plate shim assembly, right	1	
37	SC01-146	Hex screw, 1/4-20 x 3/4, SS	2	
38	52477	Lid lift	1	
39	35465	Cam slide filler	2	A



For the most up-to-date parts information, visit
<https://parts.hennypennyhelp.com>.

Item No.	Part No.	Description	Qty.	Stocking Level
41	SC01-195	Screw, 8-32 x 1-7/16, CT, FHD, SS	12	
42	N/A	O-ring, 5/16 x 1/16 diameter	12	
43	LW01-002	Split ring lockwasher, 1/4, SS	12	
44	NS01-008	Hex nut, 8-32	12	
45	See Lid and Cover Assemblies Below	Lid assembly, 580, 590, and 591	1	C

Recommended Parts: A = Truck Stock; B = Dist. Stock
*** = Not Shown**

Lid and Cover Assemblies

Part No.	Description	Language	Part (A) Lid Instruction Label	Part (B) Lid Danger Label	Part (C) Danger Stirring Label	Part (D) Danger Oil Label	Part (E) Operational Hazard Label
15492-4-001	Lid and Cover Assembly	English	35792	35822	37933	37934	66444
15492-4-002	Lid and Cover Assembly	English and French	35792	52203 and 35822	37989 and 37933	37990 and 37934	71901
15492-4-003	Lid and Cover Assembly	English and Spanish	67329	45741 and 35822	44890 and 37933	44895 and 37934	96704



For the most up-to-date parts information, visit
<https://parts.hennypennyhelp.com>.

			Part (A)	Part (B)	Part (C)	Part (D)	Part (E)
Part No.	Description	Language	Lid Instruction Label	Lid Danger Label	Danger Stirring Label	Danger Oil Label	Operational Hazard Label
15492-4-004	Lid and Cover Assembly	Arabic	35792	96912	96913	96914	96915
15492-4-005	Lid and Cover Assembly	English for Australia	35792	35822	37933	37934	96705
15492-4-006	Lid and Cover Assembly	Czech	68234	68230	68232	68233	68236
15492-4-007	Lid and Cover Assembly	Danish	46890	61045	61054	61055	71532
15492-4-008	Lid and Cover Assembly	Dutch	54987	55456	55458	55541	71533
15492-4-009	Lid and Cover Assembly	French	35792	52203	37989	37990	70673
15492-4-010	Lid and Cover Assembly	German	34473	34474	34481	34482	69495
15492-4-011	Lid and Cover	Greek	46892	61415	61421	61432	71089



For the most up-to-date parts information, visit
<https://parts.hennypennyhelp.com>.

			Part (A)	Part (B)	Part (C)	Part (D)	Part (E)
Part No.	Description	Language	Lid Instruction Label	Lid Danger Label	Danger Stirring Label	Danger Oil Label	Operational Hazard Label
	Assembly						
15492-4-012	Lid and Cover Assembly	Hungarian	95691	71518	71522	71523	71536
15492-4-013	Lid and Cover Assembly	Italian	46889	61381	61388	61389	73508
15492-4-014	Lid and Cover Assembly	Polish	61548	61431	61432	61433	71535
15492-4-015	Lid and Cover Assembly	Portuguese	54986	61262	61269	61270	71534
15492-4-016	Lid and Cover Assembly	Simplified Chinese	77462	77458	77459	77460	77461
15492-4-017	Lid and Cover Assembly	Slovak	35792	78323	78325	78321	78326
15492-4-018	Lid and Cover Assembly	Spanish	67329	45741	44890	44895	70671



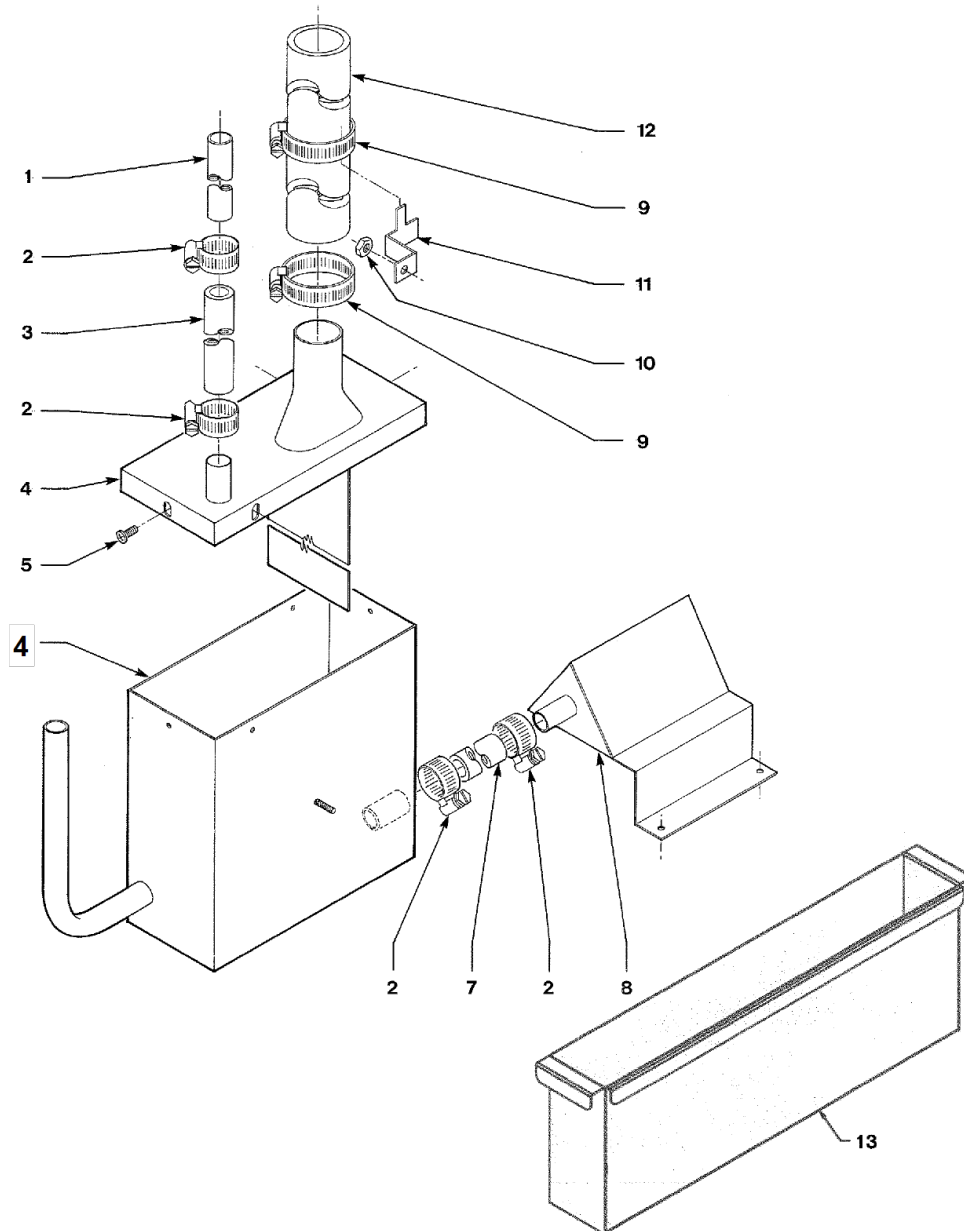
For the most up-to-date parts information, visit
<https://parts.hennypennyhelp.com>.

			Part (A)	Part (B)	Part (C)	Part (D)	Part (E)
Part No.	Description	Language	Lid Instruction Label	Lid Danger Label	Danger Stirring Label	Danger Oil Label	Operational Hazard Label
15492-4-019	Lid and Cover Assembly	Traditional Chinese	82356	82359	81856	81861	82358



For the most up-to-date parts information, visit
<https://parts.hennypennyhelp.com>.

Steambox and Hose Assembly





For the most up-to-date parts information, visit
<https://parts.hennypennyhelp.com>.

Item No.	Part No.	Description	Qty.	Stocking Level
1	35686	Deadweight to exhaust stack tube, SS	1	
2	MS01-297	Hose clamp, SS , .500 - 1.062 DID	4	
3	35693	Exhaust connect tube	1	
4	87900	Steam box assembly, (AC1011006 and below)	1	
4	86969	Steam box assembly, (AC1011007 and after)	1	
5	SC02-041	Screw, #8-18 X 7/16, CT, IND external TRX	4	
7	82517	Condensate hose (SN: AC0903045 & above)	1	
7	66723	Condensate tube (SN: IG048JC - AC0903044)	1	
7	62211	Condensate tube (SN: IG047JC & below)	1	
8	69263	Restrictor	1	
9	MS01-315	Hose clamp, 12; X 1-3/4, SS	2	
10	NS01-011	Hex nut, #10-32	1	
11	36851	Hose bracket	1	
12	21877	Steam exhaust tubing	4	
13	71409	Condensate pan weldment	1	
14*	EF02-118	2 hole conduit clamp, 1in EMT, condensate hose	1	
15*	140001	Steam box replacement kit (vat to steam box (steam box and solenoid not included))	1	



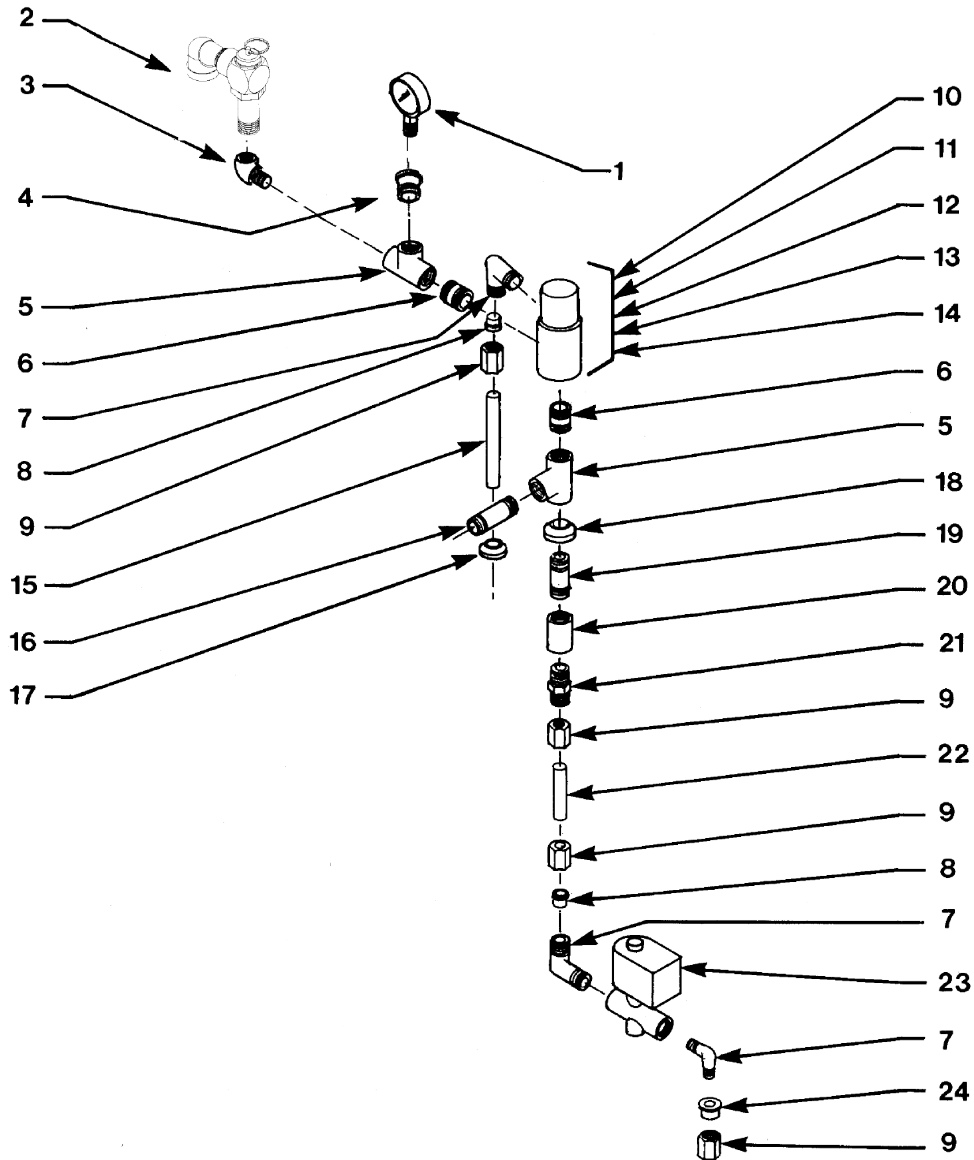
For the most up-to-date parts information, visit
<https://parts.hennypennyhelp.com>.

Item No.	Part No.	Description	Qty.	Stocking Level
15*	140104	Steam box replacement kit (Fittings, steam box and 208-240V solenoid valve included)	1	
<p>Recommended Parts: A = Truck Stock; B = Dist. Stock * = Not Shown</p>				



For the most up-to-date parts information, visit
<https://parts.hennypennyhelp.com>.

Deadweight and Solenoid Assembly



Item No.	Part No.	Description	Qty.	Stocking Level
1	16910	Pressure gauge	1	A



For the most up-to-date parts information, visit
<https://parts.hennypennyhelp.com>.

Item No.	Part No.	Description	Qty.	Stocking Level
1	174091	Pressure gauge, metric kPa (Hong Kong)	1	A
2	59742	Relief valve assembly	1	A
3	FP01-127	Street elbow, 12; X 12;, 90 degree	1	
4	FP01-063	Reducer, 12; NPT male TO 14; NPT female	1	
5	FP01-011	Pipe tee, 304, NPTSS	2	
6	FP01-028	Close nipple, NPT	2	
7	17407	Male elbow connector	3	
8	16817	Sleeve fitting, teflon	A/R	
9	16809	Nut fitting	A/R	
10	56307	Dead weight cap	1	
11	16902	Seal O-ring	1	
12	16903	Deadweight, 12 PSI	1	C
12	65449	Deadweight, 3 PSI	1	C
12	81343	Deadweight, 11 PSI	1	C
13	16918	Orifice, 12 PSI	1	
14	93901	Valve body	1	
15	35686	Deadweight to exhaust stack tube	1	
16	35817	Pipe nipple, X 2 SS	1	
17	16804	Umbrella grommet	1	
18	35200	Umbrella grommet	1	



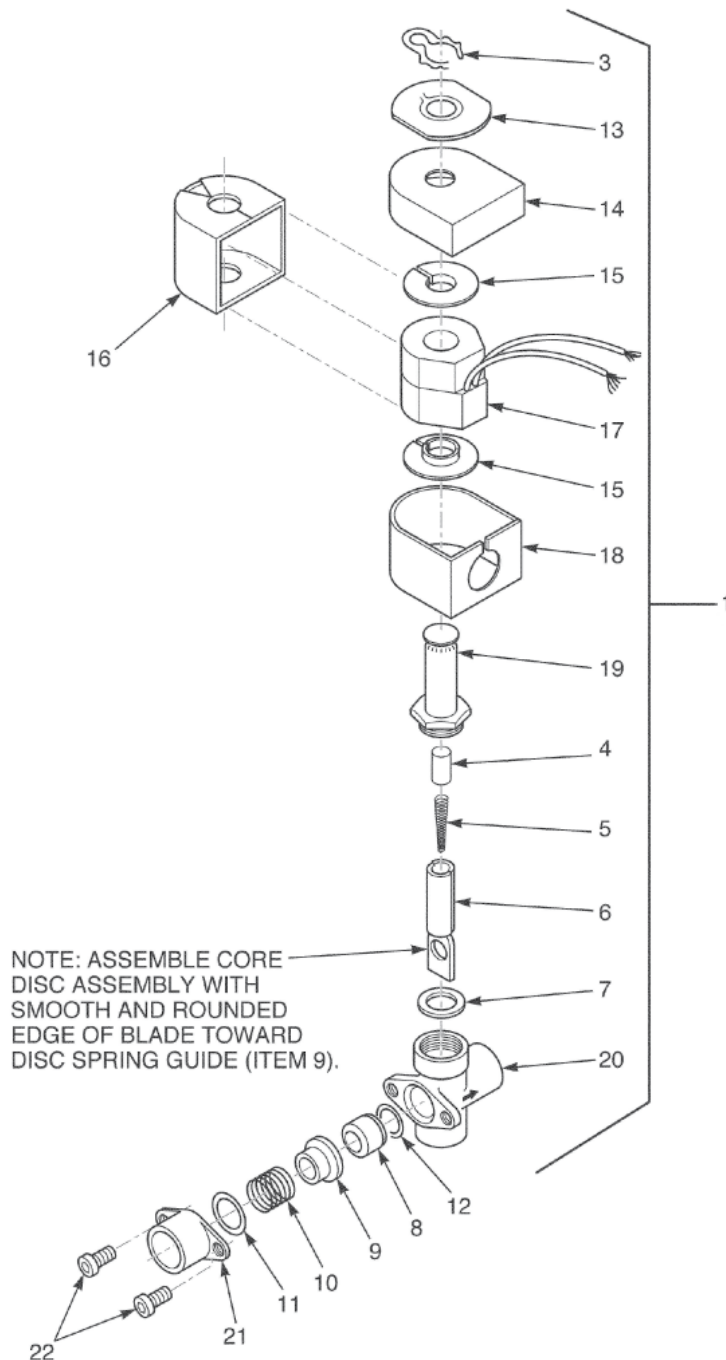
For the most up-to-date parts information, visit
<https://parts.hennypennyhelp.com>.

Item No.	Part No.	Description	Qty.	Stocking Level
19	35474	Pipe nipple,, X 2	1	
20	FP01-066	Coupling, NPT, SS	1	
20	FP01-080	Coupling, 1/2 NPT, SS	1	
21	16807	Male fitting connector	1	
22	35147	Steam exhaust tube, up	1	
23		See Solenoid Valve Assembly		
24	16808	Sleeve fitting, steel	1	
25	16912	Deadweight assembly decal	1	
26*	140463	Pressure test gauge kit	1	
Recommended Parts: A = Truck Stock; B = Dist. Stock * = Not Shown A/R = As Required				



For the most up-to-date parts information, visit <https://parts.hennypennyhelp.com>.

Solenoid Valve Assembly





For the most up-to-date parts information, visit
<https://parts.hennypennyhelp.com>.

Item No.	Part No.	Description	Qty.	Stocking Level
1	18721	Solenoid valve, 208-240 VAC, 60 Hz	1	A
1	18724	Solenoid valve, 208-240 VAC, 50 Hz	1	
2*	17120	Solenoid valve repair kit	1	A
3	- 17101	- Retainer clip	1	
4	- 17109	- Retainer spring	1	
5	- 17110	- Core spring	1	
6	- 17111	- Disc assembly core	1	
7	- 17112	- Bonnet gasket	1	
8	- 17114	- Seat, Teflon	1	
9	- 17115	- Disc spring guide	1	
10	- 17116	- Disc spring	1	
11	- 17117	- Retainer spring ring	1	
12	- 17122	- O-ring seal seat	1	
13	N/A	Solenoid name plate	1	A
14	N/A	Coil housing cover	1	A
15	N/A	Coil washer	2	A
16	N/A	Coil yoke	1	A
17	18706	Coil, 208-240 VAC, 60 Hz	1	A
17	18726	Coil, 208-240 VAC, 50 Hz	1	A
18	N/A	Coil housing	1	A



For the most up-to-date parts information, visit
<https://parts.hennypennyhelp.com>.

Item No.	Part No.	Description	Qty.	Stocking Level
19	N/A	Solenoid bonnet	1	A
20	N/A	Solenoid valve body	1	A
21	N/A	Pipe adapter	1	A
22	N/A	Adapter screw	2	A
24*	79635	Lever connector, 2-wire	1	
Recommended Parts: A = Truck Stock; B = Dist. Stock * = Not Shown				



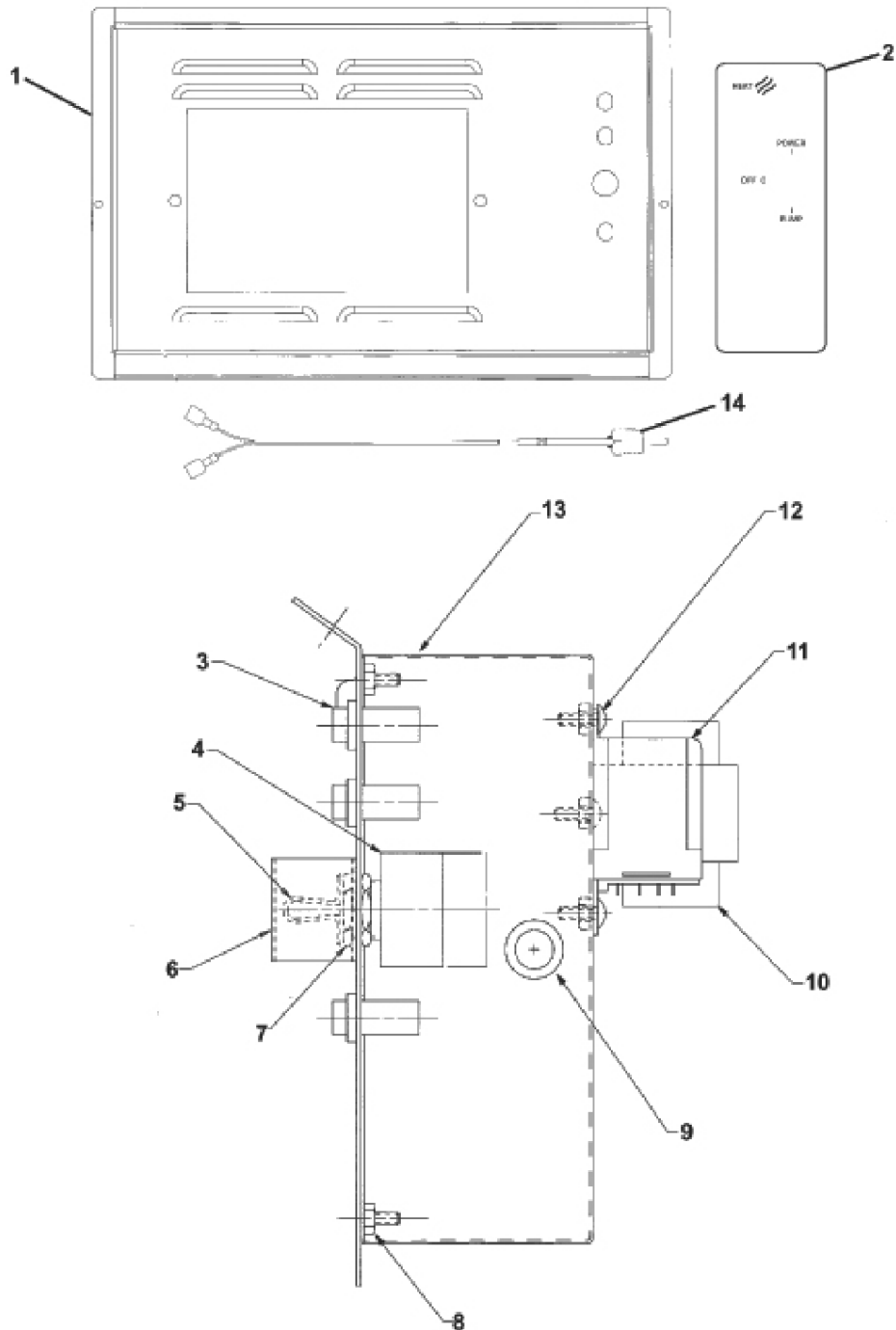
For the most up-to-date parts information, visit
<https://parts.hennypennyhelp.com>.





For the most up-to-date parts information, visit
<https://parts.hennypennyhelp.com>.

Fast Control Parts





For the most up-to-date parts information, visit
<https://parts.hennypennyhelp.com>.



Contact Fast for replacement control assembly.

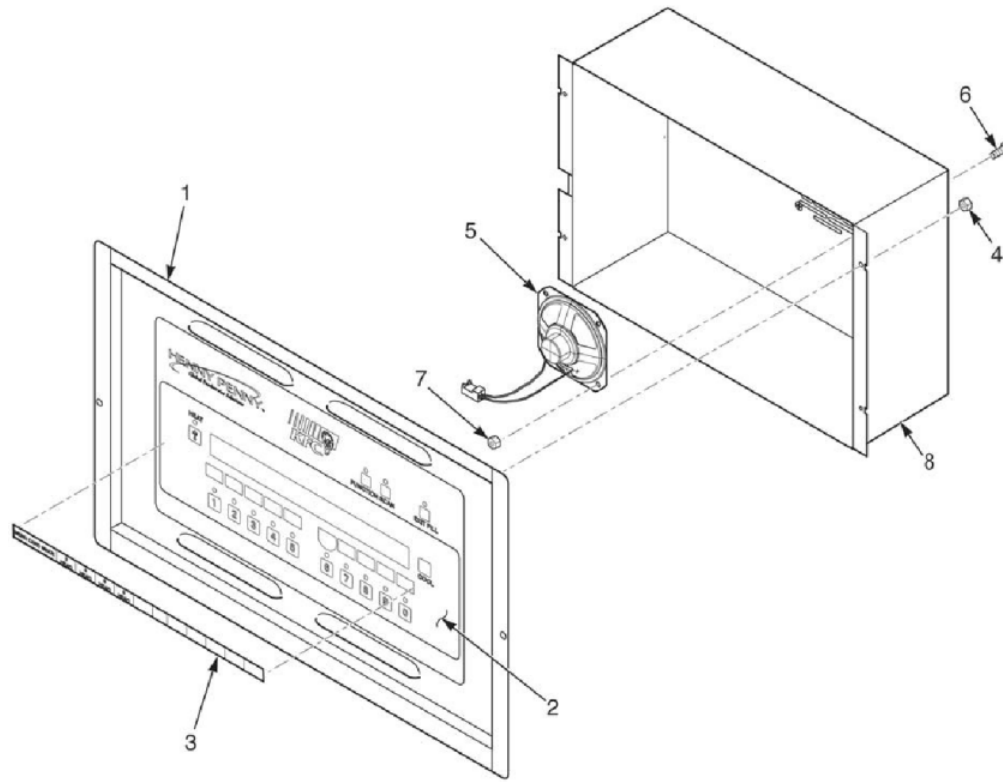
Item No.	Part No.	Description	Qty.	Stocking Level
1	23806	Control panel assembly, CE, 592	1	
1	23805	Stud control assembly, 592	1	
2	51292	Fast control decal	1	
3	54085	Indicator light, CE, green	3	A
3	16624	Indicator light, red	3	A
4	16640	Switch main assembly, 4 PDT	1	A
5	48369	Switch cover	1	
6	18450	Switch fryer guard	1	
7	NS03-018	Jam nut, 3/4-32	2	
8	NS02-007	Hex keps nuts, #8-32, coated	10	
9	EF02-002	Bushing, 33/64 P	1	
10	30614	Transformer, 208/240V PRI-24 VS	1	A
11	30429	Relay, 15A-125VAC, 10A-250VAC	1	A
12	SC01-034	Screw, #8-32 X 3/8, CT, THD, SS	6	
13	29921	Shield box	1	
14	29948	Fast probe assembly, electric	1	A
15*	30428	External thermostat	1	

Recommended Parts: A = Truck Stock; B = Dist. Stock
*** = Not Shown**



For the most up-to-date parts information, visit
<https://parts.hennypennyhelp.com>.

Control Panel Assembly



Item No.	Part No.	Description	Qty.	Stocking Level
1	140387	Conversion kit, 592 to 590 control (UL)		
1	14621	Conversion kit, retro 592 to 590 control (UL)		
1	140251	Conversion kit, 592 to 590 control (UL) 380-415V		
2	97383	SMS 20 decal, KFC	1	
3	92495	Menu card	1	
4	NS02-005	Hex keys nut, #6-32, coated	4	



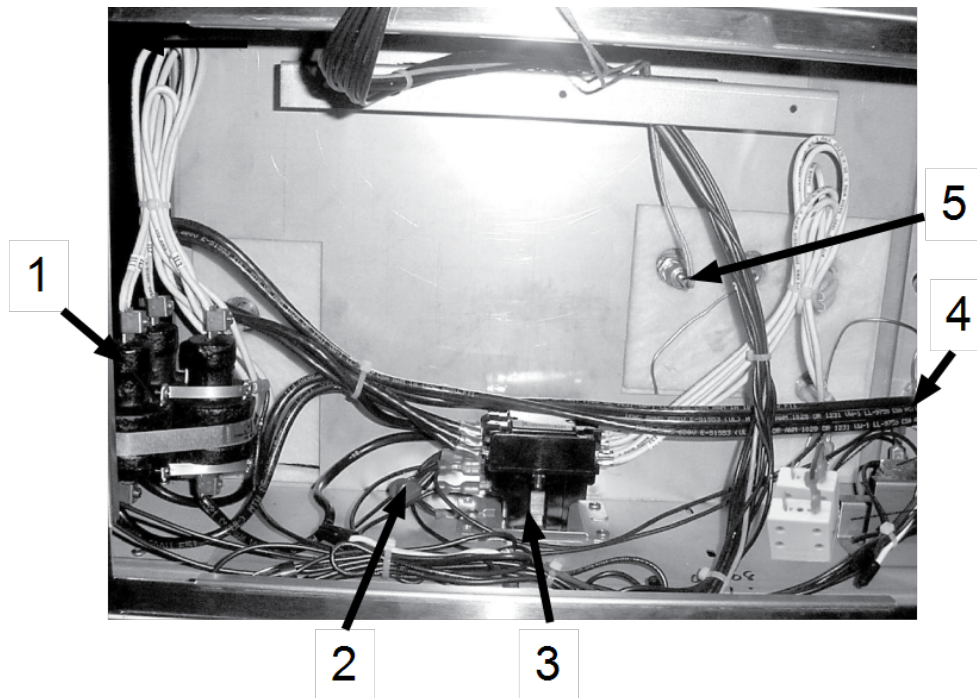
For the most up-to-date parts information, visit
<https://parts.hennypennyhelp.com>.

Item No.	Part No.	Description	Qty.	Stocking Level
5	51877	Speaker and wire assembly	1	A
6	SC01-049	Screw, #6-32 X 3/8, CT, coated	4	
7	NS02-005	Hex keps nut, #6-32, coated	4	
8	72500	Control cover stud assembly	1	
9*	152487	USB port / cable molded assembly	1	
9*	152488	USB cap	1	
Recommended Parts: A = Truck Stock; B = Dist. Stock * = Not Shown				



For the most up-to-date parts information, visit
<https://parts.hennypennyhelp.com>.

Behind Control Panel



Item No.	Part No.	Description	Qty.	Stocking Level
1	29942	Mercury contactor, 208/240 VAC (Before SN: AC0909001)	1	A
1*	65075	E/M heat contactor, 240VAC, Non-CE (SN: AC0909001 & above & All UK units)	1	A
1*	77574	E/M heat contactor, 208VAC, Non-CE (SN: AC0909001 & above & All UK units)	1	A
1*	65074	E/M heat contactor, 220-230VAC, CE (SN: AC0909001 & above)	1	A
2	30971	Resistor capacitor assembly	1	A



For the most up-to-date parts information, visit
<https://parts.hennypennyhelp.com>.

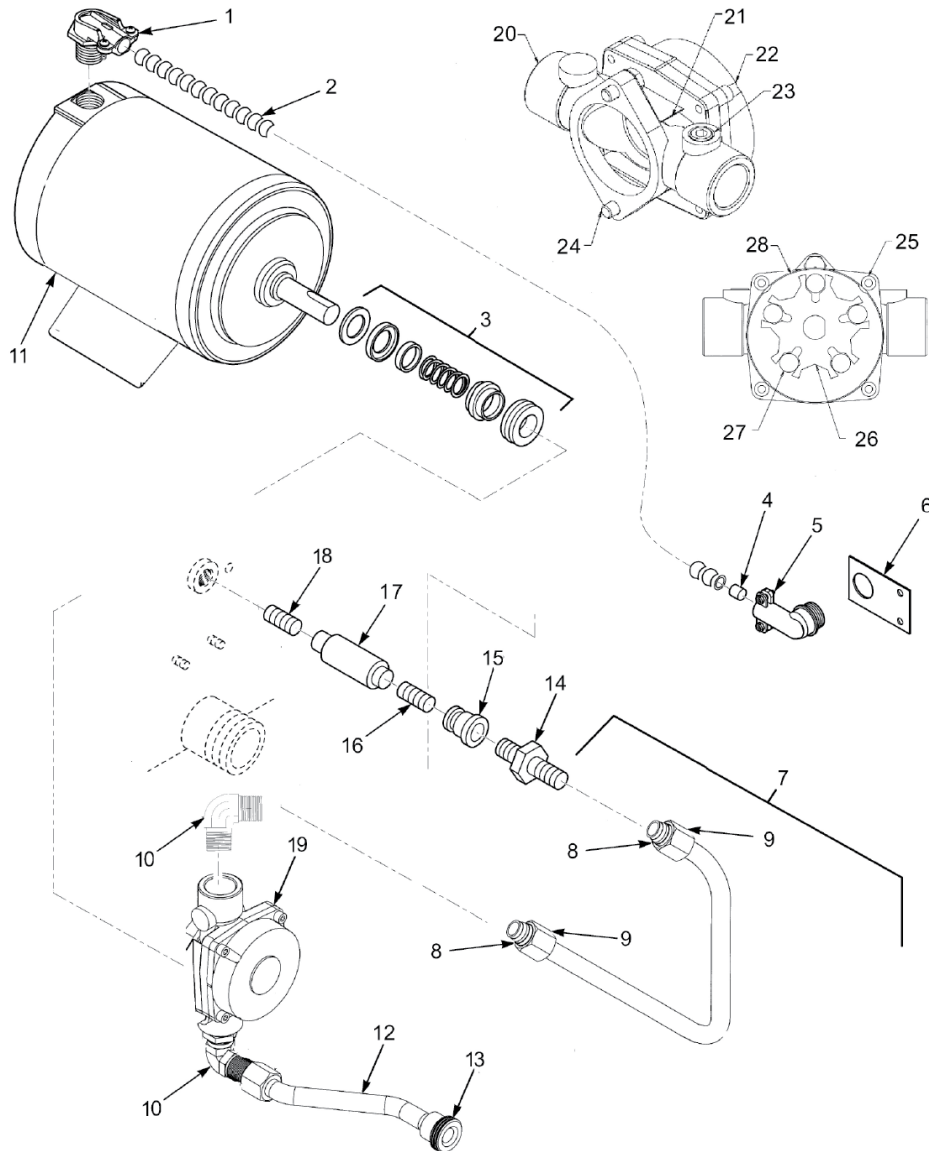
Item No.	Part No.	Description	Qty.	Stocking Level
3	19405	Contact kit, 208/240 VAC	1	A
4	EF02-125	Push button reset breaker, (SN: AC0608031& above- Non-CE units) (10/4/07 and After - CE units)	2	A
4	18364	Fuse holder assembly (SN: AC0608030 & BELOW - Non-CE units)	2	A
4	EF02-006	Fuse holder	2	A
4	EF02-007	Fuse, 15 AMP	2	A
4	EF02-104	Fuse holder, 20A-250VAC, CE (Before 10/4/17)	1	A
4	EF02-105	Fuse, 15 AMP, CE (Before 10/4/17)	1	A
5	14335	SMS temperature probe kit	1	A
5	"Fast Control Parts" on page 26	Fastron temperature probe kit	1	A
6*	72854	Transformer assembly, 208-240/ 24 VAC	1	A

Recommended Parts: A = Truck Stock; B = Dist. Stock
*** = Not Shown**



For the most up-to-date parts information, visit
<https://parts.hennypennyhelp.com>.

Filter Pump Assembly (SN: LG012JC & Below)





For the most up-to-date parts information, visit
<https://parts.hennypennyhelp.com>.

Item No.	Part No.	Description	Qty.	Stocking Level
1	18107	Conduit connector, 3/8 X 90	1	
2	54484	Flexible conduit blower pump	1	
3	17476	Pump seal kit	1	A
4	18105	Anti short, 3/8 inch	2	
5	18644	Conduit connector, 3/8 X 90	1	
6	51831	Pump conduit bracket	1	
7	55836	Oil return line assembly	1	
8	16808	Fitting sleeve	2	
9	16809	Fitting nut	2	
10	17407	Elbow connector, 1/2, male	2	
11	67583	Filter pump motor	1	A
12	14669	Filter pump return line kit	1	
13	69289	Filter union assembly	1	A
14	16807	Fitting connector, male	1	
15	FP01-122	Reducer, 3/8 to 1/2	1	
16	FP02-024	Close nipple, 3/8	1	
17	35472	Pressure check valve	1	A



For the most up-to-date parts information, visit
<https://parts.hennypennyhelp.com>.

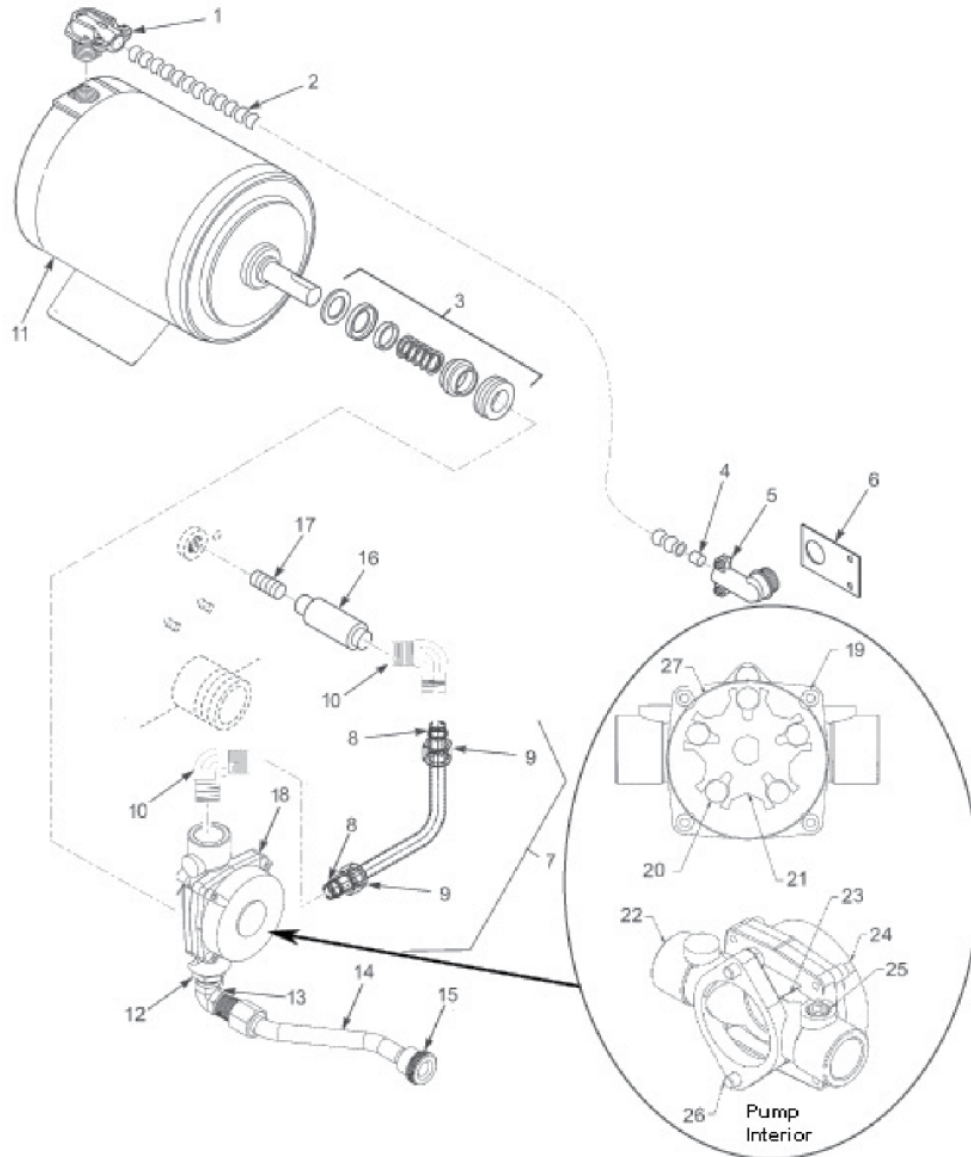
Item No.	Part No.	Description	Qty.	Stocking Level
18	FP02-007	Nipple, 3/8 X 1-1/2	1	
19	171168	5 GPM pump sub-assembly	1	B
20	171168	5 GPM pump sub-assembly	1	B
21		Pump shield and screw not available on Haight pumps		
22	171171	Pump cover	1	A
23	SC01-016	Countersunk hex plug, 1/4	1	A
24		Pump shield and screw not available on Haight pumps		
25	SC01-132	Cap screw, 1/4-20 X 5/8, SOC, HD	4	A
26	171170	Pump rotor	1	A
27	171169	Teflon roller set (set of 5)	1	A
28	162498	Pump gasket o-ring	1	A
29*	N/A	Filter pump and 1/2 HP motor assembly		

Recommended Parts: A = Truck Stock; B = Dist. Stock
*** = Not Shown**



For the most up-to-date parts information, visit <https://parts.hennypennyhelp.com>.

(SN: LG013JC & Above)



Item No.	Part No.	Description	Qty.	Stocking Level
1	18107	Conduit connector, 3/8 X 90	1	



For the most up-to-date parts information, visit
<https://parts.hennypennyhelp.com>.

Item No.	Part No.	Description	Qty.	Stocking Level
2	54484	Flexible conduit blower pump	1	
3	17476	Pump seal kit	1	A
4	18105	Anti short, 3/8 inch	2	
5	18644	Conduit connector, 3/8 X 90	1	
6	51831	Pump conduit bracket	1	
7	66618	Oil return line assembly	1	
8	16808	Fitting sleeve	2	
9	16809	Fitting nut	2	
10	FP01-169	Connection tube, 90 male, 3/4 NPT	2	
11	67583	Filter pump motor	1	A
12	FP01-089	Reducing bushing, 3/4 male tp 1/2 female	1	
13	17407	Elbow connector, 1/2, male	1	
14	62206	Pump to disconnect tube assembly	1	
15	17430 (use 69289)	Fitting union, male	1	
16	21800	Check valve, 3/4	1	A
17	FP02-021	Nipple, 3/4 NPT X 3 inch Large BL	1	



For the most up-to-date parts information, visit
<https://parts.hennypennyhelp.com>.

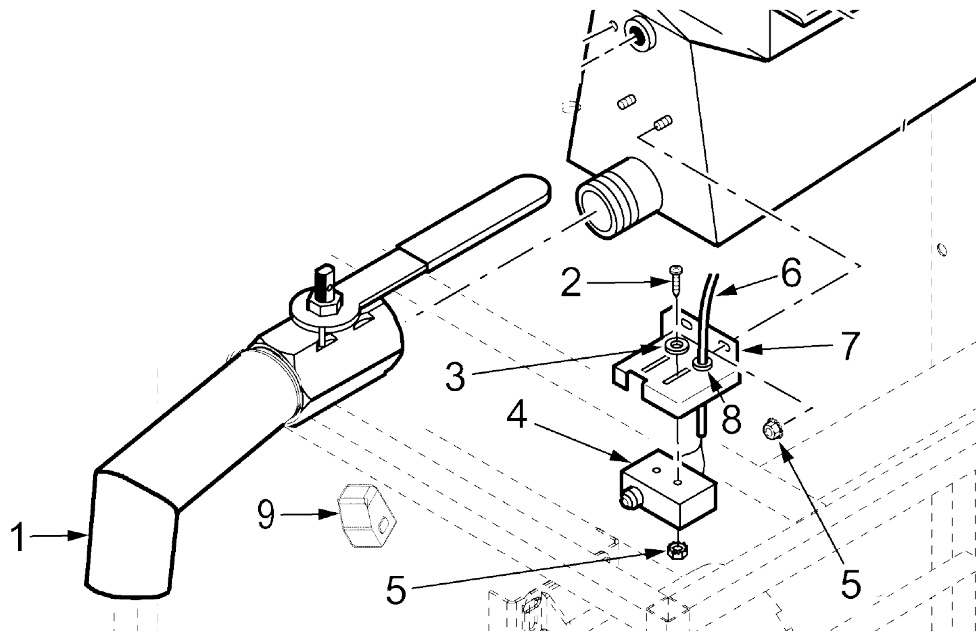
Item No.	Part No.	Description	Qty.	Stocking Level
18	162497	8 GPM pump subassembly	1	B
19	SC01-132	Cap screw, 1/4-20 X 5/8, SOC, HD	4	A
20	162501	Pump roller set, 8 GPM, Haight pump only, set of 5	1	A
21	162500	Pump rotor, Haight pump only	1	A
22	23647	8 GPM pump body	1	A
23		Pump shield and screw not available on Haight pumps		
24		Pump cap not sold separately, order 162497		
25	FP01-020	Hex seal level plug, 1/4-18	1	A
26		Pump shield and screw not available on Haight pumps		
27	162498	Pump gasket o-ring	1	A
28*	N/A	3/4 inch pump and motor assembly		

Recommended Parts: A = Truck Stock; B = Dist. Stock



For the most up-to-date parts information, visit
<https://parts.hennypennyhelp.com>.

Drain Valve and Drain Switch Assembly



Item No.	Part No.	Description	Qty.	Stocking Level
1	65520	Drain valve assembly (SN:LG012JC and below)	1	B
1	66553	Drain valve assembly (SN: LG013JC and above)	1	B
2	SC01-058	Pan screw, #6-32 X 1, CT	1	
3	WA01-006	Washer, #6, type A	2	
4	54228	Drain switch with boot	2	A
5	NS02-005	Hex nut, #6-32	1	
6	52519	Drain interlock cord assembly	2	



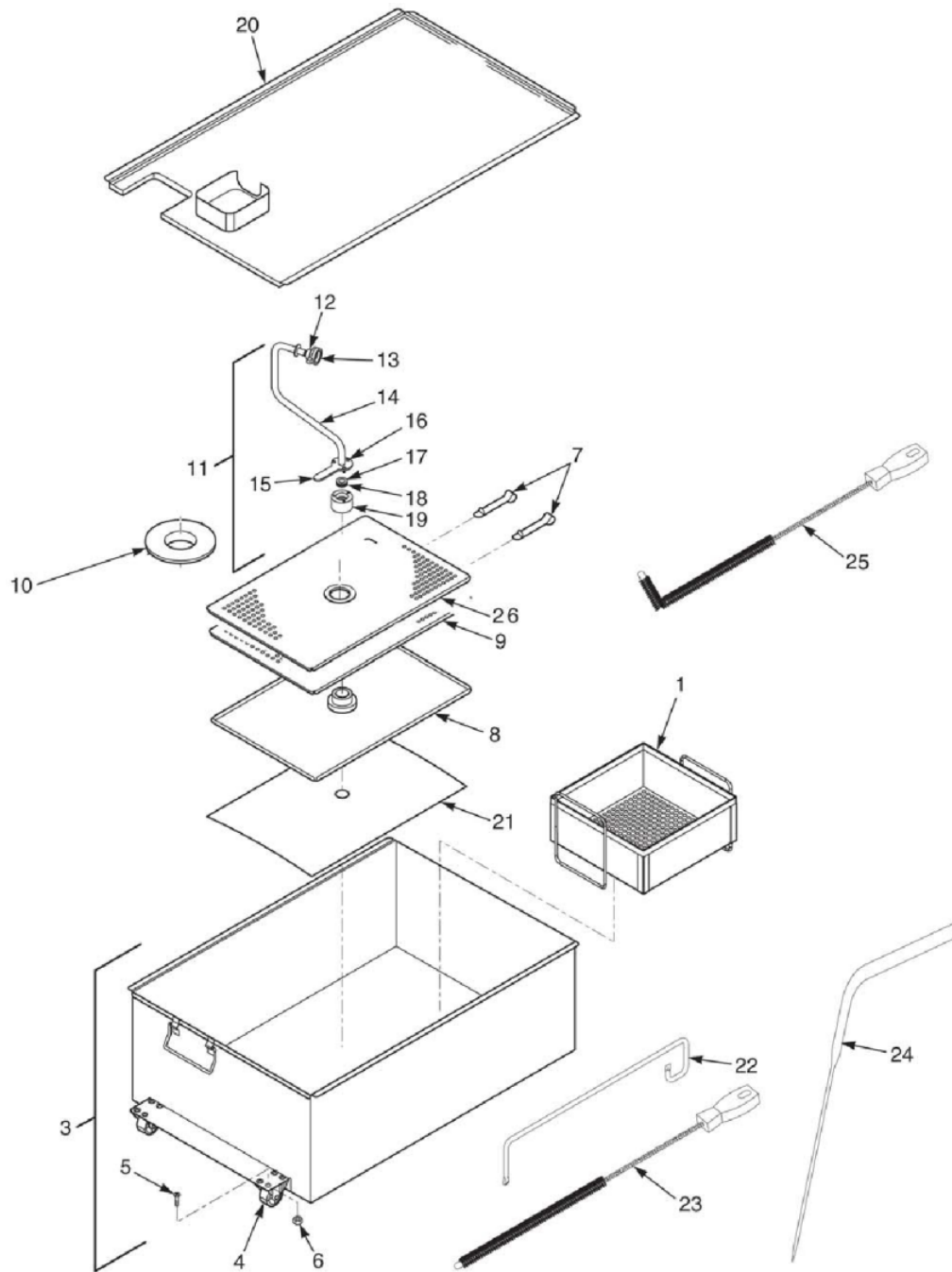
For the most up-to-date parts information, visit
<https://parts.hennypennyhelp.com>.

Item No.	Part No.	Description	Qty.	Stocking Level
7	65522	Switch bracket (SN:AC0404025 and below)	1	
7	67619	Switch bracket (SN:AC0404026 and above)	1	
8	EF02-017	Strain relief	1	
9	67617	Microswitch triggering bracket	1	
10*	76579	Switch cover plate, D/I	1	
Recommended Parts: A = Truck Stock; B = Dist. Stock * = Not Shown				



For the most up-to-date parts information, visit
<https://parts.hennypennyhelp.com>.

Filter Pan and Filter Assembly





For the most up-to-date parts information, visit
<https://parts.hennypennyhelp.com>.

Item No.	Part No.	Description	Qty.	Stocking Level
1	52194	Crumb catcher, optional	1	
2*	03203	Crumb catcher basket with handle, optional (fits inside vat)	1	
2	21471	Crumb catcher basket assembly	1	
2	24491	Crumb basket handle	1	
3	52496	Filter pan assembly	1	
4	52487	Filter pan caster	2	
5	SC01-009	Screw, 1/4-20 X 1/2	8	
6	NS02-002	Nut, 1/4-20	8	
7	17505	Filter screen clips	2	
8	17503 (use 14674)	Bottom filter screen (SN: AC0503055 and below)	1	
8	65447	Bottom filter screen, SS (SN: AC0503056 and above)	1	
9	17502 (use 14674)	Top filter screen (SN: AC0503055 and below)	1	
10	36305	Standpipe washer (use with item 1)	1	
11	24212	Standpipe assembly (SN: AC0503055 and below)	1	
11	14658	Pick-up tube kit (SN AC0503056 and above)	1	
12	17431 (use 69289)	Fitting union, male	1	A



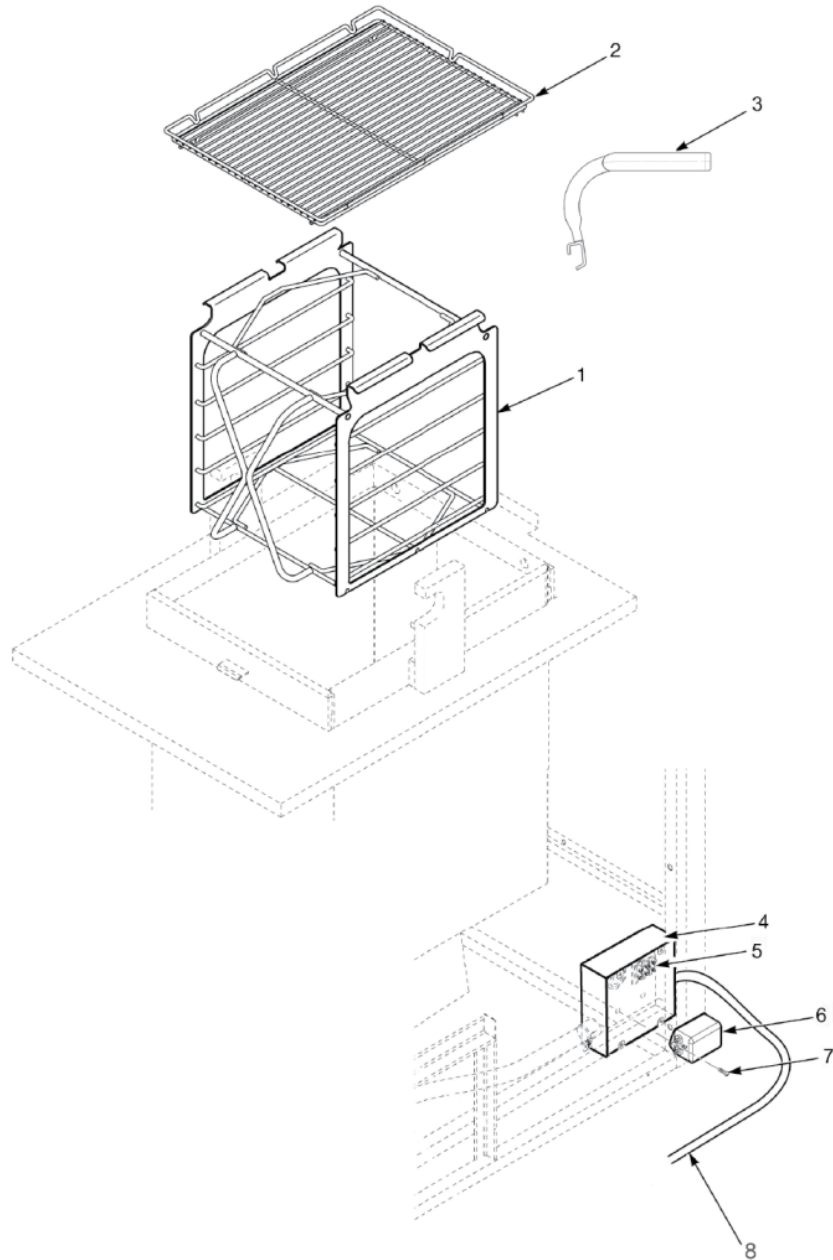
For the most up-to-date parts information, visit
<https://parts.hennypennyhelp.com>.

Item No.	Part No.	Description	Qty.	Stocking Level
13	17432 (use 69289)	Fitting union handle	1	A
14	24211	Filter tube and washer weldment	1	
15	23740	Standpipe handle	1	
16	SC01-245	Screw, 10-32 X 1/2	3	
17	23804	Filter nut insert	1	
18	OR01-007	Filter nut insert o-ring	1	
19	23803	Filter nut (SN: AC0503055 and below)	1	
19	66535	Filter nut (SN AC0503056 and above)	1	
20	62082	Filter pan cover assembly	1	
21	12102	Filter envelope paper (100 per carton)	1	A
21	12087	Filter envelope paper, 13.75 X 19.75 inch (60 per carton)	1	
22	65776	Long clean out rod	1	
23	35771	Straight brush, white	1	A
24	35310	Stirrer	1	
25	12126	L-brush, black	1	A
26	65211	Crumb catcher, SS	1	
27*	14895	Short filter kit, SPCL	1	
Recommended Parts: A = Truck Stock; B = Dist. Stock * = Not Shown				



For the most up-to-date parts information, visit
<https://parts.hennypennyhelp.com>.

Carrier, Racks, and Junction Box Assembly





For the most up-to-date parts information, visit
<https://parts.hennypennyhelp.com>.

Item No.	Part No.	Description	Qty.	Stocking Level
1	35194	Carrier assembly	1	
2	44782	Half size rack	5	
3	35308	Rack handle weldment	1	
4	62126	Junction box assembly	1	
*	-62106	-Junction box	1	
*	-55146	-Terminal block rail	1	
*	-55143	-Terminal block, 12mm	4	
*	-55144	-Terminal block ground, 16mm	1	
*	-40761	-Terminal block end stop	2	
*	-41595	-Terminal block card label	10	
*	-EF02-101	-Conduit connector, 1 inch	1	
*	-SC01-006	-Screw #10-32 X 3/8, PH, PHD	2	
*	-NS02-001	-Hex nut, keps #10-32	2-	
4	62127	Junction box assembly, CE	1	
5	-65427	Terminal block assembly, 5 pole, CE	1	
6	-51057	EMC filter assembly, CE	1	B
7	-SC01-023	Screw, #6-32 X 1/4, coated, CT, RHD	8	
8	65180	Main power cord assembly	1	
8	65181	Power cord, 291/591	1	
9*	58146	Plug, 90, 60A, 3PH, 250VAC, #15-60P	1	



For the most up-to-date parts information, visit
<https://parts.hennypennyhelp.com>.

Item No.	Part No.	Description	Qty.	Stocking Level
10*	37560	Receptacle, #15-60R	1	
11*	36404	Wire basket	A/R	
12*	36374	Basket handle weldment assembly	A/R	
13*	19923	Large transformer, 480VAC	1	
14*	70824	Grounding lug assembly, CE	1	
Recommended Parts: A = Truck Stock; B = Dist. Stock * = Not Shown				



For the most up-to-date parts information, visit
<https://parts.hennypennyhelp.com>.

KFC Pressure Fryer Safety Inspection Tag

Part No.	Inspection Year	Tag Color	Expiring Year
167160-020	2020	Black	2021
167160-021	2021	Red	2022
167160-022	2022	Blue	2023
167160-023	2023	Yellow	2024
167160-024	2024	Green	2025
167160-025	2025	Black	2026
167160-026	2026	Red	2027
167160-027	2027	Blue	2028
167160-028	2028	Yellow	2029
167160-029	2029	Green	2030