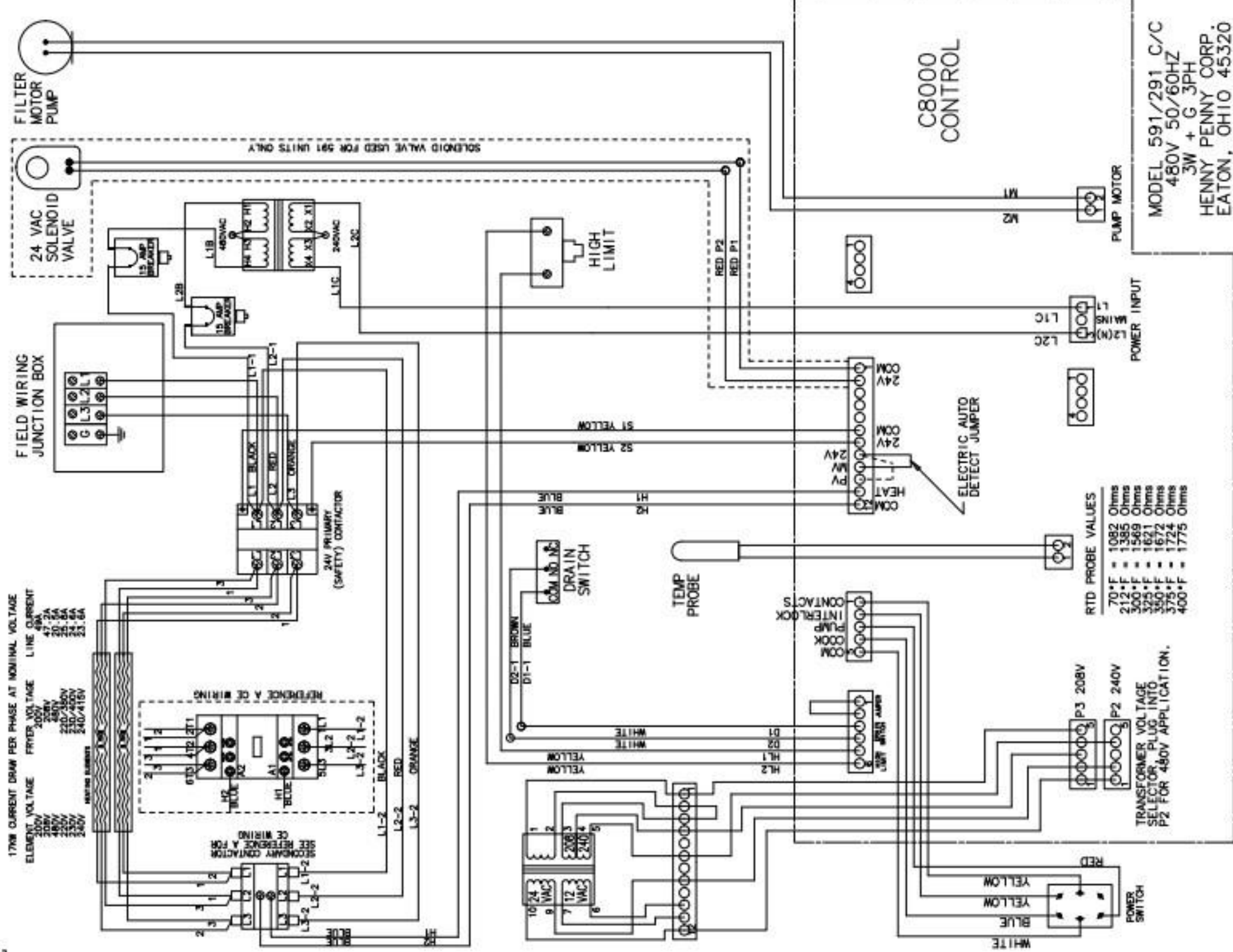


SN: AC0608031 & ABOVE

65250

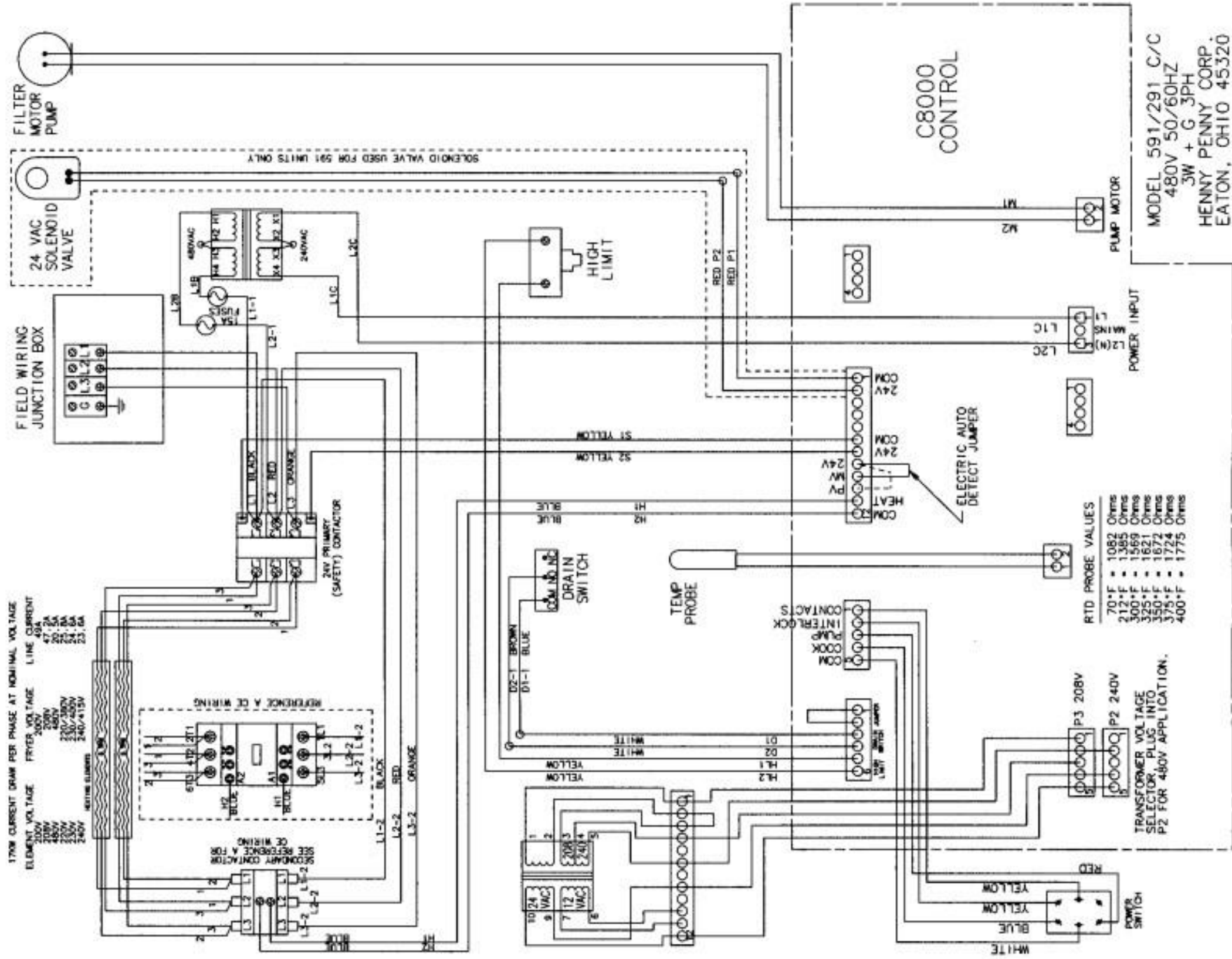
C8000 CONTROL

MODEL 591/291 C/C
380V 400V, 415V
50/60HZ 4W + G 3PH
HENNY PENNY CORP.
EATON, OHIO 45320



C8000 CONTROL

MODEL 591/291 C/C
480V 50/60HZ
3W + G 3PH
HENNY PENNY CORP.
EATON, OHIO 45320



MODEL 591/291 C/C
480V 50/60HZ
3W + G 3PH
HENNY PENNY CORP.
EATON, OHIO 45320

C8000 CONTROL

PUMP MOTOR

POWER INPUT

RTD PROBE VALUES

TRANSFORMER VOLTAGE SELECTOR, PLUG INTO P2 FOR 480V APPLICATION.

SOLENOID VALVE USED FOR 591 UNITS ONLY

ELECTRIC AUTO DETECT JUMPER

HIGH LIMIT

TEMP PROBE

DRAIN SWITCH

24V PRIMARY (SAFETY) CONTACTOR

FIELD WIRING JUNCTION BOX

FILTER MOTOR PUMP

24 VAC SOLENOID VALVE