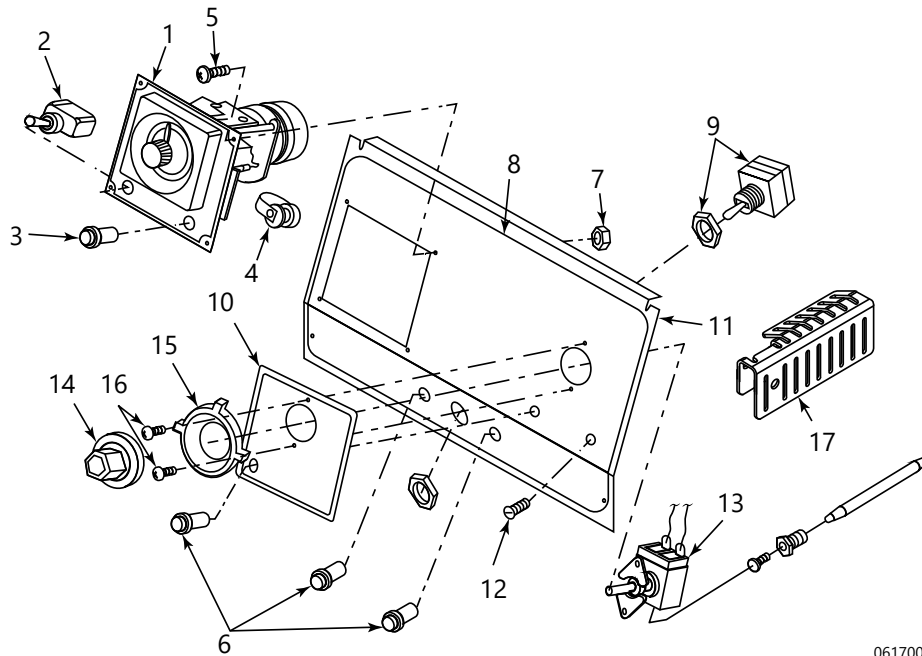




For the most up-to-date parts information, visit
<https://parts.hennypennyhelp.com>.

Electromechanical Control Assembly



06170002

Item No.	Part No.	Description	Qty.	Stocking Level
-	16675	Bent control panel assembly	-	
1	16602	Automatic timer reset assembly - 115v 60Hz	1	
1	N/A	Automatic timer reset assembly - 115v 50Hz	1	
1	N/A	Automatic timer reset assembly - 208/240v 60Hz	-	
1	18304	Automatic timer reset assembly - 208/240v 50Hz	1	



For the most up-to-date parts information, visit
<https://parts.hennypennyhelp.com>.

Item No.	Part No.	Description	Qty.	Stocking Level
1	N/A	Automatic timer reset assembly - 208/240v 50Hz, CE	1	
2	22195	Timer switch	1	
3	16624	Timer indicator light	1	A
4	N/A	Timer buzzer coil - 115V	-	
4	N/A	Timer buzzer coil - 220v	-	
4	N/A	Auxiliary buzzer kit	1	
5	SC01-073	Timer screw	4	
6	16624	Indicator light	3	
6	63609	Temperature light indicator - 48v (Gas)	1	
6	54164	Green indicator light (Gas) (CE & Australia)	3	
7	NS02-009	Timer nut	4	
8	64429	Control decal (before KA020JJ)	1	
8	61571	Control decal, Wendy's	1	
8	61580	Control decal, Pollo Campero(before KA020JJ)	1	
8	61754	Control decal, CE, Pollo Campero(before KA020JJ)	1	
8	61555	Control decal (KA021JJ and after)	1	
8	N/A	Control decal, Pollo Campero(KA021JJ to GA085JB)	-	
8	N/A	Control decal, CE,Pollo Campero (KA021JJ to GA085JB)	-	



For the most up-to-date parts information, visit
<https://parts.hennypennyhelp.com>.

Item No.	Part No.	Description	Qty.	Stocking Level
8	N/A	Control decal, Pollo Campero (GA086JB and after)	-	
8	N/A	Control decal, CE, Pollo Campero (GA086JB and after)	-	
9	16640	Main switch	1	A
*	NS03-018	Main switch nut	2	
10	N/A	Thermostat plate	1	
11	N/A	Control panel assembly (before KA020JJ)	-	
11	N/A	Control panel assembly (KA021JJ to GA085JB)	1	
11	N/A	Control panel assembly (GA086JB and after)	1	
12	SC04-003	Control panel screw	2	
13A	18382	Thermostat, 365°F max, CE	1	
13B	14293	Thermostat control kit	1	B
14	16706	- Thermostat knob	1	
15	16704	- Thermostat bezel	1	
16	SC01-023	- Thermostat screw	2	
17	N/A	- Vat capillary guard assembly (PFE only, see)	1	
18*	32927	Thermostat capillary wrap	1	
Recommended Parts: A = Truck Stock; B = Dist. Stock * = Not Shown				



For the most up-to-date parts information, visit
<https://parts.hennypennyhelp.com>.

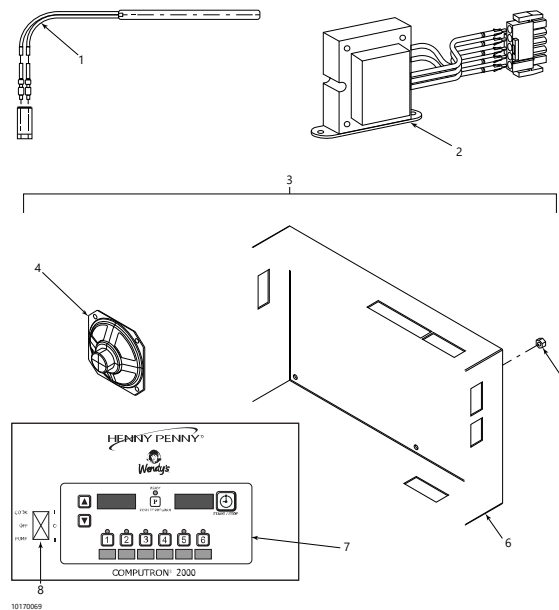
Item No.	Part No.	Description	Qty.	Stocking Level
6	78269	PCB cover	1	
7	80275	C1000 control decal, General Market	1	
8	29898	Power switch	1	A
8*	176400	- Power switch cover, CE	1	
9*	53669	Power switch guard	1	
<p>Recommended Parts: A = Truck Stock; B = Dist. Stock * = Not Shown SSI = Solid State (Electronic) Ignition</p>				



For the most up-to-date parts information, visit
<https://parts.hennypennyhelp.com>.

Computron 2000 Control Assembly

Starting SNs: Gas - AN0801038



Item No.	Part No.	Description	Qty.	Stocking Level
1	14993	Probe assembly, gas, 6 in	1	A
2	60536	Transformer assembly, 24/230VAC	1	A
2	60207	Transformer assembly, 24/120VAC	1	A
3	14958	C2000 control kit, Wendy's	1	B
3	14959	C2000 control kit, Wendy's, Canada	1	B
4	ME70-008	- Speaker, 12 in, 16 ohm	1	A
5	NS02-005	- Hex keps nut, 6-32	11	
6	78269	- PCB cover	1	



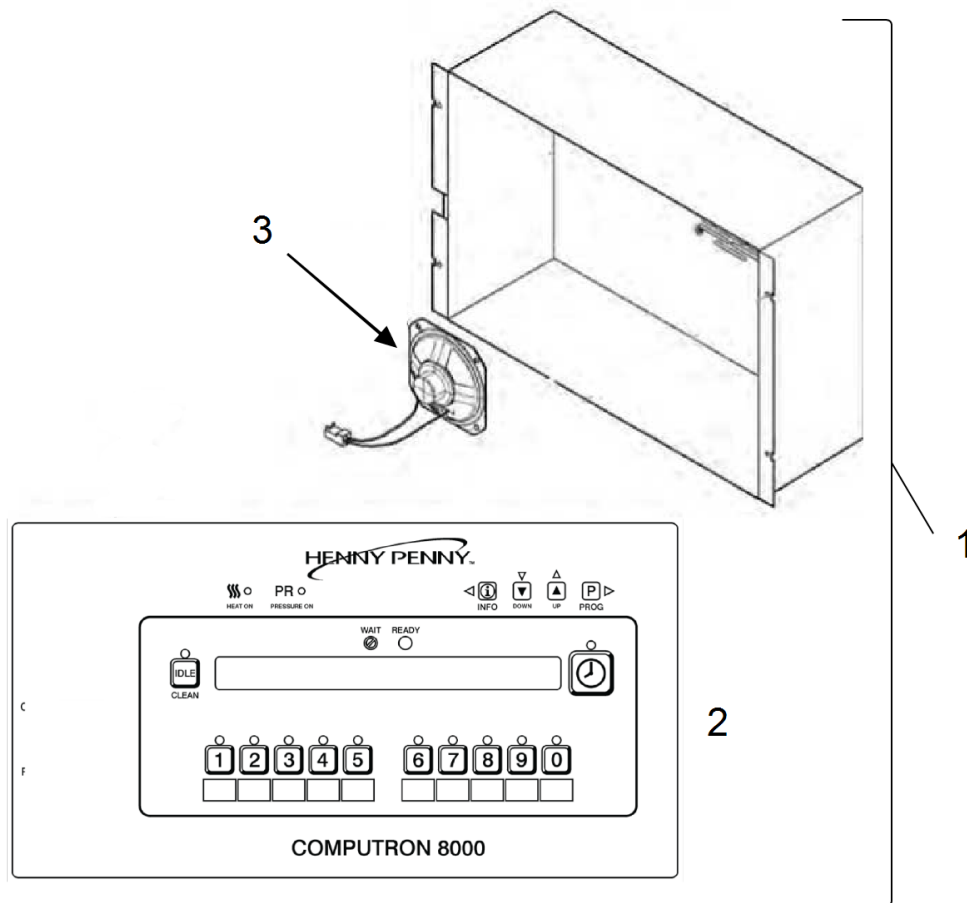
For the most up-to-date parts information, visit
<https://parts.hennypennyhelp.com>.

Item No.	Part No.	Description	Qty.	Stocking Level
7	72123	- C2000 decal, Wendy's	1	
7	78962	- C2000 decal, Wendy's (French Canadian/English)	1	
8	29898	- Power switch	1	A
8*	176400	-- Power switch cover, CE	1	
9*	53669	- Power switch guard	1	
10*	75820	- C2000 menu card, Wendy's	1	
11*	14896	600 E/M to C2000 Wendy's retrofit kit	1	
11*	14934	600 E/M to C2000 Wendy's retrofit kit (French Canadian/English)	1	
Recommended Parts: A = Truck Stock; B = Dist. Stock * = Not Shown				



For the most up-to-date parts information, visit <https://parts.hennypennyhelp.com>.

Computron 8000 Control Panel



Item No.	Part No.	Description	Qty.	Stocking Level
		General Market		



For the most up-to-date parts information, visit
<https://parts.hennypennyhelp.com>.

Item No.	Part No.	Description	Qty.	Stocking Level
1	164945	Computron 8000 control, 10 buttons, General Market, bent panel PFE 500/561 SN: KB020JJ and below PFG 600 without FPS SN: KA020JJ and below	1	B
1	164944	Computron 8000 control, 10 buttons, General Market, flat panel PFE 500/561 SN: KB021JJ to HB013JB PFG 600 without FPS SN: KA021JJ to GA085JB	1	B
1	164946	Computron 8000 control, 10 buttons, General Market, flat panel PFE 500/561 SN: HB014JB and above PFG 600 without FPS SN: GA086JB and above	1	B
1	71180	PFG 600 Computron 8000 control, 10 buttons, General Market, FPS, flat panel PFG 600 with FPS SN: KA021JJ to GA085JB	1	
1	164970	PFG 600 Computron 8000 control, 10 buttons, General Market, FPS, flat panel PFG 600 with FPS SN: GA086JB and above	1	
1	14405	600 E/M 120v to C8000 Retrofit kit, Flat Panel	1	
1	14406	600 E/M 120v to C8000 Retrofit kit, Bent Panel	1	
		Wendy's		



For the most up-to-date parts information, visit
<https://parts.hennypennyhelp.com>.

Item No.	Part No.	Description	Qty.	Stocking Level
1	164951	Computron 8000 control, 10 buttons, Wendy's, flat panel PFE 500 SN: HB014JB and above PFG 600 without FPS SN: GA086JB and above	1	
1	68683	PFG 600 Computron 8000 control, 10 buttons, Wendy's, FPS, bent panel PFG 600 with FPS SN: KA020JJ and below	1	
1	164967	PFG 600 Computron 8000 control, 10 buttons, Wendy's, FPS, flat panel PFG 600 with FPS SN: GA086JB and above	1	B
		Jollibee		
1	164952	Computron 8000 control, 10 buttons, Jollibee, bent panel PFE 500/561 SN: KB020JJ and below PFG 600 without FPS SN: KA020JJ and below	1	
1	164953	Computron 8000 control, 10 buttons, Jollibee, flat panel PFE 500/561 SN: KB021JJ to HB013JB PFG 600 without FPS SN: KA021JJ to GA085JB	1	
1	164954	Computron 8000 control, 10 buttons, Jollibee, flat panel PFE 500/561 SN: HB014JB and above PFG 600 without FPS SN: GA086JB and above	1	B



For the most up-to-date parts information, visit
<https://parts.hennypennyhelp.com>.

Item No.	Part No.	Description	Qty.	Stocking Level
		Pollo Campero		
1	164958	Computron 8000 control, 10 buttons, Pollo Campero, bent panel PFE 500/561 SN: KB020JJ and below PFG 600 without FPS SN: KA020JJ and below	1	
1	164959	Computron 8000 control, 10 buttons, Pollo Campero, flat panel PFE 500/561 SN: KB021JJ to HB013JB PFG 600 without FPS SN: KA021JJ to GA085JB	1	
1	164960	Computron 8000 control, 10 buttons, Pollo Campero, flat panel PFE 500/561 SN: HB014JB and above PFG 600 without FPS SN: GA086JB and above	1	B
		Servequip		
1	164962	Computron 8000 control, 10 buttons, Servequip, bent panel PFE 500/561 SN: KB020JJ and below PFG 600 without FPS SN: KA020JJ and below	1	
1	164963	Computron 8000 control, 10 buttons, Servequip, flat panel PFE 500/561 SN: KB021JJ to HB013JB PFG 600 without FPS SN: KA021JJ to GA085JB	1	



For the most up-to-date parts information, visit
<https://parts.hennypennyhelp.com>.

Item No.	Part No.	Description	Qty.	Stocking Level
1	164961	Computron 8000 control, 10 buttons, Servequip, flat panel PFE 500/561 SN: HB014JB and above PFG 600 without FPS SN: GA086JB and above	1	B
		Computron 8000 control, flat panel, design only PFE 500/561 SN: HB014JB and above PFG 600 without FPS SN: GA086JB and above		
1	164977	Computron 8000 control, 6 buttons, Al Baik/Express Foods Foods	1	B
1	176907	Computron 8000 control, 10 buttons, Bob Evans	1	
1	164973	Computron 8000 control, 10 buttons, Royal Farms, flat panel	1	
		General Market Conversion kits, Computron 7000 to Computron 8000 control		
1	14410	PFG 600 Conversion kit, Computron 7000 to 8000 control, 10 buttons, 120 VAC, GM, bent panel PFG 600 without FPS SN: KA020JJ and below	1	



For the most up-to-date parts information, visit
<https://parts.hennypennyhelp.com>.

Item No.	Part No.	Description	Qty.	Stocking Level
1	14444	PFG 600 Conversion kit, Computron 7000 to 8000 control, 10 buttons, 240 VAC, GM, bent panel PFG 600 without FPS SN: KA020Jj and below	1	
1	14409	PFG 600 Conversion kit, Computron 7000 to 8000 control, 10 buttons, 120 VAC, GM, flat panel PFG 600 without FPS SN: KA021Jj to GA085JB	1	
1	14445	PFG 600 Conversion kit, Computron 7000 to 8000 control, 10 buttons, 240 VAC, GM, flat panel PFG 600 without FPS SN: KA021Jj to GA085JB	1	
2	27308	- Computron 8000 decal, 10 buttons, General Market, Jollibee, Pollo Campero, Servequip, bent panel PFE 500/561 SN: KB020Jj and below PFG 600 SN: KA020Jj and below	1	
2	24849	- Computron 8000 decal, 10 buttons, General Market, Jollibee, Pollo Campero, Servequip, flat panel PFE 500/561 SN: KB021Jj to HB013JB PFG 600 SN: KA021Jj to GA085JB	1	



For the most up-to-date parts information, visit
<https://parts.hennypennyhelp.com>.

Item No.	Part No.	Description	Qty.	Stocking Level
2	32658	- Computron 8000 decal, 10 buttons, General Market, Jollibee, Pollo Campero, Servequip, Bob Evans, flat panel PFE 500/561 SN: HB014JB and above PFG 600 SN: GA086JB and above	1	
2	39269	- Computron 8000 decal, 10 button, Wendy's, PFE 500/561, PFG 600: All serial numbers	1	
2	32825	- Computron 8000 decal, 6 buttons, Al Baik/Express Foods	1	
3	26974	- Speaker assembly	1	A
4*	32633	- Computron 8000 menu card, 10 buttons, standard	1	
4*	32634	- Computron 8000 menu card, 10 buttons, blank	1	
4*	68382	- Computron 8000 menu card, Wendy's	1	
4*	39089	- Computron 8000 menu card, Jollibee	1	
4*	69229	- Computron 8000 menu card, Pollo Campero	1	
4*	65157	- Computron 8000 menu card, Servequip	1	
4*	39168	- Computron 8000 menu card, 6 buttons, Al Baik/Express Foods, blank	1	
5*	29898	Power switch	1	A
6*	ME90-011	Pump motor relay, 24 VAC	1	A
Recommended Parts: A = Truck Stock; B = Dist. Stock				



For the most up-to-date parts information, visit
<https://parts.hennypennyhelp.com>.

Upgrade Kits

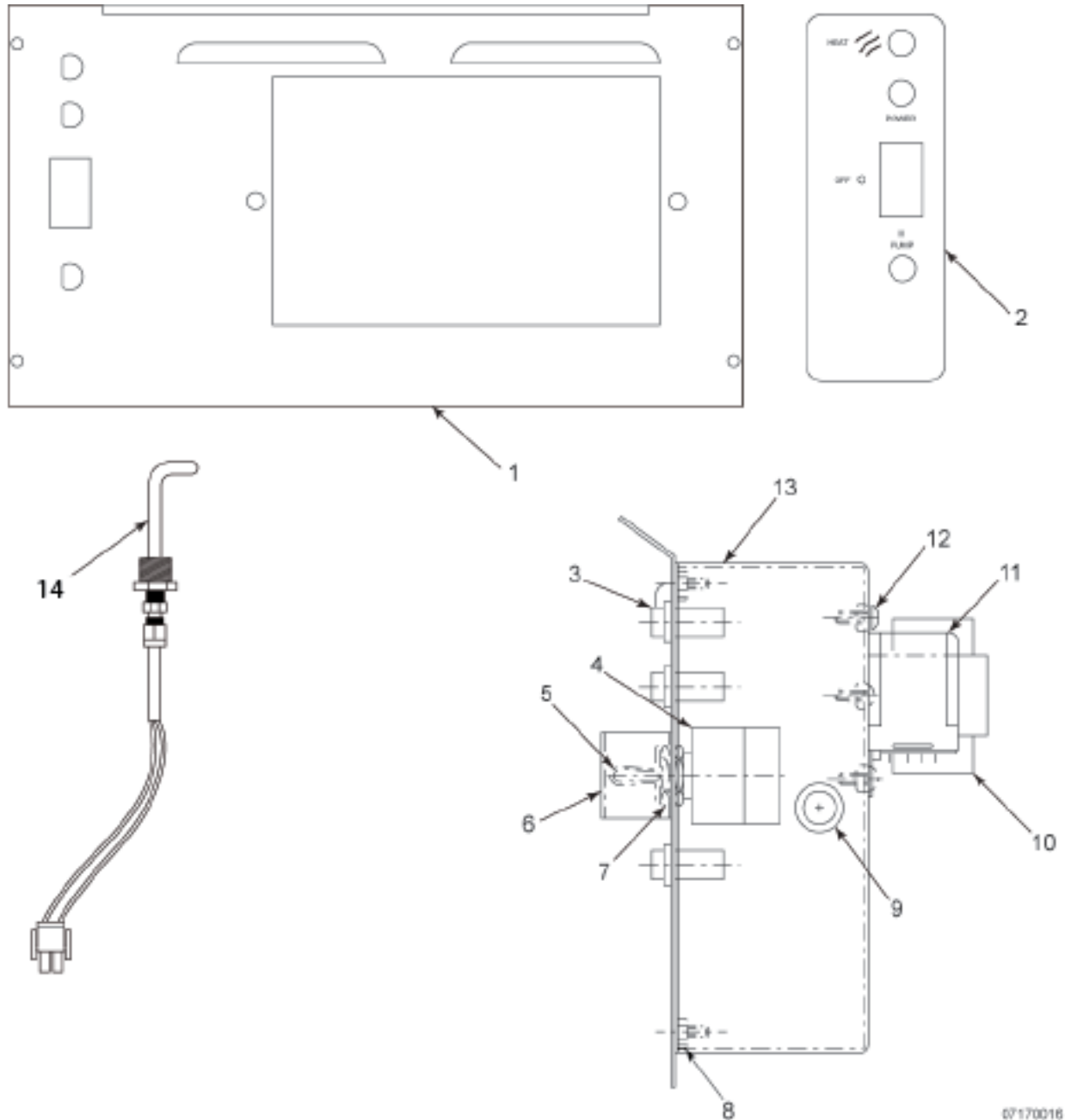
The kits below are for upgrading from the description to a C8000 control.

Item No.	Part No.	Description	Qty.	Stocking Level
	14405	Flat electro-mechanical 120VAC, 60 Hz control		
	14406	Angled electro-mechanical 120VAC, 60 Hz control		
	14409	Flat Computron 7000 control		
	14410	Angled Computron 7000 control		
	140013	Computron 1000 120VAC SSI or Computron 2000		
	140014	Computron 1000 230VAC SSI or Computron 2000		



For the most up-to-date parts information, visit
<https://parts.hennypennyhelp.com>.

Fast Control Parts



07170016



For the most up-to-date parts information, visit
<https://parts.hennypennyhelp.com>.



Contact Fast for replacement control assembly.

Item No.	Part No.	Description	Qty.	Stocking Level
1	63751	FAST control panel, 120 VAC (KA021Jj to GA085JB)	1	
-	140246	FAST control kit	1	
-	63224	FAST control panel, 240 VAC (KA021Jj to GA085JB)	1	
1	63225	FAST control panel, (KA021Jj to GA085JB)	1	
1	27472	FAST control panel, 120 VAC (GA086JB and after)	1	
1	27423	FAST control panel, 240 VAC (GA086JB and after)	1	
1	27424	FAST control panel (GA086JB and after)	1	
2	61722	- FAST control decal (KA021Jj and after)	1	
3	54085	- Indicator light, green, CE	3	
3	16624	- Indicator light, red	3	
4	16640	- Main power switch assembly (before KA020Jj)	1	A
4	29898	- Main power switch assembly (KA021Jj and after)	1	A
4*	176400	-- Switch cover, CE	1	
5	48369	- Switch cover, CE	1	
6	18450	- Switch guard	1	



For the most up-to-date parts information, visit
<https://parts.hennypennyhelp.com>.

Item No.	Part No.	Description	Qty.	Stocking Level
7	NS03-018	- Jam nut, 3/4-32	2	
8	NS02-005	- Hex keps nut, #6-32, coated	10	
9	EF02-002	- Bushing, 33/64 P	1	
10	30614	- Transformer, 208/240 VAC PRI-24 VS	1	A
10	35916	- Transformer, 120 VAC, 50/60 Hz	1	A
11	30429	- Coil relay, 24V, 15A@120 VAC, 10A@240 VAC (shown)	1	A
11*	60818	- Coil relay, 24V, 10A@120 VAC, 12A@240VAC	1	A
12	SC01-049	- Screw, #6-32 X 3/8, CT, coated	6	
13	29921	- Box shield (before KA020JJ)	1	
13	63336	- FAST control panel cover (KA021JJ and after)	1	
14	29383	FAST probe assembly, electric	1	A
14	29948	Temperature probe	1	A
15*	30428	External thermostat	1	

Recommended Parts: A = Truck Stock; B = Dist. Stock
*** = Not Shown**

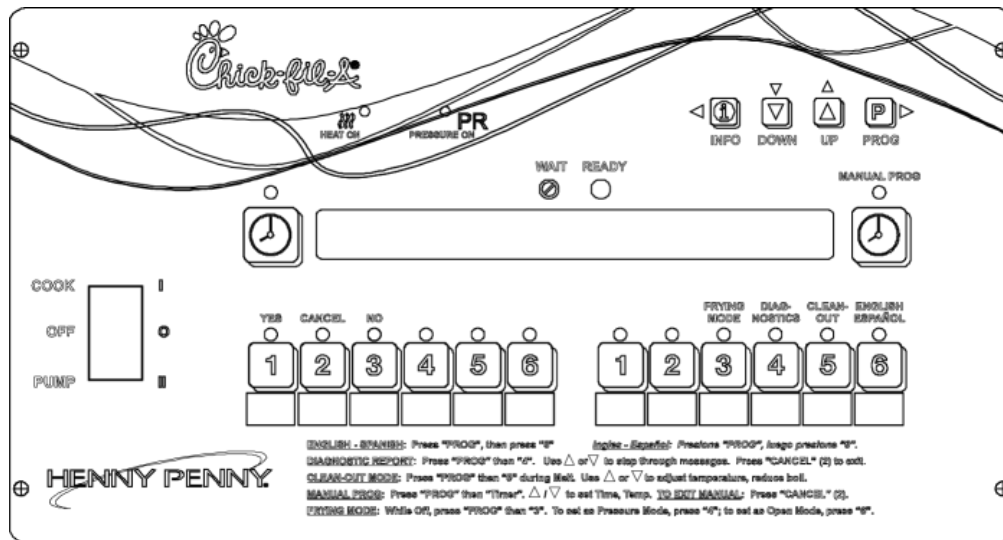


For the most up-to-date parts information, visit
<https://parts.hennypennyhelp.com>.

Chick-fil-A Hybrid Control Panel Assembly

Not Available - Serial Number KB020Jj and Below (Bent Panel)

Available - Serial Number KB021Jj and Above (Flat Panel)



Item No.	Part No.	Description	Qty.	Stocking Level
1	140706	CFA Hybrid Control kit (PFG 600) - (First time upgrade from CFA original control to CFA hybrid control - order mounting kit 171005 as well)	1	B
2	168300	- CFA Hybrid Control decal	1	B
3	29898	- Cook pump switch	1	A
4	171094	- Menu card	1	
5	26974	- Speaker assembly	1	A
6*	ME90-011	- Relay coil (DPST), 24v AC	1	A



For the most up-to-date parts information, visit
<https://parts.hennypennyhelp.com>.

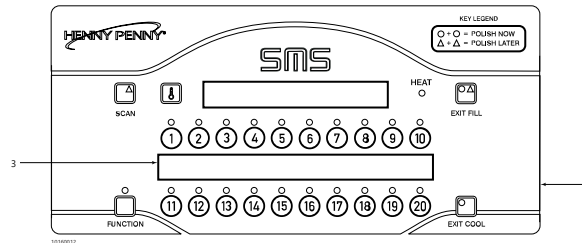
Item No.	Part No.	Description	Qty.	Stocking Level
7*	53669	- Power switch guard	1	
8*	140701	Wi-Fi kit (Technical Service approval required) (only use if upgrading to Wi-Fi)	1	
9*	171005	Bracket mounting kit, hybrid control	A/R	
Recommended Parts: A = Truck Stock; B = Dist. Stock * = Not Shown				



For the most up-to-date parts information, visit
<https://parts.hennypennyhelp.com>.

SMS 20 Control Assembly

KFC SMS-20 Control



The SMS control has been replaced by the SMS-20 control. The SMS control is no longer orderable. The SMS kits have been updated to include to the SMS-20. The kit numbers are the same except the SMS has been replaced by the SMS-20 and any additional hardware needed to install the SMS-20, see the following tables when ordering a replacement SMS-20 control.

Item No.	Part No.	Description	Qty.	Stocking Level
1	171991	SMS 20 control, 120VAC	1	B
1	171992	SMS 20 control, 220-240VAC	1	B
1	171993	SMS 20 control, 230VAC	1	B
1	97952	SMS 20 control (Japan)	1	B
2	97501	- SMS 20 decal, KFC	1	
3	97984	- Menu card, KFC	1	
4*	152487	- USB port/cable	1	
5*	152488	- USB cap	1	
6*	51877	- Speaker assembly	1	A



For the most up-to-date parts information, visit
<https://parts.hennypennyhelp.com>.

Item No.	Part No.	Description	Qty.	Stocking Level
7*	14807	SMS-20 retrofit kit w/ zigbee radio, KFC (before KA020J) (100/120/208/230v 50/60Hz 1 PH)	1	
7*	14811	SMS-20 retrofit kit w/ zigbee radio, KFC (KA021J to BA026JA) (100/120/208/230v 50/60Hz 1 PH)	1	
7*	14815	SMS-20 retrofit kit w/ zigbee radio , KFC (BA027JA to GA085JB) (100/120/208/230v 50/60Hz 1 PH)	1	
7*	14837	SMS-20 conversion kit, KFC, CE (before KA020J) (WD 29895) (100v 50/60Hz 1 PH)	1	
7 *	14838	SMS-20 conversion kit,KFC, CE (before KA020J) (WD 63748) (120v 50/60Hz 1 PH) (CE)	1	
7*	14839	SMS-20 conversion kit,KFC, CE (before KA020J) (WD 29900) (208/240v 50/60Hz 1 PH) (CE)	1	
7*	14840	SMS-20 conversion kitKFC, CE (before KA020J) (WD 34809) (230v 50Hz 1 PH)	1	
7*	14841	SMS-20 conversion kitKFC, CE (KA021J to BA026JA) (WD 29895) (100v 50/60Hz 1 PH)	1	
7*	14842	SMS-20 conversion kitKFC, CE (KA021J to BA026JA) (WD 63748) (120v 50/60Hz 1 PH)	1	
7*	14843	SMS-20 conversion kit (KFC) (KA021J to BA026JA) (WD 29900) (208/240v 50/60Hz 1 PH) (CE)	1	



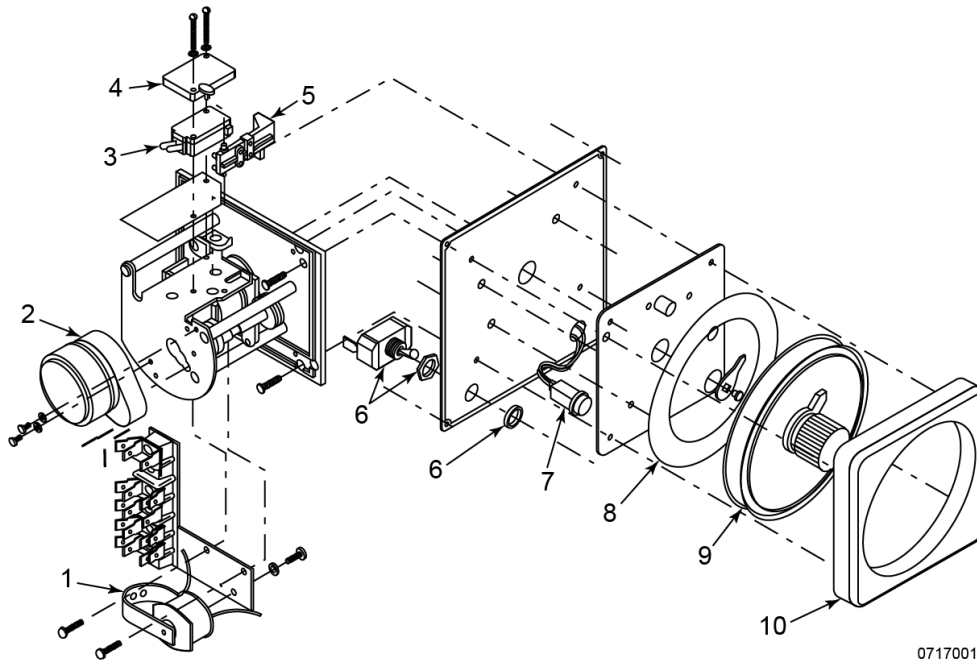
For the most up-to-date parts information, visit
<https://parts.hennypennyhelp.com>.

Item No.	Part No.	Description	Qty.	Stocking Level
7*	14844	SMS-20 conversion kitKFC, CE (KA021JJ to BA026JA) (WD 34809) (230v 50Hz 1 PH)	1	
7*	14845	SMS-20 conversion kitKFC, CE(BA026JA to GA085JB) (WD 29895) (100v 50/60Hz 1 PH)	1	
7*	14846	SMS-20 conversion kitKFC, CE (BA026JA to GA085JB) (WD 63748) (120v 50/60Hz 1 PH)	1	
7*	14847	SMS-20 conversion kitKFC, CE (BA026JA to GA085JB) (WD 29900) (208/240v 50/60Hz 1 PH)	1	
7*	14848	SMS-20 conversion kitKFC, CE (BA026JA to GA085JB) (WD 34809) (230v 50Hz 1 PH)	1	
7*	14908	FAST to SMS-20 conversion kit, Japan	1	
* = Not Shown				



For the most up-to-date parts information, visit
<https://parts.hennypennyhelp.com>.

Automatic Reset Timer Assembly



07170015

Item No.	Part No.	Description	Qty.	Stocking Level
1	16659	Buzzer coil assembly, 120VAC	1	
1	18302	Buzzer coil assembly, 208/240VAC	1	
2	N/A	Timer motor, 120VAC	1	
2	N/A	Timer motor, 208/240VAC	1	
3	16671	Timer microswitch	1	
4	N/A	Microswitch mounting plate	1	
5	N/A	Microswitch actuator arm	1	
6	22195	On/off switch (includes nut)	1	A



For the most up-to-date parts information, visit
<https://parts.hennypennyhelp.com>.

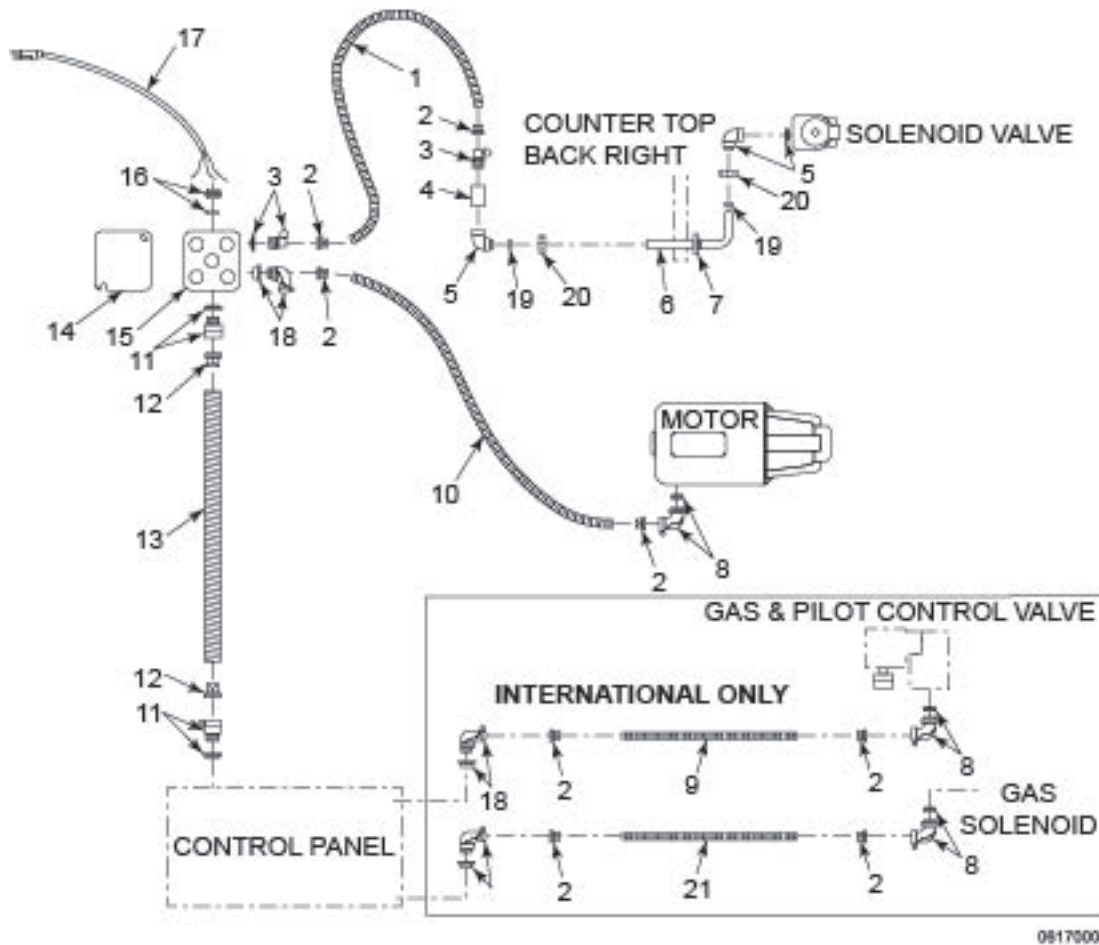
Item No.	Part No.	Description	Qty.	Stocking Level
7	16624	Indicator light	1	A
9	16371	Knob and pointer assembly	1	
10	16657	Bezel	1	

Recommended Parts: A = Truck Stock; B = Dist. Stock



For the most up-to-date parts information, visit <https://parts.hennypennyhelp.com>.

Electric Conduit Assembly



Item No.	Part No.	Description	Qty.	Stocking Level
1	18527	Flexible conduit	1	
2	18105	Anti short bushing	8	
3	18111	Conduit connector	2	
4	FP01-018	Pipe coupling	1	



For the most up-to-date parts information, visit
<https://parts.hennypennyhelp.com>.

Item No.	Part No.	Description	Qty.	Stocking Level
5	18113	Conduit connector - 90	2	
6	59218	Conduit solenoid tube	1	
7	16804	Umbrella grommet	1	
8	18107	Conduit connector - 90	1	
9	17221	Flexible conduit	1	
9	33866	Flexible conduit , CE & Australia	1	
10	30291	Flexible conduit	1	
11	18104	Conduit connector	2	
12	18108	Anti short bushing	2	
13	33628	Flexible conduit	1	
14	18101	Junction box cover	1	
15	18102	Junction box	1	
15	54965	Junction box w/ cover - splash proof - (CE & Australia)	1	
16	18103	Power cord connector	1	
17	152411-006	Power cord w/ grounded plug, gas	1	C
17	34823	Power cord, gas, CE & Australia	1	C
18	18644	Conduit connector	1	
19	16817	Teflon sleeve	2	
20	16809	Fitting nut	2	
21	44814	Flexible conduit	1	



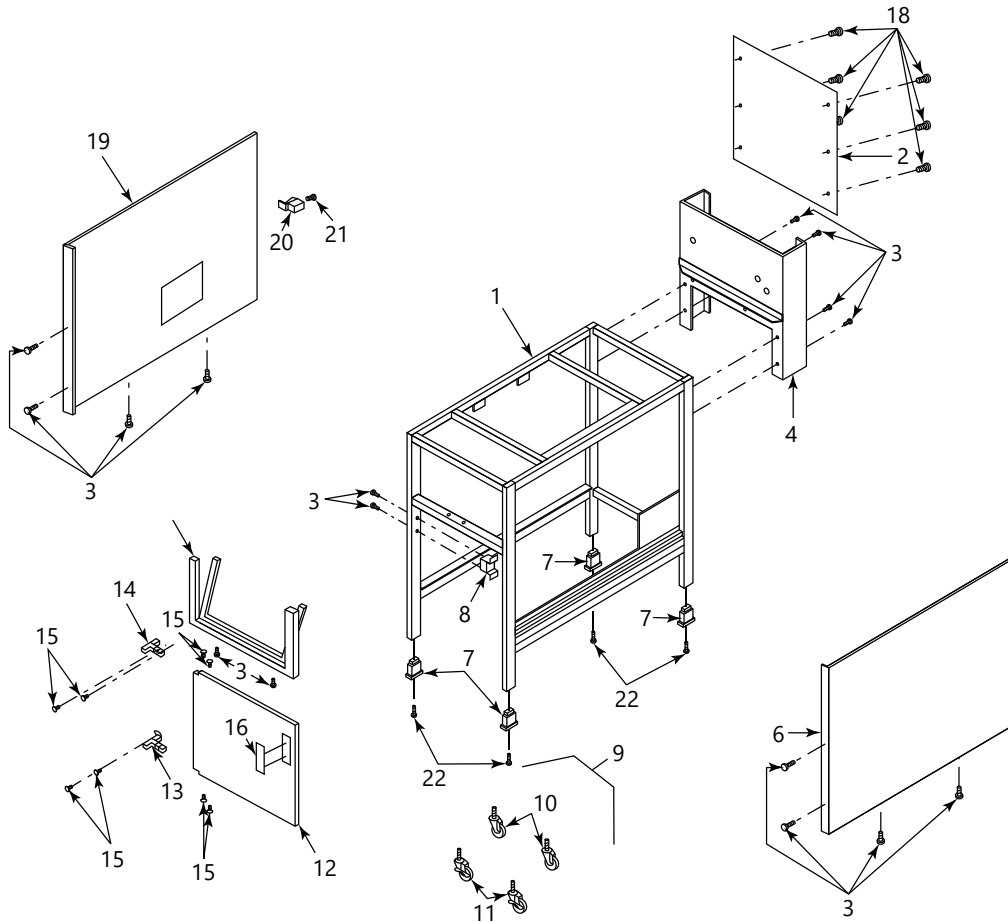
For the most up-to-date parts information, visit
<https://parts.hennypennyhelp.com>.

Item No.	Part No.	Description	Qty.	Stocking Level
22*	51390	ENC filter assembly, CE & Australia	1	
Recommended Parts: A = Truck Stock; B = Dist. Stock * = Not Shown				



For the most up-to-date parts information, visit
<https://parts.hennypennyhelp.com>.

Frame and Cabinet Assembly



06170041

Item No.	Part No.	Description	Qty.	Stocking Level
1	N/A	Frame not available		
2	17346	Back shroud cover (before KA020JJ)	1	
2	64255	Back shroud cover (KA021JJ to GA085JB)	1	
2	24534	Back shroud cover (GA086JB and after)	1	



For the most up-to-date parts information, visit
<https://parts.hennypennyhelp.com>.

Item No.	Part No.	Description	Qty.	Stocking Level
3	SC03-005	Panels and brackets sheet metal screw	22	
4	16840	Shroud assembly (before KA020Jj) Shroud assembly	1	
4	67900	Shroud assembly (KA020Jj to AN1411014)	1	
4	154672	Shroud assembly (AN1411015 and after)	1	
4	172942	Shroud assembly - Pressure assist	1	
5	59730	Right side insulation	2	
5	59732	Side panel insulation (CE)	2	
6	17606	Right side panel (before KA020Jj)	1	
6	56972	Right side panel (KA021Jj and after)	1	
6	24255	Right side panel (KA021Jj and after) (CE and Australia)	1	
7	54225	Leg insert 1 in. x 1 in. (10/2/2000 and after)	4	
7	17612	Leg insert 1 in. x 1-1/2 in. (Before 10/2/2000)	4	
8	59230	Magnetic catch bracket	1	
8	17002	Magnet	1	
9	03007	Caster assembly	1	C
10	17630	- Caster w/o brake	2	C
11	17629	- Caster w/ brake	2	C
10	151564	Swivel stem castor, red, 3 in	2	



For the most up-to-date parts information, visit
<https://parts.hennypennyhelp.com>.

Item No.	Part No.	Description	Qty.	Stocking Level
11	151563	Swivel stem castor, red, 3 in	5	
12	17639	Door assembly (KA020JJ and before)	1	
12	58849	Door assembly (KA021JJ and after)	1	
13	17620	- Bottom door hinge	1	
14	17618	- Top door hinge	1	
15	SC01-234	- Door hinge screw, 8-32 (door to frame)	4	
15	NS03-050	- Door hinge nutsert		
16	41836	- Door handle	1	
17	17602	Front panel (before KA020JJ)	1	
17	56974	Front panel (KA021JJ to GA085JB)	1	
17	83195	Front panel (GA086JB and after)	1	
18	SC04-003	Back shroud screw	6	
19	17604	Left side panel (before KA020JJ)	1	
19	56973	Left side panel (KA021JJ and after)	1	
19	24254	Left side panel (KA021JJ and after) (CE and Australia)	1	
20	17627	Grounding lug	1	
21	17611	Grounding lug screw	1	
22	SC01-067	Hex screw, 5/8-18 x 3-1/4 in, black, adjust legs	4	
23*	NS03-050	Cad plated hinge nutsert, 8-32, steel	4	
24*	03156	Tether kit	A/R	



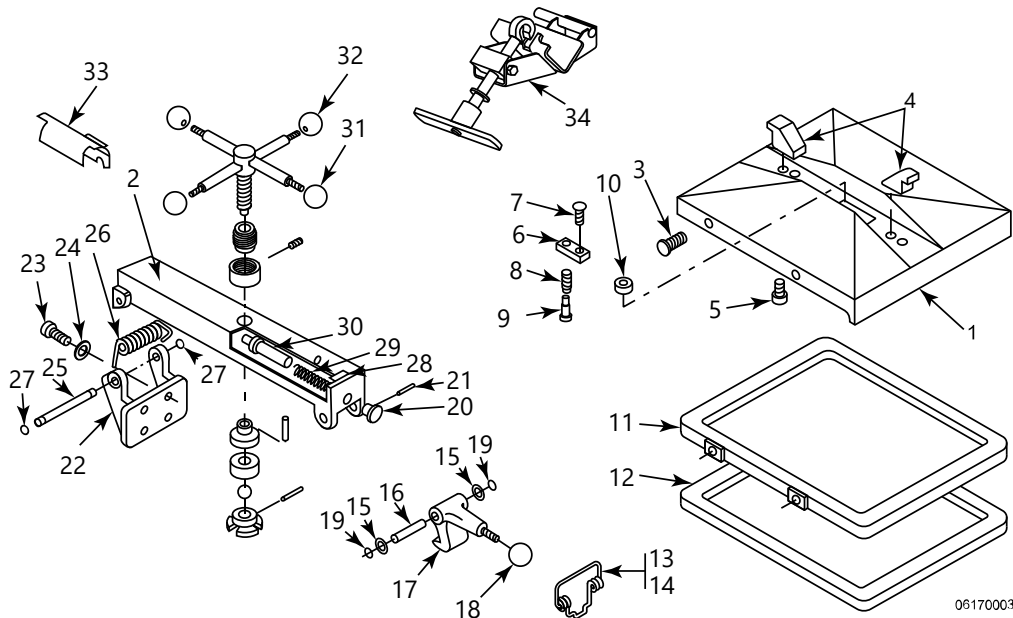
For the most up-to-date parts information, visit
<https://parts.hennypennyhelp.com>.

Item No.	Part No.	Description	Qty.	Stocking Level
25*	SC01-072	Screw, #6-32 X 5/16, PA, HD (hinge to door)	4	
	12199	Oil test kit	A/R	
<p>Recommended Parts: A = Truck Stock; B = Dist. Stock A/R = As Required * = Not Shown</p>				



For the most up-to-date parts information, visit
<https://parts.hennypennyhelp.com>.

Lid Assembly



Item No.	Part No.	Description	Qty.	Stocking Level
1	182530-XXX	Lid with crossarm service pack(see Complete Lid with Crossbar Assembly)	1	C
2	182528-XXX	- Crossarm service pack (see Complete Lid with Crossbar Assembly)	n/a	
3	SC01-083	- Lid cover screw	4	
4	16133	- Cover Retaining hook	2	
5	SC06-027	- Retaining hook screw	4	
6	16166	- Retainer	1	
7	SC06-010	- Retaining hook screw (allen head)	1	
8	16165	- Return spring	1	



For the most up-to-date parts information, visit
<https://parts.hennypennyhelp.com>.

Item No.	Part No.	Description	Qty.	Stocking Level
9	16164	- Locking pin	1	
10	16163	- Seat ball	1	
11	16119	- Inner lid liner (use on units built before 03/01)	1	
11	63729	- Inner lid liner (use on units built on or after 03/01 or with a lid replacement after 03/01)	1	
12	16120	- Reversible gasket, inner lid liner	1	A
13	16199	Latch spring kit	1	A
14	33480	- Spring	1	A
15	16198	- Spacer	2	
16	16197	- Latch pin	1	
17	16116	Lid latch	1	
18	16102	Latch knob	1	
*	16126	Latch stud	1	
19	16121	Tru-Arc latch ring	2	
20	16137	Retaining pin knob	1	
21	16138	Knob roll pin	1	
22	16112	Lid hinge assembly	1	
23	SC01-081	- Lid hinge screw	4	
24	LW01-010	- Lid hinge locking washer	4	
25	16110	- Lid hinge pin	1	B



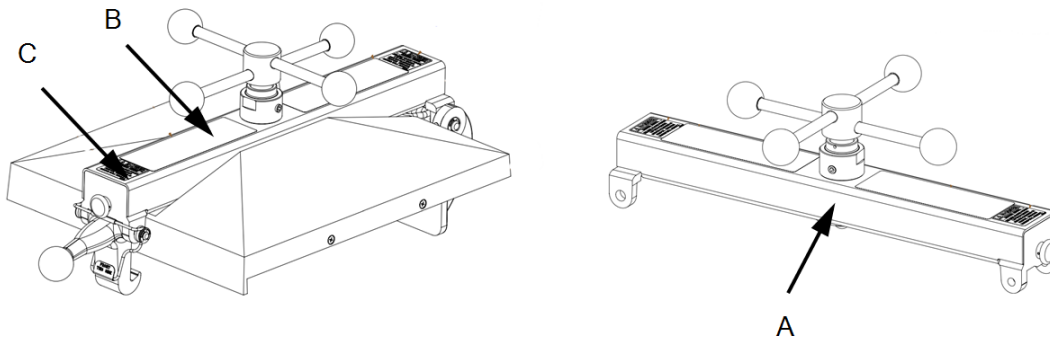
For the most up-to-date parts information, visit
<https://parts.hennypennyhelp.com>.

Item No.	Part No.	Description	Qty.	Stocking Level
26	186381	Lid hinge spring	1	A
27	16111	Tru-Arc hinge retainer ring	2	
28	36099	Danger decal	1	
29	16136	Retaining pin spring	1	
30	16135	Retaining pin cover	1	
31	16102	Spindle knob (Red)	1	
32	16101	Spindle knob (Black)	3	
33	29587	Spring cover	1	
34	14960	Spring loading tool kit	1	
35*	162410	Latch catch gauge	1	
Recommended Parts: A = Truck Stock; B = Dist. Stock * = Not Shown				



For the most up-to-date parts information, visit
<https://parts.hennypennyhelp.com>.

Complete Lid with Crossarm Assembly



Language Labels	Lid and Cross-arm Service Pack (left image)	Crossarm Only Service Pack (A)	Lid Operation Label (B)	Danger Label (C)
English (Non-CE / Non-PED)	182530-101	182528-101	16181	36099
English/French (Non-CE / Non-PED)	182530-102	182528-102	16181 & 70920	70919
English/Spanish (Non-CE / Non-PED)	182530-103	182528-103	16181 & 48666	44884
Simplified Chinese (Non-CE / Non-PED)	182530-104	182528-104	77422	77429
Portuguese labels (Non-CE / Non-PED)	182530-105	182528-105	61563	61255
Spanish labels (Non-CE / Non-PED)	182530-106	182528-106	48666	44884
Russian labels (Non-	182530-107	182528-107	97562	97565



For the most up-to-date parts information, visit
<https://parts.hennypennyhelp.com>.

Language Labels	Lid and Cross-arm Service Pack (left image)	Crossarm Only Service Pack (A)	Lid Operation Label (B)	Danger Label (C)
CE / Non-PED)				
French labels (Non-CE / Non-PED)	182530-108	182528-108	48694	44885
Arabic label (Non-CE / Non-PED)	182530-109	182528-109	96901	96902
English labels (CE/PED)	182530-201	182528-201	16181	36099
Bulgarian label (CE/PED)	182530-203	182528-203	93682	93674
Croatian labels (CE/PED)	182530-204	182528-204	95067	95068
Czech labels (CE/PED)	182530-205	182528-205	68279	68271
Danish labels (CE/PED)	182530-206	182528-206	61044	61033
Dutch labels (CE/PED)	182530-207	182528-207	61072	61067
Estonian labels (CE/PED)	182530-208	182528-208	67781	67778
Finnish labels (CE/PED)	182530-209	182528-209	61567	61289
French labels (CE/PED)	182530-210	182528-210	48694	44885
German labels	182530-211	182528-211	18643	34477



For the most up-to-date parts information, visit
<https://parts.hennypennyhelp.com>.

Language Labels	Lid and Cross-arm Service Pack (left image)	Crossarm Only Service Pack (A)	Lid Operation Label (B)	Danger Label (C)
(CE/PED)				
Greek labels (CE/PED)	182530-212	182528-212	61564	61396
Hungarian label (CE/PED)	182530-213	182528-213	70536	97196
Italian labels (CE/PED)	182530-214	182528-214	61565	61362
Latvian labels (CE/PED)	182530-215	182528-215	68468	68470
Lithuanian label (CE/PED)	182530-216	182528-216	68280	68272
Norwegian label (CE/PED)	182530-217	182528-217	67745	67742
Polish labels (CE/PED)	182530-218	182528-218	46994	86487
Portuguese labels (CE/PED)	182530-219	182528-219	61563	61255
Slovak labels (CE/PED)	182530-221	182528-221	74003	97197
Spanish labels (CE/PED)	182530-222	182528-222	48666	44884
Swedish label (CE/PED)	182530-223	182528-223	61566	61322
Romanian label	182530-224	182528-224	172166	172174



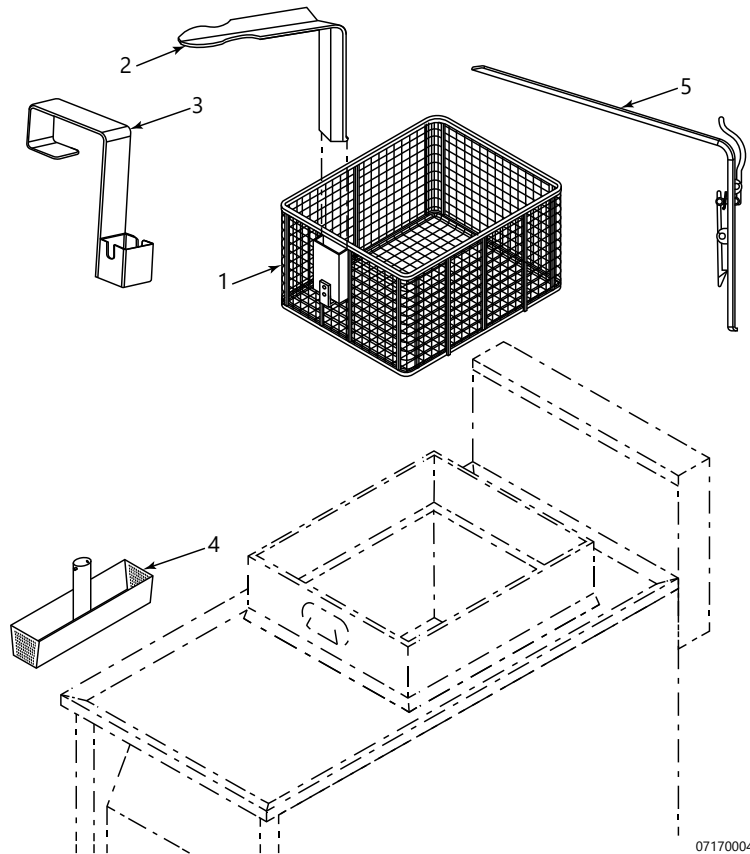
For the most up-to-date parts information, visit
<https://parts.hennypennyhelp.com>.

Language Labels	Lid and Cross-arm Service Pack (left image)	Crossarm Only Service Pack (A)	Lid Operation Label (B)	Danger Label (C)
(CE/PED)				



For the most up-to-date parts information, visit
<https://parts.hennypennyhelp.com>.

Fry Basket Assembly



07170004

Item No.	Part No.	Description	Qty.	Stocking Level
1	17801	Basket w/o legs, gas	1	
1	64058	Stainless steel basket	1	
-	19536	-Pivot rod	1	
-	PN01-001	-Cotter pin	1	
2	165801	Basket handle, CFA	1	



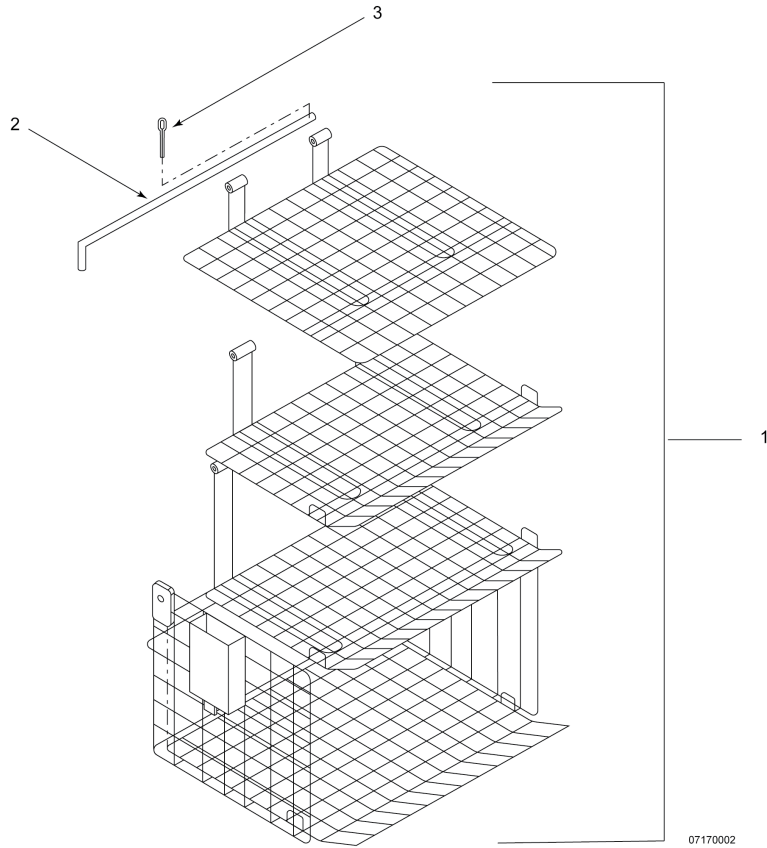
For the most up-to-date parts information, visit
<https://parts.hennypennyhelp.com>.

Item No.	Part No.	Description	Qty.	Stocking Level
2	19502	Basket handle	1	
3	24438	Crumb basket handle assembly	1	
4	03397	Crumb pan/tube assembly w/ handle	1	
5	64071	Locking handle assembly	1	
6*	64067	Locking basket (Includes item 1 and 6)	A/R	
7*	19545	Big bird basket, KFC	1	
<p>Recommended Parts: A = Truck Stock; B = Dist. Stock A/R = As Required * = Not Shown</p>				



For the most up-to-date parts information, visit
<https://parts.hennypennyhelp.com>.

Tier Wire Basket Assembly

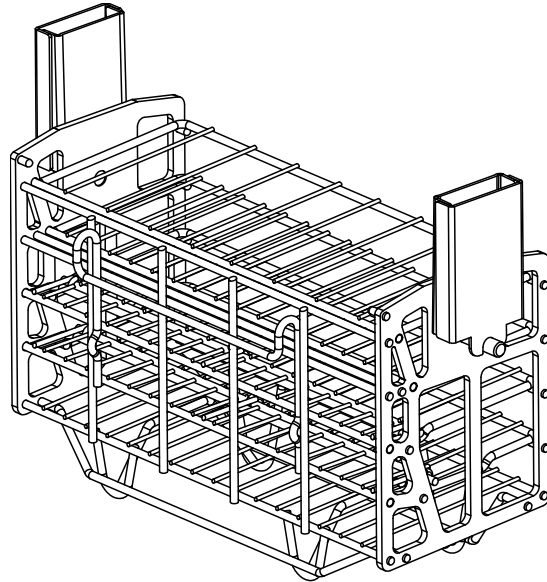


Item No.	Part No.	Description	Qty.	Stocking Level
1	64058	Stainless steel basket, 3 layer	1	
Recommended Parts: A = Truck Stock; B = Dist. Stock * = Not Shown				



For the most up-to-date parts information, visit
<https://parts.hennypennyhelp.com>.

Chick-Fil-A Double-Hinged Basket Assembly

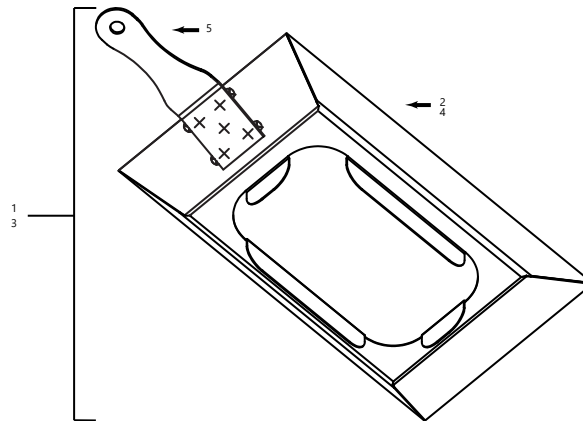


Item No.	Part No.	Description	Qty.	Stocking Level
1	170969	Tiered double-hinged basket	1	



For the most up-to-date parts information, visit
<https://parts.hennypennyhelp.com>.

Chick-fil-A Half-quarter Size Funnel Assembly

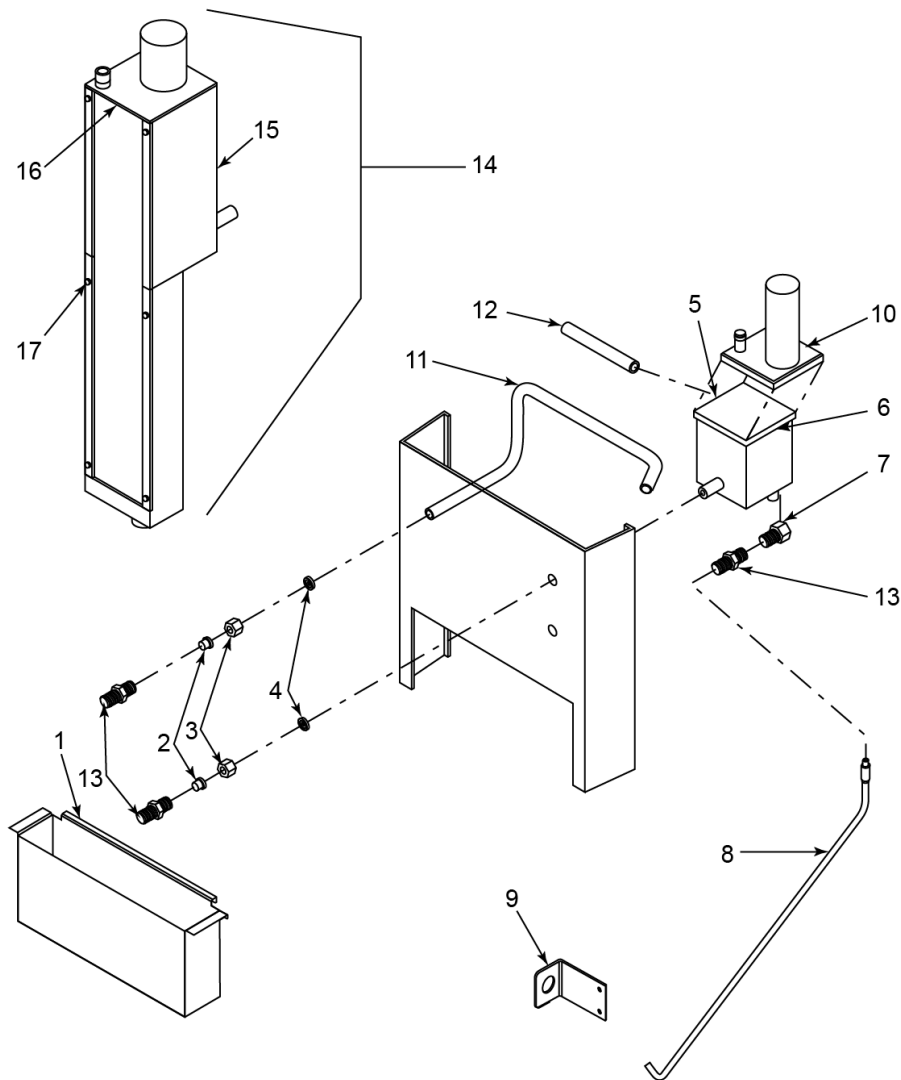


Item No.	Part No.	Description	Qty.	Stocking Level
1	168347	Funnel half size narrow assembly, Chick-fil-A	1	
2	168348	- Funnel half size narrow, Chick-fil-A	1	
3	168351	Funnel quarter size assembly, Chick-fil-A	1	
4	168352	- Funnel quarter size, Chick-fil-A	1	
5	162234	Funnel handle, Chick-fil-A	1	



For the most up-to-date parts information, visit
<https://parts.hennypennyhelp.com>.

Exhaust Stack Assembly



07170006

Item No.	Part No.	Description	Qty.	Stocking Level
1	68086	Condensate drain pan	1	
2	16817	Teflon sleeve fitting	2	



For the most up-to-date parts information, visit
<https://parts.hennypennyhelp.com>.

Item No.	Part No.	Description	Qty.	Stocking Level
3	16809	Fitting nut	2	
4	16804	Umbrella grommet	2	
5	65724	Bottom condensate box (EA015JB to GA085JB)	1	
6	SC02-016	Screw, 8-32 x 1/2 in	4	
7	FP01-122	Reducer, 3/8 to 1/2 in	1	
8	16838	Condensation line assembly (before KA020JJ)	1	
8	14320	Condensation line assembly (KA021JJ to BA026JA)	1	
8	64016	Condensation line assembly (BA027JA to EA014JB)	1	
8	24998	Condensation line assembly (EA015JB to GA085JB)	1	
8	69009	Condensation line assembly (GA086JB and after)	1	
9	63992	Condensation hose bracket	1	
10	64013	Top condensate box (KA021JJ to EA014JB)	1	
10	65724	Top condensate box (EA015JB to GA085JB)	-	
11	16854	Dead weight tube (before KA020JJ)	1	
11	59221	Dead weight tube (KA021JJ to EA014JB)	1	
11	65621	Dead weight tube (EA015JB and after)	1	
12	63195	Flex hose conduit box (KA021JJ to EA014JB)	1	



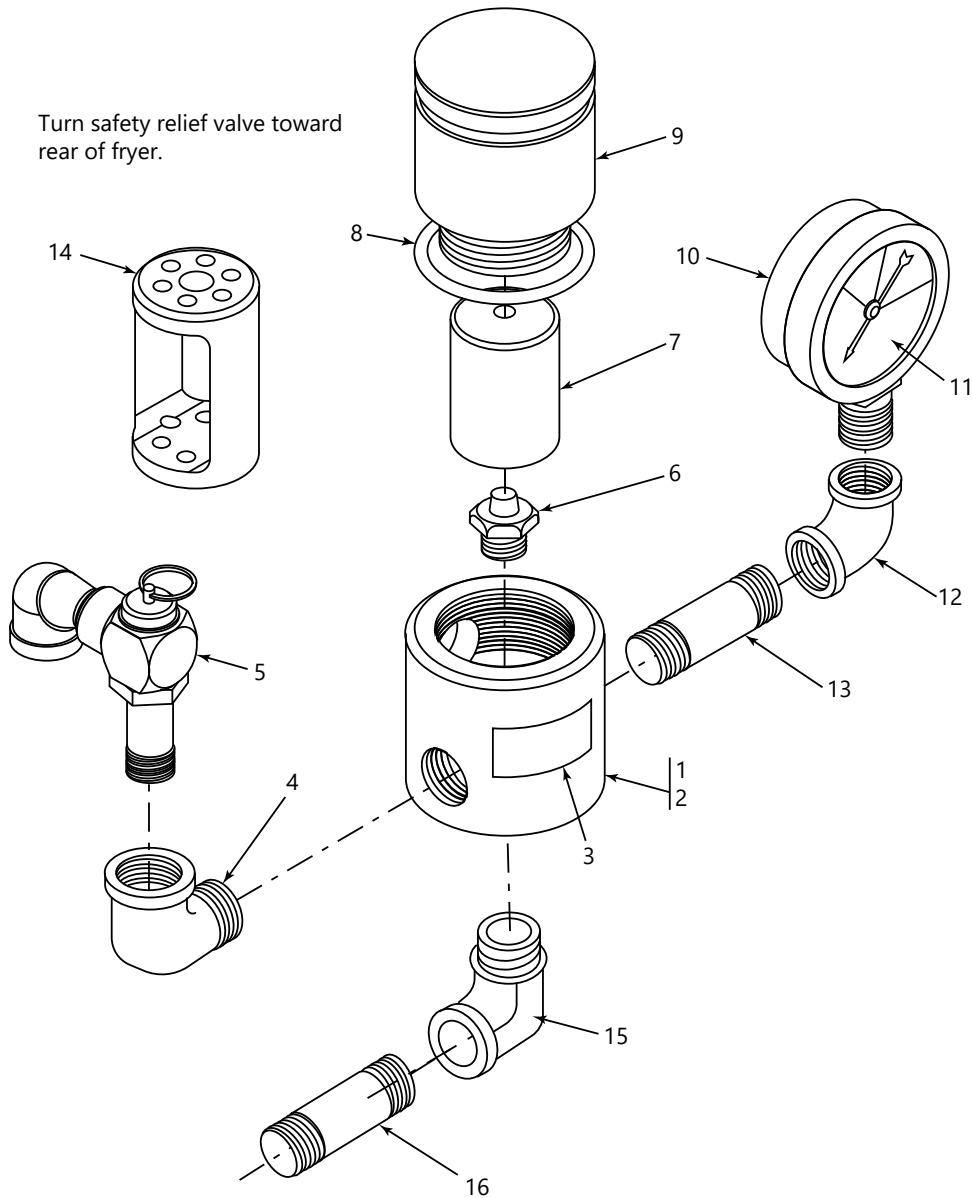
For the most up-to-date parts information, visit
<https://parts.hennypennyhelp.com>.

Item No.	Part No.	Description	Qty.	Stocking Level
12	52124	Flex hose conduit box (EA015JB and after)	1	
13	16807	Male connector	3	
14	58852	Condensate box (KA021JJ to EA014JB)	1	
14	65724	Condensate box (EA015JB and after)	1	
15	65725	- Steam box assembly (Outer)	1	
16	65726	- Steam box assembly (Inner)	1	
17	SC04-003	- Screw, 8-32 x 3/8 in	6	
18*	FP01-087	Street elbow, 3/8 inch NPT, SS (threads onto 65724 steam box)	1	
19*	MS01-297	Hose clamp, SS (clamps for 52124 hose)	2	
Recommended Parts: A = Truck Stock; B = Dist. Stock * = Not Shown				



For the most up-to-date parts information, visit <https://parts.hennypennyhelp.com>.

Deadweight Assembly



Item No.	Part No.	Description	Qty.	Stocking Level
1	16924	Deadweight valve assembly,12 PSI	1	



For the most up-to-date parts information, visit
<https://parts.hennypennyhelp.com>.

Item No.	Part No.	Description	Qty.	Stocking Level
2	56305	- Deadweight valve body	1	
3	16912	- Deadweight valve decal	1	
4	FP01-127	- 90 degree elbow, 1/2 x 1/2 in	1	
5	59742	- Relief valve assembly	1	A
6	16918	- Deadweight valve orifice, 12 PSI	1	
7	16903	- Deadweight, 12 PSI	1	C
8	16902	- Cap o-ring	1	
9	56307	- Deadweight valve cap	1	
Recommended Parts: A = Truck Stock; B = Dist. Stock * = Not Shown				

Optional or Individual Components

Item No.	Part No.	Description	Qty.	Stocking Level
6	27910	Deadweight valve orifice, 3 PSI (use w/ 28922)	1	
7	28922	- Deadweight, 3 PSI (use w/ 27910)	1	C
7	81343	Deadweight, 11 PSI, Malaysia	1	C
7	32729	Deadweight, 7 PSI	1	C
10	16910	Pressure gauge (PSI)	1	A
10*	174091	Pressure gauge, KPA, Hong Kong	1	A
12	16909	Elbow, pipe, 1/4 in	1	
13	56636	Nipple	1	



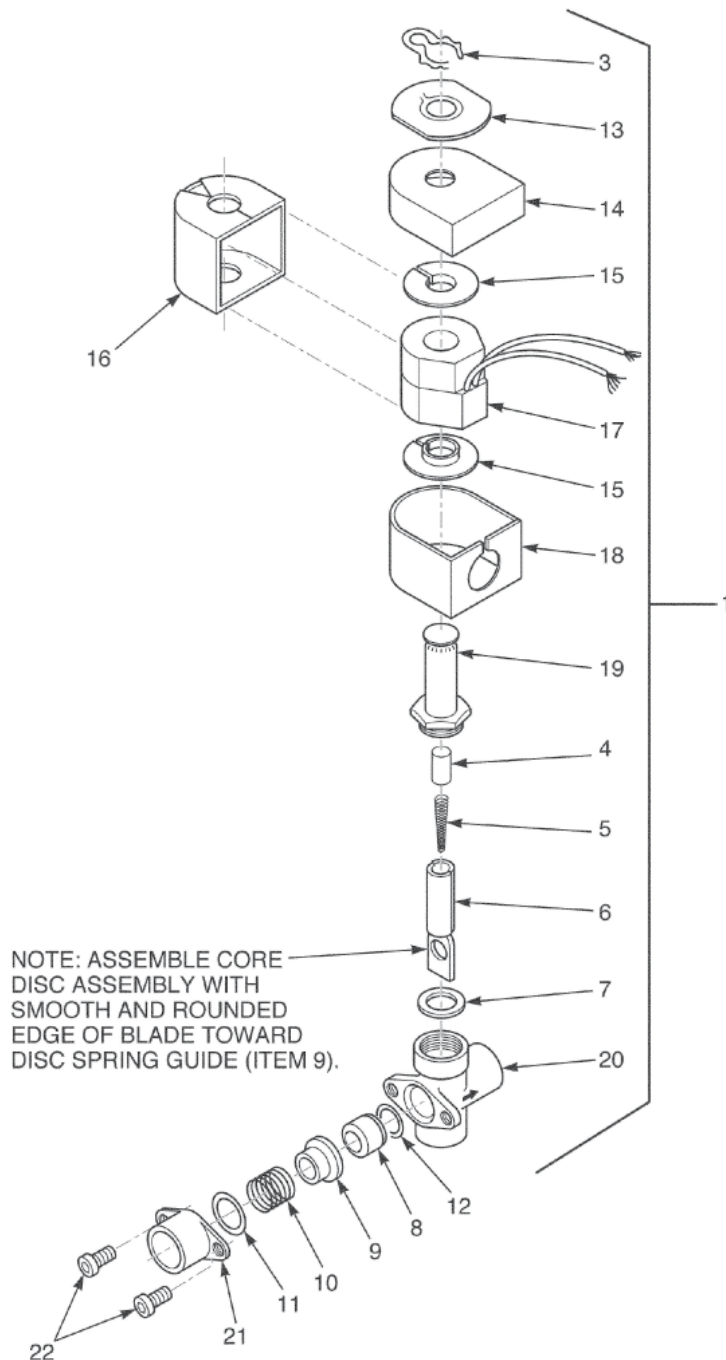
For the most up-to-date parts information, visit
<https://parts.hennypennyhelp.com>.

Item No.	Part No.	Description	Qty.	Stocking Level
14	65449	Deadweight, 3 PSI (optional, use with 12 PSI orifice to convert to 3 PSI)	1	C
15	16239	Elbow, street, 90 degree	1	
16*	18816	Pipe nipple, SS		
17*	140463	Pressure test gauge kit	1	
Recommended Parts: A = Truck Stock; B = Dist. Stock * = Not Shown				



For the most up-to-date parts information, visit
<https://parts.hennypennyhelp.com>.

Solenoid Valve Assembly





For the most up-to-date parts information, visit
<https://parts.hennypennyhelp.com>.

Item No.	Part No.	Description	Qty.	Stocking Level
1	17121	Solenoid valve, 120 VAC, 60 Hz	1	
1	18721	Solenoid valve, 208-240 VAC, 60 Hz	1	A
1	18724	Solenoid valve, 208-240 VAC, 50 Hz	1	
1	29515	Solenoid valve, 24 VAC, 60 Hz	1	
1	29698	Solenoid valve, 24 VAC, 50 Hz		
2*	17120	Solenoid valve repair kit	1	A
3	- 17101	- Retainer clip	1	
4	- 17109	- Retainer spring	1	
5	- 17110	- Core spring	1	
6	- 17111	- Disc assembly core	1	
7	- 17112	- Bonnet gasket	1	
8	- 17114	- Seat, Teflon	1	
9	- 17115	- Disc spring guide	1	
10	- 17116	- Disc spring	1	
11	- 17117	- Retainer spring ring	1	
12	- 17122	- O-ring seal seat	1	
13	N/A	Solenoid name plate	1	A
14	N/A	Coil housing cover	1	A
15	N/A	Coil washer	2	A
16	N/A	Coil yoke	1	A



For the most up-to-date parts information, visit
<https://parts.hennypennyhelp.com>.

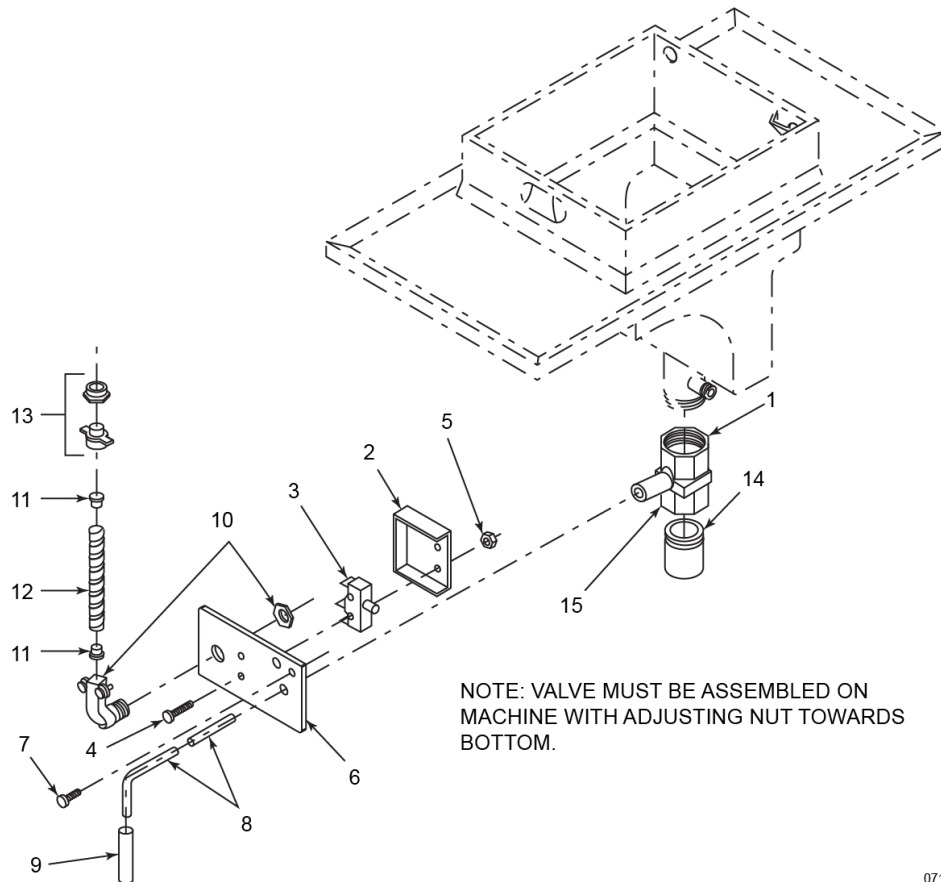
Item No.	Part No.	Description	Qty.	Stocking Level
17	17106	Coil, 120 VAC, 60 Hz	1	A
17	29547	Coil, 24 VAC, 60 Hz	1	A
17	29575	Coil, 24 VAC, 50 Hz	1	A
17	18706	Coil, 208-240 VAC, 60 Hz	1	A
17	18726	Coil, 208-240 VAC, 50 Hz	1	A
18	N/A	Coil housing	1	A
19	N/A	Solenoid bonnet	1	A
20	N/A	Solenoid valve body	1	A
21	N/A	Pipe adapter	1	A
22	N/A	Adapter screw	2	A
23	18816	Pipe nipple, SS	1	
24*	79635	Lever connector, 2-wire	1	

Recommended Parts: A = Truck Stock; B = Dist. Stock
*** = Not Shown**



For the most up-to-date parts information, visit
<https://parts.hennypennyhelp.com>.

Drain Valve Assembly



07170007

Item No.	Part No.	Description	Qty.	Stocking Level
1	55152	Drain valve w/ coupling assembly	1	B
2	17210	Microswitch cover	1	
3	18227	Microswitch	1	A
4	SC01-058	Microswitch screw	2	
5	NS02-005	Microswitch nut	2	



For the most up-to-date parts information, visit
<https://parts.hennypennyhelp.com>.

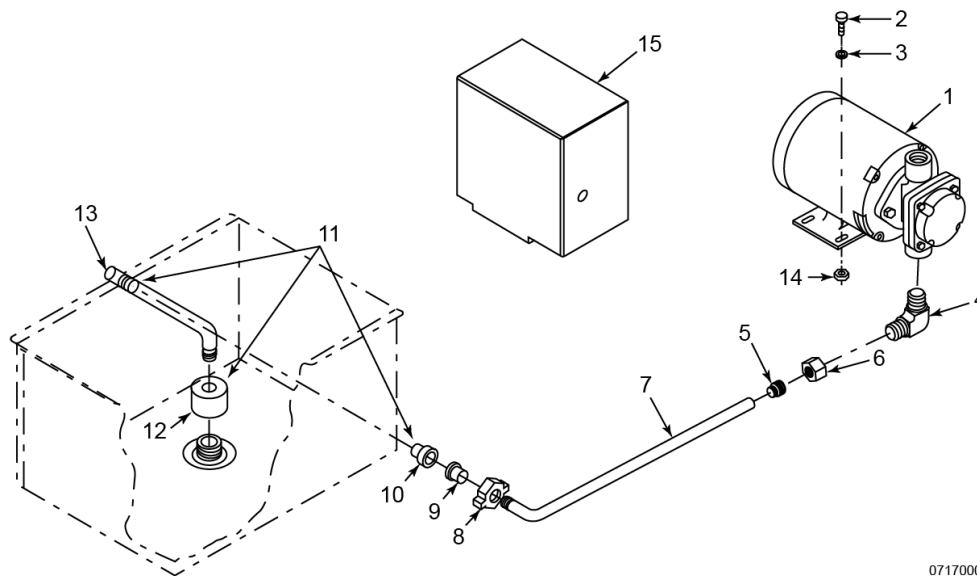
Item No.	Part No.	Description	Qty.	Stocking Level
6	17211	Drain valve rod bracket	1	
7	SC03-005	Drain bracket screw	2	
8	17254	Drain valve rod (normally closed)	1	
8	67661	Drain valve rod (normally open)	1	
9	16293	Valve handle cover	1	
10	18644	Flexible conduit 90 connector w/ nut	1	B
11	18105	Insulator	2	
12	17214	Flexible conduit	1	B
13	18111	Flexible conduit connector w/ nut	1	B
14	18819	Extension nipple (before KA020JJ)	1	
14	18817	Extension nipple (KA021JJ to GA085JB)	1	
14	24647	Extension and deflector (GA086JB and after)	1	
15	17255	Cotter pin	2	
16*	14652	Normal open drain switch kit	1	

Recommended Parts: A = Truck Stock; B = Dist. Stock
 * = Not Shown



For the most up-to-date parts information, visit
<https://parts.hennypennyhelp.com>.

Lower Filter Plumbing Assembly



07170008

Item No.	Part No.	Description	Qty.	Stocking Level
1	67583	1/2 horse power motor (only)	1	A
1	171168	Pump only	1	B
1	17476	- Pump seal kit	1	A
1*	140382	Hub mount filter pump conversion hardware kit (SN: KA021Jj and after)	1	1
1*	140401	Hub mount filter pump conversion hardware kit, Pre-VA (SN: KA020Jj and before)	1	1
1*	164184-001	Hub mount motor, 1/2 HP, 60 Hz	1	1
1*	164184-002	Hub mount motor, 1/2 HP, 50 Hz	1	1
1*	164323	5 GPM hub mount pump	1	A



For the most up-to-date parts information, visit
<https://parts.hennypennyhelp.com>.

Item No.	Part No.	Description	Qty.	Stocking Level
2	SC01-022	Motor screw	8	
3	WA01-002	Washer	8	
4	17407	Elbow, 1/2 NPT, Flange mount pump	1	
4	FP01-340	Elbow, SAE #10, Hub mount pump	1	1
5	16808	Sleeve fitting	1	
6	16809	Fitting nut	1	
7	16812	Pump return tube assembly (before KA020JJ) (includes 16808 & 16809)	1	
7	58877	Pump return tube (KA021JJ to GA085JB)	-	
7	23800	Pump return tube assembly (GA086JB and after) (includes 16808 & 16809)	1	
8	N/A (use 69289)	Union handle fitting	1	
9	N/A (use 69289)	Male union fitting	1	
10	N/A (use 69289)	Female union fitting (also included with item 11)	1	
11	17433	Standpipe assembly (before KA020JJ)	1	
11	14732	Standpipe assembly (KA021JJ to GA085JB)	1	
11	14664	Standpipe assembly (GA086JB and after)	1	
12	65208	- Filter screen nut	1	
13	55367	- Standpipe tube (before KA020JJ) Super-sorb	1	
13	70061	- Standpipe tube (KA021JJ to GA085JB) Supersorb	1	



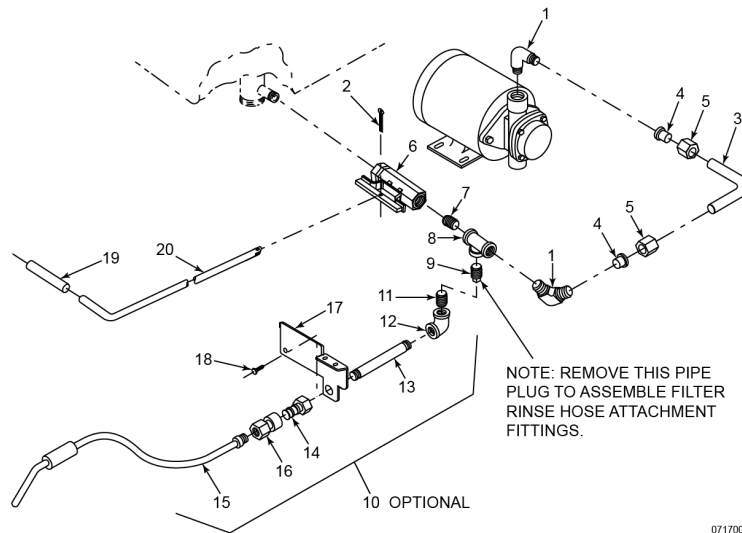
For the most up-to-date parts information, visit
<https://parts.hennypennyhelp.com>.

Item No.	Part No.	Description	Qty.	Stocking Level
13	24284	- Standpipe tube (GA086JB and after) Supersorb	1	
14	NS02-002	Motor nut	4	
15	55281	Motor splash shield, CE (before KA020JJ)	1	
15	59731	Motor splash shield, CE (KA021JJ to GA085JB)	1	
15	24644	Motor splash shield, CE (GA086JB and after)	1	
16*	14064	Filter kit, KFC	1	
17*	17225	- Filter grid, KFC	1	
18*	17226	- Filter clip	1	
19*	17228	- Filter fitting, male, KFC	1	
20*	17229	- Filter fitting, female, KFC	1	
Recommended Parts: A = Truck Stock; B = Dist. Stock * = Not Shown				



For the most up-to-date parts information, visit
<https://parts.hennypennyhelp.com>.

Upper Filter Plumbing Assembly



07170014

Item No.	Part No.	Description	Qty.	Stocking Level
1	17407	Elbow, 1/2 NPT, Flange mount pump	1	
1	FP01-340	Elbow, SAE #10, Hub mount pump	1	
2	17255	Cotter pin	1	
3	17329	Pump to valve tube (before KA020Jj)	1	
3	63246	Pump to valve tube (KA021Jj to GA085JB)	1	
3	27456	Pump to valve tube (GA086JB and after)	1	
4	16808	- Sleeve fitting	2	
5	16809	- Fitting nut	2	
6	17308	Filter valve assembly	1	A
7	FP02-001	Close nipple	1	



For the most up-to-date parts information, visit
<https://parts.hennypennyhelp.com>.

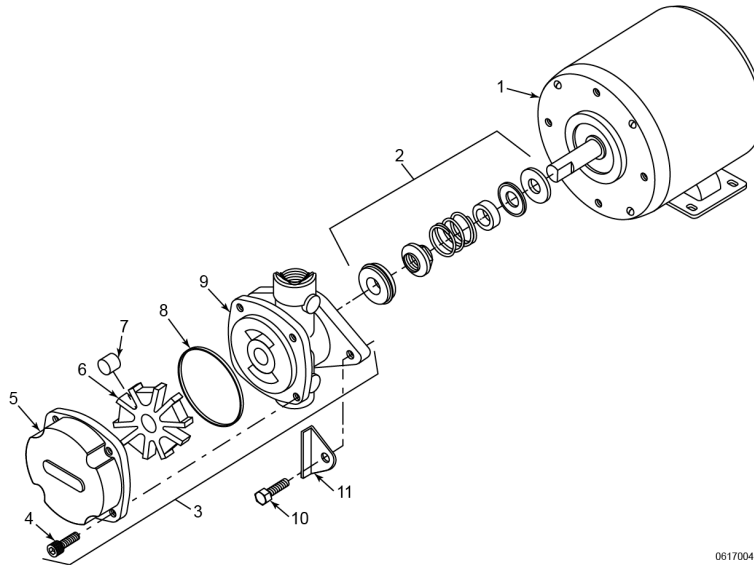
Item No.	Part No.	Description	Qty.	Stocking Level
8	17306	Pipe tee	1	
9	FP01-015	Pipe plug	1	
10	03002	Optional filter rinse hose assembly	1	
11	FP02-007	- Pipe nipple	1	
12	17319	- Pipe elbow	1	
13	17320	- Rinse hose pipe (GA085JB and before)	1	
13	24982	- Rinse hose pipe (GA086JB and after)	1	
14	17334	- Rinse hose disconnect fitting (Male)	1	A
15	03003	- Filter rinse hose	1	
16	17333	Rinse hose disconnect fitting (Female)	1	A
17	17224	Filter valve and rinse hose bracket (GA085JB and before)	1	
17	24958	Filter valve and rinse hose bracket (GA086JB and after)	1	
18	SC03-005	Rinse hose bracket screw	2	
19	16293	Valve rod screw	1	
20	17311	Filter valve extension rod	1	
22*	03602	Shuttle conversion kit	1	

Recommended Parts: A = Truck Stock; B = Dist. Stock
*** = Not Shown**



For the most up-to-date parts information, visit
<https://parts.hennypennyhelp.com>.

Flange Mount Filter Pump Motor Assembly



06170040

Item No.	Part No.	Description	Qty.	Stocking Level
		Hub mount filter pump/motor/conversion hardware kit		
1	67583	Motor, 1/2 HP, 60 Hz	1	A
1	153608	Motor, 1/2 HP, 50/60 Hz ,CE	1	A
2	17476	Seal kit	1	A
3	171168	5 GPM pump assembly	1	B
4	SC01-132	- Pump cover screw	1	
5	171171	- Pump cover	1	
6	171170	- Pump rotor	1	
7	171169	- Pump roller (set of 5)	1	A



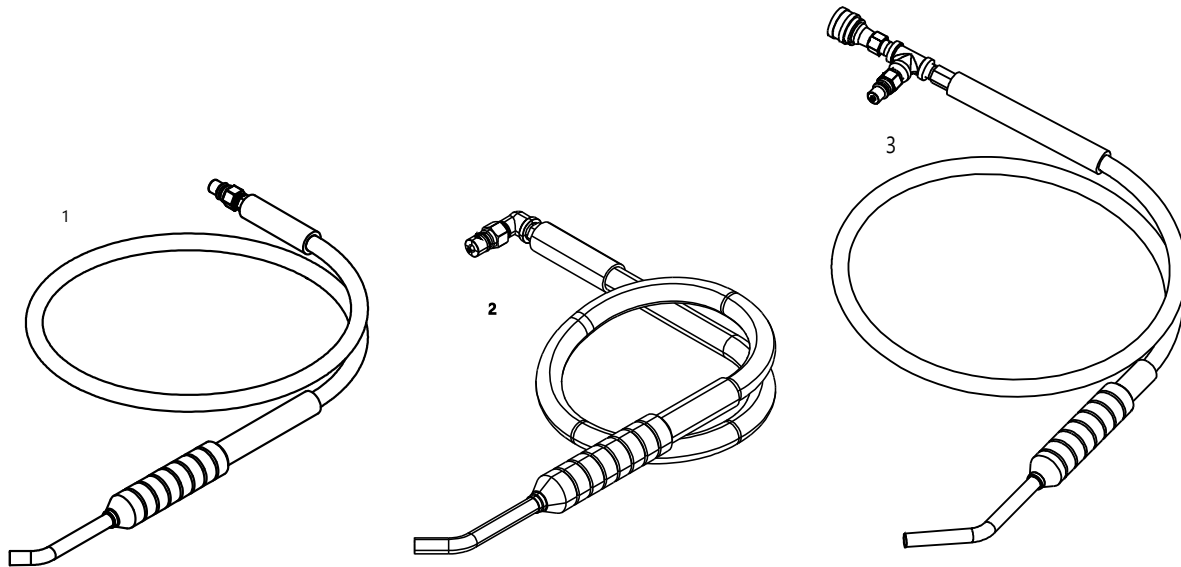
For the most up-to-date parts information, visit
<https://parts.hennypennyhelp.com>.

Item No.	Part No.	Description	Qty.	Stocking Level
8	162498	- O-ring	1	B
9	N/A	Pump body not sold separately. Use 171168 .		
Recommended Parts: A = Truck Stock; B = Dist. Stock				



For the most up-to-date parts information, visit
<https://parts.hennypennyhelp.com>.

Rinse Hose Assembly



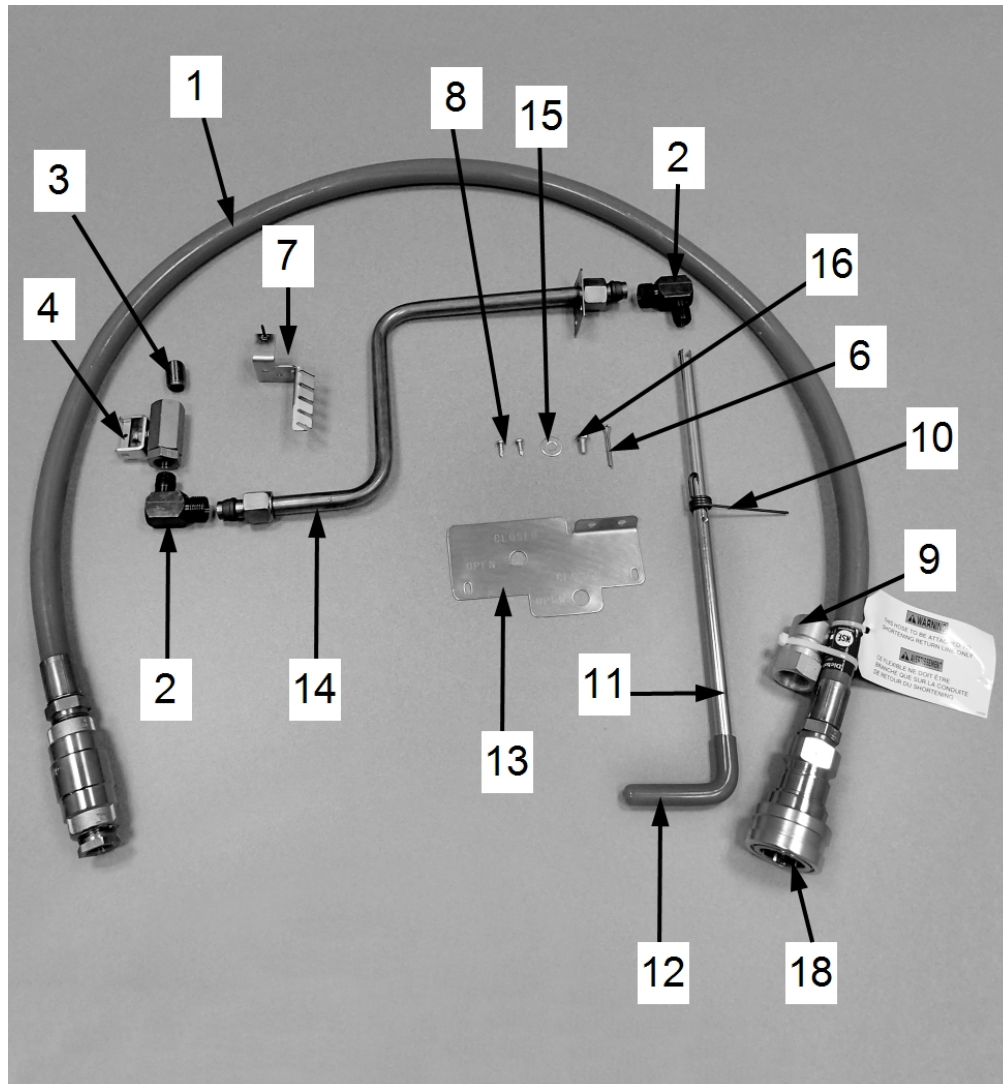
Item No.	Part No.	Description	Qty. 500	Qty. 561
1	165333	Filter rinse hose w/ straight male quick disconnect	1	1
2	33494	Filter rinse hose w/ 90° male quick disconnect	1	1
3	24904	Filter rinse hose w/ 90° degree dual quick disconnect	1	1

Recommended Parts: A = Truck Stock; B = Dist. Stock
*** = Not Shown**



For the most up-to-date parts information, visit
<https://parts.hennypennyhelp.com>.

Direct Connect Hose Assembly



Item No.	Part No.	Description	Qty.	Stocking Level
1	65139	Direct connect hose assembly	1	
2	FP01-079	5/8 tube elbow to 3/8 in, male	2	



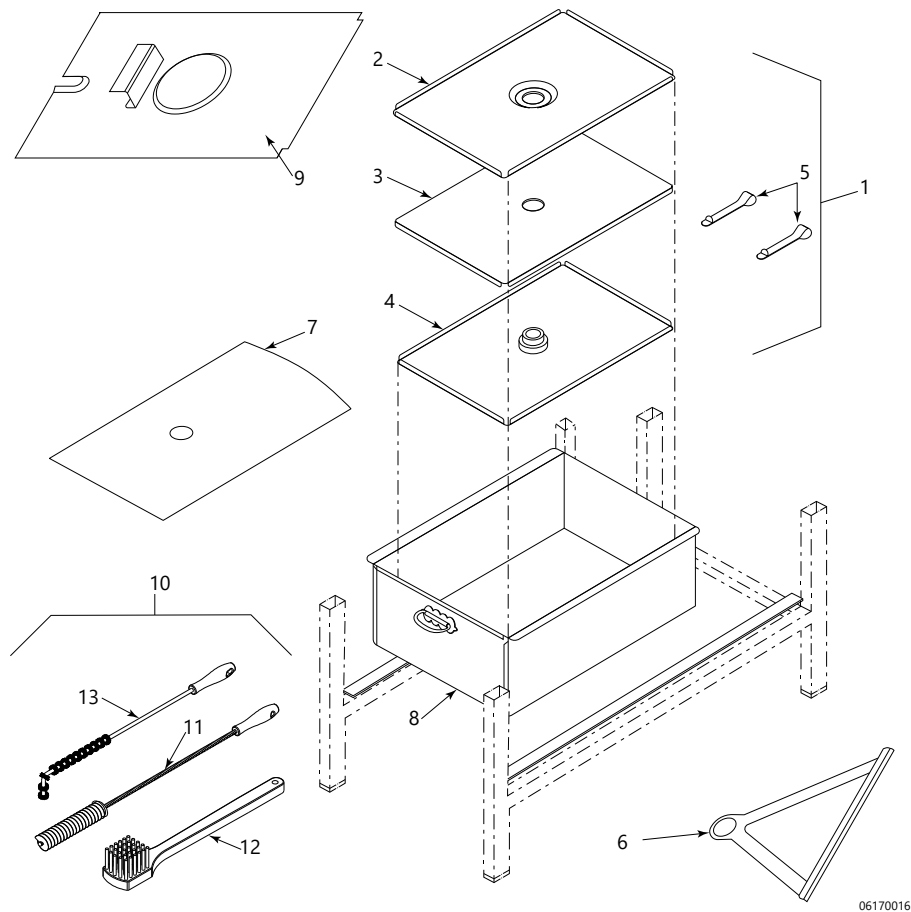
For the most up-to-date parts information, visit
<https://parts.hennypennyhelp.com>.

Item No.	Part No.	Description	Qty.	Stocking Level
3	FP02-024	Close nipple, 3/8 in, NPT	1	
4	17308	Filter valve	1	A
5*	17319	Pipe elbow	1	
6	17255	Cotter pin	1	
7	24641	Shortening management bracket assembly	1	
8	SC03-005	Screw, 8 x 1/2 in	2	
9	21611	Male disconnect	1	A
10	21874	Shortening management spring	1	
11	32722	Direct connect rod	1	
12	29769	Fryer handle grip	1	
13	32557	Drain rod bracket	1	
14	32648	Direct connect tube assembly	1	
15	WA01-002	Washer, 1/4 in	1	
16	SC01-057	Hex screw, 1/4-20 x 1/2 in	1	
17*	14370	Direct connect kit (before KA020JJ)	1	
17*	14366	Direct connect kit (KA021JJ to GA085JB)	1	
17	14426	Direct connect kit (GA086JB and after)	1	
18	21612	Female disconnect	1	A
Recommended Parts: A = Truck Stock; B = Dist. Stock * = Not Shown				



For the most up-to-date parts information, visit
<https://parts.hennypennyhelp.com>.

Filter Pan and Screen Assembly



Item No.	Part No.	Description	Qty.	Stocking Level
1	14671	Filter screen kit, General Market	1	
1	14672	Filter screen kit, Wendy's	1	
2	32882	- Crumb catcher assembly - CFA	1	



For the most up-to-date parts information, visit
<https://parts.hennypennyhelp.com>.

Item No.	Part No.	Description	Qty.	Stocking Level
2	65211	- Crumb catcher, SS, General Market only	1	
3	N/A	- Top filter screen	1	
*	65208	- Filter nut, female	1	
4	N/A	- Bottom filter screen (before AN0503086, replace with filter screen kit)	1	
4	N/A	- Bottom filter screen (before AA0503097, replace with filter screen kit)	1	
4	65447	- Bottom filter screen (after AN0503086)	1	
5	17505	- Filter envelope clips, General Market	2	
6	63102	- Sealer bar, Wendy's	1	
6	62116	Sealer bar, General Market	1	
7	12102	Filter envelope paper (100 per carton)	1	
7	12087	Filter envelope paper 13.75 X 19.75 inch (60 per carton)	1	
8	17506	Filter pan assembly (KA020JJ & below)	1	
8	58848	Filter pan assembly (KA021JJ to BA026JA)	1	
8	64014	Filter pan assembly (BA027JA to GA085JB)	1	
8	17506	Filter pan assembly (GA086JB & above)	1	
9	17512	Filter pan cover (KA020JJ & below)	1	
9	64023	Filter pan cover (KA021JJ to BA026JA)	1	
9	64020	Filter pan cover (BA027JA to GA085JB)	1	
9	68066	Filter pan cover (GA086JB & above)	1	



For the most up-to-date parts information, visit
<https://parts.hennypennyhelp.com>.

Item No.	Part No.	Description	Qty.	Stocking Level
9	32627	Filter pan cover, Malaysia	1	
9	69294	Storage cover	1	
10	14461	Brush set kit	1	
11	12112	- Straight white brush	1	
12	12116	- Fryer brush, gong, long handle	1	
13	12126	- Black L-tipped brush	1	
10	140947	Brush set kit, CFA		
11	183006	- Straight brush, red handle		
12	183004	- Gong brush, red handle		
13	183005	-Red L-tipped brush		
14*	03352	Filter pan dolly (KA020JJ & below)	1	
14*	03352	Filter pan dolly (GA086JB & above)	1	
14*	03391	Filter pan dolly (BA027JA to GA085JB)	1	
15*	03005	Rinse hose attachment, male		
16*	14064	Filter kit, KFC	1	
17*	- 17225	- Filter gird, KFC	1	
18*	- 17226	- Filter clip	1	
19*	- 17228	- Male filter fitting, KFC	1	
20*	- 17229	- Female filter fitting, KFC	1	
* = Not Shown A/R = As Required Recommended Parts: A = Truck Stock; B = Dist. Stock				



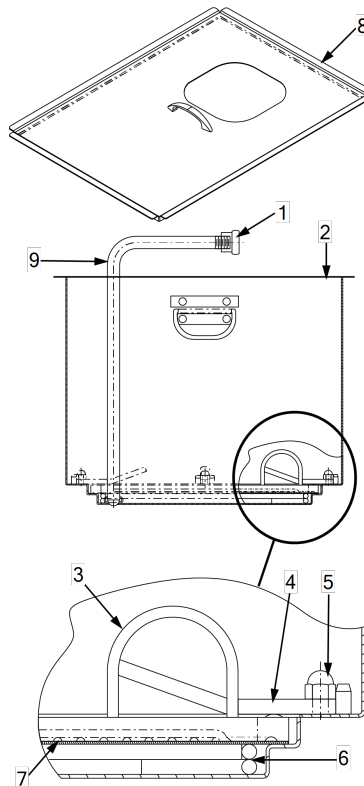
For the most up-to-date parts information, visit
<https://parts.hennypennyhelp.com>.

Supersorb Filter Assemblies

PFG 600 SuperSorb Filter Assembly (Before March 1, 2002)



SuperSorb filter parts were discontinued March 2021
 All Item numbers with red pop-ups are required to convert a unit from SuperSorb to Henny Penny Filter System
 PFG 600 Serial Numbers GA085JB and below



Item No.	Part No.	Description	Qty.	Stocking Level
1	69289	Female union fitting	1	



For the most up-to-date parts information, visit
<https://parts.hennypennyhelp.com>.

Item No.	Part No.	Description	Qty.	Stocking Level
2	17506	Filter pan assembly(SN: KA020Jj and below)	1	
2	58848	Filter pan (SN: KA021Jj to BA026JA)	1	
2	64014	Filter pan (SN: BA027JA to GA085JB)	1	
3	N/A	Filter clamp ring w/ screw	1	
4	N/A	Filter lock handle	4	
5	NS03-023	Acorn cap nut, 1/4-20	4	
6	N/A	Filter pad support	1	
7	N/A	Charcoal filter pad (carton of 30) - Replaced by 14671	-	
7*	14671	Filter screen assembly kit, General Market	1	B
7*	- 12102	- PHT filter envelopes (100 count)	1	A
7*	- 12088	- Prime Filter Powder (Recommended)	A/R	B
8	17512	Filter pan cover (SN: KA020Jj and below)	1	
8	64023	Filter pan cover (SN: KA021Jj to BA026JA)	1	
8	64020	Filter pan cover (SN: BA027JA to GA085JB)	1	
9	55367	Standpipe (SN: KA020Jj and below)	1	
9	70061	Standpipe (SN: KA021Jj to GA085JB)	1	
10*	03352	Standpipe (SN: KA020Jj and below)	1	
10*	03389	Standpipe (SN: KA021Jj to BA026JA)	1	
10*	03391	Standpipe (SN: BA027JA to GA085JB)	1	



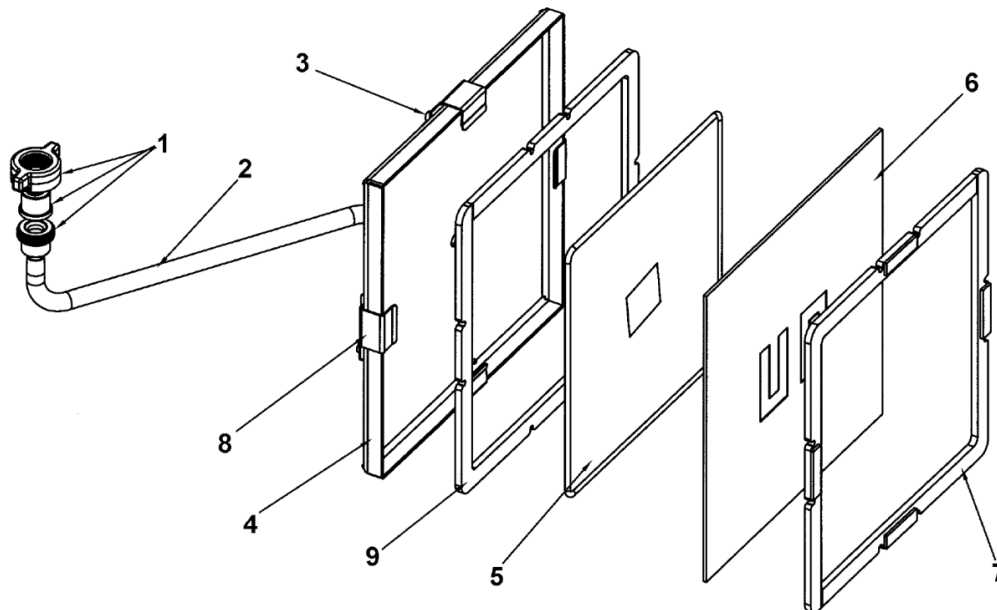
For the most up-to-date parts information, visit
<https://parts.hennypennyhelp.com>.

Item No.	Part No.	Description	Qty.	Stocking Level
11*	19004	- Caster	4	
Recommended Parts: A = Truck Stock; B = Dist. Stock * = Not Shown				

PFG 600 SuperSorb Filter Assembly (March 1, 2002 and After)



SuperSorb filter parts were discontinued March 2021
 All Item numbers with red pop-ups are required to convert a unit from SuperSorb to Henny Penny Filter System.
 PFG 600 Serial Numbers GA086jB and after



Item No.	Part No.	Description	Qty.	Stocking Level
-	14664	PFG 600 pickup tube kit	1	
1	69289	- Union fitting assembly	1	



For the most up-to-date parts information, visit
<https://parts.hennypennyhelp.com>.

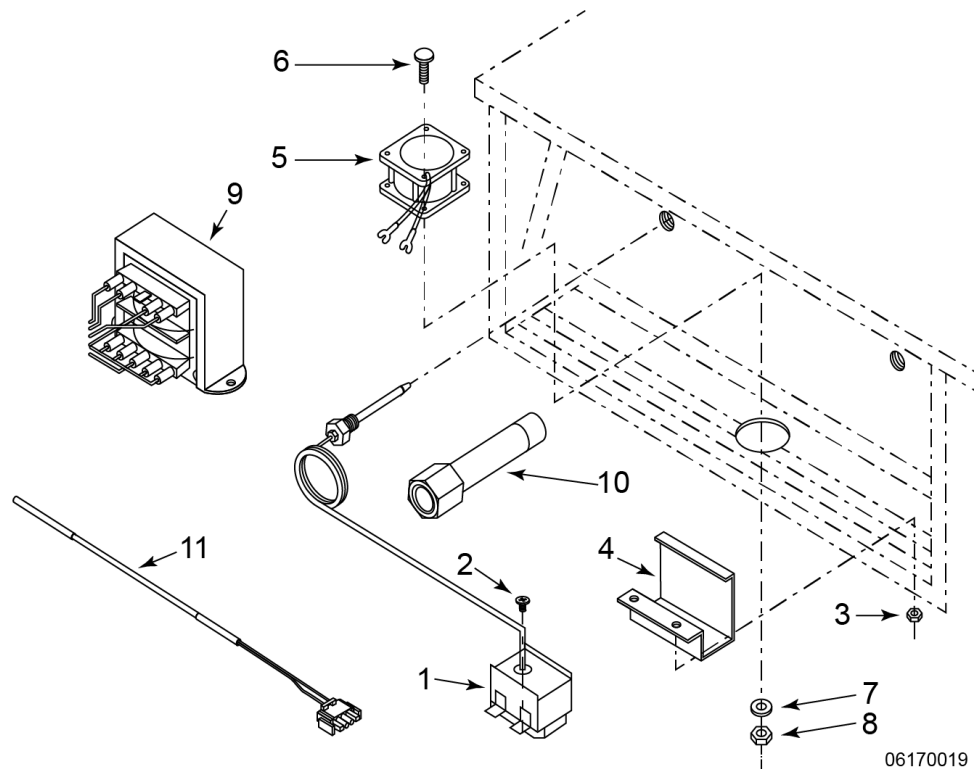
Item No.	Part No.	Description	Qty.	Stocking Level
2	- 24284	- Pickup tube	1	
-	- 65208	- Filter nut, female	1	
3	- SC01-249	- 32 x 3/16 in. shoulder screw	4	
4	N/A	Drain filter weld assembly	-	
5	N/A	Filter section weld assembly	-	
6	N/A	Charcoal filter pad (carton of 30)	-	
6*	14671	Filter screen assembly kit, General Market	1	B
6*	14672	Filter screen assembly kit, Wendy's	1	
-	- 12102	- PHT filter envelopes (100 count)	1	A
-	- 12088	- Prime Filter Powder (Recommended)	A/R	B
7	N/A	Filter clamp ring	-	
8	N/A	Short drain filter clip	-	
9	N/A	Filter retainer whole ring	-	
10*	17506	Filter pan (SN: GA086JB and after)	1	
11*	68066	Filter pan cover (SN: GA086JB and after)	1	
12*	03352	Filter pan dolly (SN: GA086JB and after)	1	



For the most up-to-date parts information, visit
<https://parts.hennypennyhelp.com>.

Fan and High Limit Assembly

Bulb and Cap High Limit Assembly - AN2404031 and Before



Item No.	Part No.	Description	Qty.	Stocking Level
1	16738	High limit temperature control (AN2404031 and before)	1	A
1	60241	E.G.O. High limit temperature control, CE & Australia (CA012JJ to AN2404031)	1	A
1	14267	High limit kit, CE (before CA011JJ)	1	A
2	SC02-018	Thread forming screw, #8	2	
3	NS02-001	Hex keps nut, #10-32	2	



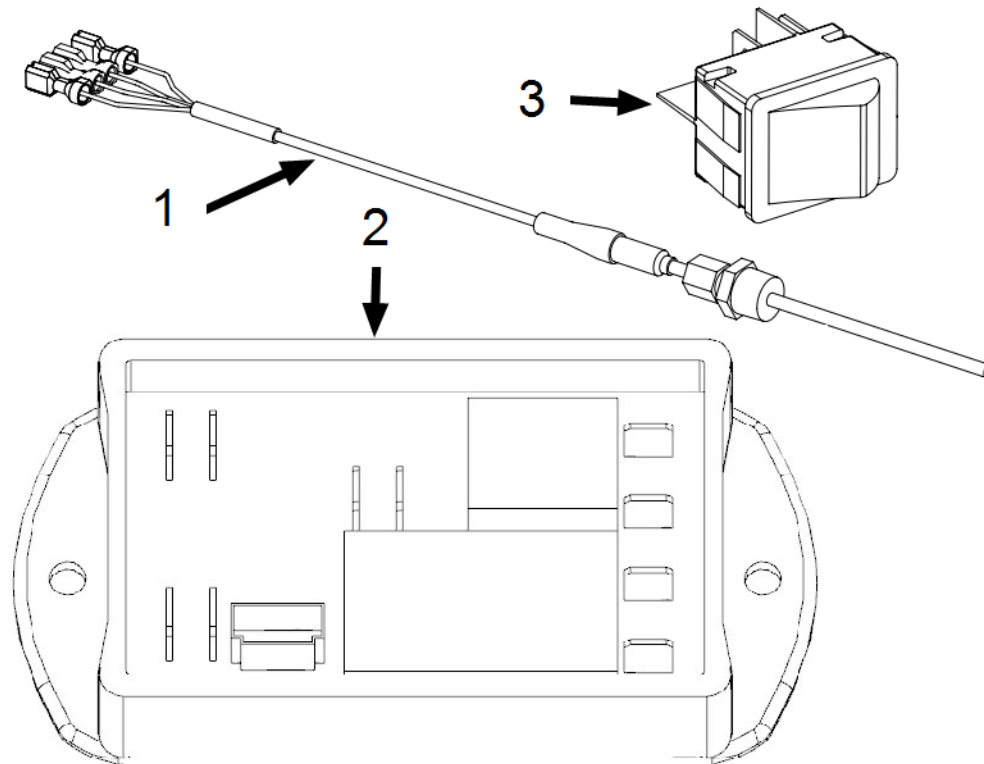
For the most up-to-date parts information, visit
<https://parts.hennypennyhelp.com>.

Item No.	Part No.	Description	Qty.	Stocking Level
4	17216	High limit thermostat bracket assembly	1	
5	81208	Fan, 120VAC	1	B
5	16688	Fan, 240VAC (before AN0810093)	1	A
5	81117	Fan, 240VAC (AN0810094 and after)	1	B
6	SC01-266	Fan screw, 6-23 x 1-3/4 in	4	
7	WA01-006	Fan washer	4	
8	NS02-005	Fan nut	4	
9	35916	Transformer, 120/24VAC	1	A
9	30614	Transformer, 208-240/24VAC	1	A
10	51071	Thermostat fitting (before KA020JJ)	2	
11	68078	FPS temperature probe assembly	1	A
12*	36097	Probe guard	1	
13*	69981	Thermostat clip	1	
Recommended Parts: A = Truck Stock; B = Dist. Stock * = Not Shown				



For the most up-to-date parts information, visit
<https://parts.hennypennyhelp.com>.

Electric Dual High Limit Assembly - AN2404032 and After

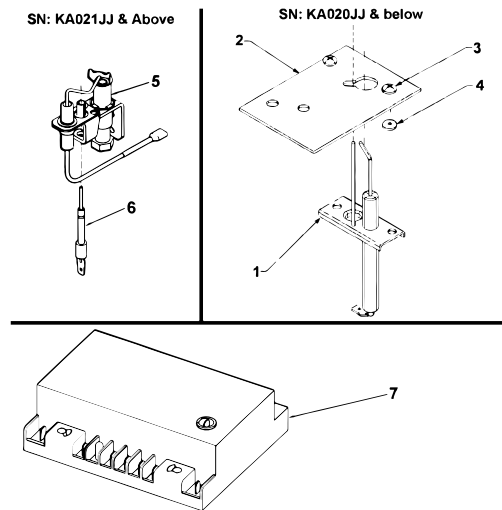


Item No.	Part No.	Description	Qty.	Stocking Level
1	179291	Dual high limit temperature probe (AN2404032 and after)	1	A
2	175915-011	Kit-dual high limit module (AN2404032 and after)	1	A
3	157360	High limit reset switch (AN2404032 and after)	1	A
4*	140847	Kit-600 electric high limit upgrade		
Recommended Parts: A = Truck Stock; B = Dist. Stock * = Not Shown				



For the most up-to-date parts information, visit
<https://parts.hennypennyhelp.com>.

Electronic Ignition Assembly



Item No.	Part No.	Description	Qty.	Stocking Level
1	N/A	Spark sense electrode (before KA020JJ)	1	
2	N/A	Ignitor bracket (before KA020JJ)	1	
2	21522	Ignitor bracket (KA021JJ and after)	1	
2	N/A	Ignitor bracket, International (before KA020JJ)	1	
3	SC01-021	Screw	2	
3	SC01-076	Screw, International (before KA020JJ)	2	
4	NS02-007	Keps nut	2	
5	79132-1	Natural gas pilot assembly (AN1208071 and after)	1	A



For the most up-to-date parts information, visit
<https://parts.hennypennyhelp.com>.

Item No.	Part No.	Description	Qty.	Stocking Level
5	140227	Natural gas pilot assembly w/ SSI (KA021Jj to AN1208070)	1	A
5	79132-2	LP gas pilot assembly (AN1208071 and after)	1	A
5	14931	LP gas pilot assembly w/ SSI (KA021Jj to AN1208070)	1	A
6	14899	Sensor flame harness kit	1	
6	68383	Flame sensor wire	A/R	
6	60292	Pilot flame sensor (KA021Jj and after)	1	A
7	140133	Ignition module kit (before KA020Jj)	1	B
7	21318	Ignition module, International (before KA020Jj)	1	B
7	14919	Ignition module kit, UL (KA021Jj to AN0711029)	1	B
7	77839	- Ignition module, UL (AN0711030 and after)	1	A
7	14937	Ignition module kit, CE (KA021Jj to AN0711029)	1	A
7	77602	- Ignition module, CE (AN0711030 and after)	1	A
7	182407	Ignition module, 60 second, Korea only	1	B
8*	21317	Momentary reset switch (before KA020Jj)	1	B
9*	54472	Power relay, 15 amp. at 120VAC	1	A
9*	56394	Power relay, 10 amp. at 240VAC , CE	1	A



For the most up-to-date parts information, visit
<https://parts.hennypennyhelp.com>.

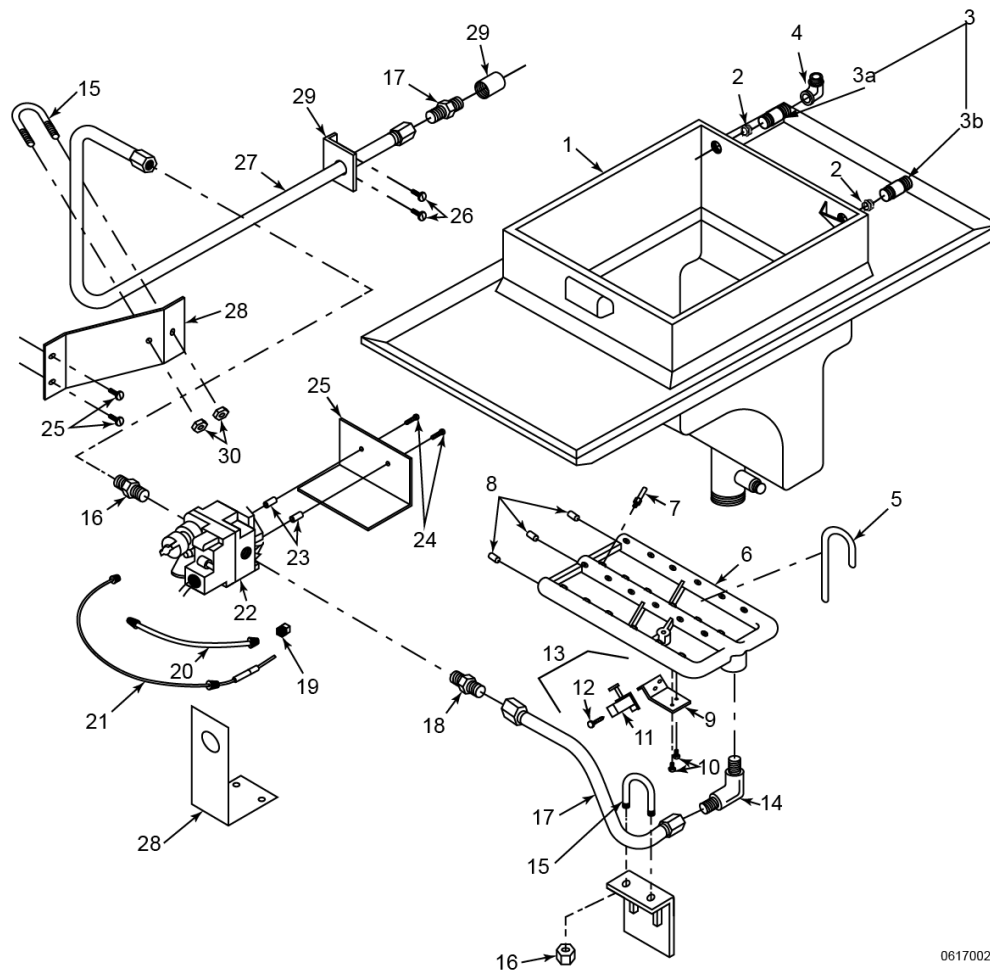
Item No.	Part No.	Description	Qty.	Stocking Level
10*	80854	Ignition module bracket	1	
11*	77923-03	Suppression (ignition) cable, 24 in.	1	
Recommended Parts: A = Truck Stock; B = Dist. Stock * = Not Shown				



For the most up-to-date parts information, visit
<https://parts.hennypennyhelp.com>.

Vat and Gas Burner Assemblies

Vat and Gas Burner Assembly - Domestic with Electronic Ignition



06170020

Item No.	Part No.	Description	Qty.	Stocking Level
1	N/A	Vat and counter top assembly (before KA020JJ) (Discontinued, See Memo)	1	



For the most up-to-date parts information, visit
<https://parts.hennypennyhelp.com>.

Item No.	Part No.	Description	Qty.	Stocking Level
1	65007	Vat and counter top assembly (KA021Jj and after)	1	
1	N/A	Vat and counter top assembly, FPS (before KA020Jj) (Discontinued, See Memo)	1	
1	69722	Vat and counter top assembly, FPS (KA021Jj and after)	1	
1	65010	Vat and counter top assembly, Pollo Campero (KA021Jj and after)	1	
1	65011	Vat and counter top assembly, CE (KA021Jj and after (before use 16889)	1	
2	17154	Vat fitting, SS, 1-1/8 diameter	2	
3	18816	Pipe nipple, SS	2	
3a		Pipe nipple (See Deadweight Assembly)		
3b		Pipe nipple (See Solenoid Valve Assembly)		
4		Elbow (See Deadweight Assembly)		
5	53834	Burner hold down J-bolt	1	
6	178145-XX	Burner assembly. See Burner Assembly and Orifice Set . Note: Serial number required.	1	
7	17013-XX	Burner orifice set	1	
8	FP01-020	- Burner casting plug	3	
9	29969	Pilot holder bracket	1	
10	SC01-184	Pilot holder bracket screw	2	



For the most up-to-date parts information, visit
<https://parts.hennypennyhelp.com>.

Item No.	Part No.	Description	Qty.	Stocking Level
11	use #13	Pilot and orifice assembly	1	
12	SC01-047	Pilot holder screw	1	
13	30904	Pilot and bracket assembly, LP gas (before AN0703021)	1	A
13	30913	Pilot and bracket assembly, natural gas (before AN0703021)	1	A
14	16336	Male elbow	1	
14	FP01-014	Elbow , 1/8 in (AN0901029 and after)	1	
15	SC06-013	Gas line u-bolt	2	
16	NS02-002	Gas supply line bolt nut	4	
17	16333	Gas burner to control line	1	B
17	67202	Burner to valve tube assembly (SSI)	1	B
17	79239	Burner to valve tube assembly (AN0901029 and after)	1	B
18	16335	Close nipple	3	
19	29820	Pilot orifice, natural gas	1	
19	32407	Pilot orifice. propane gas	1	
20	69450	Gas tube pilot assembly	1	
21	16219	Thermocouple	1	A
22	-----	See Gas Valves table.	1	A
23	16221	Heat shield spacer	2	
23	ME50-066	Heat shield spacer (AN0901029 and after)	2	



For the most up-to-date parts information, visit
<https://parts.hennypennyhelp.com>.

Item No.	Part No.	Description	Qty.	Stocking Level
24	SC01-054	Heat shield screw	2	
24	SC02-045	Heat shield screw (AN0901029 and after)	2	
25	58866	Heat shield, aluminum (before KA021JJ)	1	
25	67111	Valve heat shield, SSI (KA021JJ to AN0901028)	1	
25	79197	Valve heat shield (AN0901029 and after)	1	
26	SC02-006	Bracket screw	4	
27	40304	Gas supply line (before KA020JJ)	1	
27	16326	Gas supply line	1	
28	16331	Gas line bracket	1	
29	FP01-007	Pipe coupling	1	
30	24687	Gas valve adjustment screw guard	1	
31	NS02-002	Gas supply line nut (for bolt)	2	
32*	16328	Gas line bracket	1	
33*	14484	Gas line w/ quick disconnect kit, 3/4 in. x 5 ft.	1	
34*	16329	37° flare for 5/8 in. OD nut	2	
35*	16330	37° flare for 5/8 in. sleeve	2	
36*	140645	Vat insulation kit	1	

Recommended Parts: A = Truck Stock; B = Dist. Stock

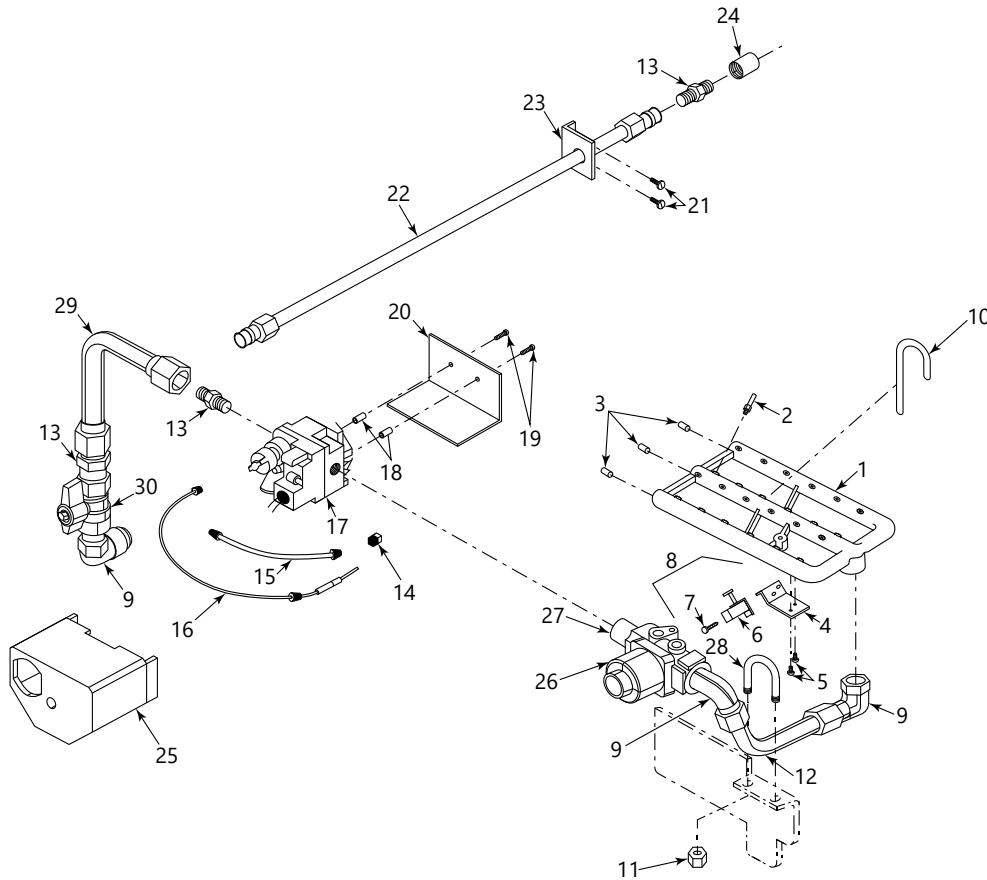
*** = Not Shown**

NOTE: SSI - Solid State (Electronic) Ignition



For the most up-to-date parts information, visit
<https://parts.hennypennyhelp.com>.

Gas Line and Burner Assembly - CE / International with Electronic Ignition



06170039

Item No.	Part No.	Description	Qty.	Stocking Level
1	178145-XX	Burner assembly. See Burner Assembly and Orifice Set . Note: Serial number required.	1	
2	17013-XX	Burner orifice set	1	
3	FP01-020	- Burner casting plug	3	



For the most up-to-date parts information, visit
<https://parts.hennypennyhelp.com>.

Item No.	Part No.	Description	Qty.	Stocking Level
4	29969	Pilot holder bracket	1	
5	SC01-184	Pilot holder bracket screw	2	
6	use #8	Pilot and orifice assembly	1	
7	SC01-047	Pilot holder screw	1	
8	30904	Pilot bracket assembly, LP (before AN0703021)	1	
8	30913	Pilot bracket assembly, NAT (before AN0703021)	1	
9	16336	Male elbow	1	
10	53834	Burner hold down J-bolt	1	
11	NS02-002	Gas supply line nut (for bolt)	4	
12	38464	Gas burner to control line	1	
13	16335	Close nipple	2	
14	29820	Pilot orifice, natural gas	1	
14	32407	Pilot orifice, propane gas	1	
15	69450	Gas tube pilot assembly	1	
16	16219	Thermocouple	1	
16	34820	Thermocouple, CE	1	
17	-----	See Gas Valves table.	1	
18	16221	Heat shield spacer	2	
19	SC01-054	Heat shield screw	2	
20	16222	Aluminum heat shield	1	



For the most up-to-date parts information, visit
<https://parts.hennypennyhelp.com>.

Item No.	Part No.	Description	Qty.	Stocking Level
21	SC02-006	Bracket screw	4	
22	51429	Gas supply line, natural, CE, Australia, excluding France & Belgium	1	
22	51429	Gas supply line, LP, CE, Australia, France, & Belgium	1	
22	67558	Gas supply line, natural, France & Belgium	1	
23	16328	Gas line bracket	1	
24	FP01-007	Pipe coupling	1	
25	56229	Gas control valve wire cover, CE	1	
26	169843	Gas solenoid valve, 240v (CE & Australia)	1	
26	176162	Gas solenoid valve service pack, 24v (CE & Australia)	1	
26	176163	Gas solenoid valve service pack, 24v, direct connect	1	
26	170708	- Safety valve connector w/ wiring assembly (CE & Australia)	1	
27	FP02-062	1/2 NPT x 1.75 in. long nipple	1	
28	SC06-013	Gas line U-bolt	1	
29	51428	Gas valve supply tube	1	B
30	45401	1/2 in. gas ball valve	1	
31*	FP01-014	1/8 in. Z elbow	1	
32*	FP01-200	Gas inlet BSPT thread fitting	1	



For the most up-to-date parts information, visit
<https://parts.hennypennyhelp.com>.

Item No.	Part No.	Description	Qty.	Stocking Level
33*	16355	Pressure test nipple	1	

Recommended Parts: A = Truck Stock; B = Dist. Stock

* = Not Shown

NOTE: SSI - Solid State (Electronic) Ignition

Gas Flex Line

Length	Diameter	Part No.	Description	Qty.
36"	1/2"	03749	Gas flex line w/ installation kit (w/ QD)	A/R
48"	1/2"	03750 (N/A)	Gas flex line w/ installation kit (1 in. QD) (No longer available through HP.)	A/R
48"	1/2"	03751	Gas flex line w/ installation kit (2 swivel)	A/R
36"	3/4'	03752	Gas flex line w/ installation kit (w/ QD)	A/R
38"	3/4'	03753	Gas flex line w/ installation kit (valve)	A/R
60"	3/4'	03754	Gas flex line w/ installation kit (1 in. QD)	A/R
48"	3/4'	03747	Gas flex line w/ installation kit (2 swivel)	A/R
	3/4"	161559	Valve, 3/4 in NPT, quick disconnect (Q.D. only, no gas line)	A/R
72"	1"	03755	Gas flex line w/ installation kit (2 threaded connectors)	A/R



For the most up-to-date parts information, visit
<https://parts.hennypennyhelp.com>.

Length	Diameter	Part No.	Description	Qty.
33"	1"	03756	Gas flex line w/ installation kit (1 in. QD adapter, valve, elbow)	A/R
48"	1"	03757	Gas flex line w/ installation kit (2 swivel)	A/R
72"	1"	03758	Gas flex line w/ installation kit (1 in. QD adapter, valve, elbow)	A/R
60"	1"	03759	Gas flex line w/ installation kit (2 swivel + 1 QD)	A/R
	1"	160329	Valve, 1 in NPT, quick disconnect (Q.D. only, no gas line)	A/R

Burner Assembly and Orifice Set

Burner Assembly	Burner Orifice Set	Gas Type	Altitude (ft)	Location
178145-1	17013-1	Natural	< 2,500	Global
178145-2	17013-2	Manufactured	< 2,500	Global
178145-3	17013-3	Propane	< 2,500	Global
178145-4	17013-4	Natural	2,500 - 5,000	Global
178145-5	17013-5	Propane	2,500 - 5,000	Global
178145-6	17013-6	Manufactured	-	Japan
178145-7	17013-7	Propane	-	South Africa
178145-8	17013-8	B-6, C-5, C-6	0-2,500	-
178145-9	17013-9	Propane	7,500-10,000	Global
178145-10	17013-10	Butane/Air, 20/80	-	Isle of Man, U.K.



For the most up-to-date parts information, visit
<https://parts.hennypennyhelp.com>.

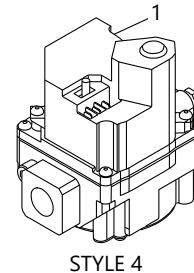
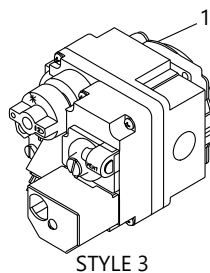
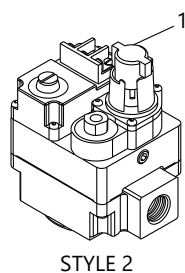
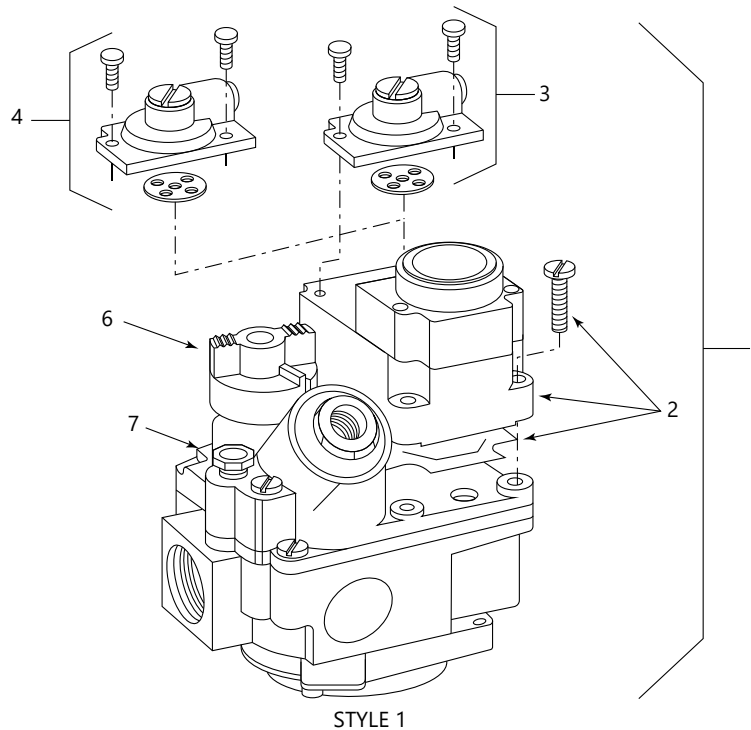
Burner Assembly	Burner Orifice Set	Gas Type	Altitude (ft)	Location
178145-11	17013-11	Natural	7,500-10,000	Global
178145-12	17013-12	Manufactured (City)	-	-
178145-13	17013-13	Propane	-	-
178145-14	17013-14	Propane	5,000 - 7,500	Global
178145-15	17013-15	Natural	5,000 - 7,500	Global
178145-17	17013-17	C4	< 2,500	Japan
178145-18	17013-18	A6	< 2,500	Japan
178145-19	17013-19	Propane/Air, 20/80	< 2,500	International
178145-21	17013-21	Natural	< 2,500	United Kingdom (U.K.)
178145-22	17013-22	Natural	< 2,500	Netherlands
178145-23	17013-23	Natural	< 2,500	Hungary, Netherlands



For the most up-to-date parts information, visit
<https://parts.hennypennyhelp.com>.

Gas Control Valve Assembly

Gas Control Valve



06170021

Item No.	Part No.	Description	Qty.	Stocking Level
1	-----	Gas control valve. See Gas Valves table.	1	



For the most up-to-date parts information, visit
<https://parts.hennypennyhelp.com>.

Item No.	Part No.	Description	Qty.	Stocking Level
2	16254	Gas control valve actuator, natural gas, 120VAC	1	
2	16710	Gas control valve actuator, natural gas, 208/240VAC	1	
2	16386	Gas control valve actuator, propane gas, 120VAC	1	
2	16384	Gas control valve actuator, propane gas, 208/240VAC	1	
3	16253	Gas control valve regulator, natural gas	1	
4	16352	Gas control valve regulator, propane gas	1	
6	16267	Gas control valve knob	1	
7	16373	Pilot tube compression fitting	2	
8*	16247	Natural gas to LP gas STD ignition conversion kit. See Standard Ignition Conversion Kit table.	1	
8*	16248	LP to natural gas STD ignition conversion kit. See Standard Ignition Conversion Kit table.	1	
8*	14324	Natural gas to LP gas STD ignition conversion kit. See Standard Ignition Conversion Kit table.	1	
8*	14325	LP to natural gas STD ignition conversion kit. See Standard Ignition Conversion Kit table.	1	
8*	14723	Natural gas to LP conversion kit, SSI (KA021Jj and after)	1	



For the most up-to-date parts information, visit
<https://parts.hennypennyhelp.com>.

Item No.	Part No.	Description	Qty.	Stocking Level
8*	14724	LP gas to natural gas conversion kit, SSI (KA021JJ and after)	1	
Recommended Parts: A = Truck Stock; B = Dist. Stock * = Not Shown NOTE: Solid State (Electronic) Ignition				

Gas Valves

Voltage	Nat. Electronic Ign.	LP Electronic Ign.	Nat. STD Ign.	LP STD Ign.	
120v	† 34439 (before KA020JJ)	-	† 16216	† 16217	Use 16262 and 16254
240v	-	†21316	† 16380	† 16381	† 16262
24v	◇ 140043 (KA021JJ to AN0901028)	◇ 140043 (KA021JJ to AN0901028)	# 29614 (before KA020JJ)	# 29728 (before KA020JJ)	-
24v	◇ 80761 (AN0901029 and after) ‡ 171978-001 (AN0901029 and above)	◇ 80858 (AN0901029 and above)	‡ 58863 (KA021JJ and above)	‡ 64036 (KA021JJ and above)	-
24v 50Hz	‡ 171978-001 (AN0901029 and above) Use 60632 for SSI ignition.	171978-002 (AN0901029 and above)	# 34806	# 34805	-



For the most up-to-date parts information, visit
<https://parts.hennypennyhelp.com>.

Voltage	Nat. Electronic Ign.	LP Electronic Ign.	Nat. STD Ign.	LP STD Ign.	
240v 50Hz	-	-	# 34804	# 34803	-
† - Style 1, integral lead wires ‡ - Style 2, 3 screw terminals # - Style 3, 2 screw terminals and/or cover ◇ - Style 4, 3 spade terminals and ON/OFF switch					

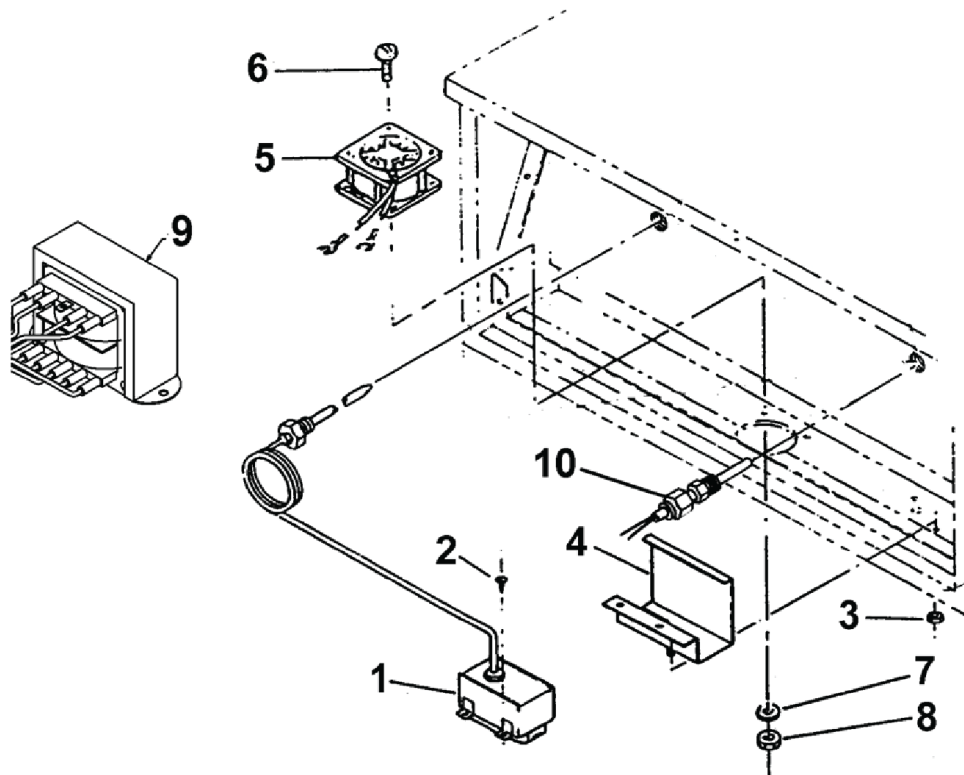
Standard Ignition Gas Conversion Kits

Serial No.	STD USA 120v 60Hz Power	STD European and Non-STD Power
(before KA020JJ)	16247 LP and 16248 NAT	16247 LP and 16248 NAT
(KA021JJ and after)	14324 LP and 14325 NAT	16247 LP and 16248 NAT



For the most up-to-date parts information, visit
<https://parts.hennypennyhelp.com>.

Computron 8000 600 Gas Components



Item No.	Part No.	Description	Qty.	Stocking Level
1	16738	High limit temperature control	1	A
2	SC02-018	Thread forming screw, #8	2	
3	NS02-001	Hex keps nut, #10-32	2	
4	17216	High limit thermostat bracket assembly	1	
5	16684	Fan, 120 VAC (where applicable)	1	A
6	SC01-010	Fan screw, #6-32 X 1/2, CT	4	
7	WA01-006	Fan washer, #6 TYPE A	4	
8	NS02-005	Fan nut, #6-32	4	



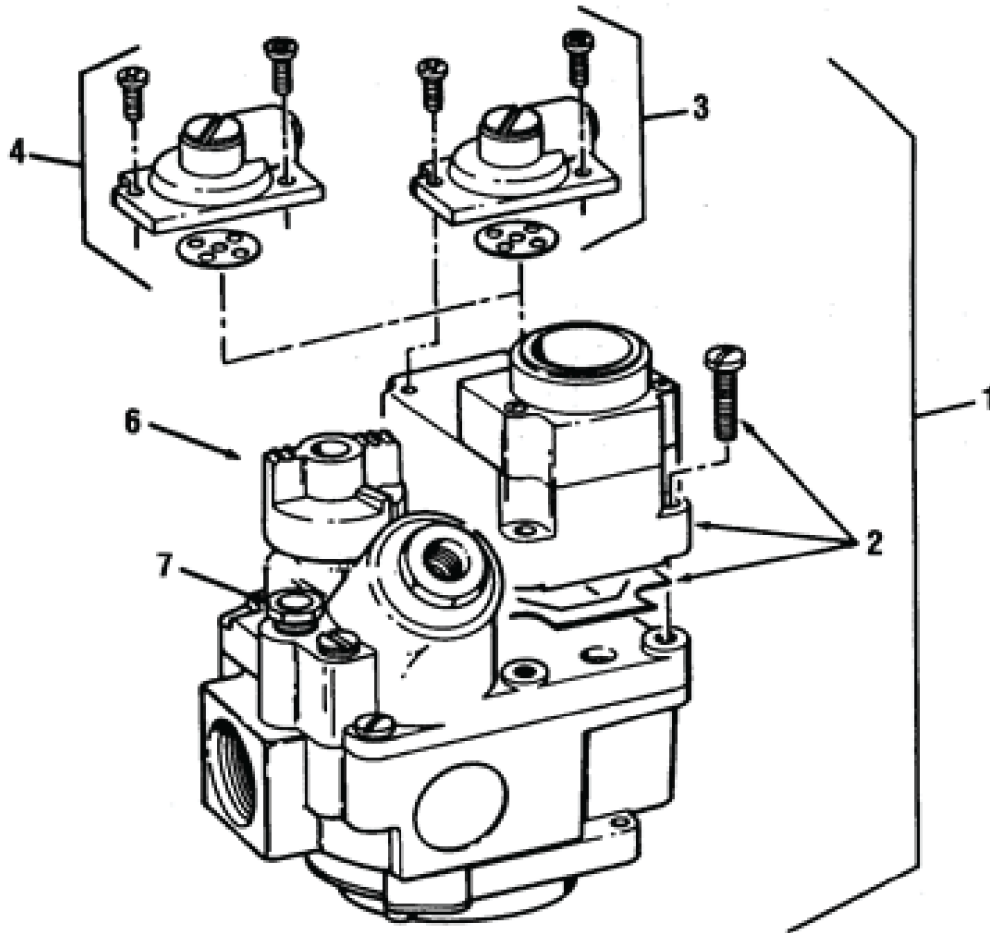
For the most up-to-date parts information, visit
<https://parts.hennypennyhelp.com>.

Item No.	Part No.	Description	Qty.	Stocking Level
9	72854	Transformer assembly, 10/24 VAC	1	A
10	14331	Temperature probe kit	1	A
10	14877	600 FPS temperature probe kit	1	A
11*	36097	Probe guard	1	
Recommended Parts: A = Truck Stock; B = Dist. Stock				



For the most up-to-date parts information, visit
<https://parts.hennypennyhelp.com>.

Computron 8000 600 Gas Control Valve



Item No.	Part No.	Description	Qty.	Stocking Level
1	29614	Gas valve, natural gas, 24 VAC (SN: KA020JJ & below)	1	A
1	58863	Gas valve, natural gas, 24 VAC (SN: KA021JJ & above)	1	A
1	16216	Gas valve, natural gas, 120 VAC	1	A



For the most up-to-date parts information, visit
<https://parts.hennypennyhelp.com>.

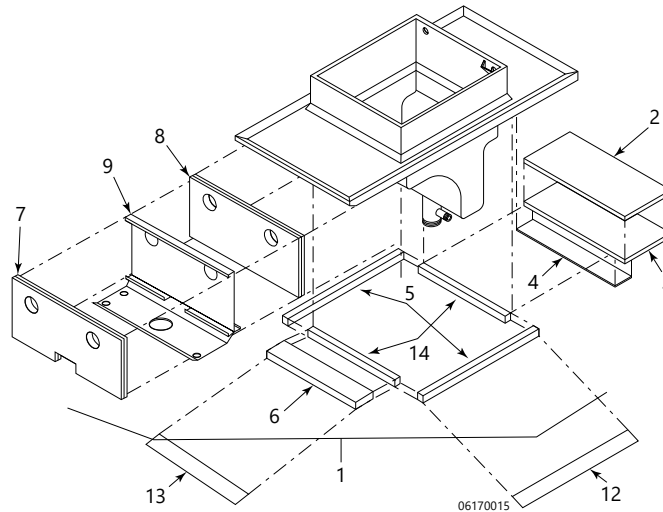
Item No.	Part No.	Description	Qty.	Stocking Level
1	16380	Gas valve, natural gas, 208/240 VAC	1	A
1	29728	Gas valve, propane, 24 VAC (SN: KA020JJ & below)	1	A
1	64036	Gas valve, propane, 24 VAC (SN: KA021JJ & above)	1	A
1	16217	Gas valve, propane, 120 VAC	1	A
1	16381	Gas valve, propane, 208/240 VAC	1	A
2	16254	Gas control valve actuator, natural gas, 120 VAC	1	A
2	16710	Gas control valve actuator, natural gas, 208/240 VAC	1	A
2	16386	Gas control valve actuator, propane, 120 VAC	1	A
2	16384	Gas control valve actuator, propane, 208/240 VAC	1	A
3	16253	Gas control valve regulator, natural gas, 3.5wc	1	A
4	16352	Gas control valve regulator, propane, 10wc	1	A
6	16267	Gas control valve knob	1	A
7	16373	Pilot tube compression fitting	2	A

Recommended Parts: A = Truck Stock; B = Dist. Stock



For the most up-to-date parts information, visit
<https://parts.hennypennyhelp.com>.

Countertop Insulation Assembly



Item No.	Part No.	Description	Qty.	Stocking Level
1	14698	Complete insulation kit (KA021Jj and after)	1	
1	16518	Complete insulation kit (35886 to KA020Jj)	1	
1	16310	Complete insulation kit (before 35886) (includes part number 16505 , 17605 , 16872 , MS01-180 , bulk Cerefelt insulation for around thermocouple, vat fittings and glue)	1	
1	14211	Complete insulation kit, CE & Australia	1	
2	63301	Fiberglass insulation kit	1	
2	63326	Insulation, CE & Australia	2	
3	63302	Flue top Cerefelt insulation	1	
3	63326	Flue top Cerefelt insulation, CE	1	



For the most up-to-date parts information, visit
<https://parts.hennypennyhelp.com>.

Item No.	Part No.	Description	Qty.	Stocking Level
4	16308	Aircell board	1	
4	54862	Aircell board, CE & Australia	1	
5	53807	Counter-top sides insulation	2	
6	16303	Fiberglass insulation	1	
7	63699	Fiberglass notched insulation	2	
7	68070	Front panel insulation assembly (SSI / FPS)	1	
8	63623	Inner heat shield insulation	1	
9	59232	Heat shield	1	
10*	53802	Middle heat shield, CE and Australia (before AN0810093)	1	
11*	80861	Heat shield (AN0810094 and after) (CE and Australia)	1	
11*	85512	Heat shield 240VAC SSI/FPS (before AN0810093)	1	
11*	85518	Heat shield 240VAC SSI/FPS (AN0810094 and after)	1	
12	59965	Counter-top side insulation	2	
13	59966	Counter-top front insulation	1	
14	53808	Counter-top front and rear insulation	2	

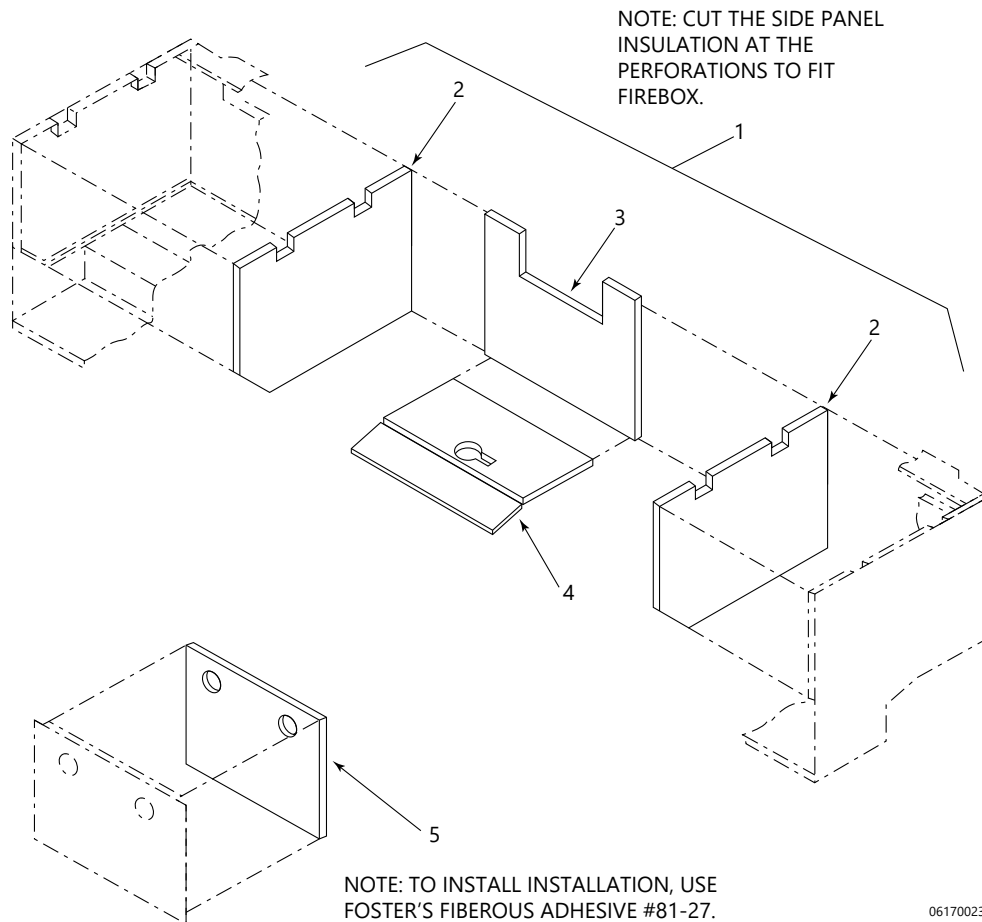
* = Not Shown



For the most up-to-date parts information, visit
<https://parts.hennypennyhelp.com>.

Firebox Flue and Insulation Assemblies

Firebox Insulation Assembly



Item No.	Part No.	Description	Qty.	Stocking Level
1	16505	Inside firebox insulation kit (NOTE: Kit does not include WA02-008 or WS01-056.)	1	
2	63111	- Side panel insulation	2	



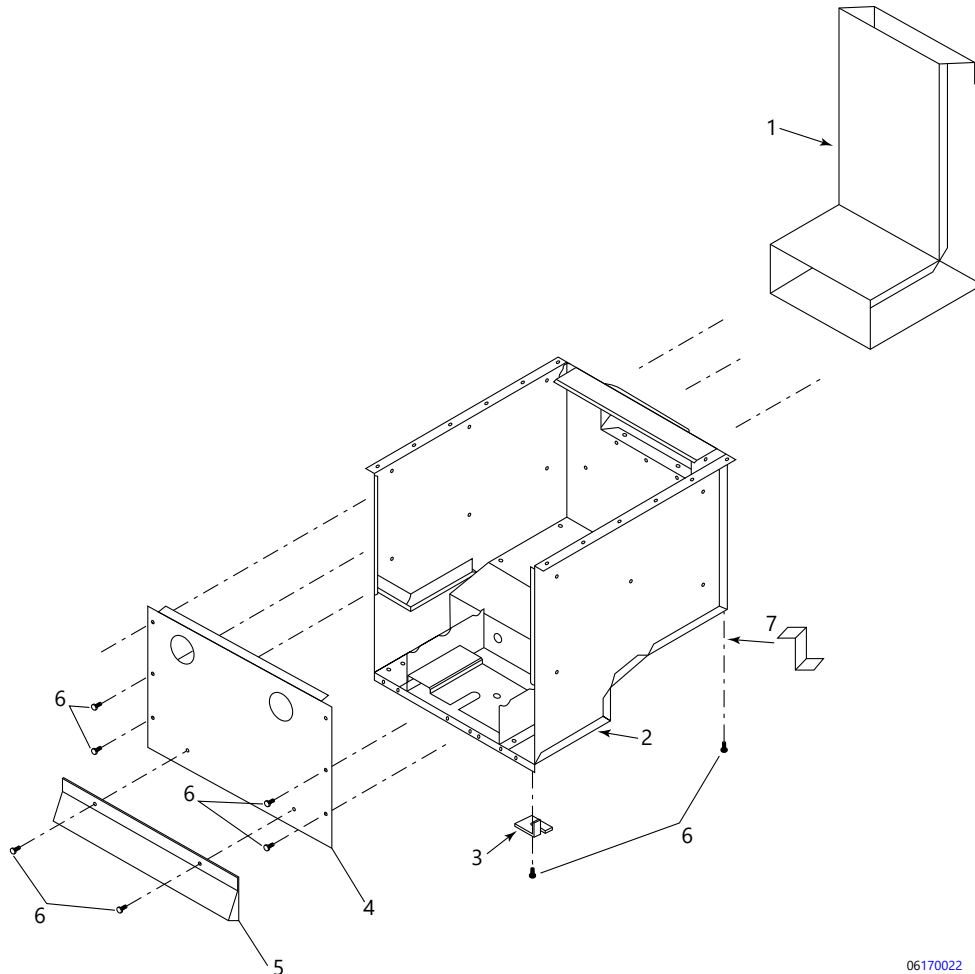
For the most up-to-date parts information, visit
<https://parts.hennypennyhelp.com>.

Item No.	Part No.	Description	Qty.	Stocking Level
3	16502	- Back panel insulation	1	
4	16503	- Bottom panel insulation	1	
5	29690	- Front panel insulation kit	1	
6*	24238	Counter-top side insulation, Japan (AN0902074 and after)	2	
7*	WA02-008	Insulation - Washer retainer, 14 gauge	A/R	
8*	WS01-056	Weld pin, 14 gauge x 2.5 mild steel	A/R	
* = Not Shown				



For the most up-to-date parts information, visit
<https://parts.hennypennyhelp.com>.

Firebox & Flue Assembly



06170022

Item No.	Part No.	Description	Qty.	Stocking Level
1	59728	Flue exhaust stack (KA021J and after)	1	
1	54865	Flue exhaust stack (before KA020JJ)	1	
2	59223	Firebox cabinet assembly (KA021J and after)	1	
2	29679	Firebox cabinet assembly (before KA020JJ)	1	



For the most up-to-date parts information, visit
<https://parts.hennypennyhelp.com>.

Item No.	Part No.	Description	Qty.	Stocking Level
3	18625	Side panel insulation bracket	2	
4	87448	Firebox front panel	1	
5	16406	Heat shield deflector	1	
6	SC03-005	Sheet metal screw screw	20	
7	18626	Side panel insulation rear bracket	2	
8*	63330	Firebox assembly w/ insulation (Japan) (before AN0902073)	1	
8*	63311	Firebox assembly w/ insulation (Japan) (AN0902074 and after)	1	
8*	63331	Firebox assembly w/ insulation, CE and Australia	1	
9*	30857	Front panel insulation assembly (export only)	1	
10*	53812	Firebox front bracket insulation, CE and Australia	2	
11*	53814	Leg insulation, CE and Australia	1	
12*	53816	Outer rear firebox insulation, CE and Australia	1	
13*	24239	Outer side firebox insulation, CE and Australia	1	

* = Not Shown



For the most up-to-date parts information, visit
<https://parts.hennypennyhelp.com>.

KFC Pressure Fryer Safety Inspection Tag

Part No.	Inspection Year	Tag Color	Expiring Year
167160-020	2020	Black	2021
167160-021	2021	Red	2022
167160-022	2022	Blue	2023
167160-023	2023	Yellow	2024
167160-024	2024	Green	2025
167160-025	2025	Black	2026
167160-026	2026	Red	2027
167160-027	2027	Blue	2028
167160-028	2028	Yellow	2029
167160-029	2029	Green	2030