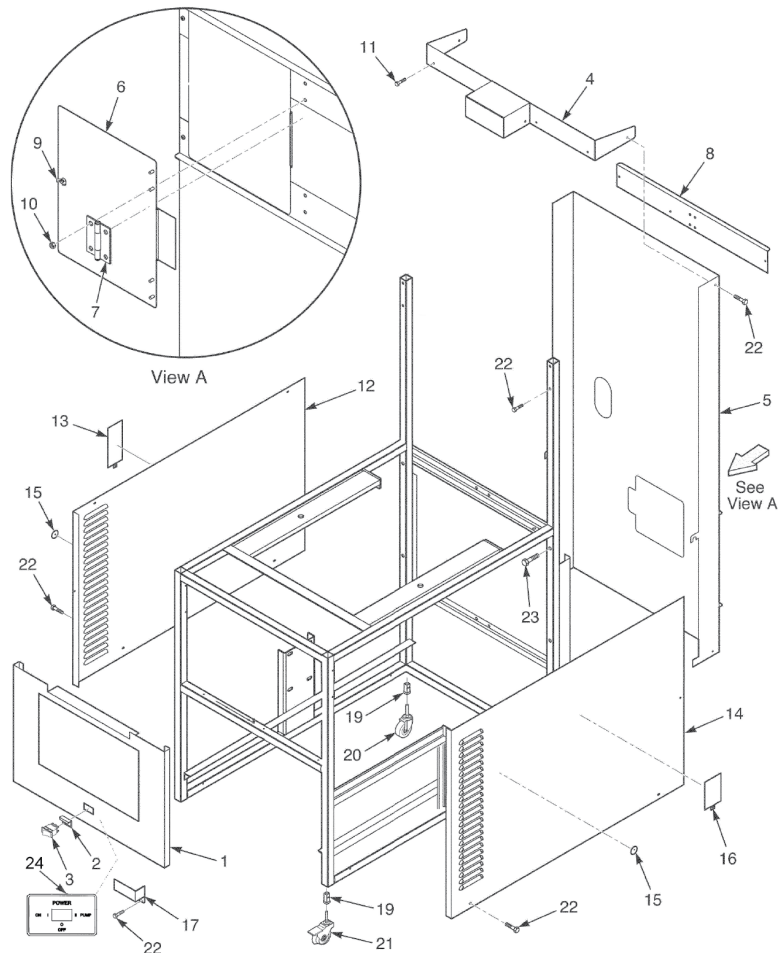




For the most up-to-date parts information, visit  
<https://parts.hennypennyhelp.com>.

## Frame and Cover Assembly



Item No.	Part No.	Description	Qty.	Stocking Level
1	<a href="#">39796</a>	Control panel front weldment	1	
2	<a href="#">53669</a>	Power switch guard	1	
3	<a href="#">29898</a>	Power switch	1	A
3*	<a href="#">176400</a>	- Power switch cover (CE)	1	A



For the most up-to-date parts information, visit  
<https://parts.hennypennyhelp.com>.

Item No.	Part No.	Description	Qty.	Stocking Level
4	<a href="#">55608</a>	Cover-rear shroud (SN AP00802028 & below)	1	
4	68847	Cover-rear shroud (SN AP0802029 to AP1012024	1	
4	<a href="#">91051</a>	Cover-rear shroud (SN AP1012025 & above)	1	
5	<a href="#">70591</a>	Rear shroud access assembly	1	
6	<a href="#">58258</a>	- Access cover stud assembly	1	
7	<a href="#">58256</a>	- Hinge, 2 in leaf height	2	
9	<a href="#">NS03-033</a>	- Wing nut, #10-24, SS	1	
10	<a href="#">NS03-002</a>	- Acorn nut, #10-24	8	
12	<a href="#">70438</a>	Side panel, left	1	
13	<a href="#">36337</a>	Access door	1	
14	<a href="#">70439</a>	Side panel, right	1	
15	<a href="#">PL01-035</a>	Pilot view cover	2	
16	<a href="#">35179</a>	Access cover (SN: AP0603009 and below)	1	
16	<a href="#">36337</a>	Access cover (SN: AP0603010 and above)	1	
17	<a href="#">51741</a>	Gas valve wire cover	1	
19	<a href="#">54225</a>	Threaded leg insert, 1 in (SN AP0802029 & Above)	2	
20	<a href="#">35154</a>	Swivel caster, plain stem, 4 in (AP0802028 & Below)	2	C



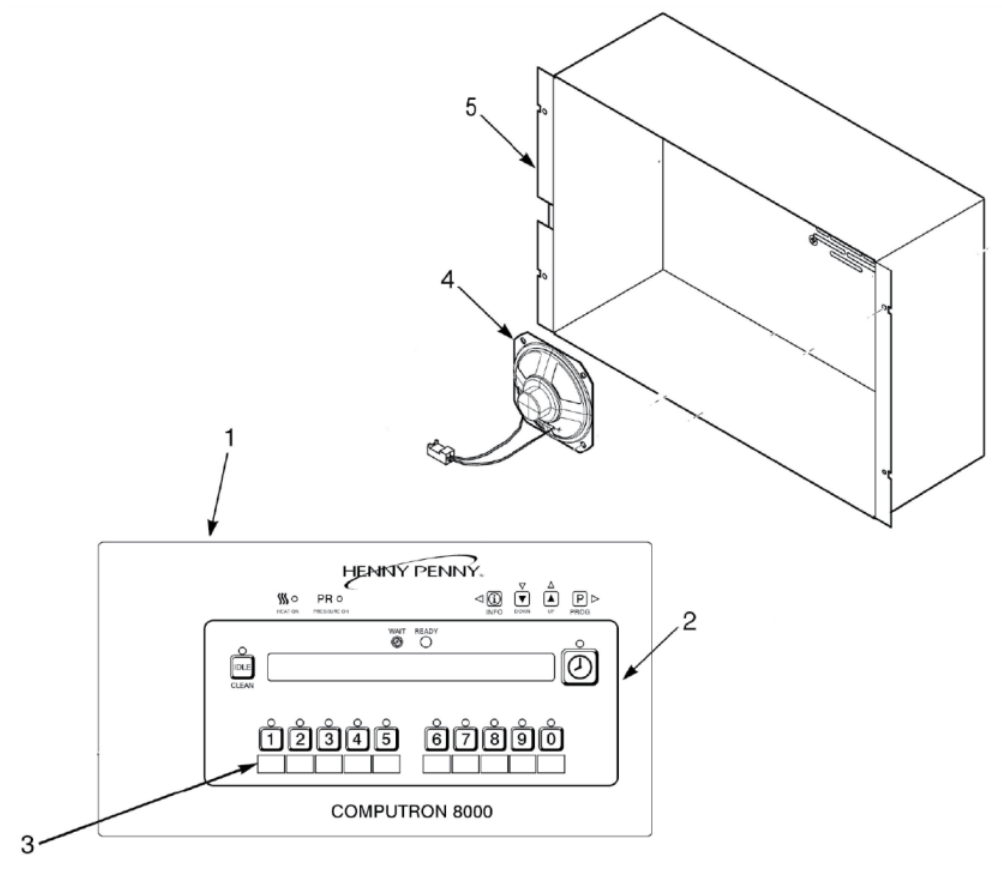
For the most up-to-date parts information, visit  
<https://parts.hennypennyhelp.com>.

Item No.	Part No.	Description	Qty.	Stocking Level
20	<a href="#">53673</a>	Swivel caster, threaded stem, 4 in (SN AP0802029 & Above)	2	C
21	<a href="#">37246</a>	Caster with brake and swivel lock	2	C
22	<a href="#">SC03-005</a>	Screw, #8 X 1/2, CT	8	
23	<a href="#">SC01-215</a>	Screw	4	
25*	<a href="#">03156</a>	Tether kit	1	
	12199	Oil test kit	A/R	
<b>Recommended Parts: A = Truck Stock; B = Dist. Stock</b> <b>* = Not Shown</b>				



For the most up-to-date parts information, visit <https://parts.hennypennyhelp.com>.

## Control Panel Assembly



Item No.	Part No.	Description	Qty.	Stocking Level
1	<a href="#">164947</a>	C8000 control assembly	1	B
1	<a href="#">164955</a>	JollibeeC8000 control assembly	1	B
1	<a href="#">14465</a>	Control assembly kit, 120VAC (S/N FH001JC and below)	1	
1	<a href="#">14466</a>	Control assembly kit, 220-240VAC (S/N FH001JC and below)	1	



For the most up-to-date parts information, visit  
<https://parts.hennypennyhelp.com>.

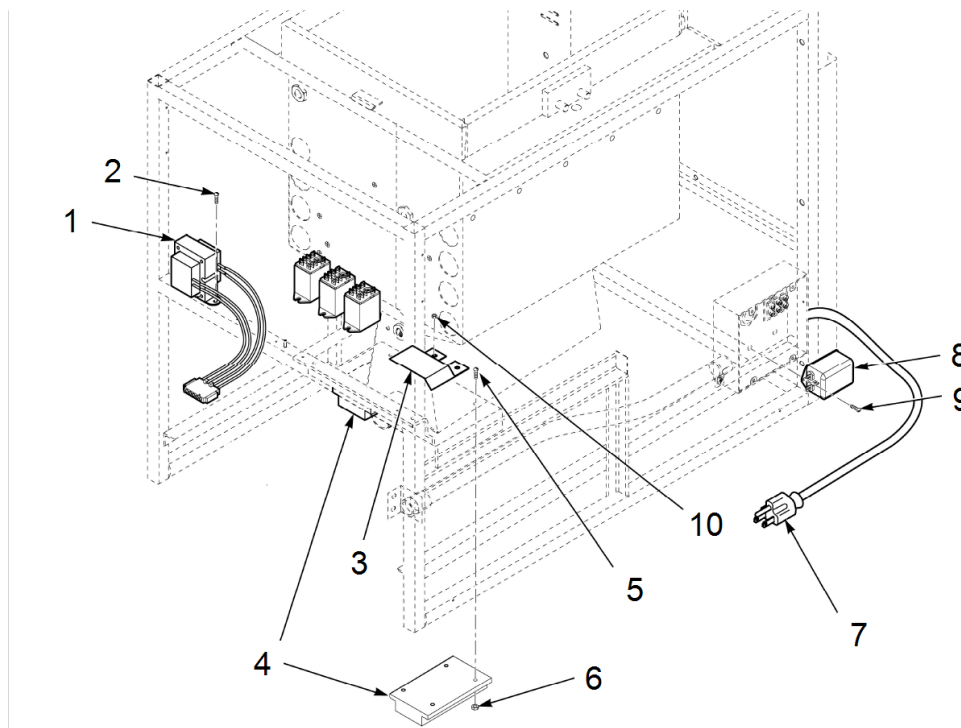
Item No.	Part No.	Description	Qty.	Stocking Level
1	<a href="#">14636</a>	Giant of CarlisleC8000 control assembly kit, 60HZ (S/N FH001JC and below)	1	
1	<a href="#">14637</a>	Giant of CarlisleC8000 control assembly kit, 50HZ (S/N FH001JC and below)	1	
1	<a href="#">65933</a>	Giant of Carlisle control assembly (S/N FH001JC and above)	1	
1	<a href="#">164957</a>	C8000Pollo Campero control assembly	1	
2	<a href="#">65236</a>	Control decal, C8000	1	
3	<a href="#">32634</a>	Menu card, C8000, blank	1	
3	<a href="#">65922</a>	Menu card, C8000, HP, GM	1	
3	<a href="#">65923</a>	Menu card, Giant of Carlisle		
3	<a href="#">69228</a>	Menu card, Pollo Campero		
3	<a href="#">171516</a>	Menu card, Jollibee		
4	<a href="#">26974</a>	Speaker assembly with wire	1	A
5	<a href="#">65661</a>	Control cover stud assembly, C8000	1	
6	<a href="#">65893</a>	I/O board assembly	1	
7*	<a href="#">72854</a>	Transformer assembly, 24VAC	1	
8*	<a href="#">FA63-005</a>	5AMP, 5MM Fuse, normal blow - Fuse for <a href="#">65893</a> I/O Board Assembly	A/R	A

Recommended Parts: A = Truck Stock; B = Dist. Stock  
 \* = Not Shown



For the most up-to-date parts information, visit  
<https://parts.hennypennyhelp.com>.

## Electrical Controls



Item No.	Part No.	Description	Qty.	Stocking Level
1	<a href="#">72854</a>	Transformer assembly, 120/24 VAC	1	A
1	<a href="#">60536</a>	Transformer assembly, 240/24 VAC	1	A
2	<a href="#">SC03-005</a>	Screw (Qty. 50)	2	
3	<a href="#">62053</a>	Right burner wire shield	1	
4	<a href="#">14932</a>	Ignition module kit, non-CE (SN: AP0803002 and below)	2	A
4	<a href="#">77839</a>	Ignition module, non-CE (SN: AP0803003 and above)	2	A



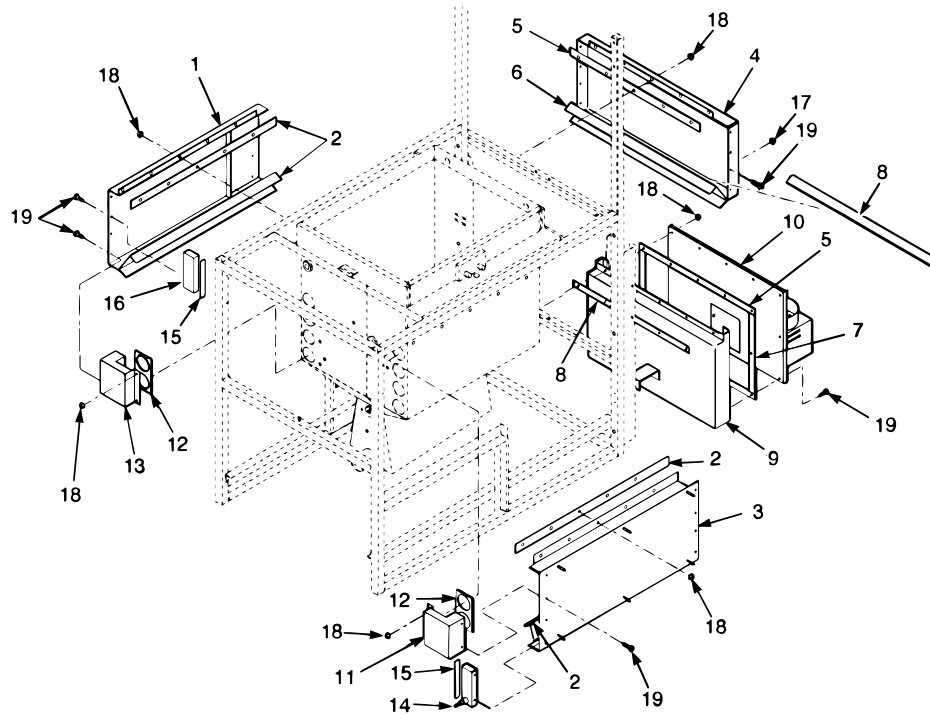
For the most up-to-date parts information, visit  
<https://parts.hennypennyhelp.com>.

Item No.	Part No.	Description	Qty.	Stocking Level
4	<a href="#">14921</a>	Ignition module kit, CE (SN: AP0803002 and below)	2	A
4	<a href="#">77602</a>	Ignition module, CE (SN: AP0803003 and above)	2	A
5	<a href="#">SC01-248</a>	Screw, #10-32 X 1-1/8 in, CT, SS (Qty. 50)	4	
6	<a href="#">NS02-001</a>	Keps hex nut, #10-32, coated (Qty. 50)	4	
7	<a href="#">152411-006</a>	Power cord, 120 VAC	1	
8	<a href="#">54988</a>	EMC filter, CE	1	A
9	<a href="#">SC01-006</a>	Screw, #10-32 X 3/8, CT, coated (Qty. 50)	2	
10	<a href="#">NS02-005</a>	Hex keps nut, #6-32, coated (Qty. 50)	2	
11*	<a href="#">77923-01</a>	Suppression cable, 18 in	1	
11*	<a href="#">77923-02</a>	Suppression cable, 12 in	1	
12*	<a href="#">18102</a>	Junction box	1	
13*	<a href="#">ME50-021</a>	Terminal block	1	
<b>Recommended Parts: A = Truck Stock; B = Dist. Stock</b> <b>* = Not Shown</b>				



For the most up-to-date parts information, visit  
<https://parts.hennypennyhelp.com>.

## Vat Covers and Insulation



Item No.	Part No.	Description	Qty.	Stocking Level
1	<a href="#">52799</a>	Left chamber insulation assembly	1	
2	<a href="#">52041</a>	Chamber mounting insulation	4	
3	<a href="#">52798</a>	Right chamber insulation assembly	1	
4	<a href="#">52800</a>	Rear chamber insulation assembly	1	
5	<a href="#">52038</a>	Lower chamber duct insulation	3	
6	<a href="#">52040</a>	Rear chamber insulation	1	
7	<a href="#">51897</a>	Lower chamber cover insulation	2	
8	<a href="#">52039</a>	Chamber collar insulation	2	



For the most up-to-date parts information, visit  
<https://parts.hennypennyhelp.com>.

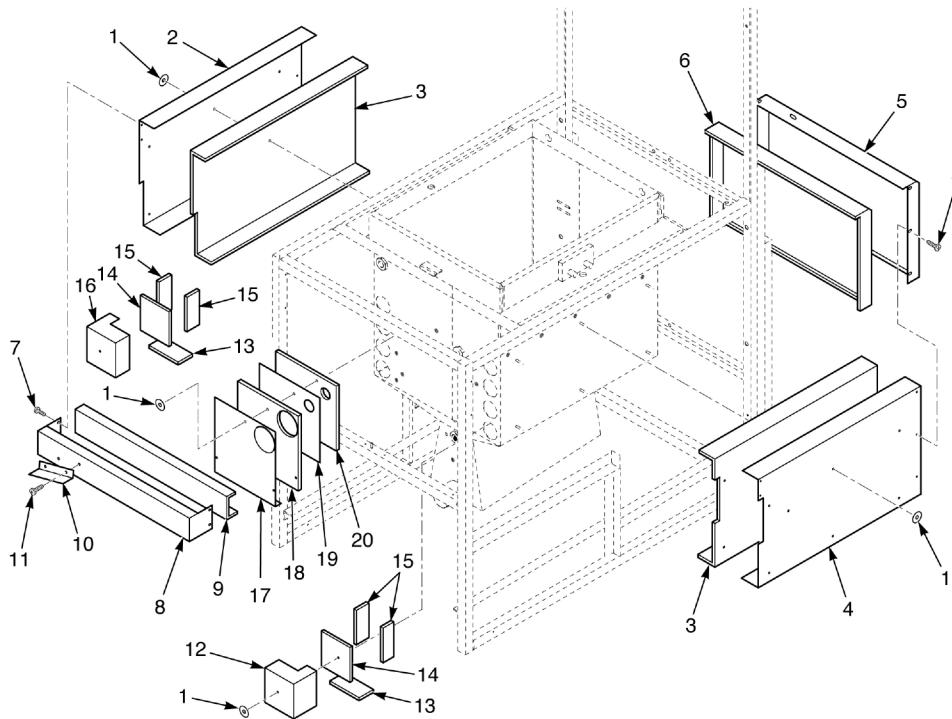
Item No.	Part No.	Description	Qty.	Stocking Level
9	<a href="#">52120</a>	Lower chamber duct assembly	1	
10	<a href="#">21980-01</a>	Dilution box, natural and propane, domestic and non-CE International	1	
10	<a href="#">21980-02</a>	Dilution box, propane, CE	1	
10	21980-03	Dilution box, natural, CE	1	
10	21980-04	Dilution box, propane, domestic and non-CE International, 4000 ft and above	1	
10	21980-05	Dilution box, natural, domestic and non-CE International, 4000 ft and above	1	
11	<a href="#">52795</a>	Right chamber insulation/tube assembly	1	
12	<a href="#">52792</a>	Tube to chamber insulation	2	
13	<a href="#">52794</a>	Left chamber insulation/tube assembly	1	
14	<a href="#">52797</a>	Lower chamber cap/insulation assembly	1	
15	<a href="#">52793</a>	Chamber cap insulation	2	
16	<a href="#">52796</a>	Upper chamber cap/insulation assembly	1	
17	<a href="#">NS02-005</a>	Hex keps nut, #6-32, coated	5	
18	<a href="#">NS02-006</a>	Hex keps nut, #10-24, coated	34	
19	<a href="#">SC02-014</a>	Screw, #8 AB X 3/8, CT, #400, SS	27	

**Recommended Parts: A = Truck Stock; B = Dist. Stock**  
**\* = Not Shown**



For the most up-to-date parts information, visit  
<https://parts.hennypennyhelp.com>.

## Insulation Covers



Item No.	Part No.	Description	Qty.	Stocking Level
1	<a href="#">WA02-001</a>	Insulation washer, 1-1/2 diameter	17	
2	<a href="#">51763</a>	Insulation cover, left	1	
3	<a href="#">51892</a>	Insulation c/chamber side	2	
4	<a href="#">51765</a>	Insulation cover, right	1	
5	<a href="#">51759</a>	Insulation cover, rear	1	
6	<a href="#">51893</a>	Insulation, rear c/chamber	1	
7	<a href="#">SC02-014</a>	Screw, #8-AB X 3/8, CT, #400, SS	10	
8	<a href="#">51739</a>	Top front insulation panel	1	



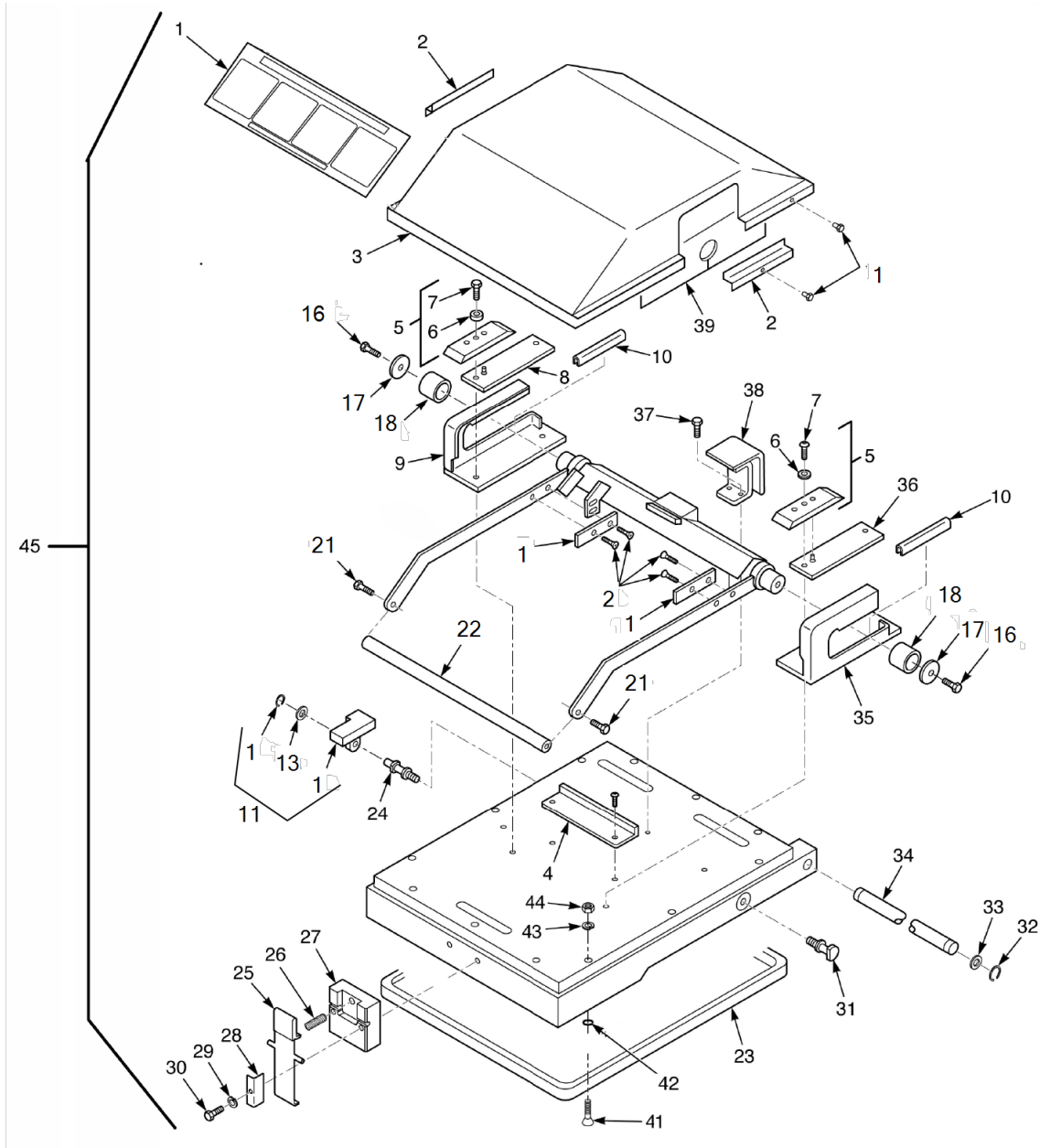
For the most up-to-date parts information, visit  
<https://parts.hennypennyhelp.com>.

Item No.	Part No.	Description	Qty.	Stocking Level
9	51894	Insulation, top front panel	1	
10	62060	High limit shield	1	
11	SC03-005	Screw, SD, #8 X 1/2, CT	2	
12	51753	Insulation cover tube trans, right	1	
13	53661	Insulation tube, chamber side	4	
14	53662	Insulation tube, chamber bottom	2	
15	53660	Insulation tube, chamber rear	2	
16	51755	Insulation cover tube trans	1	
17	51821	Control insulation cover, left	1	
18	53659	Front vat insulation, foil	1	
19	51806	Front vat insulation cover	1	
20	53658	Front vat insulation	1	
<b>Recommended Parts: A = Truck Stock; B = Dist. Stock</b> <b>* = Not Shown</b>				



For the most up-to-date parts information, visit  
<https://parts.hennypennyhelp.com>.

## Lid and Cover Assembly





For the most up-to-date parts information, visit  
<https://parts.hennypennyhelp.com>.

Item No.	Part No.	Description	Qty.	Stocking Level
1	<a href="#">35792</a>	Lid instruction label	1	
2	<a href="#">35675</a>	Lid filler	2	
3	<a href="#">35243</a>	Main lid cover	1	
4	<a href="#">35413</a>	Trip plate	1	
5	<a href="#">52627</a>	Pressure pad assembly	2	A
6	<a href="#">49852</a>	Pressure pad bushing	2	
7	<a href="#">SC01-204</a>	Sock butt screw, 1/4-20X1.00	2	
8	<a href="#">49962</a>	Shim assembly plate, left	1	
9	<a href="#">49890</a>	Cam guide plate, left	1	
10	<a href="#">35359</a>	Slide, 6 in	2	C
11	<a href="#">183138</a>	Service kit, lid stop	1	
12	<a href="#">- RR01-004</a>	Retaining ring, 1/2 in	1	
13	<a href="#">- WA01-020</a>	Washer, ID 0.513, OD 0.750, thick 0.05	1	
14	<a href="#">- 51531</a>	Lid stop cast	1	
15*	<a href="#">- 96405</a>	Hex screw, 1/4 x 0.656 SHLDR		
16	<a href="#">- SC01-074</a>	Screw, #10-32 x 12, CT, SS	8	
17	<a href="#">35223</a>	Special washer	1	
18	<a href="#">140440</a>	Linkage shaft roller kit	2	
19	<a href="#">35339</a>	Handle side guide	2	
20	<a href="#">SC01-062</a>	Screw, #6-32 x 3/8 CTFH	4	



For the most up-to-date parts information, visit  
<https://parts.hennypennyhelp.com>.

Item No.	Part No.	Description	Qty.	Stocking Level
21	<a href="#">SC01-041</a>	Hex screw, 5/16-18 x 1.00, coated	2	
22	<a href="#">36285</a>	Handle tap plate weldment	1	
23	<a href="#">34526</a>	Lid gasket (SN: AP0712021 & below )	1	A
23	<a href="#">66620</a>	Lid gasket (SN: AP0712022 & above )	1	A
24	<a href="#">35945</a>	Lid support pin	1	
25	<a href="#">52497</a>	Latch assembly, coated	1	
26	<a href="#">52498</a>	Latch spring	1	
27	<a href="#">59169</a>	Lid latch bracket, machined	1	
28	<a href="#">51707</a>	Lid latch bracket	2	
29	<a href="#">LW02-006</a>	Latch lockwasher	2	
30	<a href="#">SC01-248</a>	Latch screw, 10-32 x 1.25, CT , SS	2	
31	<a href="#">35032</a>	Lid support pin	1	
32	<a href="#">RR01-010</a>	Retaining ring, 3/4 shaft, SS	2	
33	<a href="#">36312</a>	Lid hinge washer	2	
34	<a href="#">51697</a>	Lid hinge pin	1	
35	<a href="#">49895</a>	Cam guide plate, right	1	
36	<a href="#">49963</a>	Plate shim assembly, right	1	
37	<a href="#">SC01-146</a>	Hex screw, 1/4-20 x 3/4, SS	2	
38	<a href="#">52477</a>	Lid lift	1	
39	<a href="#">35465</a>	Cam slide filler	2	A



For the most up-to-date parts information, visit  
<https://parts.hennypennyhelp.com>.

Item No.	Part No.	Description	Qty.	Stocking Level
41	<a href="#">SC01-195</a>	Screw, 8-32 x 1-7/16, CT, FHD, SS	12	
42	N/A	O-ring, 5/16 x 1/16 diameter	12	
43	<a href="#">LW01-002</a>	Split ring lockwasher, 1/4, SS	12	
44	<a href="#">NS01-008</a>	Hex nut, 8-32	12	
45	See Lid and Cover Assemblies Below	Lid assembly, 690 and 691	1	C

Recommended Parts: A = Truck Stock; B = Dist. Stock  
 \* = Not Shown

### Lid and Cover Assemblies

Part No.	Description	Language	Part (A) Lid Instruction Label	Part (B) Lid Danger Label	Part (C) Danger Stirring Label	Part (D) Danger Oil Label	Part (E) Operational Hazard Label
15485-9-001	Lid and Cover Assembly	English	<a href="#">35792</a>	<a href="#">35822</a>	<a href="#">37933</a>	<a href="#">37934</a>	<a href="#">66444</a>
15485-9-002	Lid and Cover Assembly	English and French	<a href="#">35792</a>	<a href="#">52203</a> and <a href="#">35822</a>	<a href="#">37989</a> and <a href="#">37933</a>	<a href="#">37990</a> and <a href="#">37934</a>	<a href="#">71901</a>
15485-9-003	Lid and Cover Assembly	English and Spanish	<a href="#">67329</a>	<a href="#">45741</a> and <a href="#">35822</a>	<a href="#">44890</a> and <a href="#">37933</a>	<a href="#">44895</a> and <a href="#">37934</a>	<a href="#">96704</a>



For the most up-to-date parts information, visit  
<https://parts.hennypennyhelp.com>.

			Part (A)	Part (B)	Part (C)	Part (D)	Part (E)
Part No.	Description	Language	Lid Instruction Label	Lid Danger Label	Danger Stirring Label	Danger Oil Label	Operational Hazard Label
15485-9-004	Lid and Cover Assembly	Czech	68234	68230	68232	68233	68236
15485-9-005	Lid and Cover Assembly	Dutch	<a href="#">54987</a>	55456	55458	55541	<a href="#">71533</a>
15485-9-006	Lid and Cover Assembly	French	<a href="#">35792</a>	<a href="#">52203</a>	<a href="#">37989</a>	<a href="#">37990</a>	<a href="#">70673</a>
15485-9-007	Lid and Cover Assembly	German	<a href="#">34473</a>	<a href="#">34474</a>	<a href="#">34481</a>	<a href="#">34482</a>	<a href="#">69495</a>
15485-9-008	Lid and Cover Assembly	Greek	46892	61415	61421	61422	71089
15485-9-009	Lid and Cover Assembly	Hungarian	95691	71518	71522	71523	71536
15485-9-010	Lid and Cover Assembly	Italian	<a href="#">46889</a>	<a href="#">61381</a>	61388	61389	<a href="#">73508</a>
15485-9-011	Lid and Cover	Lithuanian	85010	85008	79178	79179	85009



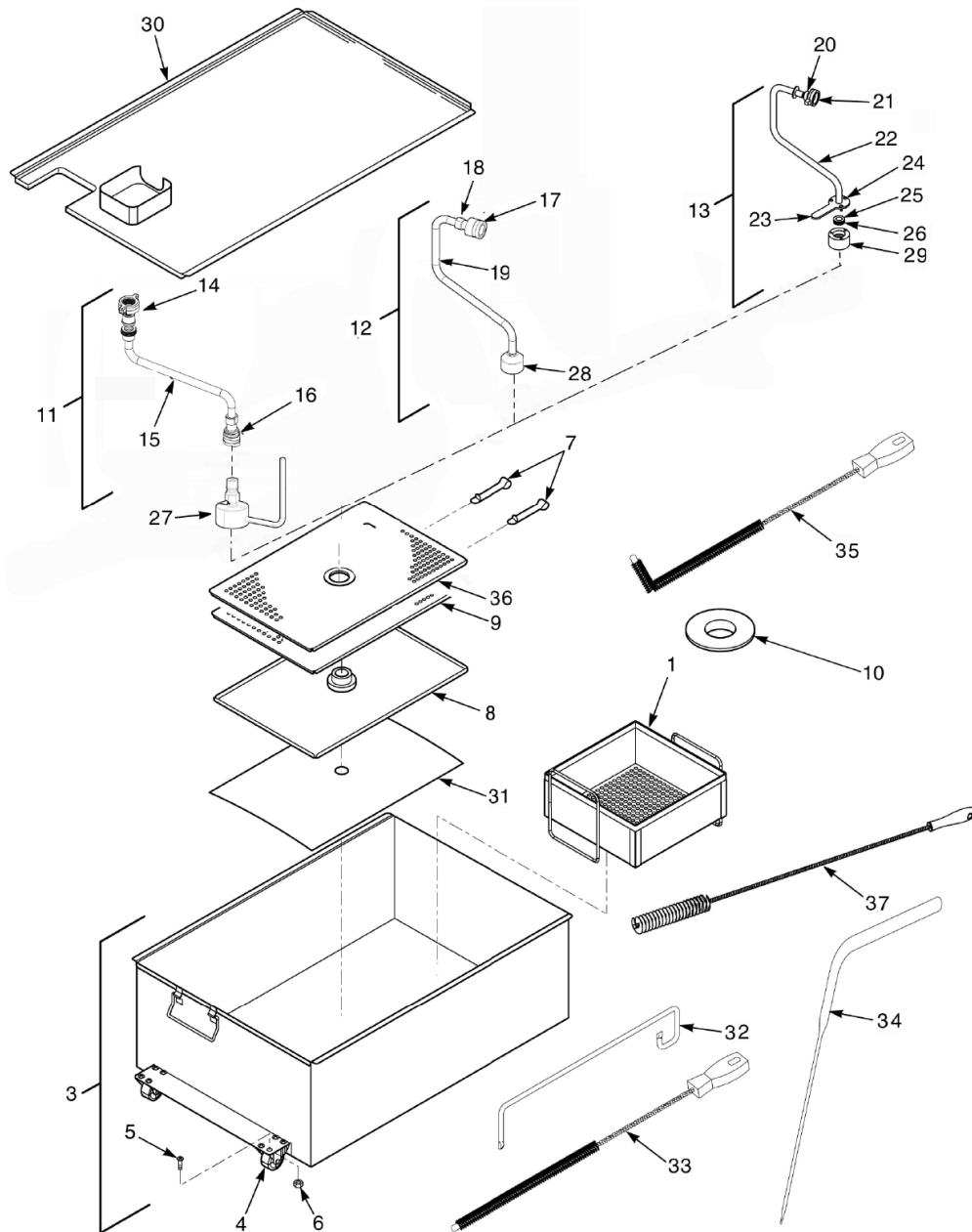
For the most up-to-date parts information, visit  
<https://parts.hennypennyhelp.com>.

			Part (A)	Part (B)	Part (C)	Part (D)	Part (E)
Part No.	Description	Language	Lid Instruction Label	Lid Danger Label	Danger Stirring Label	Danger Oil Label	Operational Hazard Label
	Assembly						
15485-9-012	Lid and Cover Assembly	Polish	<a href="#">61548</a>	61431	61432	61433	71535
15485-9-013	Lid and Cover Assembly	Portuguese	54986	61262	61269	61270	71534
15485-9-014	Lid and Cover Assembly	Slovak	<a href="#">35792</a>	78323	78325	78321	78326
15485-9-015	Lid and Cover Assembly	Spanish	<a href="#">67329</a>	45741	<a href="#">44890</a>	<a href="#">44895</a>	<a href="#">70671</a>
15485-9-016	Lid and Cover Assembly	English for Australia	<a href="#">35792</a>	<a href="#">35822</a>	<a href="#">37933</a>	<a href="#">37934</a>	<a href="#">66444</a>



For the most up-to-date parts information, visit  
<https://parts.hennypennyhelp.com>.

## Filter Assembly





For the most up-to-date parts information, visit  
<https://parts.hennypennyhelp.com>.

Item No.	Part No.	Description	Qty.	Stocking Level
1	<a href="#">52194</a>	Crumb catcher, optional (requires item 10)	1	
2*	<a href="#">03204</a>	Crumb catcher basket with handle, optional (fits inside vat)	1	
2*	<a href="#">21010</a>	-Cold zone crumb catcher basket assembly	1	
2*	<a href="#">24429</a>	- Crumb basket handle	1	
3	<a href="#">52496</a>	Filter pan assembly	1	
4	<a href="#">52487</a>	-Caster	2	
5	<a href="#">SC01-009</a>	- Screw, 1/4-20 X 1/2	8	
6	<a href="#">NS02-002</a>	- Nut, 1/4-20	8	
7	<a href="#">17505</a>	Filter clips	2	
8	<a href="#">17503</a> (use <a href="#">14671</a> )	Bottom filter screen (SN: KH031JJ and below)	1	
8	<a href="#">17503</a> (use <a href="#">14674</a> )	Bottom filter screen (SN: KH032JJ to AP0503043)	1	
8	<a href="#">65447</a>	Bottom filter screen (SN: AP0503044 and above)	1	
9	No Longer Available	Top filter screen	1	
10	<a href="#">36305</a>	Standpipe washer (use with item 1)	1	
11	<a href="#">55876</a>	Standpipe assembly (S/N KH031JJ and below)	1	



For the most up-to-date parts information, visit  
<https://parts.hennypennyhelp.com>.

Item No.	Part No.	Description	Qty.	Stocking Level
12	<a href="#">62081</a>	Standpipe assembly (S/N KH032JJ to AH085JB)	1	
13	<a href="#">24212</a>	Standpipe assembly (S/N AH086JB to AP0503043)	1	
13	<a href="#">14658</a>	Standpipe assembly (S/N AP0503044 and above)	1	
14	<a href="#">69289</a>	- Filter union assembly (S/N KH031JJ and below)	1	
15	<a href="#">51799</a>	- Filter drain line (S/N KH031JJ and below)	1	
16	<a href="#">55507</a>	- Disconnect, female (S/N KH031JJ and below)	1	
17	<a href="#">35396</a>	- Filter nozzle cap (S/N KH032JJ to AH085JB)	1	
18	<a href="#">17333</a>	- Disconnect, female right (S/N KH032JJ to AH085JB)	1	
19	<a href="#">62010</a>	- Filter to disconnect tube (S/N KH032JJ to AH085JB)	1	
20	<a href="#">17431</a> (use <a href="#">69289</a> )	- Fitting union, male	1	A
21	<a href="#">17432</a> (use <a href="#">69289</a> )	- Handle fitting union	1	A
22	<a href="#">24211</a>	- Filter tube and washer weldment	1	
23	<a href="#">23740</a>	- Standpipe handle	1	
24	<a href="#">SC01-245</a>	- Screw, 10-32 X 1/2	3	



For the most up-to-date parts information, visit  
<https://parts.hennypennyhelp.com>.

Item No.	Part No.	Description	Qty.	Stocking Level
25	<a href="#">23804</a>	- Filter nut insert	1	
26	<a href="#">OR01-007</a>	- Filter nut insert o-ring	1	
27	<a href="#">55877</a>	- Filter nut (S/N KH031JJ and below)	1	
28	<a href="#">65208</a>	- Filter nut (S/N KH032JJ to AH085JB)	1	
29	<a href="#">23803</a>	- Filter nut (S/N AH086JB to AP0503043)	1	
29	<a href="#">66535</a>	- Filter nut, SS (S/N AP0503044 and above)	1	
30	<a href="#">62082</a>	Filter pan cover assembly	1	
31	<a href="#">12102</a>	Filter envelope paper (100 per carton)	1	A
31	<a href="#">12087</a>	Filter envelope paper, 13.75 X 19.75 inch (60 per carton)	1	
32	<a href="#">65776</a>	Clean out rod, long	1	
33	<a href="#">52208</a>	Brush, 24 in (61 cm)	1	A
34	<a href="#">35310</a>	Stirrer	1	
35	<a href="#">12126</a>	L-brush, black	1	A
36	<a href="#">65211</a>	Crumb catcher	1	
37	<a href="#">35771</a>	Clean out brush, 35 in (89 cm)	1	
38*	14895	Special short filter kit, KFC	1	

**Recommended Parts: A = Truck Stock; B = Dist. Stock**  
**\* = Not Shown**



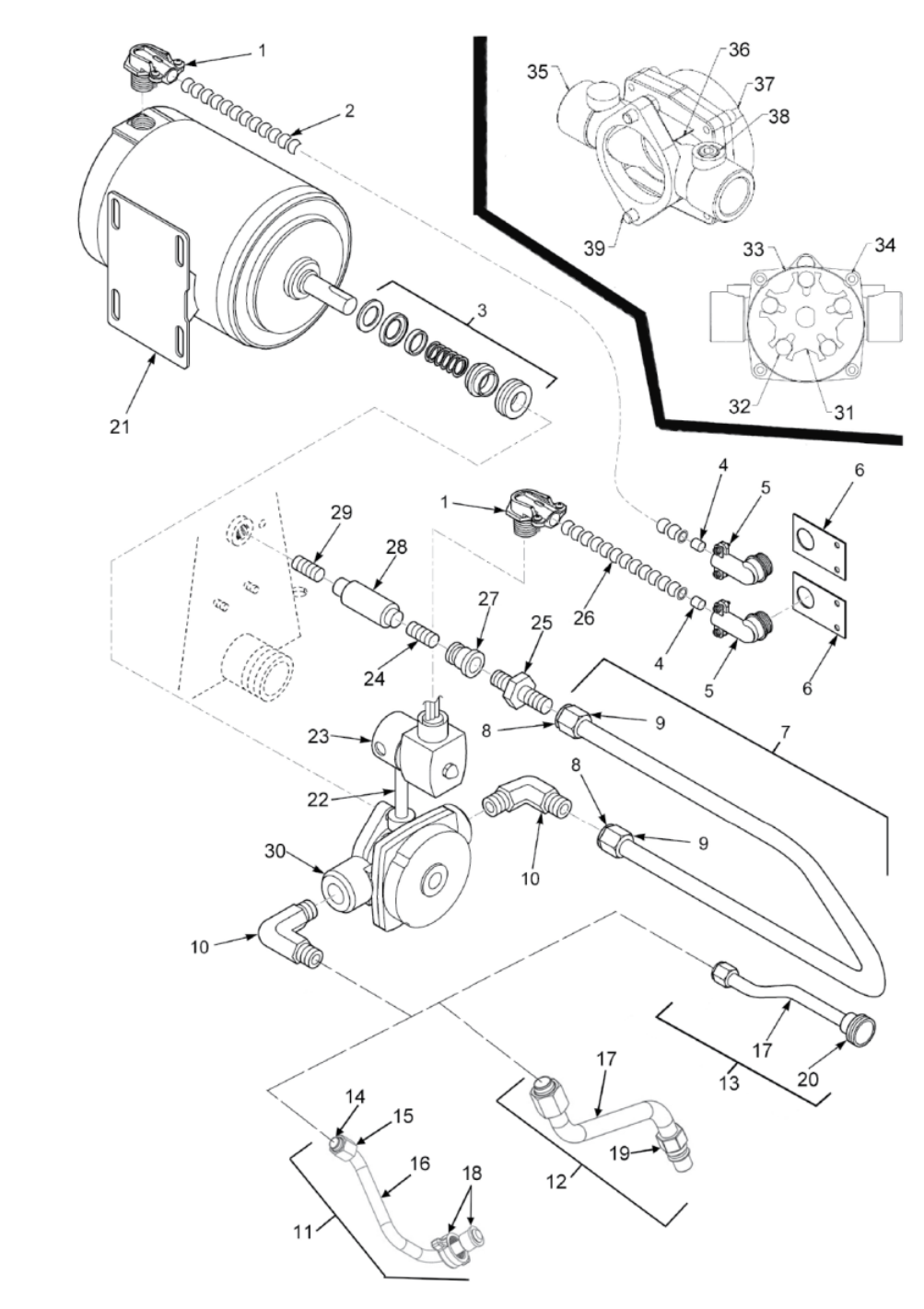
For the most up-to-date parts information, visit  
[https://parts.hennypennyhelp.com.](https://parts.hennypennyhelp.com)



For the most up-to-date parts information, visit  
<https://parts.hennypennyhelp.com>.

## Filter Pump Assembly

SN: LH028JC and Below





For the most up-to-date parts information, visit  
<https://parts.hennypennyhelp.com>.

Item No.	Part No.	Description	Qty.	Stocking Level
1	<a href="#">18107</a>	Conduit connector, 3/8 X 90	2	
2	<a href="#">54484</a>	Blower/pump flexible conduit	1	
3	<a href="#">17476</a>	Pump seal kit	1	A
4	<a href="#">18105</a>	Anti short, 3/8 in	2	
5	<a href="#">18644</a>	Conduit connector, 3/8 X 90	2	
6	<a href="#">51831</a>	Pump conduit bracket	2	
7	<a href="#">55757</a>	Oil return line assembly	1	
8	<a href="#">16808</a>	-Fitting sleeve	2	
9	<a href="#">16809</a>	-Fitting nut	2	
10	<a href="#">17407</a>	Elbow connector, 1/2, male	2	
11	<a href="#">55435</a>	Disconnect to pump tube assembly(S/N KH031JJ and lower)	1	
12	<a href="#">62009</a>	Disconnect to pump tube assembly(S/N KH032JJ to AH086JB)	1	
13	<a href="#">24225</a>	Disconnect to pump tube assembly (S/N AH086JB to AP0401001)	1	
14	<a href="#">16808</a>	-Fitting sleeve	1	
15	<a href="#">16809</a>	-Fitting nut	1	
16	55434	Disconnect to pump tubing (S/N KH031JJ and lower)	1	
17	66676	Disconnect to pump tubing (S/N KH032JJ to AP0401001)	1	



For the most up-to-date parts information, visit  
<https://parts.hennypennyhelp.com>.

Item No.	Part No.	Description	Qty.	Stocking Level
18	<a href="#">69289</a>	- Filter union assembly (S/N KH031JJ and lower)	1	
19	<a href="#">17334</a>	- Disconnect, right, male (S/N KH032JJ to AH086JB)	1	
20	<a href="#">17430</a> (use <a href="#">69289</a> )	- Fitting union, male (S/N AH086JB to AP0401001)	1	A
21	<a href="#">67583</a>	Filter pump motor, 1/2 HP	1	A
22	<a href="#">62050</a>	Nipple, 1/4 NPT X 2.0	1	
23	<a href="#">52125</a>	Air solenoid valve, 120V	1	A
23	<a href="#">54908</a>	Air solenoid valve, 240V	1	A
24	<a href="#">FP02-024</a>	Nipple, 3/8, close	1	
25	<a href="#">16807</a>	Fitting connector, male	1	
26	<a href="#">54486</a>	Flexible conduit air valve	1	
27	<a href="#">FP01-122</a>	Reducer, 3/8 to 1/2	1	
28	<a href="#">35472</a>	Pressure check valve	1	A
29	<a href="#">FP02-007</a>	Nipple 3/8 X 1-1/2	1	
30	<a href="#">171168</a>	Pump subassembly, 5 GPM	1	B
31	<a href="#">171170</a>	Pump rotor	1	A
32	<a href="#">171169</a>	Teflon roller set (5 pieces)	1	A
33	<a href="#">162498</a>	Pump gasket o-ring	1	A
34	<a href="#">SC01-132</a>	Cap screw, socket, 1/4-20 X 5/8	4	A



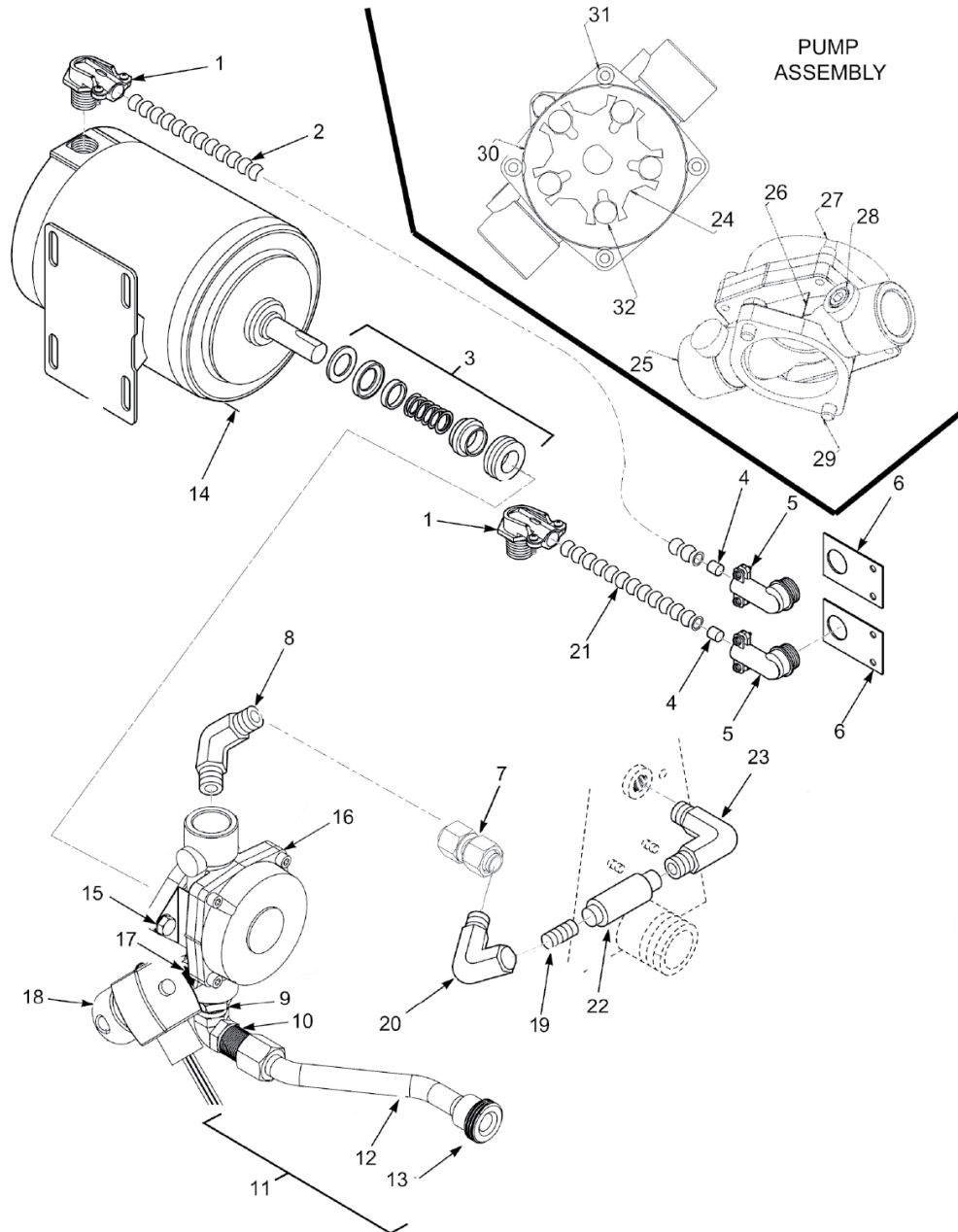
For the most up-to-date parts information, visit  
<https://parts.hennypennyhelp.com>.

Item No.	Part No.	Description	Qty.	Stocking Level
35		Pump body (not sold separately)	1	A
36		Pump shield and screw not available on Haight pumps		
37	171171	Pump cover	1	A
38	FP01-020	Hex plug, 1/4 countersunk	1	A
39		Pump shield and screw not available on Haight pumps		
<b>Recommended Parts: A = Truck Stock; B = Dist. Stock</b> <b>* = Not Shown</b>				



For the most up-to-date parts information, visit  
<https://parts.hennypennyhelp.com>.

### SN: LH029JC and Above



Item No.	Part No.	Description	Qty.	Stocking Level
1	18107	Conduit connector, 3/8 X 90	2	



For the most up-to-date parts information, visit  
<https://parts.hennypennyhelp.com>.

Item No.	Part No.	Description	Qty.	Stocking Level
2	<a href="#">54484</a>	Blower/pump flexible conduit	1	
3	<a href="#">17476</a>	Pump seal kit	1	A
4	<a href="#">18105</a>	Anti short, 3/8 in	2	
5	<a href="#">18644</a>	Conduit connector, 3/8 X 90	2	
6	<a href="#">51831</a>	Pump conduit bracket	2	
7	<a href="#">65080</a>	Pump to check valve tube assembly	1	
8	<a href="#">FP01-169</a>	Connector, 90 male, 3/4 tube, 3/4 NPT	1	
9	<a href="#">FP01-089</a>	Reducing bushing, 3/4 male to 1/2	1	
10	<a href="#">17407</a>	Elbow connector, 1/2, male	1	
11	<a href="#">14668</a>	Filter pump return line kit	1	
12	-	Included in filter pump return line kit	1	
13	<a href="#">17430</a> (use <a href="#">69289</a> )	-Union fitting, male	1	A
14	<a href="#">67583</a>	Filter pump motor, 1/2 HP	1	A
15	<a href="#">LW02-014</a>	Lockwasher, 5/16, star, international	1	
16	<a href="#">162497</a>	Filter pump assembly, 8 GPM	1	B
17	<a href="#">62050</a>	Nipple, 1/4 NPT X 2.0	1	
18	<a href="#">52125</a>	Air solenoid valve, 120V	1	A
18	<a href="#">54908</a>	Air solenoid valve, 240V	1	A
19	<a href="#">FP02-037</a>	Nipple, 3/4 X 2.5, large, BI	1	



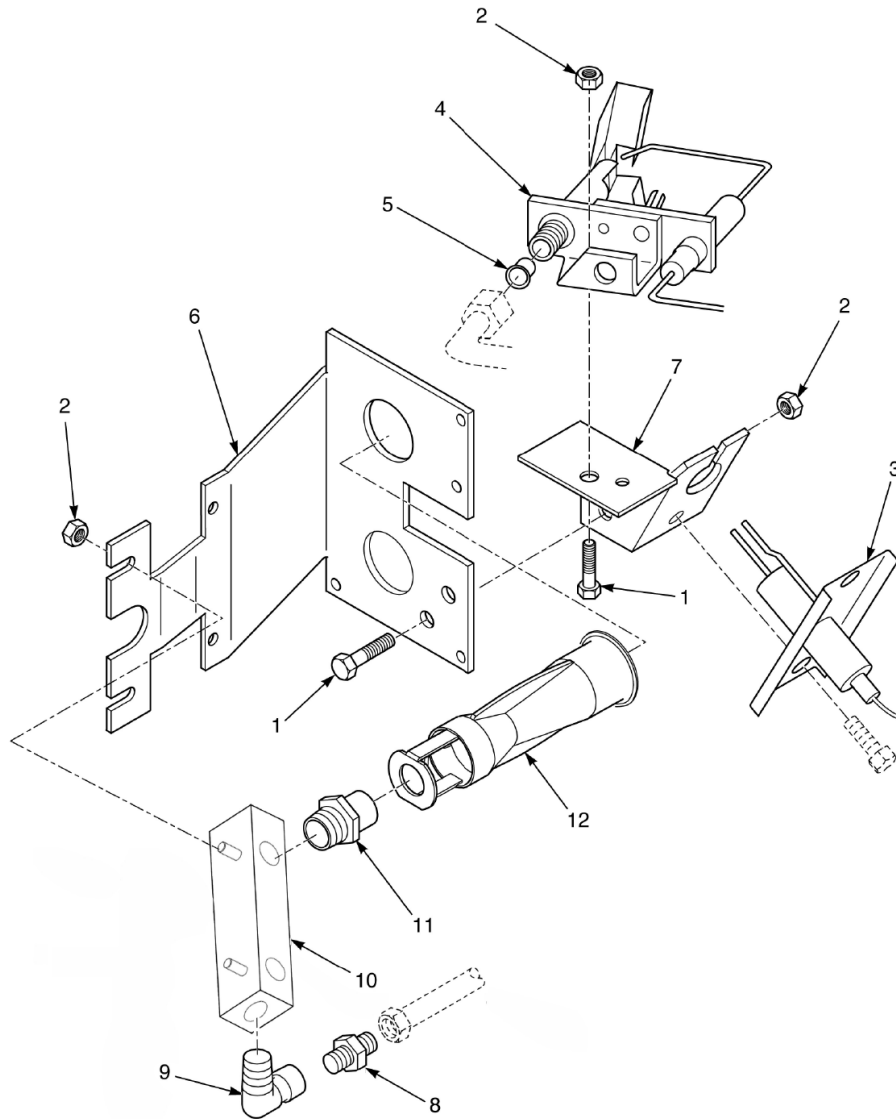
For the most up-to-date parts information, visit  
<https://parts.hennypennyhelp.com>.

Item No.	Part No.	Description	Qty.	Stocking Level
20	<a href="#">FP01-168</a>	Connector, 90 female, 3/4 tube, 3/4 NF	1	
21	<a href="#">54486</a>	Air valve, flexible conduit	1	
22	<a href="#">21800</a>	Check valve, 3/4	1	A
23	<a href="#">FP01-173</a>	Elbow, 3/4 NPT X 90, male, nickel	1	
24	<a href="#">162500</a>	Pump rotor, 8 GPM, Haight pump only	1	A
25		Pump body not sold separately, order <a href="#">162497</a>	1	A
26		Pump shield and screw not available on Haight pumps		
27		Pump cap not sold separately, order <a href="#">162497</a>		
28	<a href="#">FP01-020</a>	Hex plug level seal, 1/4-18	1	A
29		Pump shield and screw not available on Haight pumps		
30	<a href="#">162498</a>	Pump gasket o-ring	1	A
31	<a href="#">SC01-132</a>	Cap screw, socket, 1/4-20 X 5/8	4	A
32	<a href="#">162501</a>	Pump roller set, 8 GPM, Haight pump only, set of 5	1	A
<b>Recommended Parts: A = Truck Stock; B = Dist. Stock</b> <b>* = Not Shown</b>				



For the most up-to-date parts information, visit  
<https://parts.hennypennyhelp.com>.

## Gas Burner Assembly





For the most up-to-date parts information, visit  
<https://parts.hennypennyhelp.com>.

Item No.	Part No.	Description	Qty.	Stocking Level
1	<a href="#">SC01-084</a>	Hex screw, #10-32 X 3/8	8	
2	<a href="#">NS02-001</a>	Hex keps nut, #10-32, coated	8	
3	<a href="#">88254</a>	Flame sensor (AP1101001 and after)	2	A
4	N/A	Pilot Assembly (before BT1101001, see Kit chart below)		
4	<a href="#">86940-001</a>	Pilot assembly, left, natural (AP1101001 and after)	1	A
4	<a href="#">86940-002</a>	Pilot assembly, right, natural (AP1101001 and after)	1	A
4	<a href="#">86940-003</a>	Pilot assembly, left, LP (AP1101001 and after)	1	A
4	<a href="#">86940-004</a>	Pilot assembly, right, LP (AP1101001 and after)	1	A
4	<a href="#">21333</a>	Pilot and ignitor assembly, LP	2	
5	<a href="#">54877</a>	- Pilot orifice, natural, CE	2	
5	<a href="#">60614</a>	-Pilot orifice, LP (propane butane mix), CE	2	
6	<a href="#">51735</a>	- Burner mounting bracket	2	
7	<a href="#">56708</a>	- Bracket OBSOLETE- Use Kits listed below	2	
8	<a href="#">FP05-010</a>	- Connector tube, 3/8 to 1/4 NPT	2	
9	<a href="#">FP01-117</a>	- Street elbow, 1/4 NPT B.I.	2	
10	<a href="#">14852</a>	- Gas manifold kit	2	
10	<a href="#">69919</a>	- Gas manifold	2	



For the most up-to-date parts information, visit  
<https://parts.hennypennyhelp.com>.

Item No.	Part No.	Description	Qty.	Stocking Level
11	<a href="#">51725</a>	- Burner orifice, natural	2	
11	<a href="#">51730</a>	- Burner orifice, LP	2	
11	55452	- Burner orifice, natural, CE	2	
11	<a href="#">55453</a>	- Burner orifice, LP, CE	2	
11	<a href="#">56219</a>	- Burner orifice, Propane/Butane mix	2	
11	<a href="#">40905</a>	- Burner orifice, LP butane mix (70% propane 30% butane)	2	
11	<a href="#">56637</a>	- Burner orifice, natural, Japan	2	
12	<a href="#">52066</a>	- Burner inshot	4	
13*	<a href="#">14221</a>	- Conversion kit, LP to natural	1	C
13*	<a href="#">14222</a>	- Conversion kit, natural to LP	1	C
13*	<a href="#">14269</a>	-Conversion kit, LP to natural, Japan	1	C
13*	<a href="#">14321</a>	- Conversion kit, LP to natural, CE	1	C
13*	<a href="#">14322</a>	- Conversion kit, natural to LP, CE	1	C
14*	54902	Burner wire guard (S/N HH001JJ and below)	2	

Recommended Parts: A = Truck Stock; B = Dist. Stock  
 \* = Not Shown

### Pilot Retrofit Kits

Kit Number	Description	Qty.
<a href="#">140131</a>	KIT- RETROFIT PILOT NAT W/ TUBES (before SN:	1



For the most up-to-date parts information, visit  
<https://parts.hennypennyhelp.com>.

Kit Number	Description	Qty.
	AP0506015)	
140095	KIT- RETROFIT- PILOT NAT (SN:AP0506015-AP1101001)	1
140132	KIT- RETROFIT- PILOT LP W/ TUBES (before SN: AP0506015)	1
140123	KIT- RETROFIT- PILOT LP (SN:AP0506015-AP1101001)	1

All Retrofit kits include both right and left hand pilot assemblies and flame sensor





For the most up-to-date parts information, visit  
<https://parts.hennypennyhelp.com>.

Item No.	Part No.	Description	Qty.	Stocking Level
2	<a href="#">FP05-010</a>	Fitting tube, 3/8 to 1/4 NP	2	
3	<a href="#">65173</a>	Manifold tube, left	1	
4	<a href="#">65173</a>	Manifold tube, right	1	
5	<a href="#">FP01-115</a>	Nipple, 3/8 to 1/2 NP	2	
6	<a href="#">FP01-112</a>	Pipe tee, female, 1/2 NPT, B.I.	1	
7	<a href="#">54875</a>	Module cover	1	
8	<a href="#">52785</a>	Burner shield assembly	2	
8	<a href="#">68536</a>	Burner shield stud assembly	2	
8	<a href="#">51731</a>	Burner standoff	8	
9	<a href="#">69441</a>	Left burner pilot tube	1	
10	<a href="#">82491</a>	Right burner pilot tube	1	
11	<a href="#">FP05-011</a>	Compr tee, 1/4 X 1/4 X 1/4 BR	1	
12	<a href="#">69442</a>	Valve to tee pilot tube	1	
12	<a href="#">88228</a>	Pilot tube service pack, right	1	
13*	<a href="#">21452</a>	Gas valve assembly, 24 VAC, natural, CE	1	B
13*	<a href="#">21453</a>	Gas valve assembly, 24 VAC, LP, CE	1	B
14	<a href="#">38468-001</a>	- Solenoid gas valve, 24 VAC, 60 HZ, non-CE (S/N IH024JJ & above)	1	A
14	<a href="#">176164</a>	- Solenoid gas valve service pack, 24VAC, 50 HZ, CE (S/N IH024JJ & above)	2	A
15	<a href="#">FP01-028</a>	- Close nipple 1/2 NPT, SS 1L	1	



For the most up-to-date parts information, visit  
<https://parts.hennypennyhelp.com>.

Item No.	Part No.	Description	Qty.	Stocking Level
16	<a href="#">80858</a>	Gas valve, LP, non-CE (S/N BT0907001 & above)	1	B
16	<a href="#">80761</a>	- Gas valve, Natural, non-CE (S/N: AP0907006 & above)	1	B
16	<a href="#">140042</a>	Gas valve kit with safety valve, Natural/LP, non-CE (S/N AP0907005 & below)	1	B
16	<a href="#">140056</a>	Gas valve kit without safety valve, Natural/LP, non-CE (S/N AP0907005 & below)	1	B
16	<a href="#">140767</a>	Gas valve kit, Natural, CE (S/N AP2202101 & below)	1	B
16	184342-001	Gas valve, Natural, CE (S/N AP2202102 & above)	1	B
16	<a href="#">140768</a>	Gas valve kit, LP, CE (S/N AP2202101 & below)	1	B
16	184342-002	Gas valve, LP, CE (S/N AP2202102 & above)	1	B
17	<a href="#">52122</a>	Main gas supply line assembly	1	
17	76333	Main gas supply line assembly, CE (6-14-07 & after)	1	
17*	<a href="#">03747</a>	Gas flex line with installation kit, 2 swivel, 48 in. Length, 3/4 in. Diameter.	1	
17*	<a href="#">03752</a>	Gas flex line with installation kit, 2 swivel, 36 in. Length, 3/4 in. Diameter.	1	



For the most up-to-date parts information, visit  
<https://parts.hennypennyhelp.com>.

Item No.	Part No.	Description	Qty.	Stocking Level
18	<a href="#">59189</a>	Module enclosure study assembly	1	
19	<a href="#">51741</a>	Gas valve wire cover	1	
19	<a href="#">82232</a>	Front gas valve cover ( SN: AP0907005 & after)	1	
20	<a href="#">16335</a>	Male connector, 5/8 in tube 37° flare, 1/2 NPT	1	
20	<a href="#">FP01-200</a>	Male connector, 5/8 in tube 37° flare, 1/2 BSPT	1	
21	<a href="#">FP01-078</a>	Reducer, 3/4 NPT male, 1/2 NPT female	1	
22	<a href="#">16336</a>	Male elbow, 5/8 in tube 37° flare, 1/2 NPT	1	
23*	<a href="#">161559</a>	Quick disconnect valve, 3/4 NPT	A/R	
24*	<a href="#">FP02-052</a>	1/2 X 4 long, black iron, pipe nipple - gas valve nipple	1	
25*	<a href="#">FP01-127</a>	1/2 X 1/2 X 90° street elbow - gas valve elbow, attaches to <a href="#">FP02-052</a>	1	

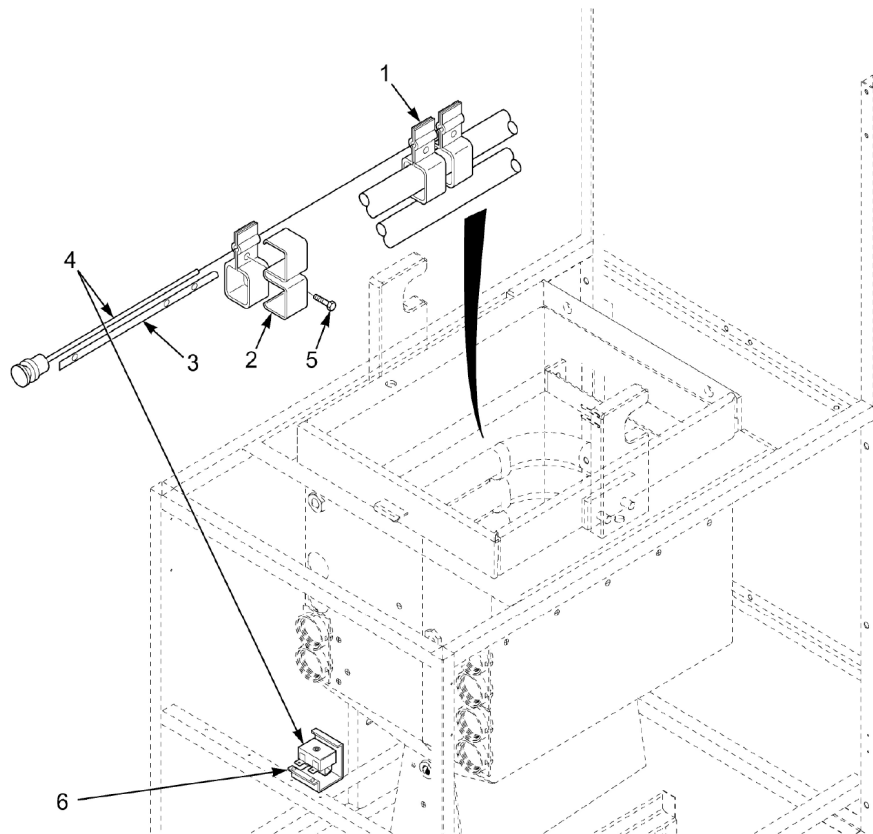
**Recommended Parts: A = Truck Stock; B = Dist. Stock**  
**\* = Not Shown**



For the most up-to-date parts information, visit  
<https://parts.hennypennyhelp.com>.

## High Limit Assembly

### Bulb and Cap High Limit Assembly - AP2406072 and Before



Item No.	Part No.	Description	Qty.	Stocking Level
1	<a href="#">54480</a>	High limit sensing bulb bracket assembly	3	
2	<a href="#">62051</a>	Heat tube spreader clip	6	
3	<a href="#">53670</a>	High limit spacer	1	
4	<a href="#">16738</a>	High limit, 450, non-CE	1	A
4	<a href="#">60241</a>	High limit, 425, CE	1	A

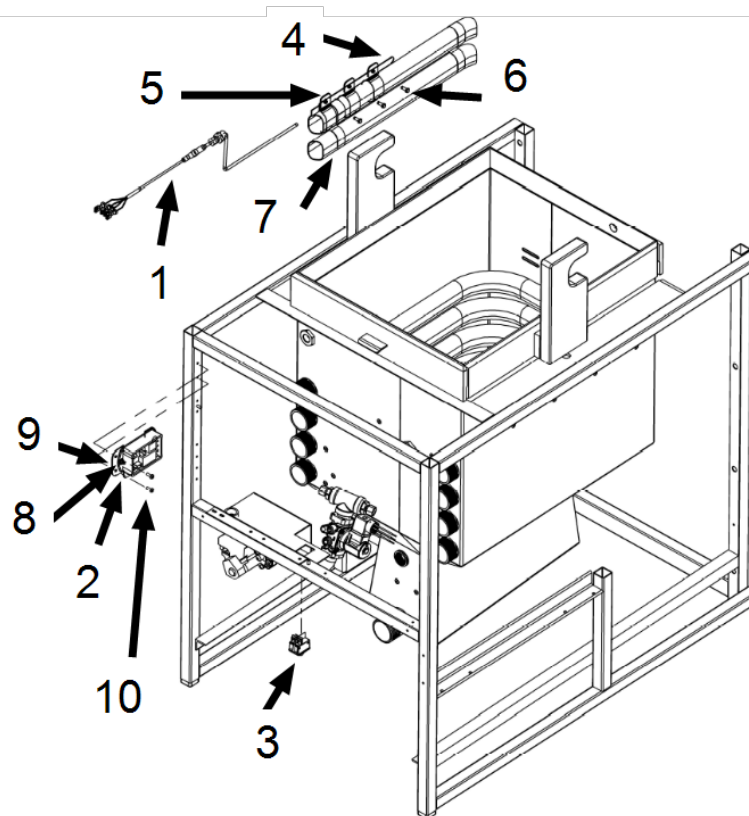


For the most up-to-date parts information, visit  
<https://parts.hennypennyhelp.com>.

Item No.	Part No.	Description	Qty.	Stocking Level
5	<a href="#">SC01-211</a>	Hex screw, #10-32 X 1/2 IND, SS	3	
6	<a href="#">17216</a>	High limit bracket assembly	1	
7*	<a href="#">16268</a>	Thermocouple vat fitting (for high limit)	1	

Recommended Parts: A = Truck Stock; B = Dist. Stock  
 \* = Not Shown

### Electric Dual High Limit Assembly - AP2406073 and After





For the most up-to-date parts information, visit  
<https://parts.hennypennyhelp.com>.

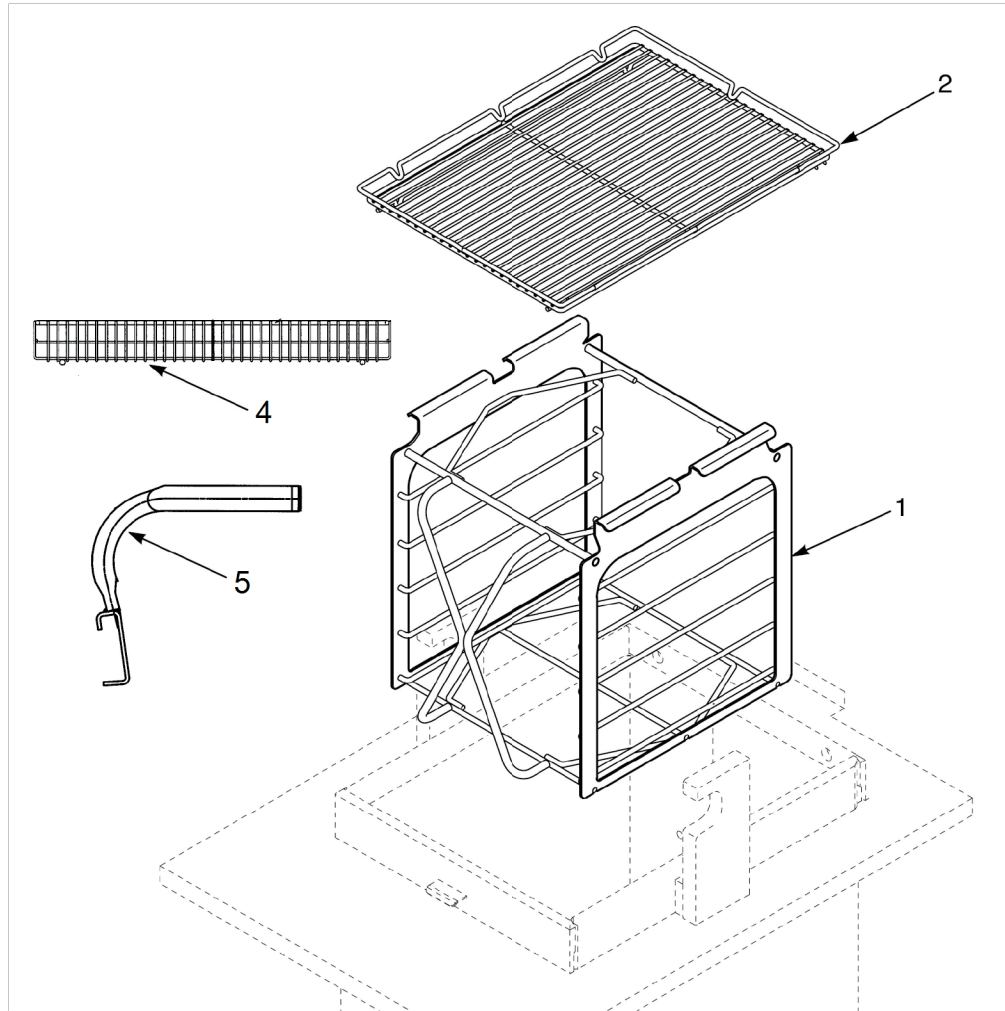
Item No.	Part No.	Description	Qty.	Stocking Level
1	<a href="#">179286</a>	Dual Hi-Limit Thermocouple probe	1	A
2	<a href="#">175915-009</a>	Kit-dual Hi-Limit Thermocouple module	1	A
3	<a href="#">157360</a>	High limit reset switch, NC	1	A
4	<a href="#">53670</a>	High limit spacer	1	
5	<a href="#">54480</a>	High limit probe bracket	3	
6	<a href="#">SC01-211</a>	Hex screw, #10-32 X 1/2 IND, SS	3	
7	<a href="#">62051</a>	Heat tube spreader clip	6	
8	<a href="#">NS02-005</a>	Hex keps nuts, 6-32	A/R	
9	186049	Hi-Limit module bracket	1	
10	<a href="#">SC03-005</a>	Screw, #8 X 1/2, Philips	A/R	
11*	140849	Kit-69X electric high limit upgrade		

**Recommended Parts: A = Truck Stock; B = Dist. Stock**  
**\* = Not Shown**



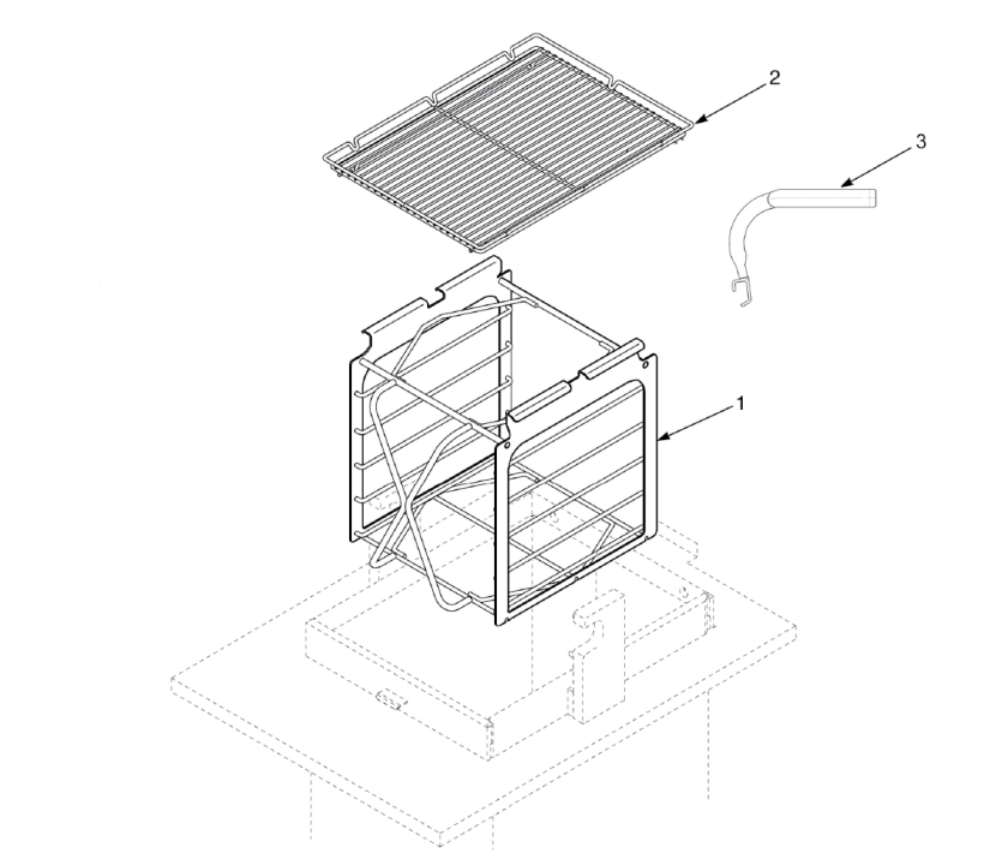
For the most up-to-date parts information, visit  
<https://parts.hennypennyhelp.com>.

## Carrier and Racks Assembly





For the most up-to-date parts information, visit  
<https://parts.hennypennyhelp.com>.

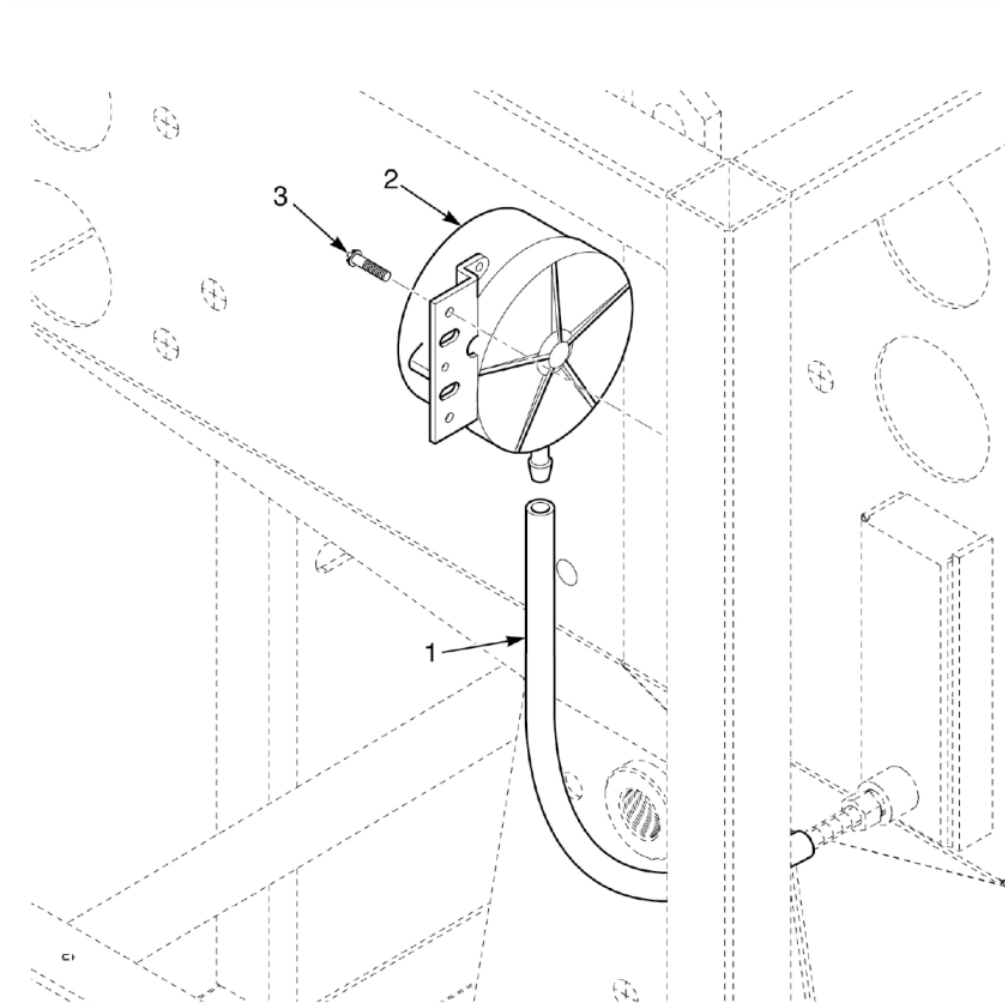


Item No.	Part No.	Description	Qty.	Stocking Level
1	<a href="#">62183</a>	Carrier assembly	1	
2	<a href="#">44782</a>	1/2 size rack	5	
2	<a href="#">67461</a>	1/2 size rack, coated	5	
4	<a href="#">36404</a>	Wire basket, optional	A/R	
5	<a href="#">36374</a>	Wire basket handle, optional	A/R	
<b>Recommended Parts: A = Truck Stock; B = Dist. Stock</b> <b>* = Not Shown</b>				



For the most up-to-date parts information, visit  
<https://parts.hennypennyhelp.com>.

## Vacuum Switch



Item No.	Part No.	Description	Qty.	Stocking Level
1	<a href="#">60202</a>	Vacuum switch tube	1	
2	<a href="#">14240</a>	Vertical vacuum switch kit	1	A
2	<a href="#">72514</a>	- Vertical vacuum switch	1	A



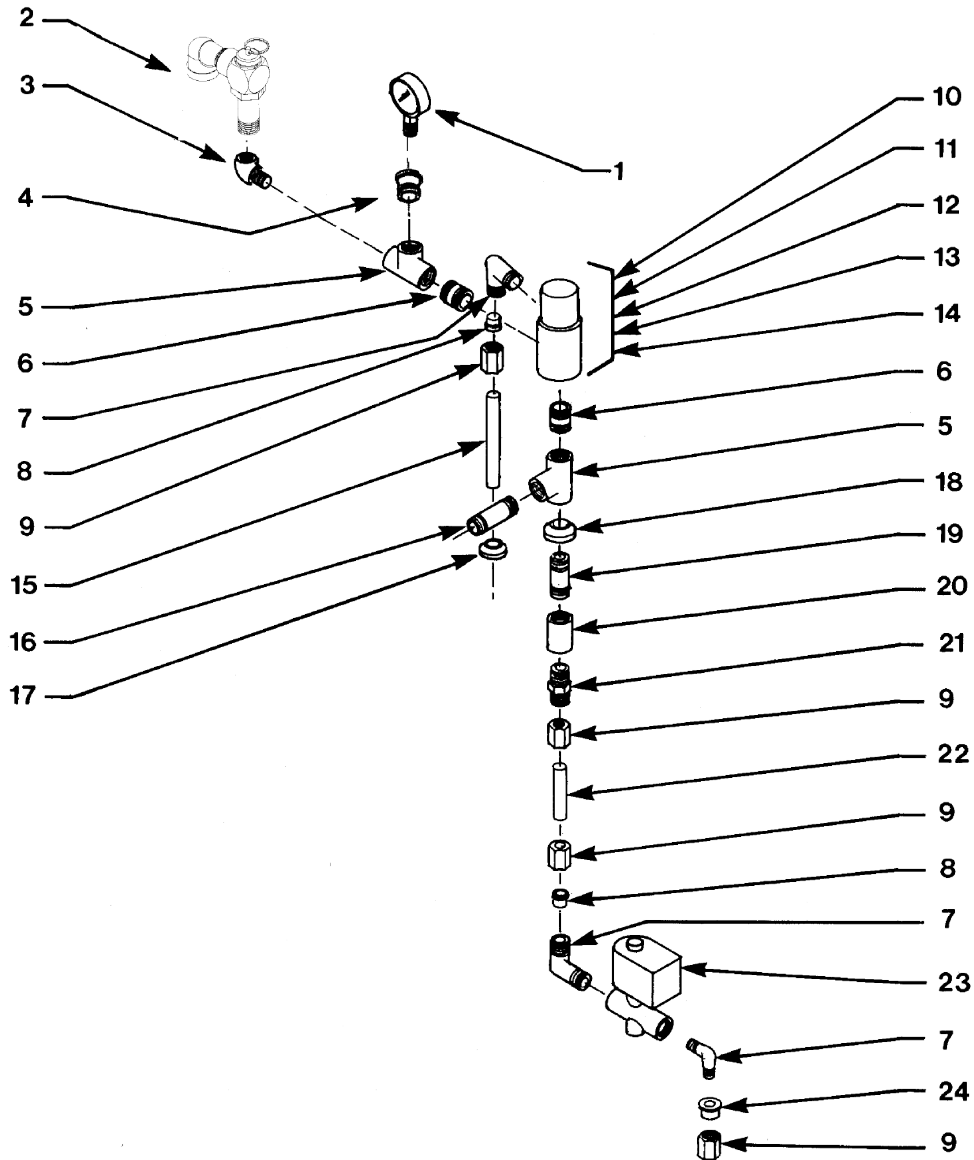
For the most up-to-date parts information, visit  
<https://parts.hennypennyhelp.com>.

Item No.	Part No.	Description	Qty.	Stocking Level
3	<a href="#">SC03-005</a>	Screw, SD, #8 X 1/2, CT	3	
<p>Recommended Parts: A = Truck Stock; B = Dist. Stock            * = Not Shown</p>				



For the most up-to-date parts information, visit  
<https://parts.hennypennyhelp.com>.

## Deadweight and Solenoid Assembly



Item No.	Part No.	Description	Qty.	Stocking Level
1	16910	Pressure gauge	1	A



For the most up-to-date parts information, visit  
<https://parts.hennypennyhelp.com>.

Item No.	Part No.	Description	Qty.	Stocking Level
1	<a href="#">174091</a>	Pressure gauge, metric kPa (Hong Kong)	1	A
2	<a href="#">59742</a>	Relief valve assembly	1	A
3	<a href="#">FP01-127</a>	Street elbow, 12; X 12;, 90 degree	1	
4	<a href="#">FP01-063</a>	Reducer, 12; NPT male TO 14; NPT female	1	
5	<a href="#">FP01-011</a>	Pipe tee, 304, NPTSS	2	
6	<a href="#">FP01-028</a>	Close nipple, NPT	2	
7	<a href="#">17407</a>	Male elbow connector	3	
8	<a href="#">16817</a>	Sleeve fitting, teflon	A/R	
9	<a href="#">16809</a>	Nut fitting	A/R	
10	<a href="#">56307</a>	Dead weight cap	1	
11	<a href="#">16902</a>	Seal O-ring	1	
12	<a href="#">16903</a>	Deadweight, 12 PSI	1	C
12	<a href="#">16904</a>	Deadweight, 9 PSI	1	C
12	<a href="#">65449</a>	Deadweight, 3 PSI	1	C
12	<a href="#">81343</a>	Deadweight, 11 PSI	1	C
12	<a href="#">32729</a>	Deadweight, 7 PSI	1	C
13	<a href="#">16918</a>	Orifice, 12 PSI	1	
13	<a href="#">16906</a>	Orifice, 9 PSI		
14	<a href="#">93901</a>	Valve body	1	
15	<a href="#">35686</a>	Deadweight to exhaust stack tube	1	



For the most up-to-date parts information, visit  
<https://parts.hennypennyhelp.com>.

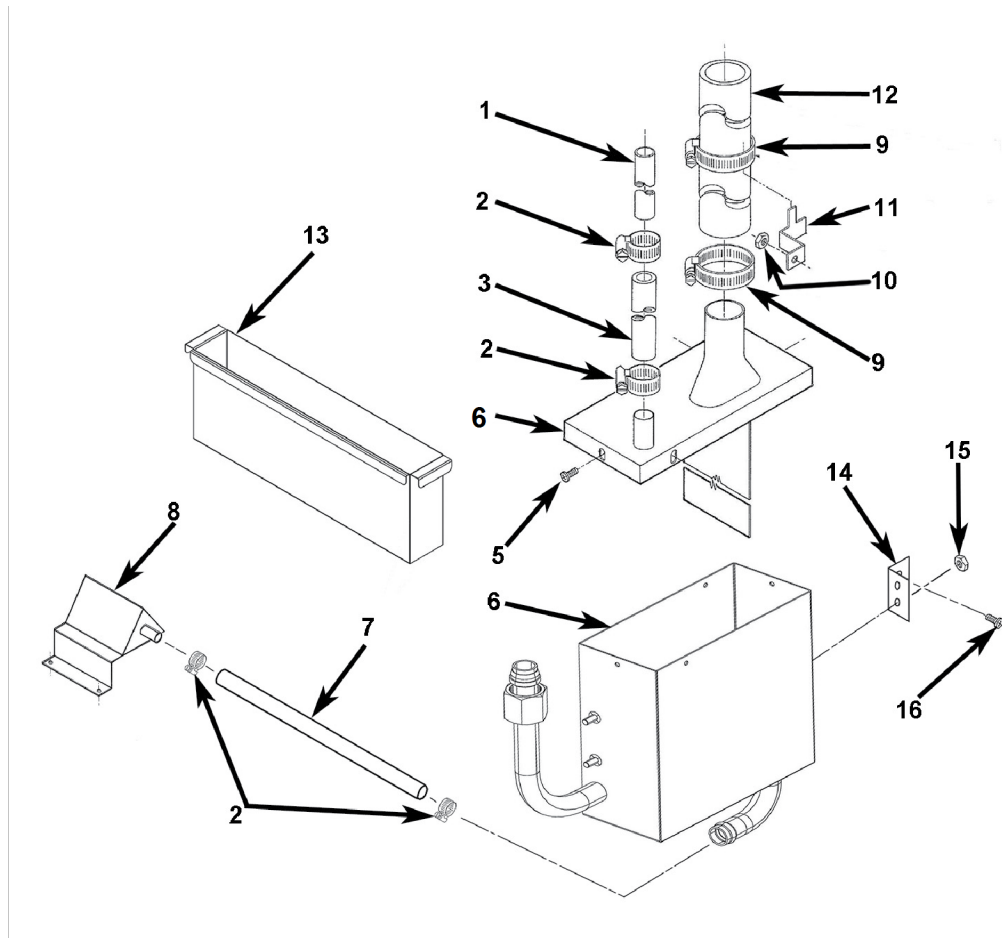
Item No.	Part No.	Description	Qty.	Stocking Level
16	<a href="#">35817</a>	Pipe nipple, X 2 SS	1	
17	<a href="#">16804</a>	Umbrella grommet	1	
18	<a href="#">35200</a>	Umbrella grommet	1	
19	<a href="#">35474</a>	Pipe nipple,, X 2	1	
20	FP01-080	Coupling, 1/2 NPT, SS	1	
21	<a href="#">16807</a>	Male fitting connector	1	
22	<a href="#">70475</a>	Condensation tube	1	
23		See <a href="#">Solenoid Valve Assembly</a>		
24	<a href="#">FP01-028</a>	Sleeve fitting, Teflon	1	
25	<a href="#">16912</a>	Deadweight assembly decal	1	
26*	<a href="#">140463</a>	Pressure test gauge kit	1	
<b>Recommended Parts: A = Truck Stock; B = Dist. Stock</b> * = Not Shown A/R = As Required				



For the most up-to-date parts information, visit  
<https://parts.hennypennyhelp.com>.

## Steam Box and Hose Assembly

SN: AP0802029 and Above



Item No.	Part No.	Description	Qty.	Stocking Level
1	<a href="#">35686</a>	Deadweight to exhaust stack tube, SS	1	
2	<a href="#">MS01-297</a>	Hose clamp, - .500 - 1.062 DID, SS	4	
3	<a href="#">35693</a>	Exhaust connect tube	1	
4	<a href="#">86969</a>	Steam box assembly	1	



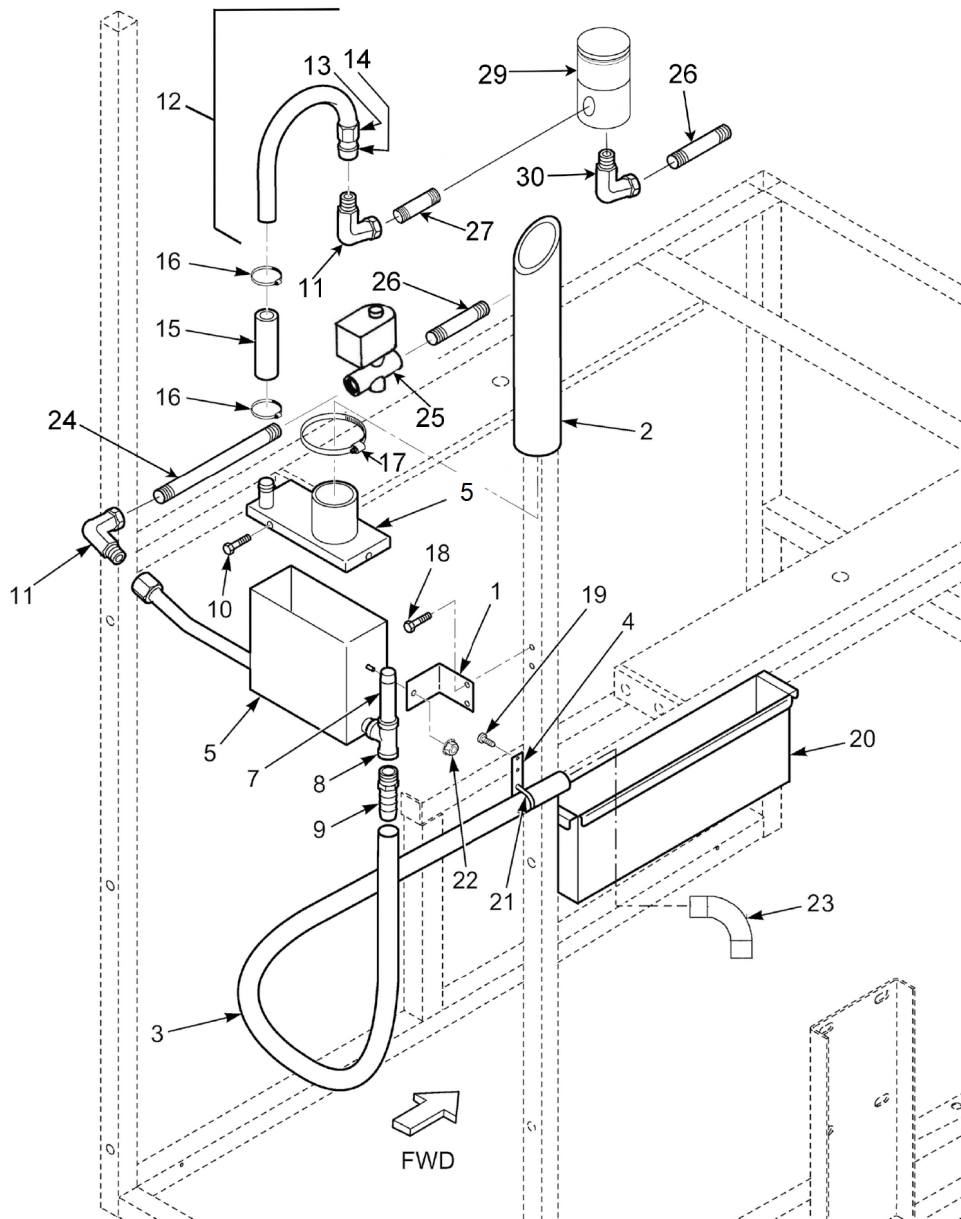
For the most up-to-date parts information, visit  
<https://parts.hennypennyhelp.com>.

Item No.	Part No.	Description	Qty.	Stocking Level
5	<a href="#">SC02-041</a>	Screw, #8-18 X 7/16, CT IND external TRX	4	
6	<a href="#">86969</a>	Steam exhaust box weldment	1	
7	<a href="#">82516</a>	Condensate hose	1	
8	<a href="#">69263</a>	Restrictor	1	
9	<a href="#">MS01-315</a>	Hose clamp, 1/2 X 1-3/4, SS	2	
10	NS01-011	Hex nut, #10-32	1	
11	<a href="#">36851</a>	Hose bracket	1	
12	<a href="#">21877</a>	Steam exhaust tubing	4	
13	<a href="#">71409</a>	Condensate pan weldment	1	
14	<a href="#">70471</a>	Bracket	2	
15	<a href="#">NS02-006</a>	Nut	4	
16	<a href="#">SC03-010</a>	Screw	4	
Recommended Parts: A = Truck Stock; B = Dist. Stock				



For the most up-to-date parts information, visit  
<https://parts.hennypennyhelp.com>.

SN: AP0802028 and Below



Item No.	Part No.	Description	Qty.	Stocking Level
1	56335	Condensate box bracket	1	



For the most up-to-date parts information, visit  
<https://parts.hennypennyhelp.com>.

Item No.	Part No.	Description	Qty.	Stocking Level
2	<a href="#">21878</a>	Steam exhaust tubing	1	
2	<a href="#">42508</a>	Steam exhaust tubing (units built before 8/98)	1	
3	<a href="#">51748</a>	Condensate drain hose	1	
4	<a href="#">52056</a>	Condensate hose bracket	3	
5	<a href="#">87822</a>	Steam condensate box	1	
5	<a href="#">52104</a>	Condensate box weldment (S/N CH050II and below)	1	
7	<a href="#">FP02-030</a>	Nipple, 3/8 NPT X 3, large BI	1	
8	<a href="#">FP01-121</a>	Tee, 3/8 NPT, female N1	1	
9	<a href="#">FP01-120</a>	Barb fitting, 3/8 NPT, male, brass	1	
10	<a href="#">SC02-041</a>	Screw, #8-32 X 7/16, CT, IND, external,TRX	4	
11	<a href="#">FP01-118</a>	Elbow, 5/8 tube, 1/2 NPT, female	2	
12	<a href="#">52185</a>	Deadweight/steam tube assembly	1	
13	<a href="#">16809</a>	- Nut fitting	1	
14	<a href="#">16808</a>	- Sleeve fitting	1	
15	<a href="#">52124</a>	Deadweight to exhaust hose	1	
16	<a href="#">MS01-297</a>	Hose clamp, .562-1.062 D1D, SS	2	
17	<a href="#">MS01-307</a>	Hose clamp, 2-1/2-3 inch, SS	1	
18	<a href="#">SC03-010</a>	Hex screw, 1/4-20 X 3/4, GS	2	



For the most up-to-date parts information, visit  
<https://parts.hennypennyhelp.com>.

Item No.	Part No.	Description	Qty.	Stocking Level
19	<a href="#">SC03-005</a>	Screw	2	
20	<a href="#">71409</a>	Condensate pan	1	
21	<a href="#">EF02-037</a>	Clamp, 1 ID X 1/2 WD	1	
22	<a href="#">NS02-006</a>	Nut	1	
23	<a href="#">68534</a>	Condensation drain elbow, 5/8	1	
24	<a href="#">FP02-020</a>	Nipple, 1/2 NPT X 5 in	1	
25	-	See Solenoid Valve Assembly	-	
26	<a href="#">16226</a>	Nipple, 1/2 X 3-1/2 in	2	
27	<a href="#">35474</a>	Nipple, 1/2 X 2 (SN: IH066J and below)	1	
27	<a href="#">FP01-061</a>	Nipple, 1/2 X 2-1/2, SS (SN: IH067J and above)	1	
28*	<a href="#">FP01-029</a>	Reducer, 1/2 NPT, male, 3/8 NPT, female (SN: IH066J and below)	1	
29	-----	Deadweight assembly	1	
30	<a href="#">16239</a>	Street ell, 1/2 X 90 degree	1	
31*	<a href="#">140103</a>	vat to steam box (steam box and solenoid valve not included (CH05011 and older))	1	
31*	<a href="#">140106</a>	Fittings and steam box (120V solenoid valve included (CH05011 and older))	1	
31*	<a href="#">140110</a>	vat to steam box (steam box and solenoid valve not included (CH05011 - AP0802028))	1	



For the most up-to-date parts information, visit  
<https://parts.hennypennyhelp.com>.

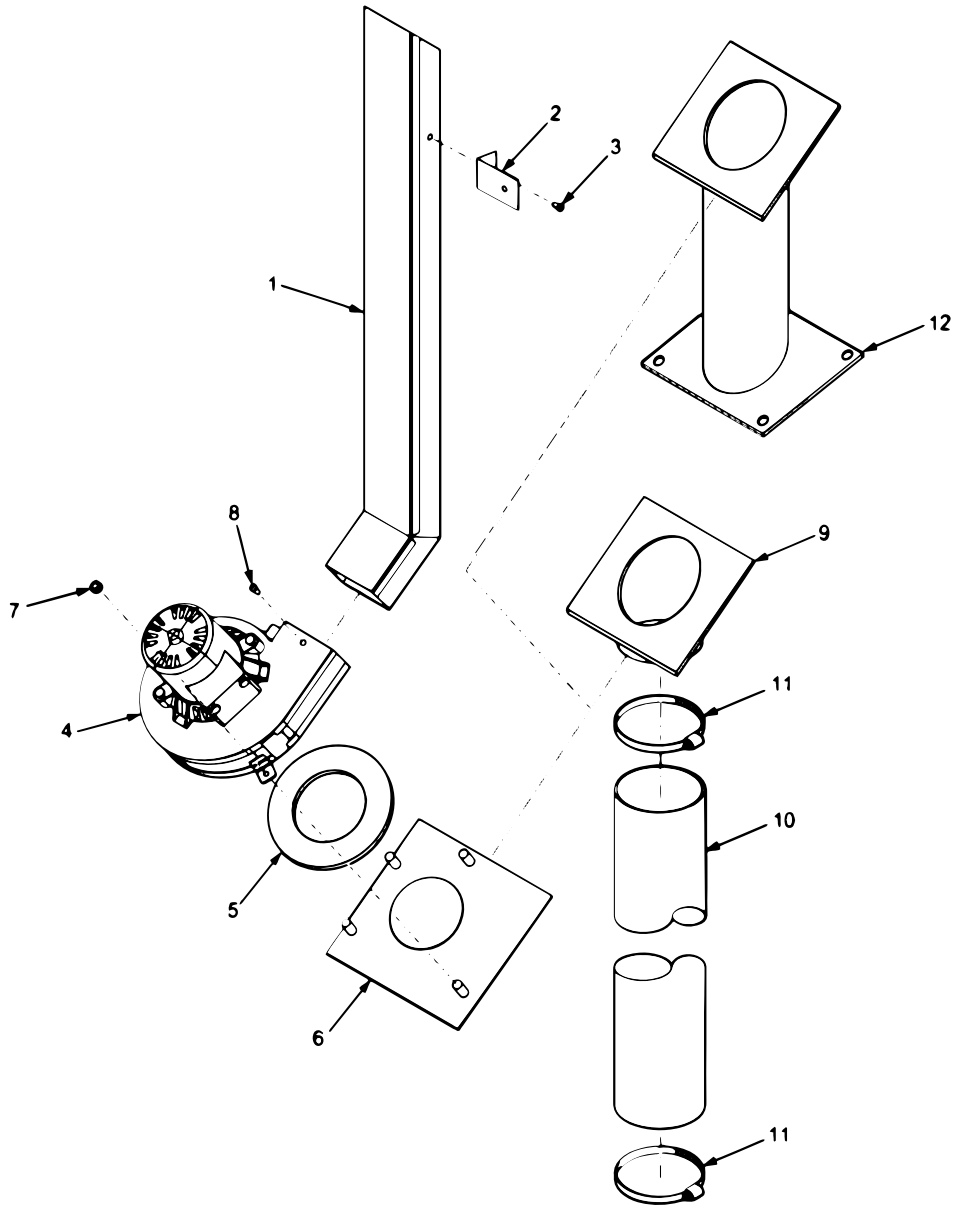
Item No.	Part No.	Description	Qty.	Stocking Level
31*	140111	Fittings and steam box (120V solenoid valve included (CH05011 - AP0802028))	1	
31*	140001	vat to steam box (steam box and solenoid valve not included (AP0802029 and newer))	1	
31*	140150	Fittings and steam box (120V solenoid valve included (AP0802029 and newer))	1	
<b>Recommended Parts: A = Truck Stock; B = Dist. Stock</b> <b>* = Not Shown</b>				



For the most up-to-date parts information, visit  
<https://parts.hennypennyhelp.com>.

## Flue and Blower Assembly

SN: AP0802028 and Below





For the most up-to-date parts information, visit  
<https://parts.hennypennyhelp.com>.

Item No.	Part No.	Description	Qty.	Stocking Level
1	<a href="#">55681</a>	Flue assembly weldment	1	
2	<a href="#">55783</a>	Flue retaining bracket	1	
3	<a href="#">SC03-005</a>	Screw, SD, #8 X 1/2, CT	2	
4	<a href="#">14420</a>	Flue exhaust blower with insulation, 120VAC	1	B
4	N/A	Flue exhaust blower with insulation, 100VAC	1	B
4	<a href="#">140759</a>	Flue exhaust blower with insulation, 240VAC	1	B
5	<a href="#">21329</a>	- Blower insulation	1	
6	<a href="#">55673</a>	Blower mounting plate stud assembly	1	
7	<a href="#">NS02-002</a>	Keps nut, 1/4-20, coated	4	
8	<a href="#">SC04-003</a>	Screw, #8-32 X 3/8, CT		
9	<a href="#">55675</a>	Insulation/blower inlet assembly, natural only	1	
10	<a href="#">52103</a>	Dilution hose/blower, national only	1	
11	<a href="#">MS01-429</a>	Hose clamp, 3 9/16-4 1/2 PL, natural only	2	
12	<a href="#">32743</a>	Dilution hose assembly, LP only	1	
13*	<a href="#">14384</a>	Flue ducts kit, butane	1	
14*	<a href="#">21980-01</a>	Dilution box assembly, natural and LP, LP Mexico, 0-3,999 feet	1	



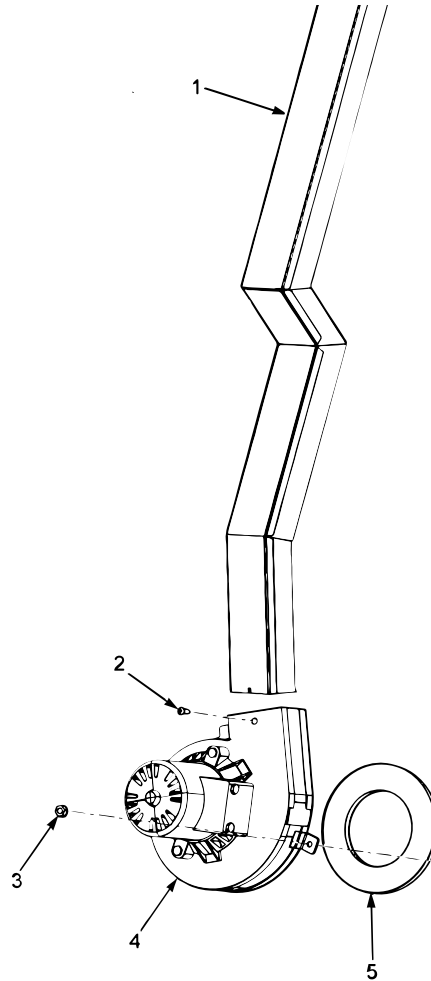
For the most up-to-date parts information, visit  
<https://parts.hennypennyhelp.com>.

Item No.	Part No.	Description	Qty.	Stocking Level
14*	<a href="#">21980-02</a>	Dilution box assembly, LP, CE, 0-3,999 feet	1	
14*	21980-03	Dilution box assembly, natural, CE, 0-3,999 feet	1	
14*	21980-04	Dilution box assembly, LP, CE, above 3,999 feet	1	
14*	21980-05	Dilution box assembly, natural, CE, above 3,999 feet	1	
15*	<a href="#">79392-01</a>	Combustion box plate, natural, 0-69 LP, 120v, 220-240v, Mauritius Island, 0-4999 feet (BT0802003 and above)	1	
15*	<a href="#">79392-02</a>	Combustion box plate, 70-100 LP, Japan, Mexico, 120v, 0-4999 feet (BT0802003 and above)	1	
15*	<a href="#">79392-03</a>	Combustion box plate, 220v-240v, CE, above 4999 feet (BT0802003 and above)	1	
<b>Recommended Parts: A = Truck Stock; B = Dist. Stock</b> <b>* = Not Shown</b>				



For the most up-to-date parts information, visit  
<https://parts.hennypennyhelp.com>.

SN: AP0802029 and Above



Item No.	Part No.	Description	Qty.	Stocking Level
1	<a href="#">70582</a>	Flue assembly weldment	1	
2	<a href="#">SC02-041</a>	External trx, #8-32 X 7/16, CT, IND	1	
3	<a href="#">NS02-002</a>	Keps nut, 1/4-20, coated	5	
4	<a href="#">14986</a>	Flue exhaust blower with insulation,120VAC	1	B



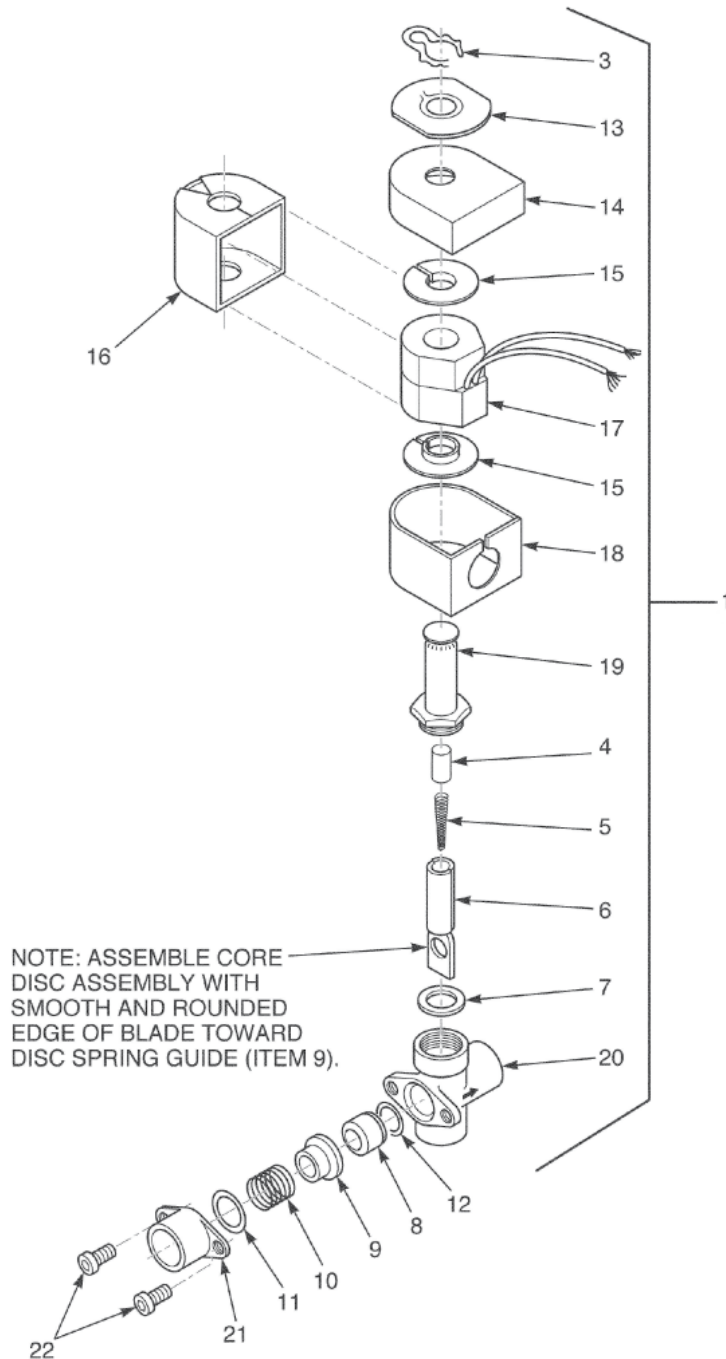
For the most up-to-date parts information, visit  
<https://parts.hennypennyhelp.com>.

Item No.	Part No.	Description	Qty.	Stocking Level
4	<a href="#">14988</a>	Flue exhaust blower with insulation,100VAC	1	B
4	<a href="#">140759</a>	Flue exhaust blower with insulation, 240VAC	1	B
5	<a href="#">21329</a>	- Blower insulation	1	
6*	<a href="#">84144</a>	Blower drip shield weldment assembly	1	
7*	<a href="#">79392-01</a>	Combustion box plate, natural, 0-69 LP, 120v, 220-240v, Mauritius Island, 0-4999 feet	1	
7*	<a href="#">79392-02</a>	Combustion box plate, 70-100 LP, Japan, Mexico, 120v, 0-4999 feet	1	
7*	<a href="#">79392-03</a>	Combustion box plate, 220v-240v, CE, above 4999 feet	1	
<b>Recommended Parts: A = Truck Stock; B = Dist. Stock</b> <b>* = Not Shown</b>				



For the most up-to-date parts information, visit  
<https://parts.hennypennyhelp.com>.

## Solenoid Valve Assembly





For the most up-to-date parts information, visit  
<https://parts.hennypennyhelp.com>.

Item No.	Part No.	Description	Qty.	Stocking Level
1	<a href="#">29515</a>	Solenoid valve, 24 VAC, 60 Hz	1	
1	<a href="#">29698</a>	Solenoid valve, 24 VAC, 50 Hz		
2*	<a href="#">17120</a>	Solenoid valve repair kit	1	A
3	- <a href="#">17101</a>	- Retainer clip	1	
4	- <a href="#">17109</a>	- Retainer spring	1	
5	- <a href="#">17110</a>	- Core spring	1	
6	- <a href="#">17111</a>	- Disc assembly core	1	
7	- <a href="#">17112</a>	- Bonnet gasket	1	
8	- <a href="#">17114</a>	- Seat, Teflon	1	
9	- <a href="#">17115</a>	- Disc spring guide	1	
10	- <a href="#">17116</a>	- Disc spring	1	
11	- <a href="#">17117</a>	- Retainer spring ring	1	
12	- <a href="#">17122</a>	- O-ring seal seat	1	
13	N/A	Solenoid name plate	1	A
14	N/A	Coil housing cover	1	A
15	N/A	Coil washer	2	A
16	N/A	Coil yoke	1	A
17	<a href="#">29547</a>	Coil, 24 VAC, 60 Hz	1	A
17	<a href="#">29575</a>	Coil, 24 VAC, 50 Hz	1	A
18	N/A	Coil housing	1	A



For the most up-to-date parts information, visit  
<https://parts.hennypennyhelp.com>.

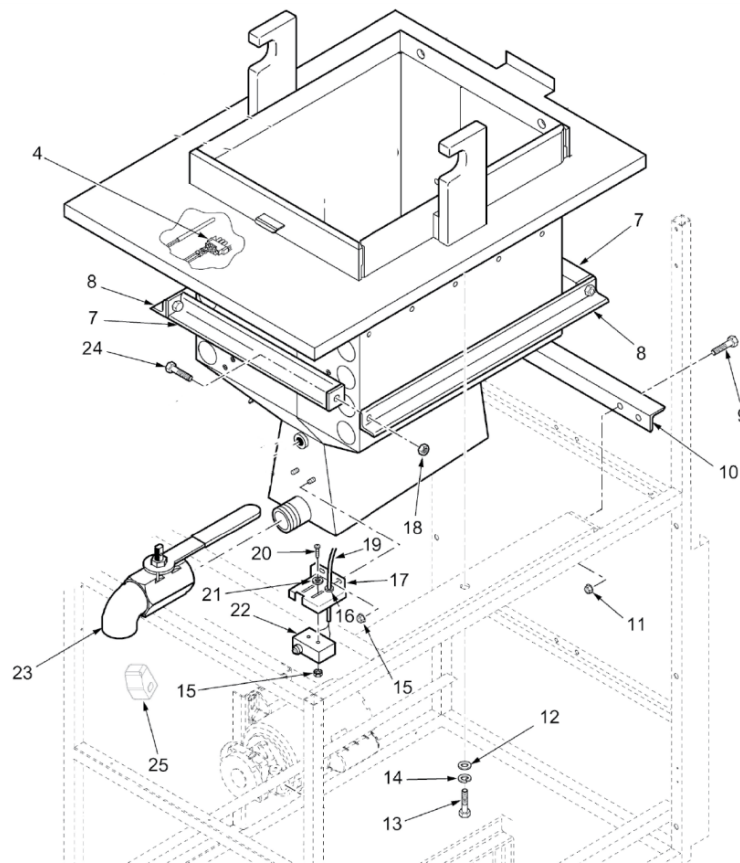
Item No.	Part No.	Description	Qty.	Stocking Level
19	N/A	Solenoid bonnet	1	A
20	N/A	Solenoid valve body	1	A
21	N/A	Pipe adapter	1	A
22	N/A	Adapter screw	2	A
24*	<a href="#">79635</a>	Lever connector, 2-wire	1	

**Recommended Parts: A = Truck Stock; B = Dist. Stock**  
**\* = Not Shown**



For the most up-to-date parts information, visit  
<https://parts.hennypennyhelp.com>.

## Vat and Drain Piping



Item No.	Part No.	Description	Qty.	Stocking Level
4	<a href="#">14330</a>	Temperature probe kit (SN below FH001JC)	1	A
4	<a href="#">140044</a>	Temperature probe kit (SN FH001JC and above)	1	A
5	<a href="#">16226</a>	Nipple, 1/2 X 3-1/2	2	
6	<a href="#">16239</a>	Elbow	1	
7	51792	Front and rear vat brace	2	



For the most up-to-date parts information, visit  
<https://parts.hennypennyhelp.com>.

Item No.	Part No.	Description	Qty.	Stocking Level
8	51790	Side vat brace	2	
9	<a href="#">SC01-022</a>	Hex screw, 1/4-20 X 3/4	4	
10	51874	Rear support	1	
11	<a href="#">NS02-002</a>	Nut, 1/4-20	4	
12	<a href="#">WA01-018</a>	Flat washer, 3/8	2	
13	<a href="#">SC01-042</a>	Hex screw, 3/8-16 X 1	2	
14	<a href="#">LW01-010</a>	Split ring lockwasher, 3/8	2	
15	<a href="#">NS02-005</a>	Hex nut, #6-32	4	
16	<a href="#">EF02-017</a>	Strain relief	1	
17	<a href="#">51891</a>	Switch bracket ( below SN: BT0404001)	1	
17	<a href="#">67618</a>	Switch bracket (SN: BT0404001 & above)	1	
18	<a href="#">NS01-016</a>	Hex nut, 7/16-14	4	
19	<a href="#">52519</a>	Drain interlock cord assembly	1	
20	<a href="#">SC01-058</a>	Pan screw, #6-32 X 1, CT	2	
21	<a href="#">WA01-006</a>	Washer, #6	2	
22	<a href="#">54228</a>	Drain switch with boot	1	A
23	<a href="#">21355</a>	Drain valve with extension (below SN:LH016JC)	1	B
23	<a href="#">66446</a>	Drain valve with extension (SN: LH016JC & above)	1	B
24	SC01-217	Hex screw, 7/16-14 X 1-1/4	4	



For the most up-to-date parts information, visit  
<https://parts.hennypennyhelp.com>.

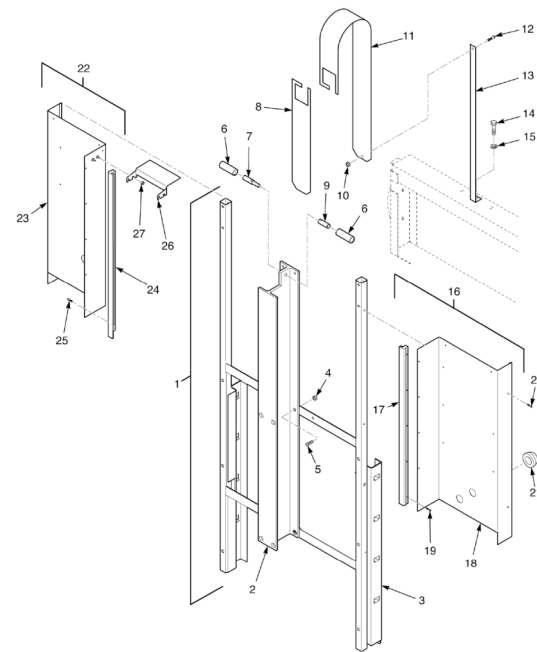
Item No.	Part No.	Description	Qty.	Stocking Level
25	<a href="#">67617</a>	Microswitch triggering bracket (SN: BT0802002 & below)	1	
26*	<a href="#">76683</a>	Switch cover gas plate, D/I	1	
<b>Recommended Parts: A = Truck Stock; B = Dist. Stock</b> <b>* = Not Shown</b>				



For the most up-to-date parts information, visit  
<https://parts.hennypennyhelp.com>.

## Lift Beam and Shrouds

SN: AP0802028 and before



Item No.	Part No.	Description	Qty.	Stocking Level
1	-	Not available, I-beam/ lift frame assembly	-	
2	-	Not available, I-beam lift	-	
3	-	Not available, Lift frame weldment assembly	-	
4	<a href="#">NS02-008</a>	- Hex keps nut, 5/16-18 UNC (qty. 50)	4	
5	SC01-212	- Flat head cap screw, 5/16-18 UNC (qty. 50)	4	
6	N/A	Lift U-channel stop	1	
7	N/A	Stop pin, male	1	



For the most up-to-date parts information, visit  
<https://parts.hennypennyhelp.com>.

Item No.	Part No.	Description	Qty.	Stocking Level
8	<a href="#">56825</a>	Nylatron slide, lower	1	
9	<a href="#">51594</a>	Stop pin, female	1	
10	<a href="#">NS02-007</a>	Hex keps nut, #8-32, coated	1	
11	<a href="#">56824</a>	Nylatron slide, upper	1	
12	<a href="#">SC01-034</a>	Screw, #8-32 X 3/8, CT	1	
13	<a href="#">52177</a>	Lift strap	1	
14	<a href="#">SC01-052</a>	Hex screw, 1/4-20 X 3/8, coated	1	
15	<a href="#">LW01-002</a>	Lockwasher, split ring, 1/4	1	
16	N/A	Front shroud/right assembly	1	
17	<a href="#">21345</a>	- Right slide guide	1	
18	N/A	- Front shroud/right weldment assembly	1	
19	<a href="#">SC01-023</a>	- Screw, #6-32 X 1/4, CT, RHD,, coated	5	
20	<a href="#">SC03-005</a>	Screw, #8 X 1/2, CT	4	
21	<a href="#">16804</a>	Umbrella grommet	3	
22	N/A	Front shroud/left assembly	1	
23	N/A	-Front shroud/left stud assembly	1	
24	<a href="#">21346</a>	- Left slide guide	1	
25	<a href="#">SC01-023</a>	-Screw, #6-32 X 1/4, CT , RHD, coated	5	
26	N/A	Shroud spacer/pullyguard	1	
27	<a href="#">NS02-005</a>	Hex keps nut, #6-32, coated	4	



For the most up-to-date parts information, visit  
<https://parts.hennypennyhelp.com>.

Item No.	Part No.	Description	Qty.	Stocking Level
28*	<a href="#">14218*</a>	Single to double lift strap kit	1	
29*	<a href="#">58261</a>	Back shroud cover panel	1	
30*	<a href="#">66940</a>	Left-side panel cover	1	
31*	<a href="#">66941</a>	Right-side panel cover	1	
<b>Recommended Parts: A = Truck Stock; B = Dist. Stock</b> <b>* = Not Shown</b>				

**SN: AP0802028 and after**

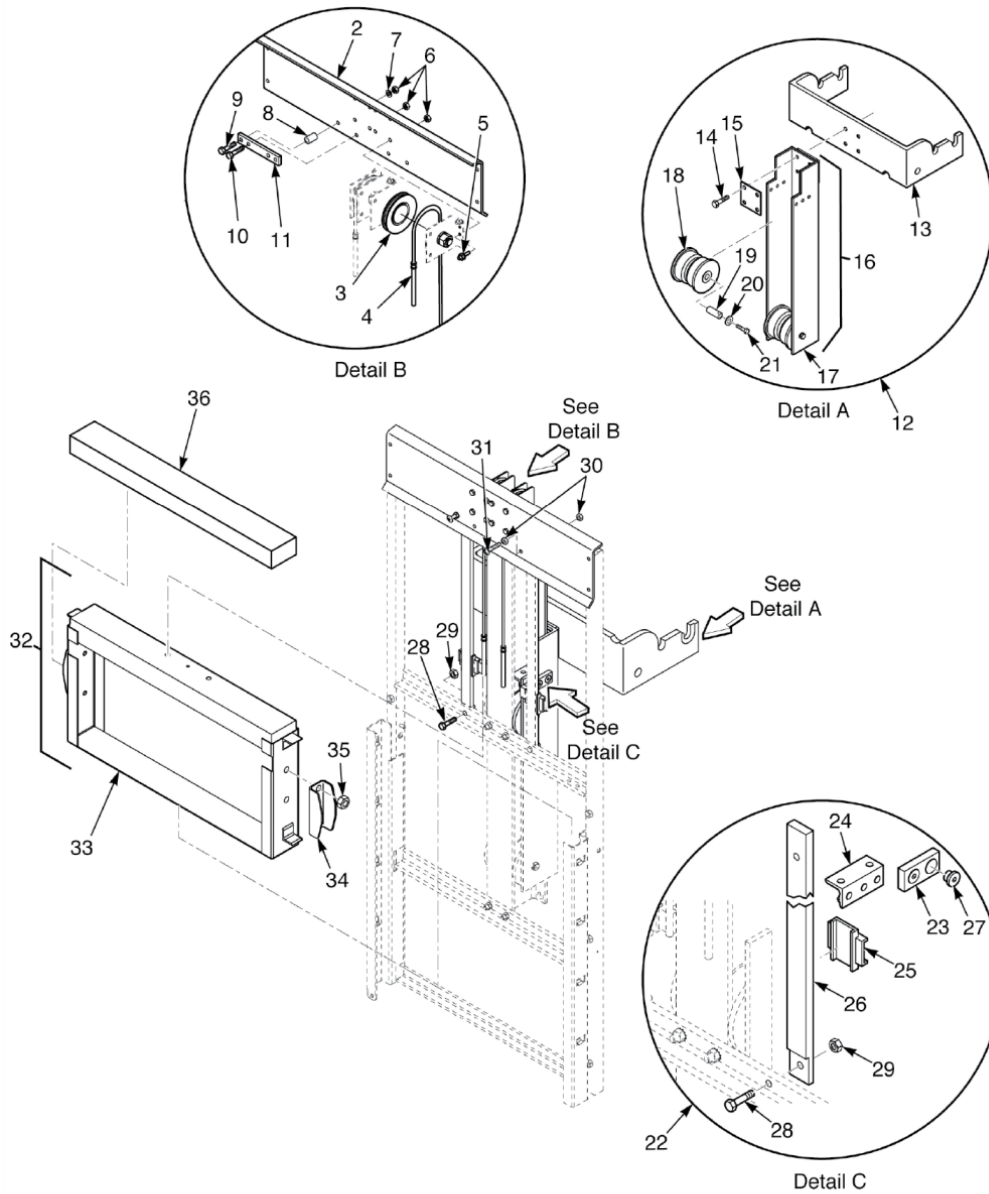
Item No.	Part No.	Description	Qty.	Stocking Level
29*	<a href="#">70591</a>	Back shroud cover panel	1	
30*	<a href="#">70438</a>	Left-side panel cover	1	
31*	<a href="#">70439</a>	Right-side panel cover	1	
<b>Recommended Parts: A = Truck Stock; B = Dist. Stock</b> <b>* = Not Shown</b>				



For the most up-to-date parts information, visit  
<https://parts.hennypennyhelp.com>.

# Counterweight Pulley System

SN: AP0802028 and Below





For the most up-to-date parts information, visit  
<https://parts.hennypennyhelp.com>.

Item No.	Part No.	Description	Qty.	Stocking Level
1	N/A	Pulley assembly	1	
2	N/A	- Pulley plate	1	
3	<a href="#">35962</a>	- Bracket/wheel assembly	2	
4	<a href="#">140225</a>	Cable kit (2 cables)	1	
5	<a href="#">SC01-022</a>	- Hex screw, 1/4-20 X 3/4,coated	8	
6	<a href="#">NS02-002</a>	- Keps nut, 1/4-20, coated	12	
7	<a href="#">WA01-002</a>	Washer	2	
8	N/A	Spacer	2	
9	<a href="#">SC01-104</a>	Hex screw, 1/4-20 X 1 1/2	2	
10	<a href="#">SC01-022</a>	Hex screw, 1/4-20 X 3/4, coated	2	
11	N/A	I-beam pulley brace	1	
12	N/A	Lid arm/U-channel assembly	1	
13	N/A	-Lid lift machined arm	1	
14	N/A	- Screw, 3/8-16 X 1-1/2 FT HH G	4	
15	N/A	- U-channel torque plate	1	
16	N/A	- U-channel lift assembly	1	
17	N/A	-U-channel lift	1	
18	<a href="#">66715</a>	- Truck wheel	4	
19	<a href="#">51593</a>	- U-channel wheel spindle	4	
20	<a href="#">LW01-001</a>	- Split ring lockwasher, 3/8 ID	4	



For the most up-to-date parts information, visit  
<https://parts.hennypennyhelp.com>.

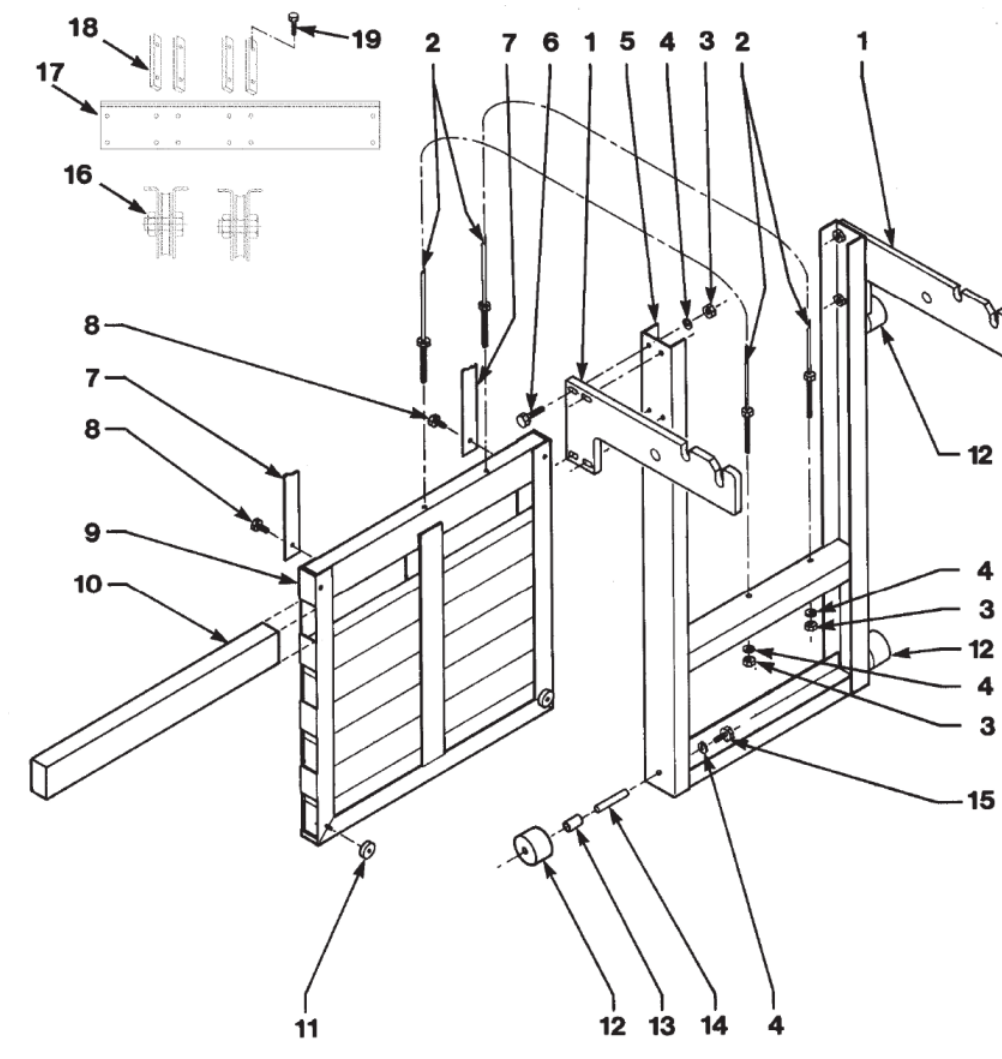
Item No.	Part No.	Description	Qty.	Stocking Level
21	<a href="#">SC01-081</a>	- Hex screw, 3/8-24 X 3/4	4	
22	N/A	Stabilizer component assembly	1	
23	N/A	- Stabilizer support arm	2	
24	N/A	-Cable mounting bracket assembly	2	
25	N/A	- Stabilizer slide	2	
26	N/A	- Stabilizer brace	2	
27	<a href="#">SC01-226</a>	- Cap screw, 5/16-18 X 1-1/4, FHD	6	
28	<a href="#">SC01-146</a>	- Hex screw, 1/4-20 X 3/4, coated	2	
29	<a href="#">NS02-002</a>	- Keps nut, 1/4-20, coated	4	
30	<a href="#">NS01-012</a>	- Hex nut, 1/4-20, coated	2	
31	SC01-232	- Truss, 1/4-20 X 2.00, CT, ZI	2	
32	N/A	Carriage weight assembly	1	
33	N/A	- Weight bracket stud assembly	1	
34	N/A	- Counter weight guide	2	
35	<a href="#">NS02-002</a>	- Keps nut, 1/4-20, coated	4	
36	<a href="#">36627</a>	Counterweight bar	4	

**Recommended Parts: A = Truck Stock; B = Dist. Stock**  
**\* = Not Shown**



For the most up-to-date parts information, visit  
<https://parts.hennypennyhelp.com>.

SN: AP0802029 and Above



Item No.	Part No.	Description	Qty.	Stocking Level
1	<a href="#">35026</a>	Lid support arm	2	
2	<a href="#">140225</a>	Cable kit (2 cables)	1	A
3	<a href="#">NS01-025</a>	Hex nut, 5/16-18, SS	10	
4	<a href="#">LW01-010</a>	Split ring washer, 3/8, SS	10	



For the most up-to-date parts information, visit  
<https://parts.hennypennyhelp.com>.

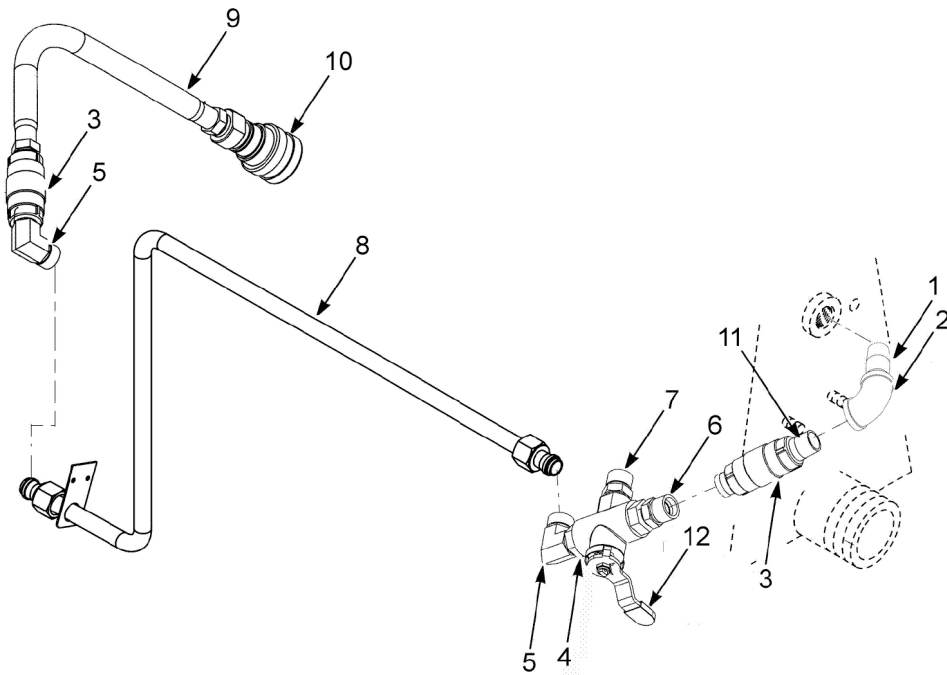
Item No.	Part No.	Description	Qty.	Stocking Level
5	<a href="#">35092</a>	Carriage	1	
6	<a href="#">SC01-069</a>	Hex screw, 3/8-16 X 1-1/2, S2P	8	
7	<a href="#">36839</a>	Nylatron slide	2	
8	<a href="#">SC01-042</a>	Hex screw, 3/8-16 X 1, coated	2	
9	<a href="#">36625</a>	Counterweight carriage weld assembly	1	
10	<a href="#">36627</a>	Counterweight bar	7	
11	<a href="#">36626</a>	Counterweight frame spacer	2	
12	<a href="#">67099</a>	Carriage wheel	4	
13	<a href="#">37363</a>	Carriage wheel spacer	4	
14	<a href="#">37364</a>	Spindle	4	
15	<a href="#">SC01-081</a>	Hex screw, 3/8-24 X 3/4, SS	4	
16	<a href="#">35962</a>	Bracket wheel assembly	2	
17	<a href="#">36561</a>	Top frame brace	1	
18	<a href="#">35954</a>	Support pulley plate	4	
19	<a href="#">SC01-132</a>	Cap screw, 1/2-20 X 5/8 SOC	8	
20*	<a href="#">35490</a>	Carriage stop/bumper	2	
<b>Recommended Parts: A = Truck Stock; B = Dist. Stock</b> <b>* = Not Shown</b>				



For the most up-to-date parts information, visit  
<https://parts.hennypennyhelp.com>.

## Optional Direct Connect Kit

SN: LH029JC and above only



Item No.	Part No.	Description	Qty.	Stocking Level
1	FP01-175	Nipple, large, 3/4 NPT X 2.5, SS	1	
2	FP01-176	Elbow, 3/4, SS	1	
3	<a href="#">21800</a>	Check valve, 3/4	2	A
4	<a href="#">68510</a>	Diverter valve without handle, 3/4	1	
5	<a href="#">FP01-169</a>	Connector tube, 90 male, 3/4 NPT	2	
6	<a href="#">16282</a>	Close nipple, 3/4	1	



For the most up-to-date parts information, visit  
<https://parts.hennypennyhelp.com>.

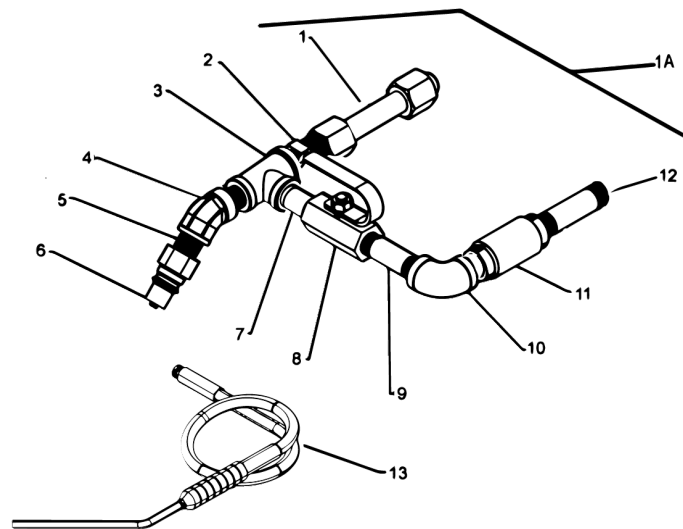
Item No.	Part No.	Description	Qty.	Stocking Level
7	<a href="#">FP01-170</a>	Strong connector, male, 3/4 NPT	1	
8	<a href="#">67692</a>	Direct connect tube assembly	1	
9	<a href="#">21753</a>	Oil discard hose	1	
10	<a href="#">21612</a>	Disconnect, female	1	
11	<a href="#">FP02-060</a>	Close nipple, 3/4, SS	1	
12	<a href="#">68126</a>	Direct connect handle	1	
13*	<a href="#">14639</a>	Direct connect kit	1	
<b>Recommended Parts: A = Truck Stock; B = Dist. Stock</b> <b>* = Not Shown</b>				



For the most up-to-date parts information, visit  
<https://parts.hennypennyhelp.com>.

## Optional Rinse Hose Kit

SN: LH029JC and Below



Item No.	Part No.	Description	Qty.	Stocking Level
	14259	Optional rinse hose kit (SN LH029JC to AP0811019)	1	
1	56981	Pump to vat tube assembly	1	
2	16807	Fitting connector, male	1	
3	17306	Pipe tee fitting	1	
4	FP02-024	Close nipple, 3/8 NPT B.I.	2	
5	17334	Rinse hose disconnect, male	1	
6	59185	Small filter valve, C-handle	1	
7	FP01-114	Street elbow, 3/8 NPT B.I.	1	
8	FP01-116	Large nipple, 3/8 NPT X 4 in B.I	1	

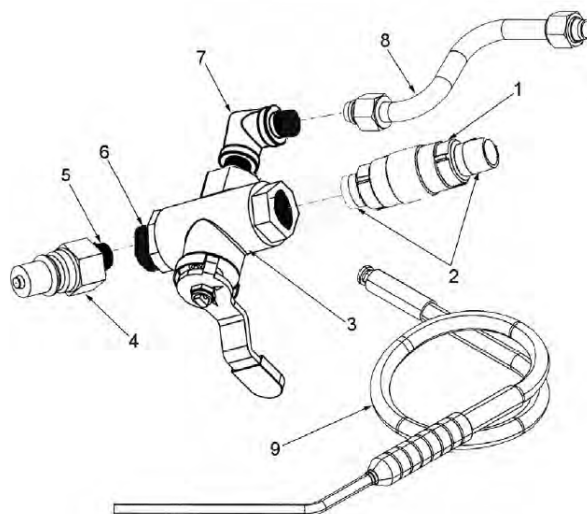


For the most up-to-date parts information, visit  
<https://parts.hennypennyhelp.com>.

Item No.	Part No.	Description	Qty.	Stocking Level
8	66810	Filter rinse tube assembly (SN LH029JC to AP0811019)	1	
9	35472	Check valve, pressure	1	
10	FP02-007	Nipple, 3/8 X 1-1/2	1	
11	03003	Detachable hose assembly	1	
11	165333	Filter rinse hose - straight male fitting	1	
11	33494	Filter rinse hose - 90-degree male fitting	1	
11	24904	Filter rinse hose - dual gender male fitting	1	

Recommended Parts: A = Truck Stock; B = Dist. Stock  
 \* = Not Shown

**SN: AP0811020 and Above**





For the most up-to-date parts information, visit  
<https://parts.hennypennyhelp.com>.

Item No.	Part No.	Description	Qty.	Stocking Level
	<a href="#">14996</a>	Optional rinse hose kit (SN AP08110019 and above)	1	
1	<a href="#">21800</a>	Check valve, 3/4	1	A
2	<a href="#">16282</a>	Close nipple, 3/4	2	
3	<a href="#">66697</a>	Diverter valve, 3/4	1	
4	<a href="#">17334</a>	Rinse hose disconnect, male	1	
5	<a href="#">FP02-024</a>	Close nipple, 3/8 NPT B.I.	1	
6	<a href="#">FP01-143</a>	Bushing, 3/4 X 3/8 B.I.	1	
7	<a href="#">FP01-169</a>	Connector, 90°, male, 3/4 tube, 3/4 NPT	1	
8	<a href="#">81956</a>	Filter rinse tube assembly (SN AP0811020 and above)	1	
9	<a href="#">03003</a>	Detachable hose assembly	1	
9	<a href="#">165333</a>	Filter rinse hose - straight male fitting	1	
9	<a href="#">33494</a>	Filter rinse hose - 90-degree male fitting	1	
9	<a href="#">24904</a>	Filter rinse hose - dual gender male fitting	1	

**Recommended Parts: A = Truck Stock; B = Dist. Stock**  
**\* = Not Shown**