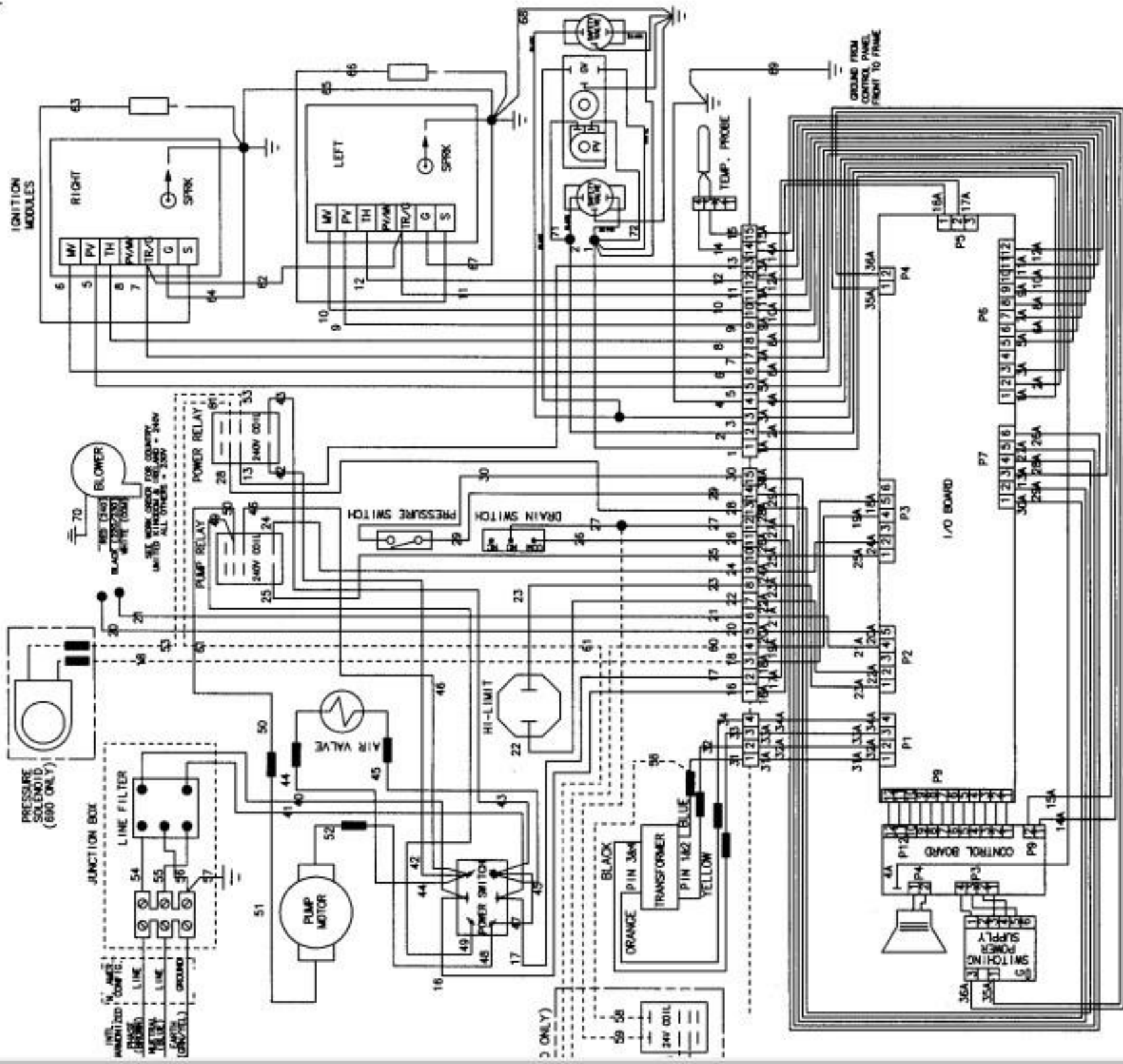


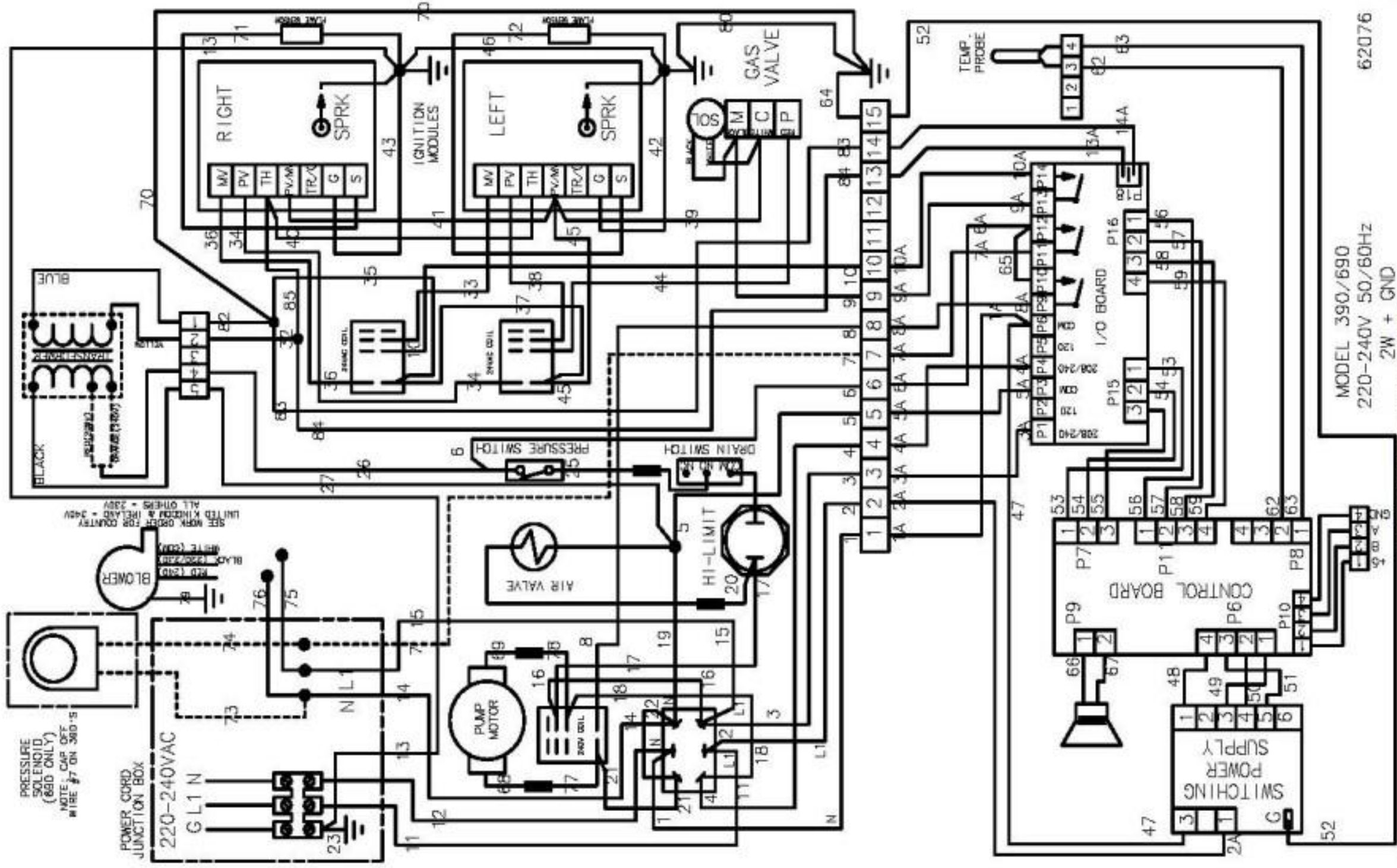
BELOW SN: FH001JC



MODEL 390/690  
230V 50/60 Hz  
2+G

54914

BELOW SN: FH001JC



MODEL 390/690  
220-240V 50/60Hz  
2W + GND

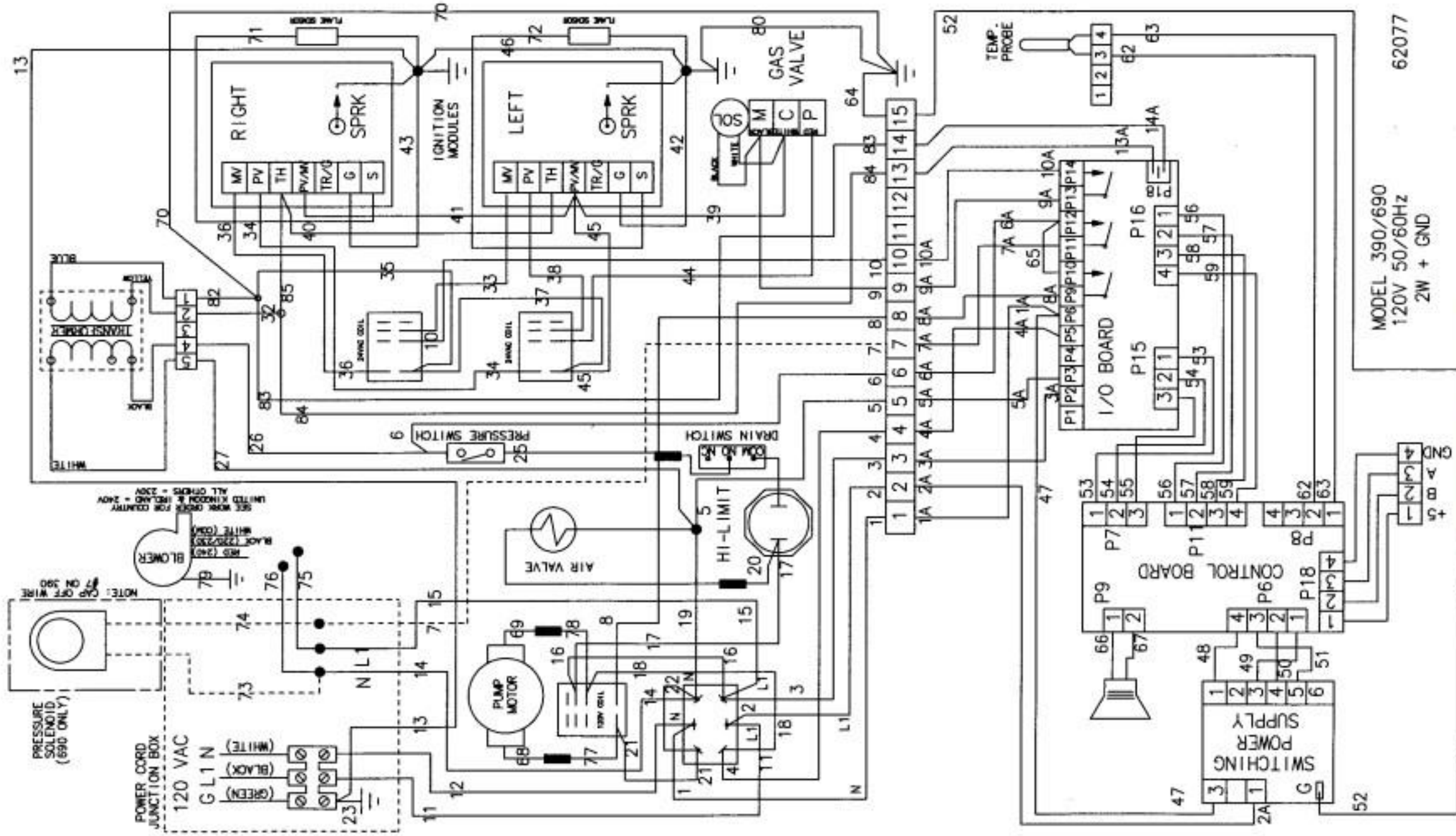
62076

**BELOW SN: FH001JC**

PRESSURE SOLENOID (6SD ONLY)  
NOTE: CAP OFF WIRE #7 ON 360'S

POWER CORD JUNCTION BOX  
220-240VAC  
G L1 N

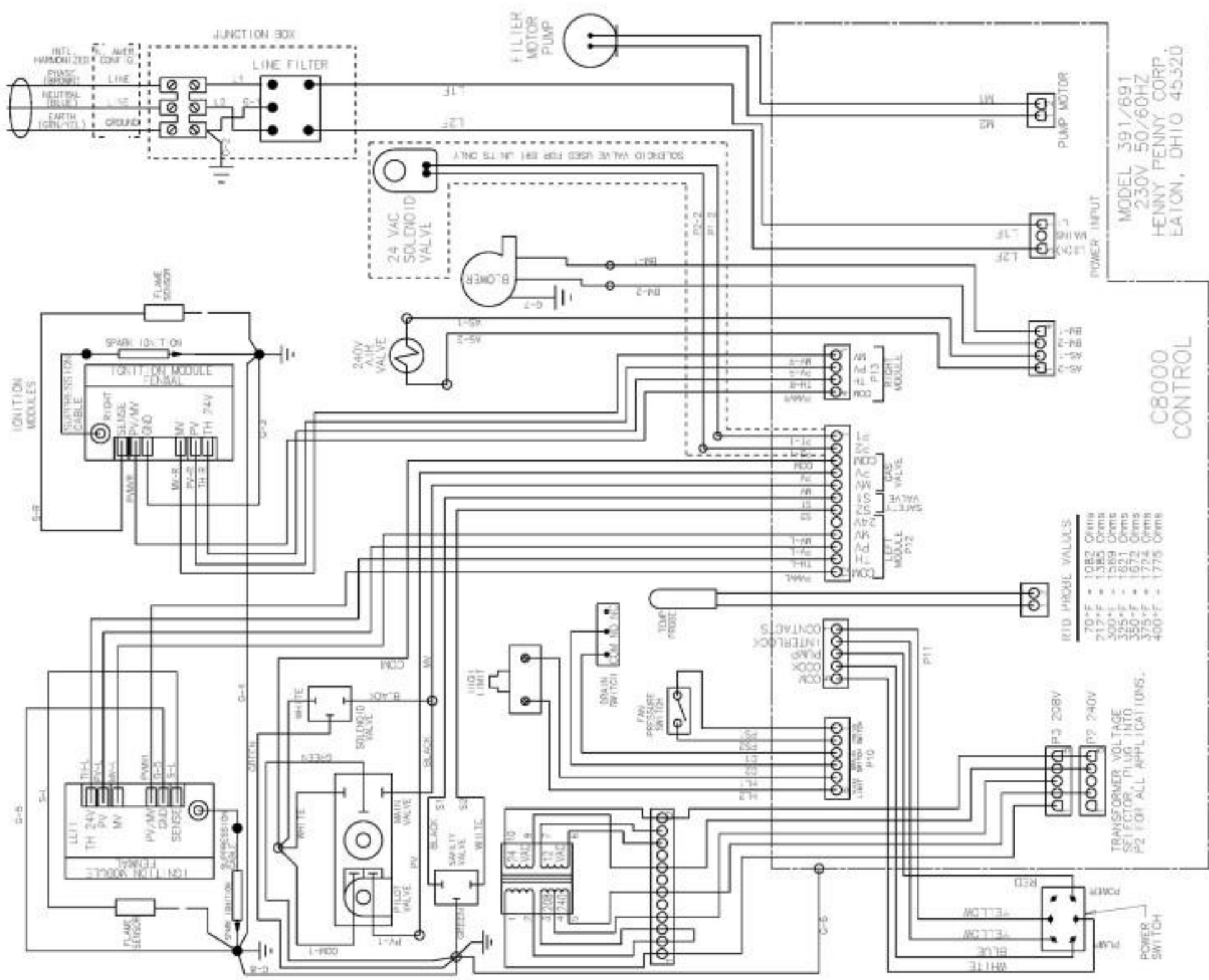
SEE WORK ORDER FOR COUNTRY  
LIMITED ALL OTHERS - 230V  
BLACK (230V)  
RED (230V)  
WHITE (230V)  
BLU (230V)

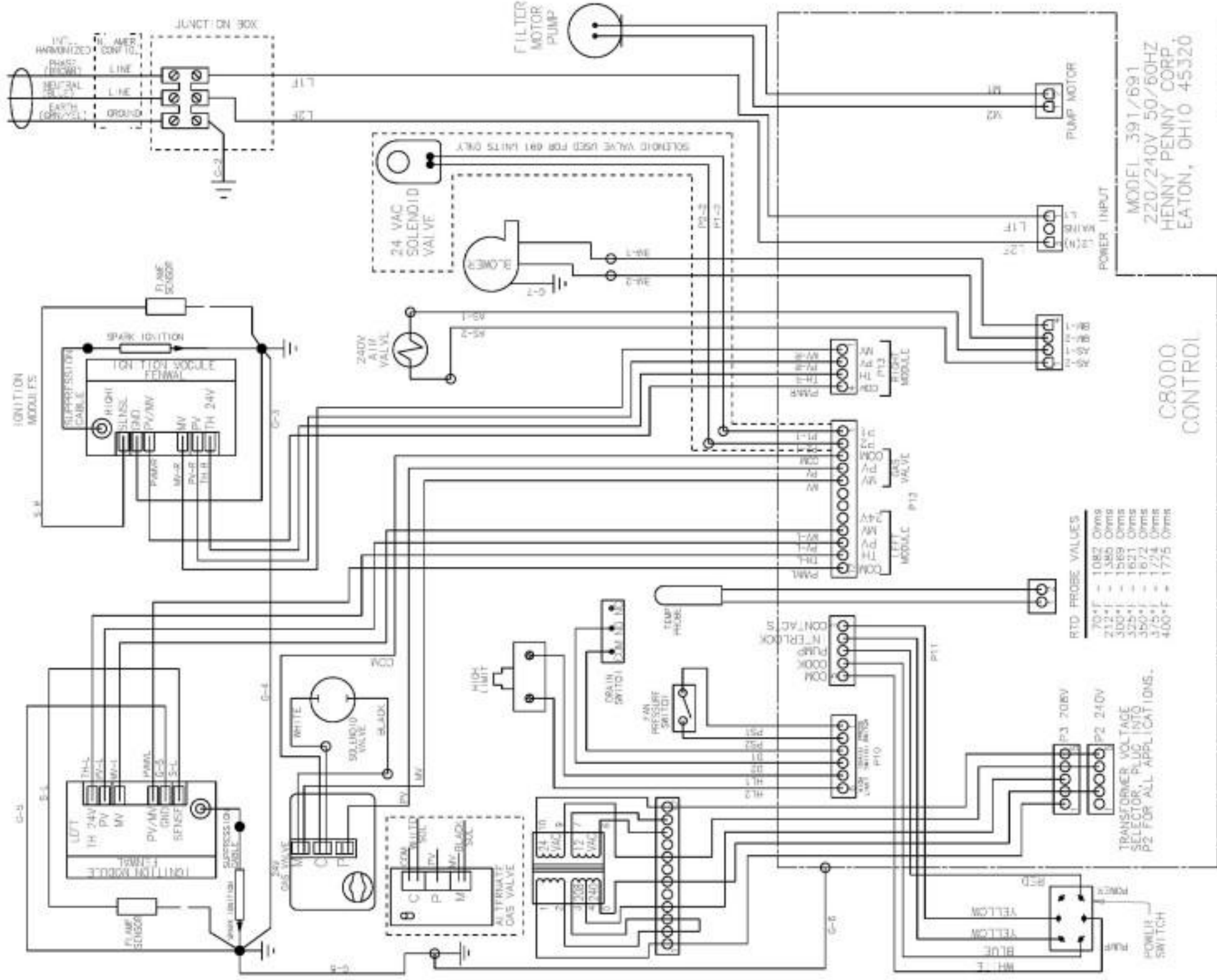


MODEL 390/690  
120V 50/60Hz  
2W + GND

62077

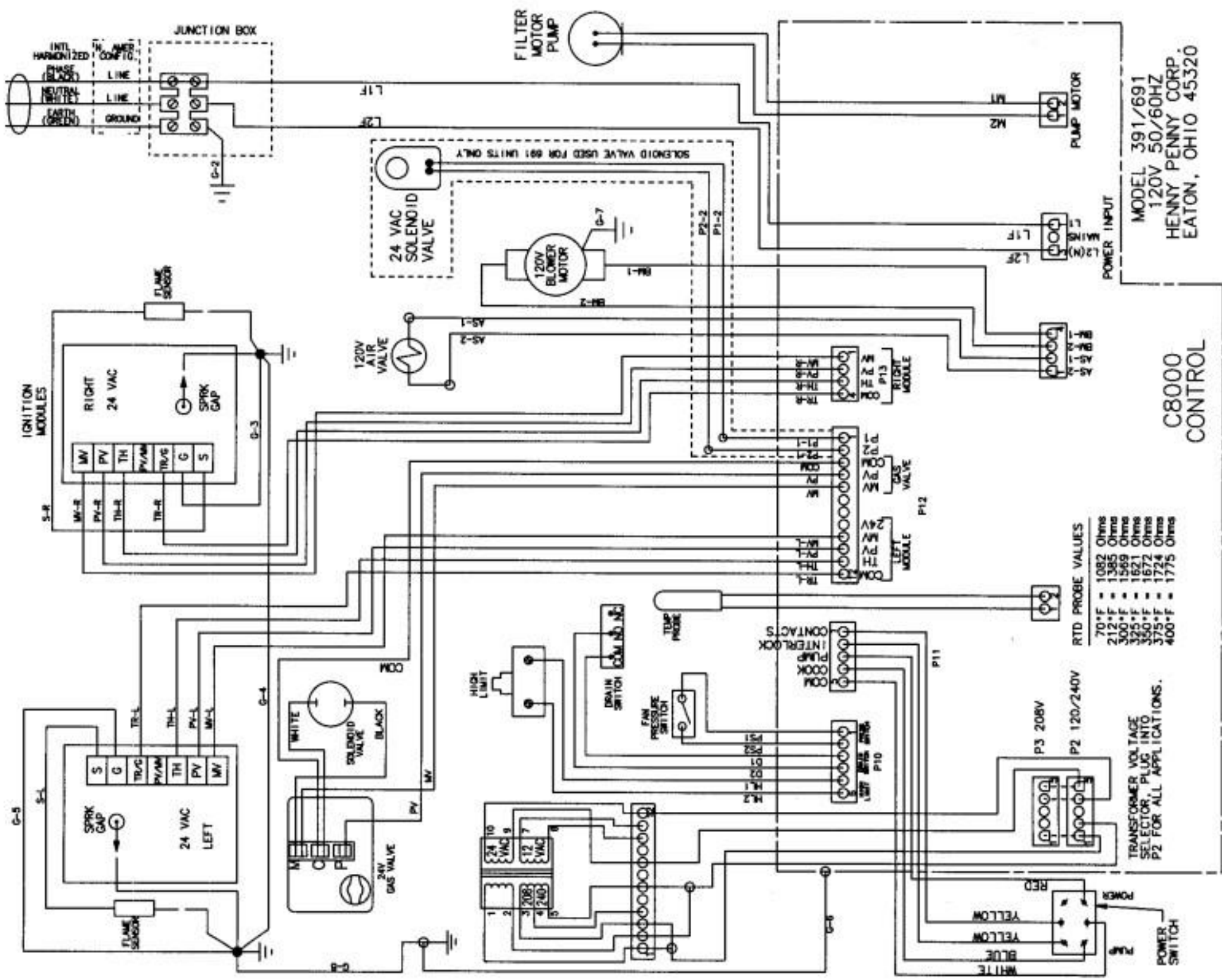
BELOW SN: FH001JC





65832\_G

**SN: FH001JC & ABOVE**



RTD PROBE VALUES

70°F	=	1082 Ohms
212°F	=	1385 Ohms
300°F	=	1569 Ohms
325°F	=	1621 Ohms
350°F	=	1672 Ohms
375°F	=	1724 Ohms
400°F	=	1775 Ohms

TRANSFORMER VOLTAGE SELECTOR, PLUG INTO P2 FOR ALL APPLICATIONS.

**C8000 CONTROL**

MODEL 391/691  
120V 50/60HZ  
HENNY PENNY CORP.  
EATON, OHIO 45320