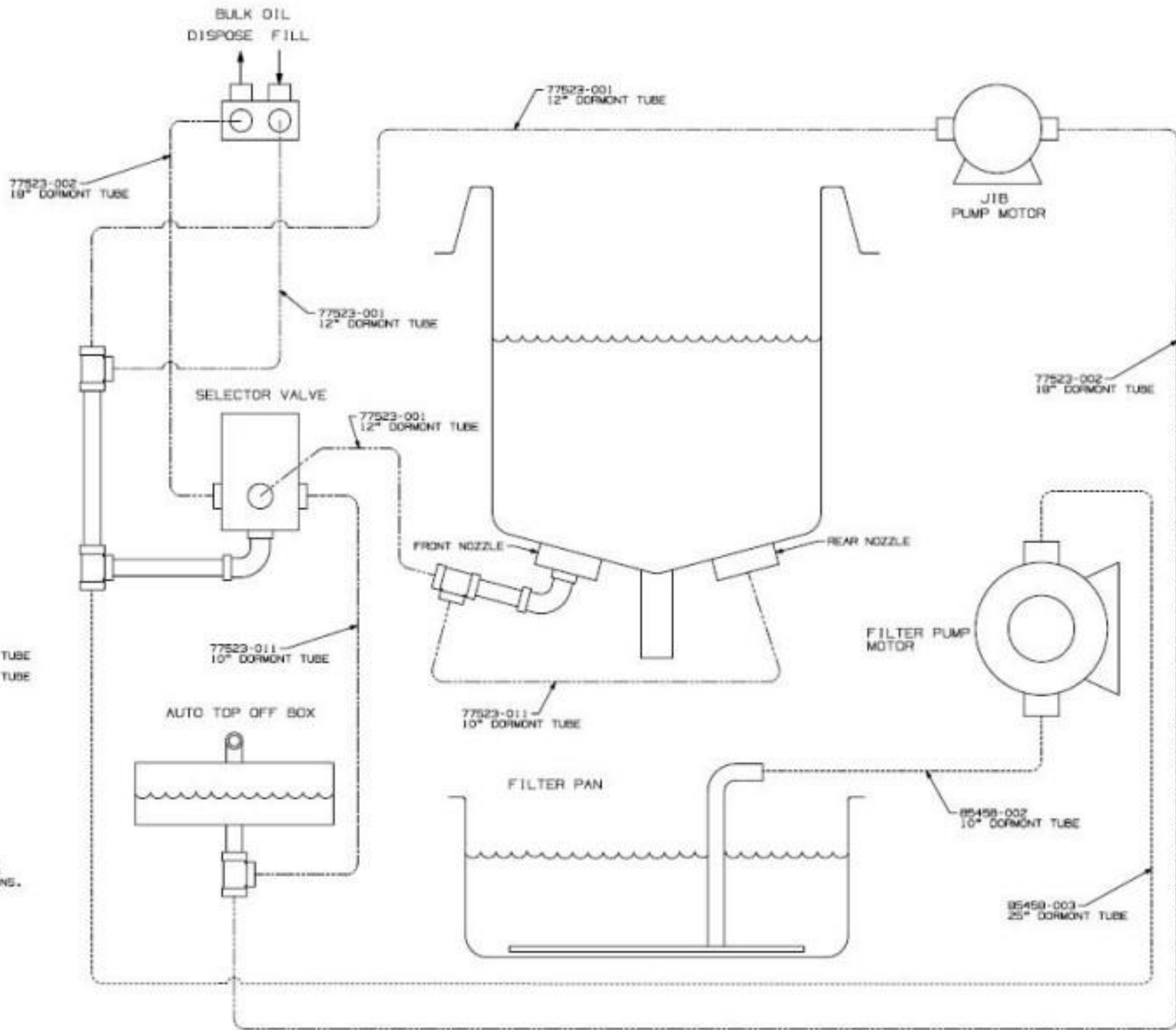


LEGEND

- 1/2" DORMONT FLEXIBLE TUBE
- 3/4" DORMONT FLEXIBLE TUBE

NOTE:  
 1. DIAGRAM IS NOT AN ACTUAL DEPICTION OF PLUMBING FITTINGS AND CONNECTIONS.

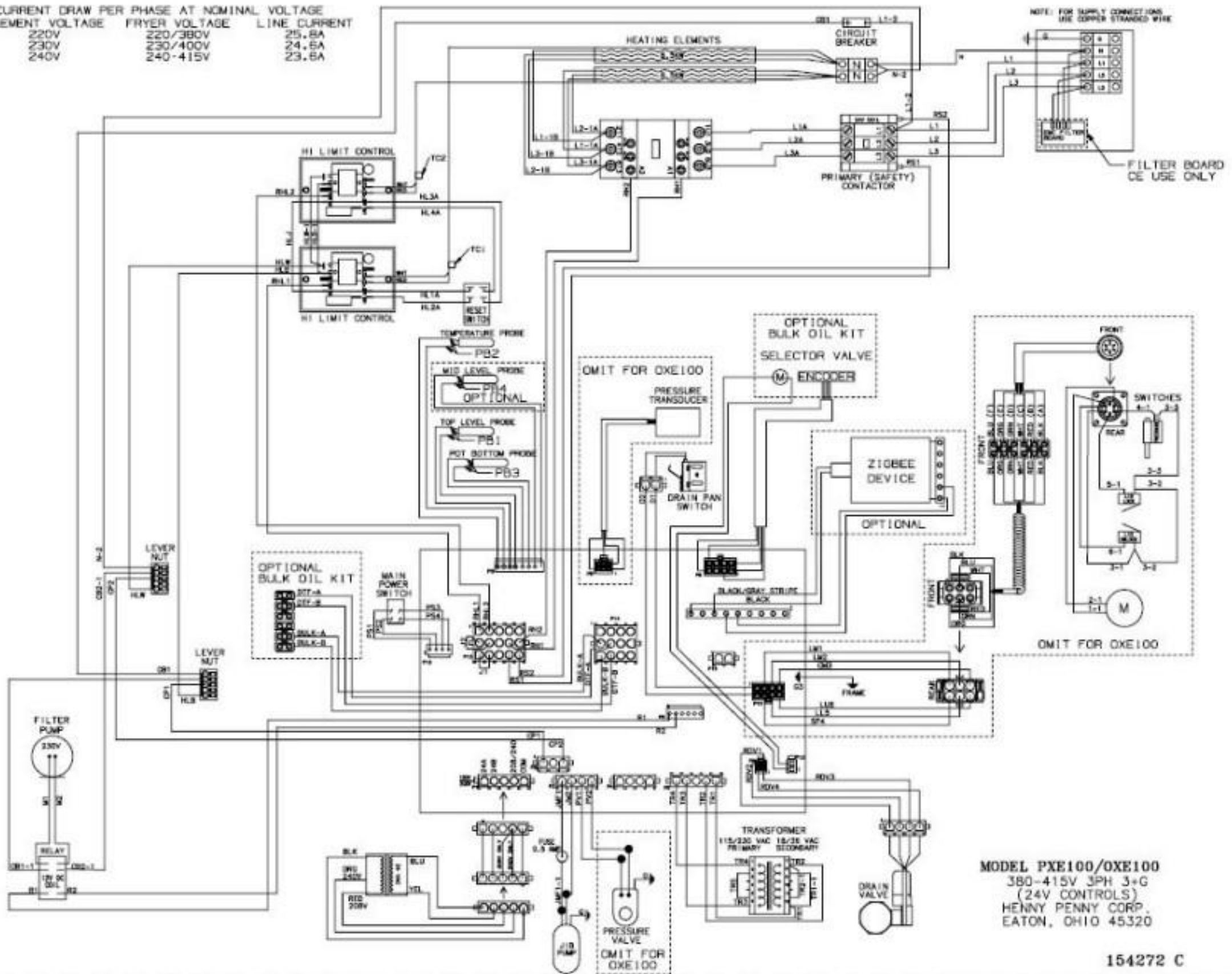


LEGEND

- 1/2" DORMONT FLEXIBLE TUBE
- - - - 3/4" DORMONT FLEXIBLE TUBE

NOTE:  
1. DIAGRAM IS NOT AN ACTUAL DEPICTION OF PLUMBING FITTINGS AND CONNECTIONS.

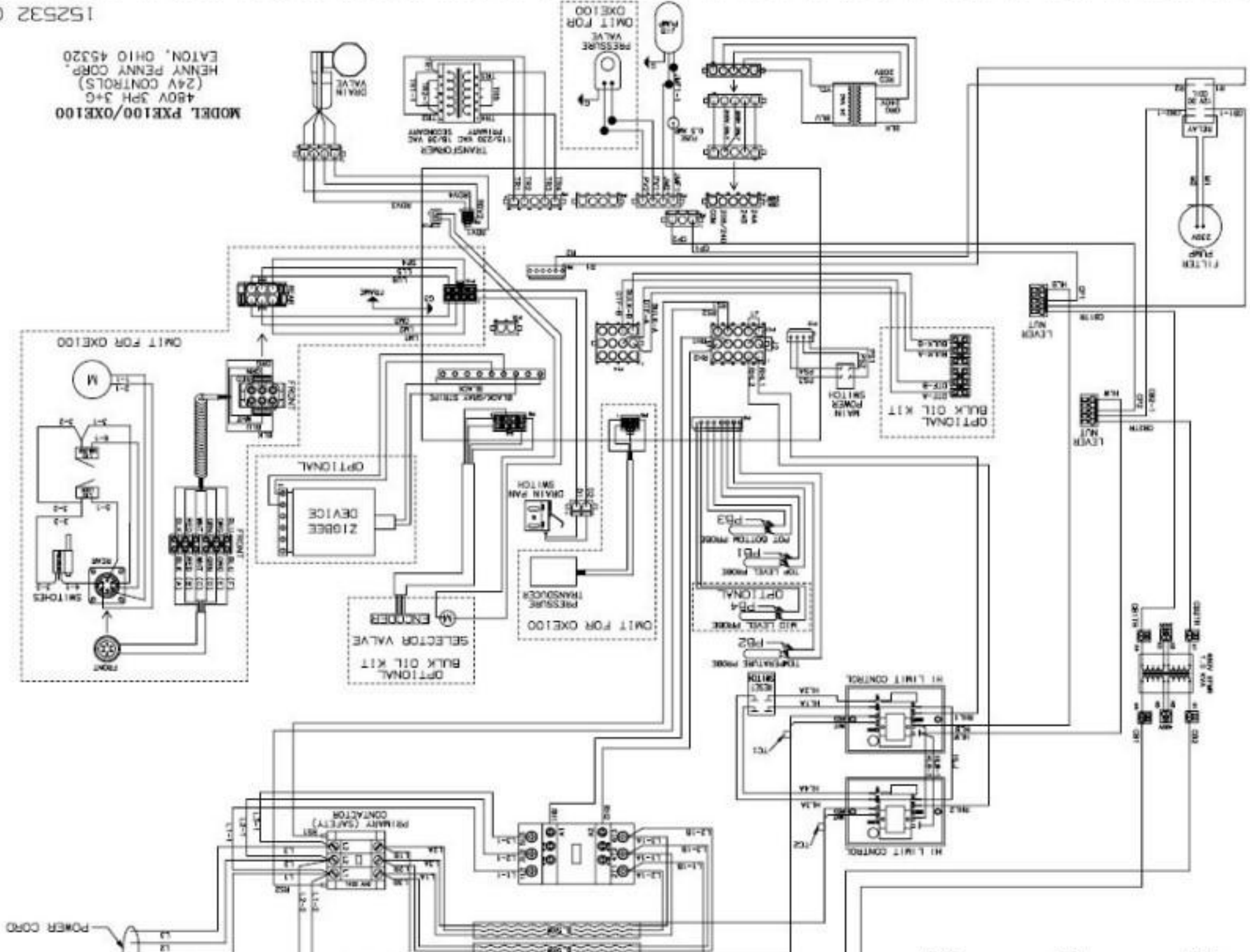
CURRENT DRAW PER PHASE AT NOMINAL VOLTAGE		
ELEMENT VOLTAGE	FRYER VOLTAGE	LINE CURRENT
220V	220/380V	25.6A
230V	230/400V	24.6A
240V	240-415V	23.6A



MODEL PXE100/OXE100  
 380-415V 3PH 3+G  
 (24V CONTROLS)  
 HENNY PENNY CORP.  
 EATON, OHIO 45320

154272 C

CURRENT DRAW PER PHASE AT NOMINAL VOLTAGE  
 ELEMENT VOLTAGE FRYER VOLTAGE 480V  
 LINE CURRENT 20.5A



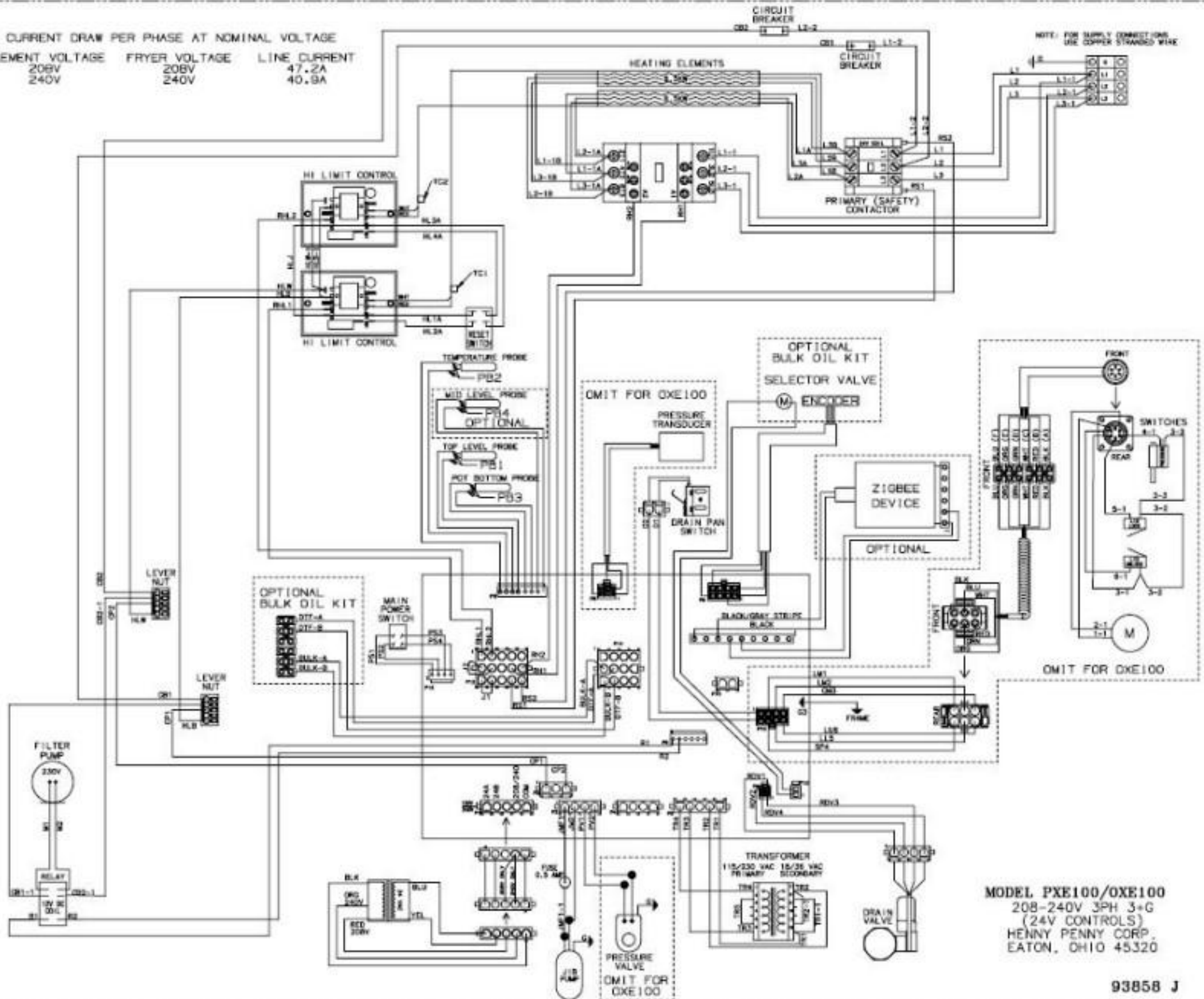
MODEL FXE100/OXE100  
 480V 3PH 3+W  
 (24V CONTROLS)  
 HENNY PENNY CORP.  
 EATON, OHIO 45320

152532 C

CURRENT DRAW PER PHASE AT NOMINAL VOLTAGE

ELEMENT VOLTAGE	FRYER VOLTAGE	LINE CURRENT
208V	208V	47.2A
240V	240V	40.9A

NOTE: FOR SUPPLY CONNECTIONS USE COPPER STRANDED WIRE



MODEL PXE100/OXE100  
 208-240V 3PH 3+G  
 (24V CONTROLS)  
 HENNY PENNY CORP.  
 EATON, OHIO 45320