



**Henny Penny
Rotisserie
Model SCR-6/8**

TECHNICAL MANUAL

TABLE OF CONTENTS

Section		Page
Section 1.	TROUBLESHOOTING	1-1
	1-1. Introduction	1-1
	1-2. Safety	1-1
	1-3. Troubleshooting	1-1
	1-4. Error Codes	1-3
Section 2.	MAINTENANCE	2-1
	2-1. Introduction	2-1
	2-2. Maintenance Hints	2-1
	2-3. Halogen Lamp Replacement	2-1
	2-4. Blower Replacement	2-2
	2-5. Thermal Sensor Replacement	2-3
	2-6. Contactor	2-4
	2-7. Drive Motor Replacement Kit	2-5
	2-8. Rotation Control Switch	2-6
	2-9. Capacitor Replacement - Blower Motor	2-8
	2-10. Capacitor Replacement - Drive Motor	2-8
	2-11. Door Sensor Replacement	2-9
	2-12. Socket - Halogen Lamp	2-10
	2-13. Power Switch	2-10
	2-14. Radiant Heaters	2-11
	2-15. Control Board Speaker Replacement	2-12
	2-16. Meat Probe Receptacle Replacement	2-12
	2-17. Control Board Replacement	2-13
	2-18. Relays	2-13
	2-19. High Limit	2-15
	2-20. Wiring Diagrams	2-17
Section 3.	PARTS INFORMATION	3-1
	3-1. Introduction	3-1
	3-2. Genuine Parts	3-1
	3-3. How To Order	3-1
	3-4. Prices	3-1
	3-5. Delivery	3-1
	3-6. Warranty	3-1
	3-7. Recommended Spare Parts for Distributors	3-1

SECTION 1. TROUBLESHOOTING

1-1. INTRODUCTION

This section provides troubleshooting information in the form of an easy to read table.

If a problem occurs during the first operation of a new rotisserie, recheck the installation per the Installation Section of the Operator’s Manual.

Before troubleshooting, always recheck the Operation Procedures Section of the Operator’s Manual.

1-2. SAFETY

Where information is of particular importance or is safety related, the words NOTICE, CAUTION, or WARNING are used. Their usage is described below.



SAFETY ALERT SYMBOL is used with **DANGER**, **WARNING**, or **CAUTION** which indicates a personal injury type hazard.

NOTICE is used to highlight especially important information.

CAUTION used without the safety alert symbol indicates a potentially hazardous situation which, if not avoided, may result in property damage.

CAUTION used with the safety alert symbol indicates a potentially hazardous situation which, if not avoided, may result in minor or moderate injury.

WARNING indicates a potentially hazardous situation which, if not avoided, could result in death or serious injury.

1-3. TROUBLESHOOTING

To isolate a malfunction proceed as follows:

1. Clearly define the problem or symptom and when it occurs.
2. Locate the problem in the troubleshooting table.
3. Review all possible causes, then one at a time work through the list of corrections until the problem is solved.



If maintenance procedures are not followed correctly, injuries and/or property damage could result.

1-3. TROUBLESHOOTING (Continued)

Problem	Cause	Correction
COOKING SECTION		
Product Color Not Correct: A. Too Dark	<ul style="list-style-type: none"> • Temperature too high 	<ul style="list-style-type: none"> • Check probe position; see Thermal Sensor Replacement Section • Check temperature setting in the program mode; see Programming Section in Operator’s Manual • Remove and replace defective probe
B. Too Light	<ul style="list-style-type: none"> • Temperature too low 	<ul style="list-style-type: none"> • Check probe position; see Thermal Sensor Replacement Section • Check temperature setting • Remove and replace defective probe • Allow proper preheat time • Be sure to select the correct product button
C. Dry Product	<ul style="list-style-type: none"> • Moisture loss prior to cooking • Overcooking the product 	<ul style="list-style-type: none"> • Use fresh product • Reduce cooking time • Reduce cooking temperature
General Product Problems: A. Meat Separation From Bone	<ul style="list-style-type: none"> • Overcooking • Product not fresh 	<ul style="list-style-type: none"> • Check cooking time • Use fresh product
POWER SECTION		
With power switch in POWER position, the rotisserie is completely inoperative.	<ul style="list-style-type: none"> • Open circuit 	<ul style="list-style-type: none"> • Check to see that unit is plugged in • Check the breaker or fuse at supply box • Check voltage at wall receptacle • Check Power switch; replace if defective • Check cord and plug
Unit will not heat	<ul style="list-style-type: none"> • Blown fuse or tripped circuit breaker at supply box • Blown fuse PC Board • Faulty contactor • Faulty Power switch • Faulty PC Board • Faulty cord and plug • Faulty relay 	<ul style="list-style-type: none"> • Reset breaker or replace fuse • Check fuse on PC board • Check contactor per Contactor Section • Check power switch per Power Switch Section • Remove and replace control board • Check cord and plug and power at wall receptacle • Check relay per section; see Relays Section

1-3. TROUBLESHOOTING (Continued)

Problem	Cause	Correction
Product not done	<ul style="list-style-type: none"> • Low or improper voltage • Weak or burnt out elements • Points in contactor bad • Bad relay • Wire(s) loose • Burnt or charred connector 	<ul style="list-style-type: none"> • Use a meter and check the receptacle against data plate • Check heating element(s) per Radiant Heaters Section • Check contactor per Contactor Section • Replace relay per Relays Section • Tighten • Replace wire and clean connectors
Unit overheating (product too dark)	<ul style="list-style-type: none"> • Probe not properly in position • Check probe calibration • Faulty control board • Check contactor for not opening 	<ul style="list-style-type: none"> • Check probe position; see Thermal Sensor Replacement Section • If probe is more than 10°F out of calibration, replace probe • Replace control board per Control Board Replacement Section • Check for faulty contactor per Contactor Section
Timers fail to run, or won't turn off	<ul style="list-style-type: none"> • Low voltage • Faulty display board • Indented or torn decal 	<ul style="list-style-type: none"> • Check voltage at receptacle to match unit voltage • Check voltage at transformer • Replace display board • Replace control decal
Timer will not beep	<ul style="list-style-type: none"> • Faulty speaker 	<ul style="list-style-type: none"> • Replace speaker per Speaker Replacement Section

1-4. ERROR CODES - The control has built-in self-diagnostic error codes that will show on the display.

Error Code	Cause	Correction
"E-6" Prob Err	<ul style="list-style-type: none"> • Temperature probe failure 	<ul style="list-style-type: none"> • Reconnect probe to board, or replace probe
"E-4" ctrl hot	<ul style="list-style-type: none"> • Control board temperature too hot 	<ul style="list-style-type: none"> • Replace or clean blower
"E-50" CPU Chip	<ul style="list-style-type: none"> • CPU RAM error 	<ul style="list-style-type: none"> • "E-50", "E-51", "E-53", & "E-41" are software errors • Reinitialize the board, and if error persists, replace "E-41" board
"E-51" rA-CHIP	<ul style="list-style-type: none"> • External RAM error 	
"E-53" ro-CHIP	<ul style="list-style-type: none"> • External ROM error 	
data Err	<ul style="list-style-type: none"> • Scrambled memory 	
"E-5" too hot	<ul style="list-style-type: none"> • Software high limit (air temperature too hot) 	<ul style="list-style-type: none"> • Change control board or contactor • Replace blower

THIS
PAGE
INTENTIONALLY
LEFT
BLANK.

SECTION 2. MAINTENANCE

2-1. INTRODUCTION

This section provides procedures for the checkout and replacement of the various parts used within the rotisserie. Before replacing any parts, refer to the Troubleshooting Section. It will aid you in determining the cause of the malfunction.

2-2. MAINTENANCE HINTS

1. You may want to use a multimeter to check the electric components.
2. When the manual refers to the circuit being closed, the multimeter should read zero unless otherwise noted.
3. When the manual refers to the circuit being open, the multimeter will read infinity.

2-3. HALOGEN LAMP REPLACEMENT



To avoid electrical shock or property damage, move the power switch to OFF and disconnect main circuit breaker, or unplug cord at wall receptacle.

Light bulbs and surrounding surfaces may be hot. Severe burns could result.



Step 2

1. Push in and twist bulb counterclockwise to remove defective bulb.
2. Use the foam packing around new bulb, and push new bulb into socket. Twist clockwise to lock into place.



When installing the new bulb, do not touch light bulb with fingers. Wrap the foam packing around bulb to install the bulb. Failure to follow these instructions could cause damage to bulb.

3. Restore power to unit.

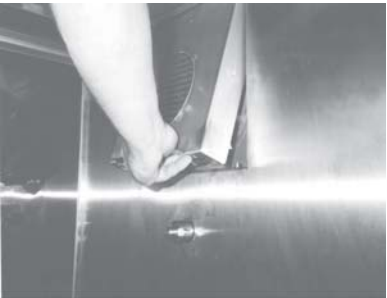
2-4. BLOWER REPLACEMENT



Step 2



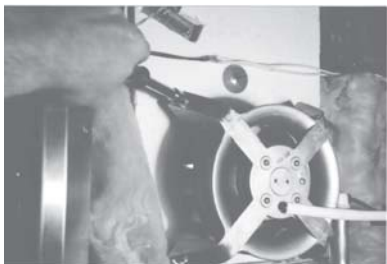
Step 3



Step 5



Step 6



Step 7

1. Remove electrical power to unit.



To avoid electrical shock or property damage, move the power switch to OFF and disconnect main circuit breaker, or unplug cord at wall receptacle.

2. Using Phillips head screwdriver, remove the side panel closest to the controls.
3. Remove electrical wires from wire nuts.
4. Remove discs and rod from inside of unit. (See Cleaning Section in Operator's Manual.)
5. Unscrew knob and lift drive-side vent panel up and out of unit.
6. Loosen thumb screw and pull out on fan blade and remove from shaft.
7. Using a 7/16" nut driver, remove the nuts securing the blower to the unit, and remove blower from unit.
8. Replace with new blower in reverse order.

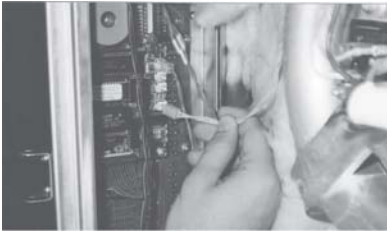
NOTICE

When placing fan blade back onto shaft, rotate fan blade on the blower shaft, while holding the blower wheel inside the control area. The fan blade should snap onto a pin at the base of the shaft.

2-5. THERMAL SENSOR REPLACEMENT



Step 2



Step 3



Step 6

1. Remove electrical power to unit.



To avoid electrical shock or property damage, move the power switch to OFF and disconnect main circuit breaker, or unplug cord at wall receptacle.

2. Remove the side panel closest to the controls.
3. Unplug probe from control PC board.
4. Press down on the probe bracket and pull probe from bracket, or using 3/8" socket, remove nut securing probe bracket to unit and remove bracket and probe from unit.
5. Remove vent panels from inside unit. (See Cleaning Section of Operator's Manual.)
6. Install new probe in reverse manner, exposing the probe 1½" (38 mm) inside cabinet.

NOTICE

1½ inch (38 mm) probe position is important. Improper positioning causes erroneous temperature readings.

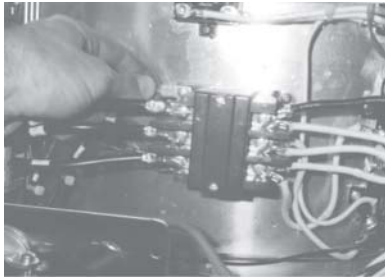
7. Plug probe onto P2, a 2 pin connector.

2-6. CONTACTOR

1. Remove electrical power to unit.



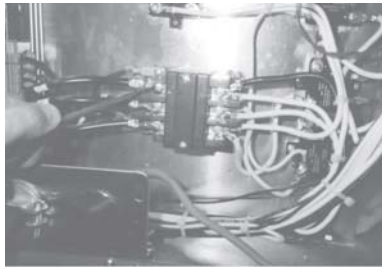
To avoid electrical shock or property damage, move the power switch to OFF and disconnect main circuit breaker, or unplug cord at wall receptacle.



Step 3

Checkout:

2. Remove the side panel closest to the controls.



Step 4

3. Label and remove the wires from contactor.

4. Perform a check on the contactor as follows:

Test Points	Results
from 23 to 29	open circuit
from 24 to 28	open circuit
from 25 to 27	open circuit
from 22 to 26	ohm reading 415

Checkout - power supplied:



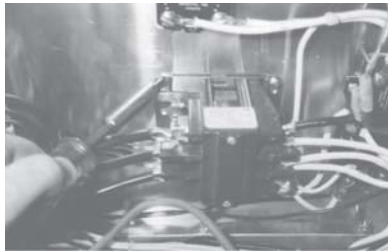
To avoid electrical shock, make connections before applying power, take reading, and remove power before removing meter leads. The following checks are performed with the wall circuit breaker closed and the main power switch in the ON position.

5. With power reapplied, let unit start heating up.

2-6. CONTACTOR
(Continued)

6. Check voltage as follows:

Test Points	Results
from terminal 29 to 28	The voltage should read the same at each terminal.
from terminal 27 to 28	
from terminal 27 to 29	



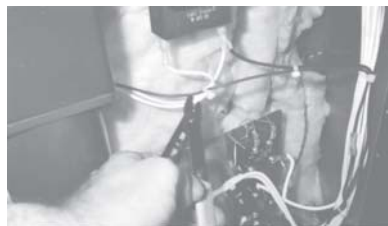
Step 7

Replacement:

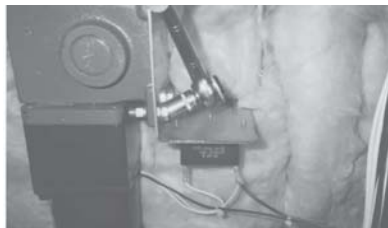
If contactor proves defective:

7. Remove the four screws securing the contactor to the bracket and remove contactor.
8. Install new contactor, replace wires, and replace side panel.
9. Restore power to unit.

2-7. DRIVE MOTOR
REPLACEMENT KIT



Step 4



Step 5

1. Remove electrical power to unit.



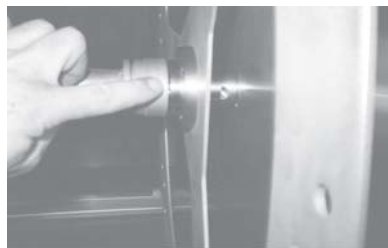
To avoid electrical shock or property damage, move the power switch to OFF and disconnect main circuit breaker, or unplug cord at wall receptacle.

2. Remove rod and discs from unit. (See Cleaning Section of the Operator's Manual.)
3. From the control side of the unit, remove the right side panel.
4. Cut the three wires from the motor.
5. Using 9/16" socket, remove the bolts securing the motor to the bracket, and pull motor from unit.

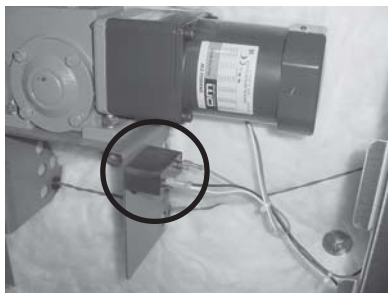
**2-7. DRIVE MOTOR
REPLACEMENT KIT
(Continued)**



Step 6



Step 8



Step 11

6. Slide extension hub (on motor) into slot on the unit, and bolt the motor to the bracket. Snug, but don't tighten nuts.
7. Install discs into unit and place rod into place.
8. Adjust motor on bracket so no more than 1/16" (1.6 mm) gap is present and the end of the rod is even all around hub.

CAUTION

The rod must not have much "play" in it from the disc hub. The gap between the end of the rod and the hub should not be more than 1/16" (1.6 mm) or damage to rod and disc assembly could occur.

9. Once rod is lined up, tighten nuts on bracket.
10. Splice wires of motor onto the cut wires, according to colors.
11. Remove wires to the drive motor capacitor, mounted under the motor. Remove the capacitor from the unit and replace with the one in the kit.
12. Replace side panel and restore power.

**2-8. ROTATION CONTROL
SWITCH**

1. Remove electrical power supplied to unit.

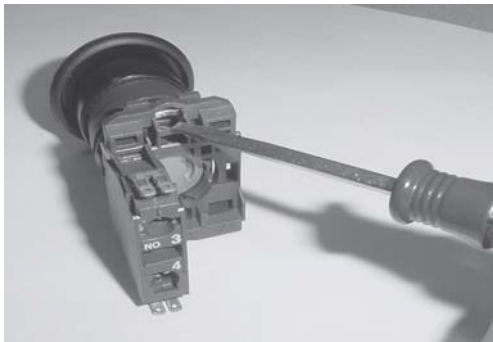


To avoid electrical shock or property damage, move the power switch to OFF and disconnect main circuit breaker, or unplug cord at wall receptacle.

2-8. ROTATION CONTROL SWITCH (Continued)



Step 3



Step 5



Step 6 **Back Ring**



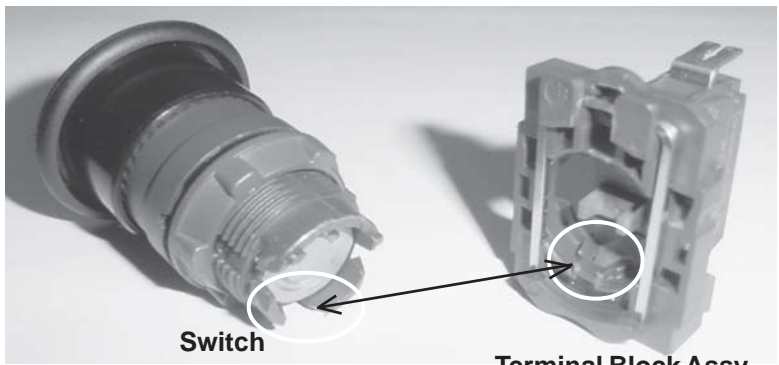
Step 7

2. Remove screws securing the side panel closest to the controls.
3. Remove and label wires from terminals of switch.
4. Take a continuity reading across terminals. If meter shows constant open or closed circuit each time the button is pushed, the switch is defective.
5. For SCR 6, SN: CA0603001 & below
SCR 8, SN: CB0602054 & below
Unscrew the back ring of switch and pull out switch from the front of the unit.

For SCR 6, SN: CA0603002 & above
SCR 8, SN: CB0602055 & above

Remove the terminal block assembly by inserting a small, flat-head screwdriver in the opening at the top of the switch and prying up, as shown in Figure 1. Make sure the end of the screwdriver pries up on the silver release bar. Unscrew the back ring and pull out switch from the front of the unit.

6. Once removed from the packaging, remove the back ring from new switch.
7. Insert the new switch from the front, aligning the arrow on the switch with the notch in the front panel and then secure the switch to the panel with the back ring.
8. Fit the large notch in the switch onto the “cradle” of the terminal block assembly and snap the two pieces together.



Step 8

9. Replace wires on terminals.
10. Replace side panel and restore power.

**2-9. CAPACITOR REPLACE-
MENT - BLOWER MOTOR**

1. Remove electrical power supplied to unit.



To avoid electrical shock or property damage, move the power switch to OFF and disconnect main circuit breaker, or unplug cord at wall receptacle.

2. Remove the side panel closest to the controls.
3. Disconnect wires from wire nuts.
4. Using a 1/2" socket, remove nut securing capacitor to bracket and remove capacitor.
5. Install new capacitor in reverse order.



Step 4

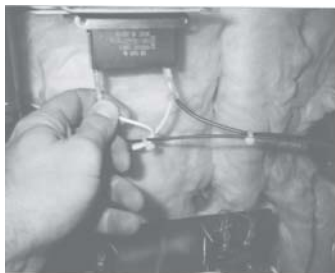
**2-10. CAPACITOR REPLACE-
MENT - DRIVE MOTOR**

1. Remove electrical power supplied to unit.



To avoid electrical shock or property damage, move the power switch to OFF and disconnect main circuit breaker, or unplug cord at wall receptacle.

2. Remove side panel closest to controls.
3. Disconnect wires from capacitor.
4. Remove the three Phillips head screws from the capacitor, and remove capacitor from unit.
5. Install new capacitor in reverse order.



Step 3



Step 4

**2-11. DOOR SENSOR
REPLACEMENT**

1. Remove electrical power supplied to unit.



To avoid electrical shock or property damage, move the power switch to OFF and disconnect main circuit breaker, or unplug cord at wall receptacle.

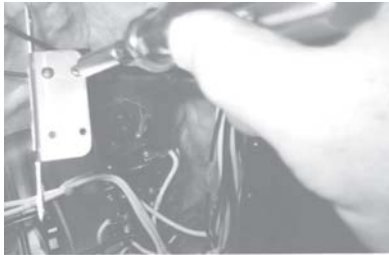
2. Remove appropriate side panel.



Step 4

3. For replacing the sensor on the control side, the control panel and control box must be removed per Control Board Replacement Section.

4. Using a 3/8" socket, remove the nuts securing the sensor bracket, and remove bracket from unit.



Step 5

5. Using a Phillips head screwdriver and a 5/16" wrench, remove screws from switch and remove switch from bracket.

6. Cut wires behind splices and then splice wires of new sensor on existing wires.

7. Install new sensor on bracket, and install bracket assembly onto unit.

8. Replace side panels and restore power to unit.



Step 6



Do not over-tighten the screws securing the sensor to the bracket, or damage to the sensor will result.

2-12. SOCKET - HALOGEN LAMP



Step 4



Step 5

1. Remove electrical power supplied to unit.



To avoid electrical shock or property damage, move the power switch to OFF and disconnect main circuit breaker, or unplug cord at wall receptacle.

2. Remove appropriate side panel.
3. Remove halogen lamp from socket. (See Halogen Lamp Replacement Section.)
4. Cut wires going to the socket, at the white wires, behind the splicers.
5. Remove the two Phillips head screws securing the socket and remove socket from unit.
6. Splice wires of new socket onto existing wires and install socket and lamp back into unit.
7. Replace side panel and restore power to unit.

2-13. POWER SWITCH



Step 3



Step 5

1. Remove electrical power supplied to the unit.



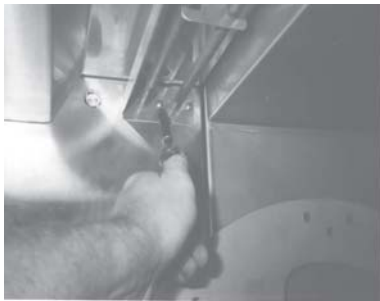
To avoid electrical shock or property damage, move the power switch to OFF and disconnect main circuit breaker, or unplug cord at wall receptacle.

2. Remove the side panel closest to the controls.
3. Remove and label wires from switch.
4. Check for continuity of switch.
5. If switch proves bad, squeeze the flanges on the back side of the switch and pull switch from front of panel.
6. Replace switch in reverse order, and restore power to unit.

2-14. RADIANT HEATERS



Step 2



Step 3



Step 5

1. Remove electrical power to unit.



To avoid electrical shock or property damage, move the power switch to OFF and disconnect main circuit breaker, or unplug cord at wall receptacle.

2. If removing air heaters, remove top vent panel. (See Cleaning Section of Operator's Manual.)
3. Using a Phillips head screwdriver, remove the screws securing the heater to the unit.
4. Remove the wires from the terminals.

Checkout: Use chart below to verify faulty heater by taking an Ohm reading of heater and comparing to the NOMINAL COLD RESISTANCE column.

5. Remove screws from both support brackets, and pull brackets and heater from unit.
6. Install new heater in reverse order.

PART No.	WATTAGE	VOLTS	NOMINAL COLD RESISTANCE
45065-01	2800 WATTS	208 V	14.7
45065-02	1900 WATTS	208 V	21.7
45065-03	1550 WATTS	208 V	26.6
45065-04	-	-	-
45065-05	2800 WATTS	240 V	19.6
45065-06	1900 WATTS	240 V	28.9
45065-07	1550 WATTS	240 V	35.4
45065-08	-	-	-
45065-09	1650 WATTS	208 V	25.0
45065-10	1650 WATTS	240 V	33.2
45065-11	1750 WATTS	208 V	23.5
45065-12	1750 WATTS	240 V	31.3
45065-13	2000 WATTS	208 V	20.6
45065-14	2000 WATTS	240 V	27.4
45065-15	2800 WATTS	230 V	18.0
45065-16	1900 WATTS	230 V	26.5
45065-17	1550 WATTS	230 V	32.5
45065-18	-	-	-
45065-19	1650 WATTS	230 V	30.5
45065-20	1750 WATTS	230 V	28.8
45065-21	-	-	-
45065-22	2000 WATTS	230 V	25.2
45065-23	1150 WATTS	208 V	35.8

The temperature of the heating element would be 70°F

**2-15. CONTROL BOARD
SPEAKER
REPLACEMENT**



Step 4

1. Remove electrical power to unit.



To avoid electrical shock or property damage, move the power switch to OFF and disconnect main circuit breaker, or unplug cord at wall receptacle.

2. Remove the side panel closest to the controls.
3. Unplug the red connector from the board.
4. Using a Phillips head screwdriver, remove the two screws securing the speaker and remove the speaker.
5. Replace with new speaker in reverse order.

**2-16. MEAT PROBE
RECEPTACLE
REPLACEMENT**



Step 3

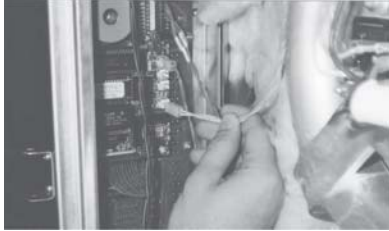
1. Remove electrical power to unit.



To avoid electrical shock or property damage, move the power switch to OFF and disconnect main circuit breaker, or unplug cord at wall receptacle.

2. Remove the side panel closest to the controls.
3. Using a 3/8" socket remove the keps nuts from receptacle bracket and remove bracket from unit.
4. Unplug the 2-pin connector from the P-5 receptacle on the control board.
5. Using a small Phillips head screwdriver, remove the screw securing the probe receptacle to the bracket.
6. Replace with new receptacle in reverse order of previous steps.

2-17. CONTROL BOARD REPLACEMENT



Step 3



Step 4

2-18. RELAYS

1. Remove electrical power supplied to the unit.



To avoid electrical shock or property damage, move the power switch to OFF and disconnect main circuit breaker, or unplug cord at wall receptacle.

2. Remove the Phillips head screws securing the side panel closest to the controls and then remove side panel.
3. Pull connectors from board.
4. Using a 5/16" socket, remove the nuts securing the control board and remove control board.
5. Install new board in reverse order, and restore power to unit.

The solid state relays receive messages from the control board and operate the components in the rotisserie. See wiring diagrams to help locate the desired relay.

Checkout:

1. Remove ele



To avoid electrical shock or property damage, move the power switch to OFF and disconnect main circuit breaker, or unplug cord at wall receptacle.

2. Using a Phillips head screwdriver, remove the side panel closest to the controls.

503

2-18. RELAYS (Continued)



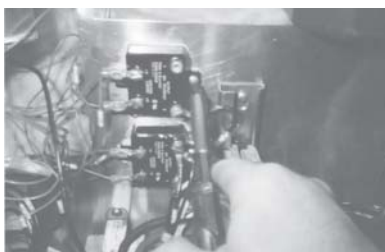
2-13

To avoid electrical shock, make connections before applying power, take reading, and remove power before removing meter leads. The following checks are performed with the wall circuit breaker closed and the main power switch in the ON position.

3. With power reapplied, let unit start heating up, or enter the Tech Mode in Special Program mode and check the relays in the output test. (See Section 4-3 of the Operator's Manual.)
4. With the component energized (example: blower motor), 0 volts should show on the output side of the relay, and 12 volts on the input side.
5. With the component not energized, 208 or 240 volts should show on the output side of relay, and 0 volts on input.
6. If voltage varies from steps 4 and 5, remove power to unit, pull input wires from relay and place leads of meter onto input wires. Reapply power to unit. When unit is running, the input wires to relay should show 12 vdc. If this proves true, the relay is faulty.



Step 8



Step 8

Replacement:

7. Remove power supplied to unit.
8. With wires removed and labeled, use a Phillips head screwdriver and remove appropriate relay from unit.
9. Coat the back of the relay with the thermal joint compound.



Failure to use the thermal joint compound will shorten the life of the relay.

10. Install new relay and replace wires.
11. Replace side panel and reapply power.

2-19. HIGH LIMIT

The high limit is a safety device which senses an overheating situation inside the rotisserie (around 500°F), which shuts the heat off in the unit. Once the temperature inside the unit goes down, then the high limit automatically resets and the unit can then be heated. All SCRs have two high limits. The SCR-6 and SCR-8 both have a 450°F high limit and a 500°F high limit. The SCR-3 has a 285°F high limit and a 450°F high limit.

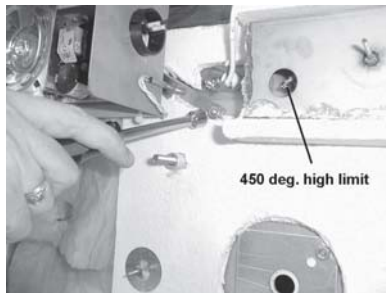


European, CE units have 450°F, manual reset high limits. These have a reset button on them and must be manually pressed. Follow the steps in the procedures in this section to access this high limit.

1. Remove electrical wires from the high limit.



To avoid electrical shock or property damage, move the power switch to OFF and disconnect main circuit breaker, or unplug cord at wall receptacle.



Step 3

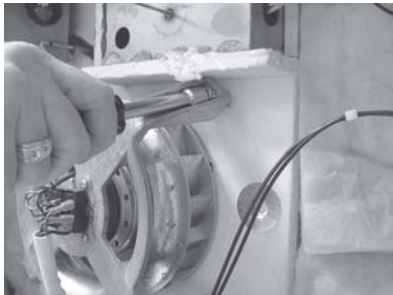
2. Remove the side panel closest to the controls.
3. Pull the wires from the 500°F high limit (285°F on SCR-3s) and check for continuity between the terminals. When the cabinet temperature is below 300°F, the high limit should show continuity. If it does show continuity, continue on with this section. If it doesn't, replace this high limit with a new one and unit should then be ready for use.
4. If the 500°F high limit shows continuity, the 450°F high limit could be bad. To access this high limit, remove the insulation washer from the stud and remove the insulation.



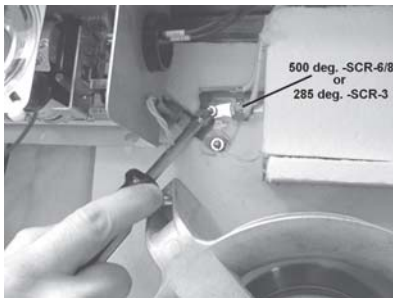
For CE, European units, the reset button can be accessed at this time. Use a pen, pencil, or screwdriver to press the button through the hole in the box. If unit now heats, replace the insulation and side panel and unit is ready for use. If unit does not heat, proceed with the following steps.

2-19. HIGH LIMIT (Continued)

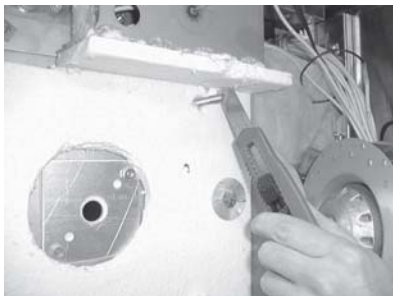
NOTICE



Step 6



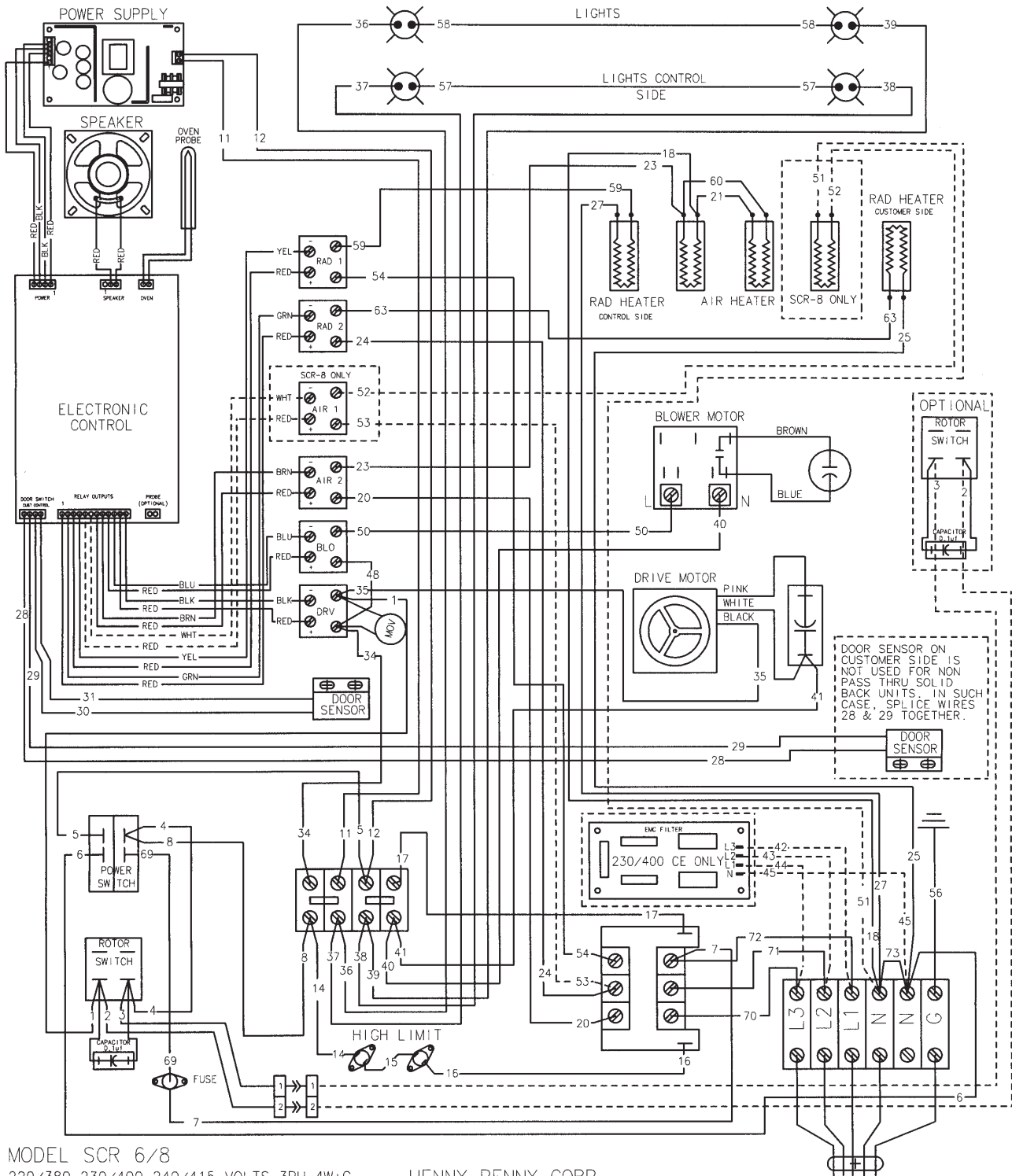
Step 7



Step 8

- Units with a small diameter hole, in the high limit box, must follow the preceding steps to access the wires and mounting nuts of the high limit. Units with a large diameter hole can access the wires and mounting nuts from the hole in the front of the box.
5. Remove the fan assembly from the interior of the unit.
 6. Using a 7/16" socket, remove the nuts securing the blower and pull the blower from the studs.
 7. Using a 3/8" socket, remove the nut securing the probe bracket, and pull the bracket from the stud.
 8. Cut insulation to access the top, right stud of the blower.
 9. Pull the box from the unit to access the high limit.
 10. Pull the wires from the high limit, and take a continuity check across the terminals. If it shows continuity, the high limit is good. If the high limit shows no continuity and the temperature is below 300°F, proceed with the following steps.
 11. Using a 5/16" socket, remove the two nuts securing the high limit and remove the high limit.
 12. Replace with a new high limit and replace the wires.
 13. Replace the box, blower and blower nuts, insulation, insulation washer, probe bracket and nut, and side panel.
 14. Unit is now ready for use.

2-20. WIRING DIAGRAMS



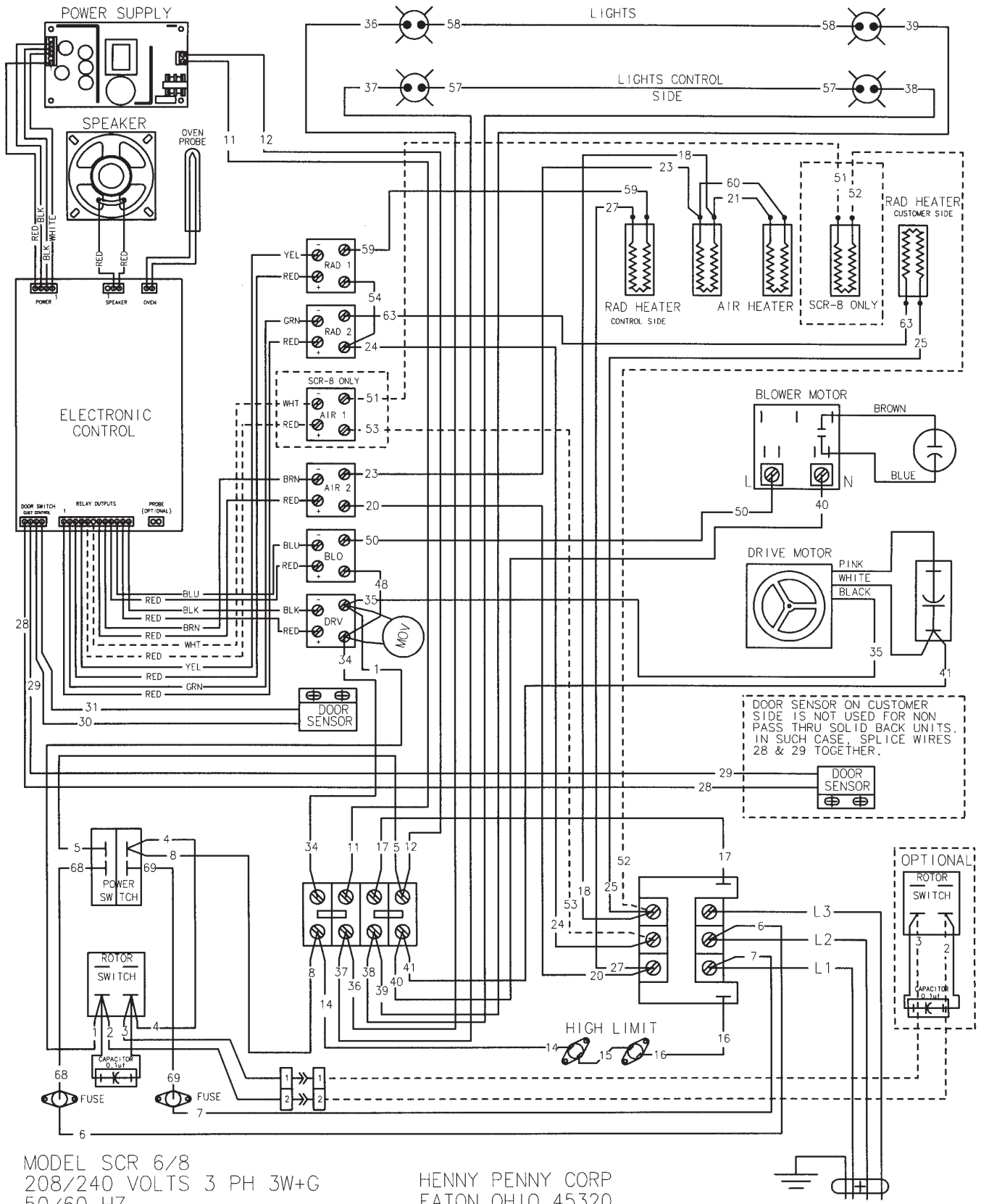
MODEL SCR 6/8
220/380, 230/400, 240/415 VOLTS 3PH 4W+G
WATTS= SEE DATA PLATE, 50/60 HZ

HENNY PENNY CORP
EATON OHIO 45320

FIELD WIRE CONNECTION
49772

(SN: CA0405008 & below)

2-20. WIRING DIAGRAMS (Continued)

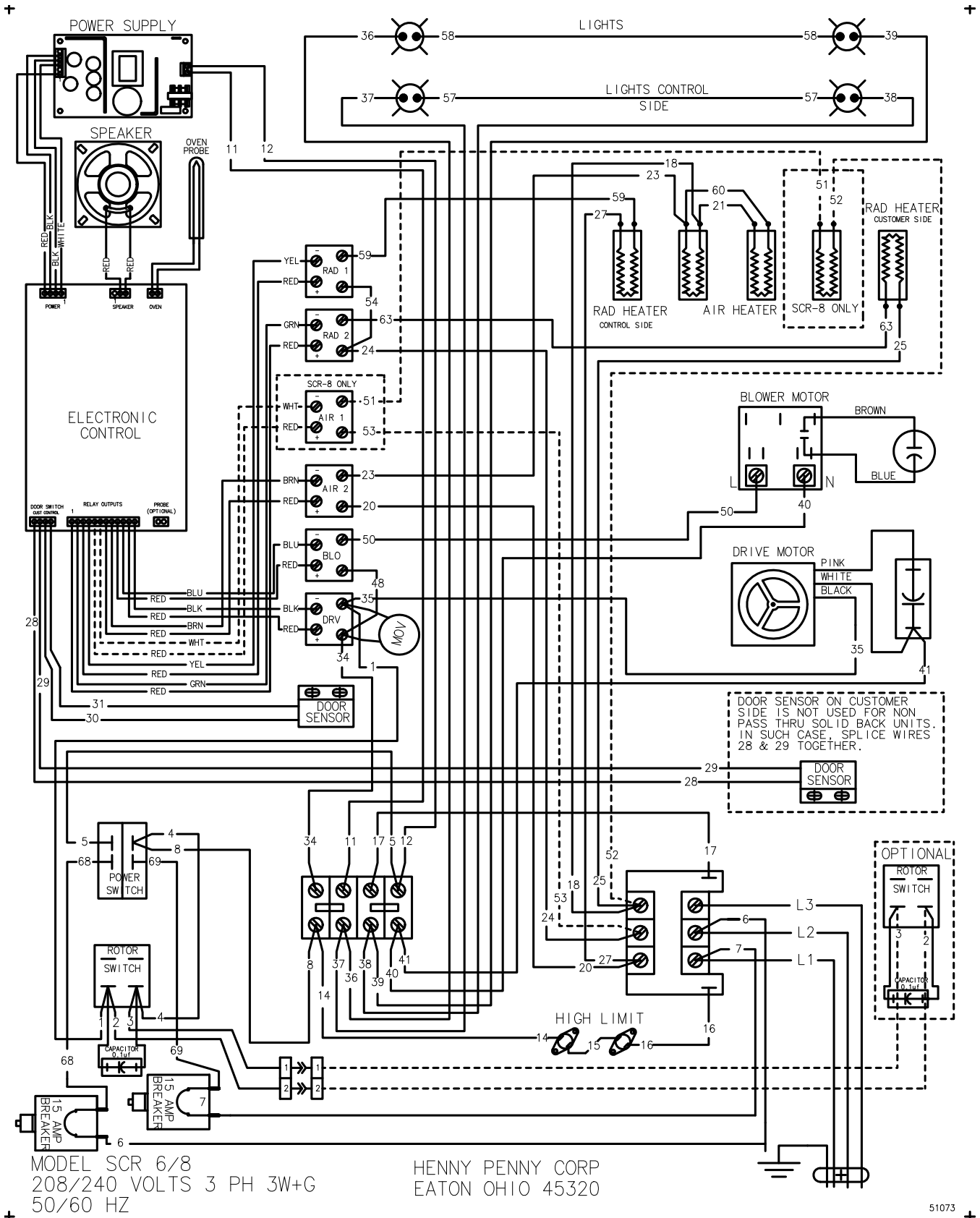


MODEL SCR 6/8
208/240 VOLTS 3 PH 3W+G
50/60 HZ

HENNY PENNY CORP
EATON OHIO 45320

SN: CA0610018 & Below - SCR-6
SN: CB0610032 & Below - SCR-8

51073



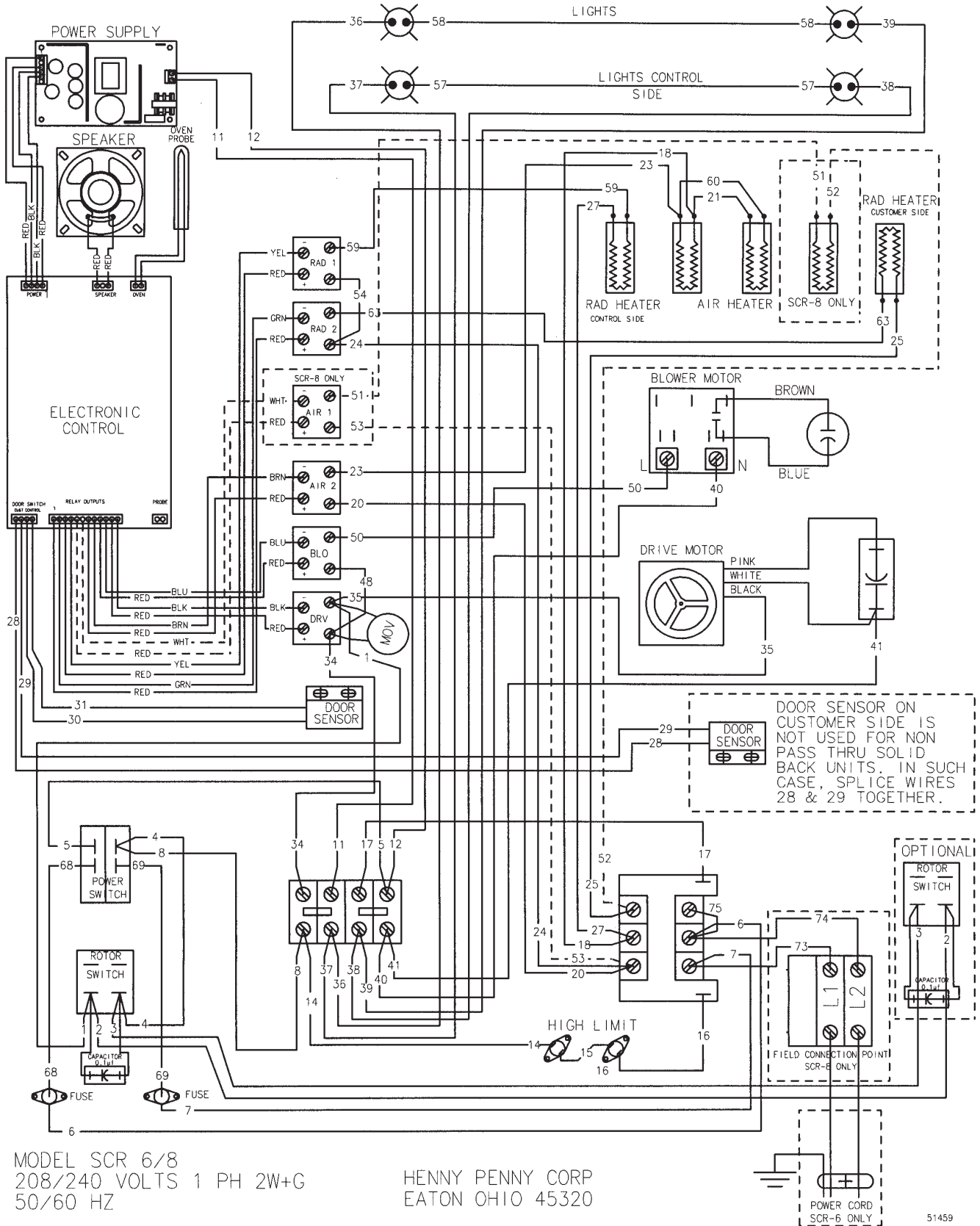
MODEL SCR 6/8
208/240 VOLTS 3 PH 3W+G
50/60 HZ

HENNY PENNY CORP
EATON OHIO 45320

51073

SN: CA0610019 & Above - SCR-6
SN: CB0610033 & Above - SCR-8

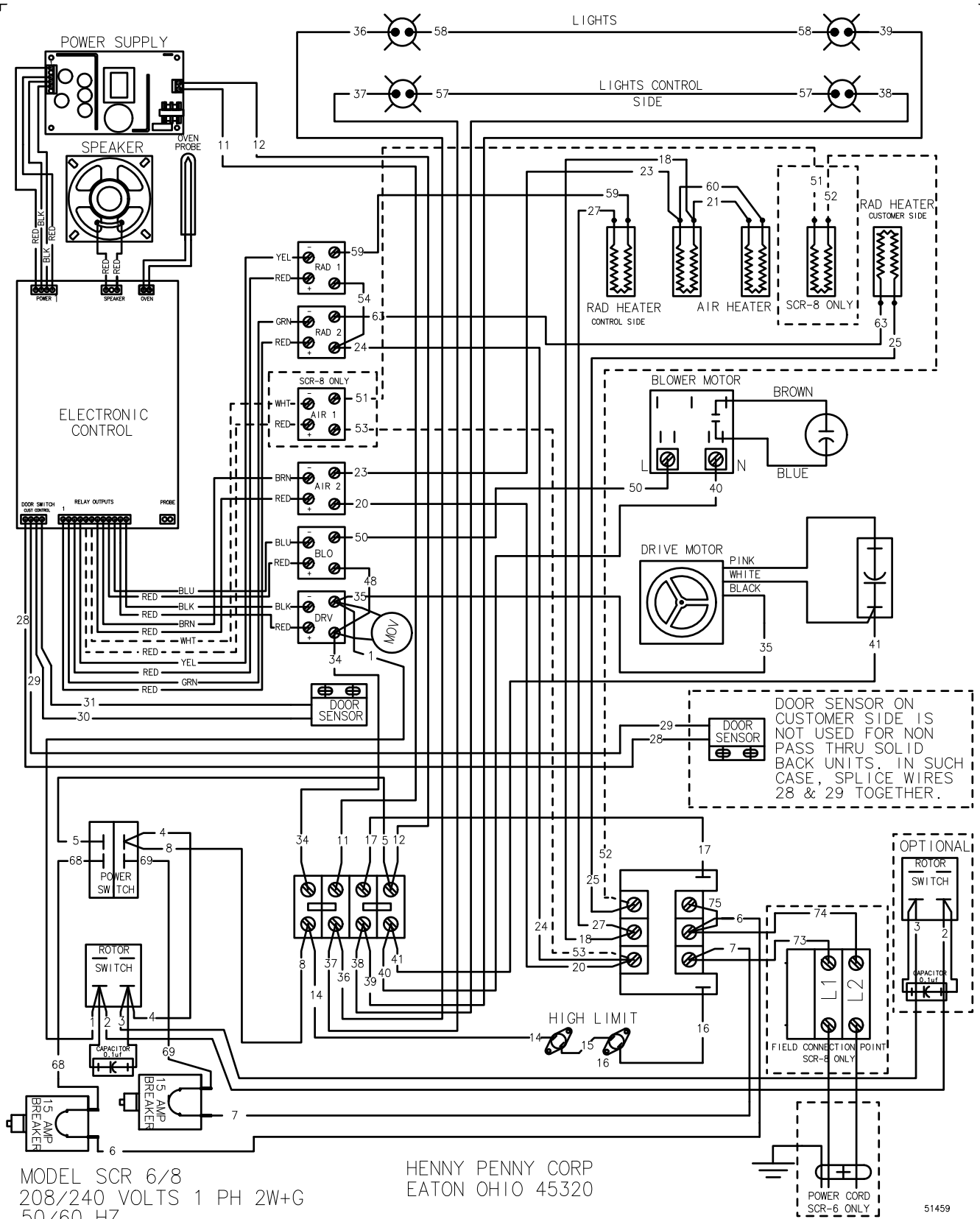
2-20. WIRING DIAGRAMS (Continued)



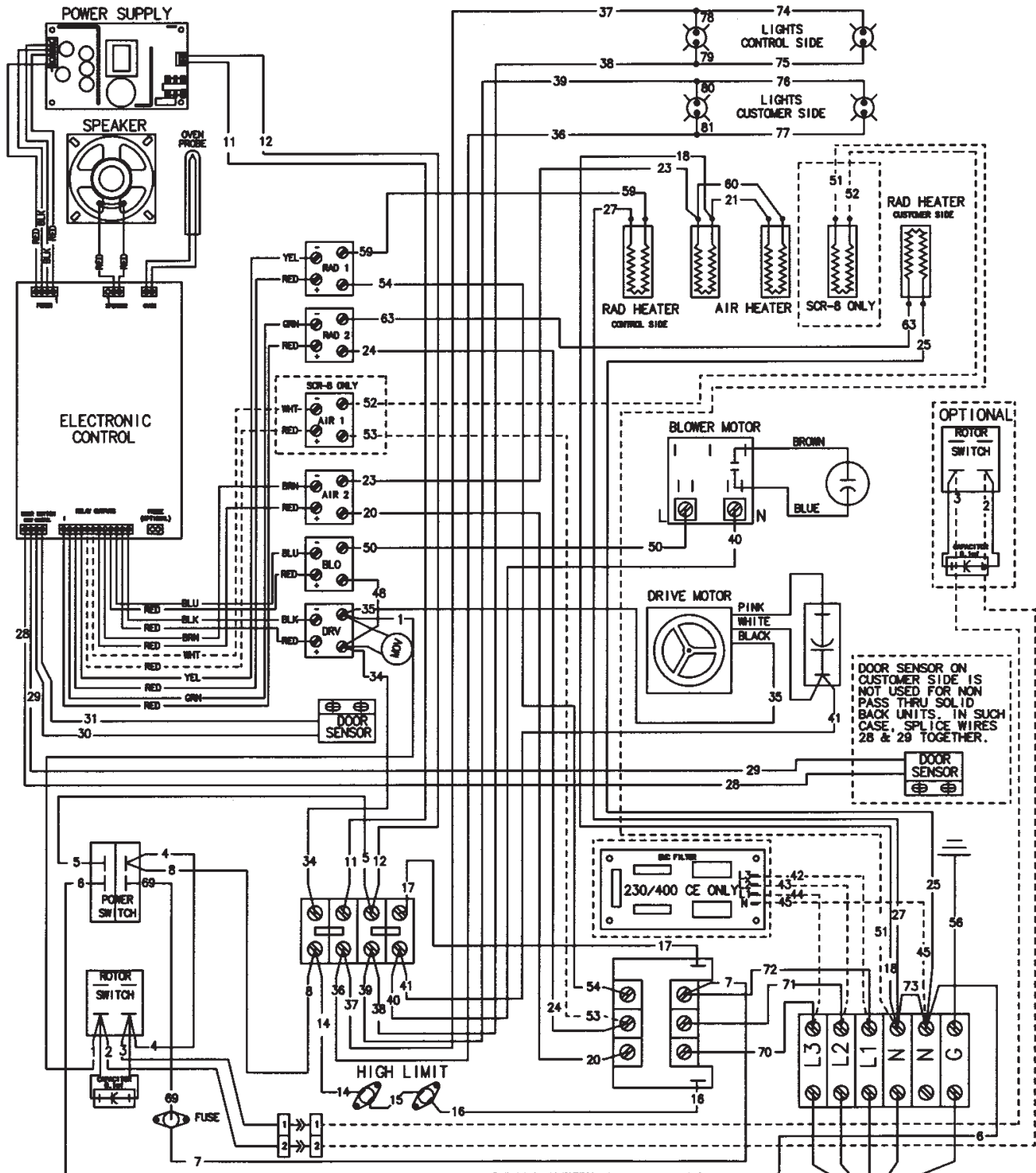
MODEL SCR 6/8
208/240 VOLTS 1 PH 2W+G
50/60 HZ

HENNY PENNY CORP
EATON OHIO 45320

SN: CA0610018 & Below - SCR-6
SN: CB0610032 & Below - SCR-8



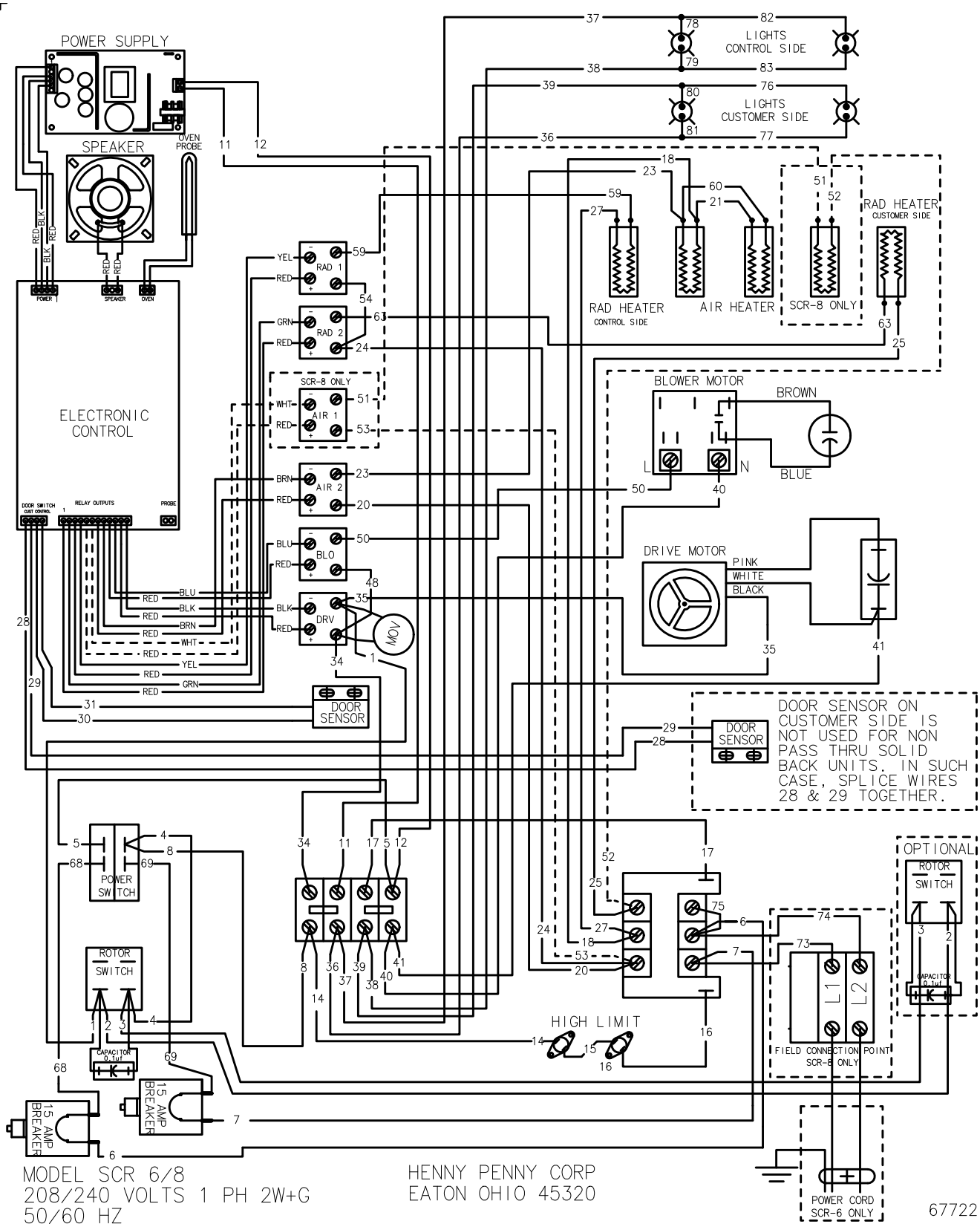
SN: CA0610019 & Above - SCR-6
SN: CB0610033 & Above - SCR-8



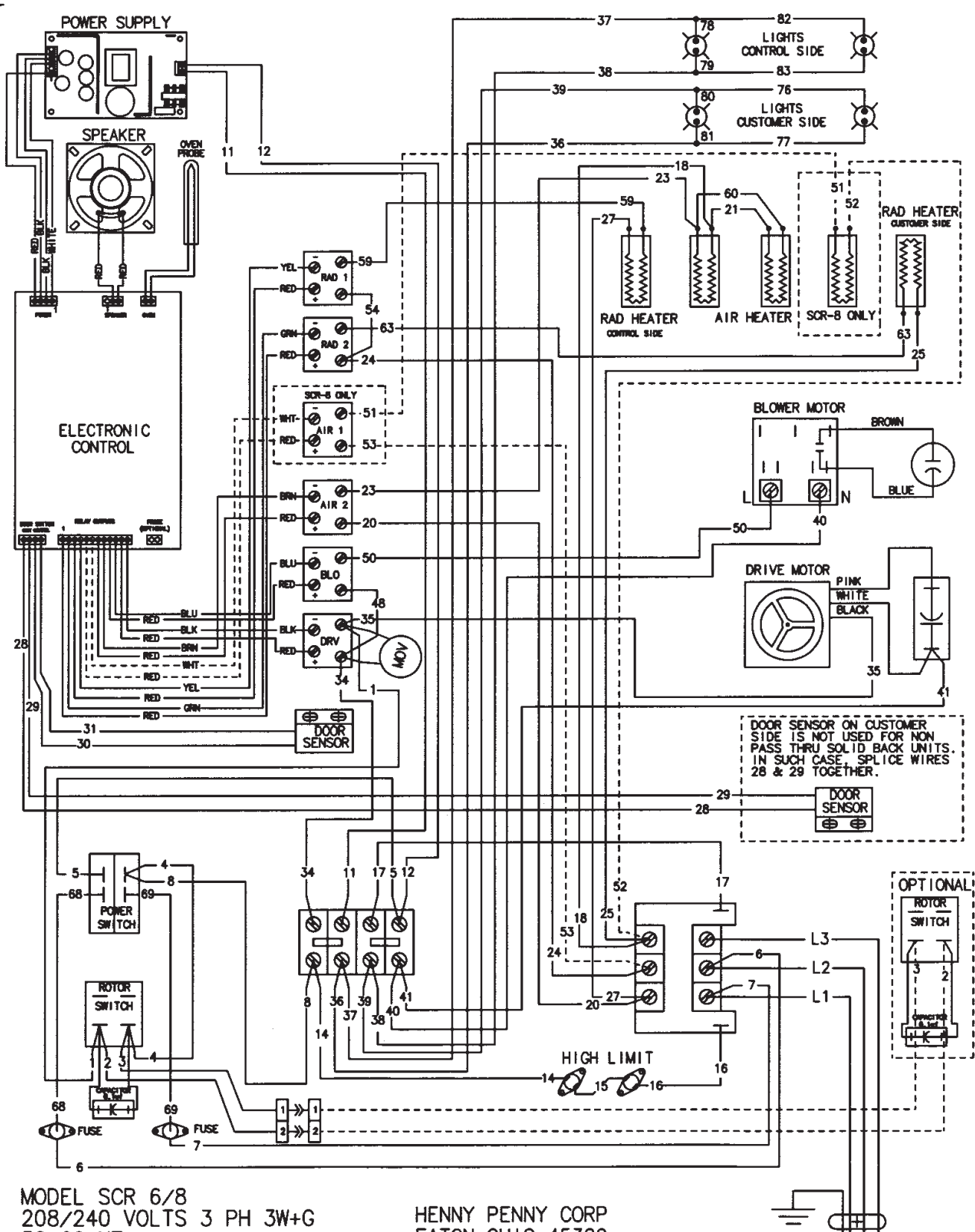
MODEL SCR-6/8 CE
220/380, 230/400, 240/415 VOLTS 3PH 4W+G
WATTS- SEE DATA PLATE, 50 HZ

HENNY PENNY CORP
EATON OHIO 45320

FIELD WIRE CONNECTION
87442



International wiring diagram
SN: CA0610019 & Above - SCR-6
SN: CB0610033 & Above - SCR-8

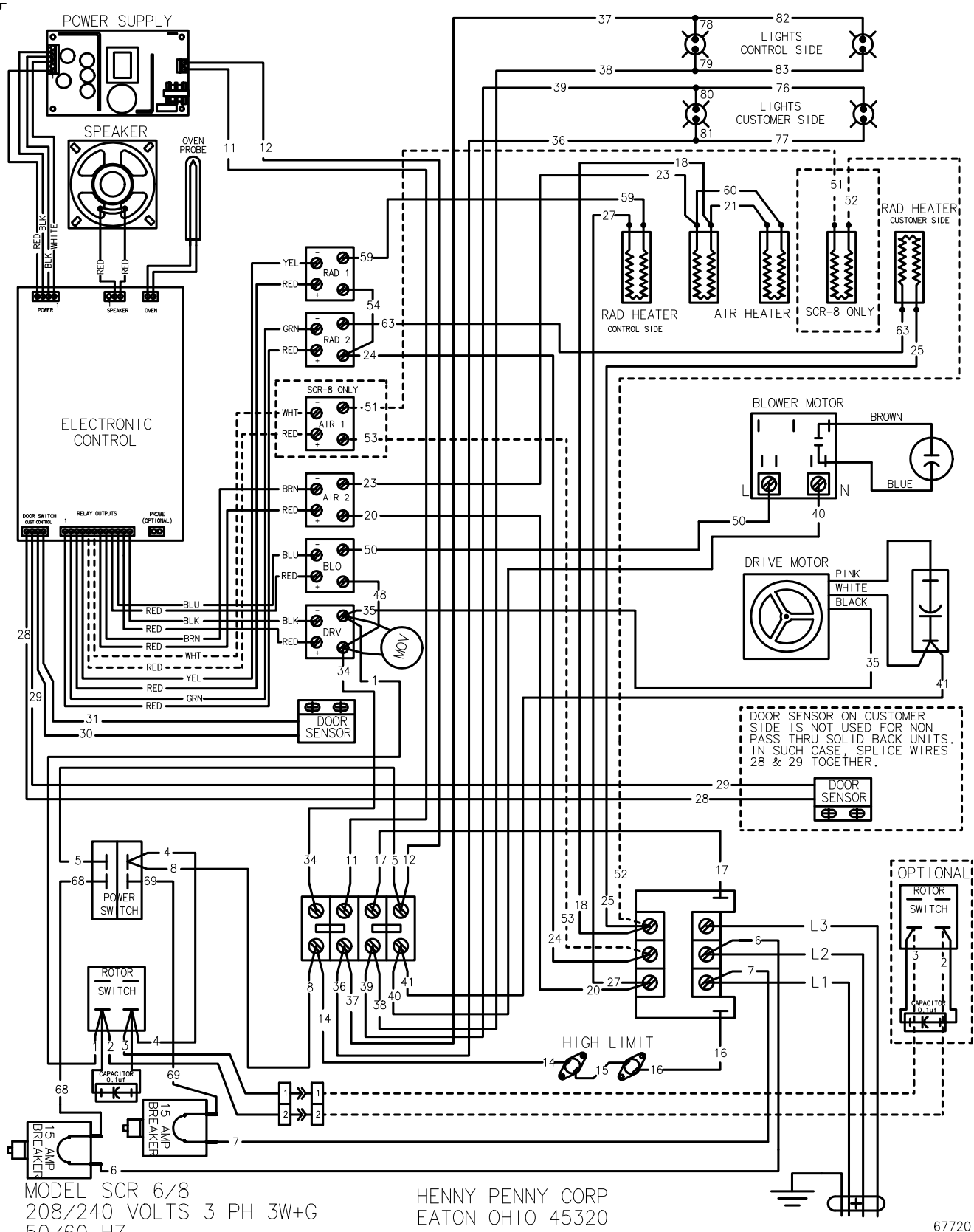


MODEL SCR 6/8
208/240 VOLTS 3 PH 3W+G
50/60 HZ

HENNY PENNY CORP
EATON OHIO 45320

SN: CA0610018 & Below - SCR-6
SN: CB0610032 & Below - SCR-8

67720



MODEL SCR 6/8
208/240 VOLTS 3 PH 3W+G
50/60 HZ

HENNY PENNY CORP
EATON OHIO 45320

67720

SN: CA0610019 & Above - SCR-6
SN: CB0610033 & Above - SCR-8

LIMITED WARRANTY FOR HENNY PENNY EQUIPMENT

Subject to the following conditions, Henny Penny Corporation makes the following limited warranties to the original purchaser only for Henny Penny appliances and replacement parts:

NEW EQUIPMENT: Any part of a new appliance, except baskets, lamps, and fuses, which proves to be defective in material or workmanship within two (2) years from date of original installation, will be repaired or replaced without charge F.O.B. factory, Eaton, Ohio, or F.O.B. authorized distributor. Baskets will be repaired or replaced for ninety (90) days from date of original installation. Lamps and fuses are not covered under this Limited Warranty. To validate this warranty, the registration card for the appliance must be mailed to Henny Penny within ten (10) days after installation.

FILTER SYSTEM: Failure of any parts within a fryer filter system caused by the use of the non-OEM filters or other unapproved filters is not covered under this Limited Warranty.

REPLACEMENT PARTS: Any appliance replacement part, except lamps and fuses, which proves to be defective in material or workmanship within ninety (90) days from date of original installation will be repaired or replaced without charge F.O.B. factory, Eaton, Ohio, or F.O.B. authorized distributor.

The warranty for new equipment covers the repair or replacement of the defective part and includes labor charges and maximum mileage charges of 200 miles round trip for a period of one (1) year from the date of original installation.

The warranty for replacement parts covers only the repair or replacement of the defective part and does not include any labor charges for the removal and installation of any parts, travel, or other expenses incidental to the repair or replacement of a part.

EXTENDED FRYPOT WARRANTY: Henny Penny will replace any frypot that fails due to manufacturing or workmanship issues for a period of up to seven (7) years from date of manufacture. This warranty shall not cover any frypot that fails due to any misuse or abuse, such as heating of the frypot without shortening.

0 TO 3 YEARS: During this time, any frypot that fails due to manufacturing or workmanship issues will be replaced at no charge for parts, labor, or freight. Henny Penny will either install a new frypot at no cost or provide a new or reconditioned replacement fryer at no cost.

3 TO 7 YEARS: During this time, any frypot that fails due to manufacturing or workmanship issues will be replaced at no charge for the frypot only. Any freight charges and labor costs to install the new frypot as well as the cost of any other parts replaced, such as insulation, thermal sensors, high limits, fittings, and hardware, will be the responsibility of the owner.

Any claim must be presented to either Henny Penny or the distributor from whom the appliance was purchased. No allowance will be granted for repairs made by anyone else without Henny Penny's written consent. If damage occurs during shipping, notify the sender at once so that a claim may be filed.

THE ABOVE LIMITED WARRANTY SETS FORTH THE SOLE REMEDY AGAINST HENNY PENNY FOR ANY BREACH OF WARRANTY OR OTHER TERM. BUYER AGREES THAT NO OTHER REMEDY (INCLUDING CLAIMS FOR ANY INCIDENTAL OR CONSEQUENTIAL DAMAGES) SHALL BE AVAILABLE.

The above limited warranty does not apply (a) to damage resulting from accident, alteration, misuse, or abuse; (b) if the equipment's serial number is removed or defaced; or (c) for lamps and fuses. THE ABOVE LIMITED WARRANTY IS EXPRESSLY IN LIEU OF ALL OTHER WARRANTIES, EXPRESS OR IMPLIED, INCLUDING MERCHANTABILITY AND FITNESS, AND ALL OTHER WARRANTIES ARE EXCLUDED. HENNY PENNY NEITHER ASSUMES NOR AUTHORIZES ANY PERSON TO ASSUME FOR IT ANY OTHER OBLIGATION OR LIABILITY.

Revised 01/01/07

SECTION 3. PARTS INFORMATION

3-1. INTRODUCTION

This section identifies and lists the replaceable parts of the Henny Penny SCR Rotisserie.

3-2. GENUINE PARTS

Use only genuine Henny Penny parts in your cabinet. Using a part of lesser quality or substitute design may result in cabinet damage or personal injury.

3-3. HOW TO ORDER

Once the part you want to order has been found in the Parts List, write down the following information:

1. From the Parts List

(Sample)

Item Number 3

Part Number 40241

Description LHHub

2. From the data plate

(Sample)

Product Number SCR6.0

Serial Number AE001IH

Voltage 208V

3-4. PRICES

Your distributor has a price parts list and will be glad to inform you of the cost of your parts order.

3-5. DELIVERY

Commonly replaced items are stocked by your distributor and will be sent out when your order is received. Other parts will be ordered by your distributor from Henny Penny Corporation. Normally, these will be sent to your distributor within three working days.

3-6. WARRANTY

All replacement parts (except lamps and fuses) are covered under warranty for 90 days against manufacturing defects and workmanship. If damage occurs during shipping, notify the carrier at once so that a claim may be properly filed. Refer to warranty on the front of this section for other rights and limitations.

3-7. RECOMMENDED SPARE PARTS FOR DISTRIBUTORS

Recommended replacement parts, stocked by your distributor, are indicated with ✓ in the parts lists. Please use care when ordering recommended parts, because all voltages and variations are marked. Distributors should order parts based upon common voltages and equipment sold in their territory.

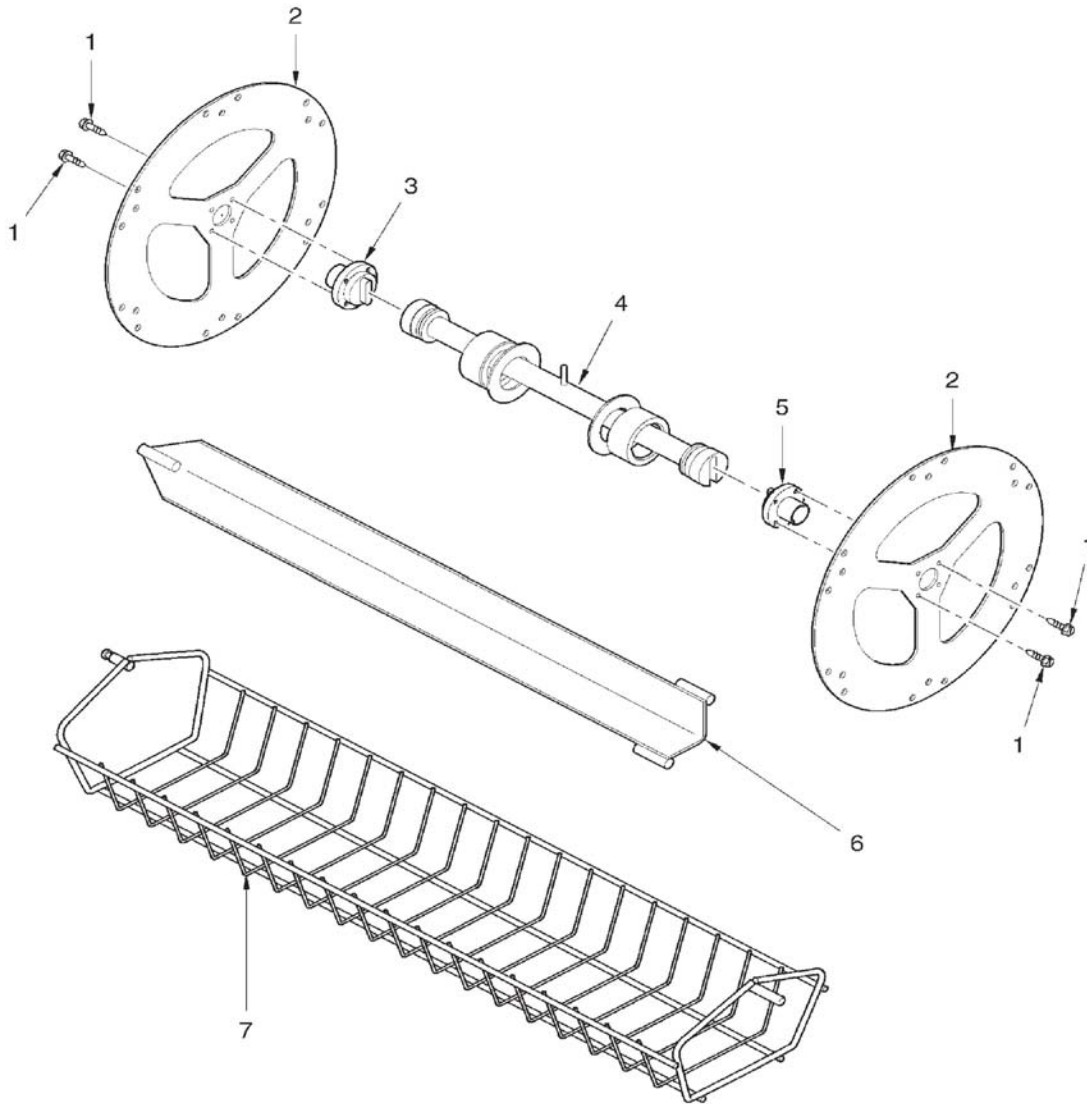


Figure 3-1. Drive Assembly

FIGURE & ITEM NO.	PART NO.	DESCRIPTION	QTY. SCR-8	QTY. SCR-6
1	SC01-172	SCREW 1/4-20 X 3/8 PH THD SS	8	8
2	40927	DISC - FINISH - SCR-6	-	2
2	49195	DISC - COATED - SCR-6	-	2
2	40926	DISC - FINISH - SCR-8	2	-
2	49184	DISC - COATED - SCR-8	2	-
2	41350	LH DISC ASSY - COMPLETE - SCR-8	1	-
2	49182	LH DISC ASSY-COATED - COMPLETE - SCR-8 (Walmart use 12/20/10 & after)	1	-
2	41349	RH DISC ASSY - COMPLETE - SCR-8	1	-
2	49183	RH DISC ASSY-COATED - COMPLETE - SCR-8 (Walmart use 12/20/10 & after)	1	-
2	40992	LH DISC ASSY - COMPLETE - SCR-6	-	1
2	49193	LH DISC ASSY-COATED - COMPLETE - SCR-6	-	1

FIGURE & ITEM NO.	PART NO.	DESCRIPTION	QTY. SCR-8	QTY. SCR-6
3-1		DRIVE ASSEMBLY (Contd)		
2	40991	RH DISC ASSY - COMPLETE - SCR-6	-	1
2	49194	RH DISC ASSY-COATED - COMPLETE - SCR-6	-	1
2	58141	LH DISC ASSY-6 BSKT (ALBERTSONS)	1	-
2	58142	DRIVE DISC ASSY-6 BSKT (ALBERTSONS)	1	-
2	67666	ASSY- DRIVE DISC-COATED 7 BSKT (Walmart use before 12/20/10)	1	-
2	67665	ASSY- LH DISC-COATED 7 BSKT (WALMART) (Walmart use before 12/20/10)	1	-
3	40241	LH HUB	1	1
3	49186	LH HUB - COATED	1	1
4	40827	WELDMENT - DRIVE TUBE - SCR-8	1	-
4	49185	WELDMENT - DRIVE TUBE - SCR-8 - COATED	1	-
4	40826	WELDMENT - DRIVE TUBE - SCR-6	-	1
4	49192	WELDMENT - DRIVE TUBE - SCR-6 - COATED	-	1
5	40242	HUB - DRIVE SIDE	1	1
5	49187	HUB - DRIVE SIDE - COATED	1	1
6	40213	SPIT - WELDMENT - SCR-8	8	-
6	49178	SPIT - WELDMENT - SCR-8 - COATED	8	-
6	40613	SPIT - WELDMENT - SCR-6	-	6
6	49188	SPIT - WELDMENT - SCR-6 - COATED	-	6
6	03469*	SPIT - PIERCING - SCR-8	8	-
6	51268*	SPIT - PIERCING - SCR-8 - COATED	8	-
6	63739*	SPIT - PIERCING - SCR-6	-	6
6	64087*	SPIT - PIERCING - SCR-6 - COATED	-	6
7	03467	BASKET - STD. - SCR-8	8	-
7	03605	BASKET - COATED - SCR-8	8	-
7	03473	BASKET - STD. - SCR-6	-	6
7	03604	BASKET - COATED - SCR-6	-	6
7	43804*	SOLID BOTTOM BASKET ASSY. - SCR-6	-	6
7	43805*	SOLID BOTTOM BASKET ASSY. - SCR-8	8	-
7	43813*	GRID - SOLID BASKET - SCR-6	-	6
7	43815*	GRID - SOLID BASKET - SCR-8	8	-
7	03504*	BASKET-SCR8 COATED CHICKEN (WALMART)	7	-
7	03503*	BASKET-SCR8 UN-COATED CHICKEN (WALMART)	7	-
7	03509*	BASKET - SCR8 - BUTTERFLY	8	-
7	03511*	BASKET - SCR6 - BUTTERFLY	-	6

* Not Shown

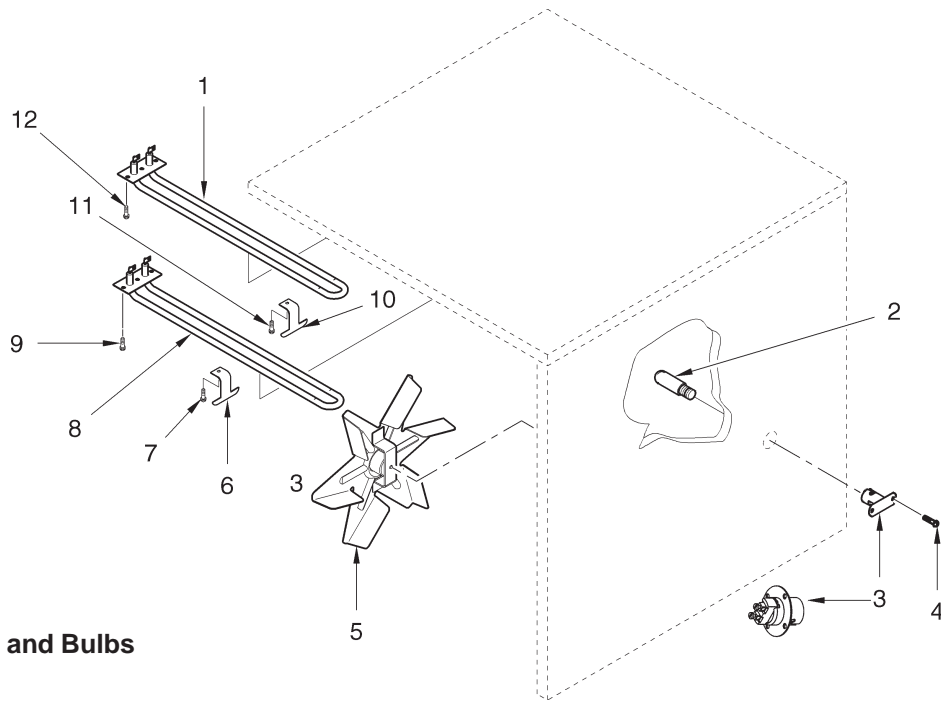


Figure 3-2. Heaters and Bulbs

ITEMNO.	PART NO.	DESCRIPTION	QTY. SCR-8	QTY. SCR-6
√ 1	45065-09	AIR HEATER-208V 1650W	3	-
√ 1	45065-10	AIR HEATER-240V 1650W	3	-
√ 1	45065-19	AIR HEATER-230V 1650W	3	-
√ 1	45065-03	AIR HEATER-208V 1550W	-	2
√ 1	45065-23	AIR HEATER-208V 1150W	-	2
√ 1	45065-07	AIR HEATER-240V 1550W	-	2
√ 1	45065-17	AIR HEATER-230V 1550W	-	2
√ 2	BL01-011	HALOGEN BULBS - 150W-120V	4	4
√ 2	BL01-022	HALOGEN BULBS-200W-230V-CE ONLY (SN: CA0405009 & ABOVE)	4	4
√ 3	79656	ASSY - LAMP SOCKET - 250V-10 AMP (SN: CA0405008 & BELOW-CE ONLY) (SN: CB0902016 & BELOW-ALL SCR'S)	4	4
√ 3	67441	LAMP SOCKET - 250V-10 AMP (4 SCREWS) (SN: CA0405009 & ABOVE-CE ONLY) (SN: CB0902017 & ABOVE ALL SCR'S)	4	4
4	SC04-017	SCREW	8	8
5	44029	FAN BLADE ASSY.	1	1
√ 6	67983	HEATER BRACKET	2	2
7	SC02-041	SCREW	2	2
√ 8	45065-01	RADIANT HEATER-208V 2800W	2	-
√ 8	45065-05	RADIANT HEATER-240V 2800W	2	-
√ 8	45065-03	RADIANT HEATER-208V 1550W	-	2
√ 8	45065-23	RADIANT HEATER-208V 1150W	-	2
√ 8	45065-07	RADIANT HEATER-240V 1550W	-	2
√ 8	45065-22	RADIANT HEATER-230V 2000W	2	-
9	SC02-041	SCREW	6	6
10	67983	HEATER BRACKET	3	2
11	SC02-041	SCREW	3	2
12	SC02-041	SCREW	9	6
13*	21657	LAMP GUARD - SCR-6	-	1
13*	21658	LAMP GUARD - SCR-8	1	-
14*	14241	KIT-SCR-8 DEFLECTOR-RADIANT HTR	1	-
14*	14725	KIT-SCR-6 DEFLECTOR-RADIANT HTR	-	1

√ recommended parts/*not shown

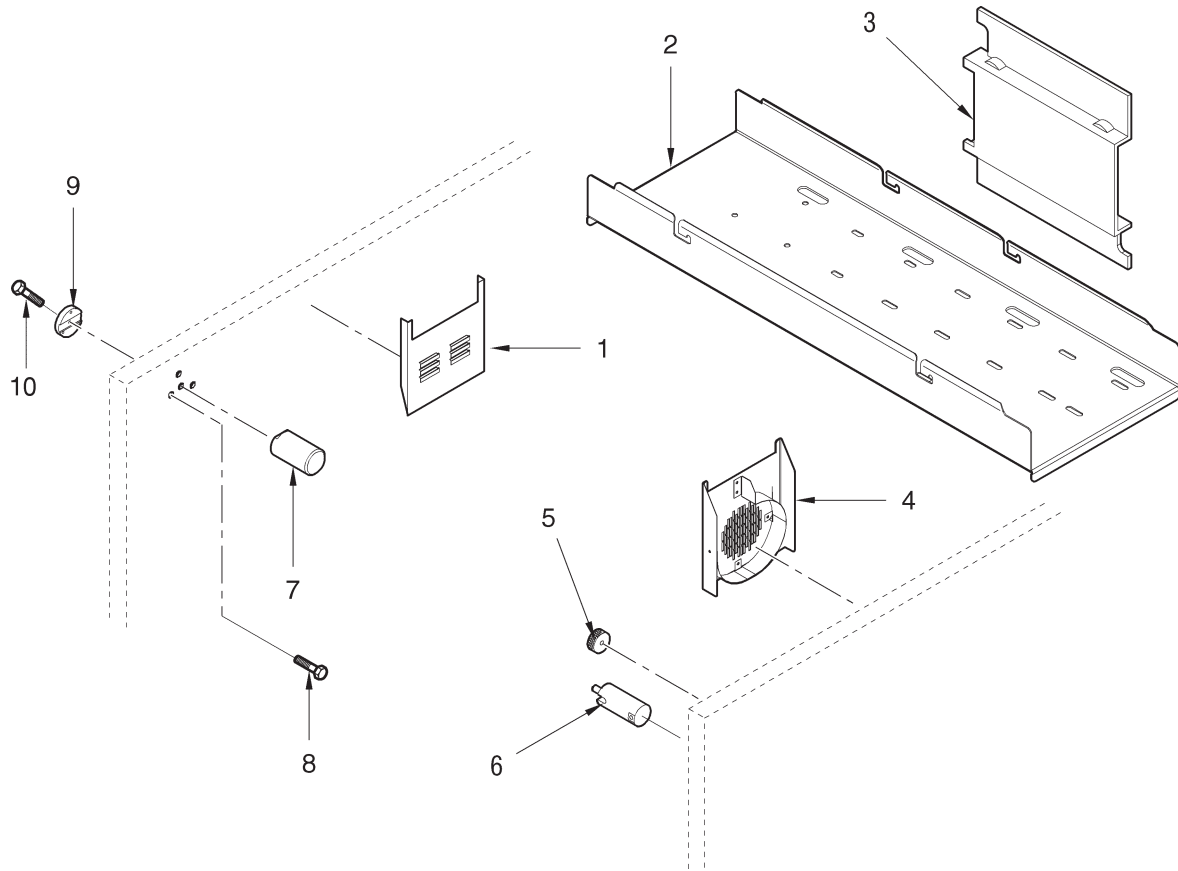


Figure 3-3. Ducts

ITEM NO.	PART NO.	DESCRIPTION	QTY. SCR-8	QTY. SCR-6
1	40577	REMOVABLE DUCT-L.H	1	-
1	49179	REMOVABLE DUCT-L.H. COATED	1	-
1	40707	REMOVABLE DUCT-L.H	-	1
1	49189	REMOVABLE DUCT-L.H COATED	-	1
2	40049	TOP REMOVABLE DUCT	1	-
2	40581	TOP REMOVABLE DUCT	-	1
3	63890	INSULATION, TOP AIR DUCT	1	1
4	40309	REMOVABLE DUCT-BLOWER-SCR8	1	-
4	43517	REMOVABLE DUCT-BLOWER-SCR6-SN: CA0601003 & BELOW	-	1
4	71428	REMOVABLE DUCT-BLOWER-SCR6-SN: CA0601004 & ABOVE	-	1
4	49180	REMOVABLE DUCT-BLOWER-COATED	1	-
4	49190	REMOVABLE DUCT-BLOWER-COATED-SN: CA0601003 & BELOW	-	1
4	71429	REMOVABLE DUCT-BLOWER-COATED-SN: CA0601004 & ABOVE	-	1
5	40932	REMOVABLE DUCT KNOB	1	1
6	40243	ADAPTER HUB	1	1
√ 7	140070	KIT - BEARING ASSEMBLY	1	1
8	SC01-146	SCREW	3	3
9	40240	PLATE	1	1
10	SC01-188	SCREW	1	1
11	14962*	KIT-SCR8-AIR DIFUSER	1	-

*not shown

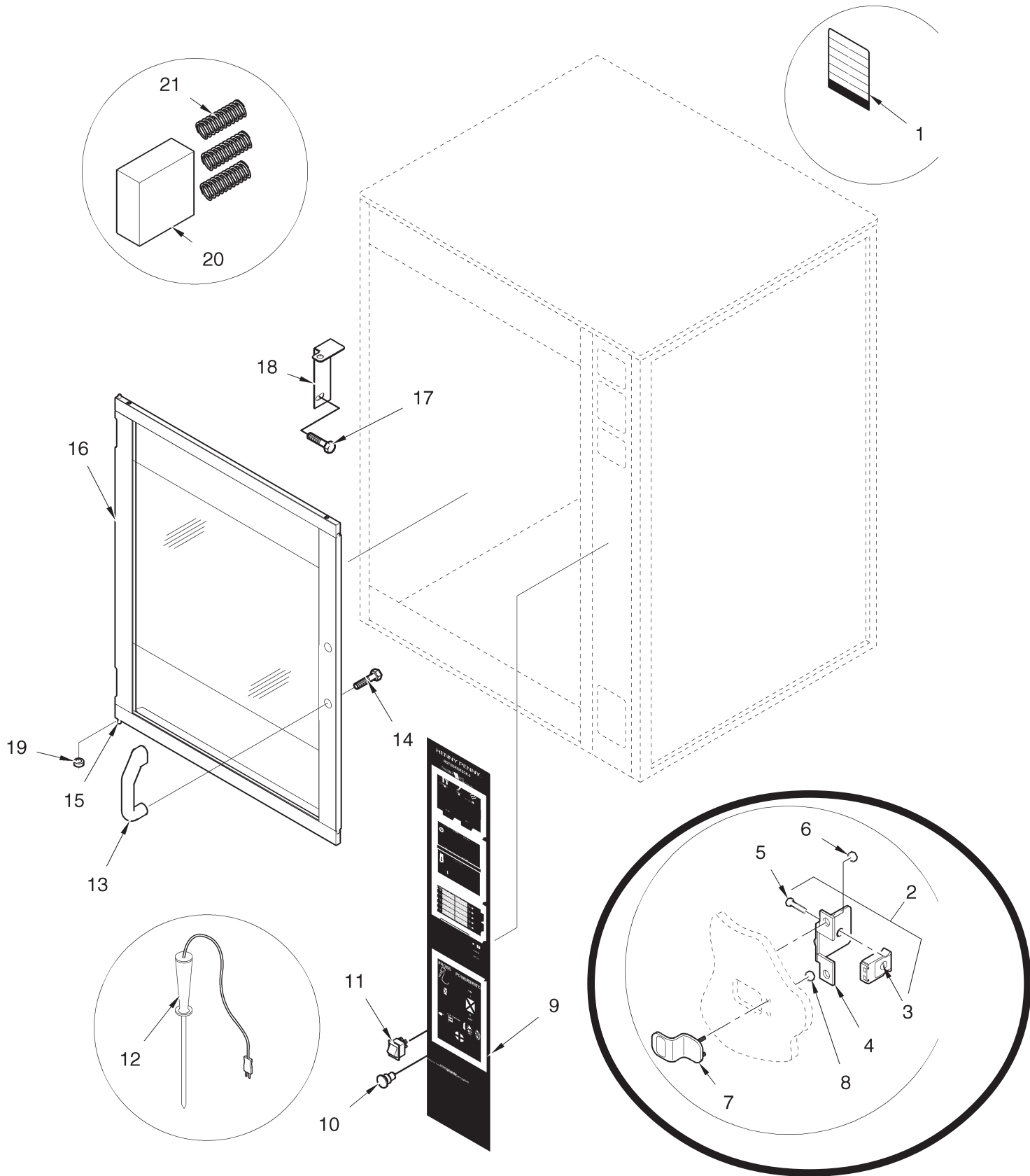


Figure 3-4. Controls and Doors

FIGURE & ITEM NO.	PART NO.	DESCRIPTION	QTY. SCR-8	QTY. SCR-6
3-4		CONTROLS & DOORS		
1	52307	MENU CARD	5	5
√ 2	140011	MEAT PROBE RECEPTACLE/WIRE ASSY	1	1
3	NS02-009	. NUT	1	1
4	40823	. BRACKET	1	1
5	SC01-139	. SCREW	1	1
6	NS02-006	NUT	2	2
7	49604	PROBE GUARD	1	1
8	NS02-005	NUT	2	2
9	-	USE 75046 & 74063 -CONTROL DECAL-SCR-6	-	1
√ 10	14773	ROTATION SWITCH ASSY	1	1
√ 11	72277	POWER SWITCH	1	1
√ 12	59363	MEAT PROBE	1	1
13	44757	DOOR HANDLE	1	1
14	SC06-057	SCREW	2	2
15	PN01-024	DOWEL PIN - 1/4 X 2"	4	4
16	49261	DOOR ASSY.-CONTROL SIDE W/ HANDLE	-	1
16	49262	DOOR ASSY-MIRRORED-CONTROL SIDE W/ HANDLE	-	1
16	49263	DOOR ASSY. CUST. SIDE W/O HANDLE	-	1
16	49264	DOOR ASSY. CUST. SIDE W/ HANDLE	-	1
16	24170	DOOR ASSY. CURVED GLASS - SCR-6	-	1
17	SC01-074	SCREW	4	4
18	48549	HINGE - CONTROL SIDE	1	1
18	48567	HINGE - CUSTOMER SIDE	1	1
19	39752	BUSHING - DOOR	2	2
20	70096	DOOR STOP	2	2
21	40759	SPRING	6	6
22	61736*	DECAL-CUST SIDE ROTATION	1	1
23	49813*	WIRE ASSY-PWR SUPPLY	1	1

√ recommended parts

* Not Shown

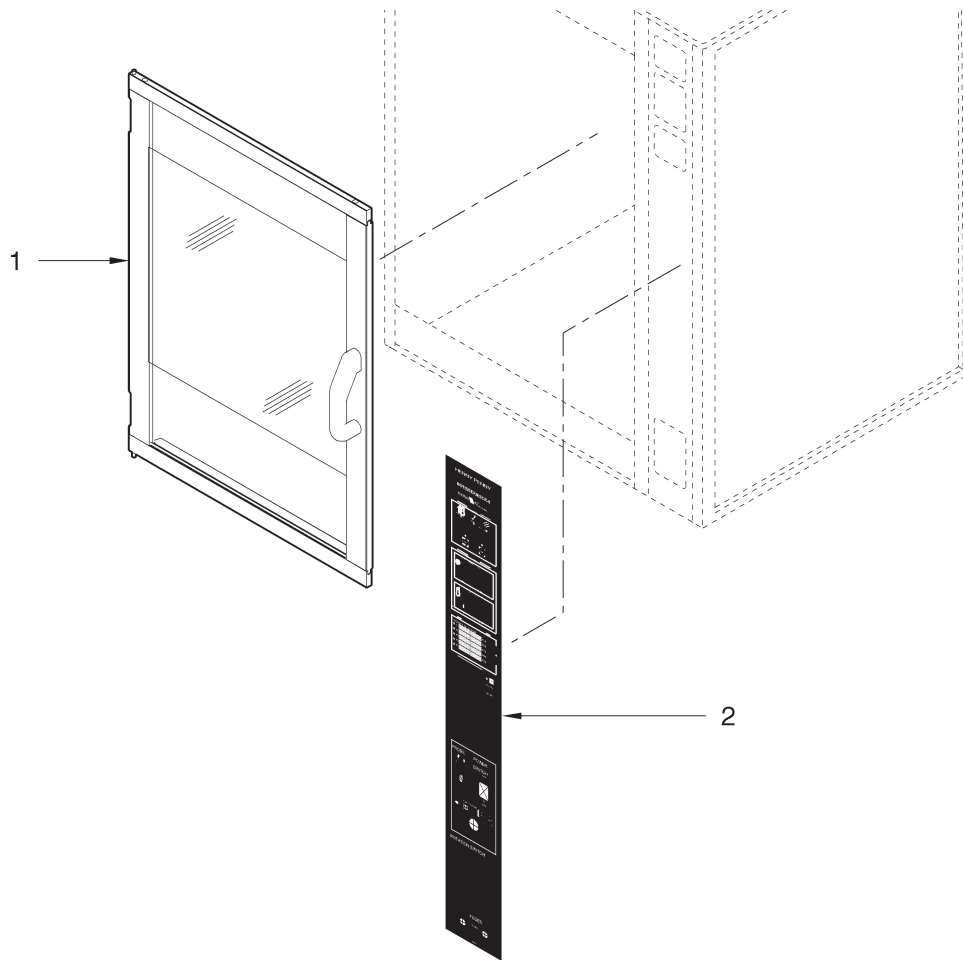


Figure 3-5. SCR-8 Short and Tall Units Special Parts

ITEM NO.	PART NO.	DESCRIPTION	QTY. SCR-8
1	59745	DOOR ASSY-CNTRL. SIDE W/ HNDL-SHORT (SN: JE049JJ & UP)	1
1	59784	DOOR ASSY-MIR.CNTRL SIDE W/ HNDL-SHORT (SN: JE049JJ & UP)	1
1	59772	DOOR ASSY, CUST SIDE W/O HNDL-SHORT (SN: JE049JJ & UP)	1
1	59785	DOOR ASSY, CUST SIDE W/ HNDL-SHORT (SN: JE049JJ & UP)	1
1	21463	DOOR ASSY, CURVED GLASS-SHORT (SN: JE049JJ & ABOVE)	1
1	49751	DOOR ASSY, CNTRL SIDE W/ HNDL-TALL (SN: JE048JJ & BELOW)	1
1	49752	DOOR ASSY, MIR., CNTRL SIDE W/ HNDL-TALL (SN: JE048JJ & BELOW)	1
1	49753	DOOR ASSY. CUST SIDE W/O HNDL-TALL (SN: JE048JJ & BELOW)	1
1	49754	DOOR ASSY. CUST SIDE W/ HNDL-TALL (SN: JE048JJ & BELOW)	1
2	-	USE 74062 & 74063 -CONTROL DECAL-SHORT (SN: JE049JJ & ABOVE)	1
2	49607	CONTROL DECAL-TALL (SN: JE048JJ & BELOW)	1
2	61472	CONROL DECAL (POLLO)-TALL (SN: JE048JJ & BELOW)	1
2	-	USE 75047 & 74063 - CONTROL DECAL - NO PROBE (WAL-MART)	1

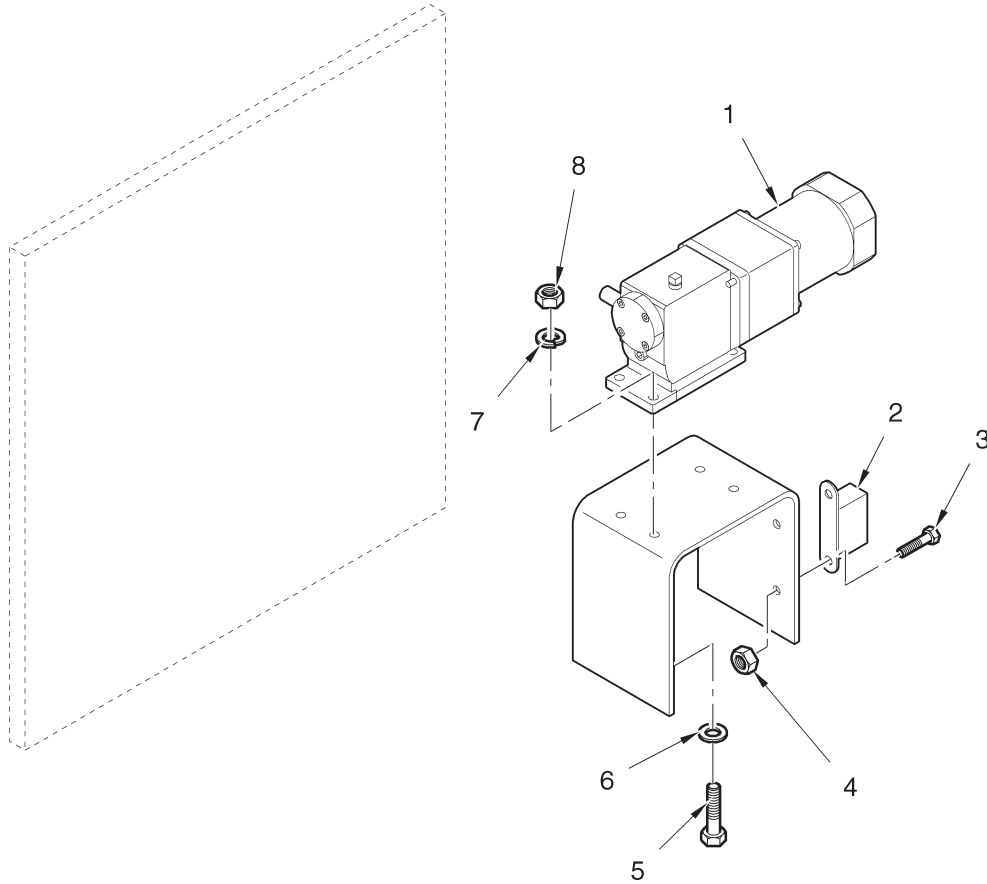


Figure 3-6. Drive Motor

ITEM NO.	PART NO.	DESCRIPTION	QTY. SCR-8	QTY. SCR-6
√ 1	14242	DRIVE MOTOR ASSY. (INCLUDES 56164)	1	1
√ 2	56164	CAPACITOR, DRIVE MOTOR-4MF	1	1
3	SC01-053	SCREW	2	2
4	NS02-007	NUT	2	2
5	SC01-185	SCREW	4	4
6	WA01-024	FLAT WASHER	4	4
7	LW01-010	LOCK WASHER	4	4
8	NS01-024	NUT	4	4
√ 9*	40642	DOOR MAGNET SENSOR	2	2
10*	NS02-009	NUT	4	4
11*	40501	DOOR SWITCH MAGNET (IN DOOR ASSY.)	5	5

√ recommended parts/* not shown

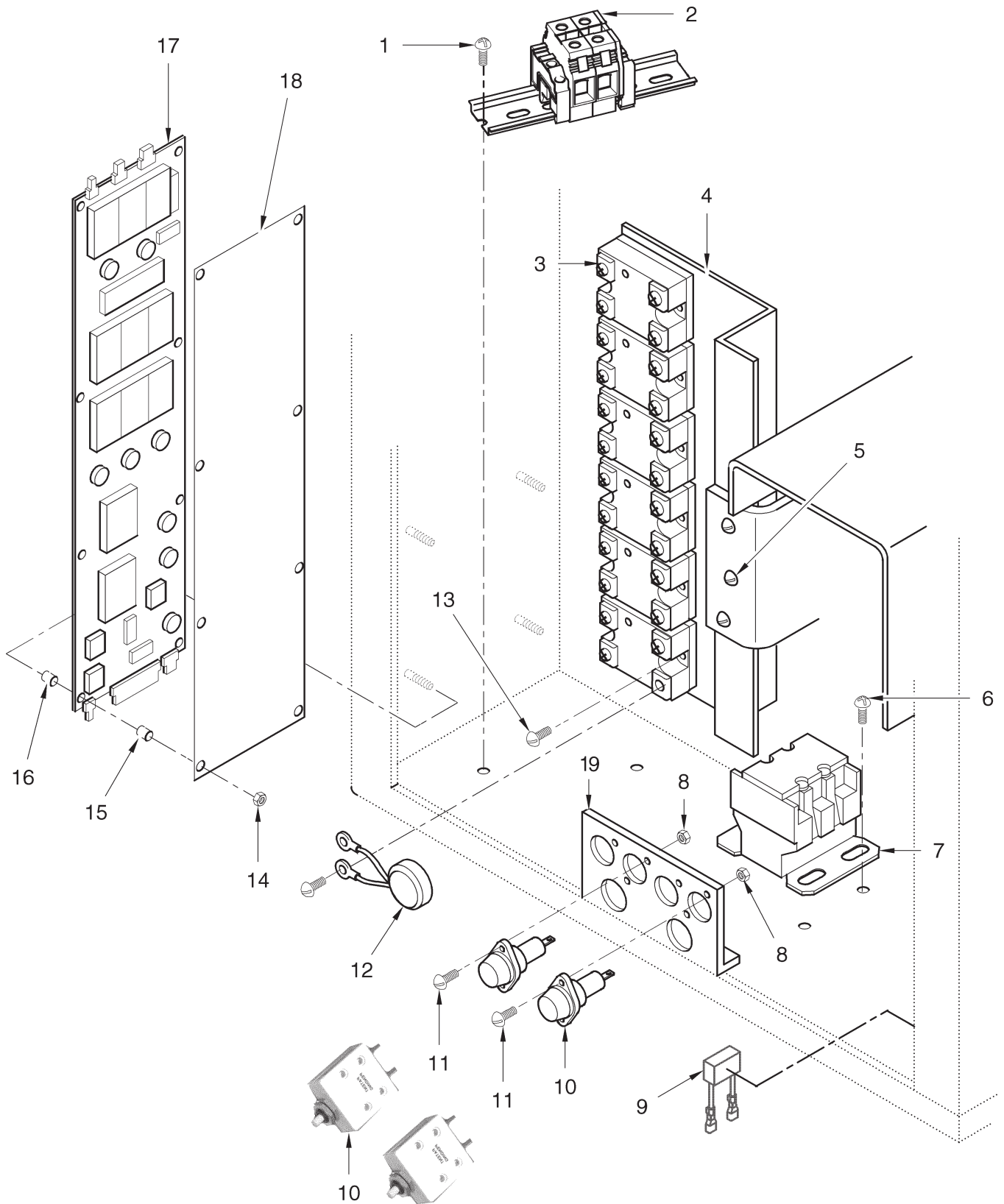


Figure 3-7. Electrical Components

FIGURE & ITEM NO.	PART NO.	DESCRIPTION	QTY. SCR-8	QTY. SCR-6
3-7		ELECTRICAL COMPONENTS		
1	SC04-017	SCREW	2	2
2	63727	TERMINAL BLOCK ASSY. - 1 PHASE	1	-
2	52994	TERMINAL BLOCK ASSY. - 3 PHASE	1	-
2*	52995	TERMINAL BLOCK - CE	1	1
√ 3	40645	S.S. RELAY	6	6
√ 3	52527	S.S. RELAY-40AMP (14.4KW UNITS)	1	-
4	49427	RELAY MOUNT EXTRUSION	1	1
5	SC03-008	SCREW	3	3
6	SC04-17	SCREW	3	3
√ 7	30324	CONTACTOR - 1 PHASE	1	1
√ 7	19405	CONTACTOR - 3 PHASE	1	1
8	NS02-005	NUT	4	4
√ 9	44428	ROTATION SWITCH MOV	2	2
√ 10	EF02-006	FUSE HOLDER-SN: CA0610018 & BELOW-SCR6 SN: CB0610032 & BELOW-SCR8	2	2
√ 10	EF02-125	BREAKER-PUSH BUTTON RESET SN: CA0610019 & ABOVE-SCR6 SN: CB0610033 & ABOVE-SCR8	2	2
√ 10	EF02-104	FUSE HOLDER - 20A-250V	2	2
11	SC01-113	SCREW	4	4
√ 12	51980	DRIVE MOTOR RELAY MOV	1	1
13	SC02-016	SCREW	10	10
14	NS02-005	NUT	8	8
15	ME50-013	SPACER	8	8
16	ME50-014	SPACER	8	8
√ 17	73618RB	CONTROL/DISPLAY BD. ASSY.-STD.	1	1
√ 17	73619RB	CONTROL/DISPLAY BD. ASSY.-300°F	1	1
		(For Michigan units w/o hoods)		
√ 17	73728RB	CONTROL BD. ASSY.-CAMPERO	1	1
√ 17	73731RB	CONTROL BD. ASSY.-250° F	1	1
18	49707	CONTROL COVER	1	1
19	24698	BRACKET - BREAKER	1	1
19	24699	BRACKET - FUSE - INT'L	1	1
√ 20*	EF02-007	FUSES - SN: CA0610018 & BELOW-SCR6 SN: CB0610032 & BELOW-SCR8	2	2
√ 20*	EF02-105	FUSE - 15A (INT'L)	2	2
√ 21*	51057	ASSY - EMC FILTER BOARD (CE)	1	1

√ recommended parts

*not shown

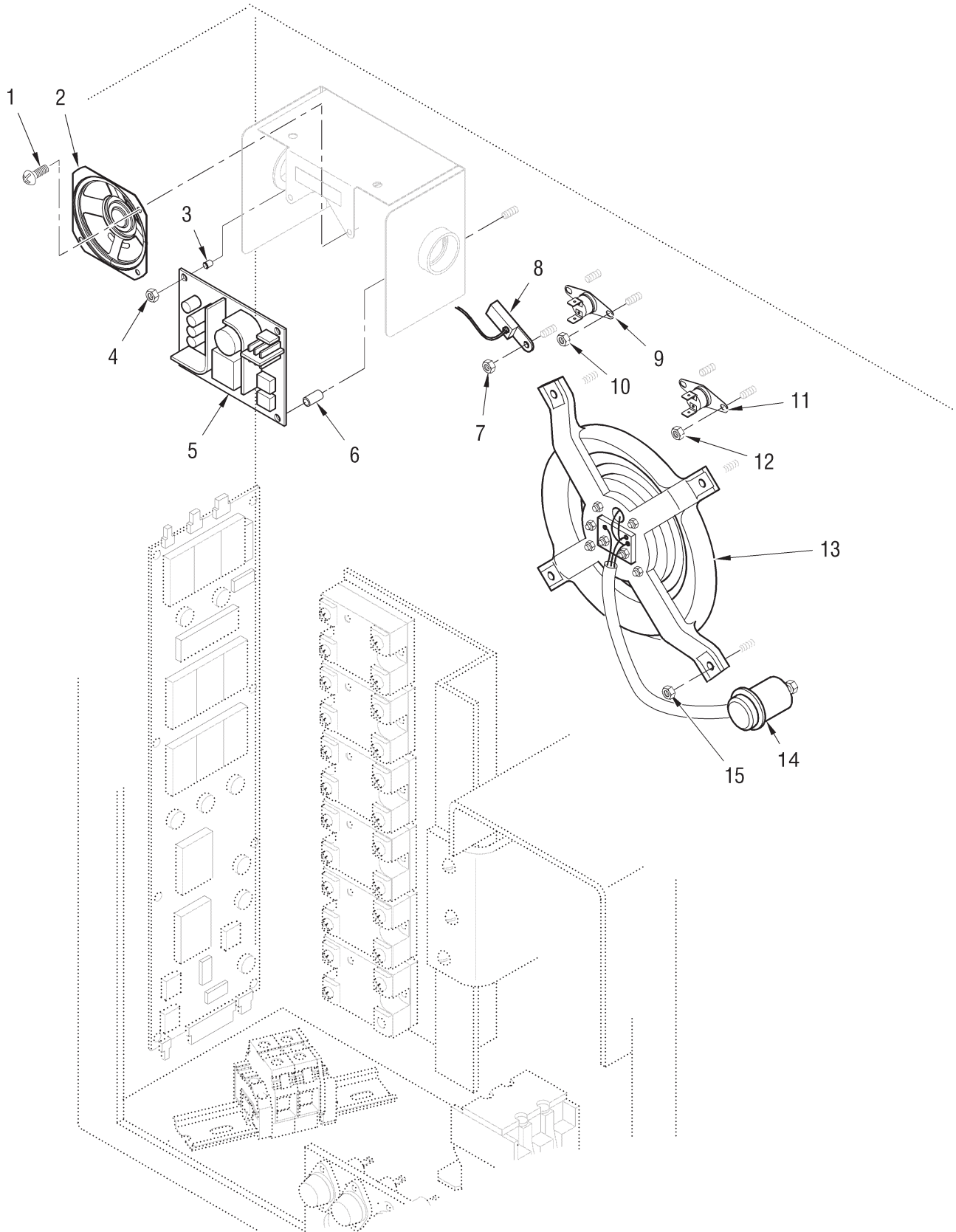


Figure 3-8. High Limit Switches and Blower

FIGURE & ITEM NO.	PART NO.	DESCRIPTION	QTY. SCR-8	QTY. SCR-6
3-8		HIGH LIMIT SWITCHES AND BLOWER		
1	SC02-016	SCREW	2	2
√ 2	51476	SPEAKER ASSY.	1	1
3	ME50-033	SPACER	3	3
4	NS02-009	NUT	3	3
√ 5	TS13-001	40 WATT SWITCHING PWR. SUPPLY	1	1
6	ME50-041	STANDOFF	1	1
7	NS02-006	NUT	1	1
√ 8	29523	PROBE ASSY.	1	1
√ 9	37397	HIGH LIMIT-500 DEG.	1	1
10	NS02-005	NUT	2	2
√ 11	49938	HIGH LIMIT - 450 DEG.	1	1
√ 11	49939	HIGH LIMIT - 450 DEG. C.E.	1	1
12	NS02-005	NUT	2	2
13	140323	KIT-SCR6/8 BLOWER MOTOR	1	1
√ 14	40639	CAPACITOR- BLOWER MOTOR	1	1
15	NS02-006	NUT	4	4
17*	40842	SEAL- DRIVE MOTOR	1	1
18*	44587	SEAL- BLOWER MOTOR	1	1
√ 19*	FA51-315	3.15 AMP FUSE (POWER SUPPLY)	1	1

√ recommended parts

* not shown

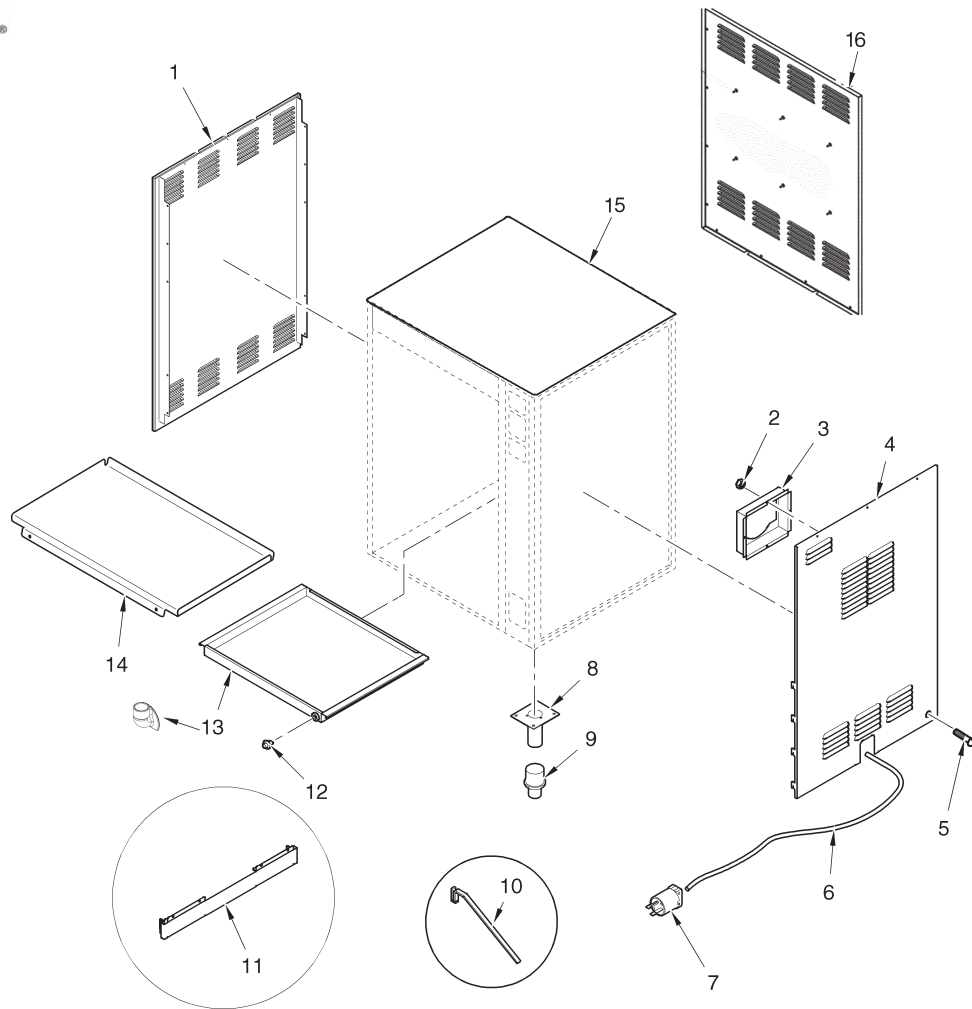


Figure 3-9. Trays, Pans, and Power Cords

FIGURE & ITEM NO.	PART NO.	DESCRIPTION	QTY. SCR-8	QTY. SCR-6
1	59778	LH BOTTOM ACCESS COVER - SCR-16-SHORT	1	-
1	59769	LH ACCESS COVER - SCR-8	1	-
1	48563	LH ACCESS COVER - SCR-6	-	1
2	NS02-006	NUT #10-24 HEX KEPS C	AR	AR
3	40145	BLOWER BOX	1	1
4	51270	RH SIDE PANEL-TALL-SN: JE048JJ & BELOW	1	-
4	59771	RH SIDE PANEL-SHORT-SN: JE049JJ & ABOVE	1	-
4	59768	RH UPPER SIDE PANEL-SCR-16-SHORT SN: JE049JJ & ABOVE - BOTTOM UNIT	1	-
4	49255	RH SIDE PANEL WELDMENT - SCR-6	-	1
5	SC04-003	SCREW - #8-32 X 3/8 PH PHDS.	AR	AR
6	63714-01	POWER CORD ASSY.-GM-INBOARD CASTERS	1	-
6	63714-02	POWER CORD ASSY.-GM-OUTBOARD - TOP	1	-
6	63714-03	POWER CORD ASSY.-GM-OUTBOARD - BOT	1	-
6	40998	POWER CORD ASSY. - 30 AMP - SCR-6 (3 PH)	-	1
6	88843	ASSY-POWER CORD 30 AMP 90° PLUG	-	1
6	41659	POWER CORD ASSY. - 50 AMP - SCR-6 (1 PH)	-	1
6	63714-04	PWR CORD ASSY-90° PLUG (ALBERTSON)-TOP	1	-
6	63714-05	PWR. CORD ASSY-90° PLUG-BOTTOM (10 FOOT)	1	-
6	63714-10	ASSY-PWR CORD GM 50A 90° PLUG	1	-
6	63714-11	ASSY-PWR CORD GM TOP OUTBD 50A 90° PLUG	1	-
6	63714-12	ASSY-PWR CORD WALMART 50A 90° PLUG	1	-

FIGURE & ITEM NO.	PART NO.	DESCRIPTION	QTY. SCR-8	QTY. SCR-6
3-9		TRAYS, PANS, AND POWER CORDS (CONTD.)		
6	54671	POWER CORD ASSY- 90° PLUG (ALBRYSN)	-	1
7	16242	PLUG MO-500 NEMA 15-50P - SCR-8	1	-
7	40884	PLUG 30A - 250V - NEMA 15-30P - SCR-6	-	1
7	88809	PLUG-250V/NEMA 15-30P 90°	-	1
7	58146	PLUG 60A- 3PH 250V-NEMA15-60P 90°(ALBERTSON)	1	-
7	21335	PLUG 50A- 3PH 250V 90°(ALBERTSONS)	-	1
7	37514	PLUG 60A- 3PH 250V	1	-
8	41355	MOUNTING PLATE & LEG WELDMENT	4	4
9	26120	FEET	4	4
10	03195	SPIT REMOVAL TOOL (OPTIONAL)	1	1
11	63251	RH LOWER SIDE PANEL-SCR-16-SHORT SN: JE049JJ & ABOVE - BOTTOM UNIT	1	-
12	49256	DRAIN PLUG ASSEMBLY-BELOW SN: CA0406003	1	1
13	67866	DRAIN PAN ASSY-SCR8 - SN: JE049JJ & ABOVE	1	-
√	140069	KIT - ELBOW - DRAIN W/O-RINGS	1	-
√	OR01-009*	O-RINGS SILICONE #2-119	2	-
13	67865	DRAIN PAN ASSY-SCR6	-	1
√	140069	KIT - ELBOW - DRAIN W/O-RINGS	-	1
√	OR01-009*	O-RING SILICONE #2-119	-	2
14	48769	DRIP TRAY	2	-
14	49763	DRIP TRAY- COATED	2	-
14	48755	DRIP TRAY	-	2
14	49762	DRIP TRAY- COATED	-	2
15	49361	CAP - TOP - SCR-8	1	-
15	49360	CAP - TOP - SCR-6	-	1
16	72133	STUD ASSY. - SOLID BACK PANEL (OPTIONAL)	-	1
17	63263*	EXT. BACK PANEL STUD ASSY. - SOLID BACK	1	-
18	86832*	PACK-4 IN CASTER SERVICE	1	1
	40948*	CASTER 4" RIGID	2	2
	40947*	CASTER 4" SWIVEL W/ BRAKE	2	2
	LW01-002*	LOCKWASHER SPLIT RING 1/4 S	16	16
	SC01-193*	SCREW 1/4-20 X 3/4 HEX GRD 8	16	16
	WA01-013*	WASHER 1/4 FLAT S	16	16
20	49270*	DECAL- NON ROTATION CUST. SIDE	1	1
21	48787*	DECAL- ROTATION CUST. SIDE	1	1
22	PL01-001*	PLUG BUTTON-1/2"	4	4
23	86833*	PACK-3 IN CASTER SERVICE	1	1
	58138*	CASTER 3" DIA 4" HT SWVL W/BRK	2	2
	58139*	CASTER-3" DIA 4" HT RIGID	2	2
	LW01-002*	LOCKWASHER SPLIT RING 1/4 S	16	16
	SC01-193*	SCREW 1/4-20 X 3/4 HEX GRD 8	16	16
	WA01-013*	WASHER 1/4 FLAT S	16	16
23	58139*	CASTER 3" DIA-4" HT - RIGID (OUTBOARD)	2	-
24	58138*	CASTER 3" DIA-4" HT - SWVL-W/BRAKE (OUTBD)	2	-
25	14640*	OUTBOARD CASTER KIT (AFTER MAY 1, 2000)	1	-

* Not Shown

