



Commercial Service Parts

CHEESEMELTER - PT. 2

APPLICABLE MODELS:

-HCM_48

-HCM_54

-HCM_60

-HCM_72

_ = (C,R,W)

Hestan Commercial Corporation

3375 E. La Palma Ave.

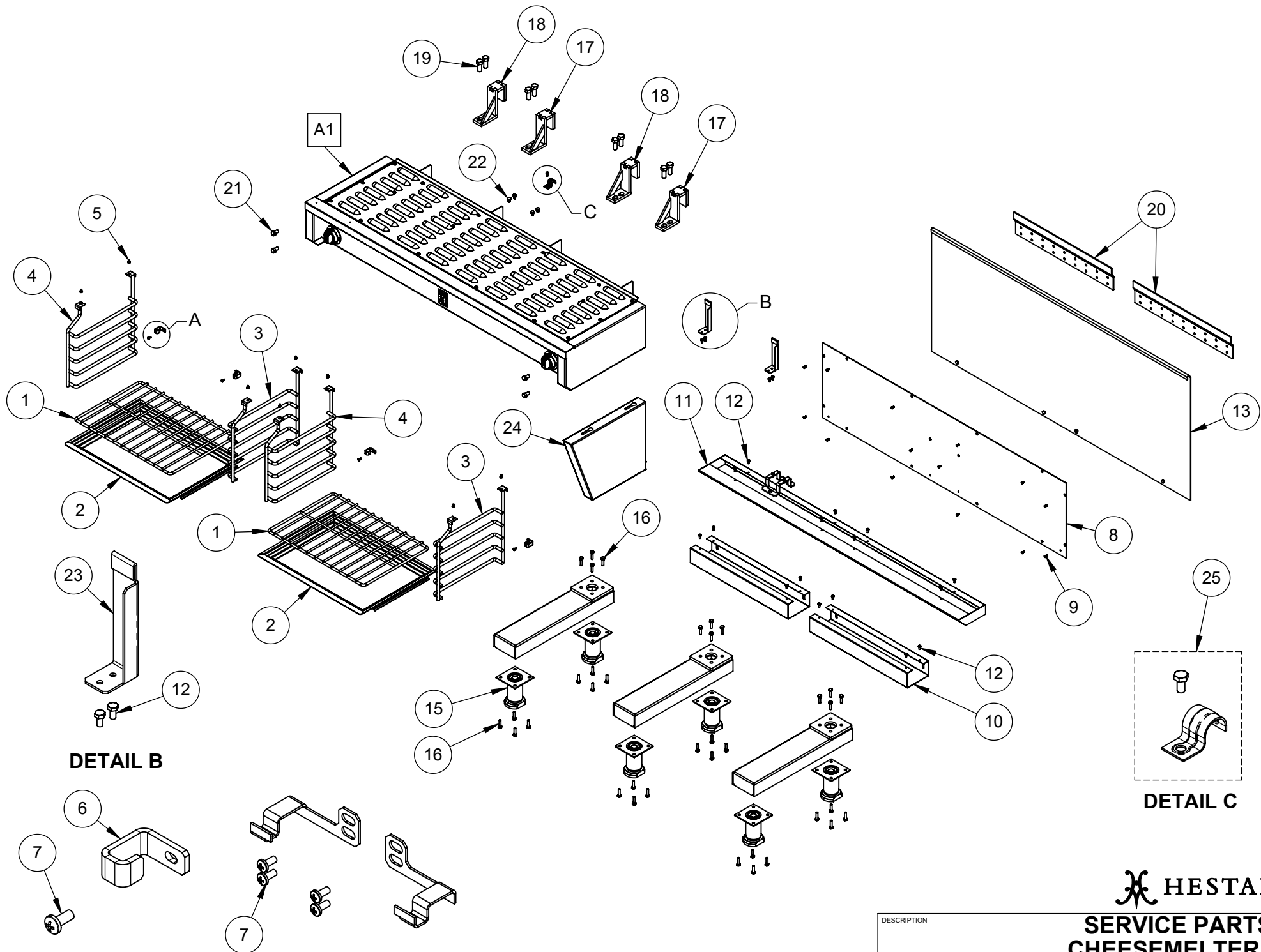
Anaheim, CA 92806

(888) 905-7463

RETAIN THIS FOR FUTURE REFERENCE

Revised: June 15, 2023

Rev. D



DETAIL B

DETAIL A

DETAIL A
****PRE 10/16****

DETAIL C



**SERVICE PARTS,
 CHEESEMELTER 2**

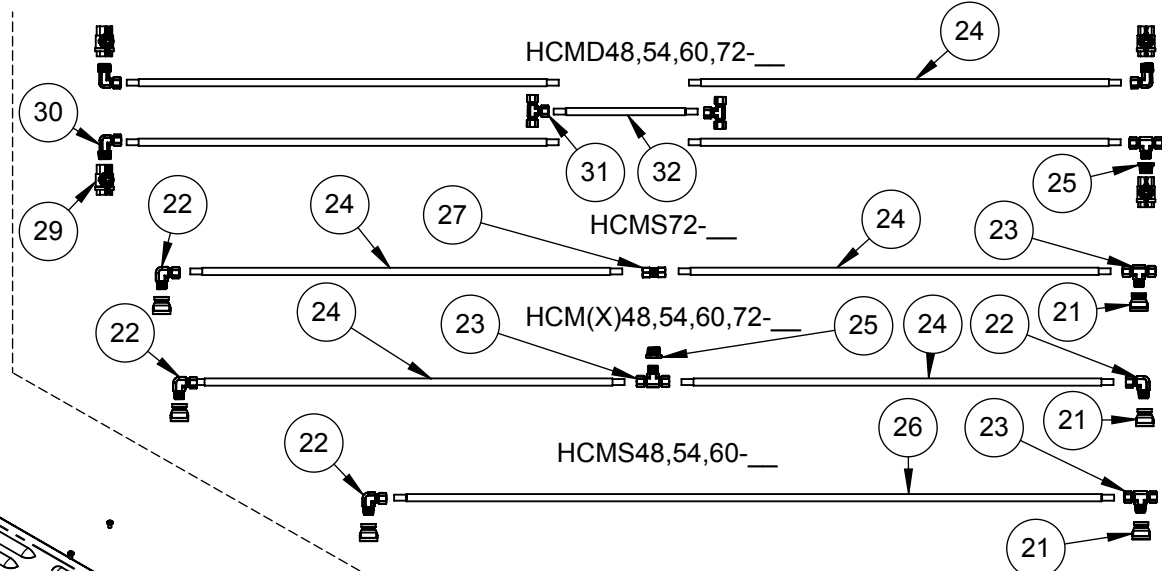
DESCRIPTION	
DRAWING NO	HCMXXX-SERVICE2

Item No.	Part No.	DESCRIPTION	HCMC48	HCMR48	HCMW48	HCMC54	HCMR54	HCMW54	HCMC60	HCMR60	HCMW60	HCMC72	HCMR72	HCMW72
			QTY	QTY	QTY	QTY	QTY	QTY	QTY	QTY	QTY	QTY	QTY	QTY
13	005966	PANEL, BACK, CM, 48" **PRE 1016**	1	-	-	-	-	-	-	-	-	-	-	-
	012931	WELDMENT, PANEL, BACK, CM, VER. 2, 48"	1	-	-	-	-	-	-	-	-	-	-	-
	009811	PANEL, BACK, CM, 54" **PRE 1016**	-	-	-	1	-	-	-	-	-	-	-	-
	012987	WELDMENT, PANEL, BACK, CM, 54"	-	-	-	1	-	-	-	-	-	-	-	-
	009117	PANEL, BACK, CM, 60" **PRE 1016**	-	-	-	-	-	-	1	-	-	-	-	-
	012962	WELDMENT, PANEL, BACK, CM, 60"	-	-	-	-	-	-	1	-	-	-	-	-
	006918	PANEL, BACK, CM, 72" **PRE 1016**	-	-	-	-	-	-	-	-	-	1	-	-
	012943	WELDMENT, PANEL, BACK, CM, VER. 2, 72"	-	-	-	-	-	-	-	-	-	1	-	-
14	004273	WELDMENT, LEG, HORZ, SM/CM **PRE 1016**	3	-	-	3	-	-	3	-	-	3	-	-
	011907	WELDMENT, LEG, HORZ, SM/CM, VER. 2	3	-	-	3	-	-	3	-	-	3	-	-
15	000470	ADJUSTABLE LEG ASSEMBLY, 4"	6	-	-	6	-	-	6	-	-	6	-	-
16	013958	SERVICE, HB, 1/4-20 X 1.0, SS, PKG 8	5	-	-	5	-	-	5	-	-	5	-	-
17	003221	HANGER ASSY, LH, SM/CM	-	2	-	-	2	-	-	2	-	-	2	-
18	003220	HANGER ASSY, RH, SM/CM	-	2	-	-	2	-	-	2	-	-	2	-
19	014181	SERVICE, HB, 1/2-13 X 1.25, ZN, PKG 4	-	2	-	-	2	-	-	2	-	-	2	-
20	009291	BRACKET, WALL, "Z", SM/CM, FOR 24"	-	-	2	-	-	-	-	-	-	-	-	-
	008706	BRACKET, WALL, "Z", CM, FOR 54"	-	-	-	-	-	2	-	-	-	-	-	-
	008123	BRACKET, WALL, "Z", CM, 26"	-	-	-	-	-	-	-	-	2	-	-	-
	012006	BRACKET, WALL, "Z", SM/CM, VER. 2, FOR 36"	-	-	-	-	-	-	-	-	-	-	-	2
21	013960	SERVICE, HB, 3/8-16 X .625, ZN, PKG 4	1	1	1	1	1	1	1	1	1	1	1	1
22	010239	SERVICE, HB, 1/4-20 X .375, ZN, PKG 2	2	2	2	2	2	2	2	2	2	2	2	2
23	007449	BRACKET, COVER, REAR, CM, SEE-THRU	2	-	-	2	-	-	2	-	-	4	-	-
24	014323	SERVICE, SIDE, REMOVABLE, SM/CM	X	X	X	X	X	X	X	X	X	X	X	X
25	014974	SERVICE, CLAMP, HOSE, .FOR .5" DIAM., KIT	3	3	3	3	3	3	3	3	3	3	3	3

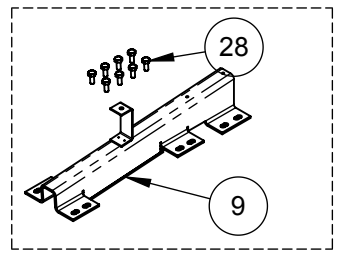
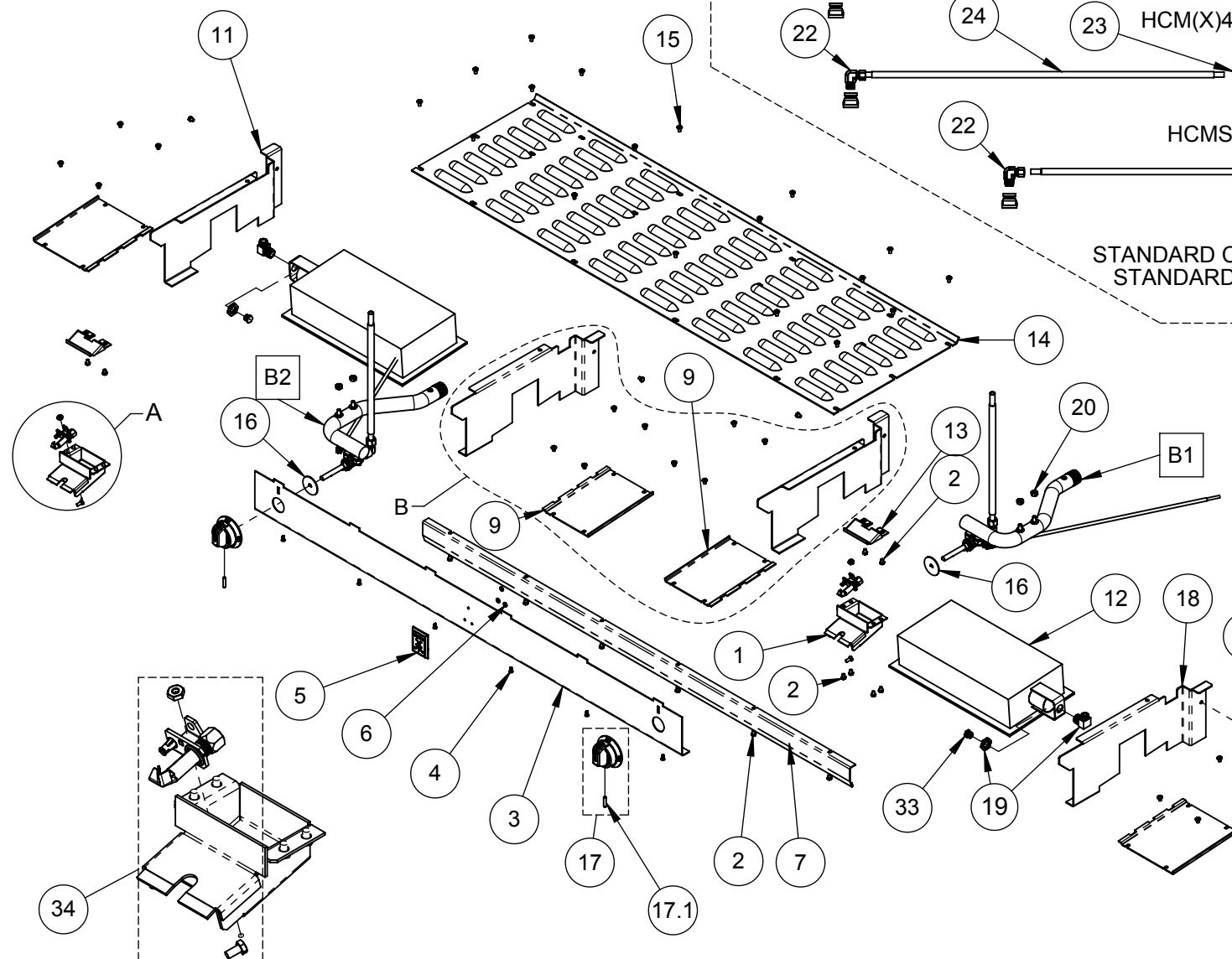
* QTY REQUIRED 4 PRE 1016

** QTY REQUIRED 5 PRE 1016

*** QTY REQUIRED 2 PRE 1016



STANDARD CONFIGURATIONS DEPICTED. FOR NON-STANDARD CONFIGURATIONS PLEASE CONTACT HESTAN FOR DETAILS.



DETAIL B
ITEMS SHOWN BELOW USED FOR HCM(X)60, HCMS60 & HCMD 60 IN PLACE OF THOSE DEPICTED IN EXPLODED VIEW.

DETAIL A
SERVICE KIT DETAIL
MOUNTING BRACKET SHOWN FOR CLARITY



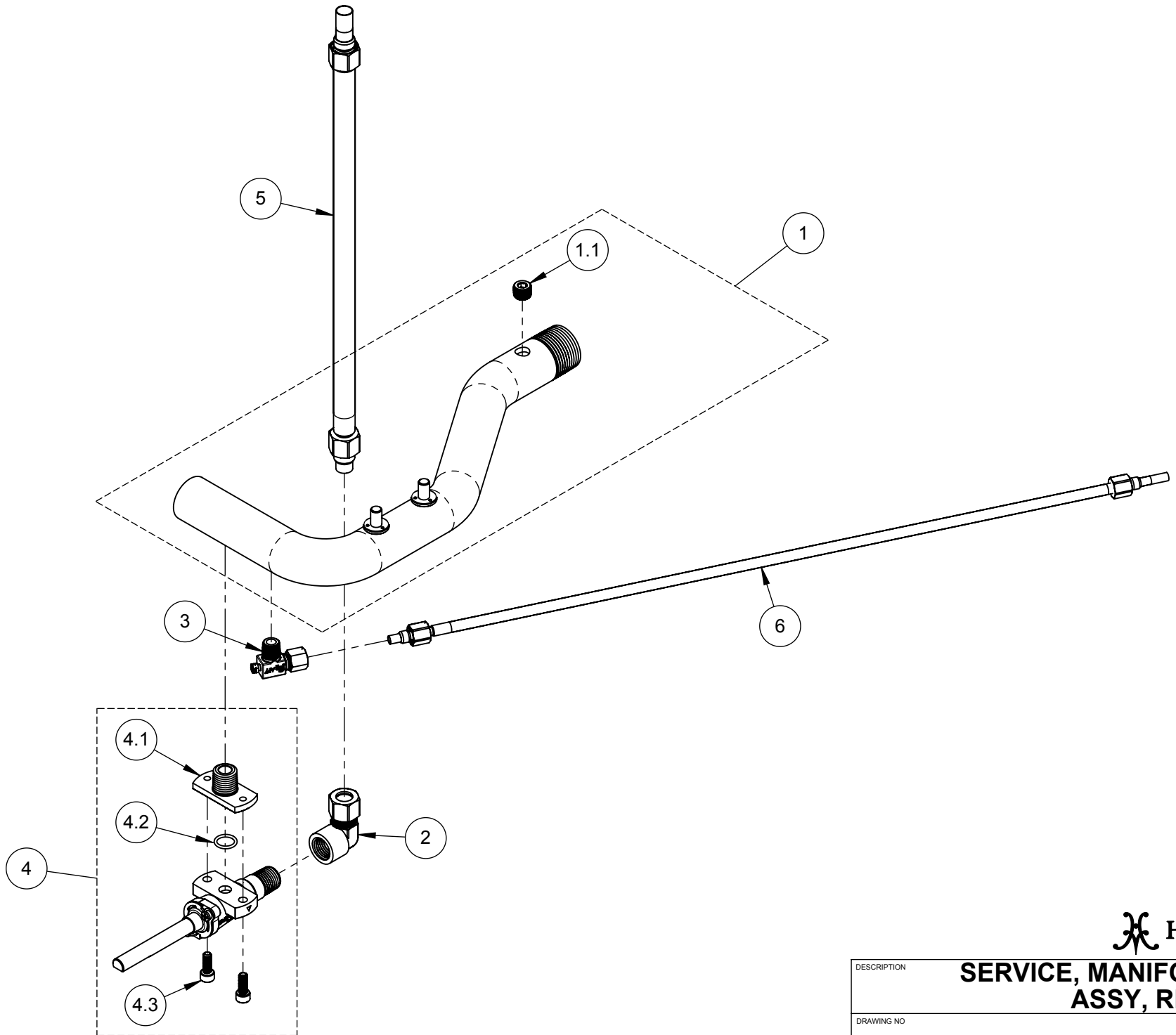
**SERVICE, ASSY, TOP, CM,
DUAL BURNER**

DESCRIPTION
DRAWING NO

A1

A1 - TOP, DUAL BURNER - CHEESEMELTER

Item No.	Part No.	DESCRIPTION	HCMC48	HCMR48	HCMW48	HCMC54	HCMR54	HCMW54	HCMC60	HCMR60	HCMW60	HCMC72	HCMR72	HCMW72
			QTY	QTY	QTY	QTY	QTY	QTY	QTY	QTY	QTY	QTY	QTY	QTY
1	013132	SHIELD, PILOT, SM/CM	2	2	2	2	2	2	2	2	2	2	2	2
2	010237	SERVICE, MS, 10-24 X 1/4, HEXHD, SS, PKG 6	4	4	4	4	4	4	4	4	4	4	4	4
3	007785	PANEL W/INDICATOR, CONTROL, CM, 48"	1	1	1	-	-	-	-	-	-	-	-	-
	008687	PANEL W/INDICATOR, CONTROL, CM, 54"	-	-	-	1	1	1	-	-	-	-	-	-
	007959	PANEL W/INDICATOR, CONTROL, CM, 60"	-	-	-	-	-	-	1	1	1	-	-	-
	004247	PANEL W/INDICATOR, CONTROL, CM, 72"	-	-	-	-	-	-	-	-	-	1	1	1
4	013953	SERVICE, MS, 8-32 X .375, PH, FLT, UC, SS, PKG 12	1	1	1	1	1	1	1	1	1	1	1	1
5	001842	LOGO, HESTAN, 2.125 x 1.56	1	1	1	1	1	1	1	1	1	1	1	1
6	014439	SERVICE, RETAINING RING, EXTERNAL, .125" DIAMETER SHAFT, PKG 4	1	1	1	1	1	1	1	1	1	1	1	1
7	003942	DEFLECTOR, HEAT, CM, 48"	1	1	1	-	-	-	-	-	-	-	-	-
	008685	DEFLECTOR, HEAT, CM, 54"	-	-	-	1	1	1	-	-	-	-	-	-
	008435	DEFLECTOR, HEAT, CM, 60"	-	-	-	-	-	-	1	1	1	-	-	-
	002412	DEFLECTOR, HEAT, CM, 72"	-	-	-	-	-	-	-	-	-	1	1	1
8	003915	PANEL, UNDER, SIDE, SM/CM, 24"	2	2	2	-	-	-	-	-	-	-	-	-
	008710	PANEL, UNDER, SIDE, CM, 54"	-	-	-	2	2	2	-	-	-	-	-	-
	008437	PANEL, UNDER, SIDE, CM, 30"	-	-	-	-	-	-	2	2	2	-	-	-
	001579	PANEL, UNDER, SIDE, SM/CM	-	-	-	-	-	-	-	-	-	2	2	2
9	003916	PANEL, UNDER, CENTER, CM, 48"	2	2	2	-	-	-	-	-	-	-	-	-
	008711	PANEL, UNDER, CENTER, CM, 54"	-	-	-	2	2	2	-	-	-	-	-	-
	008439	WELMT, SUPPORT, STRUCTURAL, MID-SPAN, CM, 60"	-	-	-	-	-	-	1	1	1	-	-	-
	002485	PANEL, UNDER, CENTER, CM, 72"	-	-	-	-	-	-	-	-	-	2	2	2
10	013962	SERVICE, MS, 10-24 X .25, PH, PAN, ZN, PKG 8	2	2	2	2	2	2	1	1	1	2	2	2
11	008621	ASSY, BAFFLE, LH, TOP, SM/CM, 24"	2	2	2	2	2	2	-	-	-	-	-	-
	008495	WELDMENT, BAFFLE, LH, TOP, CM, 30"	-	-	-	-	-	-	1	1	1	-	-	-
	008546	ASSY, BAFFLE, LH, TOP, SM/CM	-	-	-	-	-	-	-	-	-	2	2	2
12	002185	BURNER, INFRARED, INCONEL, B15	2	2	2	2	2	2	-	-	-	-	-	-
	000677	BURNER, INFRARED, INCONEL, B30	-	-	-	-	-	-	2	2	2	2	2	2
13	006822	WELDMENT, COVER, PILOT, SM/CM	2	2	2	2	2	2	2	2	2	2	2	2
14	002213	PANEL, TOP, CM, 48"	1	1	1	-	-	-	-	-	-	-	-	-
	008694	PANEL, TOP, CM, 54"	-	-	-	1	1	1	-	-	-	-	-	-
	008058	PANEL, TOP, CM, 60"	-	-	-	-	-	-	1	1	1	-	-	-
	002635	PANEL, TOP, CM, 72"	-	-	-	-	-	-	-	-	-	1	1	1
15	013961	SERVICE, MS, 10-24 X .313, PH, PAN, SS, PKG 15	2	2	2	2	2	2	2	2	2	2	2	2
16	014154	SERVICE, SHIELD, SWITCH/MODULE, PKG 2	2	2	2	2	2	2	2	2	2	2	2	2
17	000150	KNOB ASSY., ON-OFF, 85%	2	2	2	2	2	2	2	2	2	2	2	2
17.1	014300	SERVICE, SETSCREW, #10-24 X .875, CUP PT., SS, PKG 6	1	1	1	1	1	1	1	1	1	1	1	1
18	008620	ASSY, BAFFLE, RH, TOP, SM/CM, 24"	2	2	2	2	2	2	-	-	-	-	-	-
	008494	WELDMENT, BAFFLE, RH, TOP, CM, 30"	-	-	-	-	-	-	1	1	1	-	-	-
	008544	ASSY, BAFFLE, RH, TOP, SM/CM	-	-	-	-	-	-	-	-	-	2	2	2
19	014179	SERVICE, ELBOW W/PNL NUT, ORIFICE, IR BURNER, KIT	2	2	2	2	2	2	2	2	2	2	2	2
20	014155	SERVICE, NUT, 1/4-20, ZN, PKG 4	1	1	1	1	1	1	1	1	1	1	1	1
21	006511	BELL, REDUCER, 3/4 X 1/2 NPT	2	2	2	2	2	2	2	2	2	2	2	2
22	009445	ELBOW, 90° ADAPTER, 1/2 NPTM TO 1/2 CC	2	1	1	2	1	1	2	1	1	2	1	1
23	009444	TEE, 1/2 CC X 1/2 NPTM	1	1	1	1	1	1	1	1	1	1	1	1
24	005915	HOSE, FLEX, 1/2" OD, 36"	2	-	-	2	-	-	2	-	-	-	-	-
	006073	HOSE, FLEX, 1/2" OD, 48"	1	-	-	-	-	-	-	-	-	2	2	2
25	006644	BUSHING, HEX REDUCING, 3/4 NPTM X 1/2 NPTF	1	-	-	1	-	-	1	-	-	1	1	1




HESTAN

**SERVICE, MANIFOLD, GAS
 ASSY, RH, SM/CM**

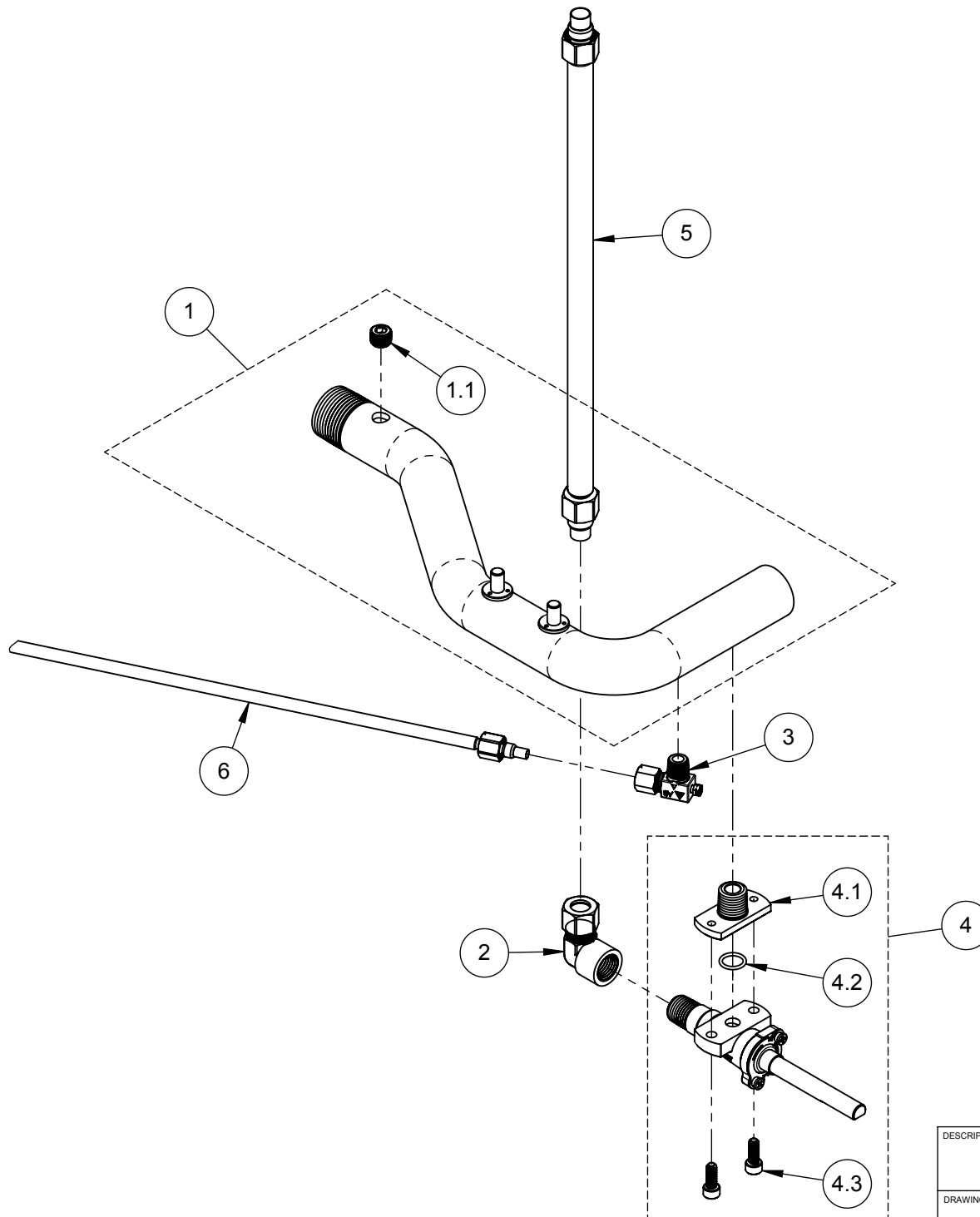
DESCRIPTION

DRAWING NO

B1

B1 - GAS MANIFOLD ASSEMBLY, RIGHT - CHEESEMELTER

			HCM__
Item No.	Part No.	DESCRIPTION	QTY
1	004122	ASSY, MANIFOLD, RH, SM/CM	1
1.1	000360	PLUG, HEX SOCKET, 1/8" NPT	1
2	002321	ELBOW, ADAPTER, 1/4 NPT FEMALE X 3/8 CC	1
3	000113	VALVE, PILOT, 1/8NPT x 3/16 COMP., ELBOW	1
4	015662	KIT, VALVE, ON-OFF, FLANGE-MOUNT, A23-F	1
4.1	004643	FLANGED NIPPLE, 1/4"NPT	1
4.2	014103	SERVICE, O-RING, FLANGED NIPPLE, PKG 6	1
4.3	012750	SERVICE, SHCS, #10-24 X .500, SS, PKG 6	1
5	005682	HOSE, FLEX, 3/8 OD, 12", F-F, NUT/FERRULE	1
6	005688	HOSE, FLEX, 3/16 OD, 18", F-F, NUT/FERRULE	1




HESTAN

**SERVICE, MANIFOLD, GAS
 ASSY, LH, CM**

DESCRIPTION

DRAWING NO

B2

B2 - GAS MANIFOLD ASSEMBLY, LEFT - CHEESEMELTER

			HCM__
Item No.	Part No.	DESCRIPTION	QTY
1	004123	ASSY, MANIFOLD, LH, CM	1
1.1	000360	PLUG, HEX SOCKET, 1/8" NPT	1
2	002321	ELBOW, ADAPTER, 1/4 NPT FEMALE X 3/8 CC	1
3	000113	VALVE, PILOT, 1/8NPT x 3/16 COMP., ELBOW	1
4	015662	KIT, VALVE, ON-OFF, FLANGE-MOUNT, A23-F	1
4.1	004643	FLANGED NIPPLE, 1/4"NPT	1
4.2	014103	SERVICE, O-RING, FLANGED NIPPLE, PKG 6	1
4.3	012750	SERVICE, SHCS, #10-24 X .500, SS, PKG 6	1
5	005682	HOSE, FLEX, 3/8 OD, 12", F-F, NUT/FERRULE	1
6	005688	HOSE, FLEX, 3/16 OD, 18", F-F, NUT/FERRULE	1

B2 - GAS MANIFOLD ASSEMBLY, LEFT - CHEESEMELTER

			HCM__
Item No.	Part No.	DESCRIPTION	QTY
1	004123	ASSY, MANIFOLD, LH, CM	1
1.1	000360	PLUG, HEX SOCKET, 1/8" NPT	1
2	002321	ELBOW, ADAPTER, 1/4 NPT FEMALE X 3/8 CC	1
3	000113	VALVE, PILOT, 1/8NPT x 3/16 COMP., ELBOW	1
4	015662	KIT, VALVE, ON-OFF, FLANGE-MOUNT, A23-F	1
4.1	004643	FLANGED NIPPLE, 1/4"NPT	1
4.2	014103	SERVICE, O-RING, FLANGED NIPPLE, PKG 6	1
4.3	012750	SERVICE, SHCS, #10-24 X .500, SS, PKG 6	1
5	005682	HOSE, FLEX, 3/8 OD, 12", F-F, NUT/FERRULE	1
6	005688	HOSE, FLEX, 3/16 OD, 18", F-F, NUT/FERRULE	1