



Commercial Service Parts

CHEESEMELTER - PT. 1

APPLICABLE MODELS:

-HCM_24

-HCM_30

-HCM_36

_ = (C,R,W)

Hestan Commercial Corporation

3375 E. La Palma Ave.

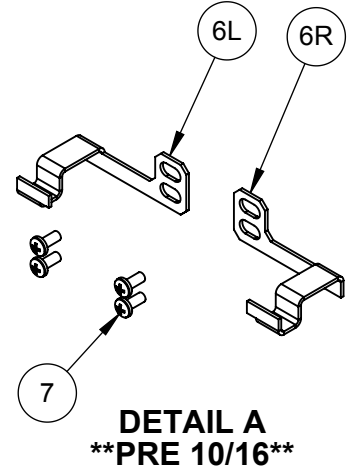
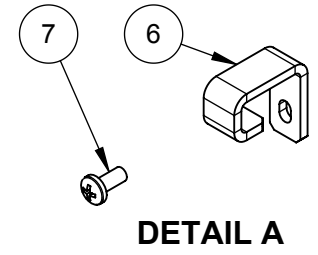
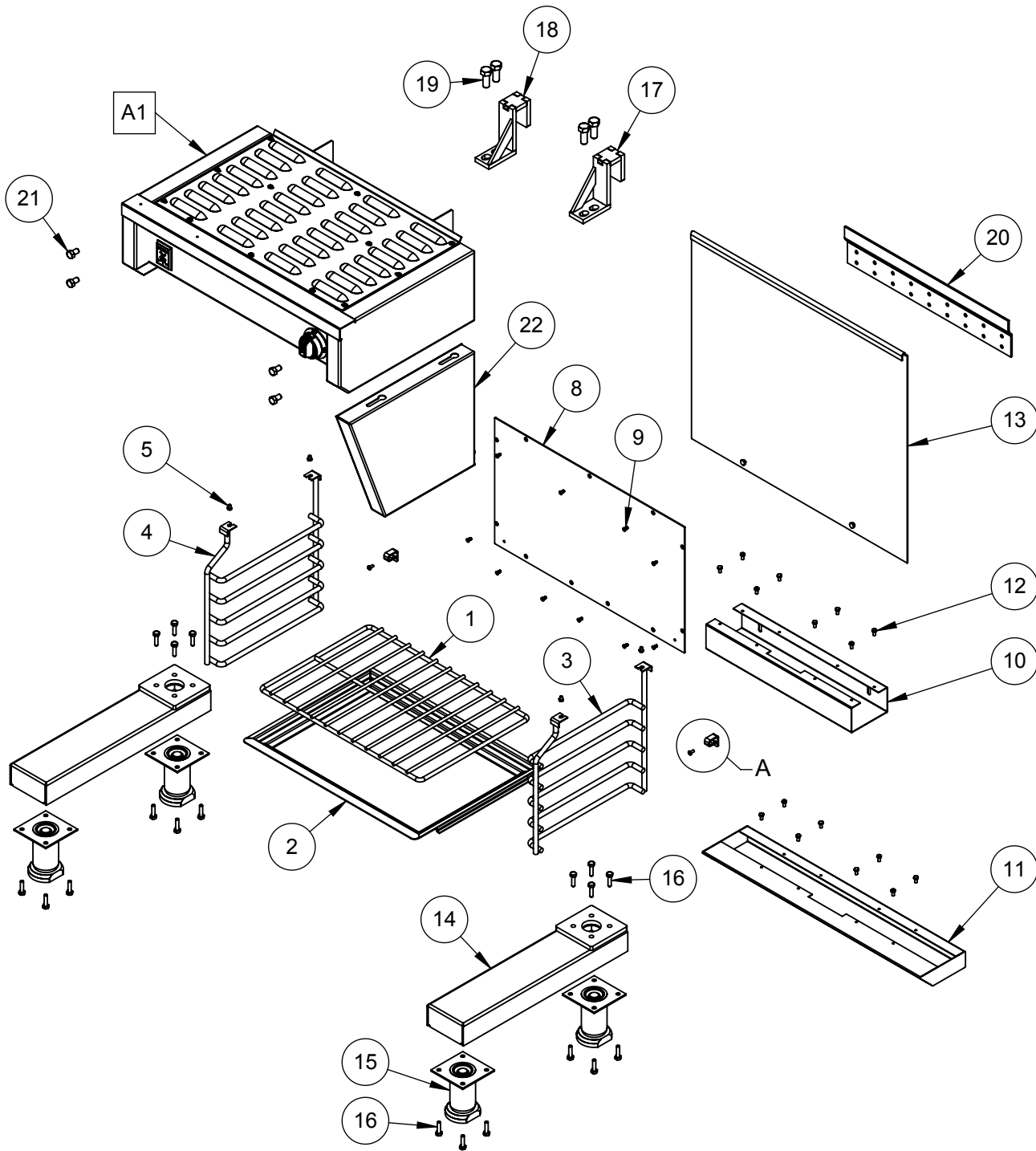
Anaheim, CA 92806

(888) 905-7463

RETAIN THIS FOR FUTURE REFERENCE

Revised: Dec. 15, 2020

Rev. C



HESTAN

**SERVICE PARTS,
 CHEESEMELTER**

DESCRIPTION
 DRAWING NO **HCMXXX-SERVICE**

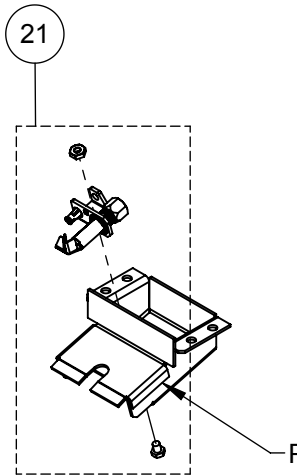
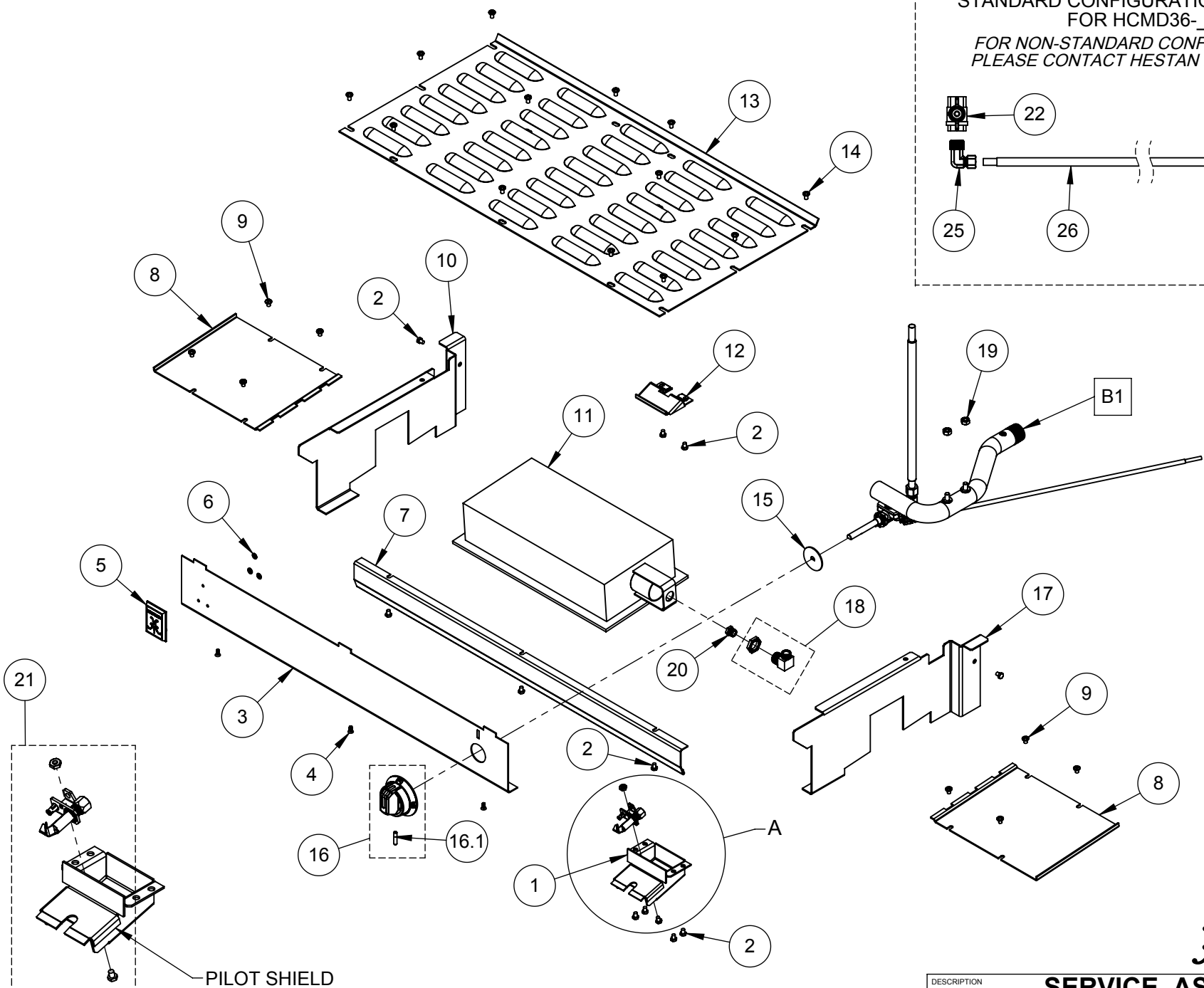
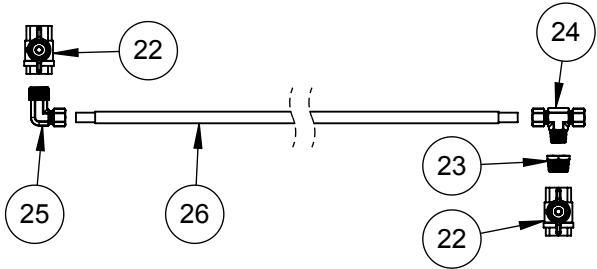
CHEESEMELTER (SINGLE BURNER) - SERVICE PARTS LIST

| Item No. | Part No. | DESCRIPTION | HCMC24 | HCMR24 | HCMW24 | HCMC30 | HCMR30 | HCMW30 | HCMC36 | HCMR36 | HCMW36 |
|----------|----------|---|--------|--------|--------|--------|--------|--------|--------|--------|--------|
| | | | QTY | QTY | QTY | QTY | QTY | QTY | QTY | QTY | QTY |
| 1 | 002620 | RACK, CM, 24" | 1 | 1 | 1 | - | - | - | - | - | - |
| | 008116 | RACK, CM, 30" | - | - | - | 1 | 1 | 1 | - | - | - |
| | 000656 | RACK, CM, 36" | - | - | - | - | - | - | 1 | 1 | 1 |
| 2 | 002619 | TRAY, DRIP, CM, 24" | 1 | 1 | 1 | - | - | - | - | - | - |
| | 008117 | TRAY, DRIP, CM, 30" | - | - | - | 1 | 1 | 1 | - | - | - |
| | 001473 | TRAY, DRIP, CM, 36" | - | - | - | - | - | - | 1 | 1 | 1 |
| 3 | 004253 | RACK, LADDER, RH, CHEESEMELTER | 1 | 1 | 1 | 1 | 1 | 1 | 1 | 1 | 1 |
| 4 | 004312 | RACK, LADDER, LH, CHEESEMELTER | 1 | 1 | 1 | 1 | 1 | 1 | 1 | 1 | 1 |
| 5 | 010237 | SERVICE, MS, 10-24 X 1/4, HEXHD, SS, PKG 6 | 1 | 1 | 1 | 1 | 1 | 1 | 1 | 1 | 1 |
| 6R | 004317 | BCKT, RACK, LADDER, RH, CM **PRE 1016** | 1 | 1 | 1 | 1 | 1 | 1 | 1 | 1 | 1 |
| 6L | 004813 | BCKT, RACK, LADDER, LH, CM **PRE 1016** | 1 | 1 | 1 | 1 | 1 | 1 | 1 | 1 | 1 |
| 6 | 012608 | BCKT, RACK, LADDER, CM | 2 | 2 | 2 | 2 | 2 | 2 | 2 | 2 | 2 |
| 7 | 011857 | SERVICE, MS, 8-32 X .375, PH, PAN, SS, PKG 6 | 1* | 1* | 1* | 1* | 1* | 1* | 1* | 1* | 1* |
| 8 | 002209 | PANEL, FRONT, CM, 24" **PRE 1016** | 1 | 1 | 1 | - | - | - | - | - | - |
| | 012889 | PANEL, FRONT, CM, VER. 2, 24" | 1 | 1 | 1 | - | - | - | - | - | - |
| | 008861 | PANEL, FRONT, CM, 30" **PRE 1016** | - | - | - | 1 | 1 | 1 | - | - | - |
| | 012912 | PANEL, FRONT, CM, VER. 2, 30" | - | - | - | 1 | 1 | 1 | - | - | - |
| | 001401 | PANEL, FRONT, CM, 36" **PRE 1016** | - | - | - | - | - | - | 1 | 1 | 1 |
| | 012607 | PANEL, FRONT, CM, VER. 2, 36" | - | - | - | - | - | - | 1 | 1 | 1 |
| 9 | 013953 | SERVICE, MS, 8-32 X .375, PH, FLT, UC, SS, PKG 12 | 1 | 1 | 1 | 1 | 1 | 1 | 1 | 1 | 1 |
| 10 | 005767 | BAR, LOWER, SM/CM, CNTRTOP, 24" **PRE 1016** | 1 | - | - | - | - | - | - | - | - |
| | 012775 | BAR, LOWER, SM/CM, CNTRTOP, VER. 2, 24" | 1 | - | - | - | - | - | - | - | - |
| | 009168 | BAR, LOWER, CM, CNTRTOP, 30" **PRE 1016** | - | - | - | 1 | - | - | - | - | - |
| | 012913 | BAR, LOWER, CM, CNTRTOP, VER. 2, 30" | - | - | - | 1 | - | - | - | - | - |
| | 003391 | BAR, LOWER, SM/CM, CNTRTOP, 36" **PRE 1016** | - | - | - | - | - | - | 1 | - | - |
| | 011977 | BAR, LOWER, SM/CM, CNTRTOP, VER. 2, 36" | - | - | - | - | - | - | 1 | - | - |
| 11 | 003273 | WELDMENT, BAR, LOWER, SM/CM, 24" **PRE 1016** | - | 1 | 1 | - | - | - | - | - | - |
| | 012784 | WELDMENT, BAR, LOWER, SM/CM, VER. 2, 24" | - | 1 | 1 | - | - | - | - | - | - |
| | 008654 | WELDMENT, BAR, LOWER, CM, 30" **PRE 1016** | - | - | - | - | 1 | 1 | - | - | - |
| | 012917 | WELDMENT, BAR, LOWER, CM, VER. 2, 30" | - | - | - | - | 1 | 1 | - | - | - |
| | 001003 | WELDMENT, BAR, LOWER, SM/CM, 36" **PRE 1016** | - | - | - | - | - | - | - | 1 | 1 |
| | 011890 | WELDMENT, BAR, LOWER, SM/CM, VER. 2, 36" | - | - | - | - | - | - | - | 1 | 1 |
| 12 | 013959 | SERVICE, MS, 10-24 X .375, HEXHD, ZN, PKG 8 | 1 | 1 | 1 | 1 | 1 | 1 | 1 | 1 | 1 |
| 13 | 005792 | PANEL, BACK, SM/CM, 24" **PRE 1016** | 1 | - | - | - | - | - | - | - | - |
| | 012779 | WELDMENT, PANEL, BACK, SM/CM, VER. 2, 24" | 1 | - | - | - | - | - | - | - | - |
| | 009166 | PANEL, BACK, CM, 30" **PRE 1016** | - | - | - | 1 | - | - | - | - | - |
| | 012916 | WELDMENT, PANEL, BACK, CM, VER. 2, 30" | - | - | - | 1 | - | - | - | - | - |

| Item No. | Part No. | DESCRIPTION | HCMC24 | HCMR24 | HCMW24 | HCMC30 | HCMR30 | HCMW30 | HCMC36 | HCMR36 | HCMW36 |
|----------|----------|--|--------|--------|--------|--------|--------|--------|--------|--------|--------|
| | | | QTY | QTY | QTY | QTY | QTY | QTY | QTY | QTY | QTY |
| | 001284 | PANEL, BACK, SM/CM, 36" **PRE 1016** | - | - | - | - | - | - | 1 | - | - |
| | 011979 | WELDMENT, PANEL, BACK, SM/CM, VER. 2, 36" | - | - | - | - | - | - | 1 | - | - |
| 14 | 004273 | WELDMENT, LEG, HORZ, SM/CM **PRE 1016** | 2 | - | - | 2 | - | - | 2 | - | - |
| | 011907 | WELDMENT, LEG, HORZ, SM/CM, VER. 2 | 2 | - | - | 2 | - | - | 2 | - | - |
| 15 | 000470 | ADJUSTABLE LEG ASSEMBLY, 4" | 4 | - | - | 4 | - | - | 4 | - | - |
| 16 | 013958 | SERVICE, HB, 1/4-20 X 1.0, SS, PKG 8 | 3 | - | - | 3 | - | - | 3 | - | - |
| 17 | 003221 | HANGER ASSY, LH, SM/CM | - | 1 | - | - | 1 | - | - | 1 | - |
| 18 | 003220 | HANGER ASSY, RH, SM/CM | - | 1 | - | - | 1 | - | - | 1 | - |
| 19 | 014181 | SERVICE, HB, 1/2-13 X 1.25, ZN, PKG 4 | - | 1 | - | - | 1 | - | - | 1 | - |
| 20 | 009291 | BRACKET, WALL, "Z", SM/CM, FOR 24" | - | - | 1 | - | - | - | - | - | - |
| | 008123 | BRACKET, WALL, "Z", CM, 26" | - | - | - | - | - | 1 | - | - | - |
| | 012006 | BRACKET, WALL, "Z", SM/CM, VER. 2, FOR 36" | - | - | - | - | - | - | - | - | 1 |
| 21 | 013960 | SERVICE, HB, 3/8-16 X .625, ZN, PKG 4 | 1 | 1 | 1 | 1 | 1 | 1 | 1 | 1 | 1 |
| 22 | 014323 | SERVICE, SIDE, REMOVABLE, SM/CM | X | X | X | X | X | X | X | X | X |

* QTY REQUIRED 2 FOR UNITS BUILT PRE **PRE 1016**

STANDARD CONFIGURATION DEPICTED
 FOR HCMD36-___
 FOR NON-STANDARD CONFIGURATIONS
 PLEASE CONTACT HESTAN FOR DETAILS



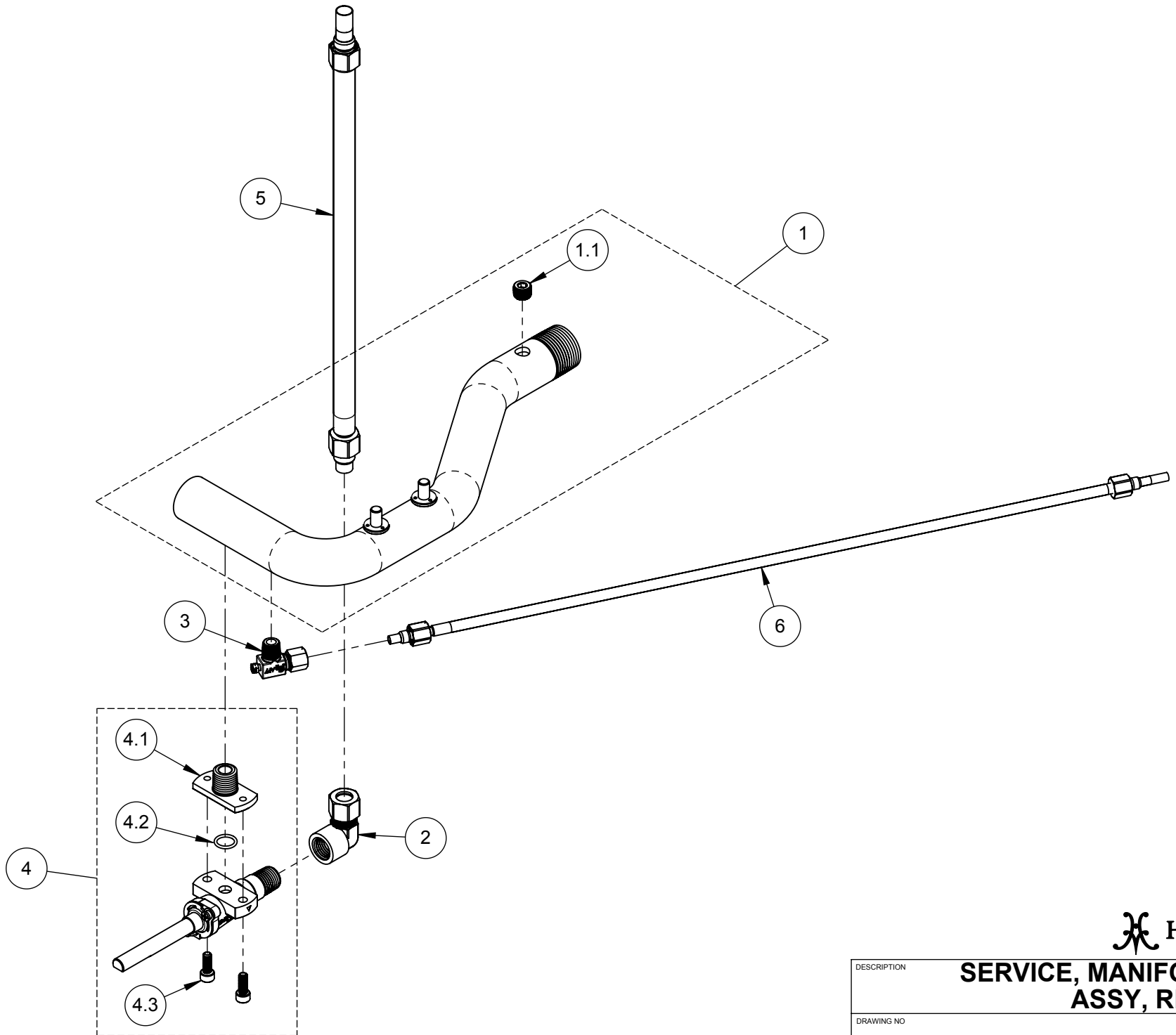
DETAIL A
 PILOT SHIELD SHOWN
 FOR CLARITY

PILOT SHIELD



**SERVICE, ASSY, TOP, CM,
 SINGLE BURNER**

| | |
|-------------|-----------|
| DESCRIPTION | A1 |
| DRAWING NO | |




HESTAN

**SERVICE, MANIFOLD, GAS
 ASSY, RH, SM/CM**

DESCRIPTION

DRAWING NO

B1

B1 - GAS MANIFOLD ASSEMBLY, RIGHT - CHEESEMELTER

| | | | HCM__ |
|----------|----------|--|-------|
| Item No. | Part No. | DESCRIPTION | QTY |
| 1 | 004122 | ASSY, MANIFOLD, RH, SM/CM | 1 |
| 1.1 | 000360 | PLUG, HEX SOCKET, 1/8" NPT | 1 |
| 2 | 002321 | ELBOW, ADAPTER, 1/4 NPT FEMALE X 3/8 CC | 1 |
| 3 | 000113 | VALVE, PILOT, 1/8NPT x 3/16 COMP., ELBOW | 1 |
| 4 | 015662 | KIT, VALVE, ON-OFF, FLANGE-MOUNT, A23-F | 1 |
| 4.1 | 004643 | FLANGED NIPPLE, 1/4"NPT | 1 |
| 4.2 | 014103 | SERVICE, O-RING, FLANGED NIPPLE, PKG 6 | 1 |
| 4.3 | 012750 | SERVICE, SHCS, #10-24 X .500, SS, PKG 6 | 1 |
| 5 | 005682 | HOSE, FLEX, 3/8 OD, 12", F-F, NUT/FERRULE | 1 |
| 6 | 005688 | HOSE, FLEX, 3/16 OD, 18", F-F, NUT/FERRULE | 1 |