



Commercial Service Parts

CHEESEMELTER (DOUBLE DEPTH) - PT. 5

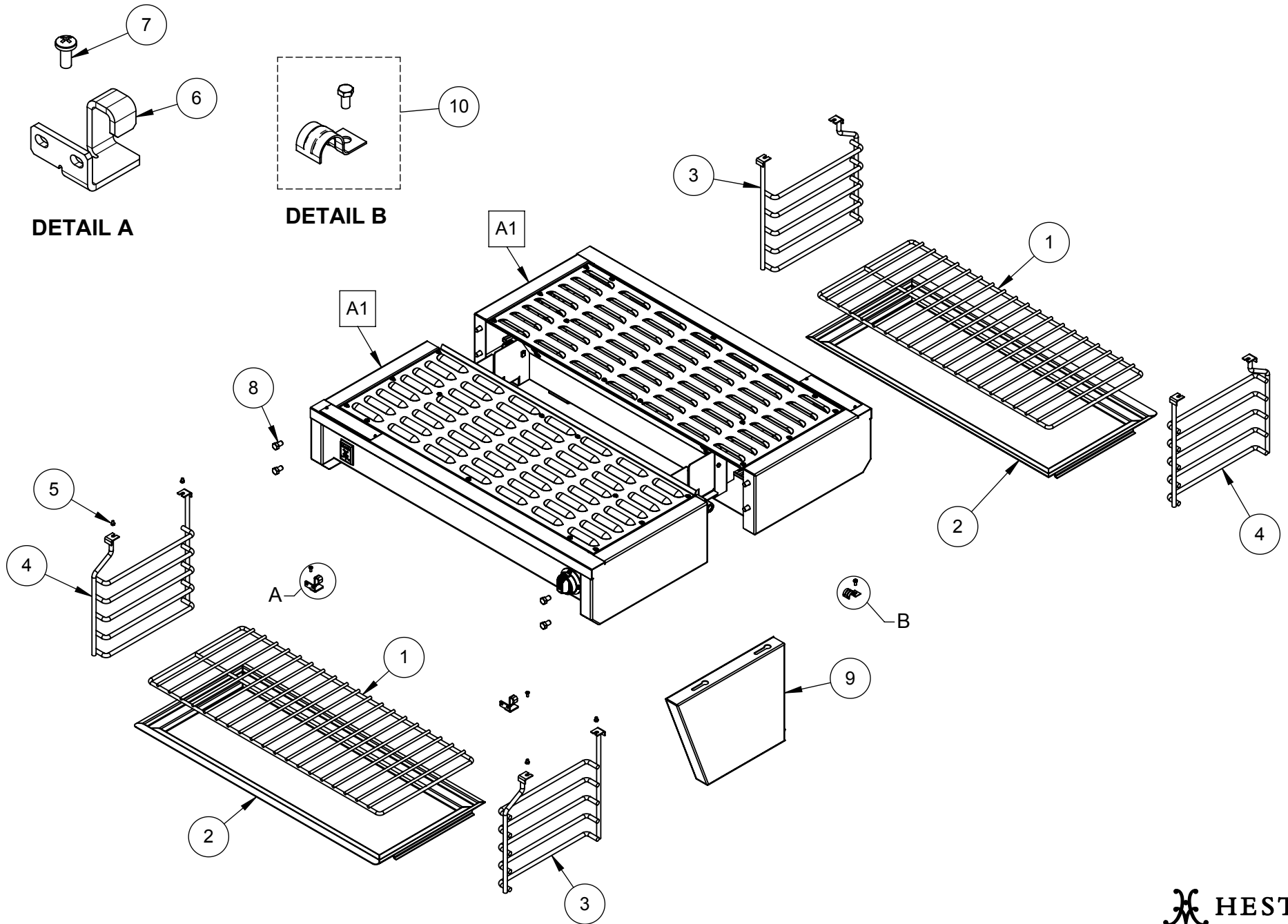
APPLICABLE MODELS:

-HCMD36

Hestan Commercial Corporation
3375 E. La Palma Ave.
Anaheim, CA 92806
(888) 905-7463

RETAIN THIS FOR FUTURE REFERENCE

Revised: May 15, 2020
Rev. B



DETAIL A

DETAIL B

HESTAN

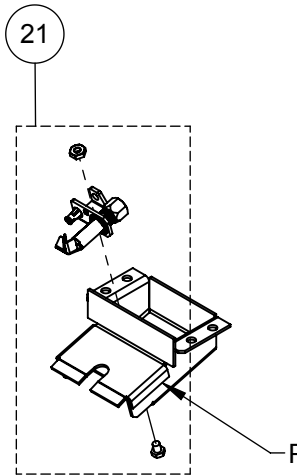
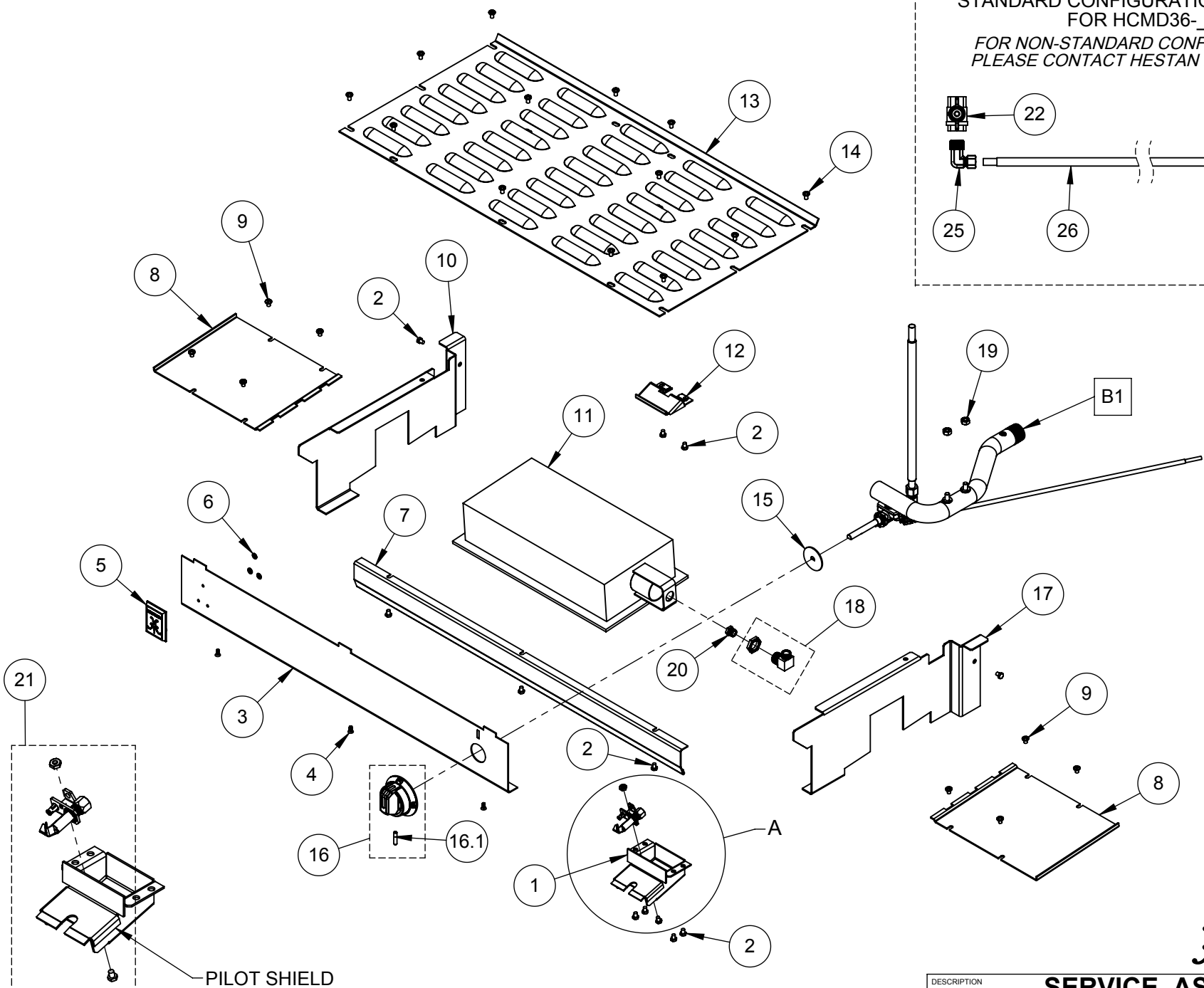
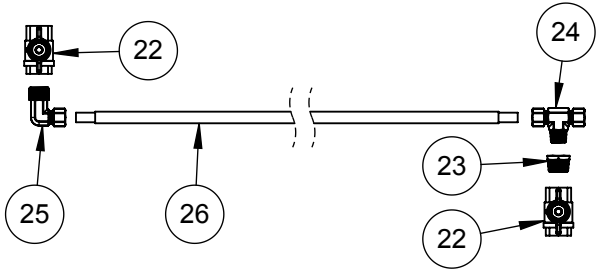
**SERVICE PARTS,
CHEESEMELTER 5**

DESCRIPTION
DRAWING NO. HCMXXX-SERVICE5

CHEESEMELTER, DOUBLE-DEPTH (DUAL BURNER) - SERVICE PARTS LIST

			HCMD36
Item No.	Part No.	DESCRIPTION	QTY
1	000656	RACK, CM, 36"	2
2	001473	TRAY, DRIP, CM, 36"	2
3	004253	RACK, LADDER, RH, CHEESEMELTER	2
4	004312	RACK, LADDER, LH, CHEESEMELTER	2
5	010237	SERVICE, MS, 10-24 X 1/4, HEXHD, SS, PKG 6	2
6	007923	BCKT, RACK, LADDER, CM, DD	4
7	011857	SERVICE, MS, 8-32 X .375, PH, PAN, SS, PKG 6	1
8	013960	SERVICE, HB, 3/8-16 X .625, ZN, PKG 4	1
9	014323	SERVICE, SIDE, REMOVABLE, SM/CM	X
10	015021	SERVICE, CLAMP, HOSE, .FOR .5" DIAM., KIT	2

STANDARD CONFIGURATION DEPICTED
 FOR HCMD36-___
 FOR NON-STANDARD CONFIGURATIONS
 PLEASE CONTACT HESTAN FOR DETAILS



DETAIL A
 PILOT SHIELD SHOWN
 FOR CLARITY

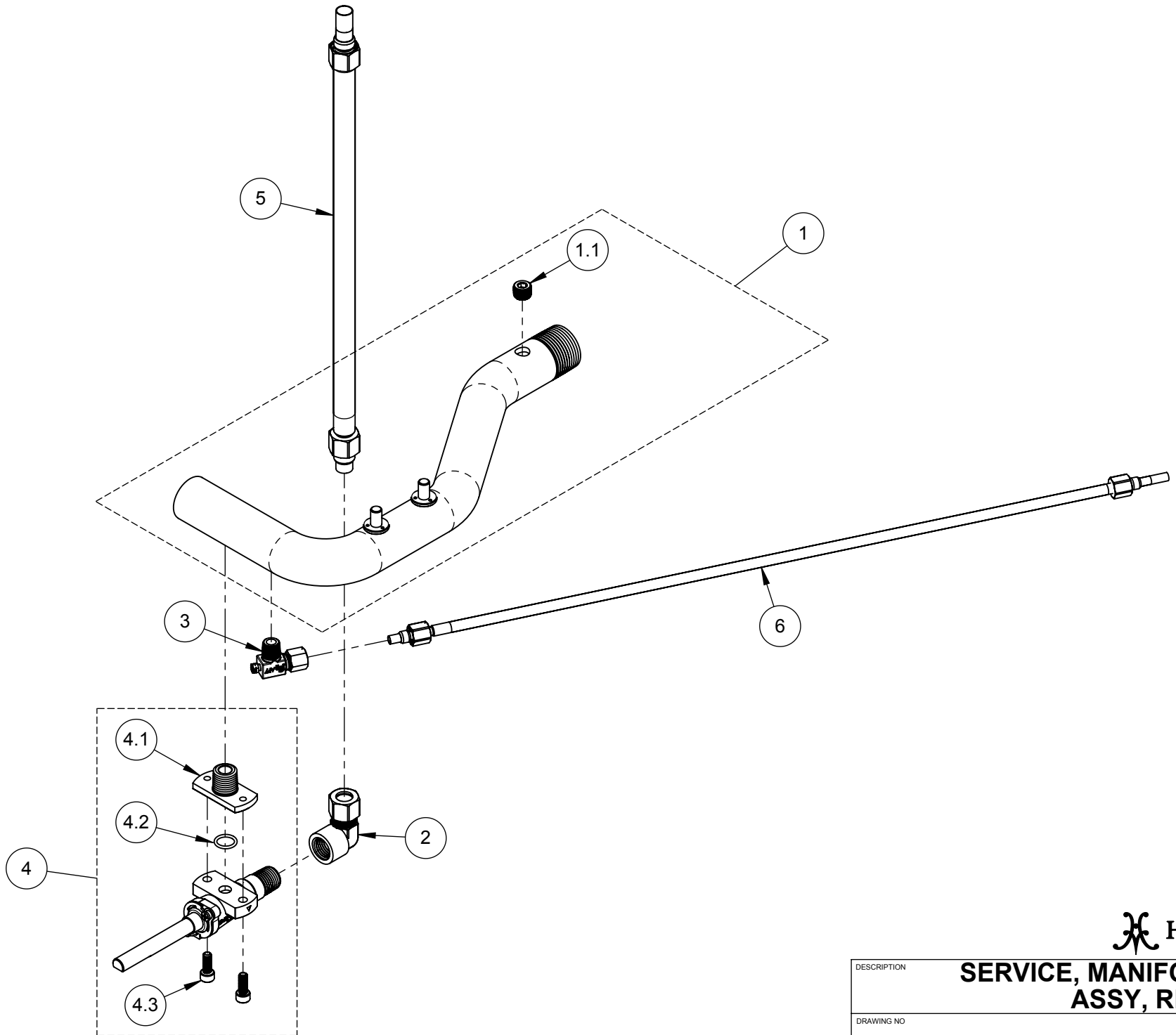


**SERVICE, ASSY, TOP, CM,
 SINGLE BURNER**

DESCRIPTION	
DRAWING NO	A1

A1 - TOP, SINGLE BURNER - CHEESEMELTER

			HCMD36
Item No.	Part No.	DESCRIPTION	QTY
1	013132	SHIELD, PILOT, SM/CM	2
2	010237	SERVICE, MS, 10-24 X 1/4, HEXHD, SS, PKG 6	7
3	004244	PANEL W/INDICATOR, CONTROL, SM/CM, 36"	2
4	013953	SERVICE, MS, 8-32 X .375, PH, FLT, UC, SS, PKG 12	1
5	001842	LOGO, HESTAN, 2.125 x 1.56	2
6	014439	SERVICE, RETAINING RING, EXTERNAL, .125" DIAMETER SHAFT, PKG 4	2
7	001020	DEFLECTOR, HEAT, SM/CM, 36"	2
8	001579	PANEL, UNDER, SIDE, SM/CM	4
9	013962	SERVICE, MS, 10-24 X .25, PH, PAN, ZN, PKG 8	2
10	008546	ASSY, BAFFLE, LH, TOP, SM/CM	2
11	000677	BURNER, INFRARED, INCONEL, B30	2
12	006822	WELDMENT, COVER, PILOT, SM/CM	2
13	001176	PANEL, TOP, SM/CM, 36"	2
14	013961	SERVICE, MS, 10-24 X .313, PH, PAN, SS, PKG 15	2
15	014154	SERVICE, SHIELD, SWITCH/MODULE, PKG 2	1
16	000150	KNOB ASSY., ON-OFF, 85%	2
16.1	014300	SERVICE, SETSCREW, #10-24 X .875, CUP PT., SS, PKG 6	1
17	008544	ASSY, BAFFLE, RH, TOP, SM/CM	2
18	014179	SERVICE, ELBOW W/PNL NUT, ORIFICE, IR BURNER, KIT	2
19	014155	SERVICE, NUT, 1/4-20, ZN, PKG 4	1
20	002865-041	ORIFICE, SPUD **NG STANDARD**	X
	002865-052	ORIFICE, SPUD **LP STANDARD**	X
21	014185	SERVICE, PILOT ASSY., RIGHT ANGLE, 5C-2, LP, KIT	2
	014180	SERVICE, PILOT ASSY., RIGHT ANGLE, 5C-2, NG, KIT	2
22	003007	VALVE, BALL, T-HANDLE, 3/4" NPT	2
23	006644	BUSHING, HEX REDUCING, 3/4 NPTM X 1/2 NPTF	1
24	009444	TEE, 1/2 CC X 1/2 NPTM	1
25	009475	ELBOW, 90° ADAPTER, 3/4 NPTM TO 1/2 CC	1
26	005915	HOSE, FLEX, 1/2" OD, 36"	1




HESTAN

**SERVICE, MANIFOLD, GAS
 ASSY, RH, SM/CM**

DESCRIPTION

DRAWING NO

B1

B1 - GAS MANIFOLD ASSEMBLY, RIGHT - CHEESEMELTER

			HCM__
Item No.	Part No.	DESCRIPTION	QTY
1	004122	ASSY, MANIFOLD, RH, SM/CM	1
1.1	000360	PLUG, HEX SOCKET, 1/8" NPT	1
2	002321	ELBOW, ADAPTER, 1/4 NPT FEMALE X 3/8 CC	1
3	000113	VALVE, PILOT, 1/8NPT x 3/16 COMP., ELBOW	1
4	015662	KIT, VALVE, ON-OFF, FLANGE-MOUNT, A23-F	1
4.1	004643	FLANGED NIPPLE, 1/4"NPT	1
4.2	014103	SERVICE, O-RING, FLANGED NIPPLE, PKG 6	1
4.3	012750	SERVICE, SHCS, #10-24 X .500, SS, PKG 6	1
5	005682	HOSE, FLEX, 3/8 OD, 12", F-F, NUT/FERRULE	1
6	005688	HOSE, FLEX, 3/16 OD, 18", F-F, NUT/FERRULE	1