



Commercial Service Parts

CHEESEMELTER (DOUBLE DEPTH) - PT. 6

APPLICABLE MODELS:

-HCMD48

-HCMD54

-HCMD60

-HCMD72

Hestan Commercial Corporation

3375 E. La Palma Ave.

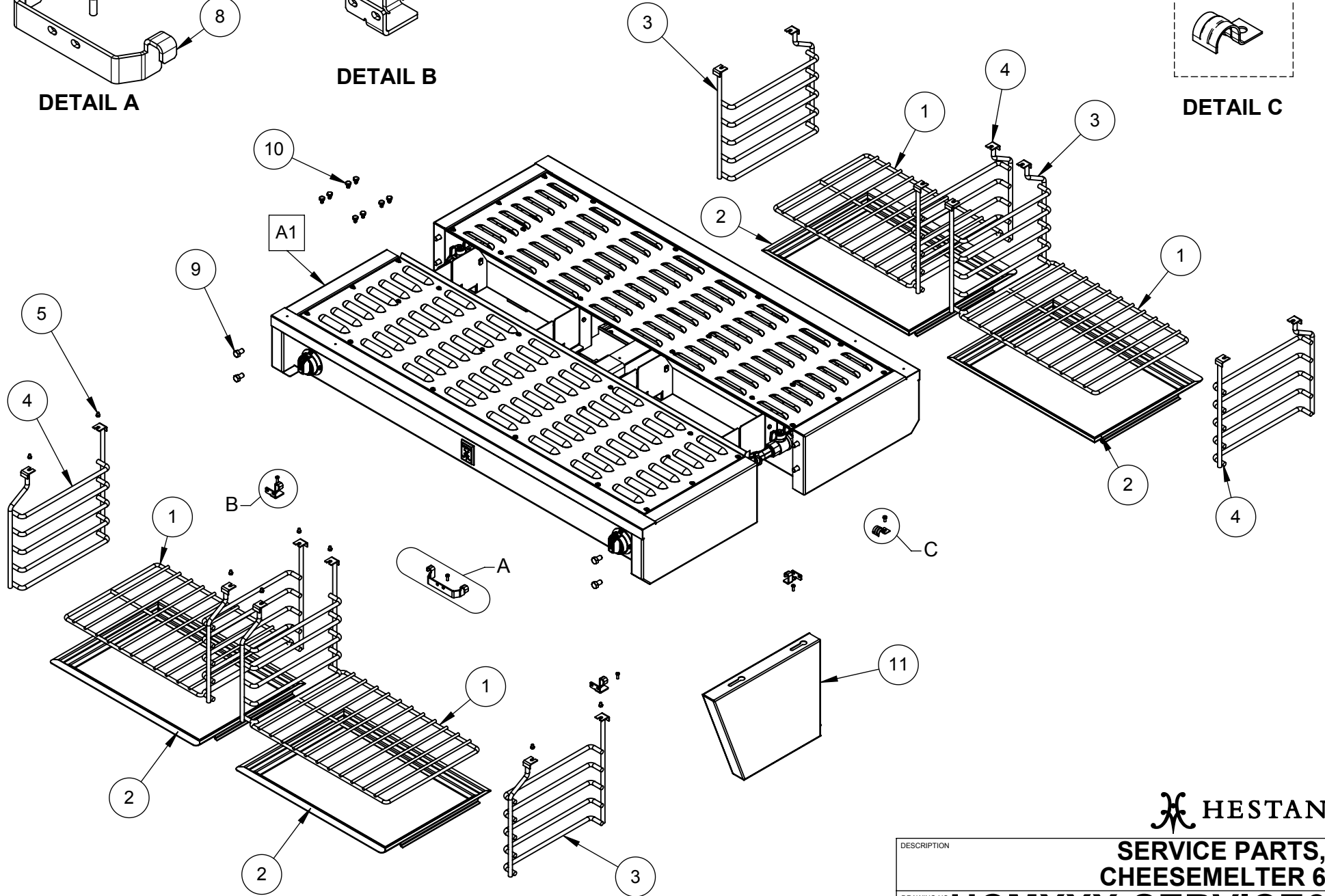
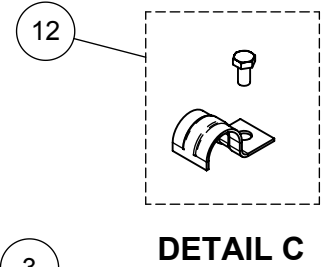
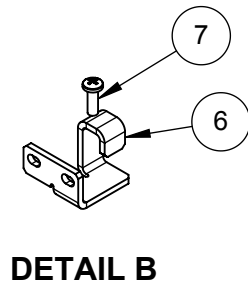
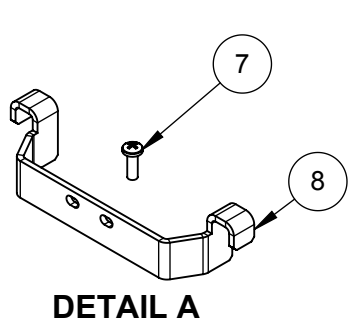
Anaheim, CA 92806

(888) 905-7463

RETAIN THIS FOR FUTURE REFERENCE

Revised: Dec. 15, 2020

Rev. C



HESTAN

**SERVICE PARTS,
CHEESEMELTER 6**

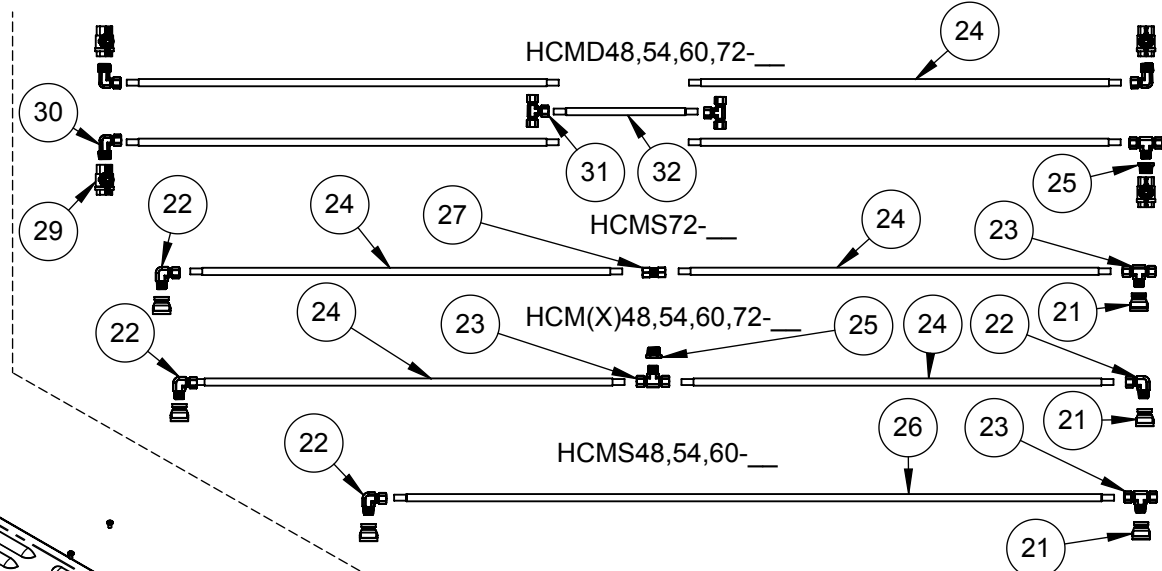
DESCRIPTION

DRAWING NO

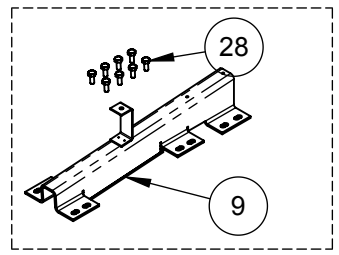
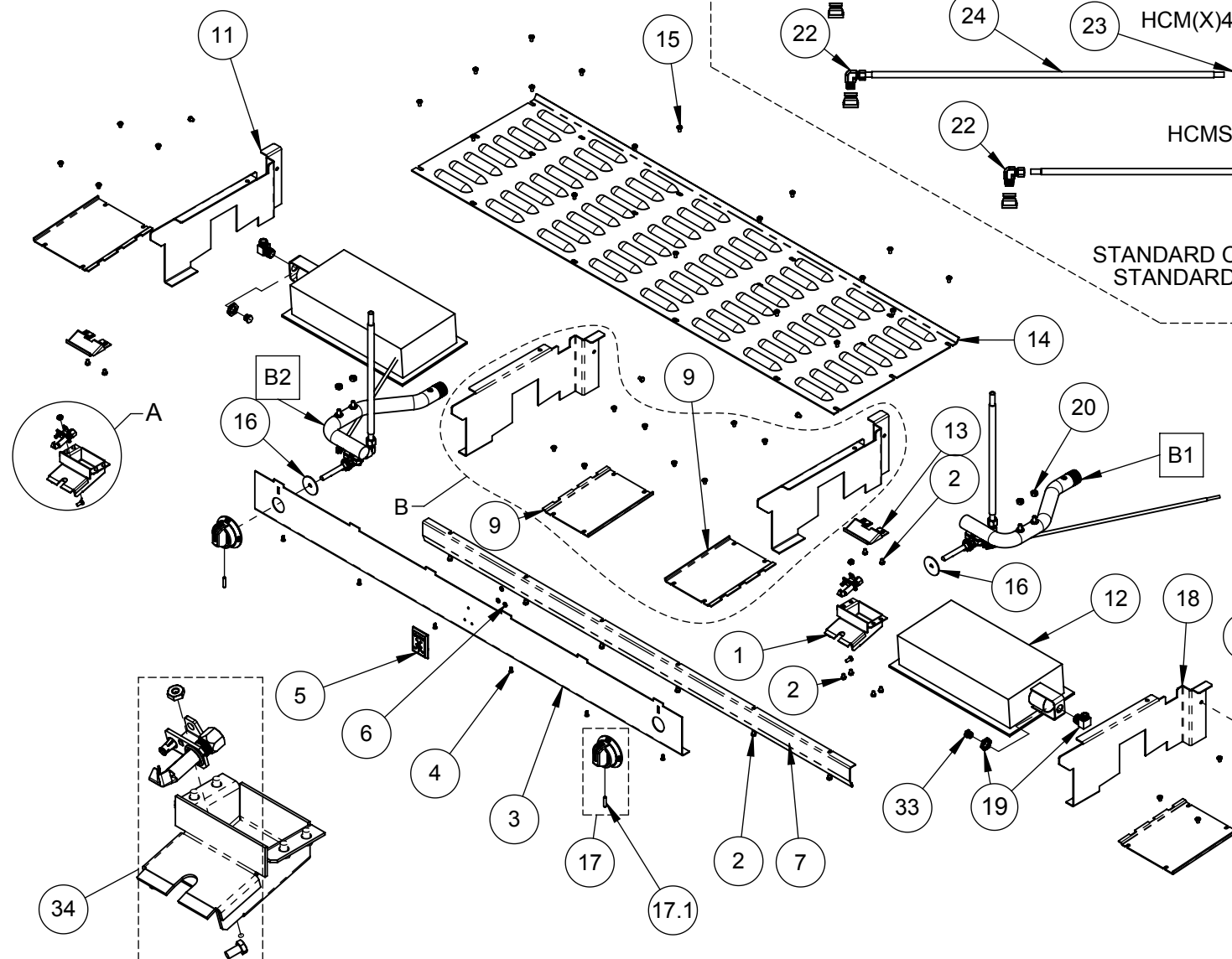
HCMXXX-SERVICE6

CHEESEMELTER, DOUBLE-DEPTH (QUAD BURNER) - SERVICE PARTS LIST

Item No.	Part No.	DESCRIPTION	HCMD48	HCMD54	HCMD60	HCMD72
			QTY	QTY	QTY	QTY
1	002620	RACK, CM, 24"	4	-	-	-
	008696	RACK, CM, 54"	-	4	-	-
	008116	RACK, CM, 30"	-	-	4	-
	000656	RACK, CM, 36"	-	-	-	4
2	002619	TRAY, DRIP, CM, 24"	4	-	-	-
	008697	TRAY, DRIP, CM, 54"	-	4	-	-
	008117	TRAY, DRIP, CM, 30"	-	-	4	-
	001473	TRAY, DRIP, CM, 36"	-	-	-	4
3	004253	RACK, LADDER, RH, CHEESEMELTER	4	4	4	4
4	004312	RACK, LADDER, LH, CHEESEMELTER	4	4	4	4
5	010237	SERVICE, MS, 10-24 X 1/4, HEXHD, SS, PKG 6	3	3	3	3
6	007923	BCKT, RACK, LADDER, CM, DD	4	4	4	4
7	011857	SERVICE, MS, 8-32 X .375, PH, PAN, SS, PKG 6	1	1	1	1
8	007913	BRACKET, RACK, LADDER, CTR, CM	1	1	1	1
9	013960	SERVICE, HB, 3/8-16 X .625, ZN, PKG 4	1	1	1	1
10	010239	SERVICE, HB, 1/4-20 X .375, ZN, PKG 2	4	4	4	4
11	014323	SERVICE, SIDE, REMOVABLE, SM/CM	X	X	X	X
12	015021	SERVICE, CLAMP, HOSE, .FOR .5" DIAM., KIT	5	5	5	5



STANDARD CONFIGURATIONS DEPICTED. FOR NON-STANDARD CONFIGURATIONS PLEASE CONTACT HESTAN FOR DETAILS.



DETAIL B
ITEMS SHOWN BELOW USED FOR HCM(X)60, HCMS60 & HCMD 60 IN PLACE OF THOSE DEPICTED IN EXPLODED VIEW.

DETAIL A
SERVICE KIT DETAIL
MOUNTING BRACKET SHOWN FOR CLARITY



**SERVICE, ASSY, TOP, CM,
DUAL BURNER**

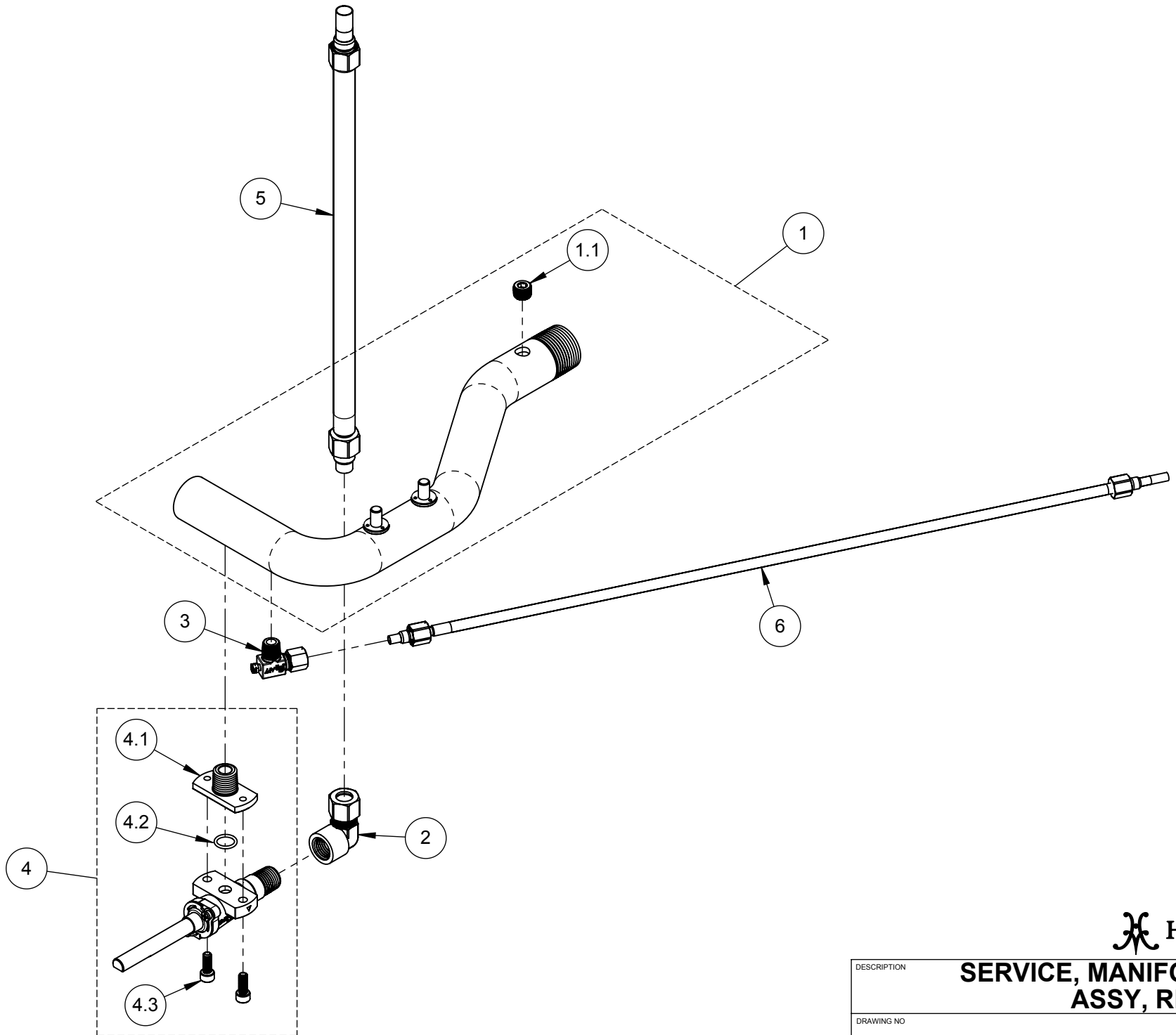
DESCRIPTION
DRAWING NO

A1

A1 - TOP, DUAL BURNER - CHEESEMELTER

Item No.	Part No.	DESCRIPTION	HCMD48	HCMD54	HCMD60	HCMD72
			QTY	QTY	QTY	QTY
1	013132	SHIELD, PILOT, SM/CM	4	4	4	4
2	010237	SERVICE, MS, 10-24 X 1/4, HEXHD, SS, PKG 6	7	7	7	7
3	007785	PANEL W/INDICATOR, CONTROL, CM, 48"	2	-	-	-
	008687	PANEL W/INDICATOR, CONTROL, CM, 54"	-	2	-	-
	007959	PANEL W/INDICATOR, CONTROL, CM, 60"	-	-	2	-
	004247	PANEL W/INDICATOR, CONTROL, CM, 72"	-	-	-	2
4	013953	SERVICE, MS, 8-32 X .375, PH, FLT, UC, SS, PKG 12	1	1	1	1
5	001842	LOGO, HESTAN, 2.125 x 1.56	2	2	2	2
6	014439	SERVICE, RETAINING RING, EXTERNAL, .125" DIAMETER SHAFT, PKG 4	2	2	2	2
7	003942	DEFLECTOR, HEAT, CM, 48"	2	-	-	-
	008685	DEFLECTOR, HEAT, CM, 54"	-	2	-	-
	008435	DEFLECTOR, HEAT, CM, 60"	-	-	2	-
	002412	DEFLECTOR, HEAT, CM, 72"	-	-	-	2
8	003915	PANEL, UNDER, SIDE, SM/CM, 24"	4	-	-	-
	008710	PANEL, UNDER, SIDE, CM, 54"	-	4	-	-
	008437	PANEL, UNDER, SIDE, CM, 30"	-	-	4	-
	001579	PANEL, UNDER, SIDE, SM/CM	-	-	-	4
9	003916	PANEL, UNDER, CENTER, CM, 48"	4	-	-	-
	008711	PANEL, UNDER, CENTER, CM, 54"	-	4	-	-
	008439	WELMT, SUPPORT, STRUCTURAL, MID-SPAN, CM, 60"	-	-	2	-
	002485	PANEL, UNDER, CENTER, CM, 72"	-	-	-	4
10	013962	SERVICE, MS, 10-24 X .25, PH, PAN, ZN, PKG 8	4	4	2	4
11	008621	ASSY, BAFFLE, LH, TOP, SM/CM, 24"	4	4	-	-
	008495	WELDMENT, BAFFLE, LH, TOP, CM, 30"	-	-	2	-
	008546	ASSY, BAFFLE, LH, TOP, SM/CM	-	-	-	4
12	002185	BURNER, INFRARED, INCONEL, B15	4	4	-	-
	000677	BURNER, INFRARED, INCONEL, B30	-	-	4	4
13	006822	WELDMENT, COVER, PILOT, SM/CM	4	4	4	4
14	002213	PANEL, TOP, CM, 48"	2	-	-	-
	008694	PANEL, TOP, CM, 54"	-	2	-	-
	008058	PANEL, TOP, CM, 60"	-	-	2	-

Item No.	Part No.	DESCRIPTION	HCMD48	HCMD54	HCMD60	HCMD72
			QTY	QTY	QTY	QTY
	002635	PANEL, TOP, CM, 72"	-	-	-	2
15	013961	SERVICE, MS, 10-24 X .313, PH, PAN, SS, PKG 15	3	3	3	3
16	014154	SERVICE, SHIELD, SWITCH/MODULE, PKG 2	4	4	4	4
17	000150	KNOB ASSY., ON-OFF, 85%	4	4	4	4
17.1	014300	SERVICE, SETSCREW, #10-24 X .875, CUP PT., SS, PKG 6	1	1	1	1
18	008620	ASSY, BAFFLE, RH, TOP, SM/CM, 24"	4	4	-	-
	008494	WELDMENT, BAFFLE, RH, TOP, CM, 30"	-	-	2	-
	008544	ASSY, BAFFLE, RH, TOP, SM/CM	-	-	-	4
19	014179	SERVICE, ELBOW W/PNL NUT, ORIFICE, IR BURNER, KIT	4	4	4	4
20	014155	SERVICE, NUT, 1/4-20, ZN, PKG 4	2	2	2	2
21	006511	BELL, REDUCER, 3/4 X 1/2 NPT	-	-	-	-
22	009445	ELBOW, 90° ADAPTER, 1/2 NPTM TO 1/2 CC	-	-	-	-
23	009444	TEE, 1/2 CC X 1/2 NPTM	1	1	1	1
24	005915	HOSE, FLEX, 1/2" OD, 36"	4	4	4	-
	006073	HOSE, FLEX, 1/2" OD, 48"	-	-	-	4
25	006644	BUSHING, HEX REDUCING, 3/4 NPTM X 1/2 NPTF	1	1	1	1
26	009446	HOSE, FLEX, 1/2" OD, 60"	-	-	-	-
	009462	HOSE, FLEX, 1/2" OD, 72"	-	-	-	-
27	009560	UNION, 1/2 CC X 1/2 CC, BRASS	-	-	-	-
28	013389	SERVICE, HB, 1/4-20 X .625, ZN, PKG 8	-	-	1	-
29	003007	VALVE, BALL, T-HANDLE, 3/4" NPT	4	4	4	4
30	009475	ELBOW, 90° ADAPTER, 3/4 NPTM TO 1/2 CC	3	3	3	3
31	009477	TEE, 1/2 CC	2	2	2	2
32	003896	HOSE, FLEX, 1/2" OD, 12"	1	1	1	1
33	002865-047	ORIFICE, SPUD **NG STANDARD**	X	X	-	-
	002865-043	ORIFICE, SPUD **NG STANDARD**	-	-	X	-
	002865-041	ORIFICE, SPUD **NG STANDARD**	-	-	-	X
	002865-055	ORIFICE, SPUD **LP STANDARD**	X	X	-	-
	002865-053	ORIFICE, SPUD **LP STANDARD**	-	-	X	-
	002865-052	ORIFICE, SPUD **LP STANDARD**	-	-	-	X
34	014185	SERVICE, PILOT ASSY., RIGHT ANGLE, 5C-2, LP, KIT	4	4	4	4
	014180	SERVICE, PILOT ASSY., RIGHT ANGLE, 5C-2, NG, KIT	4	4	4	4




HESTAN

**SERVICE, MANIFOLD, GAS
 ASSY, RH, SM/CM**

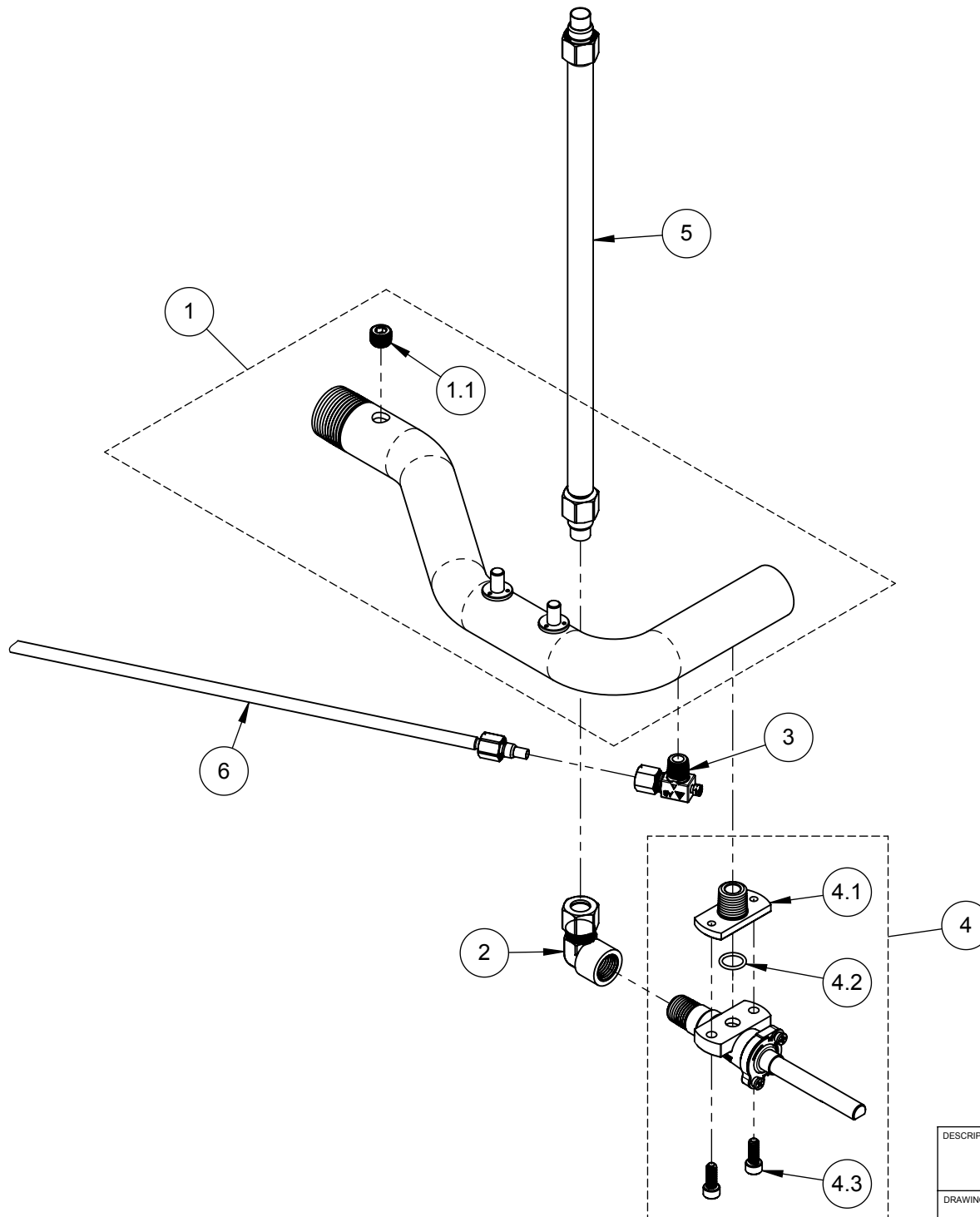
DESCRIPTION

DRAWING NO

B1

B1 - GAS MANIFOLD ASSEMBLY, RIGHT - CHEESEMELTER

			HCM__
Item No.	Part No.	DESCRIPTION	QTY
1	004122	ASSY, MANIFOLD, RH, SM/CM	1
1.1	000360	PLUG, HEX SOCKET, 1/8" NPT	1
2	002321	ELBOW, ADAPTER, 1/4 NPT FEMALE X 3/8 CC	1
3	000113	VALVE, PILOT, 1/8NPT x 3/16 COMP., ELBOW	1
4	015662	KIT, VALVE, ON-OFF, FLANGE-MOUNT, A23-F	1
4.1	004643	FLANGED NIPPLE, 1/4"NPT	1
4.2	014103	SERVICE, O-RING, FLANGED NIPPLE, PKG 6	1
4.3	012750	SERVICE, SHCS, #10-24 X .500, SS, PKG 6	1
5	005682	HOSE, FLEX, 3/8 OD, 12", F-F, NUT/FERRULE	1
6	005688	HOSE, FLEX, 3/16 OD, 18", F-F, NUT/FERRULE	1




HESTAN

**SERVICE, MANIFOLD, GAS
 ASSY, LH, CM**

DESCRIPTION

DRAWING NO

B2

B2 - GAS MANIFOLD ASSEMBLY, LEFT - CHEESEMELTER

			HCM__
Item No.	Part No.	DESCRIPTION	QTY
1	004123	ASSY, MANIFOLD, LH, CM	1
1.1	000360	PLUG, HEX SOCKET, 1/8" NPT	1
2	002321	ELBOW, ADAPTER, 1/4 NPT FEMALE X 3/8 CC	1
3	000113	VALVE, PILOT, 1/8NPT x 3/16 COMP., ELBOW	1
4	015662	KIT, VALVE, ON-OFF, FLANGE-MOUNT, A23-F	1
4.1	004643	FLANGED NIPPLE, 1/4"NPT	1
4.2	014103	SERVICE, O-RING, FLANGED NIPPLE, PKG 6	1
4.3	012750	SERVICE, SHCS, #10-24 X .500, SS, PKG 6	1
5	005682	HOSE, FLEX, 3/8 OD, 12", F-F, NUT/FERRULE	1
6	005688	HOSE, FLEX, 3/16 OD, 18", F-F, NUT/FERRULE	1