



Commercial Service Parts

CHEESEMELTER (SEE-THRU) - PT. 4

APPLICABLE MODELS:

-HCMS48

-HCMS54

-HCMS60

-HCMS72

Hestan Commercial Corporation

3375 E. La Palma Ave.

Anaheim, CA 92806

(888) 905-7463

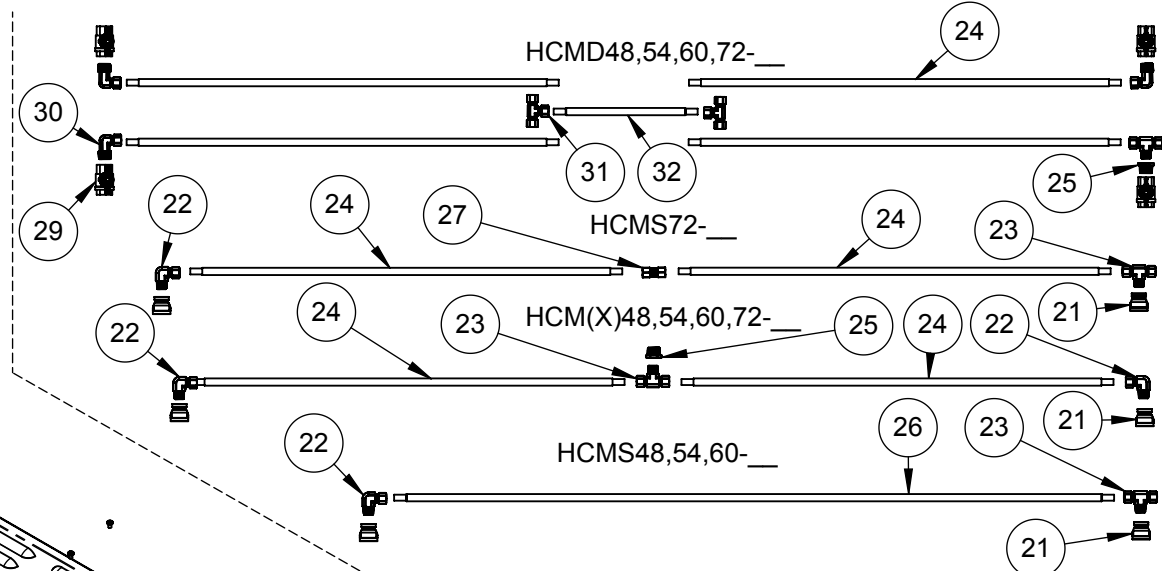
RETAIN THIS FOR FUTURE REFERENCE

Revised: Dec. 15, 2020

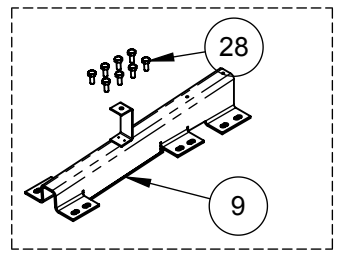
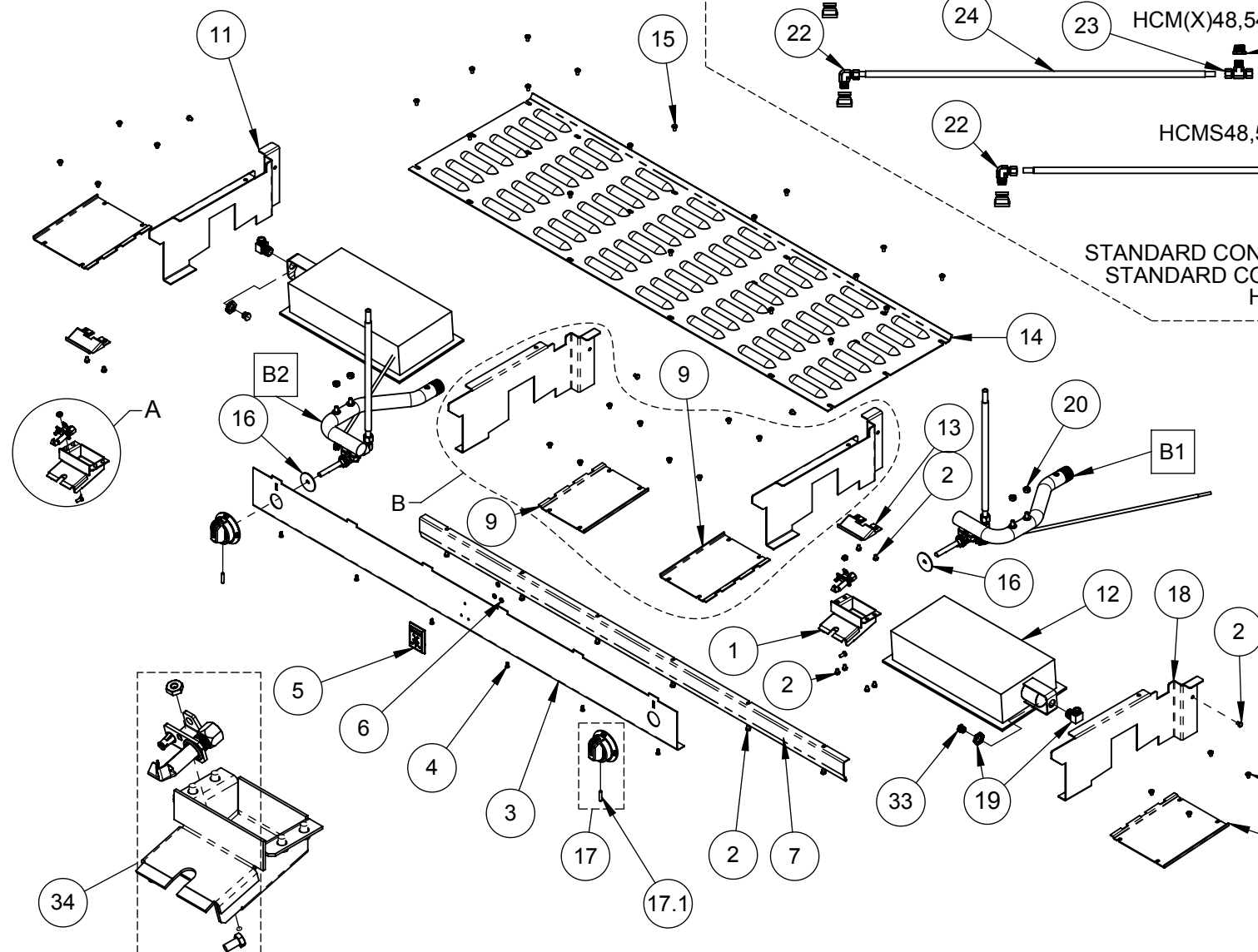
Rev. C

CHEESEMELTER, SEE-THRU (DUAL BURNER) - SERVICE PARTS LIST

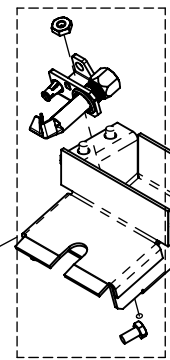
| Item No. | Part No. | DESCRIPTION | HCMS48 | HCMS54 | HCMS60 | HCMS72 |
|----------|----------|--|--------|--------|--------|--------|
| | | | QTY | QTY | QTY | QTY |
| 1 | 002620 | RACK, CM, 24" | 2 | - | - | - |
| | 008696 | RACK, CM, 54" | - | 2 | - | - |
| | 008116 | RACK, CM, 30" | - | - | 2 | - |
| | 000656 | RACK, CM, 36" | - | - | - | 2 |
| 2 | 002619 | TRAY, DRIP, CM, 24" | 2 | - | - | - |
| | 008697 | TRAY, DRIP, CM, 54" | - | 2 | - | - |
| | 008117 | TRAY, DRIP, CM, 30" | - | - | 2 | - |
| | 001473 | TRAY, DRIP, CM, 36" | - | - | - | 2 |
| 3 | 004253 | RACK, LADDER, RH, CHEESEMELTER | 2 | 2 | 2 | 2 |
| 4 | 004312 | RACK, LADDER, LH, CHEESEMELTER | 2 | 2 | 2 | 2 |
| 5 | 010237 | SERVICE, MS, 10-24 X 1/4, HEXHD, SS, PKG 6 | 2 | 2 | 2 | 2 |
| 6 | 007923 | BCKT, RACK, LADDER, CM, DD | 2 | 2 | 2 | 2 |
| 7 | 011857 | SERVICE, MS, 8-32 X .375, PH, PAN, SS, PKG 6 | 1 | 1 | 1 | 1 |
| 8 | 009385 | WELDMENT, PANEL, BACK, CM, SEE-THRU, 48" | 1 | - | - | - |
| | 009942 | WELDMENT, PANEL, BACK, CM, SEE-THRU, 54" | - | 1 | - | - |
| | 009460 | WELDMENT, PANEL, BACK, CM, SEE-THRU, 60" | - | - | 1 | - |
| | 009549 | WELDMENT, PANEL, BACK, CM, SEE-THRU, 72" | - | - | - | 1 |
| 9 | 007449 | BRACKET, COVER, REAR, CM, SEE-THRU | 2 | 2 | 2 | 4 |
| 10 | 007913 | BRACKET, RACK, LADDER, CTR, CM | 1 | 1 | 1 | 1 |
| 11 | 013960 | SERVICE, HB, 3/8-16 X .625, ZN, PKG 4 | 1 | 1 | 1 | 1 |
| 12 | 010239 | SERVICE, HB, 1/4-20 X .375, ZN, PKG 2 | 2 | 2 | 2 | 2 |
| 13 | 014323 | SERVICE, SIDE, REMOVABLE, SM/CM | X | X | X | X |
| 14 | 015021 | SERVICE, CLAMP, HOSE, .FOR .5" DIAM., KIT | 2 | 2 | 2 | 3 |
| 15 | 015023 | SERVICE, MS, 10-24 X 3/8, HEXHD, SS, PKG 8 | 1 | 1 | 1 | 1 |



STANDARD CONFIGURATIONS DEPICTED. FOR NON-STANDARD CONFIGURATIONS PLEASE CONTACT HESTAN FOR DETAILS.



DETAIL B
ITEMS SHOWN BELOW USED FOR HCM(X)60, HCMS60 & HCMD 60 IN PLACE OF THOSE DEPICTED IN EXPLODED VIEW.



DETAIL A
SERVICE KIT DETAIL
MOUNTING BRACKET SHOWN FOR CLARITY



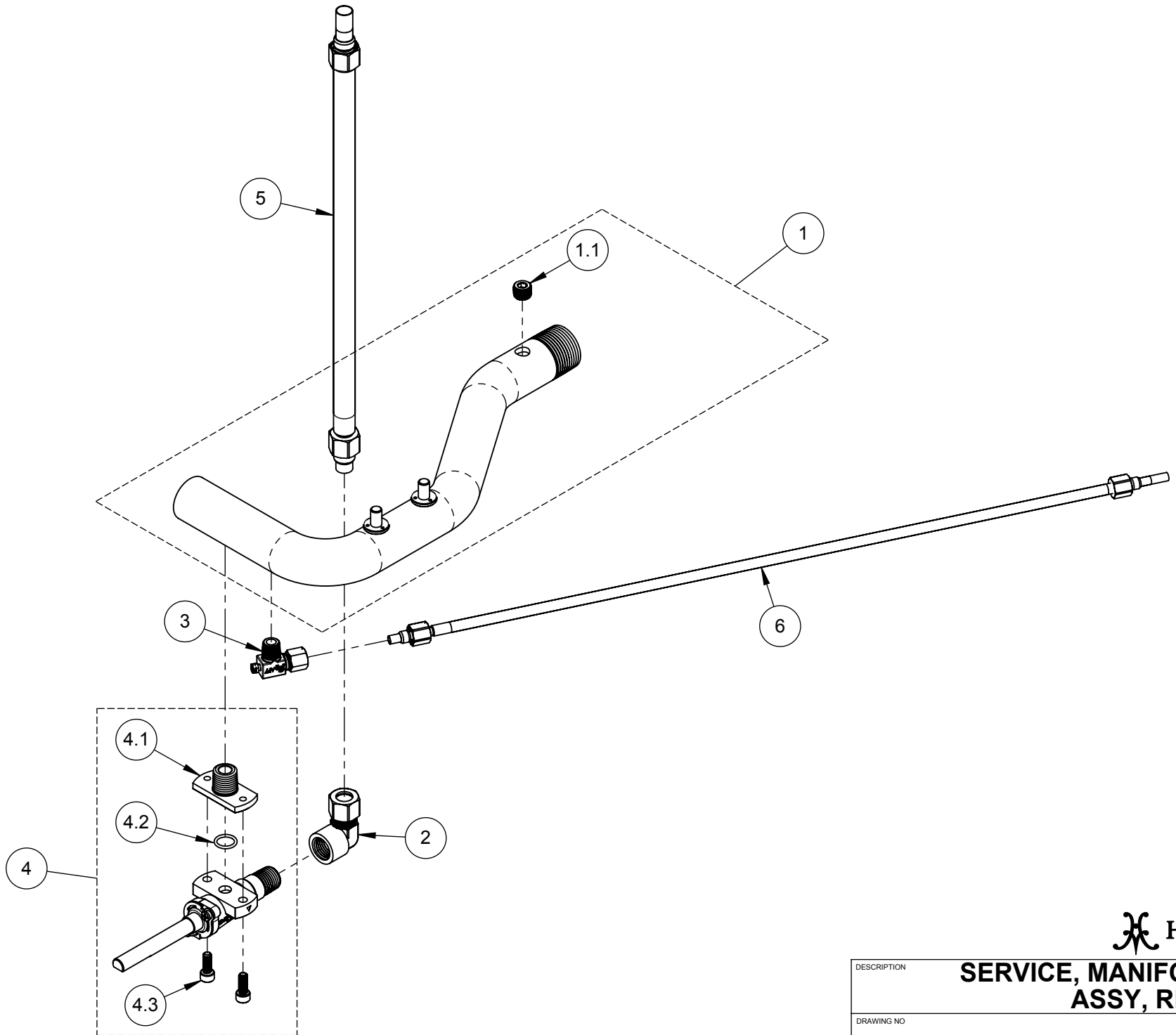
**SERVICE, ASSY, TOP, CM,
DUAL BURNER**

| | |
|-------------|-----------|
| DESCRIPTION | A1 |
| DRAWING NO | |

A1 - TOP, DUAL BURNER - CHEESEMELTER

| Item No. | Part No. | DESCRIPTION | HCMS48 | HCMS54 | HCMS60 | HCMS72 |
|----------|------------------------|--|--------|--------|--------|--------|
| | | | QTY | QTY | QTY | QTY |
| 1 | 013132 | SHIELD, PILOT, SM/CM | 2 | 2 | 2 | 2 |
| 2 | 010237 | SERVICE, MS, 10-24 X 1/4, HEXHD, SS, PKG 6 | 4 | 4 | 4 | 4 |
| 3 | 007785 | PANEL W/INDICATOR, CONTROL, CM, 48" | 1 | - | - | - |
| | 008687 | PANEL W/INDICATOR, CONTROL, CM, 54" | - | 1 | - | - |
| | 007959 | PANEL W/INDICATOR, CONTROL, CM, 60" | - | - | 1 | - |
| | 004247 | PANEL W/INDICATOR, CONTROL, CM, 72" | - | - | - | 1 |
| 4 | 013953 | SERVICE, MS, 8-32 X .375, PH, FLT, UC, SS, PKG 12 | 1 | 1 | 1 | 1 |
| 5 | 001842 | LOGO, HESTAN, 2.125 x 1.56 | 1 | 1 | 1 | 1 |
| 6 | 014439 | SERVICE, RETAINING RING, EXTERNAL, .125" DIAMETER SHAFT, PKG 4 | 1 | 1 | 1 | 1 |
| 7 | 003942 | DEFLECTOR, HEAT, CM, 48" | 1 | - | - | - |
| | 008685 | DEFLECTOR, HEAT, CM, 54" | - | 1 | - | - |
| | 008435 | DEFLECTOR, HEAT, CM, 60" | - | - | 1 | - |
| | 002412 | DEFLECTOR, HEAT, CM, 72" | - | - | - | 1 |
| 8 | 003915 | PANEL, UNDER, SIDE, SM/CM, 24" | 2 | - | - | - |
| | 008710 | PANEL, UNDER, SIDE, CM, 54" | - | 2 | - | - |
| | 008437 | PANEL, UNDER, SIDE, CM, 30" | - | - | 2 | - |
| | 001579 | PANEL, UNDER, SIDE, SM/CM | - | - | - | 2 |
| 9 | 003916 | PANEL, UNDER, CENTER, CM, 48" | 2 | - | - | - |
| | 008711 | PANEL, UNDER, CENTER, CM, 54" | - | 2 | - | - |
| | 008439 | WELMT, SUPPORT, STRUCTURAL, MID-SPAN, CM, 60" | - | - | 1 | - |
| | 002485 | PANEL, UNDER, CENTER, CM, 72" | - | - | - | 2 |
| 10 | 013962 | SERVICE, MS, 10-24 X .25, PH, PAN, ZN, PKG 8 | 2 | 2 | 1 | 2 |
| 11 | 008621 | ASSY, BAFFLE, LH, TOP, SM/CM, 24" | 2 | 2 | - | - |
| | 008495 | WELDMENT, BAFFLE, LH, TOP, CM, 30" | - | - | 1 | - |
| | 008546 | ASSY, BAFFLE, LH, TOP, SM/CM | - | - | - | 2 |
| 12 | 002185 | BURNER, INFRARED, INCONEL, B15 | 2 | 2 | - | - |
| | 000677 | BURNER, INFRARED, INCONEL, B30 | - | - | 2 | 2 |
| 13 | 006822 | WELDMENT, COVER, PILOT, SM/CM | 2 | 2 | 2 | 2 |
| 14 | 002213 | PANEL, TOP, CM, 48" | 1 | - | - | - |
| | 008694 | PANEL, TOP, CM, 54" | - | 1 | - | - |
| | 008058 | PANEL, TOP, CM, 60" | - | - | 1 | - |

| Item No. | Part No. | DESCRIPTION | HCMS48 | HCMS54 | HCMS60 | HCMS72 |
|----------|------------|--|--------|--------|--------|--------|
| | | | QTY | QTY | QTY | QTY |
| | 002635 | PANEL, TOP, CM, 72" | - | - | - | 1 |
| 15 | 013961 | SERVICE, MS, 10-24 X .313, PH, PAN, SS, PKG 15 | 2 | 2 | 2 | 2 |
| 16 | 014154 | SERVICE, SHIELD, SWITCH/MODULE, PKG 2 | 2 | 2 | 2 | 2 |
| 17 | 000150 | KNOB ASSY., ON-OFF, 85% | 2 | 2 | 2 | 2 |
| 17.1 | 014300 | SERVICE, SETSCREW, #10-24 X .875, CUP PT., SS, PKG 6 | 1 | 1 | 1 | 1 |
| 18 | 008620 | ASSY, BAFFLE, RH, TOP, SM/CM, 24" | 2 | 2 | - | - |
| | 008494 | WELDMENT, BAFFLE, RH, TOP, CM, 30" | - | - | 1 | - |
| | 008544 | ASSY, BAFFLE, RH, TOP, SM/CM | - | - | - | 2 |
| 19 | 014179 | SERVICE, ELBOW W/PNL NUT, ORIFICE, IR BURNER, KIT | 2 | 2 | 2 | 2 |
| 20 | 014155 | SERVICE, NUT, 1/4-20, ZN, PKG 4 | 1 | 1 | 1 | 1 |
| 21 | 006511 | BELL, REDUCER, 3/4 X 1/2 NPT | 2 | 2 | 2 | 2 |
| 22 | 009445 | ELBOW, 90° ADAPTER, 1/2 NPTM TO 1/2 CC | 1 | 1 | 1 | 1 |
| 23 | 009444 | TEE, 1/2 CC X 1/2 NPTM | 1 | 1 | 1 | 1 |
| 24 | 005915 | HOSE, FLEX, 1/2" OD, 36" | - | - | - | - |
| | 006073 | HOSE, FLEX, 1/2" OD, 48" | - | - | - | 2 |
| 25 | 006644 | BUSHING, HEX REDUCING, 3/4 NPTM X 1/2 NPTF | - | - | - | 1 |
| 26 | 009446 | HOSE, FLEX, 1/2" OD, 60" | 1 | - | - | - |
| | 009462 | HOSE, FLEX, 1/2" OD, 72" | - | 1 | 1 | - |
| 27 | 009560 | UNION, 1/2 CC X 1/2 CC, BRASS | - | - | - | 1 |
| 28 | 013389 | SERVICE, HB, 1/4-20 X .625, ZN, PKG 8 | - | - | 1 | - |
| 29 | 003007 | VALVE, BALL, T-HANDLE, 3/4" NPT | - | - | - | - |
| 30 | 009475 | ELBOW, 90° ADAPTER, 3/4 NPTM TO 1/2 CC | - | - | - | - |
| 31 | 009477 | TEE, 1/2 CC | - | - | - | - |
| 32 | 003896 | HOSE, FLEX, 1/2" OD, 12" | - | - | - | - |
| 33 | 002865-047 | ORIFICE, SPUD **NG STANDARD** | X | X | - | - |
| | 002865-043 | ORIFICE, SPUD **NG STANDARD** | - | - | X | - |
| | 002865-041 | ORIFICE, SPUD **NG STANDARD** | - | - | - | X |
| | 002865-055 | ORIFICE, SPUD **LP STANDARD** | X | X | - | - |
| | 002865-053 | ORIFICE, SPUD **LP STANDARD** | - | - | X | - |
| | 002865-052 | ORIFICE, SPUD **LP STANDARD** | - | - | - | X |
| 34 | 014185 | SERVICE, PILOT ASSY., RIGHT ANGLE, 5C-2, LP, KIT | 2 | 2 | 2 | 2 |
| | 014180 | SERVICE, PILOT ASSY., RIGHT ANGLE, 5C-2, NG, KIT | 2 | 2 | 2 | 2 |




HESTAN

**SERVICE, MANIFOLD, GAS
 ASSY, RH, SM/CM**

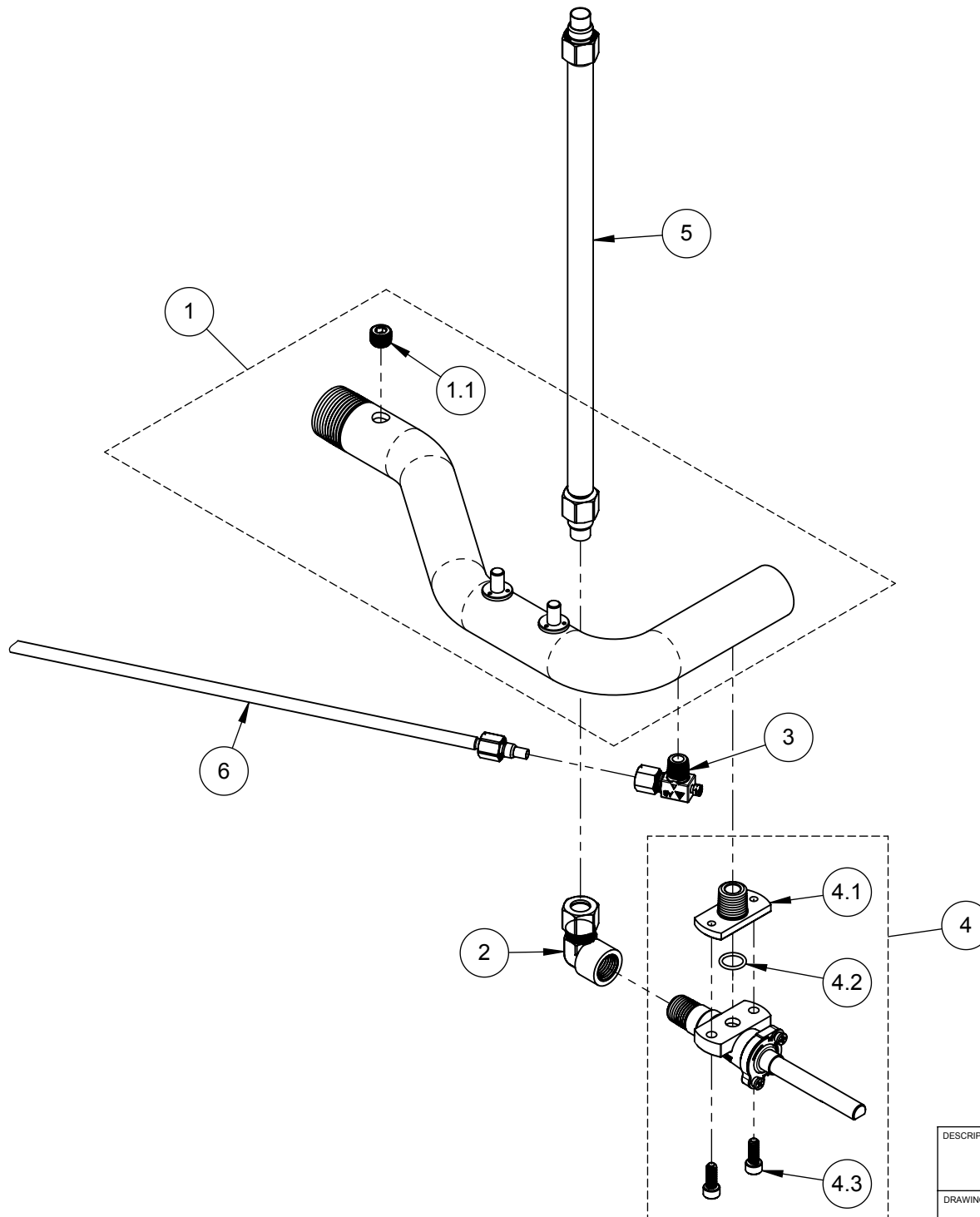
DESCRIPTION

DRAWING NO

B1

B1 - GAS MANIFOLD ASSEMBLY, RIGHT - CHEESEMELTER

| | | | HCM__ |
|----------|----------|--|-------|
| Item No. | Part No. | DESCRIPTION | QTY |
| 1 | 004122 | ASSY, MANIFOLD, RH, SM/CM | 1 |
| 1.1 | 000360 | PLUG, HEX SOCKET, 1/8" NPT | 1 |
| 2 | 002321 | ELBOW, ADAPTER, 1/4 NPT FEMALE X 3/8 CC | 1 |
| 3 | 000113 | VALVE, PILOT, 1/8NPT x 3/16 COMP., ELBOW | 1 |
| 4 | 015662 | KIT, VALVE, ON-OFF, FLANGE-MOUNT, A23-F | 1 |
| 4.1 | 004643 | FLANGED NIPPLE, 1/4"NPT | 1 |
| 4.2 | 014103 | SERVICE, O-RING, FLANGED NIPPLE, PKG 6 | 1 |
| 4.3 | 012750 | SERVICE, SHCS, #10-24 X .500, SS, PKG 6 | 1 |
| 5 | 005682 | HOSE, FLEX, 3/8 OD, 12", F-F, NUT/FERRULE | 1 |
| 6 | 005688 | HOSE, FLEX, 3/16 OD, 18", F-F, NUT/FERRULE | 1 |




HESTAN

**SERVICE, MANIFOLD, GAS
 ASSY, LH, CM**

DESCRIPTION

DRAWING NO

B2

B2 - GAS MANIFOLD ASSEMBLY, LEFT - CHEESEMELTER

| | | | HCM__ |
|----------|----------|--|-------|
| Item No. | Part No. | DESCRIPTION | QTY |
| 1 | 004123 | ASSY, MANIFOLD, LH, CM | 1 |
| 1.1 | 000360 | PLUG, HEX SOCKET, 1/8" NPT | 1 |
| 2 | 002321 | ELBOW, ADAPTER, 1/4 NPT FEMALE X 3/8 CC | 1 |
| 3 | 000113 | VALVE, PILOT, 1/8NPT x 3/16 COMP., ELBOW | 1 |
| 4 | 015662 | KIT, VALVE, ON-OFF, FLANGE-MOUNT, A23-F | 1 |
| 4.1 | 004643 | FLANGED NIPPLE, 1/4"NPT | 1 |
| 4.2 | 014103 | SERVICE, O-RING, FLANGED NIPPLE, PKG 6 | 1 |
| 4.3 | 012750 | SERVICE, SHCS, #10-24 X .500, SS, PKG 6 | 1 |
| 5 | 005682 | HOSE, FLEX, 3/8 OD, 12", F-F, NUT/FERRULE | 1 |
| 6 | 005688 | HOSE, FLEX, 3/16 OD, 18", F-F, NUT/FERRULE | 1 |