

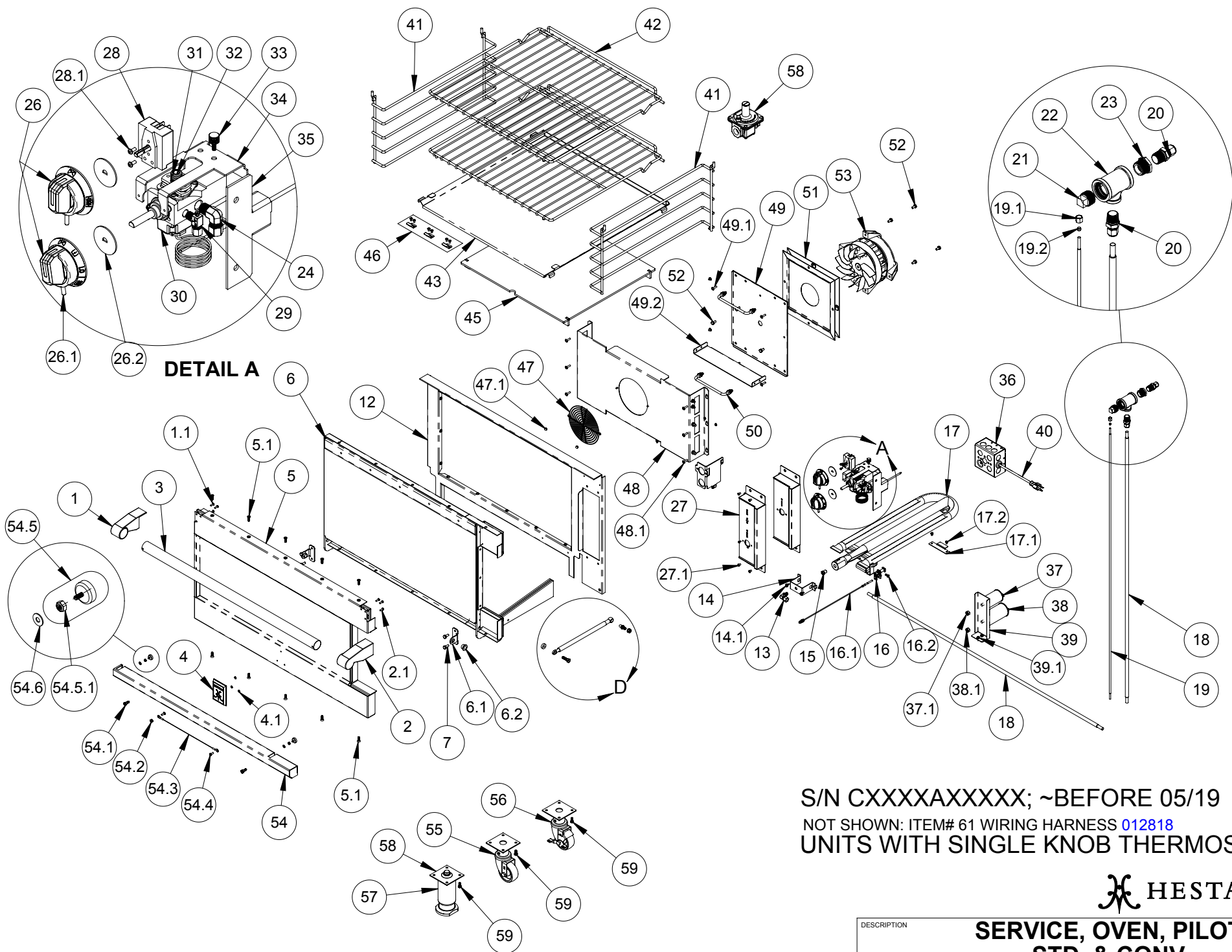
Commercial Service Parts

OVEN (HXOP)

Hestan Commercial Corporation
3375 E. La Palma Ave.
Anaheim, CA 92806
(888) 905-7463

RETAIN THIS FOR FUTURE REFERENCE

Revised: Nov 2, 2023
Rev. F

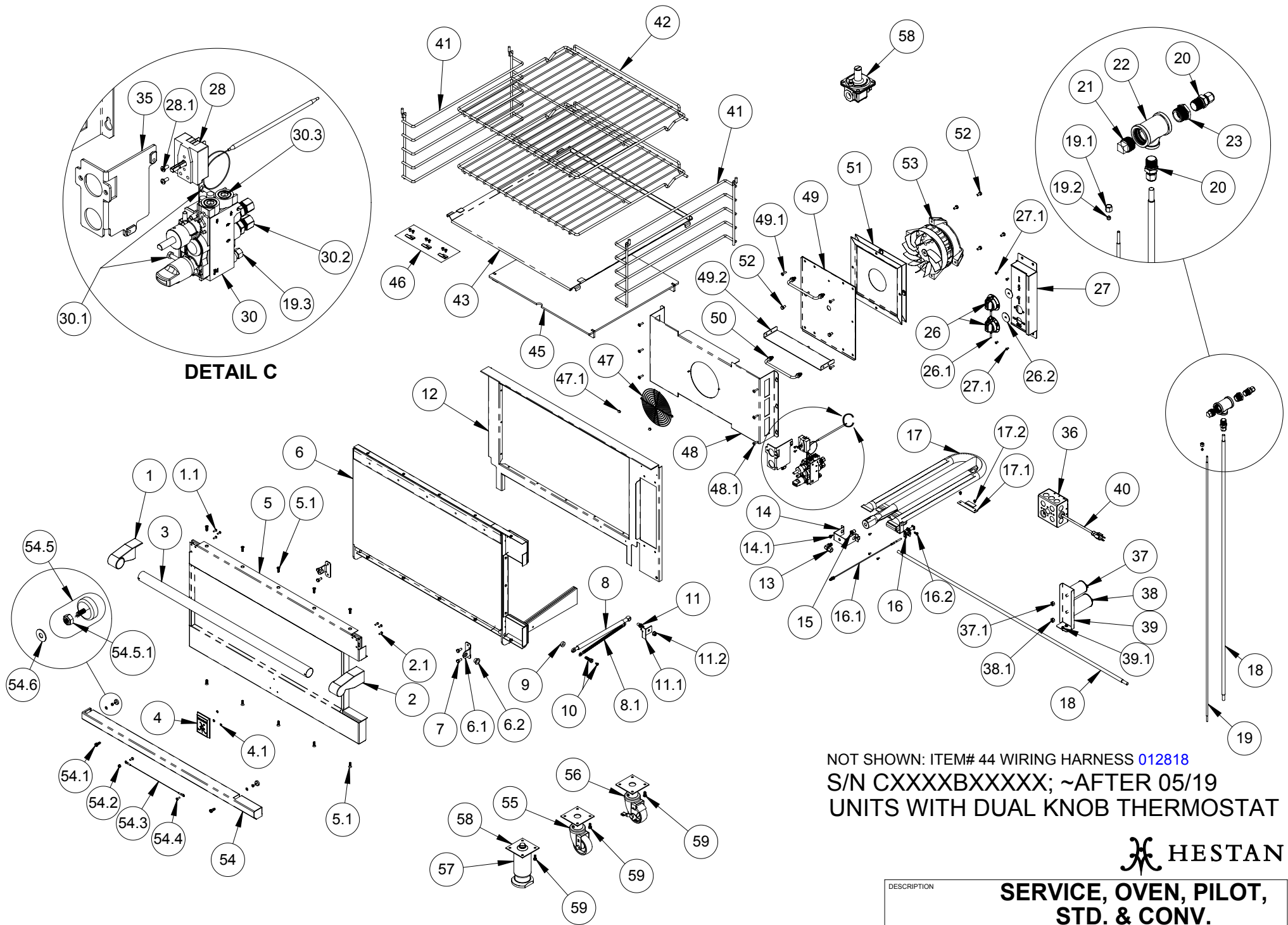


DETAIL A

S/N CXXXXAXXXX; ~BEFORE 05/19
 NOT SHOWN: ITEM# 61 WIRING HARNESS 012818
 UNITS WITH SINGLE KNOB THERMOSTAT

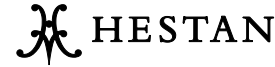


DESCRIPTION	SERVICE, OVEN, PILOT, STD. & CONV.
DRAWING NO	HXOP36-SERVICE



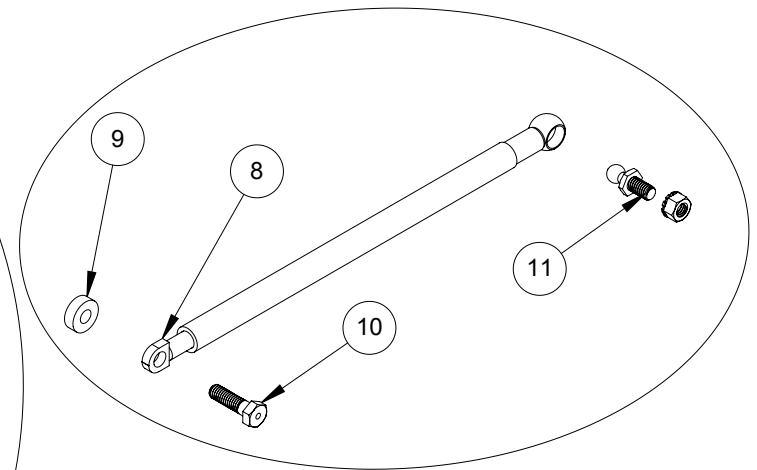
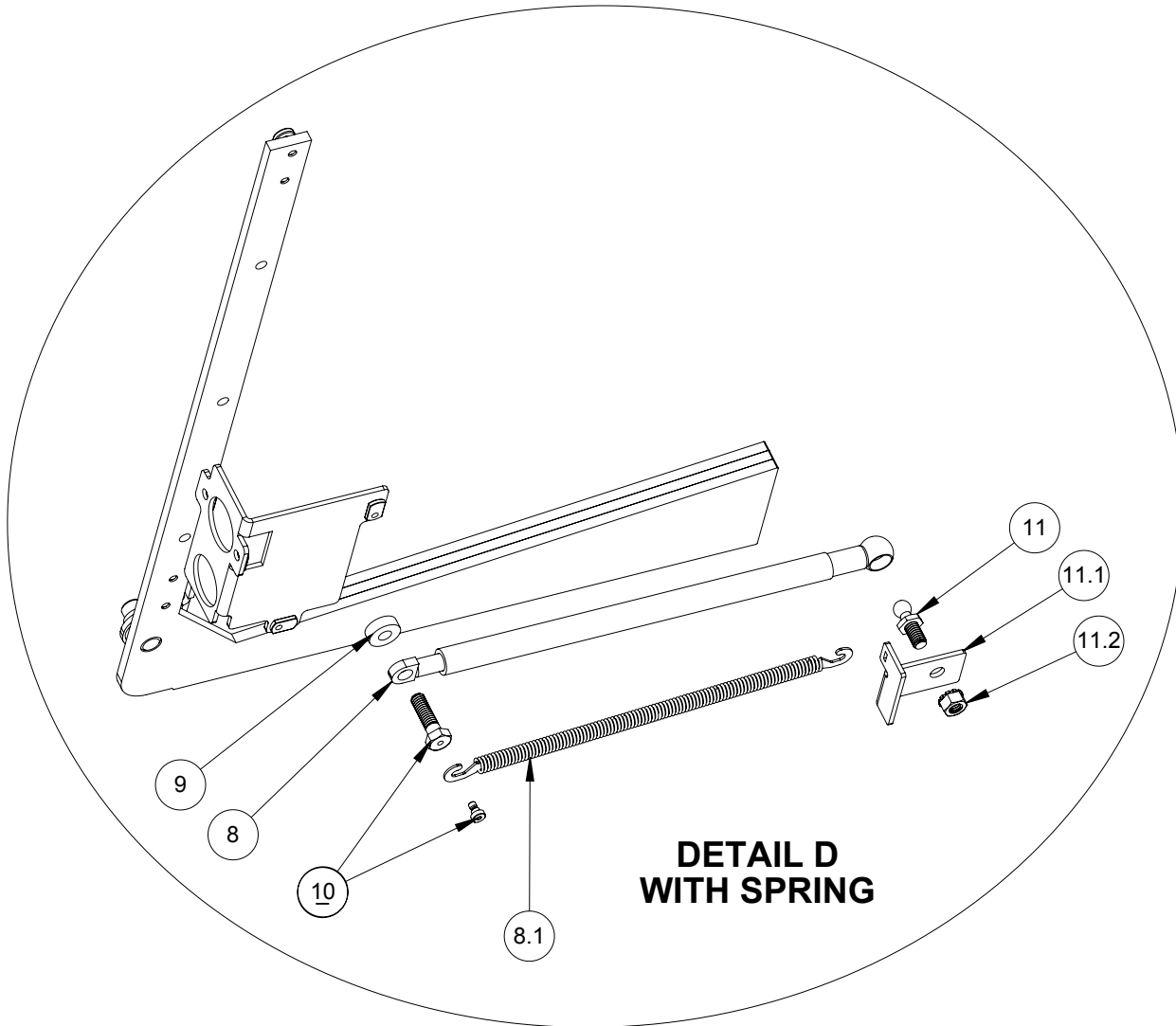
DETAIL C

NOT SHOWN: ITEM# 44 WIRING HARNESS 012818
 S/N CXXXXBXXXX; ~AFTER 05/19
 UNITS WITH DUAL KNOB THERMOSTAT



DESCRIPTION	SERVICE, OVEN, PILOT, STD. & CONV.
DRAWING NO	HXOP36-SERVICE

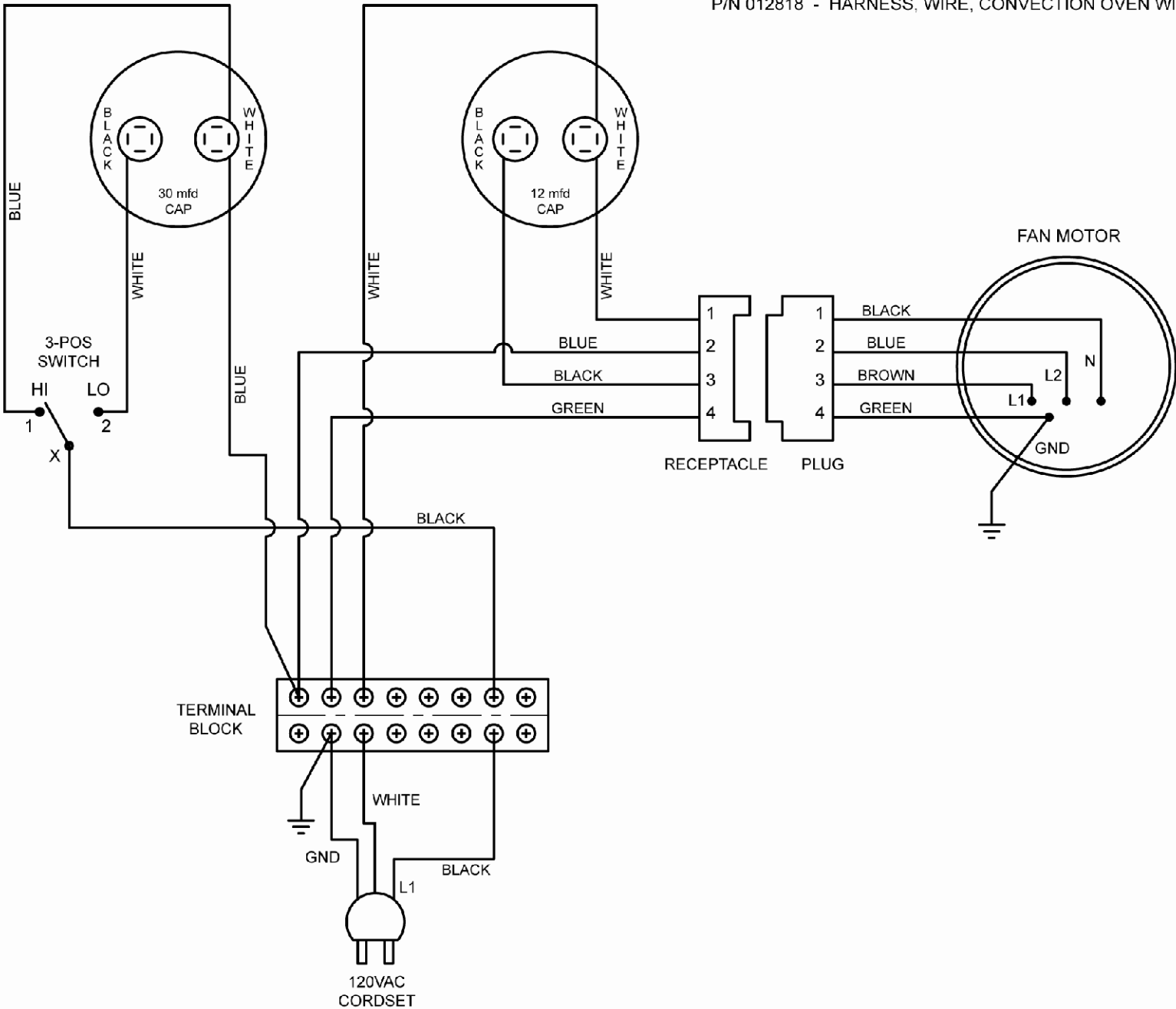
Orifices and pilots					
thermostat	fuel	sea level to 1999 ft	2000 - 5999 ft	6000-10000 ft	pilot
Maxitrol (dual knob pilot)	NG	000293-031	000293-032	000293-036	001831
	LP	000293-050	000293-051	000293-052	006035
Teddington (single knob control)	NG	000293-032	000293-035	000293-037	001831
	LP	000293-052	000293-053	000293-054	006035



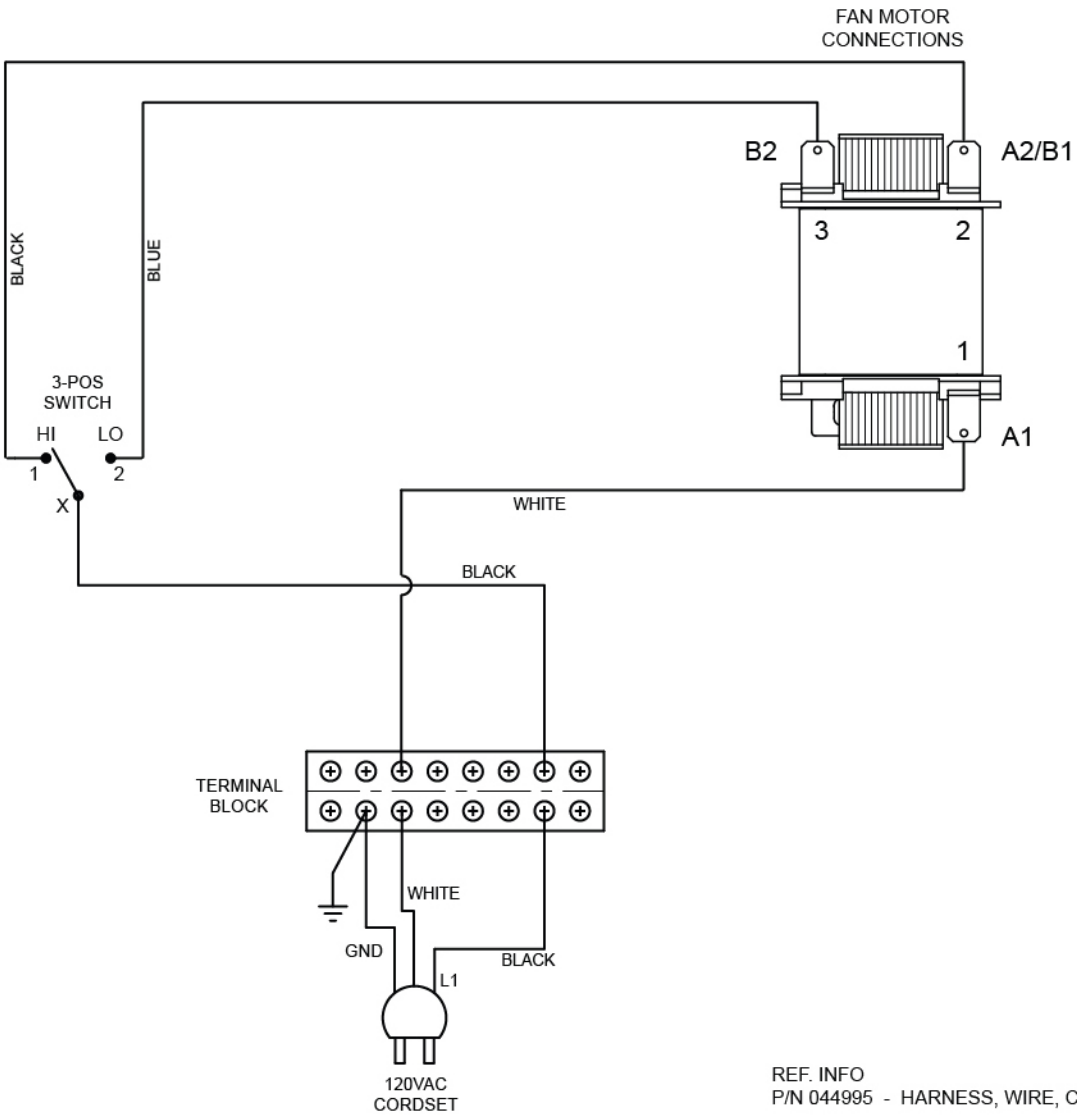
DAMPER AND SPRING  HESTAN

DESCRIPTION	SERVICE, OVEN, PILOT, STD. & CONV.
DRAWING NO	HXOP36-SERVICE

REF. INFO
P/N 012818 - HARNESS, WIRE, CONVECTION OVEN WITH PILOT



CONVECTION OVEN WITH PILOT



CONVECTION OVEN w/ PILOT

REF. INFO
 P/N 044995 - HARNESS, WIRE, CONVECTION OVEN WITH PILOT

OVEN, STD. & CONV. (PILOT) - SERVICE PARTS LIST

Item No.	Part No.	DESCRIPTION	HCOP36	HSOP36
			QTY	QTY
1	000114	ENDCAP, HANDLE, LH, OVEN DOOR	1	1
	015238	ENDCAP, HANDLE, LH, OVEN DOOR (straight)	1	1
1.1	011710	SERVICE, MS, 8-32 X .5, PH, PAN, SS, PKG 12	1	1
2	000115	ENDCAP, HANDLE, RH, OVEN DOOR	1	1
	015239	ENDCAP, HANDLE, RH, OVEN DOOR (straight)	1	1
2.1	011710	SERVICE, MS, 8-32 X .5, PH, PAN, SS, PKG 12	1	1
3	000284	HANDLE, DOOR, OVEN	1	1
4	024252	SERVICE, LARGE HESTAN LOGO W/ RETAINING RINGS	1	1
4.1	014439	SERVICE, RETAINING RING, EXTERNAL, .125" DIA. SHAFT, PKG 4	1	1
5	000328	W/A, FRONT, DOOR, OVEN	1	1
5.1	014549	SERVICE, MS, 1/4-20 X .75, PH, CSK, SS, PKG 6	2	2
6	007099	W/A, INSULATION, DOOR, OVEN	1	1
6.1	000290	BRACKET, MOUNTING, HINGE, DOOR, OVEN	2	2
6.2	000857	BEARING, FLANGE, BRONZE	2	2
7	013389	SERVICE, HB, 1/4-20 X .625, ZN, PKG 8	1	1
8	001077	DAMPER, HYDRAULIC, OVEN DOOR	1	1
8.1	013986	SPRING, EXTENSION, 30/36/42	1	1
9	004768	SPACER, UNTHREADED, ALUMINUM, 3/4 X 1/2"	1	1
10	004769	SCREW, CAP, PARTIAL THREAD, 5/16-18 X 1.375, SS	1	1
	024363	HEX BOLT W/ SHOULDER, SS, FOR OVEN ARM DOOR & SPRING	1	1
11	014553	SERVICE, BALL STUD, MALE, 5/16-18, 10 MM, PKG 4	1	1
11.1	022039	BRACKET, SPRING, OVEN	1	1
11.2	009200	NUT, KEPS, 5/16-18, SS	1	1
12	001247	ASSEMBLY, FRAME, OVEN	1	1
13	000917	HOLDER, ORIFICE, BULKHEAD, SMALL	1	1
14	000372	ORIFICE HOLDER, OVEN	1	1
14.1	014381	SERVICE, SMS, TEK, #10 X 1/2", ZN, PKG 6	1	1
15		HOOD ORIFICE --> see drawing of exploded damper/spring	1	1
16	001831	PILOT ASSY, RIGHT ANGLE, 5CL-2 NG	1	1

Item No.	Part No.	DESCRIPTION	HCOP36 QTY	HSOP36 QTY
16	006035	PILOT ASSY, RIGHT ANGLE, 5CL-2 LP	1	1
16.1	008009	THERMOCOUPLE, PUSH-IN, 48"	1	1
16.2	010174	SERVICE, MS, 10-32 X 1/2, PH, PAN, SS, PKG 4	1	1
17	001978	W/A, BURNER, OVEN	1	1
17.1	005686	CLAMP, HOLD-DOWN, BURNER	1	1
17.2	010237	SERVICE, MS, 10-24 X 1/4, HEX HEAD, SS, PKG 6	1	1
18	005876	HOSE, FLEX, 3/8 OD, 48", F-F, NUT/FERRULE	2	2
19	012964	HOSE, FLEX, 3/16 OD, 48"	1	1
19.1	004824	NUT, 3/16 COMP., FLEX HOSE	1	1
19.2	004827	FERRULE, 3/16 COMP., FLEX HOSE	2	2
19.3	029089	FITTING, LOXIT, 3/16", 7/16"-24 THREAD	1	1
20	002934	ADAPTER, STRAIGHT, 1/2 NPT X 3/8" CC	2	2
21	002936	PLUG, SQUARE HEAD, 3/4 NPT"	1	1
22	005520	TEE, INLINE REDUCING, 3/4 X 1/2 NPT	1	1
	016543	TEE, INLINE REDUCING, 1 X 1/2 NPT	1	1
23	006644	BUSHING, HEX REDUCING, 3/4 NPTM X 1/2 NPTF	1	1
24	001152	ELBOW, 1/4 MNPT X 3/8 COMP.	1	1
25	002321	ELBOW, ADAPTER, 1/4 NPT FEMALE X 3/8 CC	1	1
26	001340	KNOB ASSY, GRIDDLE TEMP, 85% (early control)	1	1
	026429	KNOB ASSY, GRIDDLE TEMP, 85% (Maxitrol)	1	1
	002645	KNOB ASSY, CONV. FAN, 85%	1	-
26.1	014300	SERVICE, SETSCREW, #10-24 X .875, CUP PT, SS, PKG 6	1	1
26.2	004029	SHIELD, SWITCH/MODULE	2	1
27	001641-XX	ASSEMBLY, CONTROL, OVEN, CONVECTION (early)	1	-
	029596-XX	ASSEMBLY, CONTROL, OVEN, CONVECTION, MAXITROL	1	-
	000989-XX	ASSEMBLY, CONTROL, OVEN, STANDARD (early)	-	1
	029590-XX	ASSEMBLY, CONTROL, OVEN, STANDARD, MAXITROL	-	1
27.1	011692	SERVICE, MS, 10-24 X 3/8, PH, FLT, SS, PKG 4	1	1
28	002636	SWITCH, ROTARY, CONV. FAN	1	-
28.1	014554	SERVICE, MS, 6-32 X .312, PH, PAN, SS, PKG 6	1	-
29	000113	VALVE, PILOT, 1/8 NPT X 3/16 COMP., ELBOW	1	1
30	033080	SERVICE, KIT, THERMOSTAT, OVEN WITH PILOT, TEDDINGTON	1	1

			HCOP36	HSOP36
Item No.	Part No.	DESCRIPTION	QTY	QTY
30	033081	SERVICE, KIT, THERMOSTAT, OVEN WITH PILOT, MAXITROL	1	1
30.1	031865	SERVICE, MS, 10-24 X 1, HEXHD, SS, PKG 4	2	2
30.2	015908	ADAPTER, STRAIGHT, 3/8 NPT TO 3/8 CC	2	2
30.3	014123	PLUG, HEX SOCKET, 3/8" NPT	2	2
31	014103	SERVICE, O-RING, FLANGED NIPPLE, PKG 6 (early)	1	1
32	004643	FLANGED NIPPLE, 1/4" NPT (early)	1	1
33	014690	SERVICE, SCREW, THUMB, KNURLED, 10-32 X .5, SS, PKG 3 (early)	1	1
34	011122	RETAINER, THERMOSTAT, OVEN WITH PILOT (early)	1	1
35	011113	BRACKET, THERMOSTAT, OVEN WITH PILOT (early)	1	1
	026486	BRACKET, THERMOSTAT, OVEN WITH PILOT (Maxitrol v1)	1	1
	032552	BRACKET, THERMOSTAT, OVEN WITH PILOT, MAXITROL, CONVERSION, WA (Maxitrol v2)	1	1
36	004147	BOX, OUTLET, .400 SQ, 2.19 DEEP	1	-
37	003456	CAPACITOR, 12UF, CONVECTION OVEN	1	-
37.1	014558	SERVICE, NUT, HEX, M8 X 1.25MM, ZN, PKG 6	1	-
38	003458	CAPACITOR, 30UF, CONVECTION OVEN	1	-
38.1	014558	SERVICE, NUT, HEX, M8 X 1.25MM, ZN, PKG 6	1	-
39	012138	BRACKET, CAPACITOR, OVEN WITH PILOT	1	-
39.1	014381	SERVICE, SMS, TEK, #10 X 1/2", ZN, PKG 6	1	-
40	005869	CORD, POWER, 9FT, 3 BLADE PLUG	1	1
41	005881	WELD ASSEMBLY, OVEN RACK	2	2
42	000716	RACK, OVEN, 36"	2	2
43	000549	PAN, BOTTOM, OVEN	1	1
44	012818	HARNESS, WIRE, CONVECTION OVEN WITH PILOT	1	-
45	009964	ASSEMBLY, BOTTOM, OVEN	1	1
46	033934	SERVICE, KIT, Z BRACKET, DRIP TRAY, OVEN	1	1
47	004144	GUARD, FAN, SS, 5.91"	1	-
47.1	011709	SERVICE, NUT, ACORN, 8-32 X 5/16", SS, PKG 6	1	-
48	005940	ASSEMBLY, PANEL, BACK, CAVITY, CO	1	-
	000541	PANEL, BACK, CAVITY, STANDARD	-	1
48.1	012252	SERVICE, MS, 10-24 X .750, PH, TRUSS, SS, PKG 2	3	3
49	001493	PLATE, MOUNTING, MOTOR, CONVECTION	1	-
	002075	PLATE, COVER, OVEN, STANDARD	-	1

			HCOP36	HSOP36
Item No.	Part No.	DESCRIPTION	QTY	QTY
49.1	012252	SERVICE, MS, 10-24 X .750, PH, TRUSS, SS, PKG 2	2	2
49.2	006103	SHIELD, AIR, OVEN, CONVECTION	1	-
50	001496	HANDLE, ASSEMBLY, MOTOR, CONVENTION	2	-
51	016296	MOUNTING, MOTOR, CONVECTION, W/A	1	-
52	013303	SERVICE, HB, 1/4-20 X .50, ZN, PKG 8	1	-
53	001481	MOTOR, FLOWER, OVEN, CONVENTION	1	-
54	004466	ASSEMBLY, KICK PLATE, OVEN	1	1
54.1	034234	SERVICE, SB, 1/4-20 X 5/16 DIA X 1/4L, SS, PKG 2	1	-
54.2	034235	SERVICE, NUT, NYLOK, #10-24, SS, PKG 4	1	1
54.3	017414	WIRE ROPE LANYARD, 12" EYE-TO-EYE, 3/64" DIA ROPE, SS UNCOATED	1	1
54.4	001545	SERVICE, MS, 10-24 X 1/2, PH, PAN, SS, PKG 6	1	1
54.5	015371	SERVICE, MAGNET, 3/4 DIA, KIT	1	1
54.5.1	034195	SERVICE, NUT, NYLOK, #6-32, SS, PKG 4	1	1
54.6	010202	SERVICE, WSH, FLAT, #8 (.174 X .438 X .031), SS, PKG 6	1	1
55	000486	CASTER, SWIVEL, ADJUSTABLE, 3", W/O BRAKE	2	2
56	001227	CASTER, SWIVEL, ADJUSTABLE, 3", W/ BRAKE	2	2
57	000428	ADJUSTABLE LEG, 6"	4	4
58	000267	PLATE, MOUNTING, LEG	4	4
59	013958	SERVICE, HB, 1/4-20 X 1.0, SS, PKG 8	4	4
60	002965	REGULATOR, STRAIGHT-THRU, 3/4"NPT, NG	1	1
	004161	REGULATOR, STRAIGHT-THRU, 3/4"NPT, LP	1	1
	004163	REGULATOR, STRAIGHT-THRU, 1"NPT, NG	1	1
	004162	REGULATOR, STRAIGHT-THRU, 1"NPT, LP	1	1
61	015530	FAN, CONVECTION, 36" RANGE (AFTER 09/22)	1	-
62	017917	BLADE, CONV FAN, 155MM (AFTER 09/22)	1	-
63	017918	NUT, HEX, 1/4-28, CONV FAN, RANGE (AFTER 09/22)	1	-
64	018860	WASHER, FLAT, M6 (AFTER 09/22)	1	-
65	044995	HARNESS, WIRE, CONVECTION OVEN WITH PILOT, SMALL MOTOR (AFTER 09/22) - (NOT SHOWN)	1	-